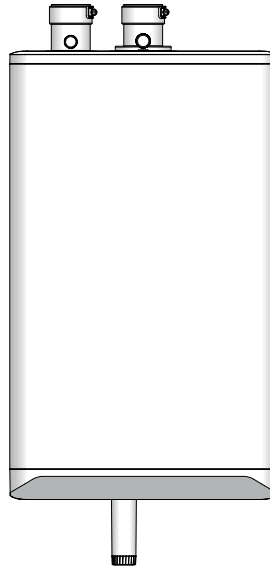


HIGH EFFICIENCY CONDENSING TANKLESS WATER HEATER

199,000 Btu/hr Model

(Natural Gas or Propane)



WARNING: If the information in this manual is not followed exactly, a fire or explosion may result causing property damage, personal injury, or loss of life.

Do not store or use gasoline or other flammable vapors and liquids or other combustible materials in the vicinity of this or any other appliance.

WHAT TO DO IF YOU SMELL GAS:

- Do not try to light any appliance.
- Do not touch any electrical switch; do not use any phone in your building.
- Immediately call your gas supplier from a neighbor's phone. Follow the gas supplier's instructions.
- If you cannot reach your gas supplier, call the fire department.

Installation and service must be performed by a qualified installer, service agency or the gas supplier.



⚠ WARNING

If the information in this manual is not followed exactly, a fire or explosion may result causing property damage, personal injury, or loss of life.

SAFETY CONSIDERATIONS

Installation, start-up and servicing of the unit must be done with due care and attention, and must only be performed by competent, qualified, licensed and trained heating technicians. Failure to read and comply with all instructions and applicable National and local codes may result in hazardous conditions that could result in property damage and injury to occupants which in extreme cases might result in death.

HAZARDS & PRECAUTIONS**⚠ DANGER**

Points out an imminently hazardous situation which must be avoided in order to prevent serious injury or death.

⚠ WARNING

Points out a potentially hazardous situation which must be avoided to prevent serious injury or death.

⚠ CAUTION

Points out a potentially hazardous situation which must be avoided to prevent possible moderate injury and/or property damage

⚠ NOTE

Points out installation, maintenance and operation details that will result in enhanced efficiency, longevity and proper operation of your unit.

⚠ BEST PRACTICES

Points out recommendations for better installation.


Supplied with the unit - The unit is shipped with an accessory parts kit consisting of the following items:

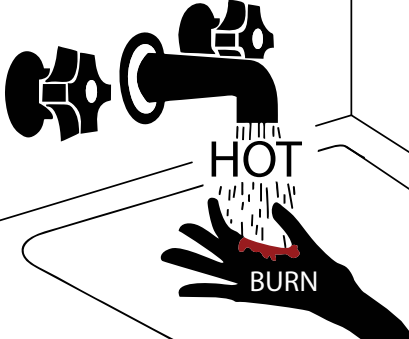
- 1 x Wall Mounting Kit- Part # P-081344
- 1 x Condensate trap assembly
- 1 x Documentation set
- 1 x Propane Conversion Kit: Part # P-081014

SPECIFICATIONS

SPECIFICATION		199,000 BTU
Input (Natural Gas or Propane*) - MBH		28.5-199
U.E.F		0.9
DHW Flow Rate - GPM (LPM)	35°F (19°C) Temp Rise	10.1 (38)
	45°F (25°C) Temp Rise	7.9 (30)
	67°F (36°C) Temp Rise	5.4 (20)
Dimensions - in/mm	17.7 x 29.8 x 10.9 (450 x 757 x 277)	
Weight (empty) - lbs/Kg		68 / 31
Installation Type	Indoor only wall-hung	
Venting Type		Forced Draft Direct Vent
		Electronic Ignition
Water Pressure - psig		40 - 150
Min Gas Pressure (Nat. Gas or Propane*) - inch w.c.		4
Max Gas Pressure (Nat. Gas or Propane*) - inch w.c.		14
Minimum Flow Rate to activate DHW heating - GPM (LPM)		0.5 (1.9)
Connection Sizes	Cold Water Inlet	3/4" Male NPT
	Hot Water Outlet	3/4" Male NPT
	Gas Inlet	3/4" Male NPT
Pressure Vessel water content – USG/Liters		0.19 / 0.72
Ambient Temperature – Low (°F/°C)		32 / 0
Ambient Temperature – High (°F/°C)		122 / 50
Max relative humidity (non-condensing)		90%
Min water Temperature – Domestic Hot Water (°F/°C)		105 / 40
Max water Temperature – Domestic Hot Water (°F/°C)		149 / 65
Power Supply	Main Supply	120Vac, 60Hz
	Watts @ full fire	100 watts
Materials	Casing	Painted steel and plastic
	Heat Exchangers	Copper tubes in AL block
Venting	Intake & Exhaust	2" or 3" PVC, CPVC, Polypropylene
Canada venting must meet ULC S636		
Venting Clearances		0" to combustibles
Safety Devices		Flame Proving module, Flue Gas Temperature Sensor, Protective fuse
Certified design		ANSI Z21.10.3 • CSA 4.3
Freeze Protection		Yes

* Units ship configured for Natural Gas (NG) with a Propane (LP) conversion kit included. Converting an LP unit back to NG requires the certified NG conversion kit that can be ordered separately.


DANGER



- Water temperature over 125°F (52°C) can cause severe burns instantly or death from scalds.
- Children, disabled, and elderly are at highest risk of being scalded.
- See instruction manual before setting temperature at water heater.
- Feel water before bathing or showering.
- Temperature limiting valves are available, see manual.

TIME/TEMPERATURE RELATIONSHIP IN SCALDS	
WATER TEMPERATURE	TIME TO PRODUCE A SERIOUS BURN
120°F (49°C)	More than 5 minutes
125°F (52°C)	1 ½ to 2 minutes
130°F (54°C)	About 30 seconds
135°F (57°C)	About 10 seconds
140°F (60°C)	Less than 5 seconds
145°F (63°C)	Less than 3 seconds
150°F (66°C)	About 1 ½ seconds
155°F (68°C)	About 1 second

Table courtesy of Shriners Burn Institute

WATER HEATER INSTALLATION GUIDELINES


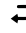
WARNING

- This unit must be installed in accordance with local codes, if any; if not follow the National Fuel Gas Code, ANSI Z223.1/NFPA 54, or the Natural Gas and Propane Installation Code, CAN/CSA B149.1, as applicable.
- Failure to correctly install and operate this appliance can result in severe personal injury or death.
- The unit shall have a pressure relief valve installed within 6" [152mm] of the DHW HOT outlet connection.
Refer to the unit's User Manual before operating the relief valve.
- The unit requires a pressure relief valve identified with the ASME V or HV symbol and set to relieve at or below 150psi of domestic water pressure and a minimum relieving capacity of 199,000 Btu/hr with 3/4" NPT threads. For safe operation of the unit, the relief valve must not be removed from its designated point of installation or plugged.
- Read and follow warnings and instructions.

CAUTION

- Hotter water increases the risk of scald injury. Before changing the temperature setting, see instruction manual.

ADJUSTABLE TEMPERATURE SETTING

- Touch the panel above the white dot, then touch the Faucet . Adjust the water temperature with the Plus + and Minus - then touch the Return button  to save the changes.

CONTENTS

1.0 INSTALLATION	1-1
1.1 GENERAL	1-1
1.2 CODE REQUIREMENTS	1-3
1.3 LOCATION	1-3
1.3.1 Mobile Home Installations	1-4
1.3.2 Removing/installing the front panel	1-5
1.4 EXHAUST VENTING AND AIR INTAKE	1-6
1.4.1 Applications	1-10
1.4.2 Exhaust Vent Material	1-10
1.4.3 Vent Travel	1-10
1.4.4 Venting Passage Through Ceiling and Floor	1-12
1.4.5 Rooftop Vent Termination	1-12
1.4.6 Sidewall Vent Termination	1-14
1.4.7 "Direct Vent" Combustion Air Intake Piping	1-18
1.4.8 "Indoor Air" Combustion Air Intake	1-19
1.4.9 Closet Installations	1-19
1.5 CONDENSATE REMOVAL	1-20
1.5.1 Condensate Trap	1-20
1.5.2 Installing the Condensate Trap	1-20
1.5.3 Further Installation Details	1-21
1.6 WATER AND SPACE HEATING APPLICATION	1-22
1.7 DOMESTIC HOT WATER SYSTEM	1-24
1.7.1 Domestic Hot Water System	1-25
1.7.2 Domestic Hot Water Piping	1-26
1.7.3 Tankless Domestic Hot Water with a Storage Tank	1-27
1.8 GAS PIPING	1-29
1.9 ELECTRICAL CONNECTIONS	1-30
1.9.1 120VAC Line Voltage Hook-up	1-30
1.9.2 Accessing Controller Terminal Strip	1-30
1.9.3 Power Quality and Electrical Protection	1-30
2.0 UNIT SYSTEM OPERATION	2-1
2.1 GENERAL	2-1
2.2 CONTROL	2-2
2.3 INSTALLER INTERFACE	2-2
2.3.1 Turning Appliance ON/OFF	2-2
2.3.2 Programming Mode	2-3
2.4 TANKLESS DOMESTIC HOT WATER MODES	2-4
2.4.1 Tankless Domestic Hot Water - Standard and ECO Comfort Modes	2-4
2.5 SEQUENCE OF OPERATION	2-5
2.6 ACCESSING THE INFORMATION MENU	2-6
2.7 RESETTING THE MAINTENANCE COUNTER	2-8
3.0 STARTUP & COMMISSIONING	3-1
3.1 LIGHTING & SHUTTING DOWN THE UNIT	3-1
3.2 PRIOR TO START-UP	3-2
3.2.1 Pre-Ignition Checks	3-2
3.2.2 Test Ignition Safety Shutoff	3-2

3.3 COMMISSIONING	3-2
3.4 FUEL CONVERSION	3-4
3.4.1 Gaining access to combustion chamber, burner removal instructions	3-5
4.0 MAINTENANCE	4-1
4.1 WATER HEATER MAINTENANCE	4-1
4.1.1 General Care	4-1
4.1.2 Inspection	4-1
4.1.3 Venting	4-1
4.1.4 Condensate Trap	4-1
4.1.5 Burner	4-1
4.1.6 Heat Exchanger	4-2
4.1.7 Gas Piping	4-2
4.1.8 Control Module	4-2
4.1.9 Freeze Protection	4-2
4.1.10 Relief Valve - Maintenance and Testing	4-2
4.1.11 Domestic Hot Water System	4-2
4.1.12 DHW Coil cleaning instructions	4-3
4.1.13 DHW Filter cleaning instructions	4-4
4.1.14 Fan removal instructions	4-4
4.1.15 Fan installation instructions	4-4
4.1.16 Cleaning the Condensate Trap	4-5
4.1.17 Reset the Maintenance Counter	4-7
4.1.18 Winterization	4-7
5.0 TROUBLESHOOTING	5-1
5.1 PRELIMINARY CHECKS	5-1
5.2 ELECTRONIC COMPONENTS	5-2
5.2.1 Temperature Sensors	5-2
5.2.2 Cabinet Sensors	5-2
5.2.3 Flue Gas Temperature Sensor	5-3
5.2.4 Domestic Hot Water Flow Sensor	5-3
5.2.5 Domestic Hot Water Sensor	5-3
5.2.6 Domestic Hot Water Bypass Valve	5-4
5.2.7 Domestic Cold Water Sensor	5-4
5.2.8 Fan/Blower	5-4
5.3 FAULTS AND NOTIFICATIONS	5-5
5.3.1 Fault Codes	5-5
5.3.2 Notification Codes	5-9
5.4 OTHER FAULTS	5-10
5.4.1 No domestic hot water (DHW)	5-10
5.4.2 Domestic hot water does not reach the correct temperature	5-11
5.4.3 Burner ignites loudly	5-11
5.4.4 Burner resonates	5-11
6.0 REPLACEMENTS KITS	6-1
7.0 WIRING DIAGRAMS	6-2
INSTALLATION & COMMISSIONING REPORT	6-4
SERVICE RECORD	6-5
NOTES	6-6

⚠ DANGER

Should overheating occur or the gas supply fails to shut off, do not turn off or disconnect the electrical supply to the pump. Instead shut off the gas supply at a location external to the appliance.

⚠ WARNING

Do not use this unit if any part has been under water. Immediately call a qualified service technician to inspect the unit and to replace any part of the control system and any gas control that has been under water.

⚠ CAUTION

Care must be taken to properly size the unit for its intended use. Prolonged full-fire run time, over-sizing or under-sizing, and incorrect flow rates through the unit can lead to increased maintenance costs, equipment stress and premature failure.

PRE-INSTALLATION CHECK

Carefully consider clearances and access, vent travel and termination, gas supply, condensate removal and combustion air supply.

Consider the following:

- Install the water heater in areas where the combustion air source is free of contamination. Exposure to corrosive chemical fumes such as chlorinated and/or fluorinated hydrocarbons can reduce the life of a unit. Cleaners, bleaches, air fresheners, refrigerants, aerosol propellants, dry-cleaning fluids, de-greasers and paint-removers all contain vapors that can form corrosive acid compounds when burned in a gas flame. Avoid airborne chlorides such as those released with the use of laundry detergents.
- Locate the unit where water leakage will not result in damage to the area (for example, do not install above carpeting). If you cannot find a suitable location, install a drain pan with an adequate drain under the appliance.
- At a new construction site, or during renovations, protect the unit from drywall dust or other construction related contaminants.
 - Ensure combustion air is drawn from a CLEAN source (e.g. outdoors).
 - Isolate the unit from interior dust sources.
- When the unit is in operation, assess the impact of the steam plume normally experienced at the exhaust terminal of a condensing water heater. Generally, intake and exhaust pipes should terminate at a rooftop or wall location free of obstructions. Water heater condensate is corrosive. Protective measures must be taken to prevent corrosion damage to metal roofs or other metal building components in contact with the condensate. Keep exhaust plumes well away from all building air intakes including those of neighboring properties by following all requirements of the jurisdiction having authority and this installation manual.
- Place the exhaust outlet so it reaches 12" minimum above the down-turned intake to avoid flue gas contamination of the combustion air.
- For sidewall venting options: Both the inlet and exhaust terminations must be located on the same side of the building. You can elevate both pipes in "periscope style" after passing them through the wall to gain required clearance above grade and snow level.
- Examine the condensate outlet to ensure proper disposal of condensate will occur during operation. A condensate neutralizer must be installed if the condensate will flow into a drain subject to corrosion.
- Ensure that the pressure relief valve is installed with no valves or other means of isolation between its inlet and the unit. Pipe the relief valve with unobstructed piping (minimum 3/4" diameter) to a safe discharge location.
- In locations where power supply quality varies or is unstable, consider installing surge protection and power conditioners (up to and including battery back-up uninterrupted power supply devices).
- Ensure the domestic hot water demands are considered before purchasing the Tankless Water Heater. You may need to add a storage tank.

This page is intentionally left blank.

NOTE

Commercial use is allowed only if the unit is regularly maintained, and the heat exchanger is cleaned at least once a year, or more often if the unit is experiencing heavy use. **Note: If the appliance is serving only one residential home in a multi-family building, then the appliance shall be considered used for residential use.**

1.0 INSTALLATION**1.1 GENERAL**

This High Efficiency Condensing tankless water heater is designed to be used for domestic (residential) purposes. Domestic use is considered to be an average annual gas usage of less than 4000 m³ (140,000 ft³) for natural gas or 5680 L (1500 US gallons) for propane. The products are fully condensing units with variable input ranges (see *specification chart - page 3*). The units are approved as “Category IV” vented appliances using Direct Vent (sealed combustion).

Figures 1a and 1b show outer case dimensions and piping. Use this diagram to find a suitable location for the unit. See also *Section 1.3 Location*.

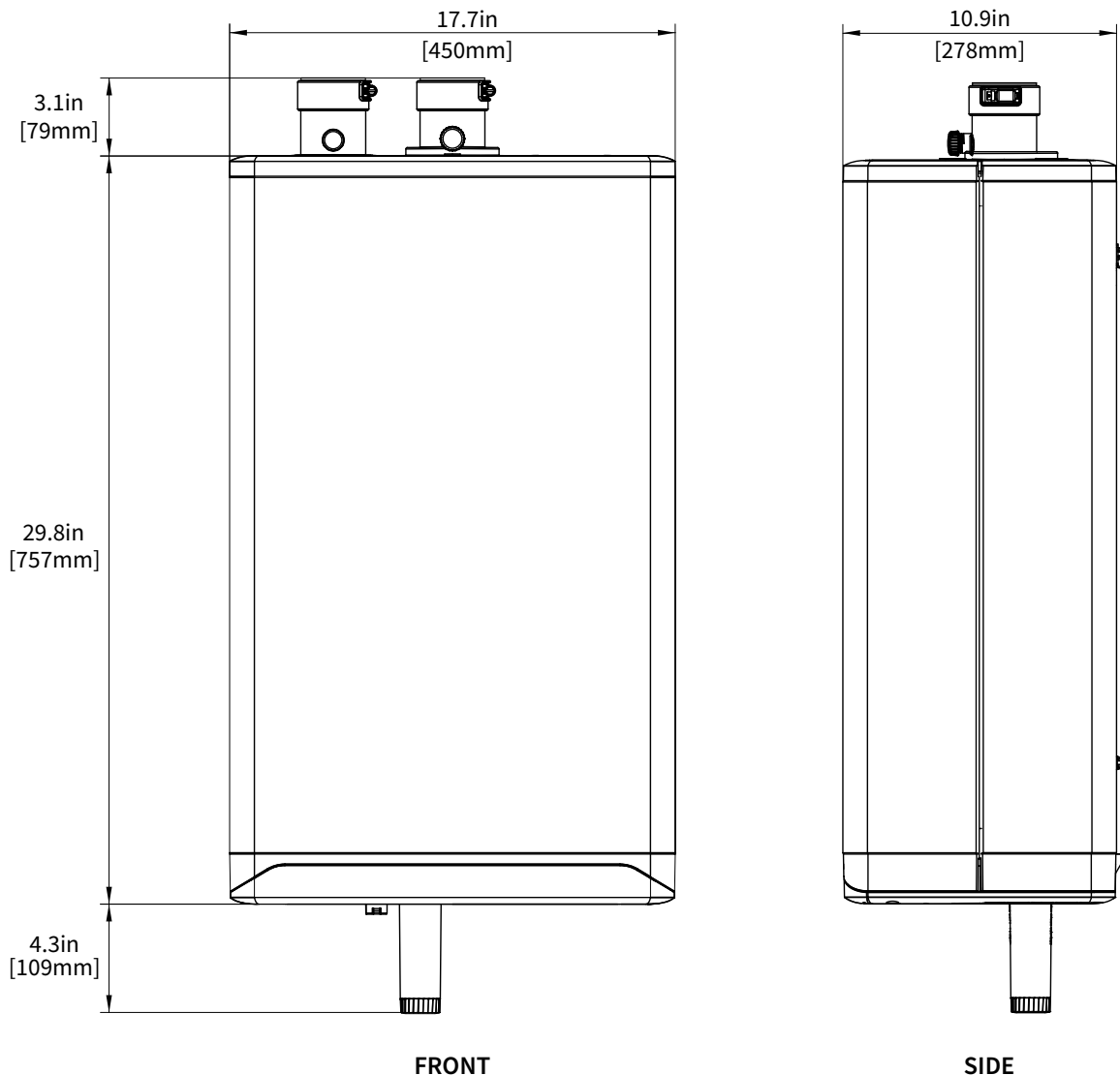


Figure 1a: Dimensions / Connections for Tankless Water Heater

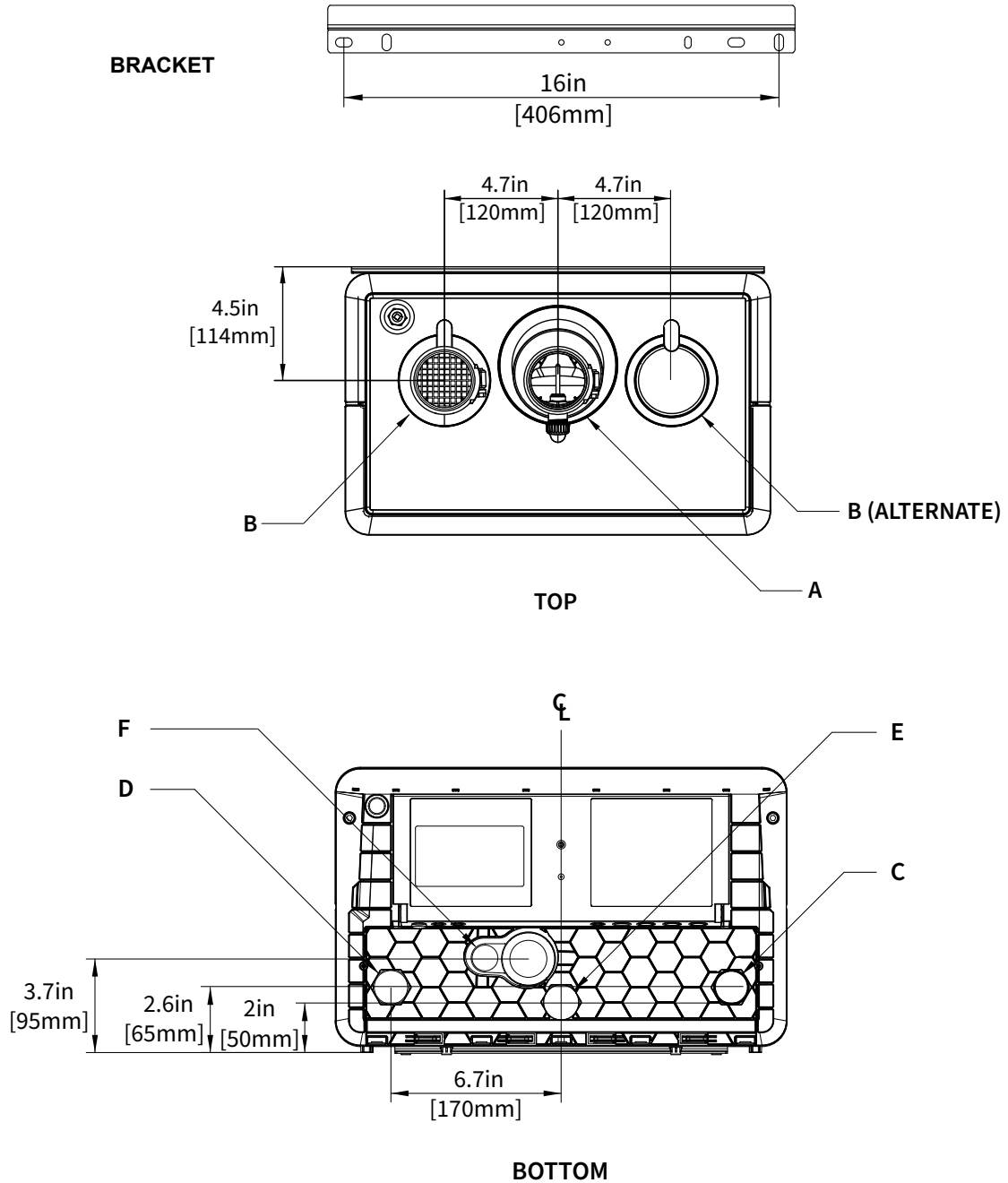


Figure 1b: Dimensions / Connections for Tankless Water Heater

DESCRIPTION		TANKLESS WATER HEATER
A	Exhaust Outlet	2" Schedule 40 PVC
B	Combustion Air inlet	2" Schedule 40 PVC
C	Cold Domestic Water Connection & inlet filter	3/4" Male NPT
D	Hot Domestic Water Connection	3/4" Male NPT
E	Gas Inlet	3/4" Male NPT
F	Condensate Outlet	3/4" Hose

Table 1: Connections

⚠ WARNING

- Keep the unit area free and clear of combustible materials, gasoline, and other flammable vapors and liquids.

- Combustion air must not be drawn from areas containing corrosive air from swimming pools or spas, including air directly next to outdoor pools and spas.

- The unit must not be exposed to water leaks from piping or components located overhead. This includes condensation dropping from un-insulated cold water lines overhead.

- Ensure the gas ignition system components are protected from water (dripping, spraying, rain, etc.) during appliance operation and when servicing (pump replacement, condensate trap servicing, control replacement, etc.)

-California Proposition 65

This product contains chemicals known to the state of California to cause cancer, birth defects, or other reproductive harm.

1.2 CODE REQUIREMENTS

The Tankless Water Heater is certified under CSA 4.3 / ANSI Z21.10.3.

The installation must conform to the requirements of the authority having jurisdiction or, in the absence of such requirements, to the *National Fuel Gas Code, ANSI Z223.1/NFPA 54, (latest edition) in the US or Natural Gas and Propane Installation Code, CSA B149.1 (latest edition) in Canada*. The installation must also conform to the Canadian Electrical Code Part 1 in Canada or the National Electrical Code ANSI/NFPA 70 (latest edition) in the US.

1.3 LOCATION

The unit is designed and approved for indoor installation. Its venting options provide flexibility of location; for example, placement in an alcove, basement, utility room or closet. The unit is approved for installation in a closet (see Table 2 for clearances to combustibles).

Conditions for safe installations

Ensure that the surrounding conditions are between 32°F [0°C] and 122°F [50°C] and less than 90% relative humidity.

Install the unit in areas where the combustion air source is free of contamination.

Exposure to corrosive chemical fumes such as chlorinated and/or fluorinated hydrocarbons can reduce the life of a water heater. Cleaners, bleaches, air fresheners, refrigerants, aerosol propellants, dry-cleaning fluids, de-greasers and paint-removers contain vapors that can form corrosive acid compounds when burned in a gas flame. Also avoid airborne chlorides such as those released with the use of laundry detergents.

This unit must not be installed in an area where water leakage will result in damage to the areas adjacent or below the unit. When such areas cannot be avoided, a suitable drain pan with adequate drain must be installed under the unit.

Water heater fastening

Approximate weight for the empty water heater is 68 lbs / 31 kg. For support fasteners, use at least two of the four supplied ¼" x 1¾" long lag screws. Installers must supply 1/4" bolts if metal mounting systems are used. Attach the wall mounting bracket to a structurally sound wall that is capable of supporting the combined weight of the unit and piping components which can exceed 150 lbs. (68kg).

Water heater clearance

Other factors affecting potential mounting sites:

- Ensure minimum clearance requirements for combustible materials (see Table 2) are satisfied.
- For ease of access, we recommend a minimum 24" clearance at the front and 24" above. Check local codes for additional access and service clearance requirements.
- **At a new construction site, or during renovations, protect the unit from drywall dust or other construction related contaminants. Combustion air must be drawn from a CLEAN source (e.g. outdoors) and the unit must be isolated from interior dust sources.**

⚠ WARNING

- Exposed water piping and associated components (relief valves, circulators, etc.) must not be in contact with combustible materials. Check local codes for required clearances and/or provide adequate insulation.

- **DO NOT MOUNT THIS UNIT TO A HOLLOW SHEET ROCK WALL USING ANCHORS.** The wall mounting bracket must be bolted to wall studs or a solid wall structure to support the combined weight of the unit which can exceed 150 lbs. (68kg) once installed.

- Take precautions to avoid injury during the installation of this unit.

SURFACE	DISTANCE FROM COMBUSTIBLE SURFACES	RECOMMENDED DISTANCE FOR INSTALLATION AND SERVICE
Front	2"	24"
Rear	0"	0"
Left Side	1.5"	6" (labels may be difficult to read with reduced clearance)
Right Side	4"	6" (labels may be difficult to read with reduced clearance)
Top	2"	24"
Bottom	8"	24"

Table 2: Clearance from the unit cabinet

You must provide a minimum distance below the water heater of 8" to allow clearance for the supplied condensation trap assembly. More clearance will typically be required to accommodate associated water and gas piping.

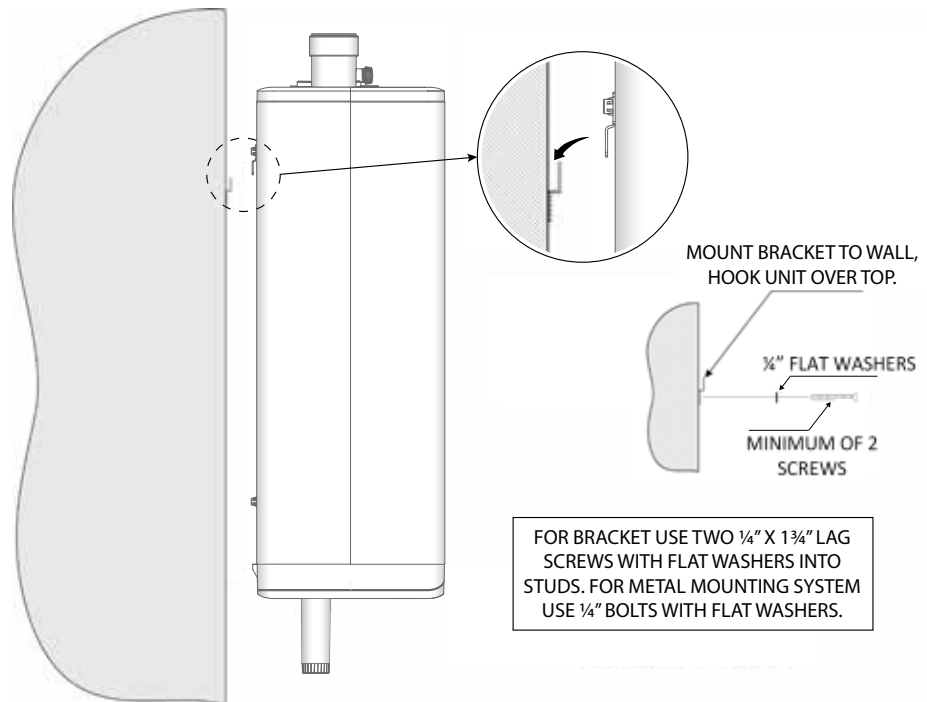


Figure 2: Wall mounting of unit

1.3.1 Mobile Home Installations

The Tankless Water Heater is approved for installation in a manufactured home (mobile home). Units installed in a mobile or manufactured home must also conform to the Manufactured Home Construction and Safety Standard, Title 24 CFR, Part 3280 and/or CAN/CSA Z240 MH Series, Mobile Homes.

⚠ CAUTION

The front panel has a rubber seal around the inner edge sometimes making it very stiff to slide off so please ensure the unit is secured to the wall correctly before attempting this procedure!

1.3.2 Removing/installing the front panel

- The front panel of the unit must be removed to perform various maintenance activities.
- Loosen both screws (1) under the unit by using a 5 mm allen key. (They are captive and therefore will not drop out of the lower housing).
- Slide the front panel (2) upward and then remove it by pulling it towards you.

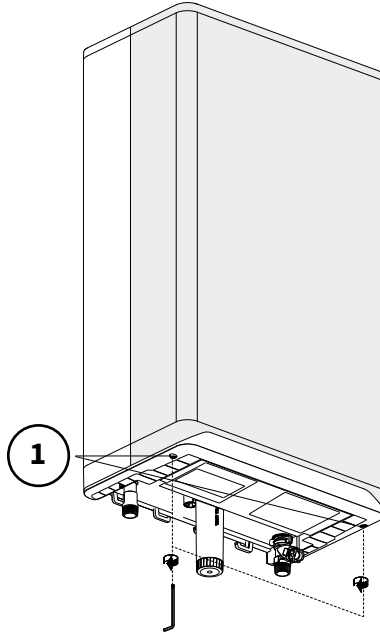


Figure 3: Loosen screws

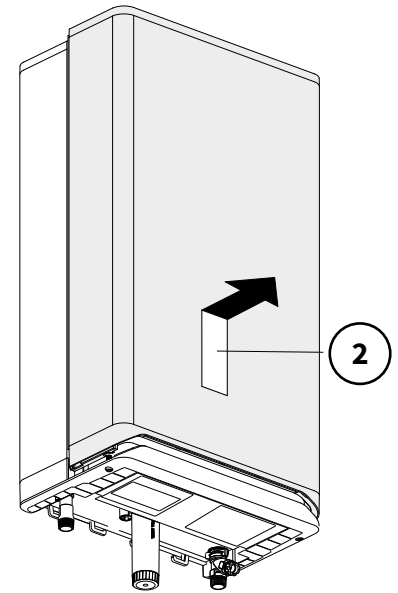


Figure 4: Frontpanel upward

⚠ WARNING

This is a room sealed cover and therefor extremely important that it is fitted correctly, failure to do so can result in flue gas spillage and carbon monoxide emissions, causing severe personal injury or death.

To replace the front panel, proceed as follows:

- Position the front panel (3) against the unit and slide it downwards until it is correctly connected to the lower fascia panel.
- Hand tighten screws under the unit using a 5 mm allen key (do not over tighten)

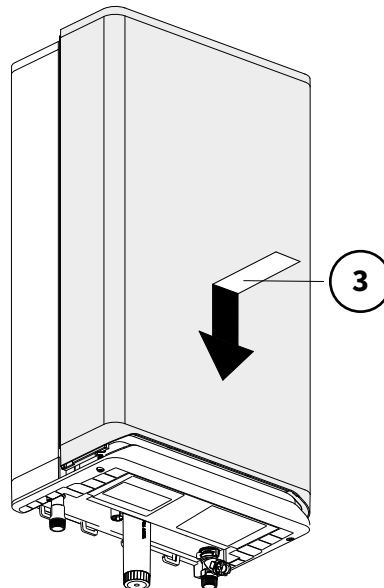


Figure 5: Positioning the frontpanel

⚠ DANGER

Failure to properly vent the unit to the outdoors as outlined in this Venting section will result in death or serious personal injury. To avoid the risk of fire, explosion, or asphyxiation from carbon monoxide, **NEVER** operate the unit unless it is properly vented and has adequate air supply for proper operation as outlined in this Venting section. This unit must have air supply connected and terminated to the outdoors.

⚠ WARNING

- Venting, condensate drainage, and combustion air systems for all units must comply with applicable codes and the instructions of their respective Installation manuals.
- Inspect finished vent and air piping thoroughly to ensure all are airtight and comply with the instructions provided and with all requirements of applicable codes.
- Failure to follow all instructions can result in flue gas spillage and carbon monoxide emissions, causing severe personal injury or death. Failure to comply will result in severe personal injury or death.

⚠ DANGER

Do not common vent this tankless water heater with any other existing or new appliance, except as outlined in this units Common Vent Installation Instructions.

1.4 EXHAUST VENTING AND AIR INTAKE

When you plan the installation, ensure that you consider appropriate venting materials, travel and termination decisions.

Consider the following when selecting a vent termination location:

- Select a location where the units exhaust will not damage nearby plants, shrubs, air conditioning equipment or be objectionable to the homeowner.
- Exhaust gases will form a visible plume during cold weather. Avoid areas where the plume could obstruct window views.
- Prevailing winds could cause water/ice buildup on nearby objects including building surfaces.
- Avoid locations where people or pets could come in contact with exhaust gases.
- Avoid locations such as inside building corners, near adjacent buildings or surfaces, window wells, stairwells, alcoves, courtyards, or other recessed areas where wind could affect the unit's performance or cause exhaust gas recirculation.
- Select a location where the termination is not likely to be damaged by foreign objects such as stones or balls, or is subject to buildup of debris such as leaves.

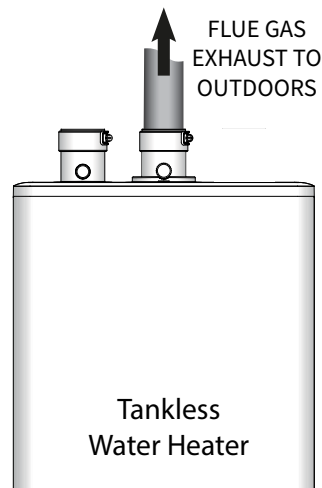


Figure 6: Basic exhaust vent assembly

Install venting in accordance with the requirements of the jurisdiction having authority: in Canada, Part 8, *Venting Systems* of the B149.1-10 Code and any other local building codes are to be followed. In the USA the National Fuel Gas Code, ANSI Z223.1, latest edition, prevails. Where there is a discrepancy between the installation instructions below, and the code requirements, you must apply the more stringent of the two requirements.

Provisions for combustion and ventilation air in accordance with the section "Air for Combustion and Ventilation," of the *National Fuel Gas Code, ANSI Z223.1/ NFPA 54* (latest edition) in the US or Clause 8.2, 8.3 or 8.4 of *Natural Gas and Propane Installation Code, CAN/CSA B149.1* (latest edition) in Canada or applicable provisions of the local building codes.

NOTE

For the State of Massachusetts, use only plastic piping, fittings and vent terminations as specified in this manual which are approved by the Massachusetts Board of State Examiners of Plumbers and Gas for venting of appliances (see hyperlink below):

https://licensing.reg.state.ma.us/pubLic/pl_products/pb_pre_form.asp

In the Commonwealth of Massachusetts

The Commonwealth of Massachusetts requires compliance with regulation 248 CMR 4.00 and 5.00 for installation of through-the-wall vented gas appliances as follows:

(a) For all side-wall, horizontally vented, gas-fueled equipment installed in every dwelling, building, or structure used in whole or part for residential purposes, including those owned or operated by the Commonwealth and where the side-wall exhaust vent termination is less than seven (7) feet above finished grade in the area of the venting, including but not limited to decks and porches, the following requirements shall be satisfied.

1. INSTALLATION OF CARBON MONOXIDE DETECTORS. At the time of installation of the side-wall, horizontally vented, gas-fueled equipment, the installing plumber or gas fitter shall observe that a hard-wired carbon monoxide detector with an alarm and battery backup is installed on the floor level where the gas equipment is to be installed. In addition, the installing plumber or gas fitter shall observe that a battery-operated or hard-wired carbon monoxide detector with an alarm is installed on each additional level of the dwelling, building, or structure served by the side-wall, horizontally vented, gas-fueled equipment. It shall be the responsibility of the property owner to secure the services of qualified licensed professionals for the installation of hard-wired carbon monoxide detectors.

a. In the event that the side-wall, horizontally vented, gas-fueled equipment is installed in a crawl space or an attic, the hard-wired carbon monoxide detector with alarm and battery backup may be installed on the next adjacent floor level.

b. In the event that the requirements of this subdivision cannot be met at the time of completion of installation, the owner shall have a period of thirty (30) days to comply with the above requirements, provided, however, that during said thirty (30) day period, a battery-operated carbon monoxide detector with an alarm shall be installed.

2. APPROVED CARBON MONOXIDE DETECTORS. Each carbon monoxide detector as required in accordance with the above provisions shall comply with NFPA 720 and be ANSI/UL 2034-listed and IAS-certified.

3. SIGNAGE. A metal or plastic identification plate shall be permanently mounted to the exterior of the building at a minimum height of eight (8) feet above grade directly in line with the exhaust vent terminal for the horizontally vented, gas-fueled heating appliance or equipment. The sign shall read, in print size no less than one-half (1/2) inch in size, "GAS VENT DIRECTLY BELOW. KEEP CLEAR OF ALL OBSTRUCTIONS."

4. INSPECTION. The state or local gas inspector of the side-wall, horizontally vented, gas-fueled equipment shall not approve the installation unless, upon inspection, the inspector observes carbon monoxide detectors and signage installed in accordance with the provisions of 248 CMR 5.08 (2)(a)(1 through 4).

(b) EXEMPTIONS: The following equipment is exempt from 248 CMR 5.08 (2)(a) (1 through 4):

1. The equipment listed in Chapter 10 entitled "Equipment Not Required To Be Vented" in the most current edition of NFPA 54 as adopted by the Board, and
2. Product-approved side-wall, horizontally vented, gas-fueled equipment installed in a room or structure separate from the dwelling, building, or structure used in whole or in part for residential purposes.

(c) MANUFACTURER REQUIREMENTS – GAS EQUIPMENT VENTING

SYSTEM PROVIDED. When the manufacturer of product-approved side-wall, horizontally vented, gas-fueled equipment provides a venting system design or venting system components with the equipment, the instructions provided by the manufacturer for installation of the equipment and the venting system shall include:

1. Detailed instructions for the installation of the venting system design or the venting system components; and
2. A complete parts list for the venting system design or venting system.

(d) MANUFACTURER REQUIREMENTS – GAS EQUIPMENT VENTING

SYSTEM NOT PROVIDED. When the manufacturer of product-approved side-wall, horizontally vented, gas-fueled equipment does not provide the parts for venting the flue gases, but identifies “special venting systems,” the following requirements shall be satisfied by the manufacturer:

1. The referenced “special venting systems” instructions shall be included with the appliance or equipment installation instructions, and
2. The “special venting systems” shall be product-approved by the Board, and the instructions for that system shall include a parts list and detailed installation instructions.

(e) A copy of all installation instructions for all product-approved side-wall, horizontally vented, gas-fueled equipment, all venting instructions, all parts lists for venting instructions, and/or all venting design instructions shall remain with the appliance or equipment at the completion of the installation.

⚠ CAUTION

- The minimum wall thickness for venting is 1" and the maximum wall thickness for venting is 14".

- Do not connect this tankless water heater to a chimney flue serving a separate appliance designed to burn solid fuel.

- The air intake fitting can be moved to the left or to the right of the exhaust fitting.

⚠ NOTE

The flue gas temperature sensor reports the current flue gas exhaust temperature to the unit's controller. If necessary, the controller will reduce the input of the tankless water heater to meet the flue gas exhaust temperature requirements of PVC material. The controller locks out the unit if this temperature is exceeded, and displays F003.

Removal of Existing Unit from Common Venting

When an existing appliance is removed from a common venting system, the common venting system is likely to be too large for proper venting of the appliances remaining connected to it.

At the time of removal of an existing appliance, the following steps must be followed with each appliance remaining connected to the common venting system placed in operation, while the other appliances remaining connected to the common venting system are not in operation.

- Seal any unused openings in the common venting system.
- Visually inspect the venting system for proper size and horizontal pitch, and determine that there is no blockage or restriction, leakage, corrosion and other deficiencies that could cause an unsafe condition.
- Insofar as is practical, close all building doors and windows and all doors between the space in which the appliances remaining connected to the common venting system are located and other spaces of the building. Turn on clothes dryers and any appliance not connected to the common venting system. Turn on any exhaust fans, such as range hoods and bathroom exhausts, so they will operate at maximum speed. Do not operate a summer exhaust fan. Close fireplace dampers.
- Place in operation the appliance being inspected. Follow the lighting instructions. Adjust the thermostat, so that the appliance operates continuously.
- Test for spillage at the draft hood relief opening after 5 minutes of main burner operation. Use the flame of a match or candle, or smoke from a cigarette, cigar, or pipe.
- After it has been determined that each appliance remaining connected to the common venting system properly vents when tested as outlined above, return doors, windows, exhaust fans, fireplace dampers and any other gas-burning appliance to their previous conditions of use.
- Any improper operation of the common venting system must be corrected so the installation conforms with the National Fuel Gas Code, ANSI Z223.1/NFPA 54, (latest edition) in the US or the Natural Gas and Propane Installation Code, CSA B149.1 (latest edition) in Canada. When resizing any portion of the common venting system, the common venting system must be resized to approach the minimum size as determined using the appropriate tables in the National Fuel Gas Code, ANSI Z223.1/NFPA 54, (latest edition) in the US or the Natural Gas and Propane Installation Code, CSA B149.1 (latest edition) in Canada.

⚠ WARNING

- Do not mix venting materials from different venting manufacturers.

These venting materials are designed to be installed as part of a complete system.

Failure to comply may result in severe personal injury or death.

- Fully insert the approved venting material into the unit's exhaust outlet and tighten clamp to ensure the venting connection is locked in place.

⚠ NOTE

For the State of Massachusetts, use only plastic piping, fittings and vent terminations as specified in this manual which are approved by the Massachusetts Board of State Examiners of Plumbers and Gas for venting of appliances (see hyperlink below):

https://licensing.reg.state.ma.us/pubLic/pl_products/pb_pre_form.asp

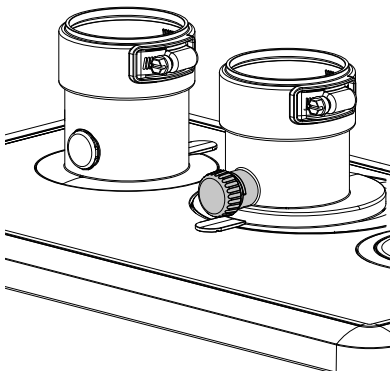


Figure 7: Inlet and outlet vent connections. Note the flue exhaust test port.

1.4.1 Applications

All Tankless Water Heaters must be installed as a Direct Vent venting system. The combustion air must be piped in from the outdoors and connected directly to the unit's combustion air connection. See section 1.4.7 for air intake piping requirements.

1.4.2 Exhaust Vent Material

Use of ABS, cellular core PVC (ASTM F891), cellular core CPVC, or Radel® (polyphenolsulfone) in venting systems is prohibited.

Exhaust Vent Material – CANADA

Use only PVC, CPVC, Polypropylene (PPS), or stainless steel* vent components. Venting components must be approved for use with a Category IV appliance, listed under ULC S636 and must comply with CSA B149.1 (latest edition).

- PVC (ULC-S636)
- CPVC (ULC-S636)
- Polypropylene (ULC-S636)
- Stainless steel* (ULC-S636)

Exhaust Vent Material – USA

Use only PVC, CPVC, Polypropylene (PPS), or stainless steel* vent components. Venting components must be approved by the authority having jurisdiction and as follows:

- PVC (Schedule 40 ASTM D1785)
- CPVC (Schedule 40 ASTM F441)
- Polypropylene (UL1738 / ULC-S636)
- Stainless Steel* (Type BH), DuraVent FasNSeal, HeatFab Saf-T Vent, Z-Flex Z-Vent

This unit is equipped with a top mounted 2" vent connection. Wet the vent connection gasket and pipe with clean water prior to assembly. Insert 2" PVC or CPVC directly into the units vent connection and secure the pipe by tightening the clamp.

Polypropylene venting will require an adapter from the venting manufacturer to transition from the 2" vent connection to the venting system. Centrotherm InnoFlue polypropylene venting requires adapter part number ISAAL0202. Wet the vent connection gasket and adapter with clean water prior to assembly. Insert the polypropylene adapter into the units vent connection and secure by tightening the clamp.

***Manufacturers of stainless steel Type BH venting systems must submit their approved transition fitting to us for evaluation and written approval.**

1.4.3 Vent Travel

The maximum exhaust venting length is dependent upon the vent pipe size (2" or 3") and the venting material (PVC, CPVC, PPs). See Table 3 for maximum exhaust venting lengths and the required venting length reduction for each fitting in the venting system.

Example: When using 6 x 90° CPVC elbows, the maximum lineal measure of pipe allowed using 3" pipe is 72 feet ($120' - (6 \times 8' = 48') = 72'$).

⚠ WARNING

Combustion air must not be drawn from areas containing corrosive air from swimming pools or spas, including air directly next to outdoor pools and spas.

⚠ NOTE

The bird screen is optional for exhaust piping in cold weather climates.

⚠ BEST PRACTICES

To reduce the possibility of expansion noise, allow a 1/4" gap around the exhaust and air intake piping.

For 3" Flexible PPs, up to 35 actual lineal feet are allowed in a nominally vertical orientation (>45°). The equivalent length of 3" Flexible PPs is calculated using a multiple of 1.4:1, e.g. 35' x 1.4 = 49' equivalent. The balance of the venting allowance is still available for use with rigid PPs piping material. 2" Flexible PPs is not allowed.

EXHAUST PIPE SIZE/FITTINGS MAXIMUM EQUIVALENT LENGTH	
Schedule 40 PVC, CPVC or PPs – Allowances are for each side separately.	
2"	65**
3"	120'
2" or 3" 90° Long Sweep Vent Elbow	Allow 5 equivalent feet
2" or 3" 90° Short Sweep Vent Elbow	Allow 8 equivalent feet
2" or 3" 45° Vent Elbow	Allow 3 equivalent feet
PPS	
PPs 87-90° Elbow	Allow 8 equivalent feet
Flex PPS	
2" PPs Flex	Not Allowed
3" PPs Flex	35' Actual (Equivalent = Actual x 1.4)

Table 3: Maximum Exhaust Venting Length

* The input rate will derate as vent length increases. See table below for approximate derate at 2" maximum vent length.

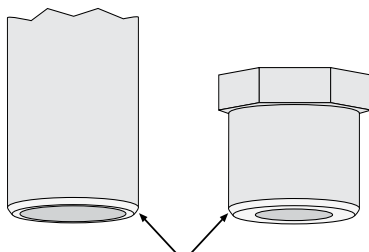
MAXIMUM FIRING RATE	APPROXIMATE DERATE
199,000	10 - 16%

Follow all installation instructions supplied by the pipe and fitting manufacturer. Prior to assembly, ensure all venting components are clean of burrs/debris which could clog the fan, burner, and heat exchanger.

General Venting/Piping Requirements

If the vent length requires increasing the vent pipe size to 3", the transition from the 2" vent connector to 3" venting must occur within the first 18" of the top of the unit and must be done in a vertical section to avoid pooling of condensate. Slope exhaust venting back towards the unit with a pitch of at least 1/4" per foot. Follow venting manufacturer pitch requirements, so condensate runs back towards the trap. Support air intake and vent piping per local code and vent manufacturers requirements. In the absence of support requirements, support the air intake and vent piping at every vertical and horizontal transition as well as every 5' of run.

Begin the vent system installation at the unit and work towards the outdoor termination. We recommend using a bird screen of 1/4" stainless steel or plastic mesh (e.g., IPEX System 636 drain grate for CPVC systems) to guard against foreign objects.



ENSURE PIPE AND FITTINGS ARE BEVELED FOR TROUBLE-FREE INSERTION THROUGH EXHAUST AND INTAKE PIPE GASKETS

WET GASKETS AND PIPE BEFORE INSERTION

Figure 8

⚠ CAUTION

Vent termination clearances in this section are code minimum, or recommended minimum requirements, and may be inadequate for your installation. You must examine building envelope details, and take measures to avoid admission of moisture into building structures. Serious structural damage may occur if adequate precautions and clearances are not allowed for.

These precautions are to be observed for neighboring structures as well as for the structure the unit(s) are installed in.

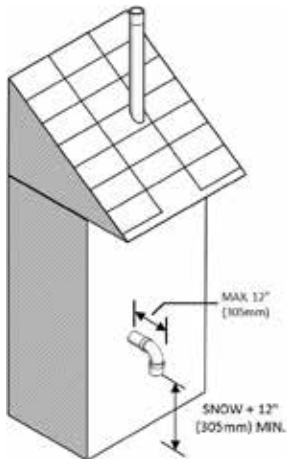


Figure 9: Rooftop vent terminal configurations

⚠ WARNING

Condensate can cause corrosion of metal roofing components and other roofing materials. Check with the builder or roofing contractor to ensure that materials are resistant to acidic condensate. pH levels can be as low as 3.0

Secure joints using appropriate solvent cement to bond the respective pipe material (Canada: PVC/CPVC cement approved under *ULC-S636*, in accordance with its manufacturer instructions; USA: PVC (ASTM D2564), or CPVC (ASTM F493). Use transition cement anywhere that PVC and CPVC are joined. Follow the cement manufacturer's instructions closely when joining various components. For PPs, connections must be secured using approved retainer clips supplied by the respective PPs manufacturer.

Ensure that all vent connections are liquid and pressure tight. Prior to firing the unit, and before any of the venting run is concealed by the building construction, you must test the exhaust joints, using a soap/water solution. You must fill the condensate trap before testing.

1.4.4 Venting Passage Through Ceiling and Floor

- Confirm material meets local codes including fire stopping requirements. Some local jurisdictions require that a minimum initial length of pipe be exposed or accessible for inspection.
- Pipe clearances best practice allows a minimum 1/4" gap around the pipe to prevent binding and expansion noise. Follow local codes.
- All piping must be liquid and pressure tight.

1.4.5 Rooftop Vent Termination**Direct Vent - Two Pipe**

Rooftop vents must terminate as follows:

- The exhaust pipe can terminate in an open vertical orientation without concern about rain infiltration; rain will drain away through the condensate trap.
- The intake air pipe is not typically drained, so it must be terminated with a down-turned elbow (see Figure 10). The intake pipe does not need to penetrate the roof at the same elevation as the exhaust (as shown); lower down the roof is OK.
- The air intake pipe may terminate on the side wall of the building as long as the air intake terminal is turned down and the side wall of the building is not exposed to large wind loads i.e.: prevailing winds. (see Figure 9)

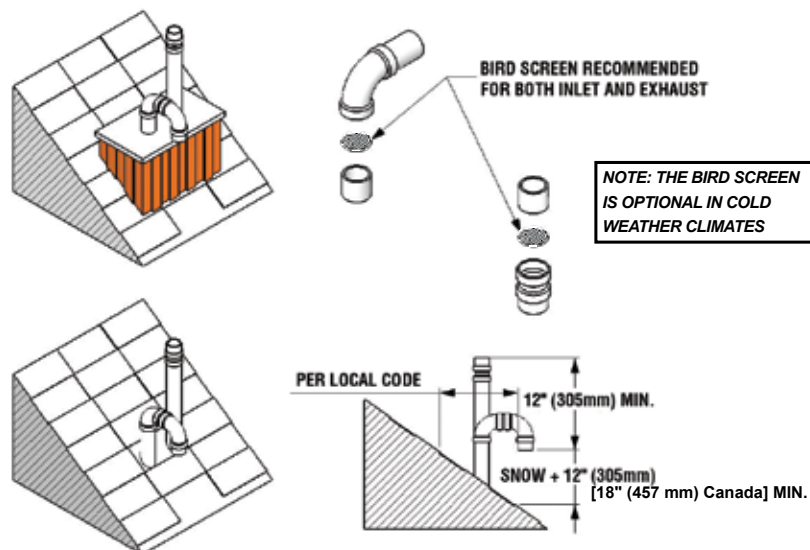


Figure 10: Rooftop vent terminal configurations

- Optional bird screen may be placed in a termination fitting. Leave unglued, and hold in place with a short nipple to allow easy access for cleaning.
- For roof top venting of multiple unit sets, group all intake terminals together for a common penetration through a custom cap. Alternatively, place in the closest proximity achievable using commonly available pipe flashing. Similarly, group the exhaust pipes and place the 2 separate groups of pipes at least 3' apart (the closest intake and exhaust pipes must be 36" - or more - apart). Use the same 12" (minimum) vertical separation for 2 pipe option.
- **DO NOT exhaust vent into a common venting system, except as outlined in this units Common Vent Installation Instructions.**

DIRECT VENT CONCENTRIC ROOF TOP TERMINATION

Roof Top Concentric Termination kits are approved for use with this unit.

For vertical roof top concentric terminations, you must follow the installation instructions supplied by the manufacturer. Care must be taken to install the termination kit a minimum horizontal distance of 10' (305cm) away from any portion of the building and a minimum of 12" (305 mm) [18" (457 mm) Canada] above the roof line plus the anticipated snow line (see *Figures 11 and 12*).

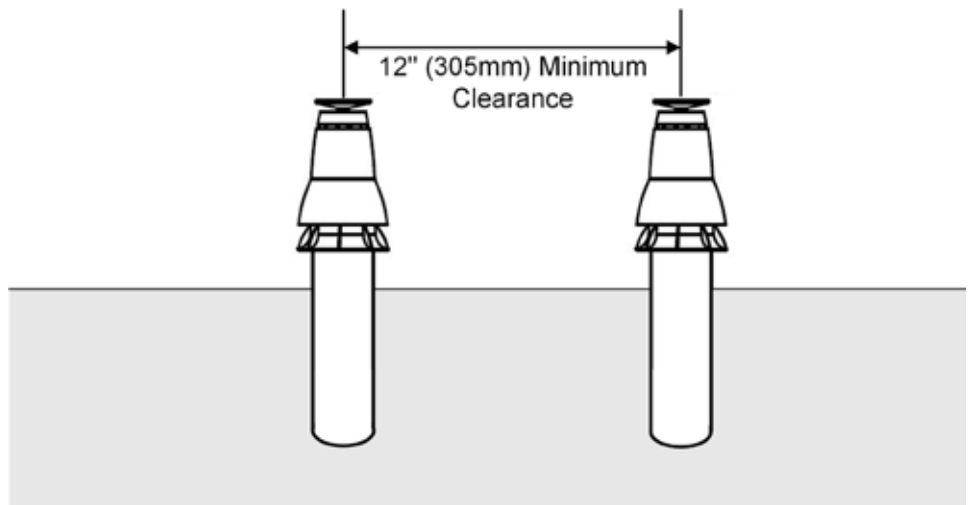


Figure 11: Vertical Concentric Termination - Two Kits

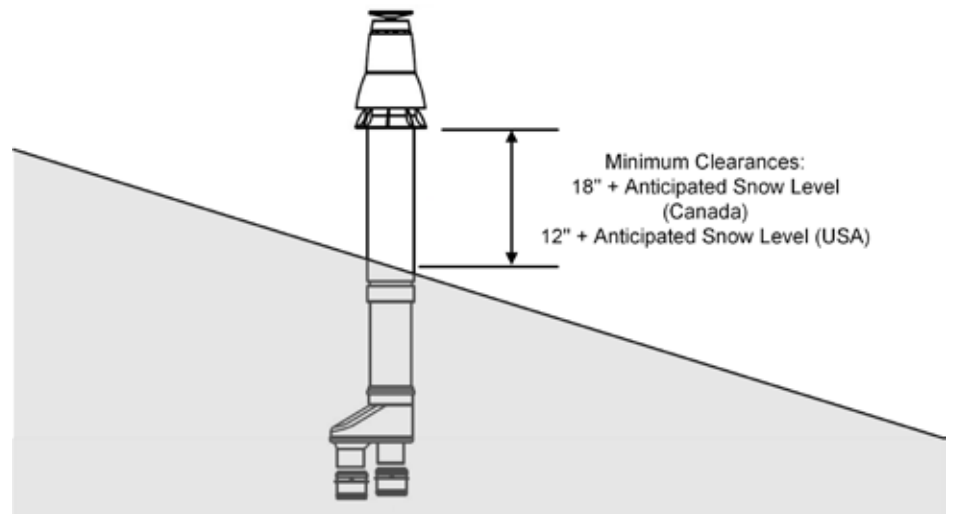


Figure 12: Vertical Concentric Termination - Single Kit

⚠ WARNING

- You must maintain at least the minimum separation of exhaust vent termination from unit's intake air as illustrated in figures 9, 10 and 13 and 15. Failure to do so can result in a dangerous situation where exhaust gases are pulled in with combustion air. Damage to the unit can result from a failure to maintain these separations. Improper installation will void the warranty.

- You must not cover non-metallic vent pipe and fittings with thermal insulation.

- In areas of high snowfall, users must be advised to check side wall vent and air intake terminations on a regular basis to ensure blockage does not occur.

⚠ WARNING

The vent for this appliance must not terminate:

1. Over public walkways in the US. In Canada 7' above public walkways.
2. Near soffit vents or crawl space vents or other areas where condensate or vapor could create a nuisance or hazard or cause property damage.
3. Wherever condensate vapor could cause damage or could be detrimental to the operation of regulators, relief valves, or to other equipment.

1.4.6 Sidewall Vent Termination**Direct Vent - Two Pipe**

Sidewall direct vent applications must be vented as follows:

- Both the inlet and exhaust terminations **must be** located on the same plane (side) of the building.
- The exhaust outlet is to be placed so as to reach 12" minimum above the down-turned intake - to avoid intake re-ingestion of exhaust gases.
- The elevation of both pipes can be raised in "periscope style" after passing through the wall, then configured as in *Figure 13*, to gain required clearance.
- Use a 45° elbow on the exhaust termination to launch the plume up and off the sidewall, for protection of wall.
- Optional bird screen may be placed in a termination fitting. Leave unglued, and hold in place with a short nipple to allow easy access for cleaning.

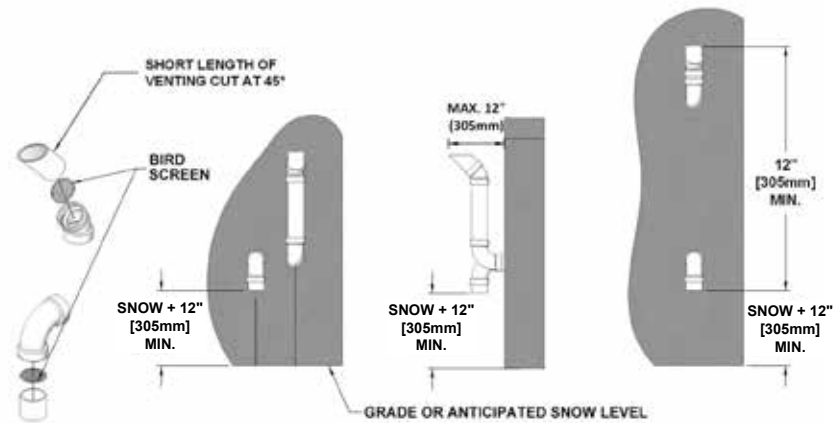


Figure 13: Sidewall vent termination - piping configuration



Figure 14: Prohibited installation

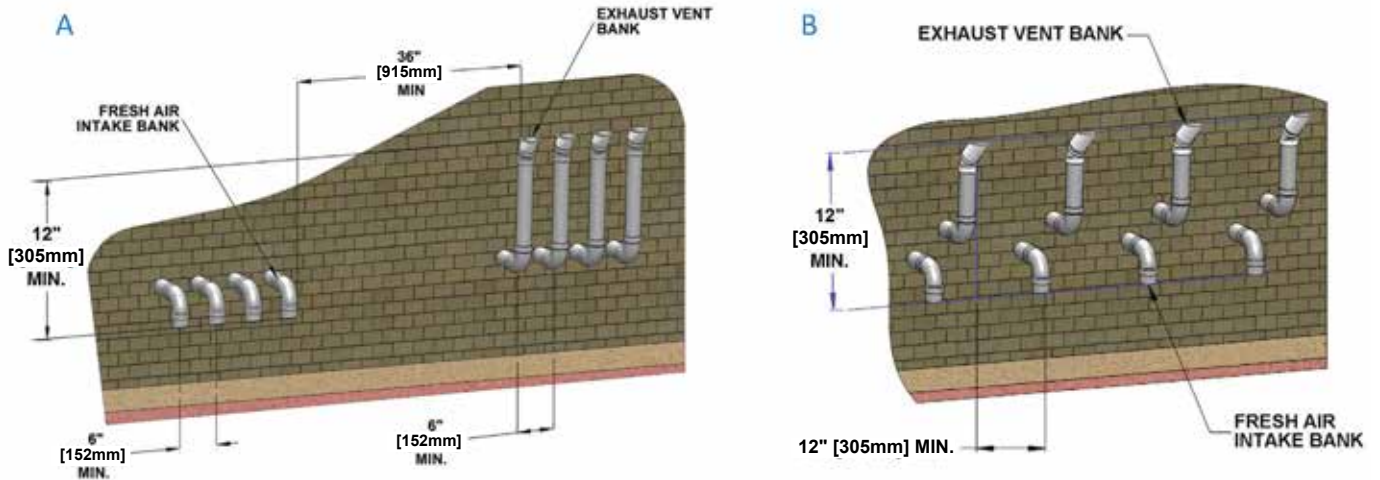


Figure 15: Sidewall vent termination - multiple vent piping configuration

For sidewall venting of multiple units, group all intake terminals together with 6" (minimum) lateral spacing, and similarly group the exhaust pipes. Place the 2 groups on the same plane of the building (e.g., north facing wall). Place the 2 groups of pipes at least 3' apart (the closest intake and exhaust pipes must be 36" - or more – apart). Use same 12" (minimum) vertical separation (see A in Figure 15). Alternatively, as long as the units are identical models - intake and exhaust terminals can maintain a minimum of 12" of separation horizontally from any exhaust or inlet termination of an adjacent unit (see B in Figure 15).

DIRECT VENT SIDE WALL TERMINATION KITS

The sidewall Termination kits approved for use with the tankless water heater are subject to restrictions. **NOTE:** Some jurisdictions may not allow this type of side wall termination due to close proximity to the neighboring properties. See Figures 16, 17 and 18 on page 1-15, 1-16

You must follow the installation instructions, clearances and wall thickness requirements of the approved vent termination manufacturer.

Approved Side Wall Termination Kits are listed below:

- 2" PVC low profile termination kit - Part #P-741
- 3" PVC low profile termination kit - Part #P-742

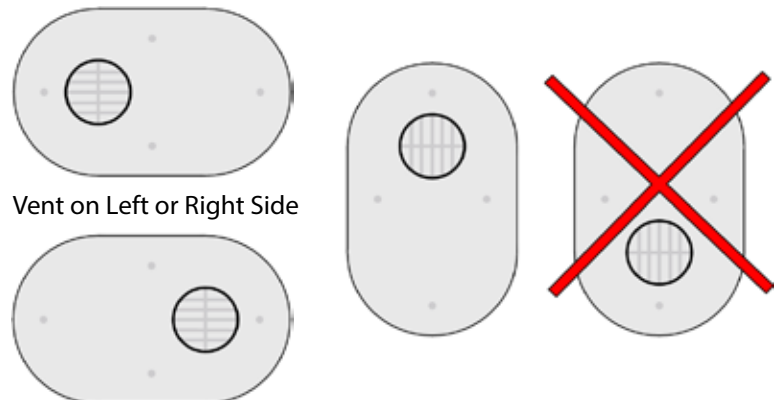


Figure 16 PVC low profile termination acceptable orientations

Concentric Side Wall Termination Kits

Concentric Sidewall Termination kits approved for use with the tankless water heater are subject to restrictions. NOTE: Some jurisdictions may not allow this type of sidewall termination due to close proximity to the neighboring properties.

You must follow the installation instructions, clearances, and wall thickness requirements of the approved vent termination manufacturer.

Approved Concentric Sidewall Termination kits are:

- 3" PVC (UL 1738) – Iplex #397006
- 3" PVC (ULC-S636) – Iplex #196006
- 3" CPVC (ULC-S636) – Iplex #197009
- 2" Centrotherm Innoflue PPs - #ICWT242 (Termination)
#ICTCR24 (2 Pipe Adapter)
- 3" Centrotherm Innoflue PPs - #ICWT352 (Termination)
#ICCT3503 (2 Pipe Adapter)

Installation of multiple Concentric Side Wall Termination kits must be:

- On the same horizontal line (not stacked)
- With a minimum horizontal separation of 12" center to center



Figure 17: Horizontal Polypropylene Concentric Termination - Two Kits

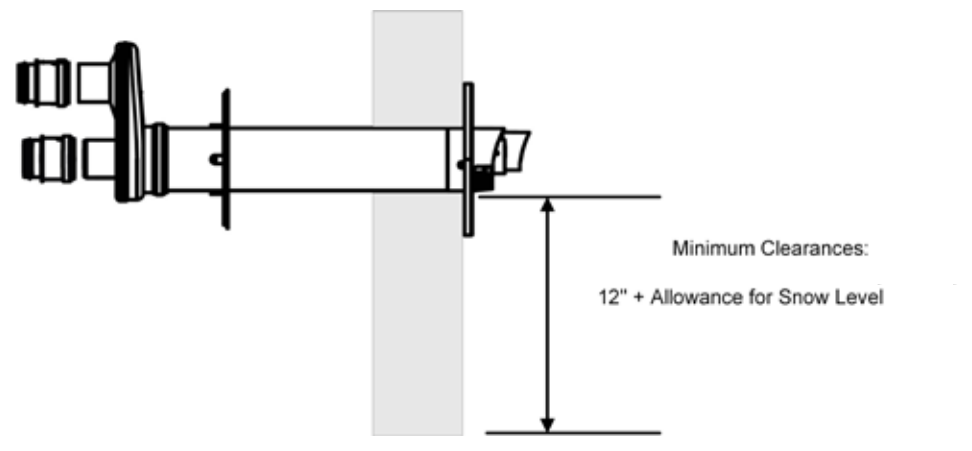


Figure 18: Horizontal Polypropylene Concentric Termination - Single Kit

⚠ WARNING

- In addition to preventing ingestion of chemical contaminants, care must be taken to ensure air intake terminals are not installed in locations where contamination might occur due to ingestion of particulate foreign material (dust, dirt and debris).

- Intake air openings must be configured such that rain or other forms of moisture cannot enter the air intake piping system. Otherwise serious damage to the unit may result.

⚠ NOTE

Care must be taken when installing air intake piping to ensure that a “trap” is not formed in the piping so as to allow a build-up of water, and blockage of intake air.

Such blockage will result in a unit’s safety shut-down.

Vent terminal clearance minimums are as follows:

	CANADIAN INSTALLATIONS^{1, 3}	US INSTALLATIONS^{2, 3}
A= Clearance above grade, veranda, porch, deck, or balcony	12 in (30 cm)	12 in (30 cm)
B= Clearance to window or door that may be opened	36 in (91 cm) for appliances over 100,000 Btuh (30kW)	12 in (30 cm)
C= Clearance to permanently closed window	* (Recommend minimum 1 ft (30 cm))	* (Recommend minimum 1 ft (30 cm))
D= Vertical clearance to ventilated soffit located above the terminal within a horizontal distance of 2 ft (61 cm) from the center line of the terminal.	* (Recommend minimum 2 ft (61 cm))	* (Recommend minimum 2 ft (61 cm))
E= Clearance to unventilated soffit	*(Recommend minimum 1 ft (30 cm))	* (Recommend minimum 1 ft (30 cm))
F= Clearance to outside corner	* (Recommend minimum 4 ft (122 cm))	* (Recommend minimum 4 ft (122 cm))
G= Clearance to inside corner	* (Recommend minimum 4 ft (122 cm))	* (Recommend minimum 4 ft (122 cm))
H= Clearance to each side of center line extended above meter/regulator assembly	3 ft (91 cm) within a height of 15 ft (4.6m)	*
I= Clearance to service regulator vent outlet	3 ft (91 cm)	*
J= Clearance to nonmechanical air supply inlet to building or the combustion air inlet to any other appliance	36 in (91 cm) for appliances over 100,000 Btuh (30 kW)	12 in (30cm)
K= Clearance to a mechanical air supply inlet	6 ft (1.83 m)	3 ft (91 cm) above if within 10 ft (3 m) horizontally
L= Clearance above paved sidewalk or paved driveway located on public property	7 ft (2.13 m) †	Vents cannot be located above public walkways or other areas where condensate or vapor can cause a nuisance or hazard.
M= Clearance under veranda, porch deck, or balcony	12 in (30 cm) ‡	*
Clearance to adjacent wall	6 ft (1.83 m)	6 ft (1.83 m)

1 In accordance with the current CSA B149.1 Natural Gas and Propane Installation Code

2 In accordance with the current ANSI Z223.1 / NFPA 54 National Fuel Gas Code

3 If locally adopted installation codes specify clearances different than those illustrated, then the most stringent shall apply.

† A vent shall not terminate directly above a sidewalk or paved driveway that is located between two single family dwellings and serves both dwellings.

‡ Permitted only if veranda, porch, deck, or balcony is fully open on a minimum of two sides beneath the floor.

* Clearance in accordance with local installation codes and the requirements of the gas supplier. The minimum distance from adjacent public walkways, adjacent buildings, openable windows, and building openings shall not be less than those values specified in the National Fuel Gas Code, ANSI Z223.1/NFPA 54, and/or the Natural Gas and Propane Installation Code, CSA B149.1

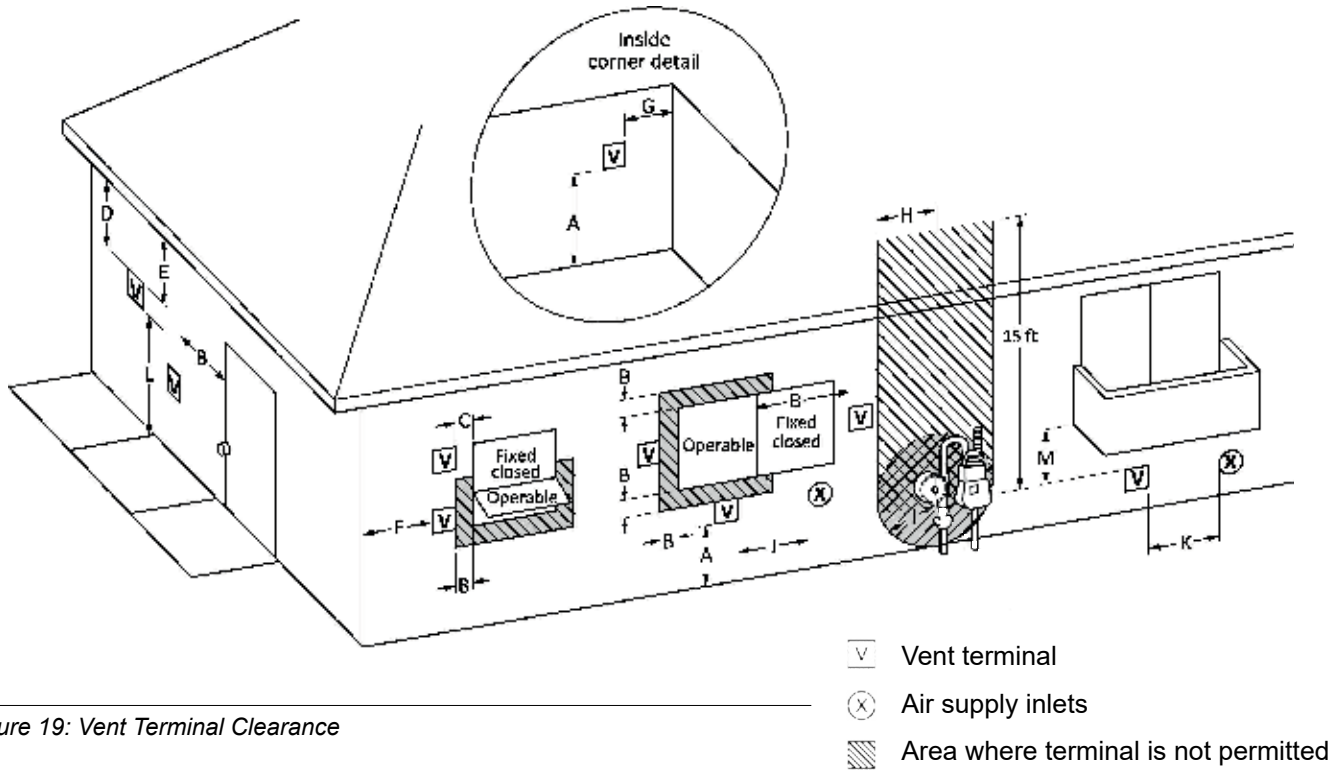


Figure 19: Vent Terminal Clearance

NOTE

Combustion air connection may be moved from one side to the other:

- Remove the retaining clip screws then lift tab at back of plug and rotate 1/8th of a turn counter-clockwise to remove from top of cabinet.
- Remove the retaining clip by removing both screws then lift tab at back of combustion air connection and rotate 1/8th of a turn counter-clockwise to remove from top of cabinet.
- Reinstall plug and combustion air connection in the desired locations then rotate 1/8th of a turn clockwise until tab latches into the top of the cabinet.
- Reinstall the retaining clip over the combustion air connection tab and secure with two screws. Reinstall two screws in the top of the cabinet near the plug.

1.4.7 “Direct Vent” Combustion Air Intake Piping

The unit must always be installed as a Direct Vent venting system with the combustion air piped directly from the outdoors to the unit’s combustion air connection. Provisions for combustion and ventilation air are in accordance with the section “Air for Combustion and Ventilation”, of the *National Fuel Gas Code, ANSI Z223.1/NFPA 54* (latest edition) in the US or Clause 8.2, 8.3 or 8.4 of *Natural Gas and Propane Installation Code, CAN/CSA B149.1* (latest edition) in Canada, or applicable provisions of the local building codes.

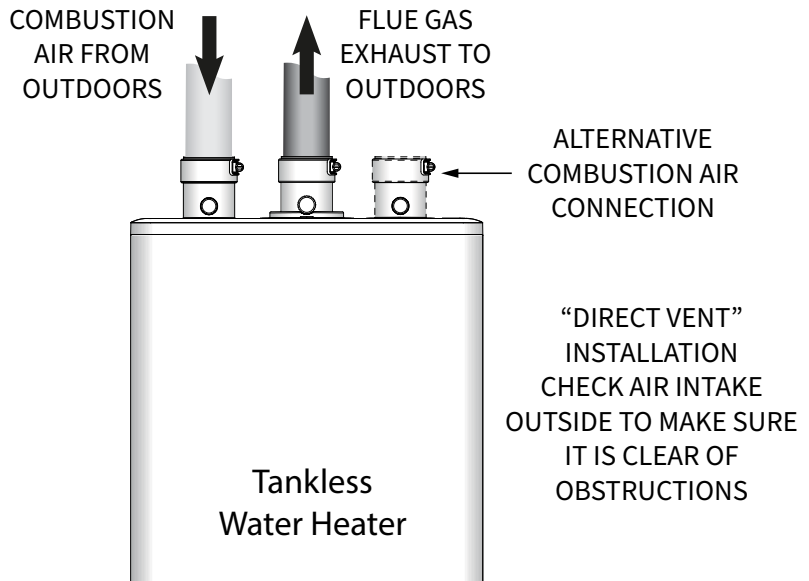


Figure 20: Direct vent combustion air intake

Intake Pipe Sizing

For 3" Flexible PPs, you can use up to 35 actual linear feet in a nominally vertical orientation (>45°). The equivalent length of 3" Flexible PPs must be calculated using a multiple of 1.4:1, e.g. 35' x 1.4 = 49' equivalent. The balance of the venting allowance is still available for use with rigid PPs piping material. 2" Flexible PPs is not allowed.

INTAKE PIPE SIZE/FITTINGS	MAXIMUM EQUIVALENT LENGTH
Schedule 40 PVC, ABS, CPVC or PPs – Allowances are for each side separately.	
2"	65*
3"	120'
2" or 3" 90° Long Sweep Vent Elbow	Allow 5 equivalent feet
2" or 3" 90° Short Sweep Vent Elbow	Allow 8 equivalent feet
2" or 3" 45° Vent Elbow	Allow 3 equivalent feet
PPS	
PPs 87-90° Elbow	Allow 8 equivalent feet
Flex PPS	
3" PPs Flex	35' Actual (Equivalent = Actual x 1.4)

Table 4: Maximum intake piping length.

* The input rate will derate as intake length increases. See table below for approximate derate at 2" maximum intake length.

MAXIMUM FIRING RATE	APPROXIMATE DERATE
199,000	10 - 16%

For **inlet** air, you can use Schedule 40 PVC, CPVC, ABS or PPs piping of any type. Use the same diameter as vent piping.

Insert combustion air piping directly into the 2" female plastic fitting on the top of the unit, and run it horizontally or vertically to the outdoors. We recommend using a bird screen of 1/4" stainless steel or plastic mesh (eg. IPEX System 636 drain grate for CPVC systems) to guard against foreign objects.

Care must be taken to ensure adequate separation is maintained between the air intake inlet and the vent termination. Refer to the vent termination configuration drawings in the "Vent Termination" section above.

Support air intake and vent piping per local code and vent manufacturers requirements. In the absence of support requirements, support the air intake and vent piping at every vertical and horizontal transition as well as every 5' of run.

1.4.8 "Indoor Air" Combustion Air Intake

The use of indoor air for combustion is prohibited. Combustion air must be piped in from the outdoors and connected directly to the unit's combustion air connection

1.4.9 Closet Installations

For installations in a confined space (such as a closet), ventilation openings may be needed through a door or wall to prevent build-up of excessive heat from inside the space.

The unit must not be exposed to surrounding conditions above 122°F (50°C) or below 32°F (0°C).

⚠ WARNING

Fill the trap with water before initial startup of the unit to prevent exhaust fumes from entering the room. Never operate the water heater unless the trap is filled with water.

Failure to comply will result in severe personal injury or death.

⚠ NOTE

It is the responsibility of the installing and/or service Contractor to advise and instruct the end user on how to perform the Trap cleaning procedure, and to advise that the trap be checked at least every two months and cleaned as required.

1.5 CONDENSATE REMOVAL

The specified vent configuration promotes the safe drainage of moisture from the unit and exhaust venting without flowing liquids back through the heat exchanger.

Reliable system operation requires (1) proper design and installation of exhaust venting to allow condensate to run back to the drain/trap; (2) acid neutralization as appropriate. To achieve these:

1. Allow for a minimum 1/4" per foot slope back to the vent connection, with appropriate hangers to maintain that gradient (check with the venting manufacturer as their slope requirement may be stricter).
2. Ensure the supplied trap is correctly installed and filled with water.
3. When required, add (and maintain in good condition) a pH neutralization tank.

1.5.1 Condensate Trap

The condensate trap must be installed on the bottom of the condensate trap at the base of the unit.

1.5.2 Installing the Condensate Trap

1. Fill the condensate trap cup with water.
2. Install the condensate trap cup on the condensate trap base and twist toward the right.
3. Attach the drain hose to the condensate trap outlet located to the left of the condensate trap cup.

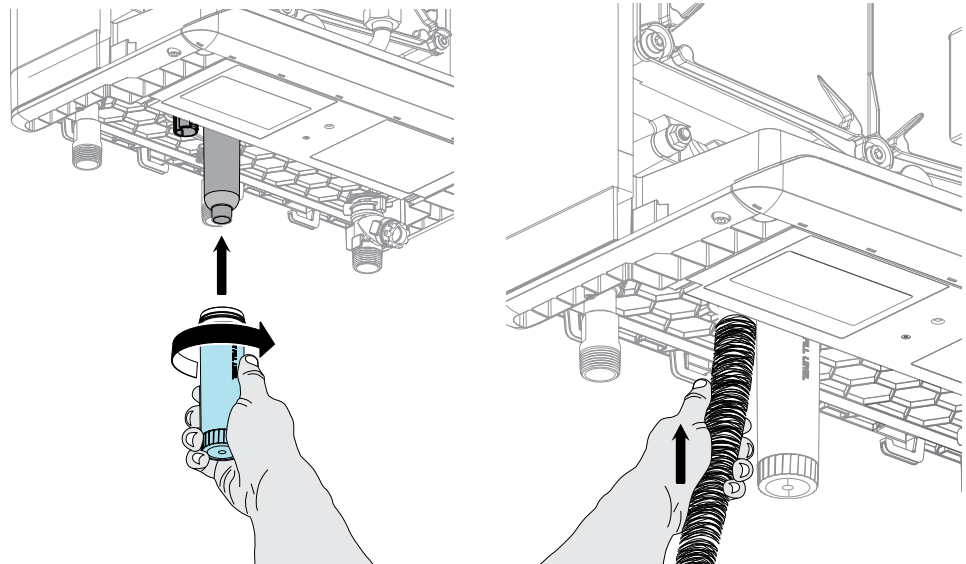


Figure 21: Condensate trap installation

⚠ DANGER

The water in the condensate neutralizer can cause severe burns to the skin. Use extreme caution when servicing the condensate neutralizer. Wear protective gloves and eyewear.

⚠ CAUTION

When a condensate neutralization package is installed, the pH of the condensate discharge must be measured on a regular schedule to ensure the neutralizing agent is active and effective.

⚠ WARNING

If condensates are to be discharged into building drain piping materials that are subject to corrosion, a neutralization package must be used.

1.5.3 Further Installation Details

- Pipe the condensate drain to within 1" of a drain, or connect it to a condensate pump.
- Slope the drainage line down to the drain at a pitch of 1/4" per foot, so that the condensate runs towards the drain.
- Check the condensate trap every 2 months, and clean and refill as necessary.

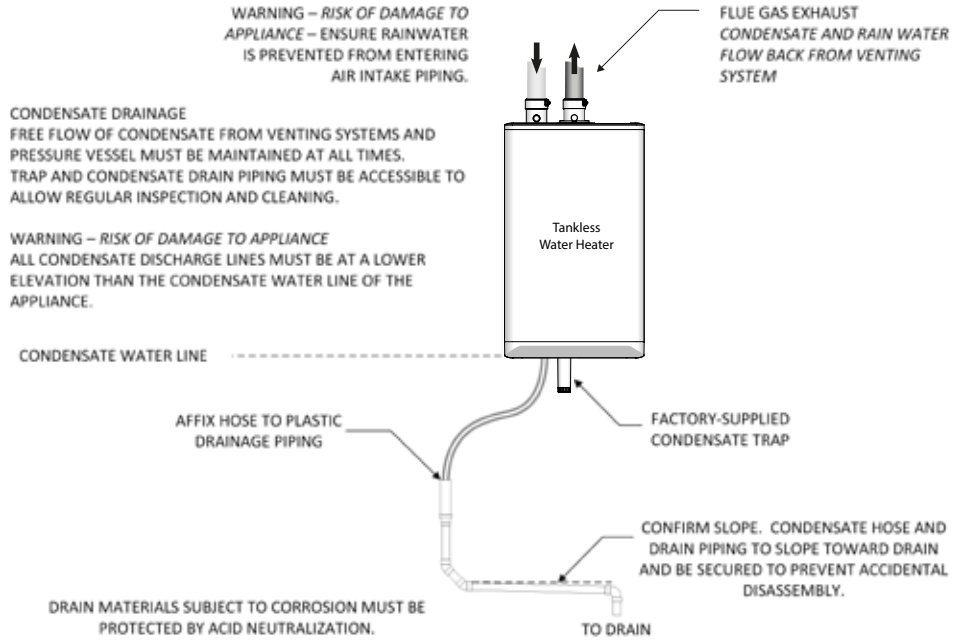


Figure 22: Condensate trap drainage

MAINTENANCE DETAILS FOR NT-1S CONDENSATE NEUTRALIZATION TANK

REFER TO MANUFACTURER'S MAINTENANCE INSTRUCTIONS FOR OTHER MAKES AND MODELS OF CONDENSATE NEUTRALIZATION TANKS.

WARNING - RISK OF INJURY
TANK FLUID CAN BE HIGHLY ACIDIC. DO NOT USE HANDS TO STIR MATERIAL.

WARNING - RISK OF DAMAGE TO APPLIANCE
NEUTRALIZATION TANK INLET AND DISCHARGE MUST BE AT A LOWER ELEVATION THAN THE CONDENSATE WATER LINE OF THE APPLIANCE.

NOTE - ACCESS TO THE DISCHARGE BEFORE THE DRAIN IS NECESSARY FOR PROPER MAINTENANCE IN ORDER TO CHECK THE EFFECTIVENESS OF THE NEUTRALIZING AGENT. A SIMPLE pH TEST SHOULD BE PERFORMED ANNUALLY TO ENSURE NEUTRALIZING AGENT IS STILL EFFECTIVE. IF pH FALLS BELOW 6.5 THE NEUTRALIZING MATERIAL SHOULD BE REPLACED. THE AGENT (LIMESTONE CHIPS WITH A MINIMUM CALCIUM CARBONATE CONTENT OF 85%) CAN BE PURCHASED FROM A LOCAL SUPPLIER.

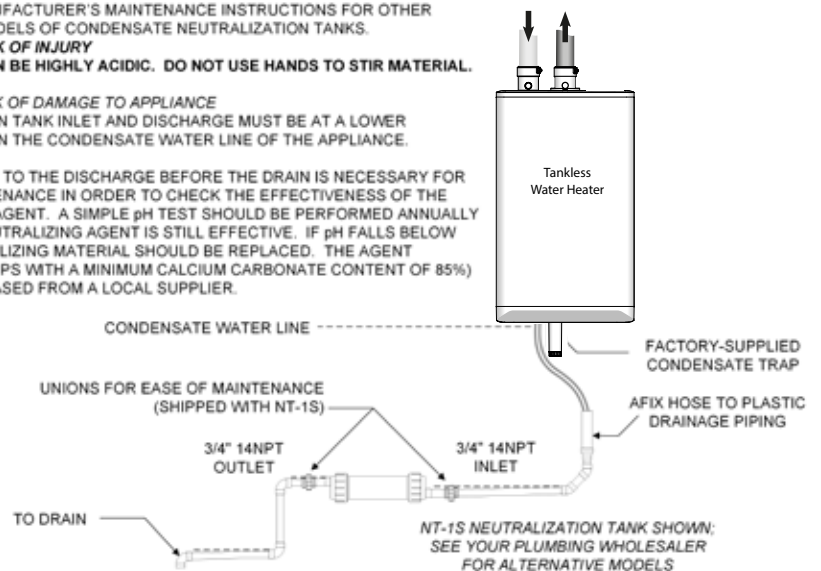


Figure 23: Condensate neutralization tank

⚠ DANGER

When this system requires water for space heating at elevated temperatures (above 125°F [52°C]), a mixing or tempering valve **MUST BE installed in the hot water supply line to the house in order to reduce the scald hazard potential.**

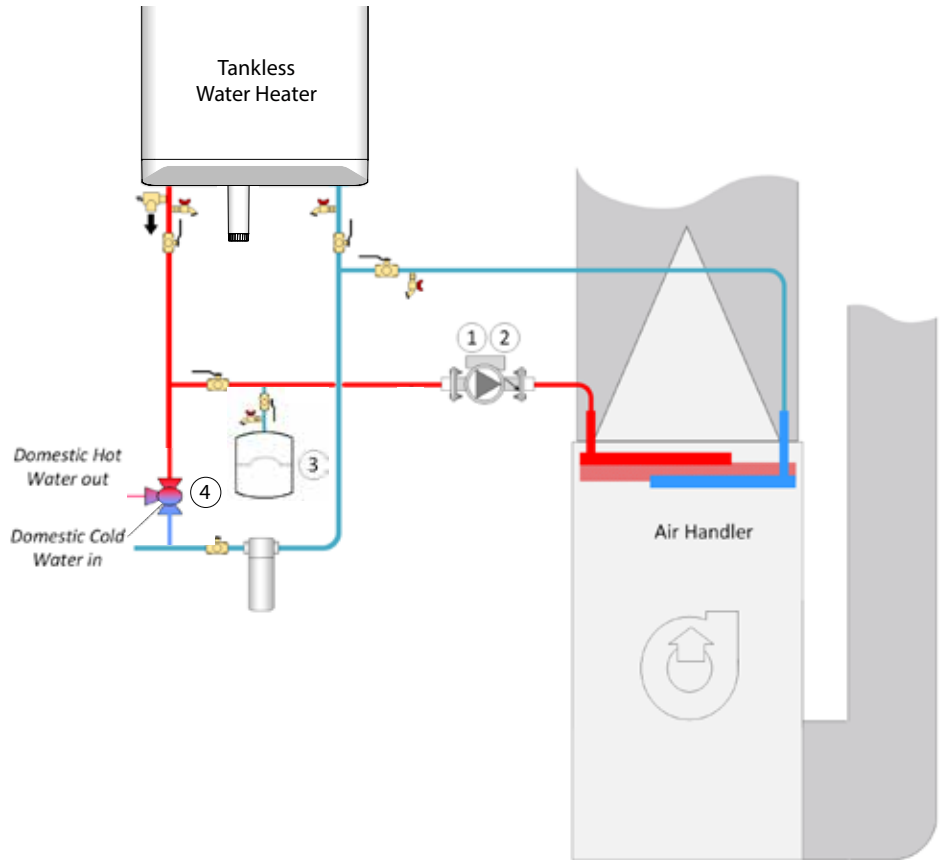
1.6 WATER AND SPACE HEATING APPLICATION

The following guidelines must be followed when using the water heater for both potable water heating and space heating.

- Any piping or components used in the installation of this water heater in a combination potable water and space heating application must be suitable for use with drinking water.
- If this water heater is installed in an application intended to supply domestic hot water needs and hot water for space heating purposes, **DO NOT** connect the water heater to an existing heating unit or components of a heating system that have previously been used with a nondrinking water system.
- Toxic chemicals such as those used for boiler treatment may be present and will contaminate the drinking water supply causing possible health risks. Never introduce toxic chemicals, such as glycol and those used for boiler treatment into the system.
- This water heater is **NOT** approved as the dedicated space heating unit.
- This water heater must be used for combination applications with an air handler only and not for indoor heating applications.

NOTE

Connection to space-heating circuit through potable water system as shown may be prohibited by local code.




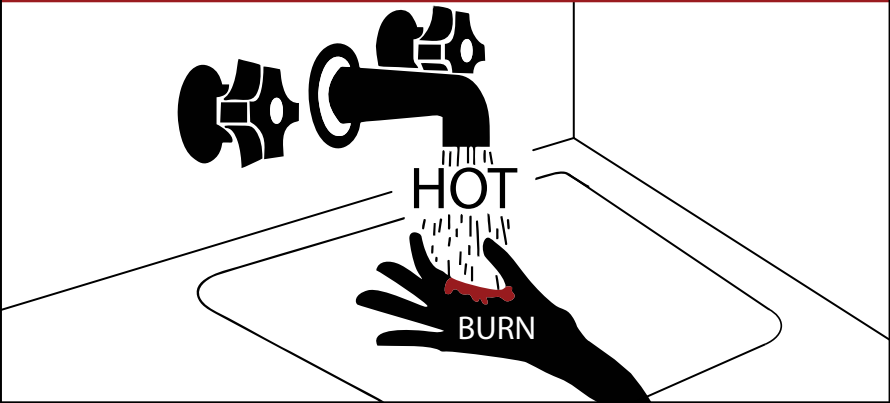
Note: connection to space-heating circuit through potable water system as shown may be prohibited by local code

①	Non-ferrous pump (sized for combined head loss of water heater and air handler)
②	Check valve (may be built into pump)
③	Potable water expansion tank
④	Mixing valve

Figure 24: DHW and Air Handler Piping

1.7 DOMESTIC HOT WATER SYSTEM


DANGER



- Water temperature over 125°F (52°C) can cause severe burns instantly or death from scalds.
- Children, disabled, and elderly are at highest risk of being scalded.
- See instruction manual before setting temperature at water heater.
- Feel water before bathing or showering.
- Temperature limiting valves are available, see manual.

WATER HEATER INSTALLATION GUIDELINES



WARNING

- This unit must be installed in accordance with local codes, if any; if not follow the National Fuel Gas Code, ANSI Z223.1/NFPA 54, or the Natural Gas and Propane Installation Code, CAN/CSA B149.1, as applicable.
- Failure to correctly install and operate this appliance can result in severe personal injury or death.
- The unit shall have a pressure relief valve installed within 6" [152mm] of the DHW HOT outlet connection.
Refer to the unit's User Manual before operating the relief valve.
- The unit requires a pressure relief valve identified with the ASME V or HV symbol and set to relieve at or below 150psi of domestic water pressure and a minimum relieving capacity of 199,000 Btu/hr with 3/4" NPT threads. For safe operation of the unit, the relief valve must not be removed from its designated point of installation or plugged.
- Read and follow warnings and instructions.

CAUTION

- Hotter water increases the risk of scald injury. Before changing the temperature setting, see instruction manual.

ADJUSTABLE TEMPERATURE SETTING

- Touch the panel above the white dot, then touch the Faucet . Adjust the water temperature with the Plus + and Minus - then touch the Return button  to save the changes.

⚠ WARNING**HOT WATER CAN SCALD!**

Water Temperatures over 125°F / 52°C can cause severe burns instantly or death from scalds.

Children, disabled, and elderly are at highest risk of being scalded.

- Never leave them unattended in or near the shower, bathtub or sink.
- Never allow small children to use a hot water faucet or draw their own bath.

TO AVOID INJURY:

- Feel and adjust water temperature before bathing or showering.
- Water drained from the system drain valve may be extremely hot.
- Make sure all connections are tight.
- Direct water flow away from any person.

⚠ NOTE

The limited warranty provided with the water heater does not cover defects, malfunctions or failures resulting from water conditions that are not in accordance with the specifications in the table 5.

1.7.1 Domestic Hot Water System

This Tankless Water Heater has a copper piping circuit for efficiently generating Domestic Hot Water. When a faucet is opened to draw hot water, water flow is detected with a flow sensor and the unit fires up to begin generating domestic hot water.

The heat exchanger has copper water passageways encased in the aluminum heat transfer block. The aluminum heat exchanger acts as a heat buffer, eliminating the “cold water sandwich effect” when turning on and off the water repeatedly.

While the Tankless Water Heater unit is less susceptible to lime scale build-up than other units on the market, always consider water quality in the installation. We strongly recommend treating hard water and adjusting the pH to 6.5 and 8.5. As a reference *Table 5* represents some of the drinking water guidelines published by the US EPA. Consult a water treatment adviser in your area to assess your local needs. Proper water treatment will aid in the longevity of the unit and ensure maximum efficiencies.

When installing and maintaining the water heater, you must consider water quality. Water conditions outside of the levels specified below may damage the water heater.

DESCRIPTION	MAX	MIN
Water Pressure	150 PSI	40 PSI
Programmable Water Temperature	149°F (65°C)	105°F (40°C)
Minimum DHW Flow Rate to Initiate Operation	N/A	0.5 GPM
pH	8.5	6.5
Total Dissolved Solids (TDS)	500 mg/L	
Total Hardness	250 mg/L 14.6 gr/gal	
Aluminum	0.2 mg/L	0.05 mg/L
Chlorides	250 mg/L	
Copper	1 mg/L	
Iron	0.3 mg/L	
Manganese	0.05 mg/L	
Zinc	5 mg/L	

Table 5: Recommended Water Quality Guidelines

NOTE

See Domestic Hot Water Warnings on page 1-25.



Figure 25: Overview of piping connections

WARNING

- Bacteria growth can develop in domestic hot water tanks and indirect water heaters if the minimum water temperature is not set high enough to prevent its growth.

- Failure to support the boiler fitting with a second wrench while tightening field piping may lead to boiler damage.

1.7.2 Domestic Hot Water Piping

The domestic water piping connections are located at the bottom of the unit, see Figure 1b. The connections are 3/4" male NPT threads. The cold water inlet is on the right side and the hot water outlet is on the left side.

Use two wrenches when tightening field piping onto the boiler. Use one wrench to hold the boiler fitting still while tightening with another wrench.

An installer supplied pressure relief valve meeting the following requirements must be installed:

- Maximum pressure rating of 150 PSI.
- Minimum capacity of 200,000 Btu/hr.
- On the domestic hot water outlet prior to any isolation valve.

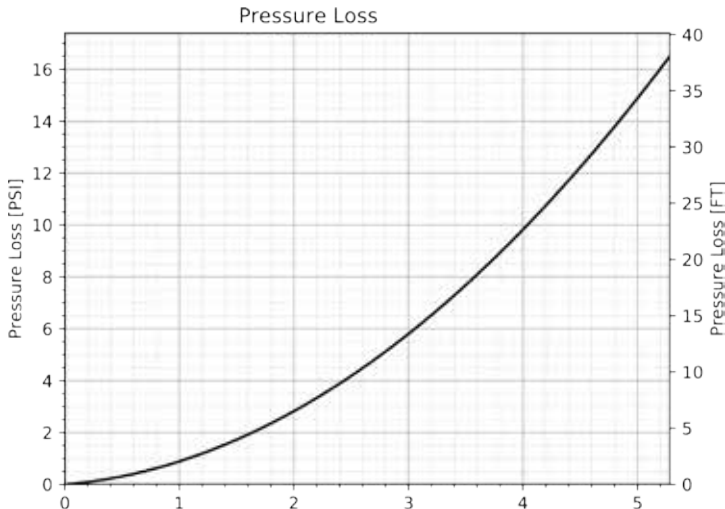
Installation of a tankless water heater service valve kit with pressure relief valve is recommended for ease of servicing the DHW coil in the future.

The Tankless Water Heater can be connected to the pressurized 1/2" or larger domestic cold water supply piping and the domestic hot water piping in the home. The minimum domestic water pressure required is 40PSI and recommended to be 50PSI or higher. Generating domestic hot water with a water pressure lower than 40PSI reduces the amount of hot water generated and increases the risk of scaling in the heat exchanger.

The domestic water piping must be installed with isolation valves and flushing taps installed on both the cold and hot domestic connections.

Thermal expansion of the water in the domestic hot water (DHW) system can occur without DHW usage such as in DHW Comfort Mode. As the small volume of DHW in the heat exchanger is heated, it expands in volume and creates an increase in the pressure within the water system. Check with your local water utility company to determine if a check valve has been installed in the cold water line. If a check valve has not been installed, the expanding water volume flows back into the main, dissipating pressure. If a check valve has been installed, the expanding water volume will increase the pressure within the homes water system. A DHW expansion tank is typically not required due to the low volume of DHW in the heat exchanger. If the pressure increase causes operation of the pressure relief valve, a DHW expansion tank must be installed.

The cold water inlet includes a filter to prevent contaminants from fouling the flow sensor and heat exchanger. See maintenance section 4.1.12 for cleaning procedure.



Graph 1: Water Heater Pressure Drop

CAUTION

A field supplied thermostatic mixing valve may be installed on the domestic hot water piping connections at the unit or at the outlet of a domestic hot water storage tank.

DOMESTIC HOT WATER DELIVERY

@ 67°F / 37.2°C temperature rise

199,000 Btu/hr	5.4 GPM
----------------	---------

1.7.3 Tankless Domestic Hot Water with a Storage Tank

The Tankless Water Heater has the ability to connect a domestic hot water storage tank to the unit to provide larger volumes of domestic hot water during peak demands.

The storage tank is piped to the unit's domestic hot and cold water piping connections (see B in Figure 26). You must install a bronze or stainless steel pump to circulate water from the storage tank through the unit's domestic hot water coil.

The storage tank aquastat will enable the pump causing the unit to fire when the temperature drops below the aquastat setpoint. The unit's DHW setpoint must be set higher than the storage tank aquastat setpoint. Once the storage tank temperature has reached its setpoint, the aquastat will disable the pump.

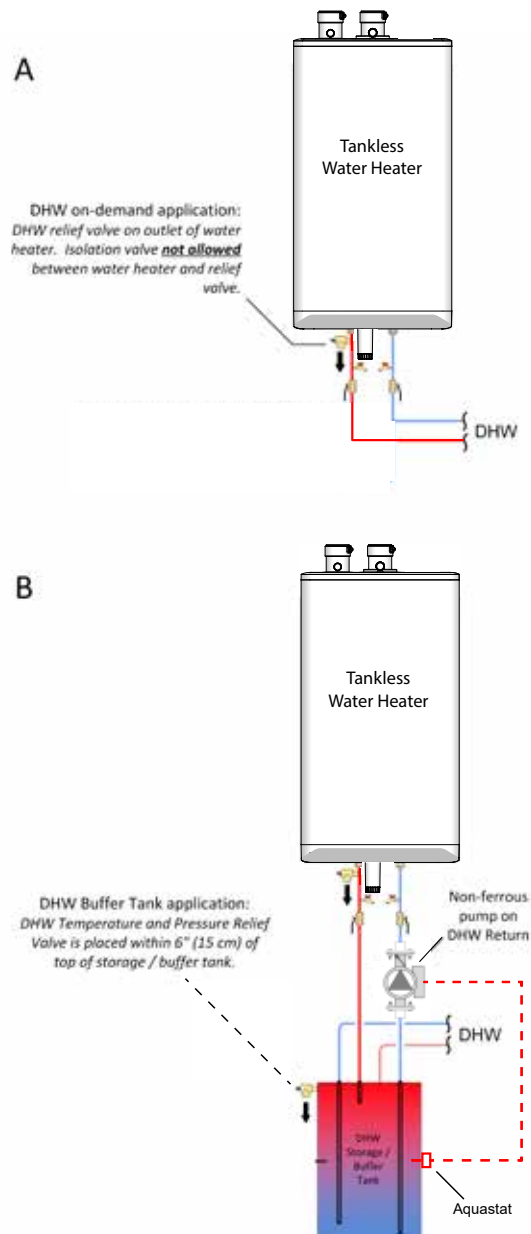
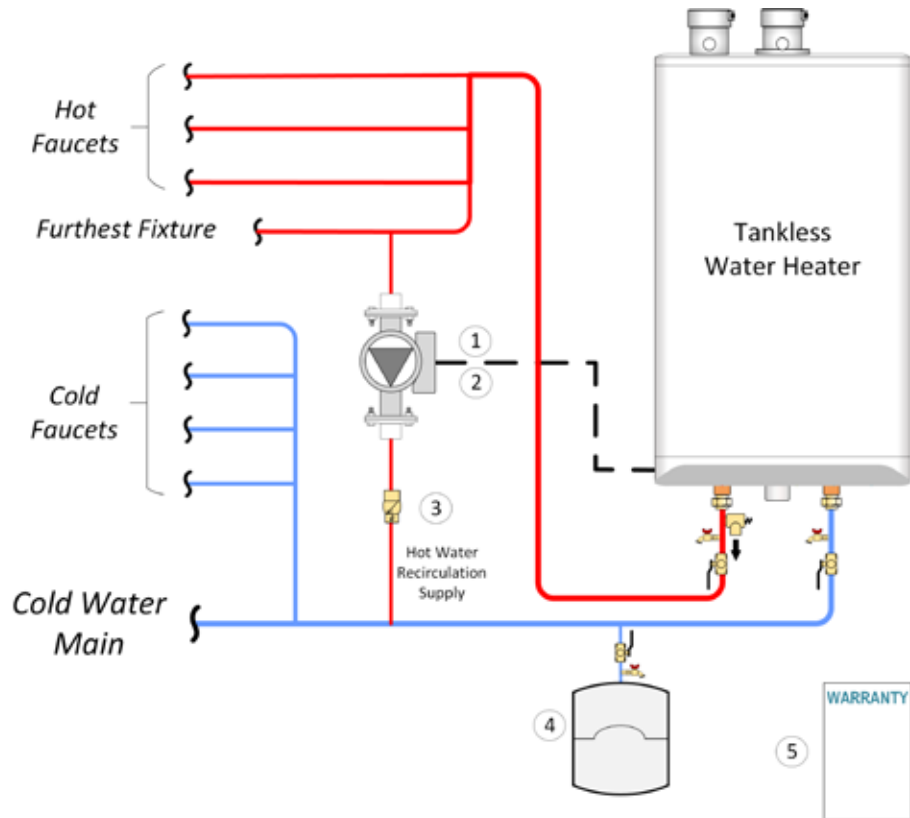


Figure 26: Tankless DHW Piping Options – concept drawing. This drawing is only a simple schematic guide.



Notes

- ① The tankless water heater can operate the domestic hot water recirculation pump when wired to the X3 or X4 terminals. See the Tankless Water Heater Controller Manual for required parameter changes.
- ② The pump must be designed for use in potable water systems and have a flow rate greater than 0.5 gpm. The recirculation line and tankless water heater pressure drop must be taken into account when selecting a pump. Reference Graph 1 in the Tankless Water Heater Installation Manual for the tankless water heater pressure drop. Recommended pumps include Taco 006e3 and Grundfos UP 15-18 B5.
- ③ If the recirculation pump does not contain a check valve, an external check valve must be added to the recirculation line.
- ④ Potable Expansion Tank is required where backflow check valves are installed.
- ⑤ Domestic Hot Water Recirculation affects the terms of your Warranty. See Warranty document for details.

Figure 27: Typical DHW Recirculation piping – concept drawing. This drawing is only a simple schematic guide

⚠ WARNING

Failure to support the boiler fitting with a second wrench while tightening field piping may lead to boiler damage.

⚠ WARNING

This tankless water heater can burn either natural gas or propane. Refer to section 3.3 for further instruction. If converting a unit from one fuel to another, you must order a conversion kit prior to the conversion. Install the conversion kit according to the detailed instructions supplied with the kit. Failure to perform the required fuel conversion correctly can result in serious injury or death.

⚠ NOTE

It is essential to check gas supply pressure to each unit with a manometer or other high-quality precision measuring device. Pressure should be monitored before firing the unit, when the regulator is in a “lock-up” condition and during operation, throughout the unit’s full modulation range.

Pay special attention to retrofit situations where existing regulators may have an oversized orifice and/or worn seats, causing pressure “creep” and high lock up pressures.

⚠ WARNING

Do not check for gas leaks with an open flame, use the bubble test. Failure to use the bubble test or check for gas leaks can cause substantial property damage, serious injury, or death.

1.8 GAS PIPING

The unit must have an inlet gas pressure of at least 4.0" w.c. for natural gas and propane. For either fuel, the inlet pressure shall be no greater than 14.0" w.c. Confirm this pressure range is available with your local gas supplier.

The inlet gas connection of the unit’s gas valve is 3/4" NPT (male).

Use two wrenches when tightening field piping onto the boiler. Use one wrench to hold the boiler fitting still while tightening with another wrench.

Adequate gas supply piping must be provided with no smaller than 1/2" Iron Pipe Size and a 1" w.c. pressure drop, in accordance with the following chart:

MODEL	1/2" IPS	3/4" IPS	1" IPS
199,000 Btu/hr (Natural Gas)	10'	40'	150'
199,000 Btu/hr (Propane)	30'	125'	400'

Table 6: Maximum Pipe Length (ft)

Gas piping must have a sediment trap ahead of the unit’s gas valve (see Figure 29). A manual shutoff valve must be located outside the unit, in accordance with local codes/standards. All threaded joints in gas piping must be made with an approved piping compound resistant to the action of natural gas/propane. Use proper hangers to support gas supply piping as per applicable codes.

Before placing the boiler into operation, the boiler and all gas connections must be checked for leaks.

- Close the gas shutoff valve during any pressure testing equal to or less than 1/2 psi (3.5 kPa).
- Disconnect the boiler and gas shutoff valve from the gas supply during any pressure testing greater than 1/2 psi (3.5 kPa).

The gas valve is provided with pressure taps to measure gas pressure upstream (supply pressure) and downstream (manifold pressure) of the gas valve (see Figure 28). Note that manifold pressure varies slightly in accordance with firing rates with the modulating series units, but will always be close to 0" w.c.

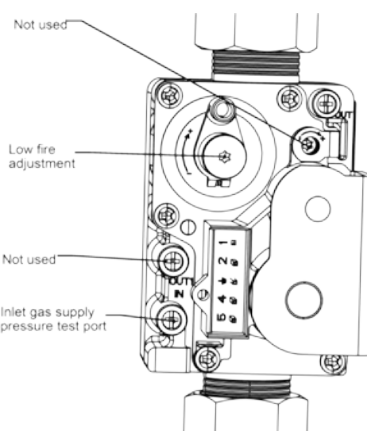


Figure 28: Gas Valve

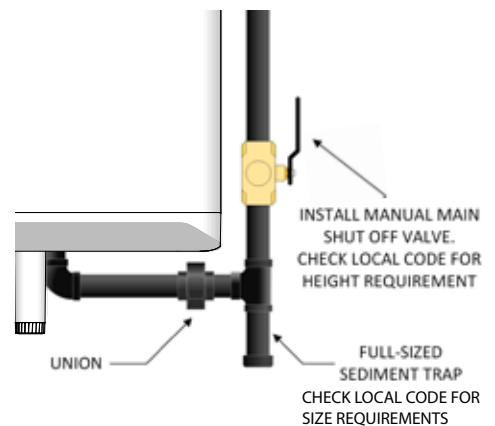


Figure 29: Gas Piping

⚠ WARNING

Do not apply power to any connection point on the controller's terminal strips. A hazardous situation could occur resulting in possible serious injury or death.

⚠ NOTE

The unit (like any modern appliance that contains electronic equipment), must have a "clean" power supply, and can be disabled by power surges and spikes, lightning strikes and other forms of severe electrical "noise". Power conditioning equipment (surge protectors, APC or UPS devices) may be required in areas where power quality is suspect.

1.9 ELECTRICAL CONNECTIONS

Electrical wiring to the unit (including grounding) must conform to local electrical codes and/or National Electrical Code, ANSI/NFPA No. 70 – latest edition in the US or The Canadian Electrical Code, C22.1 - Part 1 in Canada.

1.9.1 120VAC Line Voltage Hook-up

(Refer to Section 6.2. Wiring Diagram on page 6-4). Connect the unit to the grid power, using the supplied appliance plug in a separate non GFCI fused circuit and on/off switch within sight of the unit.

1.9.2 Accessing Controller Terminal Strip

Pull out on the two control module retaining tabs then flip down the control to access the terminal strip.

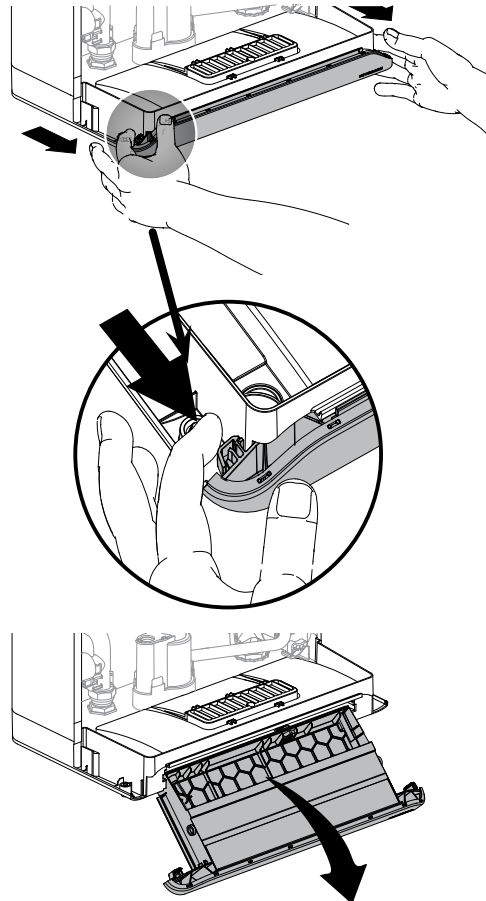


Figure 30: Pulling out the tray

1.9.3 Power Quality and Electrical Protection

In areas of unreliable power, appropriate surge protectors and/or power conditioning equipment should be installed to protect the unit.

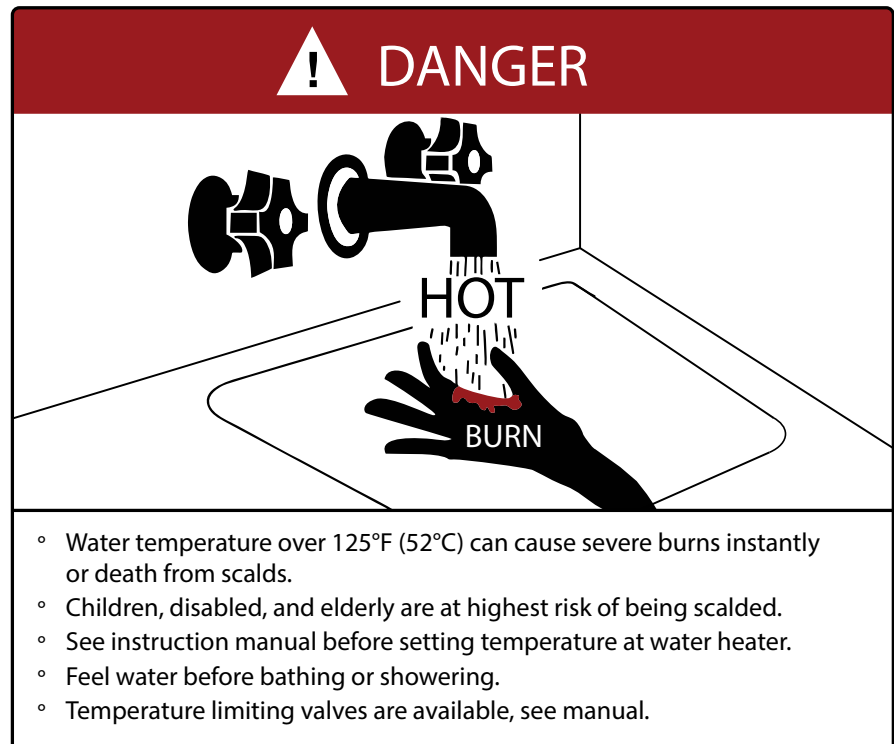
2.0 UNIT SYSTEM OPERATION

2.1 GENERAL

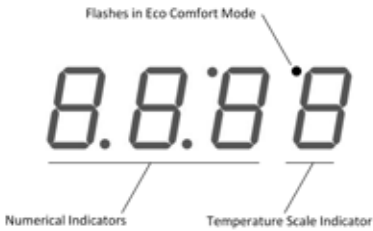
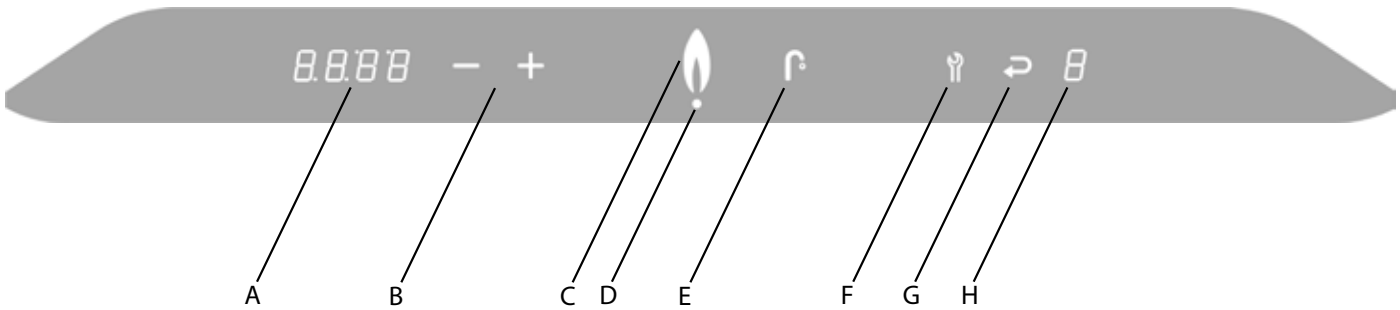
The Tankless Water Heater can be used as a tankless water heater, with or without a storage tank.

The unit is equipped with an electronic unit controller that ignites the burner and continuously monitors the flame throughout each call for heat. The controller also displays the current operating conditions of the unit and any error messages should a problem occur.

The unit's controller also provides frost protection. When the unit's heat exchanger temperature becomes too low the burner switches on to keep the heat exchanger warm. Ensure that the condensate trap is protected from freezing. The unit must be installed indoors in a heated space.



2.2 CONTROL



ICON	FUNCTION	
A	Numerical Display	Main Display
B	Plus & Minus	Temperature Adjustment
C	Flame	Burner ON Indicator
D	Dot	Power ON Indicator
E	Faucet	DHW Indicator
F	Wrench	Service / Reset
G	Return Arrow	Enter / Save
H	Numerical Display	Service Display

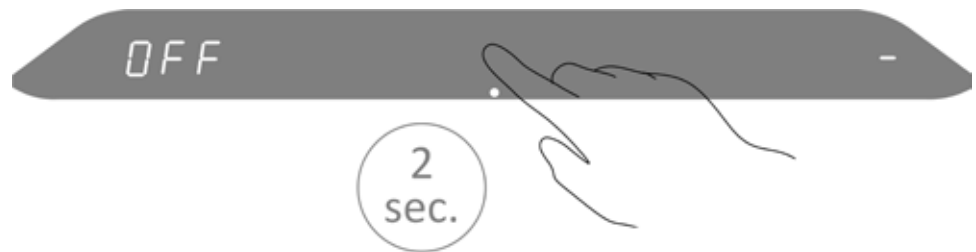
Table 7: Controller Indicators and Touch Pad

2.3 INSTALLER INTERFACE

2.3.1 Turning Appliance ON/OFF

To turn on the unit, touch the area above the dot for 2 seconds. Now only the dot is illuminated.

To turn off the unit, touch the area above the dot for 2 seconds. A dash appears on the right and the text "OFF" is displayed on the left.



NOTE

The domestic hot water thermostat is adjusted to its lowest temperature position when shipped from the factory. It's recommended to set the domestic hot water thermostat to 120°F/49°C as an initial setting and further adjust as required. For energy efficient operation, this setting should be set as low as practical for the consumer's needs.

2.3.2 Programming Mode

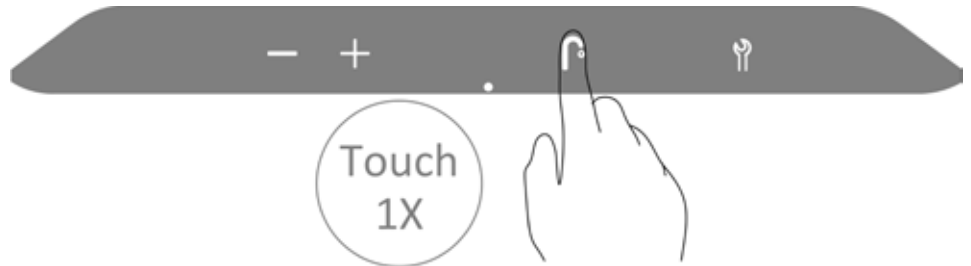
There are two parameters available in the User Setup Menu.

The controller has five levels: User Menu, Installer Menu (code 15), a Master Installer Menu (code 20), RF Menu (code 30) and Cascade Menu (code 35). See *included Controller Manual* for details.

Adjusting the Domestic Hot Water Temperature

To access the main menu:

1. Touch the area above the dot.
2. Touch the Faucet button.



3. To change the DHW target temperature, touch the Plus or Minus buttons.



- 4.

- To save the changes, touch the Return button.
- To exit without saving the changes, touch the area above the dot.



"P" to the right of the screen indicates that the changes have been saved.



2.4 TANKLESS DOMESTIC HOT WATER MODES

2.4.1 Tankless Domestic Hot Water - Standard and ECO Comfort Modes

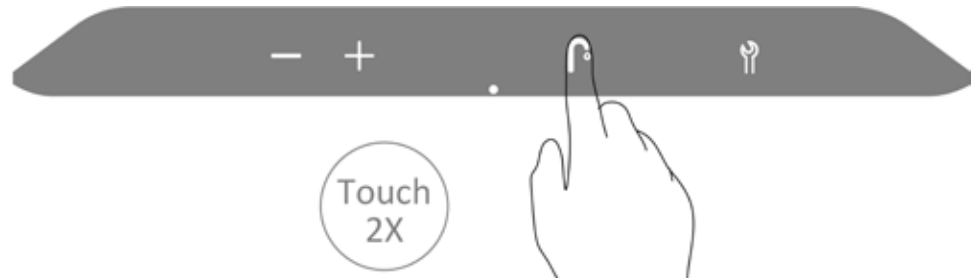
Standard Mode (OFF): The heat exchanger will not maintain its domestic hot water temperature between demands for hot water.

Comfort Mode (ON): The heat exchanger is maintained at the DHW temperature.

ECO Comfort Mode (ECO): This mode operates like the Comfort Mode but has the added advantage of learning when the domestic hot water is used. During the low use periods, the heat exchanger is allowed to cool.

To switch between the 3 modes:

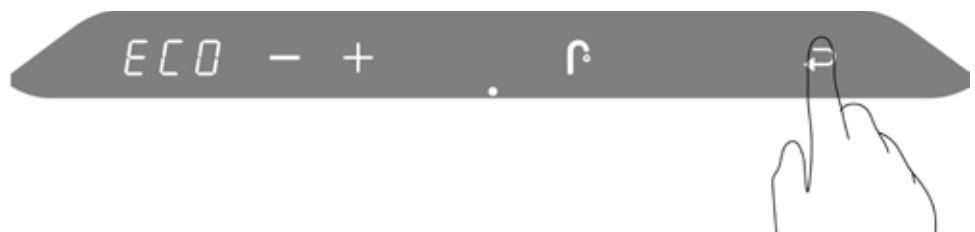
1. Touch the area above the dot.
2. Touch the Faucet button twice.



3. To change the DHW mode, touch the Plus or Minus buttons.



4.
 - To save the changes, touch the Return button.
 - To exit without saving the changes, touch the area above the dot.



“P” to the right of the screen indicates that the changes have been saved.




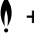

▲ NOTES

The unit is equipped with a frost protection feature. This feature operates the unit's burner to help protect the unit from freezing. If the unit is in a hard lock-out condition the burner will not operate. The manufacturer is not responsible for damages to the unit, and/or related components, nor property damages that may result from freezing conditions.

2.5 SEQUENCE OF OPERATION

When the unit is powered up the controller enters a self-diagnostic mode, and displays the controller software version in the main display.

The sequence of operation is as follows:

1. The unit receives a call for domestic hot water heating from the internal flow sensor.
2. The unit performs a safety check and energizes the fan for a pre-purge (*Service Display = 3*).
3. Once the 5-second pre-purge is complete, the unit enters a 5-second trial for ignition (*Service Display = 4*). If the unit fails to ignite, the unit will complete another 5-second pre-purge then 5-second trial for ignition. This is repeated 4 times before a hard lock-out occurs. The Return button  must be pressed to reset the controller and begin another trial for ignition.
4. Once the burner is lit and flame has been proven the unit operates as it is programmed (*Display =*  +  for domestic hot water).
5. If the unit exceeds its target temperature and there is still a call for hot water the burner will turn off. (*Service Display = 1*)
6. If the burner is on to maintain the heat exchanger temperature for DHW Comfort mode (*Service Display = 7*).
7. If the burner is on for frost protection (*Service Display = 9*).

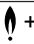

MAIN DISPLAY	SERVICE DISPLAY	DESCRIPTION
OFF	-	The unit is OFF. Press the space above the dot for 2 seconds to turn on the unit.
(blank)	(blank)	No Call for Hot Water - Standby
XXX	1	Unit water temperature exceeds target, call still present
XXX	2	Self-test – When power is applied to the unit the controller enters a self diagnostic mode for 5 seconds
XXX	3	Fan Pre-purge and Post-purge
XXX	4	Trial for Ignition and Flame Proving
XXX	 + 	Heating – DHW
XXX	7	Burner on for DHW Comfort mode
XXX	9	Freeze Protection mode

Table 8: Operating Display and Service Display Codes.

2.6 ACCESSING THE INFORMATION MENU

The Information menu provides real time operating information to assist with troubleshooting.

To access the Information menu:

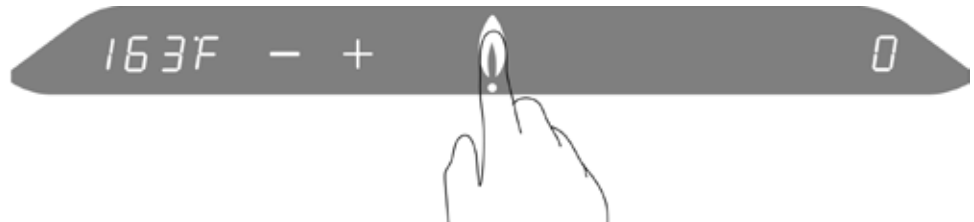
1. Touch the area above the Dot.
2. Touch and hold the Wrench button for two seconds, let go when the minus, plus, and wrench are displayed.



3. Again, touch and hold the Wrench button for two seconds to enter the information menu.

See table 9 for a list of codes and corresponding description.

4. To scroll through the list of codes, use the Minus or Plus button.
5. To exit the information menu and return to the Service menu, press the area above the Dot.



See below for a description of the codes:

CODE	DISPLAY	EXAMPLE
A	Flame current in μ A	9.80A
b	DHW flow in L/min or Gallon/min tankless/combi models only	8.098
C	Boiler system pressure boiler models only	8.18P
F	Estimated power input in kW or MBH	8.116
P	Actual pump speed in % boiler models only	8.842
E	Last lock-out code	F031
-	Main processor software	2.1.60
=	DSP software	2.1.20
0	Temp. S0 (Heat Exchanger)	134F
1	Temp. S1 (Boiler Supply)	118F
2	Temp. S2 (Not Applicable)	8.-.F
3	Temp. S3 (Domestic Hot Water)	125F
4	Temp. S4 (Domestic Cold Water)	8.50F
5	Temp. S5 (Flue)	142F
6	Temp. S6 (Outdoor) - optional	8.17F
7	Temp. S7 (DHW tank) - optional	124F
r	Cascade Communication	8.44L

Table 9: Information Menu

Note that display parameters may differ depending on the configuration. Where there is no DHW sensor, the display reading can be ignored.

⚠ CAUTION

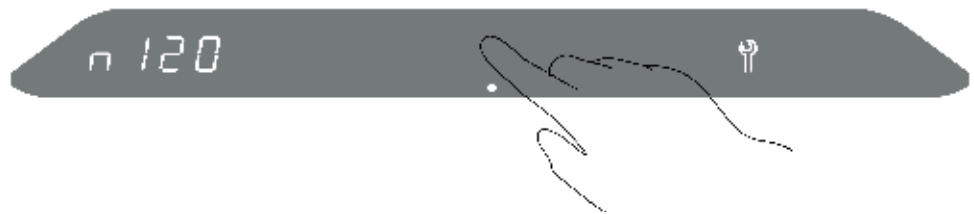
The maintenance counter must only be reset after performing the maintenance procedures in Section 4.0 Maintenance of this manual. Failure to perform maintenance can result in a hazardous condition.

2.7 RESETTING THE MAINTENANCE COUNTER

Inspection of the unit must be performed annually by a qualified service technician. This unit includes a maintenance counter which tracks the amount of fuel burned within a two year period to ensure maintenance is performed if usage exceeds typical residential usage. When above average usage occurs within a two year period, a notification code will be displayed.

To reset the maintenance counter and clear a maintenance notification code:

1. Touch the area above the dot.



2. Touch the wrench for two seconds until the return button appears.



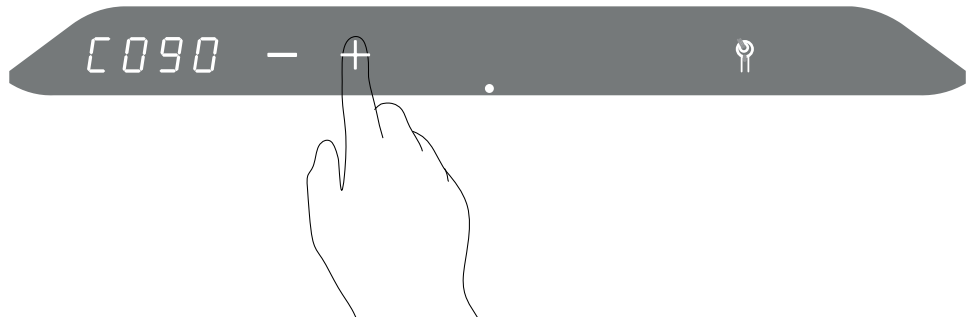
3. Touch wrench and return buttons together.



The code numbers are displayed in the left numerical display.



4. Change C000 to C090 by touching the + button.



5. Touch wrench to enter the maintenance menu.



The current maintenance counter value is displayed in the left numerical display.



The following notifications will be displayed as the time for maintenance approaches.

MAINTENANCE COUNTER	NOTIFICATION CODE
80	n120 - Maintenance recommended
100	n121 - Maintenance required, limited DHW output
120	n122 - Maintenance required, no DHW output

The notification code will be displayed for 30 seconds and the wrench will flash. Press the wrench button to see the notification code again after 30 seconds.

6. Touch the wrench to reset the maintenance counter to 0.



7. Touch return to resume normal operation.



P will be briefly displayed on the right screen to indicate the change has been stored.



3.0 STARTUP & COMMISSIONING

3.1 LIGHTING & SHUTTING DOWN THE UNIT

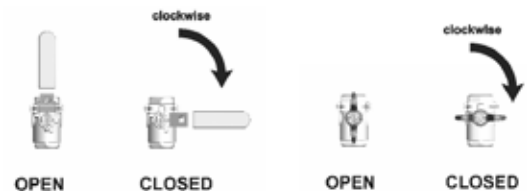
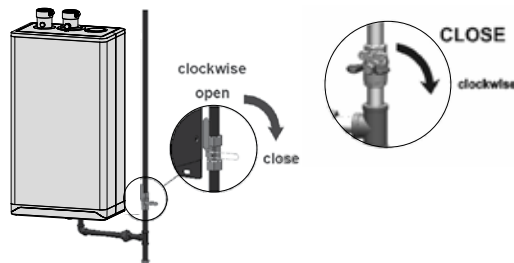
FOR YOUR SAFETY READ BEFORE OPERATING

WARNING: If you do not follow these instructions exactly, a fire or explosion may result causing property damage, personal injury or loss of life

- A. This appliance does not have a pilot. It is equipped with an ignition device which automatically lights the burner. Do not try to light the burner by hand.
- B. **BEFORE OPERATING** smell all around the appliance area for gas. Be sure to smell next to the floor because some gas (LP) is heavier than air and will settle on the floor.
- WHAT TO DO IF YOU SMELL GAS**
- Do not try to light any appliance.
 - Do not touch any electric switch; do not use any phone in your building.
 - Immediately call your gas supplier from a neighbor's phone. Follow the gas supplier's instructions.
 - If you cannot reach your gas supplier, call the fire department.
- C. Use only your hand to turn the gas control valve. Never force using tools. If the valve will not turn by hand, don't try to repair it, call a qualified service technician. Force or attempted repair may result in a fire or explosion.
- D. Do not use this appliance if any part has been under water. Immediately call a qualified service technician to inspect the appliance and to replace any part of the control system and any gas control which has been under water.

OPERATING INSTRUCTIONS

1. **STOP!** Read the safety information above on this label before doing anything.
2. Set the thermostat to lowest setting.
3. Turn off all electric power to the appliance by selecting main power switch to OFF.
4. This appliance is equipped with an ignition device which automatically lights the burner. Do not try to light the burner by hand.
5. Locate manual gas shut-off valve (see pictures below) and turn clockwise to "CLOSE".
6. Wait five (5) minutes to clear out any gas. Then smell for gas, including near the floor. If you smell gas, **STOP!** Follow step "B" in the safety information above on this label. If you don't smell gas, go to the next step.
7. Turn gas control valve to OPEN.
8. Turn on electric power to appliance by turning main power switch to ON.
9. Set thermostat to desired setting.
10. If the appliance will not operate, follow the instructions "TO TURN OFF GAS APPLIANCE" and call your service technician or gas supplier.



TO TURN OFF GAS APPLIANCE

1. Set the thermostat to lowest setting.
2. Turn off all electric power to the appliance by turning main power switch to OFF.
3. Turn gas control valve to CLOSE.

⚠ DANGER

- Fill trap with water before unit is first fired to prevent exhaust fumes from entering room. Never operate the unit unless the trap is filled with water.

Failure to comply will result in severe personal injury or death.

- It is forbidden to make adjustments to the gas valve except with a properly calibrated gas combustion analyzer by persons who are trained and experienced in its use. Failure to use an analyzer can result in an immediate hazard.

3.2 PRIOR TO START-UP

3.2.1 Pre-Ignition Checks

1. Fill the condensation trap. Ensure the venting system is complete and seal-tested. Confirm that any common venting system at the installation site is isolated and independent of the unit, that any holes left from removal of a previous unit have been sealed, and that any resizing of the old flue has been done.
2. Confirm that the pressure relief valve is installed and discharge line is directed downward to a safe point of discharge
3. Check to see that adequate gas pressure is present at the inlet gas supply test port. With the unit gas valve shut off, using a Torx 15 screwdriver, open the test port by turning 1 full turn counterclockwise. Connect a manometer and open the manual gas valve. Requirements are **minimum 4" w.c. and maximum 14" w.c.** Check that there are no gas leaks.
4. Perform a final check of electrical wiring and provide power to the unit to initialize operation.

3.2.2 Test Ignition Safety Shutoff

With the unit in operation, test the ignition system safety shutoff device by shutting off the manual gas valve immediately outside the unit case. Ensure that the unit has shut off and that the appropriate error information is displayed on the main display screen. To restart the unit, press the Reset button.

3.3 COMMISSIONING

The Tankless Water Heater is factory calibrated to operate with natural gas at sea level. High Fire combustion is set by the orifice installed and is not field adjustable. A low calorific value natural gas orifice (See Table 10) is available for locations where the natural gas calorific value falls below the expected range of 950-1100 BTU/Ft³. Consult your local fuel provider for your fuel's calorific value. Low fire is field adjustable via the low fire adjustment on the gas valve but must be done with caution. No mixture adjustment may be performed unless done by a qualified technician using a properly functioning and calibrated combustion analyzer.

This unit can burn either natural gas or propane if equipped with the correct specified orifice. Examine the rating plate of the unit to ensure it is configured for the fuel you are using. If the unit is to be converted from natural gas to propane or from propane to natural gas a fuel conversion kit must be installed. For the correct fuel conversion kit part number, see the table below:

MODEL	NATURAL GAS TO PROPANE	PROPANE TO NATURAL GAS	LOW CALORIFIC NATURAL GAS
199,000 Btu/hr	P-081014	P-081024	P-081414

Table 10: Fuel conversion kits

The gas valve will automatically de-rate the maximum input by approximately 2% per 1,000' above sea level. The gas valve's zero governor will ensure that the gas-air mixture is not affected at altitude.

⚠ WARNING

Check the rating plate of the unit to ensure it is configured for the fuel you are using. If the fuel is incorrect for the appliance, a conversion kit must be installed as listed in Table 10 and the gas valve adjusted accordingly.

Failure to perform the required fuel conversion can result in an immediate hazard.

⚠ DANGER

Attempting to change high fire combustion by adjusting the low fire combustion adjustment could lead to unstable operation, failed ignitions, or dangerous operating conditions.

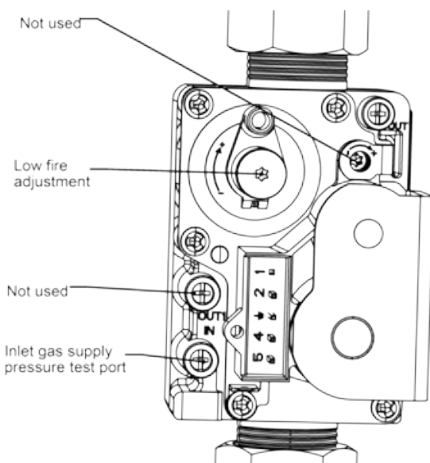


Figure 31 Gas Valve Adjustment

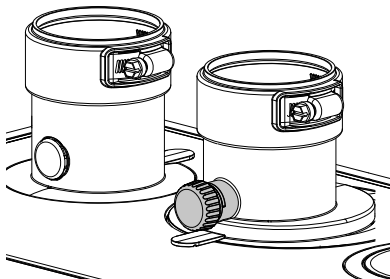

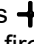
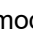
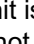
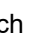
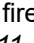


Figure 32: Flue gas test port plug

To verify the proper operation of the gas valve in the field, the following procedure can be carried out by a qualified technician (see diagrams on this page).

1. Turn off the unit's manual gas valve. With a Torx 15 screwdriver, open the inlet gas supply pressure test port by turning its screw 1 full turn counterclockwise. Attach a manometer to the pressure test port. Turn on gas to the appliance. Static manometer reading should be ideally 7" w.c., for natural gas and 11" w.c. for propane. Minimum and maximum static pressure must be between 4" and 14" w.c. Monitor pressure throughout the commissioning procedure. Pressure may droop up to 1" at high fire.
2. Allow the unit to ignite / run against a large load. To maintain high fire, press the flame icon, then press and hold the Wrench  icon for two seconds. Then while holding the Wrench icon press the Plus  button twice. "H" will show in the service display as the unit enters high fire.

NOTE: Allow the unit to operate at high fire for 3 minutes to stabilize. (The unit operates in manual mode for 10 minutes then switches back to the normal operating mode. To extend manual mode operation, press the Wrench  and Plus  together twice while the unit is operating in manual mode to reset the timer for 10 more minutes.) Do not take measurements if the service display shows an "h".

3. Clock the natural gas meter to confirm full maximum rating plate input. With a combustion analyzer probe in the flue gas test port, check the measured results against Table 11 - High Fire. If the results are outside the permitted range, check the inlet pressure, and confirm that the correct orifice and venturi are installed. High Fire CO₂ is set by the orifice installed and is not field adjustable. For areas of lower calorific value natural gas, install the alternative orifice listed in Table 10.
4. Switch the unit to low fire by pressing the Wrench  button and Minus  buttons at the same time. The unit will drop to low fire. "L" will show on the service display. Compare the readings with Table 11 - Low Fire. If adjustment is necessary, remove the low fire adjustment cap to reveal a Torx head screw. Make minimal adjustments, typically less than 1/8th of a turn at a time. Turn the screw clockwise to increase CO₂ and counter-clockwise to reduce CO₂. If the target cannot be met, even after a full turn, contact the factory. When finished, replace the low fire cap, and leave the manual mode by pressing + AND - simultaneously.
5. Switch off the unit by pressing the space above the dot for two seconds. Turn off the gas at the unit's manual gas valve. Remove the flue gas analyzer from the test port and reinstall the test port cap. Remove the gas pressure manometer from the gas valve and fully close the test port. Turn on the gas at the manual gas valve. Ensure that there are no gas leaks and reinstall the front cover. Turn on the unit by pressing the space above the dot for two seconds.

⚠ DANGER

Operating any unit using a fuel other than the fuel listed on its rating plate is prohibited. If the information in this section related to conversion to alternative fuels is not followed exactly, a dangerous situation can result, leading to fire or explosion, which may cause property damage, personal injury, or loss of life.

PROPANE ORIFICE CHART

MODEL	ORIFICE SIZE
199,000 Btu/hr	535

NATURAL GAS ORIFICE CHART

MODEL	ORIFICE SIZE
199,000 Btu/hr	660

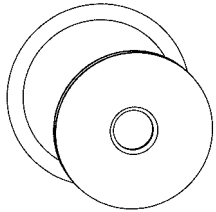


Figure 33: Orifice and O-ring

⚠ WARNING

Ensure the part kit and orifice are correct for the appliance model and fuel type prior to performing the fuel conversion.

3.4 FUEL CONVERSION

The unit is factory fire-tested to operate with natural gas as shown on the rating plate. Firing a unit with a fuel other than what is listed on the rating plate is prohibited unless the following conversion procedure is completed by a qualified technician.

Fuel conversion requires hardware adjustments (orifice replacement) as well as measurement and possible tuning of the low fire mixture. Detailed instructions including parts and labeling are found in Fuel Conversion kits. Refer to Table 10 for the correct kit number.

	NATURAL GAS	PROPANE
CO₂ VALUE (%) AT HIGH FIRE WITH THE FRONT COVER OPEN¹		
Max. CO ₂ value	10.3%	11.0%
Min. CO ₂ value	8.7%	9.8%
CO LIMIT (PPM) AT HIGH FIRE WITH THE FRONT COVER OPEN²		
Max. CO limit	< 150ppm	<250ppm
CO₂ VALUE (%) AT LOW FIRE WITH THE FRONT COVER OPEN		
Max. CO ₂ value	= value at High	= value at High – 0.3%
Min. CO ₂ value	8.7%	9.5%

Table 11: Acceptable High and Low Fire Combustion Values

¹ High Fire CO₂ is set by the orifice installed and is not field adjustable.

² If the CO reading exceeds the limit in this table, the unit must be shut down until the cause of excessive CO readings is corrected.

The following procedure must be carried out by a qualified technician.

1. Ensure that the gas supply is turned off at the manual gas valve.
2. Disconnect the electrical power.
3. Disconnect the nut at the gas valve outlet (top of the gas valve) and remove the orifice and O-ring.
4. Insert the correct orifice into the O-ring, and re-install into the nut at the gas valve outlet (top of the gas valve) and then tighten the nut.
5. Restore the gas supply by opening the manual gas valve.
6. Test for leaks by using an approved leak detection solution on all joints.
7. Carefully follow the "Prior to Start-Up" – Section 3.2 and "Commissioning" – Section 3.3 procedures on the preceding page 3-2.

⚠ WARNING

Each unit is equipped with a back flow valve installed at the outlet of the fan. Inspect the back flow flapper annually.

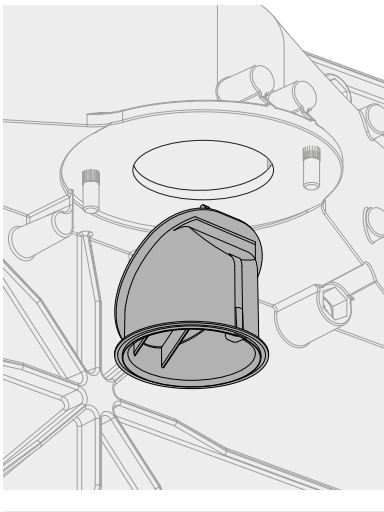


Figure 34: Back Flow Valve

⚠ NOTE

The Caution regarding burner refractory on page 4-2 of this manual must be observed.

⚠ CAUTION

When removing the heat exchanger cover in step 6, be careful not to damage the burner and refractory material located on the opposite side of the heat exchanger cover. Use caution when handling refractory materials. See Caution on page 4-2.

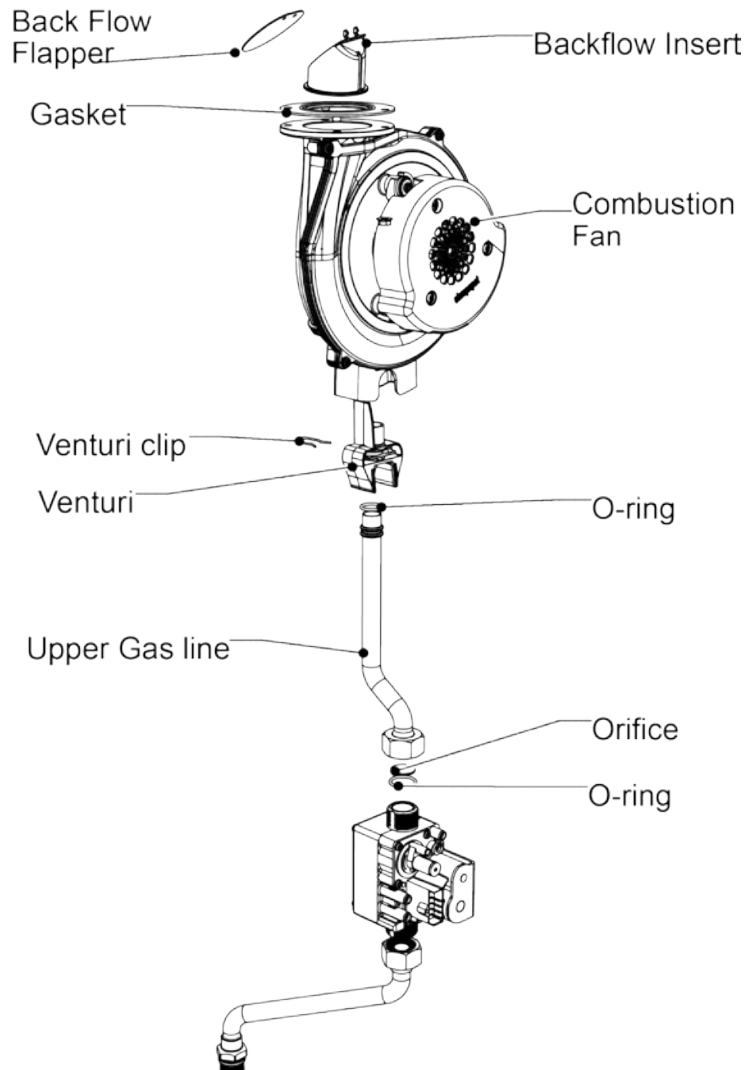


Figure 35: Blower and Gas Valve Assembly

3.4.1 Gaining access to combustion chamber, burner removal instructions

DISASSEMBLY

1. Turn off the main power switch to the unit.
2. Turn off the gas supply valve to the unit.
There is no need to drain the unit unless the unit will be exposed to freezing conditions while off.
3. Remove the front cover, and allow the unit to cool.
4. Unplug the electrical connector at the gas valve and fan.
5. Loosen the lower gas valve connection nut.
NOTE: There is an O-ring in the lower gas connection. Cover the gas piping connections to prevent debris from entering the gas piping.
6. Remove all 6mm Allen bolts and lock washers from the heat exchanger cover and carefully remove the front cover complete with the fan and the gas valve attached.
7. Place the heat exchanger cover in a safe location.

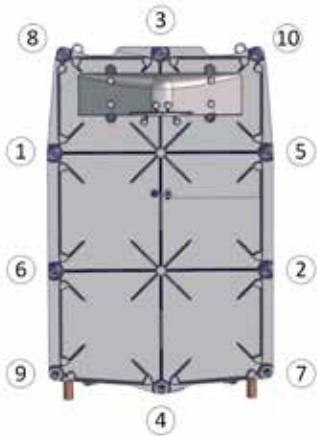


Figure 36: Tighten hex bolts in cross pattern direction.

REASSEMBLY

1. Replace the heat exchanger gasket. Inspect, and when needed change other gaskets. If necessary, inspect and clean the gasket mating surface.
2. Place the heat exchanger cover onto the heat exchanger and loosely install the 6mm Allen bolts and lock washers removed in step 6. Tighten the 6mm Allen bolts in a cross pattern as shown in the *Figure 36*.
3. Connect the gas line to the gas valve ensuring the O-ring is in place. Tighten the gas valve nut. Ensure the upper gas valve connection is tight. Re-connect the gas valve electrical connection.
4. Re-connect the electrical connection to the fan.
5. Inspect the condensate trap for debris. Remove and clean if necessary. Fill the condensate trap with water.
6. Turn on the gas supply valve to the unit and inspect for gas leaks. Use an approved leak detection solution. Soap test all joints.
7. Ensure the unit is full of water and purged of air if the unit was drained during disassembly.
8. Turn on the power to the unit and create a call for domestic hot water.
9. Inspect the gasket around the unit cover.
10. Check flue gases for proper combustion. See *Section 3.3 Commissioning* for proper adjustments.
11. Re-install the unit's cover and set the unit into normal operation.

⚠ WARNING

- Fill the trap with water before the unit is first fired to prevent exhaust fumes from entering the room. Never operate the unit unless the trap is filled with water.

Failure to comply will result in severe personal injury or death.

- Whenever the burner is removed for inspection or servicing, examine the sealing gaskets and replace if damaged.

⚠ CAUTION

- The owner is responsible for general care of the unit. Improper maintenance of the unit may result in a hazardous condition.

- When servicing controls, label all wires prior to disconnection. Wiring errors can cause improper and dangerous operation.

- When removing a burner, a new burner gasket is required.

4.0 MAINTENANCE

4.1 WATER HEATER MAINTENANCE

4.1.1 General Care

- Keep combustible materials and flammable liquids and vapors away from the unit.
- Keep vent terminals clear of obstructions (snow, dirt, etc.).

4.1.2 Inspection

- Inspection of the unit must be performed annually by a qualified service technician.

4.1.3 Venting

- Check vent terminals for any obstructions (e.g. leaves, dust, other debris).
- Check and clean or replace intake air filters or screens as required.
- Check for holes or leaks in venting. Replace venting as needed.
- Examine for any signs of moisture caused by sweating intake air pipes. Insulate as required.
- Ensure proper resealing or reinstallation of venting at each servicing.

4.1.4 Condensate Trap

- Examine the condensate trap every two months to see if cleaning is necessary (*refer to trap cleaning instructions, section 4.1.15 of this manual*). Ensure that the trap has been re-filled completely before firing the unit.
- Check the pH level of the condensate discharge if using condensate neutralization.

4.1.5 Burner

- At the first annual service, remove the burner to inspect the extent of fouling (*refer to burner removal and reassembly instructions, section 3.4.1 of this manual*). Blow clear using compressed air. Evaluate the magnitude of cleaning required, and establish a reasonable burner inspection schedule. Some installations may call for annual service, others showing clean burners will only need attention every 2 years. Consider adding air filtration if the burner requires cleaning every year. In alternate years, visually inspect burner through the sight glass. Ensure the flame is stable and without excessive fluttering. Normal flame pattern is evenly distributed over the burner surface.
- If the burner is operating improperly, remove and clean or replace. Use a combustion analyzer to determine proper combustion. *See Table 11 for correct values.*

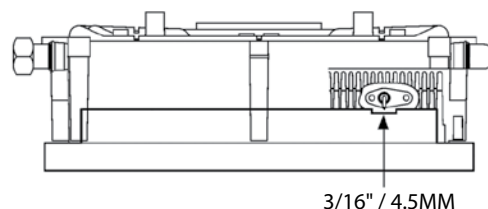


Figure 37: Checking igniter gap using 251-001 Ignitor Gapping Tool

⚠ CAUTION

The heat exchanger has a small amount of combustion chamber insulation (refractory) that contains ceramic fibers.

When exposed to extremely high temperatures, the ceramic fibers, which contain crystalline silica, can be converted into cristobalite, classified as a possible human carcinogen.

Avoid disturbing or damaging the refractory. If damage occurs, contact the factory for directions.

Avoid breathing in fumes and contact with skin and eyes. Follow these precautions:

1. For conditions of frequent use or heavy exposure, you need a respirator. For respirators certified by NIOSH, refer to the “NIOSH Guide to the Selection and Use of Particulate Respirators Certified under 42 CFR 84”.

For current information, contact NIOSH on 1-800-356-4676 or on the web at www.cdc.gov/niosh.

2. Wear long sleeved, loose fitting clothing, gloves and eyes protection.
3. Assure adequate ventilation.
4. Wash with soap and water after contact.
5. Wash potentially contaminated clothes separately from other laundry, and rinse clothes thoroughly.
6. Discard used insulation in an air tight plastic bag.

NIOSH first aid guidelines:

- Eye contact - Irrigate and wash immediately.
- Breathing in fumes - Provide fresh air.

4.1.6 Heat Exchanger

During annual inspection (with the heat exchanger cover removed), examine the heat exchanger for signs of contamination and clean if necessary. In areas of poor gas quality or contaminated combustion air, there may be a build-up of black plaque (typically sulfur). Other fouling agents are airborne dust, debris and volatiles. Clean the heat exchanger surface with a stiff plastic bristle brush only.

During maintenance, the heat exchanger gasket must be replaced. Inspect other gaskets, and change when needed. *Refer to the heat exchanger cover removal instructions in Section 3.4.1* for access to the combustion chamber and heat exchanger. **Observe the safety warning regarding the burner refractory on this page.**

4.1.7 Gas Piping

Check for damage or leaks, and repair as needed.

4.1.8 Control Module

- Check that unit operation is consistent with the steps in *Section 2.5 Sequence of Operation*.
- Check that water temperature target is satisfactory, and that it has not been adversely adjusted.

4.1.9 Freeze Protection

The controller ignites the burner as needed to protect the unit from freezing.

4.1.10 Relief Valve - Maintenance and Testing

Relief valve manufacturers require that under normal operating conditions a “try lever test” must be performed quarterly. Under severe service conditions, or if corrosion and/or deposits are noticed within the valve body, you must test more often. Also perform a “try lever test” at the end of any non-service period.

Test at or near maximum operating pressure by holding the test lever fully open for at least 5 seconds to flush the valve seat free of sediment and debris. Then release the lever and permit the valve to snap shut.

If the lever does not activate, or there is no evidence of discharge, discontinue use of equipment immediately, and contact a licensed contractor or qualified service personnel.

If the relief valve does not completely seal, and fluid continues to leak from the discharge pipe, perform the test again to try and flush any debris that may be lodged in the valve. If repeated attempts fail to stop the leakage, contact a licensed contractor or qualified service personnel to replace the valve.

4.1.11 Domestic Hot Water System

Verify that domestic hot water generation is performing as expected and that water quality is within the guidelines shown in Table 12. Clean the internal DHW coil using nontoxic tankless water heater cleaning solution as required to maintain peak DHW operation and efficiency. Fouling of the DHW coil will

CAUTION

Before testing the relief valve, make certain the discharge pipe is properly connected to the valve outlet, and arranged to contain and safely dispose of equipment discharge.

accelerate and require more frequent cleaning with increased water hardness. Installation of a water softener at sites with hard water is recommended to reduce fouling and cleaning frequency. Failures caused by lime, mineral buildup, or scale due to a lack of maintenance will not be covered under warranty.

DESCRIPTION	MAX	MIN
Water Pressure	150 PSI	40 PSI
Programmable Water Temperature	149°F (65°C)	105°F (40°C)
Minimum DHW Flow Rate to Initiate Operation	N/A	0.5 GPM
pH	8.5	6.5
Total Dissolved Solids (TDS)	500 mg/L	
Total Hardness	250 mg/L 14.6 grains/gal	
Aluminum	0.2 mg/L	0.05 mg/L
Chlorides	250 mg/L	
Copper	1 mg/L	
Iron	0.3 mg/L	
Manganese	0.05 mg/L	
Zinc	5 mg/L	

Table 12: Domestic Water Quality Guidelines

4.1.12 DHW Coil cleaning instructions

Clean the DHW coil as follows:

1. These instructions assume that a set of service valves have previously been installed.
2. These instructions assume the use of a tankless water heater flush kit.
3. Turn off the unit by touching the area above the dot for 2 seconds.
4. Open a hot water faucet until the heat exchanger is sufficiently cool.
5. Close the gas valve and DHW hot and cold water isolation valves.
6. Attach two hoses to the DHW hot and cold water service valve hose connections.
7. Attach the cold water hose to the flush kit pump and place in a 5 gallon bucket.
8. Place the loose end of the hot water hose in the bottom of the 5 gallon bucket and open the DHW hot and cold water service valves.
9. Pour 2 gallons of nontoxic tankless water heater cleaning solution in the bucket.
10. Plug in the pump and allow the cleaning solution to circulate in accordance with the manufacturer's instructions.
11. After cleaning the DHW coil, disconnect the wire harness from the flue gas temperature sensor on models equipped with an internal domestic hot water bypass valve. The lockout will cause the internal domestic hot water bypass valve to send cleaning solution through the bypass line.
12. Allow the cleaning solution to circulate in accordance with the manufacturer's instructions.
13. After cleaning the bypass line, unplug the pump and close the DHW cold water service valve.
14. Remove the hot water hose from the 5 gallon bucket and route to a suitable drain.

15. Open the DHW cold water isolation valve and flush out the bypass line for about 5 minutes.
16. Reconnect the wire harness to the flue gas temperature sensor and reset the lockout by pressing the wrench for 2 seconds.
17. Flush out the DHW coil for about 5 minutes then close the DHW hot water service valve and open the DHW hot water isolation valve.
18. Disconnect the two hoses from the DHW hot and cold water service valve hose connections.
19. Open the gas valve and turn on the unit by touching the area above the dot for 2 seconds to resume normal operation.

4.1.13 DHW Filter cleaning instructions

Clean the DHW water filter during annual maintenance as follows:

1. Turn off the unit and disconnect power.
2. Turn off the DHW hot and cold isolation valves.
3. Place a bucket under the drain and drain the DHW water from the unit.
4. Unscrew the water filter from the unit's cold water inlet.
5. Clean the water filter under running water. Use a soft brush if necessary.
6. Reinstall the water filter in the unit's cold water inlet.
7. Open the DHW hot and cold isolation valves.
8. Reconnect the power and return the unit to operation.

DANGER

When servicing or replacing the fan, you must transfer the venturi from the old fan to the new fan.

Failure to relocate the venturi to the new fan may cause an immediately hazardous situation which must be avoided in order to prevent serious injury or death.

4.1.14 Fan removal instructions

1. Turn off the power and the gas supply to the unit.
2. Remove the front cover, and allow the unit to cool down.
3. Disconnect the electrical plug attached to the fan.
4. Loosen the union nut at the top of the gas valve. Carefully remove the orifice and O-ring, and keep in a safe place for re-installation later. Ensure you protect the gas valve outlet from dust and debris.
5. Remove the 2 hex nuts connecting the fan to the burner housing, and carefully remove the fan. You will find a gasket attached to the fan outlet as well as an internal check valve. Keep these items in a safe place for re-installation.
6. If the removed fan is to be re-installed, ensure the fan and venturi are clean and dust free. If the fan is being replaced, move the venturi over to the new fan. Note that the fit is tight.

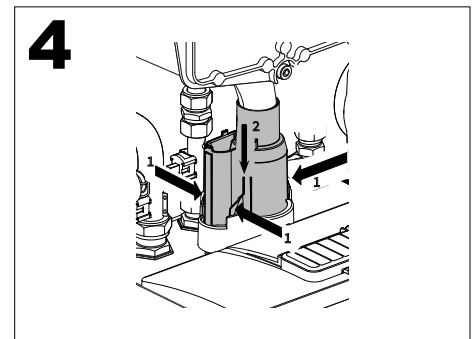
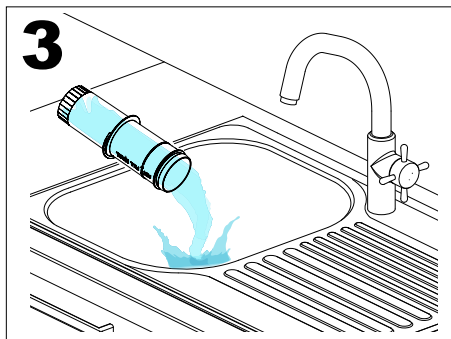
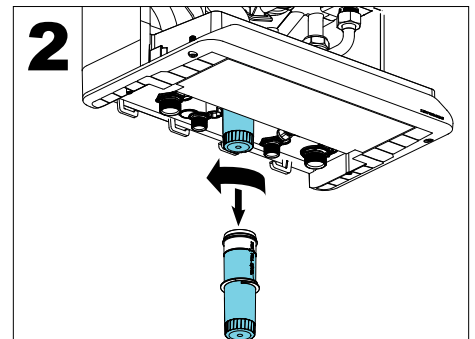
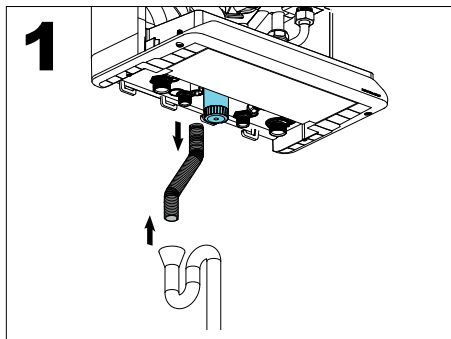
4.1.15 Fan installation instructions

1. Place the fan gasket on the outlet of the fan housing. The gasket has 2 locator pins to ensure the gasket does not move during installation.
2. Reinstall the check valve in the burner housing and attach the fan to the burner housing with the 2 hex nuts. Tighten the 2 hex nuts with a wrench.
3. Insert the orifice and O-ring between the gas valve outlet and the gas line to the fan. Tighten the gas valve union nut with a wrench. Ensure that the gas valve inlet (lower) nut is tight.
4. Connect the electrical plug to the fan.
5. Restore the gas supply to the unit, and test the gas valve inlet for gas leaks.

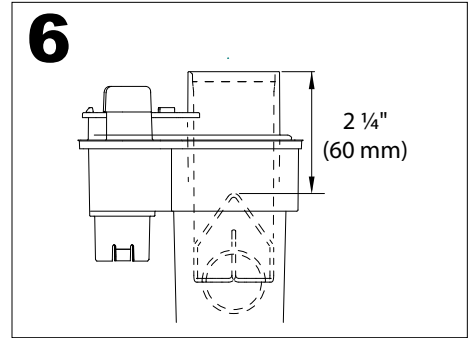
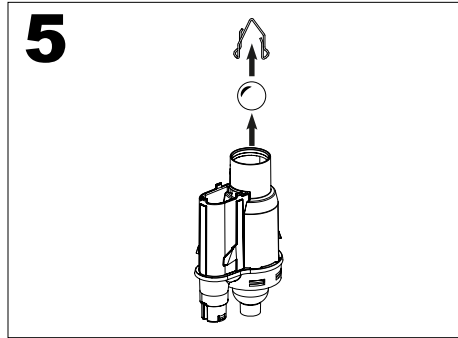
6. Restore the power to the unit, and create a call for hot water.
7. Check for leaks at the gas valve outlet and the connection between the fan and the burner housing.
8. Install the cover to the unit.
9. Return the unit to normal operation.

4.1.16 Cleaning the Condensate Trap

1. Turn off the power and the gas supply to the unit.
2. Remove the front cover, and allow the unit to cool down.
3. Remove the flexible hose (1) from the condensate trap and drain.
4. Detach the condensate trap cup (2) by rotating it to the left (counter-clockwise) and then pulling it downwards.
5. Empty the condensate trap cup (3).
6. Detach the condensate trap base (4) by pressing the three securing clips in, while simultaneously pushing the condensate trap base downwards (4).
7. Remove the circlip and the plastic ball from the condensate trap base (5)



8. Clean the following components with water:
 - the inside of condensate trap base
 - plastic ball
 - circlip
 - condensate trap cup
 - opening of the flue pipe

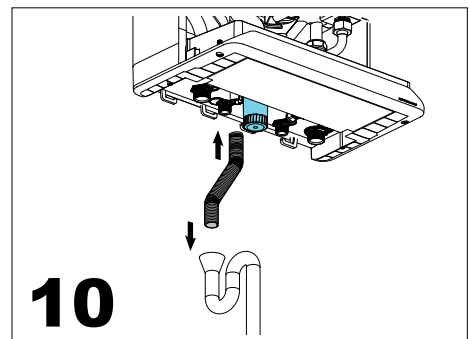
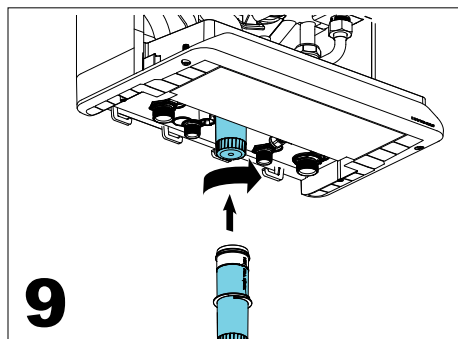
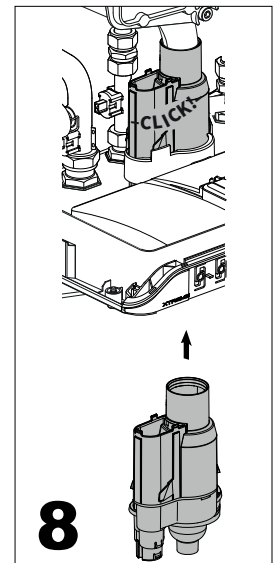
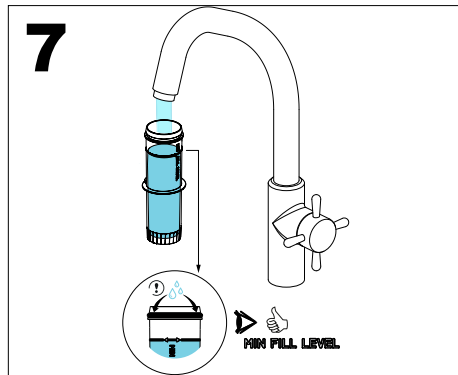


⚠ DANGER

Make sure that the condensate trap base is returned to its original position, firmly locked into the bottom with no gaps.

Incorrectly attaching the condensate trap base (or not attaching it at all) will result in products of combustion leaking into the room creating a dangerous situation.

9. Return the plastic ball to the condensate trap base and attach the circlip.
10. Check that the ball and circlip have been installed correctly (6). Make sure that the top of the circlip is about 2 1/4" (60 mm) below the edge of the condensate trap base.
11. Replace the O-ring (part #150-367) at the bottom of the flue pipe.
12. Attach the condensate trap base to the bottom by pushing it high enough so that the securing clips click over the lip (8).
13. Make sure the condensate trap cup is 3/4 filled with water (7) before installation, slide it into the condensate trap base and rotate it to the right (clockwise) until it is correctly secured (9).



14. Slide the flexible hose onto the condensate trap base and into the drain (10)

⚠ CAUTION

The maintenance counter must only be reset after performing the maintenance procedures in Section 4.0 Maintenance of this manual. Failure to perform maintenance can result in a hazardous condition.

⚠ NOTE

Damage to the Tankless Water Heater caused by freezing water is not covered by the warranty.

4.1.17 Reset the Maintenance Counter

The maintenance counter should be reset after all maintenance items in this section have been completed. Refer to Resetting the Maintenance Counter, section 2.7 of this manual.

4.1.18 Winterization

The Tankless Water Heater must be winterized along with the rest of the domestic water system when the system will be shut down for an extended period of time and be subject to freezing conditions.

1. Turn off the power and the gas supply to the unit.
2. Drain the units domestic hot water coil along with the rest of the domestic water system.
3. Remove the condensate trap cup and empty.
4. If present, empty condensate pump.

This page is intentionally left blank.

NOTE

This appliance is equipped with a blocked vent shut-off system that closes the gas supply when it detects an irregular venting condition.

5.0 TROUBLESHOOTING

The troubleshooting section is divided into four sections:

- 5.1 Preliminary Checks**
- 5.2 Electronic Components**
- 5.3 Faults and Notifications**
- 5.4 Other Faults**

Often, you can identify and solve a problem through simple checks of the basics: confirming the electrical power supply and gas flow. To help with preliminary checks, the unit's control module offers a visual display of the status of the various control circuit components.

Should a problem remain unsolved after applying the preliminary checks, proceed to the detailed system review in this guide. The Troubleshooting chapter covers potential error conditions, grouped into the following categories:

- 5.3.1 Fault Codes**
- 5.3.2 Notification Codes**
 - 5.4.1 No domestic hot water (DHW)**
 - 5.4.2 Domestic hot water does not reach the correct temperature**
 - 5.4.3 Burner ignites loudly**
 - 5.4.4 Burner resonates**

Below each section is a list of symptoms, diagnoses, and solutions.

Some diagrams (see *Section 6.0*) are included for use with troubleshooting including:

- Electrical wiring diagrams
- Water heater component layout diagrams

5.1 PRELIMINARY CHECKS

As a first step in troubleshooting, you should review the controller's display screen. Diagnostic features evaluate system integrity, display error conditions, and indicate initial troubleshooting action.

In addition to checking the controller's display, try these troubleshooting steps:

- 1.** Confirm power to the unit: check that control module display is on (e.g., display is lit).
- 2.** Check that unit is not in a safety lockout.
- 3.** Ensure that wiring is secure and properly terminated.
- 4.** Check that gas is reaching the unit.
- 5.** Confirm that the domestic water system pressure is a minimum 40 psig.

5.2 ELECTRONIC COMPONENTS

This section details the method for troubleshooting the non-standard electronic components on the unit.

5.2.1 Temperature Sensors

The resistance of the temperature sensors varies inversely with temperature. To test, measure the temperature of the sensed environment and compare with the value derived from the measurement of the resistance (obtained by connecting a good quality test meter capable of measuring up to 5,000 K Ω (5,000,000 Ω) at the controller end of the sensor lead).

To obtain a resistance reading, remove power to the unit. For the water sensors, remove the wire leads by disconnecting their respective Molex connectors. Place multi-meter probes into the sensor's male Molex connector socket. Do not apply voltage to the sensor as damage may result.

12K Ω temperature sensors are supplied with the unit. See Table 14 for resistance values.

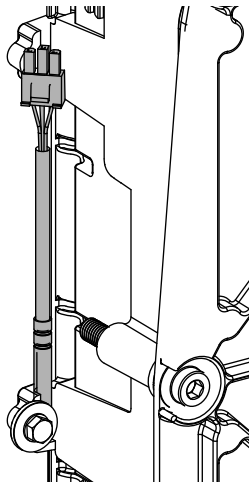


Figure 38: Heat exchanger Temperature Sensor S0

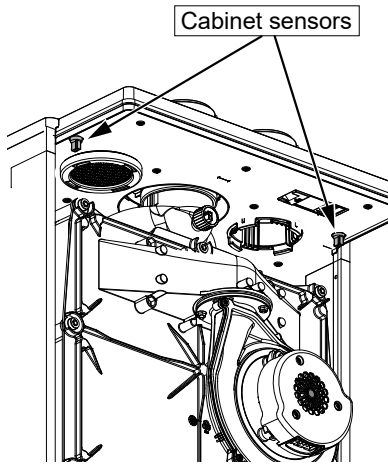


Figure 39: PTC Cabinet Temperature Sensors

SENSOR	TYPE	PURPOSE	LOCATION
S0	NTC 12K Ω	Heat Exchanger Temperature	Left side of Heat Exchanger
S3	NTC 12K Ω	Domestic Hot Water	DHW Supply Pipe
S4	NTC 12K Ω	Domestic Cold Water	DCW Supply Pipe
S5	NTC 12K Ω	Flue Gas Temperature	Top of rear Flue passage
PTC1 PTC2	PTC	Cabinet Temperature	Left and right Side top of inner cabinet

Table 13: Temperature Sensors

5.2.2 Cabinet Sensors

The Cabinet temperature sensors ensure that the unit shuts down if the temperature inside the cabinet is above normal.

The Cabinet temperature sensors are located on the left and right side at the top of the cabinet. To remove the sensors, unclip the wiring harness and unscrew from the top cabinet.

TEMPERATURE	RESISTANCE	TEMPERATURE	RESISTANCE	TEMPERATURE	RESISTANCE
F / C	Ω - ohm	F / C	Ω - ohm	F / C	Ω - ohm
5F / -15C	76,020	77F / 25C	12,000	149F / 65C	2,752
14F / -10C	58,880	86F / 30C	9,805	158F / 70C	2,337
23F / -5C	45,950	95F / 35C	8,055	167F / 75C	1,994
32F / 0C	36,130	104F / 40C	6,653	176F / 80C	1,707
41F / 5C	28,600	113F / 45C	5,522	185F / 85C	1,467
50F / 10C	22,800	122F / 50C	4,609	194F / 90C	1,266
59F / 15C	18,300	131F / 55C	3,863	203F / 95C	1,096
68F / 20C	14,770	140F / 60C	3,253	212F / 100C	952

Table 14: Temperature Sensor Resistance Values – 12K Ω sensors.

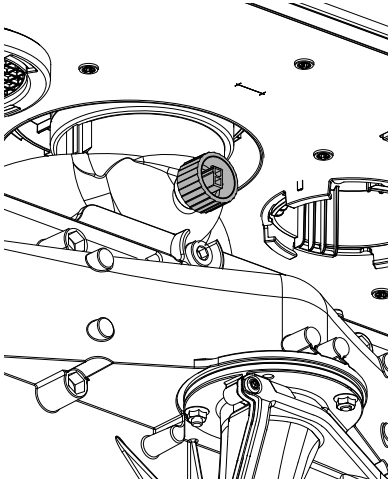


Figure 40: Flue gas Temperature Sensor S5

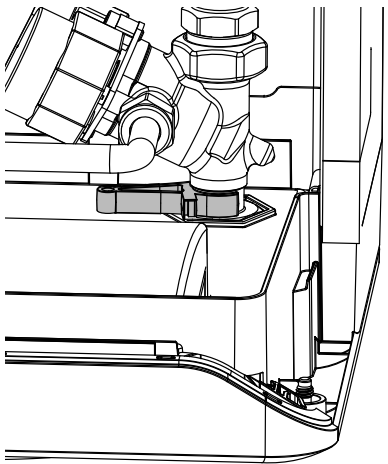


Figure 41: Domestic Water Flow Sensor

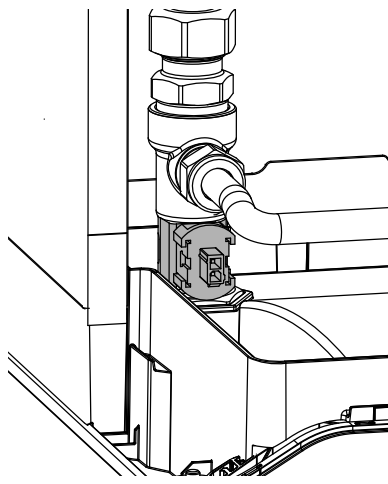


Figure 42: Domestic Hot Water Temperature Sensor S3

5.2.3 Flue Gas Temperature Sensor

This sensor ensures that the unit shuts down safely if the flue temperature is above normal. High flue temperatures can be an indication that the heat exchanger requires cleaning.

The flue gas temperature sensor is located at the top of the rear flue passage, below the top panel. To remove the sensor, unclip from the wiring harness and unscrew from the rear flue passage.

5.2.4 Domestic Hot Water Flow Sensor

The unit is equipped with a flow sensor to measure water flow through the domestic hot water circuit in the water heater. The flow sensor consists of two parts, the mechanical turbine in the cold water inlet and the external inductive sensor surface mounted on the outside of the cold water inlet. The minimum flow required to activate the water heater is 0.5 GPM or 2 L/min.

To service or replace the mechanical turbine:

1. Disconnect power to the unit.
2. Turn off the cold and hot water valves below the unit, release the water pressure and then drain the domestic hot water circuit. Leave the drain valves open.

5.2.5 Domestic Hot Water Sensor

The unit is equipped with a domestic hot water temperature sensor. The sensor is surface mounted on the hot water outlet pipe.

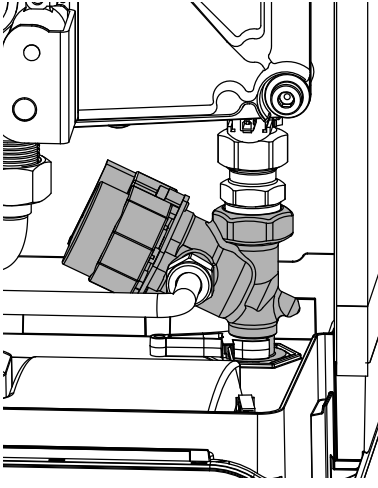


Figure 43: Bypass Valve

5.2.6 Domestic Hot Water Bypass Valve

This unit is equipped with a domestic hot water bypass valve which allows cold water to bypass the heat exchanger to temper the domestic hot water temperature.

1. To service or replace the bypass valve:
2. Turn off the unit and disconnect power.
3. Close the DHW hot and cold isolation valves.
4. Place a bucket under the drain and drain the DHW water from the unit.
5. Disconnect and remove the bypass tube.
6. Remove the retaining clip under the unit at the DHW filter.
7. Disconnect the bypass valve from the heat exchanger using two wrenches.

5.2.7 Domestic Cold Water Sensor

The Combi boiler is equipped with a domestic Cold water temperature sensor. The sensor is surface-mounted on the Cold water inlet pipe.

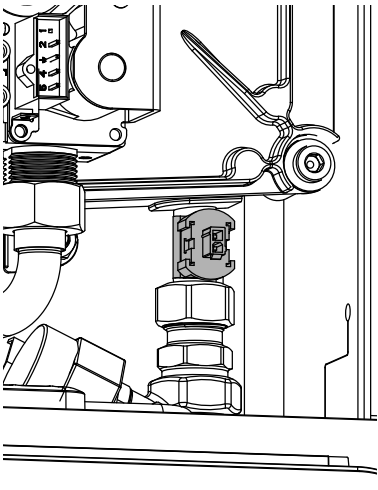


Figure 44: Domestic Cold Water Temperature Sensor S4

5.2.8 Fan/Blower

Control and power to the fan is provided via a single wiring harness to the controller.

5.3 FAULTS AND NOTIFICATIONS

5.3.1 Fault Codes

During operation the controller can detect unusual situations and can take action to avoid damage to the heat exchanger or other unsafe operations. During these situations, the controller limits the temperature and power output of the burner, or temporarily disables operation entirely.

These warnings are shown flashing and visible on the main display, and displayed only when an unusual reading is currently detected. Fault Codes can be reset by touching the wrench for 2 seconds after the cause of the fault has been resolved.

FAULT CODE	DESCRIPTION	POSSIBLE CAUSE / SOLUTION
F000	Heat exchanger temperature sensor fault.	<ul style="list-style-type: none"> • Verify wire harness connections at heat exchanger temperature sensor and control module are tight. • Replace heat exchanger temperature sensor.
F002	High heat exchanger temperature during DHW demand.	<ul style="list-style-type: none"> • Verify the unit has been converted to propane if operating on propane • Verify combustion readings at low and high fire are within specifications. • Clean heat exchanger DHW coil. • Clean fire side of heat exchanger.
F003	High flue temperature.	<ul style="list-style-type: none"> • Verify the unit has been converted to propane if operating on propane. • Verify combustion readings at low and high fire are within specifications. • Clean fire side of heat exchanger. • Clean heat exchanger central heating and DHW coils.
F004	No flame detected during four ignition trials.	<ul style="list-style-type: none"> • Verify external gas shutoff valve is open. • Verify gas inlet pressure is at least 4" during ignition trial. • Verify condensate drain is not blocked. • Check vent and combustion air piping for blockage. • Verify internal and power supply grounding. • Verify ground spring is in contact with burner head screw. • Verify ignitor to ignition module connection is tight. • Check ignitor condition and clean/replace as necessary. • Verify operation of the backflow flapper in the fan outlet. • Verify ignitor is not in contact with burner and gap is correct. • Replace ignition module if unit lights but flame icon doesn't illuminate. • Replace ignition module if spark is not present and 110VAC is present on ignition module black and gray wires. • Replace control module if spark is not present and 110VAC is not present on ignition module black and gray wires. • Replace gas valve if gas inlet pressure does not drop during trial for ignition and 24VDC is present at gas valve harness. • Replace control module if gas inlet pressure does not drop during trial for ignition and 24 VDC is not present at gas valve harness.

F005	No flame detected during operation.	<ul style="list-style-type: none"> • Verify condensate drain is not blocked. • Check vent and combustion air piping for blockage. • Check for flue gas recirculation. • If vent termination is subject to high winds, reconfigure/relocate as necessary. • Verify gas inlet pressure is at least 4" at both low and high fire. • Verify low and high fire combustion readings are within specifications. • Check ignitor condition and clean/replace as necessary.
F006	Flame detected when burner is off.	<ul style="list-style-type: none"> • Verify good internal and power supply grounding. • Verify flame goes out at conclusion of demand, if not replace gas valve. • Replace ignition module. • Replace control module.
F007	Low flame signal.	<ul style="list-style-type: none"> • Verify ignitor to ignition module connection is tight. • Check ignitor condition and clean/replace as necessary. • Verify low and high fire combustion readings are within specifications.
F008	Incorrect fan speed	<ul style="list-style-type: none"> • Verify wire harness connections at fan and control module are tight. • Replace fan. • Replace control module.
F009	Control module internal fault.	<ul style="list-style-type: none"> • Remove all field wiring from unit then reset fault. • Check field wiring for voltage backfeed if F009 fault does not return. • Replace control module if F009 fault code returns.
F010	Heat exchanger temperature sensor open.	<ul style="list-style-type: none"> • Verify wire harness connections at heat exchanger temperature sensor and control module are tight. • Check resistance of each heat exchanger temperature sensor (center pin is common), replace sensor if open circuit is found. • Check resistance of each heat exchanger temperature sensor (center pin is common) at control module harness connector, repair wire harness if open circuit is found.
F011	Heat exchanger temperature sensor short.	<ul style="list-style-type: none"> • Check resistance of each heat exchanger temperature sensor (center pin is common), replace sensor if short circuit is found. • Check resistance of each heat exchanger temperature sensor (center pin is common) at control module harness connector, repair wire harness if short circuit is found.
F012	Flue temperature sensor open.	<ul style="list-style-type: none"> • Verify wire harness connections at flue temperature sensor and control module are tight. • Check resistance of flue temperature sensor, replace sensor if open circuit is found. • Check resistance of flue temperature sensor at control module harness connector, repair wire harness if open circuit is found.

F013	DHW inlet temperature sensor open/short	<ul style="list-style-type: none"> • Verify wire harness connections at DHW inlet temperature sensor and control module are tight. • Check resistance of DHW inlet temperature sensor, replace sensor if open/short circuit is found • Check resistance of DHW inlet temperature sensor at control module harness connector, repair wire harness if open/short circuit is found
F014	Heat exchanger temperature sensor mounting fault.	<ul style="list-style-type: none"> • Heat exchanger temperature is not changing while unit is fired. • Verify heat exchanger temperature sensor is properly mounted on the heat exchanger.
F015	High cabinet temperature	<ul style="list-style-type: none"> • Check heat exchanger for flue gas leakage • Check vent pipe for flue gas leakage
F016	DHW outlet temperature sensor mounting fault	<ul style="list-style-type: none"> • DHW outlet temperature is not changing while unit is fired • Verify DHW outlet temperature sensor is properly mounted on the DHW outlet pipe
F017	DHW bypass valve fault	<ul style="list-style-type: none"> • Verify wire harness connections at DHW bypass valve and control module are tight • Check resistance of DHW bypass valve at control module harness connector: Green - Purple = 30 to 40 Ω Green - Blue = 30 to 40 Ω Green - Yellow = 30 to 40 Ω Green - Orange = 30 to 40 Ω Red - Black = 5.5 to 6.5 MΩ Red - Brown = 17 to 21 MΩ • If any resistance value is outside of these ranges, check and repair any wire harness open/short circuit before replacing DHW bypass valve
F018	Flue/Combustion Air blockage.	<ul style="list-style-type: none"> • Check the vent and combustion air pipes for blockage. • Verify operation of the backflow flapper in the fan outlet.
F019	Boiler Memory Module (BMM) fault.	<ul style="list-style-type: none"> • Verify wire harness connections at boiler memory module and control module are tight. • Verify wire harness continuity between boiler memory module and control module . • Replace boiler memory module.
F021	Critical parameter changed	<ul style="list-style-type: none"> • Factory reset required
F028	Reset button fault	<ul style="list-style-type: none"> • Check the reset button for unintentional operation (e.g. cleaning of the control panel). • Replace the control module.
F029	Gas valve fault.	<ul style="list-style-type: none"> • Verify wire harness connections at gas valve and control module are tight • Replace gas valve if upper coil resistance is not 35 to 45 Ω. • Replace gas valve if lower coil resistance is not 20 to 30 Ω. • Check resistance of gas valve at control module harness connector, repair wire harness if open/short circuit is found or if resistance is not within 60 to 70 Ω • Replace control module.

F040	Cabinet temperature sensor open.	<ul style="list-style-type: none"> • Verify wire harness connections at cabinet temperature sensors and control module are tight. • Check resistance of cabinet temperature sensors, replace sensor if open circuit is found. • Check resistance of cabinet temperature sensors at control module harness connector, repair wire harness if open circuit is found.
F041	Cabinet temperature sensor short	<ul style="list-style-type: none"> • Check resistance of cabinet temperature sensors, replace sensor if short circuit is found. • Check resistance of cabinet temperature sensors at control module harness connector, repair wire harness if short circuit is found.
F042	Cascade DHW not available	<ul style="list-style-type: none"> • Resolve any other lockouts in the cascade system • Verify Leader cascade parameter settings are correct • Verify Follower(s) cascade parameter settings are correct • Check cascade communication status in the information menu of both Leader and Follower
-- (Blinking)	Water pressure sensor fault	<ul style="list-style-type: none"> • Verify wire harness connections at water pressure sensor and control module are tight • Check resistance of water pressure sensor at control module harness connector: Black - Orange = 7.5 to 9.5 KΩ Black - Yellow = 7.5 to 9.5 KΩ • If any resistance value is outside of these ranges, check and repair wire harness open/short circuit before replacing water pressure sensor

5.3.2 Notification Codes

During operation the controller can also detect unusual situations and display a notification, usually without significant interruption of the normal operation of the appliance.

These notifications are shown on the main display, and display only when an unusual reading is currently detected. Once the error has been resolved, the operation will be restored

Note that these notifications only appear on controllers installed with software versions after 1.80. The software version of the controller will appear upon the controller's initial start up.

NOTIFICATION CODE	DESCRIPTION	POSSIBLE CAUSE / SOLUTION
n030	DHW outlet temperature sensor open/short	<ul style="list-style-type: none"> • Verify wire harness connections at DHW outlet temperature sensor and control module are tight. • Check resistance of DHW outlet temperature sensor, replace sensor if open/short circuit is found. • Check resistance of DHW outlet temperature sensor at control module harness connector, repair wire harness if open/short circuit is found.
n040	Cascade communication lost	<ul style="list-style-type: none"> • Verify Leader is powered on and cascade parameter settings are correct. • Verify Follower(s) cascade parameter settings are correct. • Check cascade communication status in the information menu of both Leader and Follower.
n041	Cascade system sensor open	<ul style="list-style-type: none"> • Verify system sensor field wiring is terminated at the chosen input (X13-3&4 or X13-4&5). • Check resistance of system temperature sensor, replace sensor if open circuit is found. • Check resistance of system temperature sensor at control module harness connector, repair system sensor field wiring if open circuit is found.
n120	Maintenance recommended	<ul style="list-style-type: none"> • Maintenance is recommended based on hours of use.
n121	Maintenance required, limited DHW output	<ul style="list-style-type: none"> • Maintenance is required based on hours of use. • DHW output will be limited until maintenance is performed.
n122	Maintenance required, no DHW output	<ul style="list-style-type: none"> • Maintenance is required based on hours of use. • DHW output is disabled until maintenance is performed.
n150	High heat exchanger temperature, limited output	<ul style="list-style-type: none"> • Verify all air has been bled/purged from the heat exchanger central heating coil. • Replace internal pump if it is not operating during a central heating demand. • Verify the unit has been converted to propane if operating on propane. • Verify combustion readings at low and high fire are within specifications. • Clean fire side of heat exchanger. • Clean heat exchanger central heating and DHW coils.
n151	High flue temperature, limited output	<ul style="list-style-type: none"> • Verify the unit has been converted to propane if operating on propane. • Verify combustion readings at low and high fire are within specifications. • Clean fire side of heat exchanger. • Clean heat exchanger central heating and DHW coils.

n152	Flue temperature sensor mounting fault	<ul style="list-style-type: none"> • Flue temperature is not changing while unit is fired. • Verify flue temperature sensor is properly mounted on the vent pipe.
n201	Heat exchanger air purge function activated	<ul style="list-style-type: none"> • Air trapped in the heat exchanger • Closed boiler isolation valve • Defective boiler pump
n202	High flue temperature, burner disabled	<ul style="list-style-type: none"> • Verify the unit has been converted to propane if operating on propane. • Verify combustion readings at low and high fire are within specifications. • Clean fire side of heat exchanger • Clean heat exchanger central heating and DHW coils.
n245	Flue gas back flow, fan on low speed	<ul style="list-style-type: none"> • Verify vent and combustion air piping and terminations are installed according to this manual. • Verify operation of the backflow flapper in the fan outlet.

5.4 OTHER FAULTS

5.4.1 No domestic hot water (DHW)

POSSIBLE CAUSES	ANALYSIS	POSSIBLE SOLUTION
The power LED is not shown.	→ Yes ↓No	<ul style="list-style-type: none"> • Check the power supply. • Check the fuse (see electrical schematic).
Flow sensor does not work.	→ Yes ↓No	Replace the flow sensor.
Domestic hot water flow < 0.5 gpm	→ Yes ↓No	Increase the domestic hot water flow.
Domestic hot water sensor S3 is defective.	→ Yes ↓No	Replace the domestic hot water sensor S3.
No electricity on the flow sensor (5V DC).	→ Yes	Check the wiring according to the schematic.

5.4.2 Domestic hot water does not reach the correct temperature

POSSIBLE CAUSES	ANALYSIS	POSSIBLE SOLUTION
Domestic hot water flow is too high.	→ Yes ↓No	Reduce the domestic hot water flow.
Setting for domestic hot water temperature is too low.	→ Yes ↓No	Increase the domestic hot water temperature.
Insufficient heat transfer due to calcium or contamination in the domestic hot water-sided central heating unit.	→ Yes ↓No	De-calcify or flush the domestic hot water-sided central heating unit.
The flue is blocked.	→ Yes	Check the flue.

5.4.3 Burner ignites loudly

POSSIBLE CAUSES	ANALYSIS	SOLUTION
Inlet pressure is too high.	→ Yes ↓No	The gas pressure regulator may be defective. In that case, contact the energy company.
Ignition distance is incorrect.	→ Yes ↓No	Replace the ignitor including the ignition cable.
Gas-air control is not correctly adjusted.	→ Yes	Check and/or adjust combustion with a calibrated combustion analyzer.

5.4.4 Burner resonates

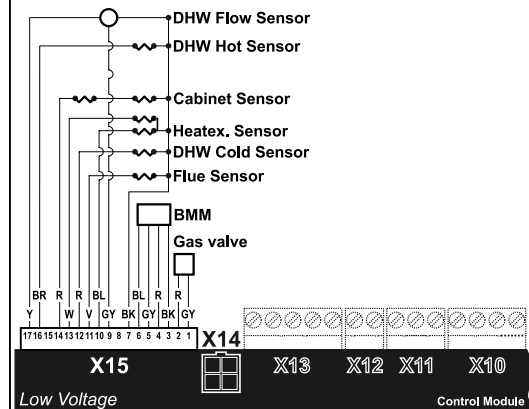
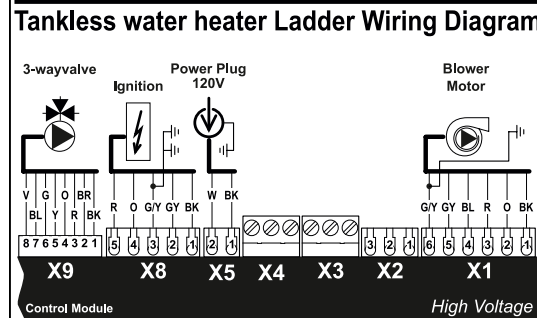
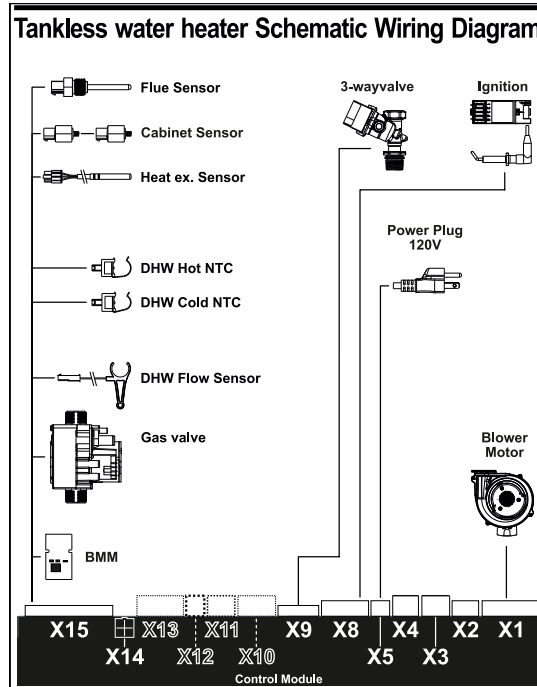
POSSIBLE CAUSES	ANALYSIS	SOLUTION
Gas inlet pressure lower than 4" w.c. or sometimes disappears.	→ Yes ↓No	The gas pressure regulator may be defective. Contact the energy company.
There is recirculation of flue gases.	→ Yes ↓No	Check the flue and air supply duct.
Gas-air control is not correctly adjusted.	→ Yes ↓No	Check and/or adjust combustion with a calibrated combustion analyzer.
Burner seal is defective.	→ Yes ↓No	Replace the burner seal.
Burner is defective.	→ Yes	Replace the burner.

This page is intentionally left blank.

6.0 REPLACEMENTS KITS

Replacement Kit Numbers	Replacement Kit Description
P-081014	<i>Conversion To Propane - Venturi 375</i>
P-081024	<i>Conversion To Natural Gas - Venturi 375</i>
P-081414	<i>Conversion To Low Calorific Gas - Venturi 375</i>
P-081134	<i>Replacement kit: Flue Temperature Sensor</i>
P-081144	<i>Replacement kit: Ignitor</i>
P-081174	<i>Replacement kit: EBM Fan</i>
P-081234	<i>Replacement kit: Gas Valve</i>
P-081294	<i>Replacement kit: Temperature Sensor Heat Exchanger</i>
P-081304	<i>Replacement kit: Condensate Trap Tankless Water Heater 199</i>
P-081334	<i>Replacement kit: Controller Box White</i>
P-081384	<i>Replacement kit: Burner 160 - 199</i>
P-081444	<i>Replacement kit: Flow Sensor (Clip only)</i>
P-081454	<i>Replacement kit: Maintenance Set Heat Exchanger</i>
P-081494	<i>Replacement kit: Bypass Wiring</i>
P-081504	<i>Replacement kit: Ignition Wiring</i>
P-081534	<i>Replacement kit: Sensor Wiring Tankless</i>
P-081574	<i>Replacement kit: Ignition Line Complete</i>
P-081694	<i>Replacement kit: Temperature Sensor Supply (Clip 22mm)</i>
P-082424	<i>Replacement kit: Bypass valve</i>
P-081784	<i>Replacement kit: Temperature Sensor DHW (Clip 15mm)</i>
P-081794	<i>Replacement kit: Controller Box Black</i>
P-081814	<i>Replacement kit: Strainer</i>

7.0 WIRING DIAGRAMS



Notes:

- Original wiring as supplied with the appliance must be replaced with type T wire or its equivalent.
- The wiring for the 120V field connections to the appliance shall have a minimum size of 14 AWG and a temperature rating of at least 194 °F (90°C).

Wire Color Code Key:

- BK - Black
- BL - Blue
- W - White
- G - Green
- BR - Brown
- BL - Blue
- R - Red
- O - Orange
- V - Violet
- Y - Yellow
- GY - Gray



899994.03

Diagram 6.2-1: Schematic wiring diagram

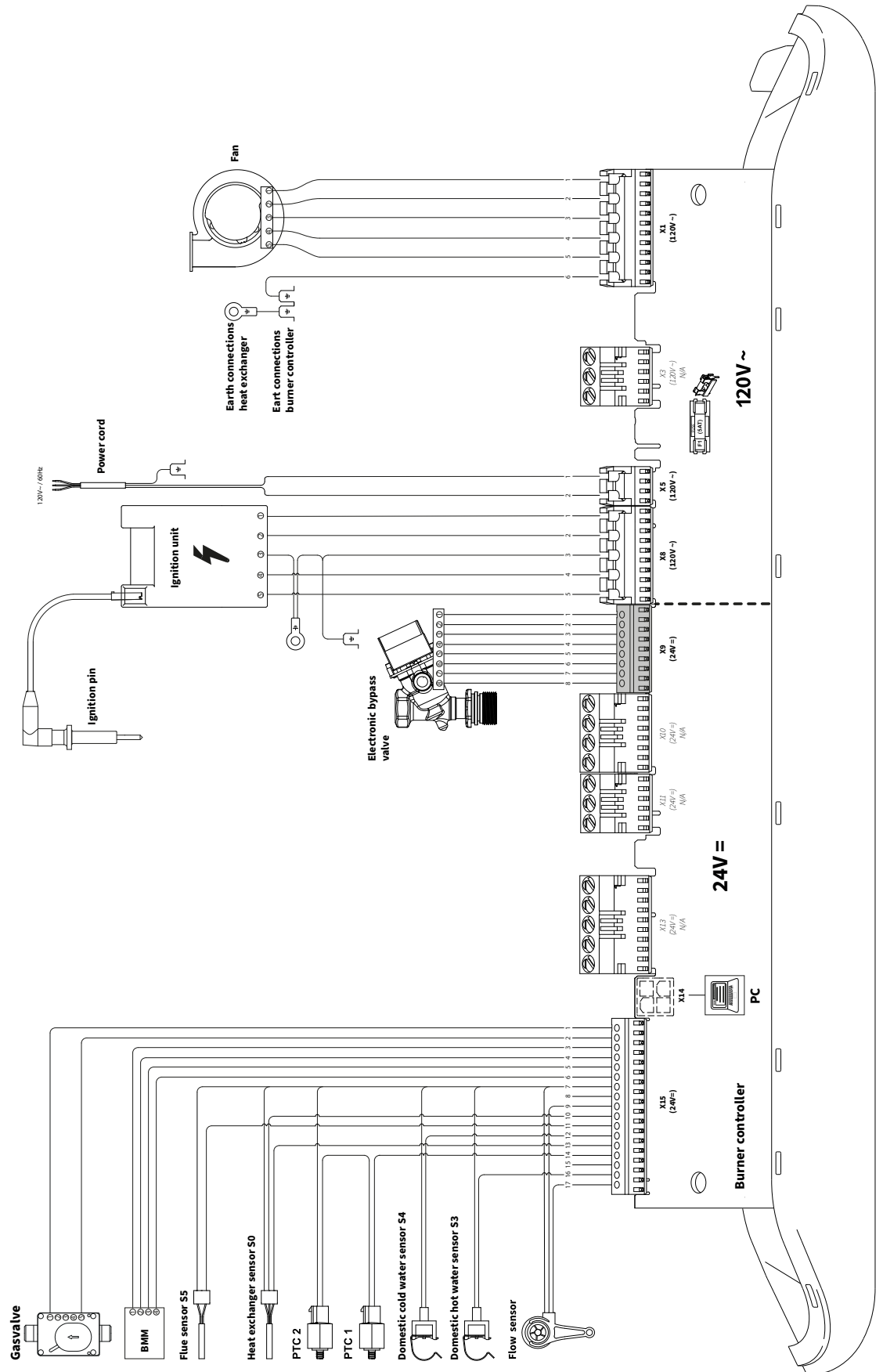


Diagram 6.2-2: Electrical wiring diagram

INSTALLATION & COMMISSIONING REPORT

Water Heater Details:

Model Number _____ Serial Number _____

Date of Installation _____ Address of installation _____

User contact information _____

Installer Information Company _____

Address _____

Phone/Fax/E mail _____

Fuel Natural Gas Propane

Gas Supply Pressure (high fire) _____ Inches w.c. Measured Rate of Input (high fire) _____ Btu/hr

Installation instructions have been followed and completed (Section 1 of Installation and Operating Instructions).

Check-out procedures have been followed and completed (Section 3 of Installation and Operating Instructions).

Leak testing completed gas piping venting system Fan and combustion components

Air purge completed

Relief Valve correctly installed and piped Relief valve "try lever" test performed

Condensate trap filled Condensate drain clear and free flowing Condensate Neutralization? Yes/No

Ignition Safety Shutoff test completed. Flame current reading - High fire _____ μ A - Low fire _____ μ A

Owner advised and instructed in the safe operation and maintenance of the unit.

Information regarding the unit and installation received and left with owner

Combustion Readings - recommended, but optional (required for fuel conversion):

CO₂ _____ % O₂ _____ % CO _____ ppm

Flue temperature _____ Return water temperature (measure simultaneously with flue temp.) _____

Commissioning has been completed as listed on this report - Installer Signature _____

This installation & commissioning report should remain with the Water Heater for future reference during maintenance and repair.

This page is intentionally left blank.

This page is intentionally left blank.

This page is intentionally left blank.



84160404

Rheem Sales Co.

Montgomery, AL.

(833) 212-9276

IBC Technologies Inc.

8015 North Fraser Way

Burnaby, BC Canada V5J 5M8

(844) HEAT-IBC / (844) 432-8422

IBC Technologies USA Inc.

121 Walter A Gaines Way

Lawnside, NJ 08045

(856) 887-0544

May 2023 ©