

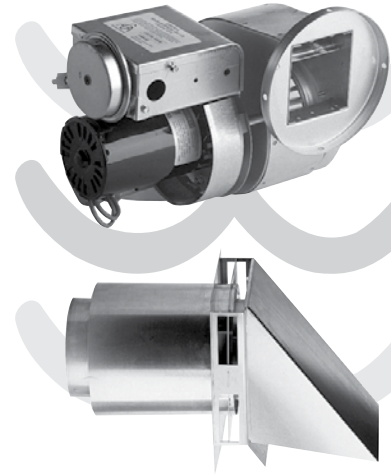


The new degree of comfort®

Rheem Power Vent Kits for commercial gas water heaters are your best choice for new construction, electric-to-gas conversions and renovations

Features & Benefits

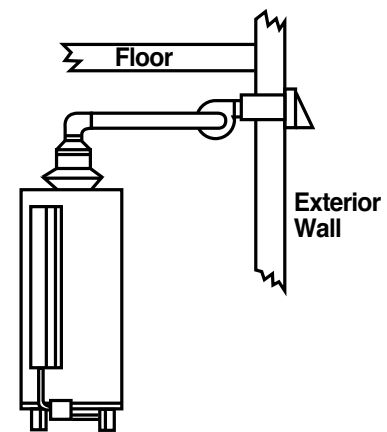
- Inputs: use with inputs from 98,000 – 400,000 BTU/h
- Use with natural gas or LP
- Vent Length: use for vent lengths up to a maximum of 50 feet including the vent terminal
- Vent terminal can be installed through combustible or non-combustible surfaces – heat shield is provided
- Venter can be connected to a vent termination on an exterior wall
- Vibration isolators are supplied to provide quiet operation
- Complete with mounting hardware
- Venter is pre-wired with 40 feet of #18-4 copper wire (24 volt)
- Power vent kits manufactured by Tjernlund Products, Inc. are tested and certified by CSA for use on these Rheem commercial gas water heaters (not for use with GN, GP, and GX models)



MODEL	VENT KIT	PART NO.	DRAFT HOOD OUTLET	VENT SIZE	VENT ADAPTER*
G50-98	PV Kit 4	AP11646	5"	4"	5" x 4"
G75-125	PV Kit 4	AP11646	5"	4"	5" x 4"
G82-156	PV Kit 4	AP11646	6"	4"	6" x 4"
G76-180	PV Kit 4	AP11646	6"	4"	6" x 4"
G37-200	PV Kit 5	AP11645	6"	6"	Not Req.
G76-200	PV Kit 5	AP11645	6"	6"	Not Req.
G91-200	PV Kit 5	AP11645	6"	6"	Not Req.
G100-200(A)	PV Kit 5	AP11645	6"	6"	Not Req.
G72-250(A)	PV Kit 5	AP11645	6"	6"	Not Req.
G100-250(A)	PV Kit 5	AP11645	8"	6"	8" x 6"
G100-270(A)	PV Kit 5	AP11645	8"	6"	8" x 6"
G72-300(A)	PV Kit 5	AP11645	8"	6"	8" x 6"
G85-300(A)	PV Kit 5	AP11645	8"	6"	8" x 6"
G100-310(A)	PV Kit 5	AP11645	7"	6"	7" x 6"
G65-360(A)	PV Kit 5	AP11645	8"	6"	8" x 6"
G65-400(A)	PV Kit 5	AP11645	8"	6"	8" x 6"
G85-400(A)	PV Kit 5	AP11645	10"	6"	10" x 6"
G100-400(A)	PV Kit 5	AP11645	8"	6"	8" x 6"
GD100-250(A)	PV Kit 5	AP11645	6"	6"	Not Req.
GD100-270(A)	PV Kit 5	AP11645	6"	6"	Not Req.
GD100-310(A)	PV Kit 5	AP11645	6"	6"	Not Req.
GD100-360(A)	PV Kit 5	AP11645	6"	6"	Not Req.

*Note: Vent Pipe and Vent Adapter are NOT included.

Rheem Power Vent Kits from Tjernlund Power Venter and Vent Terminal Gas



Typical Application



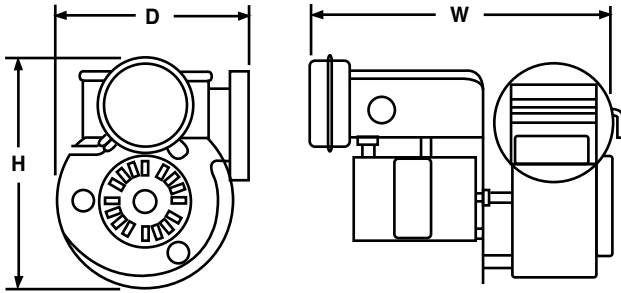
The new degree of comfort.



Power Venter Kit Dimensions

KIT#	MOTOR WATTS	MOTOR AMPS	MAX VENT	HEIGHT (H)	WIDTH (W)	DEPTH (D)	INLET OUTLET
4	95	1.26	50 ft	7-7/8"	11"	7"	4"
5	170	1.51	50 ft	9-1/4"	11-5/8"	8-5/8"	6"

Note: Max Vent Length based on total length of straight vent pipe plus 10 feet for each 90 degree elbow and 5 feet for each 45 degree elbow.

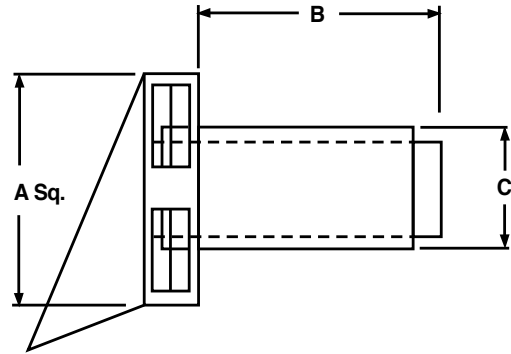


For technical assistance, please call the Tjernlund Help Line at 1-800-255-4208.

Vent Terminal Dimensions

KIT#	A	B	C	ROUGH IN DIMENSION
4	9"	9-1/2"	7" Sq.	8" Sq.
5	10-1/8"	9-1/2"	8-1/2" Dia.	9" Dia.

Note: Max Vent Length based on total length of straight vent pipe plus 10 feet for each 90 degree elbow and 5 feet for each 45 degree elbow.



In keeping with its policy of continuous progress and product improvement, Rheem reserves the right to make changes without notice.

Rheem Water Heating • 1115 Northmeadow Parkway, Suite 100
Roswell, Georgia 30076 • www.rheem.com

