

AccuMix II™

Specifications

Tankless Electric Water Heater

Thermostatic Heater Ideal for Sensor or Metering Faucets – UPC 407.3 and IPC 416.5 Compliant

Applications

- Public handwashing
- Lavatory sinks
- Ideal for sensor or metering faucets

Features

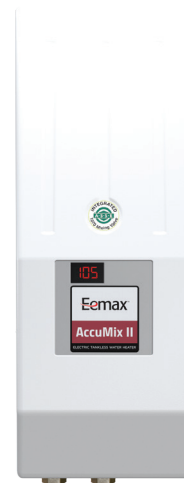
- Integrated mixing valve meets ASSE 1070
- Unit meets UPC 407.3 and IPC code 416.5 requirements when properly installed
- Self-diagnostics with intelligent controls actively protect heater in installed environment
- SafeStart™ technology engages upon start-up to help avoid dry-fire occurrence
- Low activation with 0.3 GPM turn on flow
- Digital LED display communicates system status and heater operation feedback
- Silent operation on all models except for AM012240T
- Mounts in any orientation for a flexible installation
- Compact size fits almost anywhere; suitable for ADA compliant facilities
- Only one input line, hot or cold, needed for an easy installation. Inlet water temperature not to exceed 100°F
- Designed to deliver hot water to a single pipe faucet or mixing faucets
- Integral 3/8" compression fittings; no soldering or sweat connections required
- No T&P relief valve needed (check local codes)
- Save water and time by installing unit at the point-of-use
- Control system activates heater only on demand
- High temperature limit switch enables safe operation
- Active energy management with power modulation allows for thermostatic accuracy
- 5-year limited warranty on leaks, 1-year on parts

Product Specifications

Dimensions:	14.5" H x 5.25" W x 4" D
Weight:	5.5 lb
Cover:	ABS-UL 94 5VA
Color:	White
Temperature:	Factory set to 105°F
Min. Operating Pressure:	30 PSI
Max. Operating Pressure:	150 PSI
Element:	Replaceable nichrome cartridge insert
Fittings:	3/8" compression fittings
UL listed file number:	E86887

Special Design Service

Inquiries for units for unique applications are welcome. Call our Technical Service department at **1 800 543 6163**.



Water Heater in accordance with NSF/ANSI 372 MH49688



Note: For ICC compliance, mounting location must be located within 2 feet of fixture. Over 2 feet, contact manufacturer.

Suggested Specification

Tankless water heater shall be an Eemax AccuMix II model number AM_____.

Unit shall have ABS-UL 94 5VA rated cover. Unit shall have 0.3 GPM turn on. Unit shall allow mounting in any direction. Uses ASSE 1070 approved integrated mixing valve to conform to UPC 407.3 and IPC 416.5. Element shall be replaceable cartridge insert. Unit shall have replaceable filter in the inlet connector. Element shall be iron free, Nickel Chrome material. Tankless water heater to utilize complex algorithm, actively managing power application to real time system demand. Integrated flow meter, along with inlet and outlet temperature sensors provide data which allows the unit to instantly adapt to variations in input parameters. Heater shall be fitted with 3/8" compression fittings to eliminate need for soldering. Maximum operating pressure of 150 PSI. Diagnostic features to include error/fault display. Hot water storage tanks prohibited. Unit shall be Eemax or approved equal.

Specification options to be included:

- N4** NEMA 4 steel cabinet with powder coat finish
- N4X** NEMA 4 stainless steel, corrosion-resistant cabinet
- EX68031-15** Disconnect Switch (see page 42-43)

NOTE: Unit should not be used in a recirculation application. Contact an EEMAX representative for alternative recommendations.

Ideal for Sensor or Metering Faucets – UPC 407.3 and IPC 416.5 Compliant

Warning: The temperature of this heater has been Eemax factory set at 105°F for handwashing applications and cannot be adjusted. Tampering with any adjustments will void warranty and may cause a loss of compliance to Uniform Plumbing Code 407.3. For further information please contact our technical support department at **1-800-543-6163**.

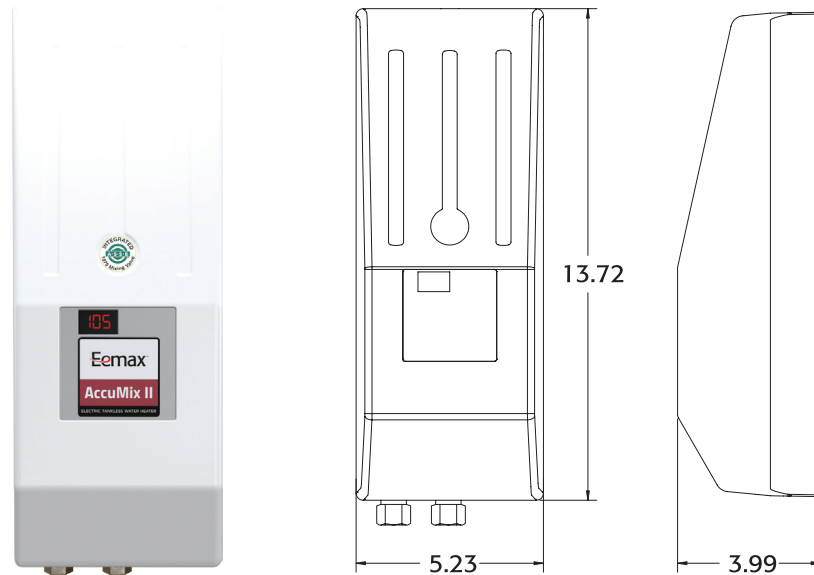
NOTE: Unit should not be used in a recirculation application. Contact an EEMAX representative for alternative recommendations.

MODEL NUMBERS	KW	TOTAL AMP DRAW	CIRCUITS REQUIRED X BREAKER SIZE	RECOMMENDED WIRE SIZE (75° C/CL)	# OF 0.5 AERATORS SUPPLIED/UNIT	TURN ON (GPM)	TEMPERATURE RISE °F			
							0.3 GPM	0.5 GPM	1.0 GPM	1.5 GPM
VOLTS 120										
AM004120T	3.5	30	(1x30)	10 AWG	1	0.3	80°	48°	24°	16°
VOLTS 240° Single Phase										
AM005240T	4.8	20	(1x20)	12 AWG	1	0.3	†	66°	33°	22°
AM005240T (derated 208V perf.)	3.6	17.3	(1x20)	12 AWG	1	0.3	70°	49°	25°	16°
AM007240T	6.5	27	(1x30)	10 AWG	2	0.3	†	†	44°	30°
AM007240T (derated 208V perf.)	4.9	23.4	(1x30)	10 AWG	2	0.3	95°	66°	33°	22°
AM010240T	9.5	40	(1x40)	8 AWG	3	0.3	†	†	65°	43°
AM010240T (derated 208V perf.)	6.9	33	(1x40)	8 AWG	3	0.3	†	94°	47°	31°
AM012240T	11.5	48	(1x50)	8 AWG	4	0.3	†	†	79°	52°
AM012240T (derated 208V perf.)	8.7	41.6	(1x50)	8 AWG	4	0.3	†	†	59°	39°
VOLTS 277 Single Phase										
AM004277T	4.1	15	(1x15)	14 AWG	1	0.3	†	56°	28°	19°
AM008277T	8.0	29	(1x30)	10 AWG	2	0.3	†	†	55°	36°
AM010277T	10.0	36	(1x40)	8 AWG	3	0.3	†	†	68°	46°

* 240V units can be used on 208V single phase with approximately 25% reduced kilowatt output. Please note per UL standards the rating plate and installation instructions will all be according to a 208V to 240V single phase applied voltage. Check with local officials prior to derating the electrical infrastructure.

† Units are factory preset to 105°F.

"C" indicates evaluation and compliance to either Underwriters Laboratories (UL) or Intertek (ETL) under CAN/CSA-C22.2 No. 64/No. 88.



Disconnect Switch Applications

EX68031-15	EX68031-16
AM004120T, AM005240T, AM004277T, AM008277T	AM010240T, AM012240T, AM010277T