



SUBMITTAL U30AJHUAH

Inverter Driven Heat Pump

30,000 BTU Multi Position AHU

Job Name _____
 Location _____
 Engineer _____
 Submitted To _____
 Submitted By _____
 Reference _____

Date _____
 Approval _____
 Construction _____
 Unit No _____
 Drawing No _____

PRODUCT FEATURES

- Up to 1" WC
- Two wire Control Compatible
- Heating operation rated down to -15°F outdoor temperature
- Quiet Operation (as low as 25 decibels)
- Long Lineset Lengths (up to 246')
- All Aluminium Coil



MODEL NUMBERS

Indoor Unit	RHMVZ3021SNAUNJ
Outdoor Unit	RD16AZ30AJHUA
System	U30AJHUAH

EFFICIENCIES

SEER	19.1	
SEER 2	18.8	
EER	12	
EER 2	11.7	
HSPF	10.5	
HSPF 2	9.7	
COP	kW/kW	3.64
COP	Btu/hW	--
COP2	kW/kW	3.46
COP2	Btu/hW	--

OUTDOOR TEMPERATURE OPERATION RANGE

Cooling	*F(°C)	-5 to 115 (-21 to 46)
Heating		-15 to 75 (-26 to 24)

CAPACITIES

	Rated		Btu/h
	Min.	Max.	
Cooling	28600		9,600-35,000
	32000		
Heating	9,200-39,000		

LINESET REQUIREMENTS

Connection Method	Flare	
Liquid	in (mm)	Ø 3/8 (Ø 9.52)
Gas		Ø 5/8 (Ø 15.88)
Pre-charge length		98 (30)
Minimum Length	ft (m)	16 (5)
Max. length		246 (75)
Max. height difference		98 (30)

INDOOR DIMENSIONS & WEIGHT

Net (H x W x D)	in (mm)	42-1/2 x 21 x 21-11/16
Gross (H x W x D)		42-3/4 x 24 x 25-5/16
Net Weight	lb (kg)	104 (47.0)
Gross Weight		116 (52.5)

OUTDOOR DIMENSIONS & WEIGHT

Net (H x W x D)	in (mm)	39-5/16 x 38-3/16 x 14-9/16 (998 x 970 x 370)
Gross (H x W x D)		45-3/4 x 41-7/8 x 18-13/16 (1,162 x 1,064 x 478)
Net Weight	lb (kg)	187 (85)
Gross Weight		209 (95)

Warranty Information

7 Year Compressor, 5 Year Parts out-of-the-box Warranty

10 Year Compressor, 10 Year Parts Warranty when registered within 60 days of installation in a residence

ACCESSORIES

RXRNRUZ - Series	Wired Remote Controller
RXRSRY	Simple Remote Controller
RXRHRH	Simple Remote Controller
RXLBTUM	IR Receiver Kit with Wireless Remote Controller
RXXSZX	Remote Sensor Unit
RXXWZXZG	External Connect Kit
RXXCSX	External Input and Output PCB
RXGXRA	External Input and Output PCB Box
RXXWZXZJ	Wire Kit
RXTRXZ1	Thermostat Converter



Ruud
 P.O. Box 17010
 Fort Smith, AR 72917
 (800) 432-8373 Phone
 www.ruud.com

Due to continuous product improvements, specifications are subject to change without notice. Please log in to the Fujitsu Portal for the most up-to-date documentation <https://connect.fujitsugeneral.com>

Effective Date: 2/7/2023



SUBMITTAL U30AJHUAH

Inverter Driven Heat Pump

30,000 BTU Multi Position AHU

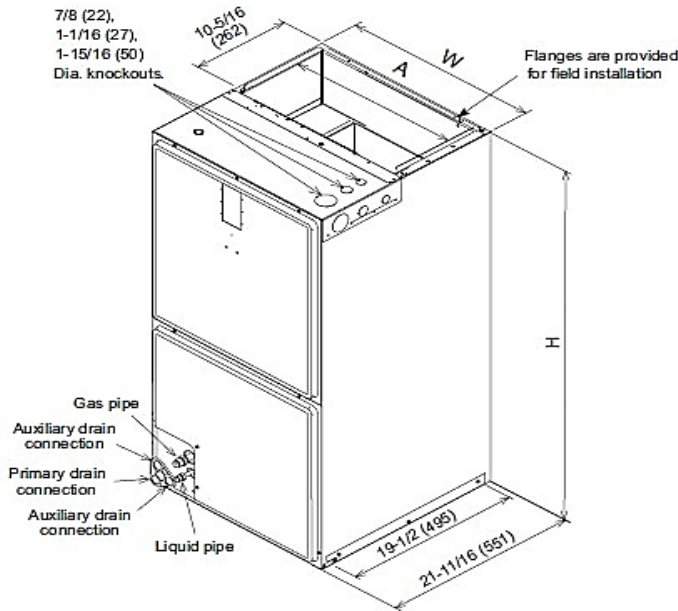
FAN DATA				
Indoor Unit Airflow rate	Cooling	HIGH	CFM (m3/h)	870 (1,478)
		MED		730 (1,240)
		LOW		590 (1,002)
		QUIET		310 (527)
	Heating	HIGH		870 (1,478)
		MED		730 (1,240)
		LOW		590 (1,002)
		QUIET		310 (527)
Outdoor Unit Airflow rate	Cooling		2,590 (4,400)	
	Heating		2,590 (4,400)	
SOUND PRESSURE				
Indoor Unit	Cooling	HIGH	dB (A)	42
		MED		37
		LOW		33
		QUIET		28
	Heating	HIGH		39
		MED		36
		LOW		32
		QUIET		25
Outdoor Unit	Cooling		52	
	Heating		53	
REFRIGERANT				
Type				R410A
Charge	lb oz			7 lb 8 oz
	g			3400
Oil Type				POE (RB68)

ELECTRICAL SPECIFICATIONS					
Voltage/Frequency/Phase		208/230 V ~ 60 Hz			
Available Voltage Range		187–253 V			
Current	Cooling	Rated	A	11	
	Heating	Rated		12.1	
Maximum Operating Current	Cooling			19.8	
	Heating			26.8	
Starting Current		11.4			
MCA		31.9			
Maximum Circuit Breaker		35			
Input Power	Cooling	Rated		kW	2.44
		Min.–Max.	0.44–3.40		
	Heating	Rated	2.71		
Min.–Max.		0.60–4.17			
Power Factor	Cooling				96.4
	Heating				97.4
OTHER					
Moisture removal		pints/h (L/h)	6.8 (3.2)		
Energy Star		No			
Drain hose	Material		LDPE		
	Tip diameter	in (mm)	Ø1/2 (13.0) [I.D.], Ø5/8 to Ø11/16 (16.0 to 16.7) [O.D.]		
Operation Range	Cooling	°F (°C)	64 to 90 (18 to 32)		
		%RH	80 or less		
Static pressure range	Heating	°F (°C)	60 to 86 (16 to 30)		
		inWG (Pa)	0.08 to 1 (20 to 250)		

DIMENSIONS:

Indoor Unit

Units: In. (mm)



Model	A (Supply duct)	W (Unit width)	H (Unit height)
RHMVZ3021SNAUNJ	19-1/2 (495)	21 (533)	42-1/2 (1,080)
Return Opening Dimensions			
Width (in)	Depth (in)		
19 3/8	19 3/4		



RUUD
 P.O. Box 17010
 Fort Smith, AR 72917
 (800) 432-8373 Phone
 www.ruud.com

Due to continuous product improvements, specifications are subject to change without notice. Please log in to the Fujitsu Portal for the most up-to-date documentation <https://connect.fujitsugeneral.com>

