



PROJECT NAME _____
 LOCATION _____
 ARCHITECT _____
 ENGINEER _____
 CONTRACTOR _____
 SUBMITTED BY _____ DATE _____

UNIT SUMMARY

Quantity						
Unit Designation						
Model No.						
Total Cooling						
Sensible Cooling						
Air Ent. Evaporator						
Air Lvg. Evaporator						
Heating Input						
Heating Output						
CFM/ESP						
EER/SEER						
Electrical						
Minimum Ampacity						
Min.-Max. Breaker						
Net Unit Weight						
Accessory						
Catalog Form Number						

ACCESSORIES:

NOTES:

Endeavor® Line RF2TZ Air Handler

Nominal Sizes: 2 to 3 Ton [5.3 to 10.6 kW]

JOB NAME _____ LOCATION _____
 CONTRACTOR _____ ORDER NO. _____
 ENGINEER _____ UNIT MODEL NO. _____
 SUBMITTED FOR APPROVAL RECORD COIL MODEL NO. _____
 DATE _____ AIR HANDLER MODEL NO. _____

UNIT DATA

COOLING PERFORMANCE

TOTAL CAPACITY* _____ MBH [kW]
 SENSIBLE CAPACITY* _____ MBH [kW]
 OUTDOOR DESIGN TEMP..... _____ °F [°C] DB
 TOTAL SUPPLY AIR..... _____ CFM [L/s]
 TEMP. OF AIR ENTERING
 EVAPORATOR COIL _____ °F [°C] DB
 _____ °F [°C] WB
 POWER INPUT REQUIREMENT _____ kW
(*uses blower motor heat)

HEATING PERFORMANCE

TOTAL CAPACITY* _____ MBH [kW]
 OUTDOOR DESIGN TEMP..... _____ °F [°C] DB
 TEMP. OF AIR ENTERING
 EVAPORATOR COIL _____ °F [°C] DB
 ELECTRIC HEAT CAPACITY _____ kW
 POWER INPUT REQUIREMENT _____ kW
(*uses blower motor heat)

SUPPLY AIR BLOWER PERFORMANCE

TOTAL AIR SUPPLY _____ CFM [L/s]
 TOTAL RESISTANCE EXTERNAL
 TO UNIT _____ IWG
 BLOWER SPEED _____ RPM
 POWER OUTPUT REQUIREMENT _____ BHP
 MOTOR RATING _____ HP [W]
 POWER INPUT REQUIREMENT _____ kW

ELECTRICAL DATA

POWER SUPPLY _____ Hz
 TOTAL UNIT AMPACITY _____ AMPS
 MINIMUM WIRE SIZE _____ AWG
 MAXIMUM OVERCURRENT DEVICE
 FUSES/HACR BREAKER _____ AMPS

CLEARANCES

SERVICE ACCESS FRONT 24" [609.6 mm]

FEATURES

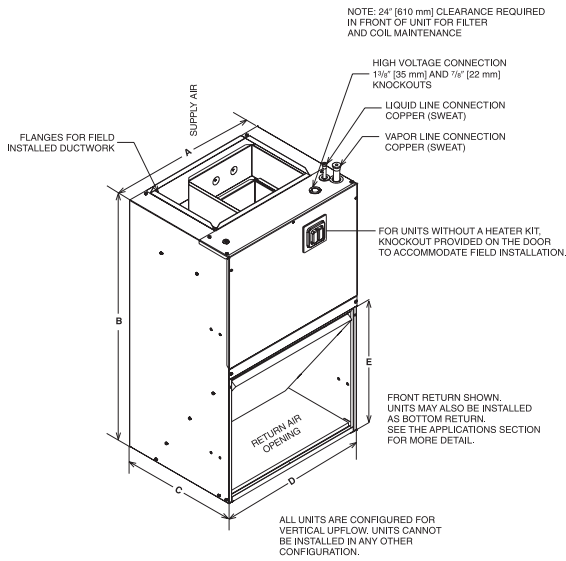
- **Quiet Operation¹:** Provided by a cabinet construction with 1.0 inch of foil faced insulation for quieter sound characteristics
- **Front or Bottom Return with Aluminum Indoor Coil Design:** Constructed of aluminum fins bonded to internally grooved aluminum tubing and are more corrosion resistant
- **Rugged Steel Cabinet Construction:** Designed for added strength and versatility
- **Most Compact Unit Design Available:** All Standard air handler models are only 36" [915 mm] in height

¹Based on manufacturer's furnace offering, and the product's heating stages, motor type and cabinet insulation. Sound levels are also dependent on furnace location and installation.



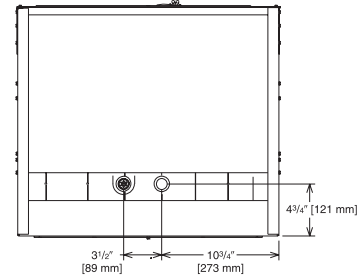
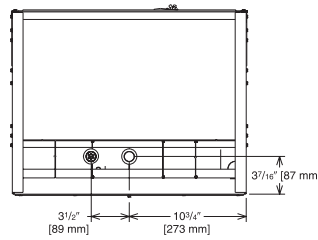
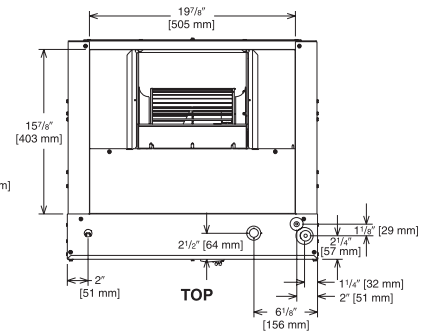
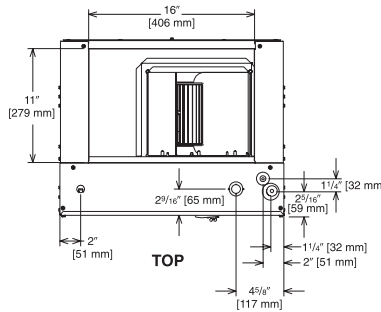
9001:2015





Return Air Opening Dimensions

Model Cabinet Size	Return Air Opening Width (Inches)	Return Air Opening Depth/Length (Inches)
17	15 7/8	19 3/4
21	19 3/8	19 3/4
24	22 7/8	19 3/4



1 1/2 & 2 TON [5.28 & 7.03 kW] MODELS

2 1/2 & 3 TON [8.79 & 10.6 kW] MODELS

Unit Dimensions & Weights

Model	(A) Unit Width In. [mm]	(B) Unit Height In. [mm]	(C) Unit Depth In. [mm]	(D) Return Air Opening Width In. [mm]	(E) Return Air Opening Height In. [mm]	Filter Size in. x in. x in. [mm x mm x mm]	Air Flow CFM (Nom.) [L/s]		Unit Weight/Shipping Weight (Lbs.) [kg]
							Low	High	
RF2TZ2421	21 1/2 [546.1]	36 [914.4]	17 [431.8]	20 [508.0]	17 7/16 [442.9]	20 X 20 X 1 [508 X 508 X 25.4]	600 [283]	800 [378]	95 [43] x 105 [48]
RF2TZ3624	24 [609.6]	36 [914.4]	21 [533.4]	23 [584.2]	21 3/8 [542.9]	20 X 25 X 1 [508 X 635 X 25.4]	1000 [472]	1200 [566]	95 [43] x 105 [48]

[] Designates Metric Conversions

Before proceeding with installation, refer to installation instructions packaged with each model, as well as complying with all Federal, State, Provincial, and Local codes, regulations, and practices.

5600 Old Greenwood Road
Fort Smith, Arkansas 72908

© 2023 Rheem Manufacturing Company. Rheem, Ruud and Friedrich trademarks owned by Rheem Manufacturing Company.

"In keeping with its policy of continuous progress and product improvement, Rheem reserves the right to make changes without notice."