



Sharing the Warmth™

Smart SPA 5.5
Smart SPA 11

Tankless Electric Spa Water Heater

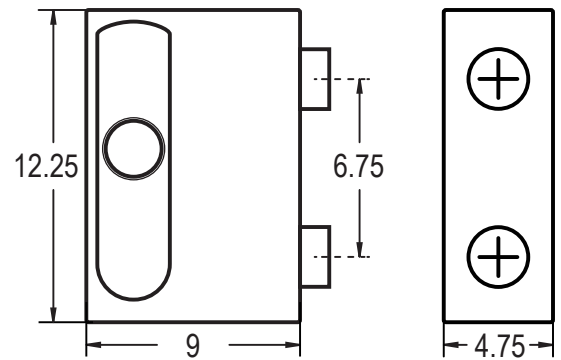
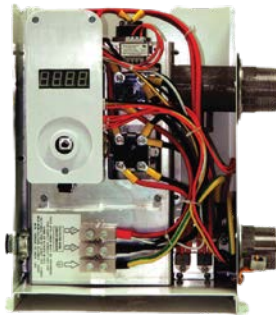
Nobody wants a cold spa. The EcoSmart Smart Spa tankless series can provide 1° to 1.5°F temperature rise per hour for the on-demand pool and spa heating experience. Utilizing the latest flow sensor technology, functionality and reliability is increased. The digital thermostat control allows the user to set an exact temperature no matter what the ambient temperature. The EcoSmart Smart Spa tankless heaters are compact and easy to install for a new system or to replace an existing heater. EcoSmart is sharing the warmth in the home and in the spa.



- 
endless
hot water
- 
save
space
- 
save
energy
- 
save
time
- 
save
money

Smart Spa 5.5

Smart Spa 11

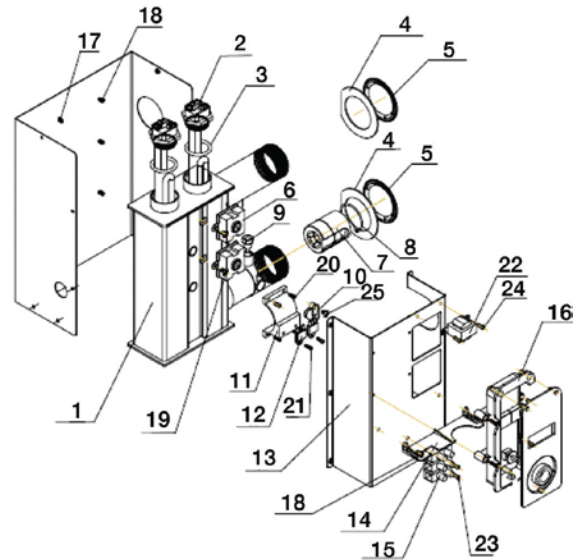


Product dimensions shown in inches.

SPECIFICATIONS

Model #	SMART SPA 5.5	SPART SPA 11
kW	5.5	11.8
Voltage	220	220
Phase	Single	Single
Element	(1) 5.5kW @ 220V	(2) 5.5kW @ 220V
Required Breaker	30 A	60 A
Max Power (AMP)	30	54
Required Wire	10 AWG	6 AWG
Water Connections	1-1/2" NPT	1-1/2" NPT
Dimensions	12.25" x 9" x 4.75"	12.25" x 9" x 4.75"
Weight	15.15 lbs	16.3 lbs
Activation Flow	10.0 GPM	10.0 GPM
Certification	UL-1261, ETL Listed	
Warranty	2 Year Limited	

PRODUCT PARTS



- 1. Heat Exchanger
- 2. Heating Elements
- 3. Gasket Rings
- 4. Inlet/Outlet Gasket
- 5. Inlet/Outlet Push Nut
- 6. Thermostats
- 7. Flow Sensor
- 8. Flow Sensor Snap Ring
- 9. Thermistor
- 10. Flow Sensor/Hall Effect
- 11. Triac Cooling Plate
- 12. Triac
- 13. Aluminum Bracket
- 14. Ground Terminal Block
- 15. Terminal Block
- 16. Circuit Board Case
- 17. Stainless Steel Screw M 4x12
- 18. Stainless Steel Screw M 4x10
- 19. Stainless Steel Screw M 4x6
- 20. Stainless Steel Screw M 4x10
- 21. Stainless Steel Screw M 4x8
- 22. Terminal Block
- 23. Terminal Block
- 24. Terminal Block
- 25. Terminal Block

TIME TO TEMPERATURE RISE

Table shows minutes to raise spa temperature by 15°F. For more information on how to calculate spa size in gallons and examples of other time to temperature rise, visit EcoSmartUS.com

FLOW RATE CAPACITY CHART (GPM)

MODEL	200	300	400	500	600	700	800	900	1000
Smart SPA 5.5	80	120	160	200	240	280	320	360	400
Smart SPA 11	40	60	80	100	120	140	160	180	200

Minutes to raise temperature by 15°F. Times do not account for heat loss - actual heat up times may vary

"EcoSmart®" is member of the Eemax, Inc. family of brands. © 2019 Eemax, Inc. All rights reserved.

ecosmartus.com

Sharing the Warmth



ecosmart®
TANKLESS WATER HEATERS

EcoSmart, 400 Captain Neville Dr, Waterbury, CT 06705 USA
877-474-6473 | support@ecosmartus.com