



**Russell**<sup>™</sup>  
By Rheem

# MODEL: RACA14/15 Package Air Conditioners

FORM NO. SRR-969 REV. 2

## Russell<sup>™</sup> By Rheem Package Air Conditioners



### RACA14- 14 SEER

- Nominal Sizes 2-5 Tons [7.0-17.6 kW]

### RACA15- 15 SEER

- Nominal Sizes 2-5 Tons [7.0-17.6 kW]

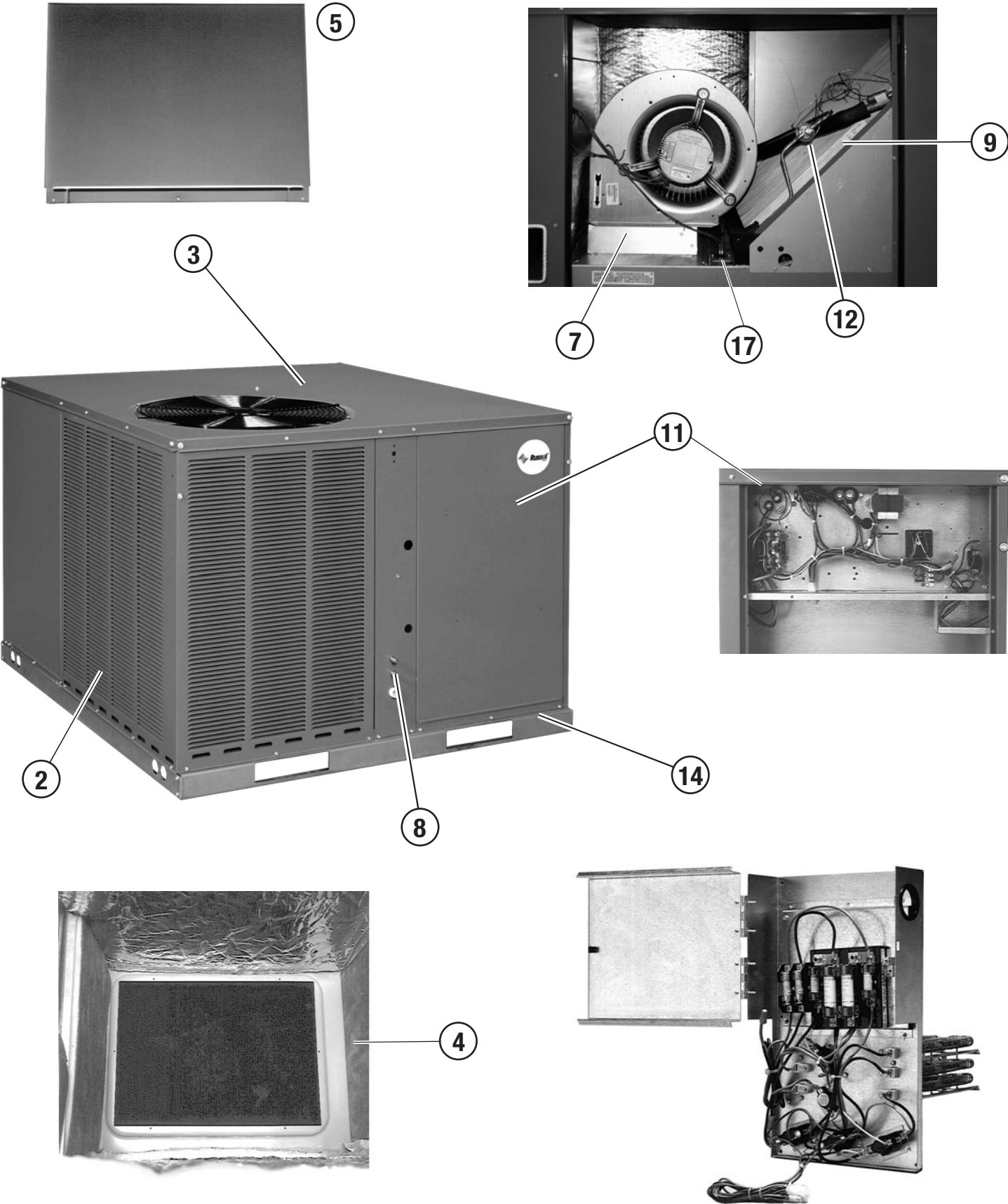


(15 SEER/12.0 EER  
AND ABOVE ONLY)

"Proper sizing and installation of equipment is critical to achieve optimal performance. Split system air conditioners and heat pumps must be matched with appropriate coil components to meet Energy Star. Ask your Contractor for details or visit [www.energystar.gov](http://www.energystar.gov)."

## TABLE OF CONTENTS

Unit Features & Benefits .....	3-4
Model Number Identification .....	5
Available SKUs .....	5
General Data	
RACA14- .....	6-10
RACA15- .....	11-15
General Data Notes .....	16
Gross Systems Performance Data	
RACA14- .....	17-22
RACA15- .....	23-28
Indoor Airflow Performance .....	29-32
Electrical Data	
RACA14- .....	33-35
RACA15- .....	36-38
Electric Heater Kits .....	39-44
Dimensional Data .....	45-46
Typical Installations .....	47
Accessories .....	48-56
Limited Warranty .....	57





## Features Below Correspond to Photos on Page 3

1. All models feature Scroll® compressors for maximum efficiency and quiet operation. The 5-Ton RACA14/15 models features Scroll UltraTech™ 2-Stage compressors with Comfort Alert™ diagnostics (see below), high/low pressure switches, and hard start kit.
2. Louvered condenser compartment to protect the coil against yard hazards and/or weather extremes.
3. One-piece top with a drip flange to help keep water out of the unit.
4. Drawn supply and return air openings feature a one-inch tall flange to prevent water migration into the ductwork.
5. Access panels have “weep holes” and channels to further help manage water run-off.
6. All models are shipped ready for horizontal application.
7. Easily accessible blower section complete with slide-out blower.
8. Refrigerant connections are conveniently located for easy service diagnostics.
9. Micro Channel evaporator and condenser delivers superior performance with less refrigerant charge and less weight than conventional copper tube/aluminum fin coils. In addition the all aluminum construction has superior protection against formicary corrosion and aluminum tube rubbing potential. It is easier to clean and has a more robust surface.
10. Supplemental electric heat strips up to 15 kW are available (field or factory installed) for periods of extreme cold temperatures. Single point wiring simplifies installation.
11. Easily accessible control box.
12. Thermal expansion valve standard on all models for superior superheat control, reliability, and energy efficiency at all operating conditions.
13. Solid core liquid line. Filter drier standard on all models (not shown).
14. Rugged baserail included for improved installation and handling.
15. Molded compressor plug.
16. Complete factory charged, wired and run tested.
17. A double sloped evaporator coil drain pan assures all water is removed from the unit to improve indoor air quality.

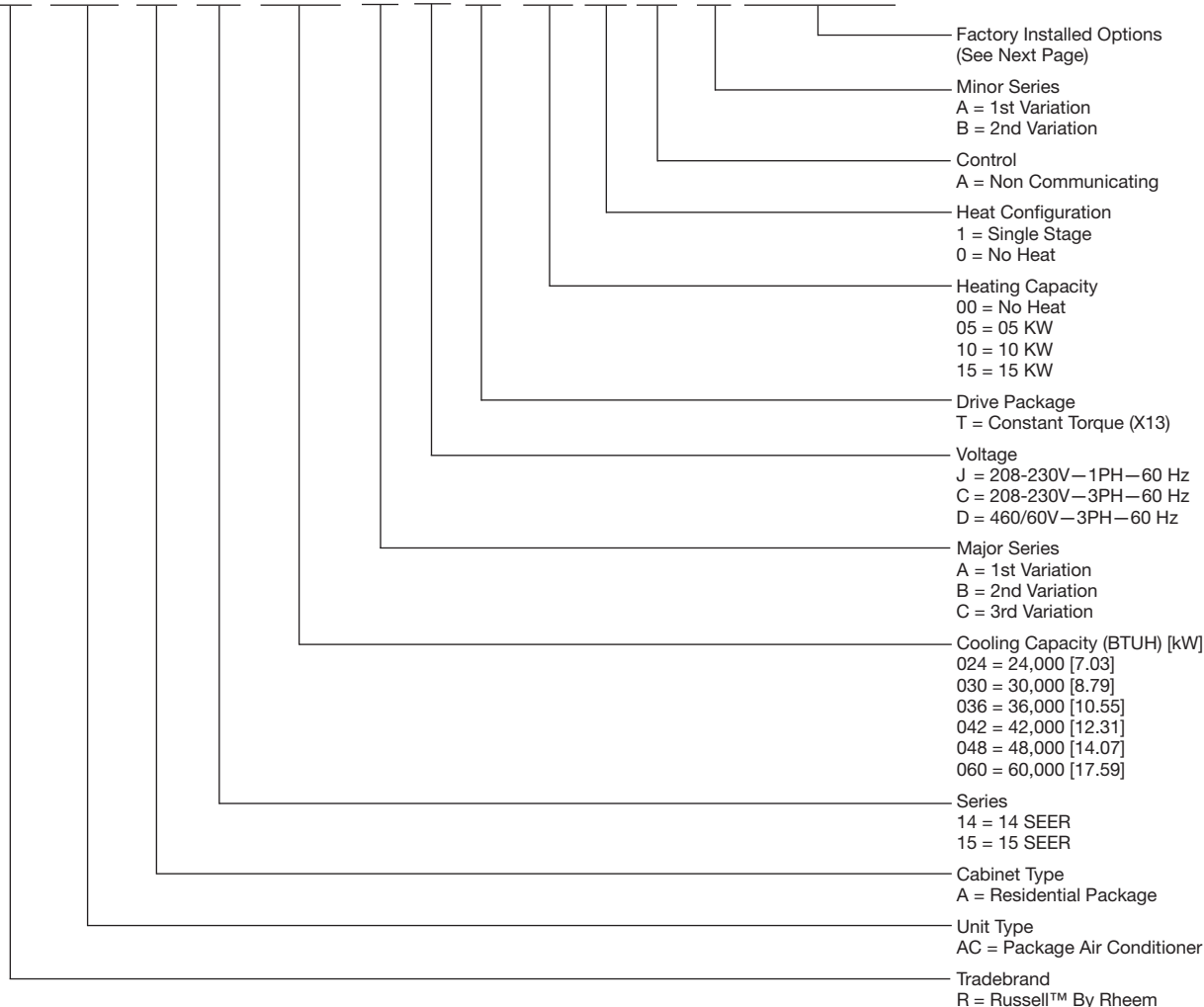
## Comfort Alert™ Diagnostics – Faster Service And Improved Accuracy (2-Stage Models Only)

The Comfort Alert™ diagnostics module is a breakthrough innovation for troubleshooting air conditioning system failures. The module is installed in the control box near the compressor contactor. By monitoring and analyzing data from the Scroll® compressor and the thermostat demand, the module can accurately detect the cause of electrical and system related failures without any sensors. A flashing LED indicator communicates the ALERT code and guides the service technician more quickly and accurately to the root cause of a problem.

**NOTE: Single phase module does not provide active compressor protection! The Comfort Alert module is a monitoring device and cannot control or shut down the compressor unless used with a compatible thermostat.**

**NOTE: Three phase module provides compressor protection and will shut down the compressor when compressor damaging conditions are detected.**

**R AC A 14 036 A J T 10 1 A A X X X**



[ ] Designates Metric Conversions

**Available SKUs**

Available Models					
RACA14024BJT000AB	RACA14036BJT151AB	RACA14048BJT000AA	RACA15024BJT000AA	RACA15036BJT151AA	RACA15048AJT000AA
RACA14024BJT051AB	RACA14042ACT000AB	RACA14048BJT051AA	RACA15024BJT051AA	RACA15042BCT000AA	RACA15048AJT051AA
RACA14024BJT101AB	RACA14042ACT101AB	RACA14048BJT101AA	RACA15024BJT101AA	RACA15042BCT101AA	RACA15048AJT101AA
RACA14030BJT000AB	RACA14042ACT151AB	RACA14048BJT151AA	RACA15030AJT000AA	RACA15042BCT151AA	RACA15048AJT151AA
RACA14030BJT051AB	RACA14042AJT000AB	<b>RACA14060CCT000CA</b>	RACA15030AJT051AA	RACA15042BJT000AA	<b>RACA15060ACT000AA</b>
RACA14030BJT101AB	RACA14042AJT051AB	<b>RACA14060CCT101AA</b>	RACA15030AJT101AA	RACA15042BJT051AA	<b>RACA15060ACT101AA</b>
RACA14036BCT000AB	RACA14042AJT101AB	<b>RACA14060CCT151AA</b>	RACA15036BCT000AA	RACA15042BJT101AA	<b>RACA15060ACT151AA</b>
RACA14036BCT101AB	RACA14042AJT151AB	<b>RACA14060CJT000CA</b>	RACA15036BCT101AA	RACA15042BJT151AA	<b>RACA15060AJT000AA</b>
RACA14036BCT151AB	RACA14048BCT000AA	<b>RACA14060CJT051AA</b>	RACA15036BCT151AA	RACA15048ACT000AA	<b>RACA15060AJT051AA</b>
RACA14036BJT000AB	RACA14048BCT101AA	<b>RACA14060CJT101AA</b>	RACA15036BJT000AA	RACA15048ACT101AA	<b>RACA15060AJT101AA</b>
RACA14036BJT051AB	RACA14048BCT151AA	<b>RACA14060CJT151AA</b>	RACA15036BJT051AA	RACA15048ACT151AA	<b>RACA15060AJT151AA</b>
RACA14036BJT101AB			RACA15036BJT101AA		

Bold indicates two-stage cooling product

## NOMINAL SIZES 2-5 TONS [7.0-17.6 kW]

Model RACA14	024BJT***AA	024BJT***AB	030BJT***AA	030BJT***AB
<b>Cooling Performance<sup>1</sup></b>				<b>CONTINUED</b> →
Gross Cooling Capacity Btu [kW]	24,400 [7.15]	24,400 [7.15]	28,600 [8.38]	28,600 [8.38]
EER/SEER <sup>2</sup>	11/14	11/14	11/14	11/14
Nominal CFM/AHRI Rated CFM [L/s]	800/900 [378/425]	800/900 [378/425]	1000/975 [472/460]	1000/975 [472/460]
AHRI Net Cooling Capacity Btu [kW]	23,600 [6.91]	23,600 [6.91]	28,000 [8.2]	28,000 [8.2]
Net Sensible Capacity Btu [kW]	17,700 [5.19]	17,700 [5.19]	21,000 [6.15]	21,000 [6.15]
Net Latent Capacity Btu [kW]	5,900 [1.73]	5,900 [1.73]	7,000 [2.05]	7,000 [2.05]
Net System Power kW	2.1	2.1	2.21	2.21
<b>Compressor</b>				
No./Type	1/Scroll	1/Scroll	1/Scroll	1/Scroll
<b>Outdoor Sound Rating (dB)<sup>3</sup></b>				
	76	76	76	76
<b>Outdoor Coil—Fin Type</b>				
Tube Type	Louvered	Louvered	Louvered	Louvered
MicroChannel Depth in. [mm]	MicroChannel	MicroChannel	MicroChannel	MicroChannel
Face Area sq. ft. [sq. m]	0.71 [18]	0.71 [18]	0.71 [18]	0.71 [18]
Rows / FPI [FPcm]	7.1 [0.66]	7.12 [0.66]	9.9 [0.92]	9.86 [0.92]
	1 / 23 [9]	1 / 23 [9]	1 / 23 [9]	1 / 23 [9]
<b>Indoor Coil—Fin Type</b>				
Tube Type	Louvered	Louvered	Louvered	Louvered
MicroChannel Depth in. [mm]	MicroChannel	MicroChannel	MicroChannel	MicroChannel
Face Area sq. ft. [sq. m]	1 [25.4]	1 [25.4]	1 [25.4]	1 [25.4]
Rows / FPI [FPcm]	3.6 [0.33]	3.54 [0.33]	3.6 [0.33]	3.54 [0.33]
	1 / 17 [7]	1 / 20 [8]	1 / 17 [7]	1 / 20 [8]
Refrigerant Control	TX Valves	TX Valves	TX Valves	TX Valves
Drain Connection No./Size in. [mm]	1/0.75 [19.05]	1/0.75 [19.05]	1/0.75 [19.05]	1/0.75 [19.05]
<b>Outdoor Fan—Type</b>				
No. Used/Diameter in. [mm]	Propeller	Propeller	Propeller	Propeller
Drive Type/No. Speeds	1/22 [558.8]	1/22 [558.8]	1/22 [558.8]	1/22 [558.8]
CFM [L/s]	Direct/1	Direct/1	Direct/1	Direct/1
No. Motors/HP	2500 [1180]	2500 [1180]	2500 [1180]	2500 [1180]
Motor RPM	1 at 1/3 HP	1 at 1/3 HP	1 at 1/3 HP	1 at 1/3 HP
	1075	825	1075	825
<b>Indoor Fan—Type</b>				
No. Used/Diameter in. [mm]	FC Centrifugal	FC Centrifugal	FC Centrifugal	FC Centrifugal
Drive Type	1/10x9 [254x229]	1/10x9 [254x229]	1/10x9 [254x229]	1/10x9 [254x229]
No. Speeds	Direct	Direct	Direct	Direct
No. Motors	Multiple	Multiple	Multiple	Multiple
Motor HP	1	1	1	1
Motor RPM	1/3	1/3	1/3	1/3
Motor Frame Size	1075	1075	1050	1050
	48	48	48	48
<b>Filter—Type</b>				
Furnished	Field Supplied	Field Supplied	Field Supplied	Field Supplied
(NO.) Size Recommended in. [mm x mm x mm]	No	No	No	No
	(1)1x20x20 [25x508x508]	(1)1x20x20 [25x508x508]	(1)1x24x24 [25x610x610]	(1)1x24x24 [25x610x610]
<b>Refrigerant Charge Oz. [g]</b>				
	42.6 [1208]	49.6 [1406]	46.8 [1327]	46.4 [1315]
<b>Weights</b>				
Net Weight lbs. [kg]	403 [183]	403 [183]	403 [183]	403 [183]
Ship Weight lbs. [kg]	413 [187]	413 [187]	413 [187]	413 [187]

See Page 16 for Notes.

[ ] Designates Metric Conversions

## NOMINAL SIZES 2-5 TONS [7.0-17.6 kW]

Model RACA14	036BCT***AA	036BCT***AB	036BJT***AA	036BJT***AB
<b>Cooling Performance<sup>1</sup></b>				<b>CONTINUED</b> →
Gross Cooling Capacity Btu [kW]	35,000 [10.25]	35,000 [10.25]	35,000 [10.25]	35,000 [10.25]
EER/SEER <sup>2</sup>	11/14	11/14	11/14	11/14
Nominal CFM/AHRI Rated CFM [L/s]	1200/1200 [566/566]	1200/1200 [566/566]	1200/1200 [566/566]	1200/1200 [566/566]
AHRI Net Cooling Capacity Btu [kW]	33,600 [9.84]	33,600 [9.84]	33,600 [9.84]	33,600 [9.84]
Net Sensible Capacity Btu [kW]	25,200 [7.38]	25,200 [7.38]	25,200 [7.38]	25,200 [7.38]
Net Latent Capacity Btu [kW]	8,400 [2.46]	8,400 [2.46]	8,400 [2.46]	8,400 [2.46]
Net System Power kW	2.93	2.93	2.93	2.93
<b>Compressor</b>				
No./Type	1/Scroll	1/Scroll	1/Scroll	1/Scroll
<b>Outdoor Sound Rating (dB)<sup>3</sup></b>				
	76	76	76	76
<b>Outdoor Coil—Fin Type</b>				
Tube Type	Louvered	Louvered	Louvered	Louvered
MicroChannel Depth in. [mm]	MicroChannel	MicroChannel	MicroChannel	MicroChannel
Face Area sq. ft. [sq. m]	0.71 [18]	0.71 [18]	0.71 [18]	0.71 [18]
Rows / FPI [FPcm]	9.8 [0.91]	9.72 [0.9]	9.8 [0.91]	9.72 [0.9]
	1 / 23 [9]	1 / 23 [9]	1 / 23 [9]	1 / 23 [9]
<b>Indoor Coil—Fin Type</b>				
Tube Type	Louvered	Louvered	Louvered	Louvered
MicroChannel Depth in. [mm]	MicroChannel	MicroChannel	MicroChannel	MicroChannel
Face Area sq. ft. [sq. m]	1 [25.4]	1 [25.4]	1 [25.4]	1 [25.4]
Rows / FPI [FPcm]	3.6 [0.33]	3.54 [0.33]	3.6 [0.33]	3.54 [0.33]
	1 / 17 [7]	1 / 20 [8]	1 / 17 [7]	1 / 20 [8]
Refrigerant Control	TX Valves	TX Valves	TX Valves	TX Valves
Drain Connection No./Size in. [mm]	1/0.75 [19.05]	1/0.75 [19.05]	1/0.75 [19.05]	1/0.75 [19.05]
<b>Outdoor Fan—Type</b>				
No. Used/Diameter in. [mm]	Propeller	Propeller	Propeller	Propeller
Drive Type/No. Speeds	1/22 [558.8]	1/22 [558.8]	1/22 [558.8]	1/22 [558.8]
CFM [L/s]	Direct/1	Direct/1	Direct/1	Direct/1
No. Motors/HP	2700 [1274]	2700 [1274]	2700 [1274]	2700 [1274]
Motor RPM	1 at 1/3 HP	1 at 1/3 HP	1 at 1/3 HP	1 at 1/3 HP
	1075	825	1075	825
<b>Indoor Fan—Type</b>				
No. Used/Diameter in. [mm]	FC Centrifugal	FC Centrifugal	FC Centrifugal	FC Centrifugal
Drive Type	1/12x9 [305x229]	1/12x9 [305x229]	1/12x9 [305x229]	1/12x9 [305x229]
No. Speeds	Direct	Direct	Direct	Direct
No. Motors	Multiple	Multiple	Multiple	Multiple
Motor HP	1	1	1	1
Motor RPM	1/2	1/2	1/2	1/2
Motor Frame Size	1075	1075	1075	1075
	48	48	48	48
<b>Filter—Type</b>				
Furnished	Field Supplied	Field Supplied	Field Supplied	Field Supplied
(NO.) Size Recommended in. [mm x mm x mm]	No	No	No	No
	(1)1x24x24 [25x610x610]	(1)1x24x24 [25x610x610]	(1)1x24x24 [25x610x610]	(1)1x24x24 [25x610x610]
<b>Refrigerant Charge Oz. [g]</b>				
	52.7 [1494]	54.4 [1542]	52.7 [1494]	54.4 [1542]
<b>Weights</b>				
Net Weight lbs. [kg]	411 [186]	411 [186]	411 [186]	411 [186]
Ship Weight lbs. [kg]	421 [191]	421 [191]	421 [191]	421 [191]

See Page 16 for Notes.

[ ] Designates Metric Conversions

**NOMINAL SIZES 2-5 TONS [7.0-17.6 kW]**

Model RACA14	042ACT***AA	042ACT***AB	042AJT***AA	042AJT***AB
<b>Cooling Performance<sup>1</sup></b>				<b>CONTINUED →</b>
Gross Cooling Capacity Btu [kW]	40,000 [11.72]	40,000 [11.72]	40,000 [11.72]	40,000 [11.72]
EER/SEER <sup>2</sup>	11/14	11/14	11/14	11/14
Nominal CFM/AHRI Rated CFM [L/s]	1400/1300 [661/613]	1400/1300 [661/613]	1400/1300 [661/613]	1400/1300 [661/613]
AHRI Net Cooling Capacity Btu [kW]	39,000 [11.43]	39,000 [11.43]	39,000 [11.43]	39,000 [11.43]
Net Sensible Capacity Btu [kW]	29,250 [8.57]	29,250 [8.57]	29,250 [8.57]	29,250 [8.57]
Net Latent Capacity Btu [kW]	9,750 [2.86]	9,750 [2.86]	9,750 [2.86]	9,750 [2.86]
Net System Power kW	3.27	3.27	3.27	3.27
<b>Compressor</b>				
No./Type	1/Scroll	1/Scroll	1/Scroll	1/Scroll
<b>Outdoor Sound Rating (dB)<sup>3</sup></b>				
	76	76	76	76
<b>Outdoor Coil—Fin Type</b>				
Tube Type	Louvered	Louvered	Louvered	Louvered
MicroChannel Depth in. [mm]	MicroChannel	MicroChannel	MicroChannel	MicroChannel
Face Area sq. ft. [sq. m]	0.71 [18]	0.71 [18]	0.71 [18]	0.71 [18]
Rows / FPI [FPcm]	14.1 [1.31]	14.1 [1.31]	14.1 [1.31]	14.1 [1.31]
	1 / 23 [9]	1 / 23 [9]	1 / 23 [9]	1 / 23 [9]
<b>Indoor Coil—Fin Type</b>				
Tube Type	Louvered	Louvered	Louvered	Louvered
MicroChannel Depth in. [mm]	MicroChannel	MicroChannel	MicroChannel	MicroChannel
Face Area sq. ft. [sq. m]	1 [25.4]	1 [25.4]	1 [25.4]	1 [25.4]
Rows / FPI [FPcm]	3.6 [0.33]	3.54 [0.33]	3.6 [0.33]	3.54 [0.33]
	1 / 17 [7]	1 / 20 [8]	1 / 17 [7]	1 / 20 [8]
Refrigerant Control	TX Valves	TX Valves	TX Valves	TX Valves
Drain Connection No./Size in. [mm]	1/0.75 [19.05]	1/0.75 [19.05]	1/0.75 [19.05]	1/0.75 [19.05]
<b>Outdoor Fan—Type</b>				
No. Used/Diameter in. [mm]	Propeller	Propeller	Propeller	Propeller
Drive Type/No. Speeds	1/22 [558.8]	1/22 [558.8]	1/22 [558.8]	1/22 [558.8]
CFM [L/s]	Direct/1	Direct/1	Direct/1	Direct/1
No. Motors/HP	3500 [1652]	3500 [1652]	3500 [1652]	3500 [1652]
Motor RPM	1 at 1/3 HP	1 at 1/3 HP	1 at 1/3 HP	1 at 1/3 HP
	1075	825	1075	825
<b>Indoor Fan—Type</b>				
No. Used/Diameter in. [mm]	FC Centrifugal	FC Centrifugal	FC Centrifugal	FC Centrifugal
Drive Type	1/12x9 [305x229]	1/12x9 [305x229]	1/12x9 [305x229]	1/12x9 [305x229]
No. Speeds	Direct	Direct	Direct	Direct
No. Motors	Multiple	Multiple	Multiple	Multiple
Motor HP	1	1	1	1
Motor RPM	3/4	3/4	3/4	3/4
Motor Frame Size	1075	1075	1075	1075
	48	48	48	48
<b>Filter—Type</b>				
Furnished	Field Supplied	Field Supplied	Field Supplied	Field Supplied
(NO.) Size Recommended in. [mm x mm x mm]	No	No	No	No
	(1)1x24x24 [25x610x610]	(1)1x24x24 [25x610x610]	(1)1x24x24 [25x610x610]	(1)1x24x24 [25x610x610]
<b>Refrigerant Charge Oz. [g]</b>				
	53.6 [1520]	65.6 [1860]	53.6 [1520]	65.6 [1860]
<b>Weights</b>				
Net Weight lbs. [kg]	441 [200]	441 [200]	441 [200]	441 [200]
Ship Weight lbs. [kg]	451 [205]	451 [205]	451 [205]	451 [205]

See Page 16 for Notes.

[ ] Designates Metric Conversions



## NOMINAL SIZES 2-5 TONS [7.0-17.6 kW]

Model RACA14	048BCT***AA	048BJT***AA	060BCT***AA	060BJT***AA
<b>Cooling Performance<sup>1</sup></b>				<b>CONTINUED →</b>
Gross Cooling Capacity Btu [kW]	46,000 [13.48]	46,000 [13.48]	56,500 [16.55]	56,500 [16.55]
EER/SEER <sup>2</sup>	11/14	11/14	11/14	11/14
Nominal CFM/AHRI Rated CFM [L/s]	1600/1550 [755/731]	1600/1550 [755/731]	2000/1700 [944/802]	2000/1700 [944/802]
AHRI Net Cooling Capacity Btu [kW]	44,500 [13.04]	44,500 [13.04]	54,500 [15.97]	54,500 [15.97]
Net Sensible Capacity Btu [kW]	31,150 [9.13]	31,150 [9.13]	38,150 [11.18]	38,150 [11.18]
Net Latent Capacity Btu [kW]	13,350 [3.91]	13,350 [3.91]	16,350 [4.79]	16,350 [4.79]
Net System Power kW	4	4	4.94	4.94
<b>Compressor</b>				
No./Type	1/Scroll	1/Scroll	1/Scroll	1/Scroll
<b>Outdoor Sound Rating (dB)<sup>3</sup></b>				
	78	78	78	78
<b>Outdoor Coil—Fin Type</b>				
Tube Type	Louvered	Louvered	Louvered	Louvered
MicroChannel Depth in. [mm]	MicroChannel	MicroChannel	MicroChannel	MicroChannel
Face Area sq. ft. [sq. m]	0.71 [18]	0.7 [17.8]	1 [25.4]	1 [25.4]
Rows / FPI [FPcm]	16.3 [1.51]	16.3 [1.51]	15.3 [1.42]	15.3 [1.42]
	1 / 23 [9]	1 / 23 [9]	1 / 23 [9]	1 / 23 [9]
<b>Indoor Coil—Fin Type</b>				
Tube Type	Louvered	Louvered	Louvered	Louvered
MicroChannel Depth in. [mm]	MicroChannel	MicroChannel	MicroChannel	MicroChannel
Face Area sq. ft. [sq. m]	1.26 [32]	1.26 [32]	1.26 [32]	1.26 [32]
Rows / FPI [FPcm]	4.1 [0.38]	4.1 [0.38]	4 [0.37]	4 [0.37]
	1 / 20 [8]	1 / 20 [8]	1 / 20 [8]	1 / 20 [8]
Refrigerant Control	TX Valves	TX Valves	TX Valves	TX Valves
Drain Connection No./Size in. [mm]	1/0.75 [19.05]	1/0.75 [19.05]	1/0.75 [19.05]	1/0.75 [19.05]
<b>Outdoor Fan—Type</b>				
No. Used/Diameter in. [mm]	Propeller	Propeller	Propeller	Propeller
Drive Type/No. Speeds	1/22 [558.8]	1/22 [558.8]	1/22 [558.8]	1/22 [558.8]
CFM [L/s]	Direct/1	Direct/1	Direct/1	Direct/1
No. Motors/HP	3300 [1557]	3300 [1557]	3600 [1699]	3600 [1699]
Motor RPM	1 at 1/3 HP	1 at 1/3 HP	1 at 1/3 HP	1 at 1/3 HP
	1075	1075	1075	1075
<b>Indoor Fan—Type</b>				
No. Used/Diameter in. [mm]	FC Centrifugal	FC Centrifugal	FC Centrifugal	FC Centrifugal
Drive Type	1/12x9 [305x229]	1/12x9 [305x229]	1/12x9 [305x229]	1/12x9 [305x229]
No. Speeds	Direct	Direct	Direct	Direct
No. Motors	Multiple	Multiple	Multiple	Multiple
Motor HP	1	1	1	1
Motor RPM	3/4	3/4	1	1
Motor Frame Size	1075	1075	1075	1075
	48	48	48	48
<b>Filter—Type</b>				
Furnished	Field Supplied	Field Supplied	Field Supplied	Field Supplied
(NO.) Size Recommended in. [mm x mm x mm]	No	No	No	No
	(1)1x24x24 [25x610x610]	(1)1x24x24 [25x610x610]	(1)1x24x30 [25x610x762]	(1)1x24x30 [25x610x762]
<b>Refrigerant Charge Oz. [g]</b>				
	85.3 [2418]	85.3 [2418]	89.6 [2540]	89.6 [2540]
<b>Weights</b>				
Net Weight lbs. [kg]	492 [223]	492 [223]	515 [234]	515 [234]
Ship Weight lbs. [kg]	502 [228]	502 [228]	525 [238]	525 [238]

See Page 16 for Notes.

[ ] Designates Metric Conversions

## NOMINAL SIZES 2-5 TONS [7.0-17.6 kW]

Model RACA14	060CCT***AA	060CJT***AA
<b>Cooling Performance<sup>1</sup></b>		
Gross Cooling Capacity Btu [kW]	58,000 [16.99]	58,000 [16.99]
EER/SEER <sup>2</sup>	11/14	11/14
Nominal CFM/AHRI Rated CFM [L/s]	2000/1700 [944/802]	2000/1700 [944/802]
AHRI Net Cooling Capacity Btu [kW]	56,000 [16.41]	56,000 [16.41]
Net Sensible Capacity Btu [kW]	38,700 [11.34]	38,700 [11.34]
Net Latent Capacity Btu [kW]	17,300 [5.07]	17,300 [5.07]
Net System Power kW	5.14	5.14
<b>Compressor</b>		
No./Type	1/Scroll	1/Scroll
<b>Outdoor Sound Rating (dB)<sup>3</sup></b>		
	79	79
<b>Outdoor Coil—Fin Type</b>		
	Louvered	Louvered
Tube Type	MicroChannel	MicroChannel
MicroChannel Depth in. [mm]	1 [25.4]	1 [25.4]
Face Area sq. ft. [sq. m]	15.3 [1.42]	15.3 [1.42]
Rows / FPI [FPcm]	1 / 23 [9]	1 / 23 [9]
<b>Indoor Coil—Fin Type</b>		
	Louvered	Louvered
Tube Type	MicroChannel	MicroChannel
MicroChannel Depth in. [mm]	1.26 [32]	1.26 [32]
Face Area sq. ft. [sq. m]	4.1 [0.38]	4.1 [0.38]
Rows / FPI [FPcm]	1 / 20 [8]	1 / 20 [8]
Refrigerant Control	TX Valves	TX Valves
Drain Connection No./Size in. [mm]	1/0.75 [19.05]	1/0.75 [19.05]
<b>Outdoor Fan—Type</b>		
	Propeller	Propeller
No. Used/Diameter in. [mm]	1/22 [558.8]	1/22 [558.8]
Drive Type/No. Speeds	Direct/1	Direct/1
CFM [L/s]	3600 [1699]	3600 [1699]
No. Motors/HP	1 at 1/3 HP	1 at 1/3 HP
Motor RPM	1075	1075
<b>Indoor Fan—Type</b>		
	FC Centrifugal	FC Centrifugal
No. Used/Diameter in. [mm]	1/12x9 [305x229]	1/12x9 [305x229]
Drive Type	Direct	Direct
No. Speeds	Multiple	Multiple
No. Motors	1	1
Motor HP	1	1
Motor RPM	1075	1075
Motor Frame Size	48	48
<b>Filter—Type</b>		
	Field Supplied	Field Supplied
Furnished	No	No
(NO.) Size Recommended in. [mm x mm x mm]	(1)1x24x30 [25x610x762]	(1)1x24x30 [25x610x762]
<b>Refrigerant Charge Oz. [g]</b>		
	78 [2211]	78 [2211]
<b>Weights</b>		
Net Weight lbs. [kg]	512 [232]	512 [232]
Ship Weight lbs. [kg]	522 [237]	522 [237]

See Page 16 for Notes.

[ ] Designates Metric Conversions

## NOMINAL SIZES 2-5 TONS [7.0-17.6 kW]

Model RACA15	024AJT***AA	024BJT***AA	030AJT***AA	036ACT***AA
<b>Cooling Performance<sup>1</sup></b>				<b>CONTINUED</b> →
Gross Cooling Capacity Btu [kW]	24,600 [7.21]	24,400 [7.15]	29,200 [8.56]	36,000 [10.55]
EER/SEER <sup>2</sup>	12/15	12/15	12/15	12/15
Nominal CFM/AHRI Rated CFM [L/s]	800/900 [378/425]	800/900 [378/425]	1000/975 [472/460]	1200/1200 [566/566]
AHRI Net Cooling Capacity Btu [kW]	24,000 [7.03]	24,000 [7.03]	28,600 [8.38]	35,000 [10.25]
Net Sensible Capacity Btu [kW]	18,100 [5.3]	18,100 [5.3]	21,450 [6.28]	25,400 [7.44]
Net Latent Capacity Btu [kW]	5,900 [1.73]	5,900 [1.73]	7,150 [2.09]	9,600 [2.81]
Net System Power kW	2.03	1.93	2.21	2.77
<b>Compressor</b>				
No./Type	1/Scroll	1/Scroll	1/Scroll	1/Scroll
<b>Outdoor Sound Rating (dB)<sup>3</sup></b>				
	76	76	76	76
<b>Outdoor Coil—Fin Type</b>				
Tube Type	Louvered	Louvered	Louvered	Louvered
MicroChannel Depth in. [mm]	MicroChannel	MicroChannel	MicroChannel	MicroChannel
Face Area sq. ft. [sq. m]	0.71 [18]	0.71 [18]	0.71 [18]	0.71 [18]
Rows / FPI [FPcm]	7.1 [0.66]	9.9 [0.92]	9.9 [0.92]	9.8 [0.91]
	1 / 23 [9]	1 / 23 [9]	1 / 23 [9]	1 / 23 [9]
<b>Indoor Coil—Fin Type</b>				
Tube Type	Louvered	Louvered	Louvered	Louvered
MicroChannel Depth in. [mm]	MicroChannel	MicroChannel	MicroChannel	MicroChannel
Face Area sq. ft. [sq. m]	1 [25.4]	1 [25.4]	1 [25.4]	1 [25.4]
Rows / FPI [FPcm]	3.6 [0.33]	3.6 [0.33]	3.6 [0.33]	3.6 [0.33]
	1 / 17 [7]	1 / 17 [7]	1 / 17 [7]	1 / 17 [7]
Refrigerant Control	TX Valves	TX Valves	TX Valves	TX Valves
Drain Connection No./Size in. [mm]	1/0.75 [19.05]	1/0.75 [19.05]	1/0.75 [19.05]	1/0.75 [19.05]
<b>Outdoor Fan—Type</b>				
No. Used/Diameter in. [mm]	Propeller	Propeller	Propeller	Propeller
Drive Type/No. Speeds	1/22 [558.8]	1/22 [558.8]	1/22 [558.8]	1/22 [558.8]
CFM [L/s]	Direct/1	Direct/1	Direct/1	Direct/1
No. Motors/HP	2500 [1180]	2500 [1180]	2500 [1180]	2700 [1274]
Motor RPM	1 at 1/3 HP	1 at 1/3 HP	1 at 1/3 HP	1 at 1/3 HP
	1075	1075	1075	1075
<b>Indoor Fan—Type</b>				
No. Used/Diameter in. [mm]	FC Centrifugal	FC Centrifugal	FC Centrifugal	FC Centrifugal
Drive Type	1/10x9 [254x229]	1/10x9 [254x229]	1/10x9 [254x229]	1/12x9 [305x229]
No. Speeds	Direct	Direct	Direct	Direct
No. Motors	Multiple	Multiple	Multiple	Multiple
Motor HP	1	1	1	1
Motor RPM	1/3	1/3	1/3	1/2
Motor Frame Size	1075	1075	1050	1075
	48	48	48	48
<b>Filter—Type</b>				
Furnished	Field Supplied	Field Supplied	Field Supplied	Field Supplied
(NO.) Size Recommended in. [mm x mm x mm]	No	No	No	No
	(1)1x20x20 [25x508x508]	(1)1x20x20 [25x508x508]	(1)1x24x24 [25x610x610]	(1)1x24x24 [25x610x610]
<b>Refrigerant Charge Oz. [g]</b>				
	42.6 [1208]	47 [1332]	46.8 [1327]	52.7 [1494]
<b>Weights</b>				
Net Weight lbs. [kg]	403 [183]	403 [183]	403 [183]	411 [186]
Ship Weight lbs. [kg]	413 [187]	413 [187]	413 [187]	421 [191]

See Page 16 for Notes.

[ ] Designates Metric Conversions

## NOMINAL SIZES 2-5 TONS [7.0-17.6 kW]

Model RACA15	036AJT***AA	036BCT***AA	036BJT***AA	042ACT***AA
<b>Cooling Performance<sup>1</sup></b>				<b>CONTINUED →</b>
Gross Cooling Capacity Btu [kW]	36,000 [10.55]	36,000 [10.55]	36,000 [10.55]	41,000 [12.01]
EER/SEER <sup>2</sup>	12/15	12/15	12/15	12/15
Nominal CFM/AHRI Rated CFM [L/s]	1200/1200 [566/566]	1200/1115 [566/526]	1200/1115 [566/526]	1400/1300 [661/613]
AHRI Net Cooling Capacity Btu [kW]	35,000 [10.25]	35,200 [10.31]	35,200 [10.31]	40,000 [11.72]
Net Sensible Capacity Btu [kW]	25,400 [7.44]	23,960 [7.02]	23,960 [7.02]	28,600 [8.38]
Net Latent Capacity Btu [kW]	9,600 [2.81]	11,240 [3.29]	11,240 [3.29]	11,400 [3.34]
Net System Power kW	2.77	2.83	2.83	3.28
<b>Compressor</b>				
No./Type	1/Scroll	1/Scroll	1/Scroll	1/Scroll
<b>Outdoor Sound Rating (dB)<sup>3</sup></b>				
	76	76	76	76
<b>Outdoor Coil—Fin Type</b>				
Tube Type	Louvered	Louvered	Louvered	Louvered
MicroChannel Depth in. [mm]	MicroChannel	MicroChannel	MicroChannel	MicroChannel
Face Area sq. ft. [sq. m]	0.71 [18]	0.71 [18]	0.71 [18]	0.71 [18]
Rows / FPI [FPcm]	9.8 [0.91]	16.3 [1.51]	16.3 [1.51]	14.1 [1.31]
	1 / 23 [9]	1 / 23 [9]	1 / 23 [9]	1 / 23 [9]
<b>Indoor Coil—Fin Type</b>				
Tube Type	Louvered	Louvered	Louvered	Louvered
MicroChannel Depth in. [mm]	MicroChannel	MicroChannel	MicroChannel	MicroChannel
Face Area sq. ft. [sq. m]	1 [25.4]	1 [25.4]	1 [25.4]	1 [25.4]
Rows / FPI [FPcm]	3.6 [0.33]	4.1 [0.38]	4.1 [0.38]	3.6 [0.33]
	1 / 17 [7]	1 / 20 [8]	1 / 20 [8]	1 / 17 [7]
Refrigerant Control	TX Valves	TX Valves	TX Valves	TX Valves
Drain Connection No./Size in. [mm]	1/0.75 [19.05]	1/0.75 [19.05]	1/0.75 [19.05]	1/0.75 [19.05]
<b>Outdoor Fan—Type</b>				
No. Used/Diameter in. [mm]	Propeller	Propeller	Propeller	Propeller
Drive Type/No. Speeds	1/22 [558.8]	1/22 [558.8]	1/22 [558.8]	1/22 [558.8]
CFM [L/s]	Direct/1	Direct/1	Direct/1	Direct/1
No. Motors/HP	2700 [1274]	2700 [1274]	2700 [1274]	3500 [1652]
Motor RPM	1 at 1/3 HP	1 at 1/3 HP	1 at 1/3 HP	1 at 1/3 HP
	1075	1075	1075	1075
<b>Indoor Fan—Type</b>				
No. Used/Diameter in. [mm]	FC Centrifugal	FC Centrifugal	FC Centrifugal	FC Centrifugal
Drive Type	1/12x9 [305x229]	1/12x9 [305x229]	1/12x9 [305x229]	1/12x9 [305x229]
No. Speeds	Direct	Direct	Direct	Direct
No. Motors	Multiple	Multiple	Multiple	Multiple
Motor HP	1	1	1	1
Motor RPM	1/2	1/2	1/2	3/4
Motor Frame Size	1075	1075	1075	1075
	48	48	48	48
<b>Filter—Type</b>				
Furnished	Field Supplied	Field Supplied	Field Supplied	Field Supplied
(NO.) Size Recommended in. [mm x mm x mm]	No	No	No	No
	(1)1x24x24 [25x610x610]	(1)1x24x24 [25x610x610]	(1)1x24x24 [25x610x610]	(1)1x24x24 [25x610x610]
<b>Refrigerant Charge Oz. [g]</b>				
	52.7 [1494]	63 [1786]	63 [1786]	61.3 [1738]
<b>Weights</b>				
Net Weight lbs. [kg]	411 [186]	448 [203]	448 [203]	445 [202]
Ship Weight lbs. [kg]	421 [191]	458 [208]	458 [208]	455 [206]

See Page 16 for Notes.

[ ] Designates Metric Conversions

## NOMINAL SIZES 2-5 TONS [7.0-17.6 kW]

Model RACA15	042AJT***AA	042BCT***AA	042BJT***AA	048ACT***AA
<b>Cooling Performance<sup>1</sup></b>				<b>CONTINUED</b> →
Gross Cooling Capacity Btu [kW]	41,000 [12.01]	41,500 [12.16]	41,500 [12.16]	46,500 [13.62]
EER/SEER <sup>2</sup>	12/15	12/15	12/15	12/14.7
Nominal CFM/AHRI Rated CFM [L/s]	1400/1300 [661/613]	1400/1200 [661/566]	1400/1200 [661/566]	1600/1550 [755/731]
AHRI Net Cooling Capacity Btu [kW]	40,000 [11.72]	40,500 [11.87]	40,500 [11.87]	45,000 [13.18]
Net Sensible Capacity Btu [kW]	28,600 [8.38]	29,000 [8.5]	29,000 [8.5]	31,500 [9.23]
Net Latent Capacity Btu [kW]	11,400 [3.34]	11,500 [3.37]	11,500 [3.37]	13,500 [3.96]
Net System Power kW	3.28	3.28	3.28	3.66
<b>Compressor</b>				
No./Type	1/Scroll	1/Scroll	1/Scroll	1/Scroll
<b>Outdoor Sound Rating (dB)<sup>3</sup></b>				
	76	76	76	78
<b>Outdoor Coil—Fin Type</b>				
Tube Type	Louvered	Louvered	Louvered	Louvered
MicroChannel Depth in. [mm]	MicroChannel	MicroChannel	MicroChannel	MicroChannel
Face Area sq. ft. [sq. m]	0.71 [18]	0.71 [18]	0.71 [18]	0.71 [18]
Rows / FPI [FPcm]	14.1 [1.31]	16.3 [1.51]	16.3 [1.51]	16.3 [1.51]
	1 / 23 [9]	1 / 23 [9]	1 / 23 [9]	1 / 23 [9]
<b>Indoor Coil—Fin Type</b>				
Tube Type	Louvered	Louvered	Louvered	Louvered
MicroChannel Depth in. [mm]	MicroChannel	MicroChannel	MicroChannel	MicroChannel
Face Area sq. ft. [sq. m]	1 [25.4]	1.25 [31.8]	1.25 [31.8]	1.26 [32]
Rows / FPI [FPcm]	3.6 [0.33]	4.1 [0.38]	4.1 [0.38]	4.1 [0.38]
	1 / 17 [7]	1 / 20 [8]	1 / 20 [8]	1 / 20 [8]
Refrigerant Control	TX Valves	TX Valves	TX Valves	TX Valves
Drain Connection No./Size in. [mm]	1/0.75 [19.05]	1/0.75 [19.05]	1/0.75 [19.05]	1/0.75 [19.05]
<b>Outdoor Fan—Type</b>				
No. Used/Diameter in. [mm]	Propeller	Propeller	Propeller	Propeller
Drive Type/No. Speeds	1/22 [558.8]	1/22 [558.8]	1/22 [558.8]	1/22 [558.8]
CFM [L/s]	Direct/1	Direct/1	Direct/1	Direct/1
No. Motors/HP	3500 [1652]	3300 [1557]	3300 [1557]	3300 [1557]
Motor RPM	1 at 1/3 HP	1 at 1/3 HP	1 at 1/3 HP	1 at 1/3 HP
	1075	1075	1075	1075
<b>Indoor Fan—Type</b>				
No. Used/Diameter in. [mm]	FC Centrifugal	FC Centrifugal	FC Centrifugal	FC Centrifugal
Drive Type	1/12x9 [305x229]	1/12x9 [305x229]	1/12x9 [305x229]	1/12x9 [305x229]
No. Speeds	Direct	Direct	Direct	Direct
No. Motors	Multiple	Multiple	Multiple	Multiple
Motor HP	1	1	1	1
Motor RPM	3/4	3/4	3/4	3/4
Motor Frame Size	1075	1075	1075	1075
	48	48	48	48
<b>Filter—Type</b>				
Furnished	Field Supplied	Field Supplied	Field Supplied	Field Supplied
(NO.) Size Recommended in. [mm x mm x mm]	No	No	No	No
	(1)1x24x24 [25x610x610]	(1)1x24x24 [25x610x610]	(1)1x24x24 [25x610x610]	(1)1x24x24 [25x610x610]
<b>Refrigerant Charge Oz. [g]</b>				
	61.3 [1738]	68 [1928]	68 [1928]	85.3 [2418]
<b>Weights</b>				
Net Weight lbs. [kg]	445 [202]	482 [219]	482 [219]	492 [223]
Ship Weight lbs. [kg]	455 [206]	492 [223]	492 [223]	502 [228]

See Page 16 for Notes.

[ ] Designates Metric Conversions

**NOMINAL SIZES 2-5 TONS [7.0-17.6 kW]**

Model RACA15	048AJT***AA	048BCT***AA	048BJT***AA	060ACT***AA
<b>Cooling Performance<sup>1</sup></b>				<b>CONTINUED</b> →
Gross Cooling Capacity Btu [kW]	46,500 [13.62]	48,500 [14.21]	48,500 [14.21]	58,000 [16.99]
EER/SEER <sup>2</sup>	12/14.7	12/15	12/15	11/14.5
Nominal CFM/AHRI Rated CFM [L/s]	1600/1550 [755/731]	1600/1450 [755/684]	1600/1450 [755/684]	2000/1850 [944/873]
AHRI Net Cooling Capacity Btu [kW]	45,000 [13.18]	47,000 [13.77]	47,000 [13.77]	55,500 [16.26]
Net Sensible Capacity Btu [kW]	31,500 [9.23]	32,750 [9.6]	32,750 [9.6]	38,850 [11.38]
Net Latent Capacity Btu [kW]	13,500 [3.96]	14,250 [4.18]	14,250 [4.18]	16,650 [4.88]
Net System Power kW	3.66	4	4	5.02
<b>Compressor</b>				
No./Type	1/Scroll	1/Scroll	1/Scroll	1/Scroll
<b>Outdoor Sound Rating (dB)<sup>3</sup></b>				
	78	78	78	78
<b>Outdoor Coil—Fin Type</b>				
Tube Type	Louvered	Louvered	Louvered	Louvered
MicroChannel Depth in. [mm]	MicroChannel	MicroChannel	MicroChannel	MicroChannel
Face Area sq. ft. [sq. m]	0.7 [17.8]	1 [25.4]	1 [25.4]	1 [25.4]
Rows / FPI [FPcm]	16.3 [1.51]	15.25 [1.42]	15.25 [1.42]	15.3 [1.42]
	1 / 23 [9]	1 / 23 [9]	1 / 23 [9]	1 / 23 [9]
<b>Indoor Coil—Fin Type</b>				
Tube Type	Louvered	Louvered	Louvered	Louvered
MicroChannel Depth in. [mm]	MicroChannel	MicroChannel	MicroChannel	MicroChannel
Face Area sq. ft. [sq. m]	1.26 [32]	1.26 [32]	1.26 [32]	1.26 [32]
Rows / FPI [FPcm]	4.1 [0.38]	3.97 [0.37]	3.97 [0.37]	4 [0.37]
	1 / 20 [8]	1 / 20 [8]	1 / 20 [8]	1 / 20 [8]
Refrigerant Control	TX Valves	TX Valves	TX Valves	TX Valves
Drain Connection No./Size in. [mm]	1/0.75 [19.05]	1/0.75 [19.05]	1/0.75 [19.05]	1/0.75 [19.05]
<b>Outdoor Fan—Type</b>				
No. Used/Diameter in. [mm]	Propeller	Propeller	Propeller	Propeller
Drive Type/No. Speeds	1/22 [558.8]	1/22 [558.8]	1/22 [558.8]	1/22 [558.8]
CFM [L/s]	Direct/1	Direct/1	Direct/1	Direct/1
No. Motors/HP	3300 [1557]	3300 [1557]	3300 [1557]	3300 [1557]
Motor RPM	1 at 1/3 HP	1 at 1/3 HP	1 at 1/3 HP	1 at 1/3 HP
	1075	1050	1050	1075
<b>Indoor Fan—Type</b>				
No. Used/Diameter in. [mm]	FC Centrifugal	FC Centrifugal	FC Centrifugal	FC Centrifugal
Drive Type	1/12x9 [305x229]	1/12x9 [305x229]	1/12x9 [305x229]	1/12x9 [305x229]
No. Speeds	Direct	Direct	Direct	Direct
No. Motors	Multiple	Multiple	Multiple	Multiple
Motor HP	1	1	1	1
Motor RPM	3/4	3/4	3/4	1
Motor Frame Size	1075	1075	1075	1075
	48	48	48	48
<b>Filter—Type</b>				
Furnished	Field Supplied	Field Supplied	Field Supplied	Field Supplied
(NO.) Size Recommended in. [mm x mm x mm]	No	No	No	No
	(1)1x24x24 [25x610x610]	(1)1x24x24 [25x610x610]	(1)1x24x24 [25x610x610]	(1)1x24x30 [25x610x762]
<b>Refrigerant Charge Oz. [g]</b>				
	85.3 [2418]	81.6 [2313]	81.6 [2313]	89.6 [2540]
<b>Weights</b>				
Net Weight lbs. [kg]	492 [223]	492 [223]	492 [223]	515 [234]
Ship Weight lbs. [kg]	502 [228]	502 [228]	502 [228]	525 [238]

See Page 16 for Notes.

[ ] Designates Metric Conversions

## NOMINAL SIZES 2-5 TONS [7.0-17.6 kW]

Model RACA15	060AJT***AA
<b>Cooling Performance<sup>1</sup></b>	
Gross Cooling Capacity Btu [kW]	58,000 [16.99]
EER/SEER <sup>2</sup>	11/14.5
Nominal CFM/AHRI Rated CFM [L/s]	2000/1850 [944/873]
AHRI Net Cooling Capacity Btu [kW]	55,500 [16.26]
Net Sensible Capacity Btu [kW]	38,850 [11.38]
Net Latent Capacity Btu [kW]	16,650 [4.88]
Net System Power kW	5.02
<b>Compressor</b>	
No./Type	1/Scroll
<b>Outdoor Sound Rating (dB)<sup>3</sup></b>	
	78
<b>Outdoor Coil—Fin Type</b>	
Tube Type	Louvered
MicroChannel Depth in. [mm]	MicroChannel
Face Area sq. ft. [sq. m]	1 [25.4]
Rows / FPI [FPcm]	15.3 [1.42]
	1 / 23 [9]
<b>Indoor Coil—Fin Type</b>	
Tube Type	Louvered
MicroChannel Depth in. [mm]	MicroChannel
Face Area sq. ft. [sq. m]	1.26 [32]
Rows / FPI [FPcm]	4 [0.37]
Refrigerant Control	1 / 20 [8]
Drain Connection No./Size in. [mm]	TX Valves
	1/0.75 [19.05]
<b>Outdoor Fan—Type</b>	
No. Used/Diameter in. [mm]	Propeller
Drive Type/No. Speeds	1/22 [558.8]
CFM [L/s]	Direct/1
No. Motors/HP	3300 [1557]
Motor RPM	1 at 1/3 HP
	1075
<b>Indoor Fan—Type</b>	
No. Used/Diameter in. [mm]	FC Centrifugal
Drive Type	1/12x9 [305x229]
No. Speeds	Direct
No. Motors	Multiple
Motor HP	1
Motor RPM	1
Motor Frame Size	1075
	48
<b>Filter—Type</b>	
Furnished	Field Supplied
(NO.) Size Recommended in. [mm x mm x mm]	No
	(1)1x24x30 [25x610x762]
<b>Refrigerant Charge Oz. [g]</b>	
	89.6 [2540]
<b>Weights</b>	
Net Weight lbs. [kg]	515 [234]
Ship Weight lbs. [kg]	525 [238]

See Page 16 for Notes.

[ ] Designates Metric Conversions

**NOTES:**

1. Cooling Performance is rated at 95° F ambient, 80° F entering dry bulb, 67° F entering wet bulb. Gross capacity does not include the effect of fan motor heat. AHRI capacity is net and includes the effect of fan motor heat. Units are suitable for operation in CFM range shown in airflow tables. Units are certified in accordance with the Unitary Air Conditioner Equipment certification program, which is based on AHRI Standard 210/240.
2. EER and/or SEER are rated at AHRI conditions and in accordance with DOE test procedures.
3. Outdoor Sound Rating shown is tested in accordance with AHRI Standard 270.



**GROSS SYSTEMS PERFORMANCE DATA – RACA14024A**

ENTERING INDOOR AIR @ 80°F [26.7°C] dbE ①											
wbE		71°F [21.7°C]			67°F [19.4°C]			63°F [17.2°C]			
CFM [L/s]		990 [467]	900 [425]	760 [359]	990 [467]	900 [425]	760 [359]	990 [467]	900 [425]	760 [359]	
DR ①		0.21	0.19	0.15	0.21	0.19	0.15	0.21	0.19	0.15	
OUTDOOR DRY BULB TEMPERATURE °F [°C]	75 [23.9]	Total BTUH [kW] Sens BTUH [kW] Power	30.9 [9.1] 18.7 [5.5] 1.4	30.4 [8.9] 17.9 [5.2] 1.4	29.5 [8.7] 16.6 [4.9] 1.4	29.1 [8.5] 21.9 [6.4] 1.4	28.6 [8.4] 20.9 [6.1] 1.4	27.8 [8.1] 19.4 [5.7] 1.4	27.5 [8.1] 24.6 [7.2] 1.4	27.0 [7.9] 23.5 [6.9] 1.4	26.2 [7.7] 21.8 [6.4] 1.4
	80 [26.7]	Total BTUH [kW] Sens BTUH [kW] Power	30.0 [8.8] 18.2 [5.3] 1.5	29.4 [8.6] 17.4 [5.1] 1.5	28.6 [8.4] 16.1 [4.7] 1.5	28.1 [8.2] 21.4 [6.3] 1.5	27.6 [8.1] 20.4 [6.0] 1.5	26.8 [7.9] 18.9 [5.5] 1.5	26.5 [7.8] 24.0 [7.0] 1.5	26.0 [7.6] 23.0 [6.7] 1.5	25.3 [7.4] 21.3 [6.2] 1.5
	85 [29.4]	Total BTUH [kW] Sens BTUH [kW] Power	29.0 [8.5] 17.6 [5.2] 1.6	28.5 [8.3] 16.8 [4.9] 1.6	27.7 [8.1] 15.6 [4.6] 1.6	27.1 [8.0] 20.8 [6.1] 1.6	26.7 [7.8] 19.9 [5.8] 1.6	25.9 [7.6] 18.4 [5.4] 1.6	25.5 [7.5] 23.5 [6.9] 1.6	25.1 [7.3] 22.4 [6.6] 1.6	24.4 [7.1] 20.8 [6.1] 1.6
	90 [32.2]	Total BTUH [kW] Sens BTUH [kW] Power	28.0 [8.2] 17.0 [5.0] 1.7	27.5 [8.1] 16.3 [4.8] 1.7	26.7 [7.8] 15.1 [4.4] 1.7	26.1 [7.7] 20.2 [5.9] 1.7	25.7 [7.5] 19.3 [5.7] 1.7	25.0 [7.3] 17.9 [5.3] 1.7	24.5 [7.2] 22.9 [6.7] 1.7	24.1 [7.1] 21.9 [6.4] 1.7	23.4 [6.9] 20.3 [5.9] 1.7
	95 [35]	Total BTUH [kW] Sens BTUH [kW] Power	27.0 [7.9] 16.5 [4.8] 1.9	26.5 [7.8] 15.7 [4.6] 1.8	25.7 [7.5] 14.6 [4.3] 1.8	25.1 [7.4] 19.7 [5.8] 1.8	24.7 [7.2] 18.8 [5.5] 1.8	24.0 [7.0] 17.4 [5.1] 1.8	23.5 [6.9] 22.3 [6.5] 1.8	23.1 [6.8] 21.3 [6.2] 1.8	22.4 [6.6] 19.8 [5.8] 1.8
	100 [37.8]	Total BTUH [kW] Sens BTUH [kW] Power	25.9 [7.6] 15.9 [4.6] 2.0	25.5 [7.5] 15.2 [4.4] 2.0	24.8 [7.3] 14.1 [4.1] 1.9	24.1 [7.1] 19.1 [5.6] 2.0	23.7 [6.9] 18.2 [5.3] 2.0	23.0 [6.7] 16.9 [5.0] 1.9	22.5 [6.6] 21.7 [6.4] 2.0	22.1 [6.5] 20.8 [6.1] 1.9	21.5 [6.3] 19.2 [5.6] 1.9
	105 [40.6]	Total BTUH [kW] Sens BTUH [kW] Power	24.9 [7.3] 15.3 [4.5] 2.1	24.5 [7.2] 14.6 [4.3] 2.1	23.8 [7.0] 13.5 [4.0] 2.1	23.1 [6.8] 18.5 [5.4] 2.1	22.6 [6.6] 17.7 [5.2] 2.1	22.0 [6.4] 16.4 [4.8] 2.1	21.4 [6.3] 21.1 [6.2] 2.1	21.1 [6.2] 20.2 [5.9] 2.1	20.5 [6.0] 18.7 [5.5] 2.0
	110 [43.3]	Total BTUH [kW] Sens BTUH [kW] Power	23.8 [7.0] 14.7 [4.3] 2.3	23.4 [6.9] 14.0 [4.1] 2.2	22.7 [6.7] 13.0 [3.8] 2.2	22.0 [6.4] 17.9 [5.2] 2.2	21.6 [6.3] 17.1 [5.0] 2.2	21.0 [6.1] 15.8 [4.6] 2.2	20.4 [6.0] 20.4 [6.0] 2.2	20.0 [5.9] 19.6 [5.7] 2.2	19.4 [5.7] 18.2 [5.3] 2.2
	115 [46.1]	Total BTUH [kW] Sens BTUH [kW] Power	22.8 [6.7] 14.1 [4.1] 2.4	22.3 [6.5] 13.4 [3.9] 2.4	21.7 [6.4] 12.5 [3.6] 2.3	20.9 [6.1] 17.3 [5.1] 2.4	20.5 [6.0] 16.5 [4.8] 2.4	19.9 [5.8] 15.3 [4.5] 2.3	19.3 [5.7] 19.3 [5.7] 2.4	18.9 [5.6] 18.9 [5.6] 2.4	18.4 [5.4] 17.6 [5.2] 2.3
	120 [48.9]	Total BTUH [kW] Sens BTUH [kW] Power	21.7 [6.3] 13.4 [3.9] 2.6	21.3 [6.2] 12.8 [3.8] 2.5	20.7 [6.1] 11.9 [3.5] 2.5	19.8 [5.8] 16.6 [4.9] 2.5	19.5 [5.7] 15.9 [4.7] 2.5	18.9 [5.5] 14.7 [4.3] 2.5	18.2 [5.3] 18.2 [5.3] 2.5	17.9 [5.2] 17.9 [5.2] 2.5	17.4 [5.1] 17.1 [5.0] 2.5
125 [51.7]	Total BTUH [kW] Sens BTUH [kW] Power	20.5 [6.0] 12.8 [3.8] 2.7	20.2 [5.9] 12.2 [3.6] 2.7	19.6 [5.7] 11.3 [3.3] 2.7	18.7 [5.5] 16.0 [4.7] 2.7	18.4 [5.4] 15.3 [4.5] 2.7	17.8 [5.2] 14.2 [4.2] 2.7	17.1 [5.0] 17.1 [5.0] 2.7	16.8 [4.9] 16.8 [4.9] 2.7	16.3 [4.8] 16.3 [4.8] 2.6	

DR —Depression ratio  
dbE —Entering air dry bulb  
wbE —Entering air wet bulb

Total —Total capacity x 1000 BTUH  
Sens —Sensible capacity x 1000 BTUH  
Power —KW input

NOTES: ① When the entering air dry bulb is other than 80°F [27°C], adjust the sensible capacity from the table by adding [1.10 x CFM x (1 - DR) x (dbE - 80)].

[ ] Designates Metric Conversions

## GROSS SYSTEMS PERFORMANCE DATA—RACA14030A

ENTERING INDOOR AIR @ 80°F [26.7°C] dbE ①											
wbE		71°F [21.7°C]			67°F [19.4°C]			63°F [17.2°C]			
CFM [L/s]		1100 [519]	1000 [472]	850 [401]	1100 [519]	1000 [472]	850 [401]	1100 [519]	1000 [472]	850 [401]	
DR ①		0.16	0.15	0.11	0.16	0.15	0.11	0.16	0.15	0.11	
OUTDOOR DRY BULB TEMPERATURE °F [°C]	75 [23.9]	Total BTUH [kW] Sens BTUH [kW] Power	37.0 [10.9] 21.6 [6.3] 1.7	36.4 [10.7] 20.6 [6.0] 1.6	35.4 [10.4] 19.2 [5.6] 1.6	35.0 [10.3] 25.6 [7.5] 1.7	34.4 [10.1] 24.4 [7.2] 1.6	33.4 [9.8] 22.7 [6.7] 1.6	33.2 [9.7] 28.8 [8.4] 1.6	32.6 [9.6] 27.5 [8.1] 1.6	31.7 [9.3] 25.6 [7.5] 1.6
	80 [26.7]	Total BTUH [kW] Sens BTUH [kW] Power	36.0 [10.5] 21.1 [6.2] 1.7	35.4 [10.4] 20.1 [5.9] 1.7	34.4 [10.1] 18.7 [5.5] 1.7	33.9 [9.9] 25.1 [7.4] 1.7	33.3 [9.8] 24.0 [7.0] 1.7	32.4 [9.5] 22.3 [6.5] 1.7	32.2 [9.4] 28.3 [8.3] 1.7	31.6 [9.3] 27.0 [7.9] 1.7	30.7 [9.0] 25.1 [7.4] 1.7
	85 [29.4]	Total BTUH [kW] Sens BTUH [kW] Power	34.9 [10.2] 20.6 [6.0] 1.8	34.3 [10.1] 19.7 [5.8] 1.8	33.4 [9.8] 18.3 [5.4] 1.8	32.9 [9.6] 24.6 [7.2] 1.8	32.3 [9.5] 23.5 [6.9] 1.8	31.4 [9.2] 21.8 [6.4] 1.8	31.1 [9.1] 27.8 [8.1] 1.8	30.6 [9.0] 26.5 [7.8] 1.8	29.7 [8.7] 24.7 [7.2] 1.8
	90 [32.2]	Total BTUH [kW] Sens BTUH [kW] Power	33.9 [9.9] 20.1 [5.9] 1.9	33.3 [9.7] 19.2 [5.6] 1.9	32.3 [9.5] 17.8 [5.2] 1.9	31.8 [9.3] 24.1 [7.1] 1.9	31.2 [9.2] 23.0 [6.7] 1.9	30.4 [8.9] 21.4 [6.3] 1.9	30.0 [8.8] 27.3 [8.0] 1.9	29.5 [8.6] 26.0 [7.6] 1.9	28.7 [8.4] 24.2 [7.1] 1.9
	95 [35]	Total BTUH [kW] Sens BTUH [kW] Power	32.8 [9.6] 19.5 [5.7] 2.1	32.2 [9.4] 18.6 [5.5] 2.0	31.3 [9.2] 17.3 [5.1] 2.0	30.7 [9.0] 23.5 [6.9] 2.0	30.2 [8.8] 22.5 [6.6] 2.0	29.3 [8.6] 20.9 [6.1] 2.0	28.9 [8.5] 26.7 [7.8] 2.0	28.4 [8.3] 25.5 [7.5] 2.0	27.6 [8.1] 23.7 [7.0] 2.0
	100 [37.8]	Total BTUH [kW] Sens BTUH [kW] Power	31.6 [9.3] 18.9 [5.5] 2.2	31.1 [9.1] 18.1 [5.3] 2.2	30.2 [8.9] 16.8 [4.9] 2.1	29.6 [8.7] 22.9 [6.7] 2.2	29.1 [8.5] 21.9 [6.4] 2.1	28.3 [8.3] 20.4 [6.0] 2.1	27.8 [8.2] 26.1 [7.7] 2.2	27.3 [8.0] 25.0 [7.3] 2.1	26.6 [7.8] 23.2 [6.8] 2.1
	105 [40.6]	Total BTUH [kW] Sens BTUH [kW] Power	30.5 [8.9] 18.3 [5.4] 2.3	30.0 [8.8] 17.5 [5.1] 2.3	29.2 [8.5] 16.3 [4.8] 2.3	28.5 [8.3] 22.3 [6.5] 2.3	28.0 [8.2] 21.3 [6.2] 2.3	27.2 [8.0] 19.8 [5.8] 2.2	26.7 [7.8] 25.5 [7.5] 2.3	26.2 [7.7] 24.4 [7.1] 2.3	25.5 [7.5] 22.7 [6.6] 2.2
	110 [43.3]	Total BTUH [kW] Sens BTUH [kW] Power	29.4 [8.6] 17.7 [5.2] 2.4	28.8 [8.5] 16.9 [5.0] 2.4	28.1 [8.2] 15.7 [4.6] 2.4	27.3 [8.0] 21.7 [6.4] 2.4	26.8 [7.9] 20.7 [6.1] 2.4	26.1 [7.6] 19.3 [5.6] 2.4	25.5 [7.5] 24.9 [7.3] 2.4	25.1 [7.4] 23.8 [7.0] 2.4	24.4 [7.2] 22.1 [6.5] 2.4
	115 [46.1]	Total BTUH [kW] Sens BTUH [kW] Power	28.2 [8.3] 17.0 [5.0] 2.6	27.7 [8.1] 16.3 [4.8] 2.6	26.9 [7.9] 15.1 [4.4] 2.5	26.1 [7.7] 21.0 [6.2] 2.6	25.7 [7.5] 20.1 [5.9] 2.6	25.0 [7.3] 18.7 [5.5] 2.5	24.4 [7.1] 24.2 [7.1] 2.6	23.9 [7.0] 23.1 [6.8] 2.5	23.3 [6.8] 21.5 [6.3] 2.5
	120 [48.9]	Total BTUH [kW] Sens BTUH [kW] Power	27.0 [7.9] 16.3 [4.8] 2.7	26.5 [7.8] 15.6 [4.6] 2.7	25.8 [7.6] 14.5 [4.3] 2.7	25.0 [7.3] 20.3 [6.0] 2.7	24.5 [7.2] 19.4 [5.7] 2.7	23.9 [7.0] 18.1 [5.3] 2.7	23.2 [6.8] 23.2 [6.8] 2.7	22.8 [6.7] 22.5 [6.6] 2.7	22.2 [6.5] 20.9 [6.1] 2.7
	125 [51.7]	Total BTUH [kW] Sens BTUH [kW] Power	25.8 [7.6] 15.6 [4.6] 2.9	25.4 [7.4] 14.9 [4.4] 2.9	24.7 [7.2] 13.9 [4.1] 2.8	23.8 [7.0] 19.6 [5.8] 2.9	23.3 [6.8] 18.8 [5.5] 2.9	22.7 [6.7] 17.4 [5.1] 2.8	22.0 [6.4] 22.0 [6.4] 2.9	21.6 [6.3] 21.6 [6.3] 2.9	21.0 [6.2] 20.3 [5.9] 2.8

DR —Depression ratio  
dbE —Entering air dry bulb  
wbE—Entering air wet bulb

Total —Total capacity x 1000 BTUH  
Sens —Sensible capacity x 1000 BTUH  
Power —kW input

NOTES: ① When the entering air dry bulb is other than 80°F [27°C], adjust the sensible capacity from the table by adding [1.10 x CFM x (1 – DR) x (dbE – 80)].

[ ] Designates Metric Conversions

### GROSS SYSTEMS PERFORMANCE DATA – RACA14036A

ENTERING INDOOR AIR @ 80°F [26.7°C] dbE ①											
wbE		71°F [21.7°C]			67°F [19.4°C]			63°F [17.2°C]			
CFM [L/s]		1320 [623]	1200 [566]	1020 [481]	1320 [623]	1200 [566]	1020 [481]	1320 [623]	1200 [566]	1020 [481]	
DR ①		0.23	0.21	0.18	0.23	0.21	0.18	0.23	0.21	0.18	
OUTDOOR DRY BULB TEMPERATURE °F [°C]	75 [23.9]	Total BTUH [kW] Sens BTUH [kW] Power	44.3 [13.0] 25.4 [7.4] 2.0	43.5 [12.8] 24.2 [7.1] 2.0	42.3 [12.4] 22.5 [6.6] 2.0	41.4 [12.1] 29.6 [8.7] 2.0	40.6 [11.9] 28.3 [8.3] 2.0	39.5 [11.6] 26.3 [7.7] 2.0	38.3 [11.2] 32.8 [9.6] 2.0	37.6 [11.0] 31.3 [9.2] 2.0	36.6 [10.7] 29.1 [8.5] 2.0
	80 [26.7]	Total BTUH [kW] Sens BTUH [kW] Power	43.0 [12.6] 24.7 [7.2] 2.1	42.2 [12.4] 23.6 [6.9] 2.1	41.1 [12.0] 21.9 [6.4] 2.1	40.0 [11.7] 28.9 [8.5] 2.1	39.3 [11.5] 27.6 [8.1] 2.1	38.2 [11.2] 25.7 [7.5] 2.1	37.0 [10.8] 32.1 [9.4] 2.1	36.3 [10.6] 30.7 [9.0] 2.1	35.3 [10.3] 28.5 [8.4] 2.1
	85 [29.4]	Total BTUH [kW] Sens BTUH [kW] Power	41.7 [12.2] 24.0 [7.0] 2.3	40.9 [12.0] 22.9 [6.7] 2.2	39.8 [11.7] 21.3 [6.2] 2.2	38.7 [11.3] 28.2 [8.3] 2.2	38.0 [11.1] 27.0 [7.9] 2.2	37.0 [10.8] 25.1 [7.3] 2.2	35.6 [10.4] 31.4 [9.2] 2.2	35.0 [10.3] 30.0 [8.8] 2.2	34.0 [10.0] 27.9 [8.2] 2.2
	90 [32.2]	Total BTUH [kW] Sens BTUH [kW] Power	40.3 [11.8] 23.2 [6.8] 2.4	39.6 [11.6] 22.2 [6.5] 2.4	38.5 [11.3] 20.7 [6.1] 2.3	37.3 [10.9] 27.5 [8.1] 2.4	36.7 [10.7] 26.3 [7.7] 2.4	35.7 [10.5] 24.4 [7.2] 2.3	34.3 [10.0] 30.7 [9.0] 2.4	33.7 [9.9] 29.3 [8.6] 2.4	32.7 [9.6] 27.3 [8.0] 2.3
	95 [35]	Total BTUH [kW] Sens BTUH [kW] Power	38.9 [11.4] 22.5 [6.6] 2.5	38.3 [11.2] 21.5 [6.3] 2.5	37.2 [10.9] 20.0 [5.9] 2.5	36.0 [10.5] 26.7 [7.8] 2.5	35.3 [10.4] 25.5 [7.5] 2.5	34.4 [10.1] 23.7 [7.0] 2.5	32.9 [9.6] 29.9 [8.8] 2.5	32.3 [9.5] 28.6 [8.4] 2.5	31.4 [9.2] 26.6 [7.8] 2.5
	100 [37.8]	Total BTUH [kW] Sens BTUH [kW] Power	37.6 [11.0] 21.7 [6.4] 2.7	36.9 [10.8] 20.7 [6.1] 2.7	35.9 [10.5] 19.3 [5.7] 2.6	34.6 [10.1] 25.9 [7.6] 2.7	34.0 [10.0] 24.8 [7.3] 2.7	33.0 [9.7] 23.0 [6.8] 2.6	31.5 [9.2] 29.1 [8.5] 2.7	30.9 [9.1] 27.8 [8.2] 2.6	30.1 [8.8] 25.9 [7.6] 2.6
	105 [40.6]	Total BTUH [kW] Sens BTUH [kW] Power	36.1 [10.6] 20.9 [6.1] 2.9	35.5 [10.4] 20.0 [5.8] 2.8	34.5 [10.1] 18.6 [5.4] 2.8	33.2 [9.7] 25.1 [7.4] 2.8	32.6 [9.5] 24.0 [7.0] 2.8	31.7 [9.3] 22.3 [6.5] 2.8	30.1 [8.8] 28.3 [8.3] 2.8	29.6 [8.7] 27.1 [7.9] 2.8	28.7 [8.4] 25.2 [7.4] 2.8
	110 [43.3]	Total BTUH [kW] Sens BTUH [kW] Power	34.7 [10.2] 20.1 [5.9] 3.0	34.1 [10.0] 19.2 [5.6] 3.0	33.2 [9.7] 17.8 [5.2] 3.0	31.7 [9.3] 24.3 [7.1] 3.0	31.2 [9.1] 23.2 [6.8] 3.0	30.3 [8.9] 21.6 [6.3] 3.0	28.7 [8.4] 27.5 [8.1] 3.0	28.2 [8.3] 26.3 [7.7] 3.0	27.4 [8.0] 24.4 [7.2] 3.0
	115 [46.1]	Total BTUH [kW] Sens BTUH [kW] Power	33.3 [9.8] 19.2 [5.6] 3.2	32.7 [9.6] 18.3 [5.4] 3.2	31.8 [9.3] 17.0 [5.0] 3.2	30.3 [8.9] 23.4 [6.9] 3.2	29.8 [8.7] 22.4 [6.6] 3.2	28.9 [8.5] 20.8 [6.1] 3.2	27.2 [8.0] 26.6 [7.8] 3.2	26.7 [7.8] 25.4 [7.5] 3.2	26.0 [7.6] 23.7 [6.9] 3.1
	120 [48.9]	Total BTUH [kW] Sens BTUH [kW] Power	31.8 [9.3] 18.3 [5.4] 3.4	31.2 [9.2] 17.5 [5.1] 3.4	30.4 [8.9] 16.3 [4.8] 3.4	28.8 [8.5] 22.5 [6.6] 3.4	28.3 [8.3] 21.5 [6.3] 3.4	27.5 [8.1] 20.0 [5.9] 3.4	25.8 [7.5] 25.7 [7.5] 3.4	25.3 [7.4] 24.6 [7.2] 3.4	24.6 [7.2] 22.9 [6.7] 3.3
	125 [51.7]	Total BTUH [kW] Sens BTUH [kW] Power	30.3 [8.9] 17.4 [5.1] 3.6	29.8 [8.7] 16.6 [4.9] 3.6	29.0 [8.5] 15.4 [4.5] 3.6	27.4 [8.0] 21.6 [6.3] 3.6	26.9 [7.9] 20.7 [6.1] 3.6	26.1 [7.7] 19.2 [5.6] 3.6	24.3 [7.1] 24.3 [7.1] 3.6	23.8 [7.0] 23.7 [6.9] 3.6	23.2 [6.8] 22.0 [6.5] 3.6

DR —Depression ratio  
dbE —Entering air dry bulb  
wbE—Entering air wet bulb

Total —Total capacity x 1000 BTUH  
Sens —Sensible capacity x 1000 BTUH  
Power —KW input

NOTES: ① When the entering air dry bulb is other than 80°F [27°C], adjust the sensible capacity from the table by adding [1.10 x CFM x (1 – DR) x (dbE – 80)].

[ ] Designates Metric Conversions

## GROSS SYSTEMS PERFORMANCE DATA—RACA14042A

ENTERING INDOOR AIR @ 80°F [26.7°C] dbE ①											
wbE		71°F [21.7°C]			67°F [19.4°C]			63°F [17.2°C]			
CFM [L/s]		1430 [675]	1300 [614]	1100 [519]	1430 [675]	1300 [614]	1100 [519]	1430 [675]	1300 [614]	1100 [519]	
DR ①		0.15	0.14	0.1	0.15	0.14	0.1	0.15	0.14	0.1	
OUTDOOR DRY BULB TEMPERATURE °F [°C]	75 [23.9]	Total BTUH [kW] Sens BTUH [kW] Power	50.0 [14.7] 29.2 [8.5] 2.4	49.1 [14.4] 27.9 [8.2] 2.4	47.7 [14.0] 25.9 [7.6] 2.3	47.3 [13.9] 34.3 [10.0] 2.4	46.4 [13.6] 32.7 [9.6] 2.3	45.1 [13.2] 30.4 [8.9] 2.3	44.3 [13.0] 38.5 [11.3] 2.3	43.5 [12.8] 36.8 [10.8] 2.3	42.3 [12.4] 34.2 [10.0] 2.3
	80 [26.7]	Total BTUH [kW] Sens BTUH [kW] Power	48.7 [14.3] 28.5 [8.4] 2.5	47.9 [14.0] 27.3 [8.0] 2.5	46.5 [13.6] 25.3 [7.4] 2.5	46.0 [13.5] 33.7 [9.9] 2.5	45.2 [13.2] 32.2 [9.4] 2.5	43.9 [12.9] 29.8 [8.7] 2.4	43.0 [12.6] 37.9 [11.1] 2.5	42.3 [12.4] 36.2 [10.6] 2.5	41.1 [12.0] 33.6 [9.9] 2.4
	85 [29.4]	Total BTUH [kW] Sens BTUH [kW] Power	47.4 [13.9] 27.9 [8.2] 2.7	46.6 [13.6] 26.6 [7.8] 2.6	45.2 [13.3] 24.7 [7.2] 2.6	44.7 [13.1] 33.0 [9.7] 2.6	43.9 [12.9] 31.5 [9.2] 2.6	42.6 [12.5] 29.3 [8.6] 2.6	41.7 [12.2] 37.2 [10.9] 2.6	41.0 [12.0] 35.6 [10.4] 2.6	39.8 [11.7] 33.0 [9.7] 2.6
	90 [32.2]	Total BTUH [kW] Sens BTUH [kW] Power	46.0 [13.5] 27.2 [8.0] 2.8	45.2 [13.2] 26.0 [7.6] 2.8	43.9 [12.9] 24.1 [7.1] 2.8	43.3 [12.7] 32.3 [9.5] 2.8	42.5 [12.5] 30.8 [9.0] 2.8	41.3 [12.1] 28.6 [8.4] 2.7	40.3 [11.8] 36.5 [10.7] 2.8	39.6 [11.6] 34.9 [10.2] 2.8	38.5 [11.3] 32.4 [9.5] 2.7
	95 [35]	Total BTUH [kW] Sens BTUH [kW] Power	44.6 [13.1] 26.4 [7.7] 3.0	43.8 [12.8] 25.2 [7.4] 3.0	42.6 [12.5] 23.4 [6.9] 2.9	41.8 [12.3] 31.5 [9.2] 3.0	41.1 [12.0] 30.1 [8.8] 3.0	39.9 [11.7] 27.9 [8.2] 2.9	38.9 [11.4] 35.8 [10.5] 3.0	38.2 [11.2] 34.2 [10.0] 2.9	37.1 [10.9] 31.7 [9.3] 2.9
	100 [37.8]	Total BTUH [kW] Sens BTUH [kW] Power	43.1 [12.6] 25.6 [7.5] 3.2	42.3 [12.4] 24.4 [7.2] 3.1	41.1 [12.1] 22.7 [6.6] 3.1	40.4 [11.8] 30.7 [9.0] 3.2	39.6 [11.6] 29.3 [8.6] 3.1	38.5 [11.3] 27.2 [8.0] 3.1	37.4 [11.0] 34.9 [10.2] 3.1	36.7 [10.8] 33.4 [9.8] 3.1	35.7 [10.5] 31.0 [9.1] 3.1
	105 [40.6]	Total BTUH [kW] Sens BTUH [kW] Power	41.6 [12.2] 24.7 [7.2] 3.4	40.8 [12.0] 23.6 [6.9] 3.3	39.7 [11.6] 21.9 [6.4] 3.3	38.8 [11.4] 29.8 [8.7] 3.3	38.1 [11.2] 28.5 [8.3] 3.3	37.1 [10.9] 26.4 [7.7] 3.3	35.9 [10.5] 34.1 [10.0] 3.3	35.2 [10.3] 32.5 [9.5] 3.3	34.3 [10.0] 30.2 [8.8] 3.3
	110 [43.3]	Total BTUH [kW] Sens BTUH [kW] Power	40.0 [11.7] 23.8 [7.0] 3.6	39.3 [11.5] 22.7 [6.7] 3.5	38.2 [11.2] 21.1 [6.2] 3.5	37.2 [10.9] 28.9 [8.5] 3.5	36.6 [10.7] 27.6 [8.1] 3.5	35.6 [10.4] 25.6 [7.5] 3.5	34.3 [10.0] 33.1 [9.7] 3.5	33.7 [9.9] 31.6 [9.3] 3.5	32.7 [9.6] 29.4 [8.6] 3.5
	115 [46.1]	Total BTUH [kW] Sens BTUH [kW] Power	38.3 [11.2] 22.8 [6.7] 3.8	37.7 [11.0] 21.8 [6.4] 3.7	36.6 [10.7] 20.2 [5.9] 3.7	35.6 [10.4] 27.9 [8.2] 3.8	35.0 [10.2] 26.6 [7.8] 3.7	34.0 [10.0] 24.7 [7.2] 3.7	32.7 [9.6] 32.1 [9.4] 3.7	32.1 [9.4] 30.7 [9.0] 3.7	31.2 [9.1] 28.5 [8.4] 3.7
	120 [48.9]	Total BTUH [kW] Sens BTUH [kW] Power	36.7 [10.7] 21.7 [6.4] 4.0	36.0 [10.6] 20.8 [6.1] 4.0	35.0 [10.3] 19.3 [5.6] 3.9	33.9 [9.9] 26.8 [7.9] 4.0	33.3 [9.8] 25.6 [7.5] 3.9	32.4 [9.5] 23.8 [7.0] 3.9	31.0 [9.1] 31.0 [9.1] 4.0	30.4 [8.9] 29.7 [8.7] 3.9	29.6 [8.7] 27.6 [8.1] 3.9
125 [51.7]	Total BTUH [kW] Sens BTUH [kW] Power	34.9 [10.2] 20.6 [6.1] 4.2	34.3 [10.1] 19.7 [5.8] 4.2	33.3 [9.8] 18.3 [5.4] 4.1	32.2 [9.4] 25.8 [7.5] 4.2	31.6 [9.3] 24.6 [7.2] 4.2	30.7 [9.0] 22.8 [6.7] 4.1	29.2 [8.6] 29.2 [8.6] 4.2	28.7 [8.4] 28.7 [8.4] 4.1	27.9 [8.2] 26.6 [7.8] 4.1	

DR —Depression ratio  
dbE —Entering air dry bulb  
wbE—Entering air wet bulb

Total —Total capacity x 1000 BTUH  
Sens —Sensible capacity x 1000 BTUH  
Power —KW input

NOTES: ① When the entering air dry bulb is other than 80°F [27°C], adjust the sensible capacity from the table by adding [1.10 x CFM x (1 – DR) x (dbE – 80)].

[ ] Designates Metric Conversions

**GROSS SYSTEMS PERFORMANCE DATA – RACA14048A**

ENTERING INDOOR AIR @ 80°F [26.7°C] dbE ①											
wbE		71°F [21.7°C]			67°F [19.4°C]			63°F [17.2°C]			
CFM [L/s]		1700 [802]	1550 [732]	1320 [623]	1700 [802]	1550 [732]	1320 [623]	1700 [802]	1550 [732]	1320 [623]	
DR ①		0.21	0.19	0.17	0.21	0.19	0.17	0.21	0.19	0.17	
OUTDOOR DRY BULB TEMPERATURE °F [°C]	75 [23.9]	Total BTUH [kW] Sens BTUH [kW] Power	58.8 [17.2] 33.0 [9.7] 2.8	57.8 [16.9] 31.6 [9.3] 2.8	56.3 [16.5] 29.4 [8.6] 2.7	55.4 [16.2] 39.1 [11.5] 2.8	54.4 [15.9] 37.4 [11.0] 2.7	53.0 [15.5] 34.8 [10.2] 2.7	52.6 [15.4] 45.0 [13.2] 2.7	51.7 [15.1] 43.0 [12.6] 2.7	50.3 [14.7] 40.1 [11.7] 2.7
	80 [26.7]	Total BTUH [kW] Sens BTUH [kW] Power	57.1 [16.7] 32.2 [9.4] 2.9	56.1 [16.4] 30.8 [9.0] 2.9	54.6 [16.0] 28.7 [8.4] 2.9	53.6 [15.7] 38.3 [11.2] 2.9	52.7 [15.4] 36.6 [10.7] 2.9	51.3 [15.0] 34.1 [10.0] 2.9	50.8 [14.9] 44.2 [12.9] 2.9	49.9 [14.6] 42.3 [12.4] 2.9	48.6 [14.2] 39.3 [11.5] 2.8
	85 [29.4]	Total BTUH [kW] Sens BTUH [kW] Power	55.3 [16.2] 31.4 [9.2] 3.1	54.4 [15.9] 30.0 [8.8] 3.1	52.9 [15.5] 27.9 [8.2] 3.0	51.9 [15.2] 37.4 [11.0] 3.1	51.0 [14.9] 35.8 [10.5] 3.1	49.6 [14.5] 33.3 [9.8] 3.0	49.1 [14.4] 43.3 [12.7] 3.1	48.2 [14.1] 41.4 [12.1] 3.0	46.9 [13.7] 38.6 [11.3] 3.0
	90 [32.2]	Total BTUH [kW] Sens BTUH [kW] Power	53.6 [15.7] 30.4 [8.9] 3.3	52.6 [15.4] 29.1 [8.5] 3.3	51.2 [15.0] 27.1 [7.9] 3.2	50.1 [14.7] 36.5 [10.7] 3.3	49.2 [14.4] 34.9 [10.2] 3.2	47.9 [14.0] 32.5 [9.5] 3.2	47.3 [13.9] 42.4 [12.4] 3.2	46.5 [13.6] 40.6 [11.9] 3.2	45.2 [13.3] 37.8 [11.1] 3.2
	95 [35]	Total BTUH [kW] Sens BTUH [kW] Power	51.8 [15.2] 29.5 [8.6] 3.5	50.9 [14.9] 28.2 [8.3] 3.5	49.5 [14.5] 26.3 [7.7] 3.4	48.4 [14.2] 35.6 [10.4] 3.5	47.5 [13.9] 34.0 [10.0] 3.4	46.3 [13.6] 31.7 [9.3] 3.4	45.6 [13.4] 41.5 [12.1] 3.4	44.8 [13.1] 39.7 [11.6] 3.4	43.6 [12.8] 36.9 [10.8] 3.4
	100 [37.8]	Total BTUH [kW] Sens BTUH [kW] Power	50.1 [14.7] 28.5 [8.4] 3.7	49.2 [14.4] 27.3 [8.0] 3.7	47.9 [14.0] 25.4 [7.4] 3.6	46.6 [13.7] 34.6 [10.1] 3.7	45.8 [13.4] 33.1 [9.7] 3.7	44.6 [13.1] 30.8 [9.0] 3.6	43.8 [12.8] 40.5 [11.9] 3.7	43.1 [12.6] 38.7 [11.3] 3.6	41.9 [12.3] 36.0 [10.6] 3.6
	105 [40.6]	Total BTUH [kW] Sens BTUH [kW] Power	48.4 [14.2] 27.5 [8.1] 4.0	47.5 [13.9] 26.3 [7.7] 3.9	46.2 [13.5] 24.5 [7.2] 3.9	44.9 [13.2] 33.6 [9.8] 3.9	44.1 [12.9] 32.1 [9.4] 3.9	42.9 [12.6] 29.9 [8.8] 3.8	42.1 [12.3] 39.4 [11.6] 3.9	41.4 [12.1] 37.7 [11.1] 3.9	40.3 [11.8] 35.1 [10.3] 3.8
	110 [43.3]	Total BTUH [kW] Sens BTUH [kW] Power	46.6 [13.7] 26.4 [7.7] 4.2	45.8 [13.4] 25.3 [7.4] 4.2	44.6 [13.1] 23.5 [6.9] 4.1	43.2 [12.7] 32.5 [9.5] 4.2	42.4 [12.4] 31.1 [9.1] 4.2	41.3 [12.1] 28.9 [8.5] 4.1	40.4 [11.8] 38.4 [11.2] 4.2	39.7 [11.6] 36.7 [10.8] 4.1	38.6 [11.3] 34.2 [10.0] 4.1
	115 [46.1]	Total BTUH [kW] Sens BTUH [kW] Power	44.9 [13.2] 25.3 [7.4] 4.5	44.1 [12.9] 24.2 [7.1] 4.5	42.9 [12.6] 22.6 [6.6] 4.4	41.5 [12.2] 31.4 [9.2] 4.5	40.8 [11.9] 30.0 [8.8] 4.4	39.7 [11.6] 28.0 [8.2] 4.4	38.7 [11.3] 37.3 [10.9] 4.4	38.0 [11.1] 35.7 [10.5] 4.4	37.0 [10.8] 33.2 [9.7] 4.4
	120 [48.9]	Total BTUH [kW] Sens BTUH [kW] Power	43.2 [12.7] 24.2 [7.1] 4.8	42.5 [12.4] 23.1 [6.8] 4.8	41.3 [12.1] 21.5 [6.3] 4.7	39.8 [11.7] 30.3 [8.9] 4.8	39.1 [11.4] 28.9 [8.5] 4.7	38.0 [11.1] 26.9 [7.9] 4.7	37.0 [10.8] 36.1 [10.6] 4.7	36.3 [10.6] 34.6 [10.1] 4.7	35.3 [10.4] 32.2 [9.4] 4.6
	125 [51.7]	Total BTUH [kW] Sens BTUH [kW] Power	41.5 [12.2] 23.0 [6.7] 5.1	40.8 [12.0] 22.0 [6.4] 5.1	39.7 [11.6] 20.5 [6.0] 5.0	38.1 [11.2] 29.1 [8.5] 5.1	37.4 [11.0] 27.8 [8.2] 5.0	36.4 [10.7] 25.9 [7.6] 5.0	35.3 [10.3] 35.0 [10.2] 5.1	34.6 [10.2] 33.4 [9.8] 5.0	33.7 [9.9] 31.1 [9.1] 5.0

DR —Depression ratio  
dbE —Entering air dry bulb  
wbE—Entering air wet bulb

Total —Total capacity x 1000 BTUH  
Sens —Sensible capacity x 1000 BTUH  
Power —KW input

NOTES: ① When the entering air dry bulb is other than 80°F [27°C], adjust the sensible capacity from the table by adding [1.10 x CFM x (1 – DR) x (dbE – 80)].

[ ] Designates Metric Conversions

## GROSS SYSTEMS PERFORMANCE DATA—RACA14060C

		ENTERING INDOOR AIR @ 80°F [26.7°C] dbE ①									
wbE		71°F [21.7°C]			67°F [19.4°C]			63°F [17.2°C]			
CFM [L/s]		2040 [963]	1700 [802]	1570 [741]	2040 [963]	1700 [802]	1570 [741]	2040 [963]	1700 [802]	1570 [741]	
DR ①		0.09	0.15	0.17	0.09	0.15	0.17	0.09	0.15	0.17	
OUTDOOR DRY BULB TEMPERATURE	75 [23.9]	Total BTUH [kW] Sens BTUH [kW] Power	72.6 [21.3] 43.7 [12.8] 3.8	70.1 [20.5] 37.5 [11.0] 3.7	69.1 [20.2] 35.2 [10.3] 3.7	68.3 [20.0] 50.8 [14.9] 3.8	65.9 [19.3] 44.1 [12.9] 3.7	65.0 [19.0] 41.7 [12.2] 3.7	64.7 [19.0] 57.8 [16.9] 3.7	62.4 [18.3] 50.6 [14.8] 3.7	61.5 [18.0] 47.9 [14.0] 3.6
	80 [26.7]	Total BTUH [kW] Sens BTUH [kW] Power	70.7 [20.7] 42.9 [12.6] 4	68.2 [20.0] 36.7 [10.8] 3.9	67.2 [19.7] 34.4 [10.1] 3.9	66.3 [19.4] 49.9 [14.6] 4.0	64.0 [18.8] 43.3 [12.7] 3.9	63.1 [18.5] 40.9 [12.0] 3.9	62.7 [18.4] 56.9 [16.7] 3.9	60.5 [17.7] 49.8 [14.6] 3.8	59.7 [17.5] 47.3 [13.9] 3.8
	85 [29.4]	Total BTUH [kW] Sens BTUH [kW] Power	68.6 [20.1] 41.8 [12.2] 4.2	66.2 [19.4] 35.8 [10.5] 4.1	65.3 [19.1] 33.7 [9.9] 4.1	64.3 [18.8] 49.0 [14.4] 4.2	62.0 [18.2] 42.5 [12.5] 4.1	61.2 [17.9] 40.2 [11.8] 4.1	60.7 [17.8] 56.0 [16.4] 4.1	58.5 [17.1] 49.0 [14.4] 4.1	57.7 [16.9] 46.5 [13.6] 4.0
	90 [32.2]	Total BTUH [kW] Sens BTUH [kW] Power	66.5 [19.5] 40.8 [12.0] 4.4	64.2 [18.8] 35.0 [10.3] 4.4	63.3 [18.5] 32.9 [9.6] 4.3	62.2 [18.2] 47.9 [14.0] 4.4	60.0 [17.6] 41.6 [12.2] 4.3	59.2 [17.3] 39.3 [11.5] 4.3	58.6 [17.2] 54.9 [16.1] 4.4	56.5 [16.6] 48.1 [14.1] 4.3	55.7 [16.3] 45.6 [13.4] 4.3
	95 [35]	Total BTUH [kW] Sens BTUH [kW] Power	64.4 [18.9] 39.7 [11.6] 4.7	62.1 [18.2] 34.0 [10.0] 4.6	61.2 [17.9] 31.9 [9.3] 4.6	60.1 [17.6] 46.8 [13.7] 4.7	57.9 [17.0] 40.6 [11.9] 4.6	57.1 [16.7] 38.4 [11.3] 4.5	56.4 [16.5] 53.7 [15.7] 4.6	54.4 [15.9] 47.1 [13.8] 4.5	53.7 [15.7] 44.7 [13.1] 4.5
	100 [37.8]	Total BTUH [kW] Sens BTUH [kW] Power	62.2 [18.2] 38.5 [11.3] 5	60.0 [17.6] 33.0 [9.7] 4.9	59.1 [17.3] 31.0 [9.1] 4.8	57.8 [16.9] 45.5 [13.3] 4.9	55.8 [16.3] 39.6 [11.6] 4.8	55.0 [16.1] 37.4 [11.0] 4.8	54.2 [15.9] 52.5 [15.4] 4.9	52.3 [15.3] 46.1 [13.5] 4.8	51.6 [15.1] 43.8 [12.8] 4.8
	105 [40.6]	Total BTUH [kW] Sens BTUH [kW] Power	59.9 [17.6] 37.2 [10.9] 5.3	57.8 [16.9] 31.9 [9.3] 5.2	57.0 [16.7] 30.0 [8.8] 5.1	55.6 [16.3] 44.4 [13.0] 5.2	53.6 [15.7] 38.6 [11.3] 5.1	52.9 [15.5] 36.5 [10.7] 5.1	51.9 [15.2] 51.3 [15.0] 5.2	50.1 [14.7] 45.1 [13.2] 5.1	49.4 [14.5] 42.8 [12.5] 5.1
	110 [43.3]	Total BTUH [kW] Sens BTUH [kW] Power	57.5 [16.8] 35.9 [10.5] 5.6	55.5 [16.3] 30.8 [9.0] 5.5	54.8 [16.1] 29.0 [8.5] 5.4	53.2 [15.6] 43.0 [12.6] 5.5	51.4 [15.1] 37.5 [11.0] 5.4	50.6 [14.8] 35.4 [10.4] 5.4	49.6 [14.5] 49.6 [14.5] 5.5	47.9 [14.0] 44.0 [12.9] 5.4	47.2 [13.8] 41.8 [12.2] 5.4
	115 [46.1]	Total BTUH [kW] Sens BTUH [kW] Power	55.2 [16.2] 34.5 [10.1] 5.9	53.2 [15.6] 29.6 [8.7] 5.8	52.5 [15.4] 27.9 [8.2] 5.8	50.8 [14.9] 41.5 [12.2] 5.9	49.1 [14.4] 36.3 [10.6] 5.8	48.4 [14.2] 34.3 [10.0] 5.7	47.2 [13.8] 47.2 [13.8] 5.8	45.5 [13.3] 42.7 [12.5] 5.7	44.9 [13.2] 40.6 [11.9] 5.7

DR —Depression ratio  
dbE —Entering air dry bulb  
wbE —Entering air wet bulb

Total —Total capacity x 1000 BTUH  
Sens —Sensible capacity x 1000 BTUH  
Power —KW input

NOTES: ① When the entering air dry bulb is other than 80°F [27°C], adjust the sensible capacity from the table by adding [1.10 x CFM x (1 - DR) x (dbE - 80)].

[ ] Designates Metric Conversions

### GROSS SYSTEMS PERFORMANCE DATA—RACA15024B

wbE		ENTERING INDOOR AIR @ 80°F [26.7°C] dbE ①									
		71°F [21.7°C]			67°F [19.4°C]			63°F [17.2°C]			
CFM [L/s]		990 [467]	900 [425]	760 [359]	990 [467]	900 [425]	760 [359]	990 [467]	900 [425]	760 [359]	
DR ①		0.18	0.2	0.22	0.18	0.2	0.22	0.18	0.2	0.22	
OUTDOOR DRY BULB TEMPERATURE °F [°C]	75 [23.9]	Total BTUH [kW] Sens BTUH [kW] Power	30.2 [8.8] 18.3 [5.4] 1.4	29.7 [8.7] 17.0 [5.0] 1.4	28.8 [8.4] 14.9 [4.4] 1.4	28.0 [8.2] 21.7 [6.4] 1.4	27.5 [8.1] 20.2 [5.9] 1.4	26.7 [7.8] 18.0 [5.3] 1.4	26.3 [7.7] 24.3 [7.1] 1.4	25.8 [7.6] 22.7 [6.7] 1.4	25.1 [7.4] 20.4 [6.0] 1.4
	80 [26.7]	Total BTUH [kW] Sens BTUH [kW] Power	29.6 [8.7] 18.0 [5.3] 1.5	29.1 [8.5] 16.7 [4.9] 1.5	28.2 [8.3] 14.7 [4.3] 1.5	27.4 [8.0] 21.4 [6.3] 1.5	26.9 [7.9] 19.9 [5.8] 1.5	26.1 [7.6] 17.7 [5.2] 1.5	25.7 [7.5] 24.0 [7.0] 1.5	25.2 [7.4] 22.4 [6.6] 1.5	24.5 [7.2] 20.1 [5.9] 1.5
	85 [29.4]	Total BTUH [kW] Sens BTUH [kW] Power	28.9 [8.5] 17.6 [5.2] 1.6	28.3 [8.3] 16.2 [4.7] 1.6	27.5 [8.1] 14.3 [4.2] 1.6	26.7 [7.8] 20.9 [6.1] 1.6	26.2 [7.7] 19.5 [5.7] 1.6	25.4 [7.4] 17.3 [5.1] 1.6	24.9 [7.3] 23.6 [6.9] 1.6	24.5 [7.2] 22.1 [6.5] 1.6	23.8 [7.0] 19.8 [5.8] 1.6
	90 [32.2]	Total BTUH [kW] Sens BTUH [kW] Power	28.0 [8.2] 17.0 [5.0] 1.7	27.5 [8.1] 15.7 [4.6] 1.7	26.8 [7.9] 13.9 [4.1] 1.7	25.8 [7.6] 20.4 [6.0] 1.7	25.4 [7.4] 19.1 [5.6] 1.7	24.7 [7.2] 17.1 [5.0] 1.7	24.1 [7.1] 23.0 [6.7] 1.7	23.7 [6.9] 21.6 [6.3] 1.7	23.0 [6.7] 19.4 [5.7] 1.7
	95 [35]	Total BTUH [kW] Sens BTUH [kW] Power	27.1 [7.9] 16.4 [4.8] 1.8	26.6 [7.8] 15.2 [4.5] 1.8	25.9 [7.6] 13.4 [3.9] 1.8	24.9 [7.3] 19.9 [5.8] 1.8	24.5 [7.2] 18.6 [5.4] 1.8	23.8 [7.0] 16.6 [4.9] 1.8	23.2 [6.8] 22.5 [6.6] 1.8	22.8 [6.7] 21.1 [6.2] 1.8	22.2 [6.5] 19.0 [5.6] 1.8
	100 [37.8]	Total BTUH [kW] Sens BTUH [kW] Power	26.1 [7.6] 15.9 [4.7] 1.9	25.6 [7.5] 14.7 [4.3] 1.9	24.9 [7.3] 13.0 [3.8] 1.9	23.9 [7.0] 19.3 [5.7] 1.9	23.5 [6.9] 18.0 [5.3] 1.9	22.8 [6.7] 16.0 [4.7] 1.9	22.2 [6.5] 21.9 [6.4] 1.9	21.8 [6.4] 20.5 [6.0] 1.9	21.2 [6.2] 18.5 [5.4] 1.9
	105 [40.6]	Total BTUH [kW] Sens BTUH [kW] Power	25.0 [7.3] 15.2 [4.5] 2.0	24.5 [7.2] 14.0 [4.1] 2.0	23.9 [7.0] 12.4 [3.6] 2.0	22.8 [6.7] 18.6 [5.4] 2.0	22.4 [6.6] 17.4 [5.1] 2.0	21.7 [6.4] 15.5 [4.5] 2.0	21.1 [6.2] 21.1 [6.2] 2.0	20.7 [6.1] 19.9 [5.8] 2.0	20.1 [5.9] 17.9 [5.2] 2.0
	110 [43.3]	Total BTUH [kW] Sens BTUH [kW] Power	23.8 [7.0] 14.4 [4.2] 2.2	23.3 [6.8] 13.3 [3.9] 2.2	22.7 [6.7] 11.8 [3.5] 2.1	21.6 [6.3] 17.9 [5.2] 2.2	21.2 [6.2] 16.7 [4.9] 2.2	20.6 [6.0] 14.9 [4.4] 2.1	19.9 [5.8] 19.9 [5.8] 2.2	19.5 [5.7] 19.2 [5.6] 2.2	19.0 [5.6] 17.3 [5.1] 2.1
	115 [46.1]	Total BTUH [kW] Sens BTUH [kW] Power	22.5 [6.6] 13.6 [4.0] 2.3	22.1 [6.5] 12.6 [3.7] 2.3	21.4 [6.3] 11.0 [3.2] 2.3	20.2 [5.9] 17.0 [5.0] 2.3	19.9 [5.8] 15.9 [4.7] 2.3	19.3 [5.7] 14.2 [4.2] 2.3	18.5 [5.4] 18.5 [5.4] 2.3	18.2 [5.3] 18.2 [5.3] 2.3	17.7 [5.2] 16.6 [4.9] 2.3

DR —Depression ratio  
dbE —Entering air dry bulb  
wbE —Entering air wet bulb

Total —Total capacity x 1000 BTUH  
Sens —Sensible capacity x 1000 BTUH  
Power —KW input

NOTES: ① When the entering air dry bulb is other than 80°F [27°C], adjust the sensible capacity from the table by adding [1.10 x CFM x (1 - DR) x (dbE - 80)].

[ ] Designates Metric Conversions

## GROSS SYSTEMS PERFORMANCE DATA—RACA15030A

ENTERING INDOOR AIR @ 80°F [26.7°C] dbE ①											
wbE		71°F [21.7°C]			67°F [19.4°C]			63°F [17.2°C]			
CFM [L/s]		1070 [505]	975 [460]	830 [392]	1070 [505]	975 [460]	830 [392]	1070 [505]	975 [460]	830 [392]	
DR ①		0.16	0.14	0.1	0.16	0.14	0.1	0.16	0.14	0.1	
OUTDOOR DRY BULB TEMPERATURE °F [°C]	75 [23.9]	Total BTUH [kW] Sens BTUH [kW] Power	36.8 [10.8] 21.5 [6.3] 1.7	36.1 [10.6] 20.5 [6.0] 1.7	35.2 [10.3] 19.1 [5.6] 1.6	34.3 [10.1] 25.1 [7.4] 1.7	33.7 [9.9] 24.0 [7.0] 1.6	32.8 [9.6] 22.4 [6.6] 1.6	32.4 [9.5] 28.3 [8.3] 1.6	31.8 [9.3] 27.1 [7.9] 1.6	31.0 [9.1] 25.2 [7.4] 1.6
	80 [26.7]	Total BTUH [kW] Sens BTUH [kW] Power	35.7 [10.5] 21.0 [6.1] 1.8	35.1 [10.3] 20.1 [5.9] 1.7	34.2 [10.0] 18.7 [5.5] 1.7	33.3 [9.7] 24.7 [7.2] 1.7	32.7 [9.6] 23.6 [6.9] 1.7	31.8 [9.3] 21.9 [6.4] 1.7	31.3 [9.2] 27.8 [8.2] 1.7	30.8 [9.0] 26.6 [7.8] 1.7	30.0 [8.8] 24.8 [7.3] 1.7
	85 [29.4]	Total BTUH [kW] Sens BTUH [kW] Power	34.7 [10.2] 20.5 [6.0] 1.9	34.1 [10.0] 19.6 [5.7] 1.8	33.2 [9.7] 18.2 [5.3] 1.8	32.2 [9.4] 24.2 [7.1] 1.8	31.7 [9.3] 23.1 [6.8] 1.8	30.8 [9.0] 21.5 [6.3] 1.8	30.3 [8.9] 27.4 [8.0] 1.8	29.8 [8.7] 26.2 [7.7] 1.8	29.0 [8.5] 24.3 [7.1] 1.8
	90 [32.2]	Total BTUH [kW] Sens BTUH [kW] Power	33.7 [9.9] 20.0 [5.9] 2.0	33.1 [9.7] 19.1 [5.6] 1.9	32.2 [9.4] 17.8 [5.2] 1.9	31.2 [9.1] 23.6 [6.9] 1.9	30.6 [9.0] 22.6 [6.6] 1.9	29.8 [8.7] 21.0 [6.2] 1.9	29.2 [8.6] 26.8 [7.9] 1.9	28.7 [8.4] 25.7 [7.5] 1.9	28.0 [8.2] 23.9 [7.0] 1.9
	95 [35]	Total BTUH [kW] Sens BTUH [kW] Power	32.6 [9.5] 19.4 [5.7] 2.1	32.0 [9.4] 18.6 [5.4] 2.1	31.2 [9.1] 17.3 [5.1] 2.0	30.1 [8.8] 23.1 [6.8] 2.1	29.6 [8.7] 22.1 [6.5] 2.0	28.8 [8.4] 20.5 [6.0] 2.0	28.2 [8.3] 26.3 [7.7] 2.0	27.7 [8.1] 25.1 [7.4] 2.0	26.9 [7.9] 23.4 [6.9] 2.0
	100 [37.8]	Total BTUH [kW] Sens BTUH [kW] Power	31.5 [9.2] 18.8 [5.5] 2.2	31.0 [9.1] 18.0 [5.3] 2.2	30.1 [8.8] 16.8 [4.9] 2.1	29.0 [8.5] 22.5 [6.6] 2.2	28.5 [8.4] 21.5 [6.3] 2.2	27.7 [8.1] 20.0 [5.9] 2.1	27.1 [7.9] 25.7 [7.5] 2.2	26.6 [7.8] 24.6 [7.2] 2.1	25.9 [7.6] 22.9 [6.7] 2.1
	105 [40.6]	Total BTUH [kW] Sens BTUH [kW] Power	30.4 [8.9] 18.2 [5.3] 2.3	29.9 [8.8] 17.4 [5.1] 2.3	29.1 [8.5] 16.2 [4.8] 2.3	27.9 [8.2] 21.9 [6.4] 2.3	27.4 [8.0] 20.9 [6.1] 2.3	26.7 [7.8] 19.5 [5.7] 2.3	26.0 [7.6] 25.1 [7.4] 2.3	25.6 [7.5] 24.0 [7.0] 2.3	24.9 [7.3] 22.3 [6.5] 2.2
	110 [43.3]	Total BTUH [kW] Sens BTUH [kW] Power	29.3 [8.6] 17.6 [5.2] 2.5	28.8 [8.4] 16.8 [4.9] 2.4	28.0 [8.2] 15.7 [4.6] 2.4	26.8 [7.9] 21.3 [6.2] 2.4	26.4 [7.7] 20.3 [6.0] 2.4	25.6 [7.5] 18.9 [5.5] 2.4	24.9 [7.3] 24.4 [7.2] 2.4	24.5 [7.2] 23.4 [6.9] 2.4	23.8 [7.0] 21.8 [6.4] 2.4
	115 [46.1]	Total BTUH [kW] Sens BTUH [kW] Power	28.2 [8.3] 16.9 [5.0] 2.6	27.7 [8.1] 16.2 [4.7] 2.6	27.0 [7.9] 15.1 [4.4] 2.5	25.7 [7.5] 20.6 [6.0] 2.6	25.3 [7.4] 19.7 [5.8] 2.6	24.6 [7.2] 18.3 [5.4] 2.5	23.8 [7.0] 23.8 [7.0] 2.6	23.4 [6.8] 22.7 [6.7] 2.6	22.7 [6.7] 21.2 [6.2] 2.5
	120 [48.9]	Total BTUH [kW] Sens BTUH [kW] Power	27.1 [7.9] 16.2 [4.8] 2.8	26.6 [7.8] 15.5 [4.5] 2.7	25.9 [7.6] 14.4 [4.2] 2.7	24.6 [7.2] 19.9 [5.8] 2.7	24.2 [7.1] 19.0 [5.6] 2.7	23.5 [6.9] 17.7 [5.2] 2.7	22.7 [6.6] 22.7 [6.6] 2.7	22.3 [6.5] 22.1 [6.5] 2.7	21.7 [6.3] 20.5 [6.0] 2.7
	125 [51.7]	Total BTUH [kW] Sens BTUH [kW] Power	25.9 [7.6] 15.5 [4.5] 2.9	25.5 [7.5] 14.8 [4.3] 2.9	24.8 [7.3] 13.8 [4.0] 2.8	23.4 [6.9] 19.2 [5.6] 2.9	23.0 [6.7] 18.3 [5.4] 2.9	22.4 [6.6] 17.1 [5.0] 2.8	21.5 [6.3] 21.5 [6.3] 2.9	21.1 [6.2] 21.1 [6.2] 2.9	20.6 [6.0] 19.9 [5.8] 2.8

DR —Depression ratio  
dbE —Entering air dry bulb  
wbE—Entering air wet bulb

Total —Total capacity x 1000 BTUH  
Sens —Sensible capacity x 1000 BTUH  
Power —kW input

NOTES: ① When the entering air dry bulb is other than 80°F [27°C], adjust the sensible capacity from the table by adding [1.10 x CFM x (1 – DR) x (dbE – 80)].

[ ] Designates Metric Conversions



### GROSS SYSTEMS PERFORMANCE DATA – RACA15036B

		ENTERING INDOOR AIR @ 80°F [26.7°C] dbE ①									
wbE		71°F [21.7°C]			67°F [19.4°C]			63°F [17.2°C]			
CFM [L/s]		1320 [623]	1115 [526]	1020 [481]	1320 [623]	1115 [526]	1020 [481]	1320 [623]	1115 [526]	1020 [481]	
DR ①		0.17	0.22	0.25	0.17	0.22	0.25	0.17	0.22	0.25	
OUTDOOR DRY BULB TEMPERATURE °F [°C]	75 [23.9]	Total BTUH [kW] Sens BTUH [kW] Power	46.0 [13.5] 27.5 [8.1] 2.1	44.6 [13.1] 23.9 [7.0] 2.1	43.9 [12.9] 22.3 [6.5] 2.1	42.7 [12.5] 31.3 [9.2] 2.1	41.4 [12.1] 27.5 [8.1] 2.1	40.7 [11.9] 25.7 [7.5] 2.1	39.9 [11.7] 34.6 [10.1] 2.1	38.6 [11.3] 30.6 [9.0] 2.1	38.0 [11.1] 28.8 [8.4] 2.1
	80 [26.7]	Total BTUH [kW] Sens BTUH [kW] Power	44.7 [13.1] 26.8 [7.9] 2.2	43.2 [12.7] 23.2 [6.8] 2.2	42.6 [12.5] 21.7 [6.4] 2.2	41.4 [12.1] 30.6 [9.0] 2.2	40.0 [11.7] 26.8 [7.9] 2.2	39.4 [11.5] 25.2 [7.4] 2.2	38.6 [11.3] 33.9 [9.9] 2.2	37.3 [10.9] 29.9 [8.8] 2.2	36.7 [10.8] 28.1 [8.2] 2.2
	85 [29.4]	Total BTUH [kW] Sens BTUH [kW] Power	43.3 [12.7] 26.1 [7.6] 2.4	41.9 [12.3] 22.6 [6.6] 2.3	41.2 [12.1] 21.0 [6.2] 2.3	40.0 [11.7] 29.9 [8.8] 2.4	38.7 [11.3] 26.2 [7.7] 2.3	38.1 [11.2] 24.6 [7.2] 2.3	37.2 [10.9] 33.1 [9.7] 2.4	36.0 [10.5] 29.3 [8.6] 2.3	35.4 [10.4] 27.6 [8.1] 2.3
	90 [32.2]	Total BTUH [kW] Sens BTUH [kW] Power	41.9 [12.3] 25.2 [7.4] 2.5	40.5 [11.9] 21.8 [6.4] 2.5	39.9 [11.7] 20.4 [6.0] 2.5	38.6 [11.3] 29.0 [8.5] 2.5	37.3 [10.9] 25.4 [7.4] 2.5	36.7 [10.8] 23.8 [7.0] 2.4	35.8 [10.5] 32.2 [9.4] 2.5	34.6 [10.1] 28.5 [8.4] 2.5	34.1 [10.0] 26.9 [7.9] 2.4
	95 [35]	Total BTUH [kW] Sens BTUH [kW] Power	40.4 [11.8] 24.3 [7.1] 2.7	39.1 [11.5] 21.1 [6.2] 2.6	38.5 [11.3] 19.7 [5.8] 2.6	37.1 [10.9] 28.1 [8.2] 2.7	35.9 [10.5] 24.7 [7.2] 2.6	35.4 [10.4] 23.2 [6.8] 2.6	34.3 [10.0] 31.4 [9.2] 2.6	33.2 [9.7] 27.8 [8.1] 2.6	32.7 [9.6] 26.2 [7.7] 2.6
	100 [37.8]	Total BTUH [kW] Sens BTUH [kW] Power	39.0 [11.4] 23.5 [6.9] 2.8	37.7 [11.0] 20.3 [5.9] 2.8	37.1 [10.9] 18.9 [5.5] 2.8	35.7 [10.5] 27.3 [8.0] 2.8	34.5 [10.1] 23.9 [7.0] 2.8	34.0 [10.0] 22.5 [6.6] 2.8	32.9 [9.6] 30.5 [8.9] 2.8	31.8 [9.3] 2.07 [7.9] 2.8	31.3 [9.2] 25.4 [7.4] 2.8
	105 [40.6]	Total BTUH [kW] Sens BTUH [kW] Power	37.5 [11.0] 22.5 [6.6] 3.0	36.3 [10.6] 19.5 [5.7] 3.0	35.7 [10.5] 18.1 [5.3] 2.9	34.2 [10.0] 26.3 [7.7] 3.0	33.1 [9.7] 23.1 [6.8] 3.0	32.6 [9.6] 21.7 [6.4] 2.9	31.4 [9.2] 29.5 [8.6] 3.0	30.4 [8.9] 26.2 [7.7] 3.0	29.9 [8.8] 24.7 [7.2] 2.9
	110 [43.3]	Total BTUH [kW] Sens BTUH [kW] Power	36.0 [10.5] 21.5 [6.3] 3.2	34.8 [10.2] 18.6 [5.4] 3.2	34.3 [10.0] 17.4 [5.1] 3.1	32.7 [9.6] 25.3 [7.4] 3.2	31.6 [9.3] 22.2 [6.5] 3.2	31.1 [9.1] 20.8 [6.1] 3.1	29.9 [8.8] 28.7 [8.4] 3.2	28.9 [8.5] 25.4 [7.4] 3.1	28.5 [8.4] 24.0 [7.0] 3.1
	115 [46.1]	Total BTUH [kW] Sens BTUH [kW] Power	34.5 [10.1] 20.5 [6.0] 3.4	33.3 [9.8] 17.7 [5.2] 3.4	32.8 [9.6] 16.5 [4.8] 3.3	31.1 [9.1] 24.2 [7.1] 3.4	30.1 [8.8] 21.3 [6.2] 3.4	29.7 [8.7] 20.1 [5.9] 3.3	28.3 [8.3] 27.6 [8.1] 3.4	27.4 [8.0] 24.5 [7.2] 3.3	27.0 [7.9] 23.1 [6.8] 3.3

DR —Depression ratio  
dbE —Entering air dry bulb  
wbE —Entering air wet bulb

Total —Total capacity x 1000 BTUH  
Sens —Sensible capacity x 1000 BTUH  
Power —KW input

NOTES: ① When the entering air dry bulb is other than 80°F [27°C], adjust the sensible capacity from the table by adding [1.10 x CFM x (1 – DR) x (dbE – 80)].

[ ] Designates Metric Conversions

### GROSS SYSTEMS PERFORMANCE DATA—RACA15042B

		ENTERING INDOOR AIR @ 80°F [26.7°C] dbE ①									
wbE		71°F [21.7°C]			67°F [19.4°C]			63°F [17.2°C]			
CFM [L/s]		1430 [675]	1200 [566]	1100 [519]	1430 [675]	1200 [566]	1100 [519]	1430 [675]	1200 [566]	1100 [519]	
DR ①		0.04	0.08	0.11	0.04	0.08	0.11	0.04	0.08	0.11	
OUTDOOR DRY BULB TEMPERATURE °F [°C]	75 [23.9]	Total BTUH [kW] Sens BTUH [kW] Power	52.7 [15.4] 32.5 [9.5] 2.5	50.9 [14.9] 28.0 [8.2] 2.4	50.2 [14.7] 26.2 [7.7] 2.4	49.2 [14.4] 37.3 [10.9] 2.5	47.6 [13.9] 32.6 [9.6] 2.4	46.8 [13.7] 30.6 [9.0] 2.4	46.0 [13.5] 41.2 [12.1] 2.4	44.5 [13.0] 36.3 [10.6] 2.4	43.8 [12.8] 34.2 [10.0] 2.4
	80 [26.7]	Total BTUH [kW] Sens BTUH [kW] Power	51.2 [15.0] 31.8 [9.3] 2.6	49.5 [14.5] 27.5 [8.1] 2.6	48.7 [14.3] 25.7 [7.5] 2.5	47.7 [14.0] 36.7 [10.8] 2.6	46.1 [13.5] 32.1 [9.4] 2.5	45.4 [13.3] 30.2 [8.8] 2.5	44.5 [13.0] 40.6 [11.9] 2.6	43 [12.6] 35.8 [10.5] 2.5	42.3 [12.4] 33.7 [9.9] 2.5
	85 [29.4]	Total BTUH [kW] Sens BTUH [kW] Power	49.6 [14.5] 31.0 [9.1] 2.7	48.0 [14.1] 26.9 [7.9] 2.7	47.2 [13.8] 25.1 [7.4] 2.7	46.1 [13.5] 36.0 [10.5] 2.7	44.6 [13.1] 31.5 [9.2] 2.7	43.9 [12.9] 29.6 [8.7] 2.7	42.9 [12.6] 39.8 [11.7] 2.7	41.5 [12.2] 35.1 [10.3] 2.7	40.8 [12.0] 33.1 [9.7] 2.7
	90 [32.2]	Total BTUH [kW] Sens BTUH [kW] Power	48.0 [14.1] 30.3 [8.9] 2.9	46.4 [13.6] 26.2 [7.7] 2.8	45.7 [13.4] 24.5 [7.2] 2.8	44.5 [13.0] 35.1 [10.3] 2.9	43.0 [12.6] 30.7 [9.0] 2.8	42.4 [12.4] 28.9 [8.5] 2.8	41.3 [12.1] 39.0 [11.4] 2.9	39.9 [11.7] 34.4 [10.1] 2.8	39.3 [11.5] 32.5 [9.5] 2.8
	95 [35]	Total BTUH [kW] Sens BTUH [kW] Power	46.4 [13.6] 29.3 [8.6] 3.1	44.8 [13.1] 25.3 [7.4] 3.0	44.2 [13.0] 23.7 [6.9] 3.0	42.9 [12.6] 34.2 [10.0] 3.1	41.5 [12.2] 30.0 [8.8] 3.0	40.8 [12.0] 28.2 [8.3] 3.0	39.7 [11.6] 38.1 [11.2] 3.0	38.4 [11.3] 33.7 [9.9] 3.0	37.8 [11.1] 31.8 [9.3] 3.0
	100 [37.8]	Total BTUH [kW] Sens BTUH [kW] Power	44.8 [13.1] 28.4 [8.3] 3.2	43.3 [12.7] 24.6 [7.2] 3.2	42.6 [12.5] 23.0 [6.7] 3.2	41.3 [12.1] 33.2 [9.7] 3.2	39.9 [11.7] 29.1 [8.5] 3.2	39.3 [11.5] 27.4 [8.0] 3.2	38.1 [11.2] 37.2 [10.9] 3.2	36.8 [10.8] 32.8 [9.6] 3.2	36.2 [10.6] 30.9 [9.1] 3.1
	105 [40.6]	Total BTUH [kW] Sens BTUH [kW] Power	43.1 [12.6] 27.2 [8.0] 3.4	41.6 [12.2] 23.5 [6.9] 3.4	41.0 [12.0] 22.0 [6.4] 3.4	39.6 [11.6] 32.1 [9.4] 3.4	38.3 [11.2] 28.2 [8.3] 3.4	37.7 [11.0] 26.5 [7.8] 3.3	36.4 [10.7] 36.0 [10.5] 3.4	35.2 [10.3] 31.8 [9.3] 3.4	34.6 [10.1] 30.0 [8.8] 3.3
	110 [43.3]	Total BTUH [kW] Sens BTUH [kW] Power	41.4 [12.1] 26.0 [7.6] 3.6	40.0 [11.7] 22.5 [6.6] 3.6	39.4 [11.5] 21.0 [6.2] 3.6	37.9 [11.1] 30.9 [9.1] 3.6	36.6 [10.7] 27.1 [7.9] 3.6	36.0 [10.5] 25.5 [7.5] 3.5	34.7 [10.2] 34.7 [10.2] 3.6	33.5 [9.8] 30.7 [9.0] 3.6	33.0 [9.7] 29.0 [8.5] 3.5
	115 [46.1]	Total BTUH [kW] Sens BTUH [kW] Power	39.6 [11.6] 24.7 [7.2] 3.9	38.3 [11.2] 21.4 [6.3] 3.8	37.7 [11.0] 20.0 [5.9] 3.8	36.1 [10.6] 29.5 [8.6] 3.9	34.9 [10.2] 25.9 [7.6] 3.8	34.4 [10.1] 24.4 [7.1] 3.8	32.9 [9.6] 32.9 [9.6] 3.8	31.8 [9.3] 29.6 [8.7] 3.8	31.3 [9.2] 28.0 [8.2] 3.8

DR —Depression ratio  
dbE —Entering air dry bulb  
wbE—Entering air wet bulb

Total —Total capacity x 1000 BTUH  
Sens —Sensible capacity x 1000 BTUH  
Power —kW input

NOTES: ① When the entering air dry bulb is other than 80°F [27°C], adjust the sensible capacity from the table by adding [1.10 x CFM x (1 - DR) x (dbE - 80)].

[ ] Designates Metric Conversions

## GROSS SYSTEMS PERFORMANCE DATA – RACA15048A

ENTERING INDOOR AIR @ 80°F [26.7°C] dbE ①											
wbE		71°F [21.7°C]			67°F [19.4°C]			63°F [17.2°C]			
CFM [L/s]		1700 [802]	1550 [732]	1320 [623]	1700 [802]	1550 [732]	1320 [623]	1700 [802]	1550 [732]	1320 [623]	
DR ①		0.19	0.18	0.15	0.19	0.18	0.15	0.19	0.18	0.15	
OUTDOOR DRY BULB TEMPERATURE °F [°C]	75 [23.9]	Total BTUH [kW] Sens BTUH [kW] Power	58.3 [17.1] 33.2 [9.7] 2.7	57.3 [16.8] 31.8 [9.3] 2.6	55.8 [16.3] 29.6 [8.7] 2.6	54.6 [16.0] 39.2 [11.5] 2.7	53.7 [15.7] 37.5 [11.0] 2.6	52.2 [15.3] 34.9 [10.2] 2.6	51.6 [15.1] 44.7 [13.1] 2.6	50.7 [14.9] 42.8 [12.5] 2.6	49.3 [14.5] 39.8 [11.7] 2.6
	80 [26.7]	Total BTUH [kW] Sens BTUH [kW] Power	56.8 [16.7] 32.5 [9.5] 2.8	55.8 [16.4] 31.1 [9.1] 2.8	54.3 [15.9] 28.9 [8.5] 2.8	53.1 [15.6] 38.5 [11.3] 2.8	52.2 [15.3] 36.8 [10.8] 2.8	50.8 [14.9] 34.3 [10.0] 2.7	50.1 [14.7] 44.0 [12.9] 2.8	49.2 [14.4] 42.1 [12.3] 2.8	47.9 [14.0] 39.2 [11.5] 2.7
	85 [29.4]	Total BTUH [kW] Sens BTUH [kW] Power	55.3 [16.2] 31.7 [9.3] 3.0	54.3 [15.9] 30.3 [8.9] 2.9	52.8 [15.5] 28.2 [8.3] 2.9	51.5 [15.1] 37.7 [11.0] 2.9	50.6 [14.8] 36.0 [10.6] 2.9	49.3 [14.4] 33.6 [9.8] 2.9	48.5 [14.2] 43.2 [12.7] 2.9	47.7 [14.0] 41.3 [12.1] 2.9	46.4 [13.6] 38.4 [11.3] 2.9
	90 [32.2]	Total BTUH [kW] Sens BTUH [kW] Power	53.6 [15.7] 30.8 [9.0] 3.1	52.7 [15.4] 29.5 [8.6] 3.1	51.3 [15.0] 27.4 [8.0] 3.1	49.9 [14.6] 36.8 [10.8] 3.1	49.0 [14.4] 35.2 [10.3] 3.1	47.7 [14.0] 32.8 [9.6] 3.0	46.9 [13.7] 42.3 [12.4] 3.1	46.1 [13.5] 40.5 [11.9] 3.1	44.8 [13.1] 37.7 [11.0] 3.0
	95 [35]	Total BTUH [kW] Sens BTUH [kW] Power	51.9 [15.2] 29.9 [8.8] 3.3	51.0 [14.9] 28.6 [8.4] 3.3	49.6 [14.5] 26.6 [7.8] 3.2	48.2 [14.1] 35.9 [10.5] 3.3	47.3 [13.9] 34.3 [10.1] 3.3	46.1 [13.5] 32.0 [9.4] 3.2	45.2 [13.2] 41.4 [12.1] 3.3	44.4 [13.0] 39.6 [11.6] 3.3	43.2 [12.7] 36.8 [10.8] 3.2
	100 [37.8]	Total BTUH [kW] Sens BTUH [kW] Power	50.1 [14.7] 28.9 [8.5] 3.5	49.2 [14.4] 27.6 [8.1] 3.5	47.9 [14.0] 25.7 [7.5] 3.4	46.4 [13.6] 34.9 [10.2] 3.5	45.6 [13.4] 33.4 [9.8] 3.5	44.3 [13.0] 31.1 [9.1] 3.4	43.4 [12.7] 40.4 [11.8] 3.5	42.6 [12.5] 38.6 [11.3] 3.4	41.5 [12.2] 36.0 [10.5] 3.4
	105 [40.6]	Total BTUH [kW] Sens BTUH [kW] Power	48.2 [14.1] 27.8 [8.2] 3.7	47.4 [13.9] 26.6 [7.8] 3.7	46.1 [13.5] 24.8 [7.3] 3.6	44.5 [13.0] 33.8 [9.9] 3.7	43.7 [12.8] 32.4 [9.5] 3.7	42.6 [12.5] 30.1 [8.8] 3.6	41.5 [12.2] 39.3 [11.5] 3.7	40.8 [12.0] 37.6 [11.0] 3.7	39.7 [11.6] 35.0 [10.3] 3.6
	110 [43.3]	Total BTUH [kW] Sens BTUH [kW] Power	46.3 [13.6] 26.7 [7.8] 3.9	45.5 [13.3] 25.6 [7.5] 3.9	44.3 [13.0] 23.8 [7.0] 3.9	42.6 [12.5] 32.7 [9.6] 3.9	41.9 [12.3] 31.3 [9.2] 3.9	40.7 [11.9] 29.1 [8.5] 3.8	39.6 [11.6] 38.2 [11.2] 3.9	38.9 [11.4] 36.6 [10.7] 3.9	37.9 [11.1] 34.0 [10.0] 3.8
	115 [46.1]	Total BTUH [kW] Sens BTUH [kW] Power	44.3 [13.0] 25.5 [7.5] 4.2	43.5 [12.8] 24.4 [7.2] 4.2	42.4 [12.4] 22.7 [6.7] 4.1	40.6 [11.9] 31.6 [9.2] 4.2	39.9 [11.7] 30.2 [8.8] 4.1	38.8 [11.4] 28.1 [8.2] 4.1	37.6 [11.0] 37.1 [10.9] 4.2	36.9 [10.8] 35.5 [10.4] 4.1	35.9 [10.5] 33.0 [9.7] 4.1
	120 [48.9]	Total BTUH [kW] Sens BTUH [kW] Power	42.2 [12.4] 24.3 [7.1] 4.4	41.5 [12.2] 23.3 [6.8] 4.4	40.4 [11.8] 21.7 [6.3] 4.3	38.5 [11.3] 30.3 [8.9] 4.4	37.9 [11.1] 29.0 [8.5] 4.4	36.8 [10.8] 27.0 [7.9] 4.3	35.5 [10.4] 35.5 [10.4] 4.4	34.9 [10.2] 34.3 [10.0] 4.4	34.0 [10.0] 31.9 [9.3] 4.3
	125 [51.7]	Total BTUH [kW] Sens BTUH [kW] Power	40.1 [11.8] 23.0 [6.7] 4.7	39.4 [11.5] 22.0 [6.5] 4.7	38.3 [11.2] 20.5 [6.0] 4.6	36.4 [10.7] 29.0 [8.5] 4.7	35.7 [10.5] 27.8 [8.1] 4.6	34.8 [10.2] 25.9 [7.6] 4.6	33.4 [9.8] 33.4 [9.8] 4.7	32.8 [9.6] 32.8 [9.6] 4.6	31.9 [9.4] 30.8 [9.0] 4.6

DR —Depression ratio  
dbE —Entering air dry bulb  
wbE—Entering air wet bulb

Total —Total capacity x 1000 BTUH  
Sens —Sensible capacity x 1000 BTUH  
Power —KW input

NOTES: ① When the entering air dry bulb is other than 80°F [27°C], adjust the sensible capacity from the table by adding  $[1.10 \times \text{CFM} \times (1 - \text{DR}) \times (\text{dbE} - 80)]$ .

[ ] Designates Metric Conversions

## GROSS SYSTEMS PERFORMANCE DATA—RACA15060A

		ENTERING INDOOR AIR @ 80°F [26.7°C] dbE ①									
wbE		71°F [21.7°C]			67°F [19.4°C]			63°F [17.2°C]			
CFM [L/s]		2040 [963]	1850 [873]	1570 [741]	2040 [963]	1850 [873]	1570 [741]	2040 [963]	1850 [873]	1570 [741]	
DR ①		0.15	0.14	0.11	0.15	0.14	0.11	0.15	0.14	0.11	
OUTDOOR DRY BULB TEMPERATURE °F [°C]	75 [23.9]	Total BTUH [kW] Sens BTUH [kW] Power	73.0 [21.4] 42.4 [12.4] 3.6	71.7 [21.0] 40.5 [11.9] 3.6	69.7 [20.4] 37.6 [11.0] 3.5	69.2 [20.3] 50.0 [14.6] 3.6	67.9 [19.9] 47.7 [14.0] 3.5	66.0 [19.3] 44.3 [13.0] 3.5	65.8 [19.3] 56.9 [16.7] 3.5	64.6 [18.9] 54.3 [15.9] 3.5	62.8 [18.4] 50.5 [14.8] 3.4
	80 [26.7]	Total BTUH [kW] Sens BTUH [kW] Power	70.9 [20.8] 41.3 [12.1] 3.8	69.6 [20.4] 39.4 [11.6] 3.7	67.7 [19.8] 36.6 [10.7] 3.7	67.1 [19.6] 48.8 [14.3] 3.7	65.8 [19.3] 46.6 [13.7] 3.7	64.0 [18.8] 43.3 [12.7] 3.6	63.7 [18.7] 55.8 [16.4] 3.7	62.5 [18.3] 53.2 [15.6] 3.7	60.8 [17.8] 49.5 [14.5] 3.6
	85 [29.4]	Total BTUH [kW] Sens BTUH [kW] Power	68.8 [20.2] 40.1 [11.8] 4.0	67.6 [19.8] 38.3 [11.2] 3.9	65.7 [19.3] 35.6 [10.4] 3.9	64.9 [19.0] 47.7 [14.0] 3.9	63.7 [18.7] 45.5 [13.3] 3.9	62.0 [18.2] 42.3 [12.4] 3.8	61.5 [18.0] 54.6 [16.0] 3.9	60.4 [17.7] 52.1 [15.3] 3.8	58.8 [17.2] 48.5 [14.2] 3.8
	90 [32.2]	Total BTUH [kW] Sens BTUH [kW] Power	66.7 [19.5] 38.9 [11.4] 4.2	65.4 [19.2] 37.2 [10.9] 4.1	63.6 [18.6] 34.5 [10.1] 4.1	62.8 [18.4] 46.5 [13.6] 4.1	61.6 [18.1] 44.3 [13.0] 4.1	59.9 [17.6] 41.2 [12.1] 4.0	59.4 [17.4] 53.4 [15.7] 4.1	58.3 [17.1] 51.0 [14.9] 4.0	56.7 [16.6] 47.4 [13.9] 4.0
	95 [35]	Total BTUH [kW] Sens BTUH [kW] Power	64.5 [18.9] 37.7 [11.0] 4.4	63.3 [18.5] 36.0 [10.5] 4.3	61.5 [18.0] 33.4 [9.8] 4.3	60.6 [17.7] 45.2 [13.3] 4.3	59.5 [17.4] 43.2 [12.6] 4.3	57.8 [16.9] 40.1 [11.8] 4.2	57.2 [16.8] 52.2 [15.3] 4.3	56.1 [16.5] 49.8 [14.6] 4.3	54.6 [16.0] 46.3 [13.6] 4.2
	100 [37.8]	Total BTUH [kW] Sens BTUH [kW] Power	62.2 [18.2] 36.4 [10.7] 4.6	61.1 [17.9] 34.7 [10.2] 4.6	59.4 [17.4] 32.3 [9.5] 4.5	58.3 [17.1] 43.9 [12.9] 4.6	57.3 [16.8] 41.9 [12.3] 4.5	55.7 [16.3] 39.0 [11.4] 4.5	55.0 [16.1] 50.9 [14.9] 4.5	54.0 [15.8] 48.6 [14.2] 4.5	52.5 [15.4] 45.1 [13.2] 4.4
	105 [40.6]	Total BTUH [kW] Sens BTUH [kW] Power	60.0 [17.6] 35.1 [10.3] 4.9	58.9 [17.3] 33.5 [9.8] 4.8	57.3 [16.8] 31.1 [9.1] 4.8	56.1 [16.4] 42.6 [12.5] 4.8	55.1 [16.1] 40.7 [11.9] 4.8	53.5 [15.7] 37.8 [11.1] 4.7	52.7 [15.4] 49.6 [14.5] 4.8	51.8 [15.2] 47.3 [13.9] 4.8	50.3 [14.7] 44.0 [12.9] 4.7
	110 [43.3]	Total BTUH [kW] Sens BTUH [kW] Power	57.7 [16.9] 33.7 [9.9] 5.2	56.6 [16.6] 32.2 [9.4] 5.1	55.1 [16.1] 29.9 [8.8] 5.0	53.8 [15.8] 41.2 [12.1] 5.1	52.8 [15.5] 39.3 [11.5] 5.1	51.4 [15.1] 36.6 [10.7] 5.0	50.4 [14.8] 48.2 [14.1] 5.1	49.5 [14.5] 46.0 [13.5] 5.0	48.1 [14.1] 42.7 [12.5] 5.0
	115 [46.1]	Total BTUH [kW] Sens BTUH [kW] Power	55.4 [16.2] 32.3 [9.5] 5.4	54.4 [15.9] 30.8 [9.0] 5.4	52.9 [15.5] 28.6 [8.4] 5.3	51.5 [15.1] 39.8 [11.7] 5.4	50.5 [14.8] 38.0 [11.1] 5.4	49.2 [14.4] 35.3 [10.3] 5.3	48.1 [14.1] 46.8 [13.7] 5.4	47.2 [13.8] 44.6 [13.1] 5.3	45.9 [13.5] 41.5 [12.2] 5.2
	120 [48.9]	Total BTUH [kW] Sens BTUH [kW] Power	53.0 [15.5] 30.8 [9.0] 5.8	52.1 [15.3] 29.4 [8.6] 5.7	50.6 [14.8] 27.3 [8.0] 5.6	49.1 [14.4] 38.4 [11.2] 5.7	48.2 [14.1] 36.6 [10.7] 5.7	46.9 [13.7] 34.0 [10.0] 5.6	45.8 [13.4] 45.3 [13.3] 5.7	44.9 [13.2] 43.2 [12.7] 5.6	43.7 [12.8] 40.2 [11.8] 5.5
125 [51.7]	Total BTUH [kW] Sens BTUH [kW] Power	50.7 [14.8] 29.3 [8.6] 6.1	49.7 [14.6] 28.0 [8.2] 6.0	48.4 [14.2] 26.0 [7.6] 6.0	46.8 [13.7] 36.9 [10.8] 6.0	45.9 [13.5] 35.2 [10.3] 6.0	44.6 [13.1] 32.7 [9.6] 5.9	43.4 [12.7] 43.4 [12.7] 6.0	42.6 [12.5] 41.8 [12.3] 6.0	41.4 [12.1] 38.9 [11.4] 5.9	

DR —Depression ratio  
dbE —Entering air dry bulb  
wbE—Entering air wet bulb

Total —Total capacity x 1000 BTUH  
Sens —Sensible capacity x 1000 BTUH  
Power —KW input

NOTES: ① When the entering air dry bulb is other than 80°F [27°C], adjust the sensible capacity from the table by adding [1.10 x CFM x (1 – DR) x (dbE – 80)].

[ ] Designates Metric Conversions

**INDOOR AIRFLOW PERFORMANCE RACA14 - 208/230 VOLTS**

Nominal Cooling Capacity Tons [kW]	Motor Speed from Factory		Manufacturer Recommended Cooling Airflow (Min/Max)	Blower Size / Motor HP [W] & # of Speeds	Motor Speed / Tap	External Static Pressure - Inches W.C. [kPa] (Side Discharge-Dry Coil)											
	Cool	Heat				0.1 [.02]	0.2 [.05]	0.3 [.07]	0.4 [.10]	0.5 [.12]	0.6 [.15]	0.7 [.17]	0.8 [.20]	0.9 [.22]	1.0 [.25]		
2.0 [7.03]	Tap 3	Tap 3	700 CFM/ 950 CFM	10X9 Blower 1/3 HP [249] 3 Speed (Constant Torque)	Tap 1 Low	CFM	917 [433]	865 [408]	826 [390]	771 [364]	730 [345]	677 [320]	628 [296]	596 [281]			
						RPM	772	810	860	905	945	985	1013	1052			
						Watts	142	149	159	164	175	177	180	189			
2.5 [8.79]	Tap 3	Tap 3	850 CFM/ 1150 CFM	10X9 Blower 1/3 HP [249] 3 Speed (Constant Torque)	Tap 2 Medium	CFM	931 [439]	880 [415]	854 [403]	795 [375]	743 [351]	694 [328]	655 [309]	608 [287]			
						RPM	789	1425	874	921	965	1002	1041	1070			
						Watts	155	159	170	176	185	188	196	200			
3.0 [10.55]	Tap 3	Tap 3	1000 CFM/ 1400 CFM	12x9T Blower 1/2 HP [372] 3 Speed (Constant Torque)	Tap 3 High	CFM	1005 [474]	956 [451]	916 [432]	878 [414]	808 [381]	778 [367]	734 [346]	698 [329]			
						RPM	822	872	907	954	998	1036	1070	1103			
						Watts	178	192	198	208	212	224	224	234			
3.5 [12.31]	Tap 3	Tap 3	1200 CFM/ 1600 CFM	12x9T Blower 3/4 HP [559] 3 Speed (Constant Torque)	Tap 1 Low	CFM	917 [433]	865 [408]	826 [390]	771 [364]	730 [345]	677 [320]	628 [296]	596 [281]			
						RPM	772	810	860	905	945	985	1013	1052			
						Watts	142	149	159	164	175	177	180	189			
3.5 [12.31]	Tap 3	Tap 3	1200 CFM/ 1600 CFM	12x9T Blower 3/4 HP [559] 3 Speed (Constant Torque)	Tap 2 Medium	CFM	1013 [478]	980 [463]	939 [443]	893 [421]	864 [408]	792 [374]	752 [355]	687 [324]			
						RPM	820	854	901	934	976	1022	1064	1097			
						Watts	171	177	187	190	202	207	217	222			
3.5 [12.31]	Tap 3	Tap 3	1200 CFM/ 1600 CFM	12x9T Blower 3/4 HP [559] 3 Speed (Constant Torque)	Tap 3 High	CFM	1227 [579]	1180 [557]	1160 [547]	1123 [530]	1090 [514]	1054 [497]	1008 [476]	882 [416]			
						RPM	930	976	1006	1029	1065	1089	1124	1154			
						Watts	264	276	288	291	300	305	311	292			
3.5 [12.31]	Tap 3	Tap 3	1200 CFM/ 1600 CFM	12x9T Blower 3/4 HP [559] 3 Speed (Constant Torque)	Tap 1 Low	CFM	1108 [523]	1081 [510]	1040 [491]	951 [449]	916 [432]	857 [404]	776 [366]	722 [341]			
						RPM	713	752	796	845	873	920	966	1001			
						Watts	188	199	213	222	229	241	252	261			
3.5 [12.31]	Tap 3	Tap 3	1200 CFM/ 1600 CFM	12x9T Blower 3/4 HP [559] 3 Speed (Constant Torque)	Tap 2 Medium	CFM	1169 [552]	1115 [526]	1086 [513]	1047 [494]	983 [464]	931 [439]	855 [404]	784 [370]			
						RPM	749	803	819	856	901	938	985	1029			
						Watts	217	231	233	246	259	266	277	289			
3.5 [12.31]	Tap 3	Tap 3	1200 CFM/ 1600 CFM	12x9T Blower 3/4 HP [559] 3 Speed (Constant Torque)	Tap 3 High	CFM	1434 [677]	1419 [670]	1387 [655]	1340 [632]	1310 [618]	1258 [594]	1198 [565]	1160 [547]			
						RPM	866	882	920	944	981	1008	1051	1078			
						Watts	372	377	390	399	413	421	426	443			
3.5 [12.31]	Tap 3	Tap 3	1200 CFM/ 1600 CFM	12x9T Blower 3/4 HP [559] 3 Speed (Constant Torque)	Tap 1 Low	CFM	1336 [631]	1312 [619]	1295 [611]	1241 [586]	1200 [566]	1161 [548]	1119 [528]	1072 [506]			
						RPM	827	856	874	913	949	983	1013	1048			
						Watts	298	308	313	325	341	352	361	374			
3.5 [12.31]	Tap 3	Tap 3	1200 CFM/ 1600 CFM	12x9T Blower 3/4 HP [559] 3 Speed (Constant Torque)	Tap 2 Medium	CFM	1336 [631]	1312 [619]	1295 [611]	1241 [586]	1200 [566]	1161 [548]	1119 [528]	1072 [506]			
						RPM	827	856	874	913	949	983	1013	1048			
						Watts	298	308	313	325	341	352	361	374			
3.5 [12.31]	Tap 3	Tap 3	1200 CFM/ 1600 CFM	12x9T Blower 3/4 HP [559] 3 Speed (Constant Torque)	Tap 3 High	CFM	1591 [751]	1563 [738]	1558 [735]	1519 [717]	1490 [703]	1458 [688]	1410 [665]	1363 [643]			
						RPM	949	981	999	1027	1051	1086	1109	1129			
						Watts	476	490	501	515	527	542	546	543			

**NOTES:** (1) For constant torque motors: Use motor taps 3-5 to achieve rated airflow at AHRI minimum External Static Pressure.

[ ] Designates Metric Conversions

**INDOOR AIRFLOW PERFORMANCE RACA14 - 208/230 VOLTS (continued)**

Nominal Cooling Capacity Tons [kW]	Motor Speed from Factory		Manufacturer Recommended Cooling Airflow (Min/Max)	Blower Size/ Motor HP [W] & # of Speeds	Motor Speed / Tap	External Static Pressure - Inches W.C. [kPa] (Side Discharge-Dry Coil)														
	Cool	Heat				0.1 [.02]	0.2 [.05]	0.3 [.07]	0.4 [.10]	0.5 [.12]	0.6 [.15]	0.7 [.17]	0.8 [.20]	0.9 [.22]	1.0 [.25]					
4.0 [14.07]	Tap 3	Tap 3	1350 CFM/ 1850 CFM	12x9T Blower 3/4 HP [559] 3 Speed (Constant Torque)	Tap 1 Low	CFM	1467 [692]	1448 [683]	1404 [663]	1373 [648]	1339 [632]	1306 [616]	1250 [590]	1210 [571]	1164 [549]	1087 [513]				
						RPM	826	855	884	910	939	969	1003	1030	1067	1108				
						Watts	328	344	348	363	379	387	398	408	418	434				
	Tap 3	Tap 3	1350 CFM/ 1850 CFM		12x9T Blower 3/4 HP [559] 3 Speed (Constant Torque)	Tap 2 Medium	CFM	1634 [771]	1595 [753]	1547 [730]	1530 [722]	1487 [702]	1462 [690]	1438 [679]	1378 [650]	1352 [638]	1298 [613]			
							RPM	894	923	950	981	1000	1030	1051	1079	1106	1126			
							Watts	432	446	451	468	479	490	508	510	520	520			
Tap 3	Tap 3	1350 CFM/ 1850 CFM	12x9T Blower 3/4 HP [559] 3 Speed (Constant Torque)	Tap 3 High		CFM	1941 [916]	1915 [904]	1878 [886]	1814 [856]	1773 [837]	1709 [807]	1655 [781]	1570 [741]	1488 [702]	1374 [648]				
						RPM	1028	1047	1068	1091	1104	1113	1124	1136	1142	1147				
						Watts	708	725	729	727	717	696	673	647	618	571				
5.0 [17.59]	1st Stage Tap 2	Tap 1		1600 CFM/ 2100 CFM	12x9R Blower 1 HP [746] 5 Speed (Constant Torque)	Tap 1 Heat/ 1st Stg. Cool	CFM	1233 [582]	1158 [547]	1136 [536]	1090 [514]	1039 [490]	969 [457]	902 [426]	847 [400]	791 [373]	752 [355]			
							RPM	734	774	793	822	860	892	934	957	983	1011			
							Watts	223	231	238	248	259	269	288	284	295	306			
			Tap 2 Heat/ 1st Stg. Cool			CFM	1433 [676]	1407 [664]	1354 [639]	1329 [627]	1270 [599]	1235 [583]	1195 [564]	1137 [537]	1083 [511]	1030 [486]	983	934	892	860
						RPM	821	843	868	888	929	944	975	1004	1040	1065	1040	1004	975	934
						Watts	319	331	342	346	365	368	381	391	406	412	406	391	368	346
	Tap 3 2nd Stage Low	CFM	1768 [834]	1730 [816]		1693 [799]	1626 [767]	1599 [755]	1558 [735]	1522 [718]	1503 [709]	1444 [681]	1399 [660]	1339 [632]	1250 [590]	1164 [549]	1087 [513]			
		RPM	938	959		983	1011	1025	1052	1089	1090	1117	1134	1117	1089	1052	1011			
		Watts	520	533		541	560	563	578	599	599	605	615	605	599	578	560			
	2nd Stage Tap 4	Tap 4	Tap 4	1600 CFM/ 2100 CFM		12x9R Blower 1 HP [746] 5 Speed (Constant Torque)	Tap 4 2nd Stage Med Static Cool	CFM	1926 [909]	1890 [892]	1864 [880]	1822 [860]	1794 [847]	1758 [830]	1710 [807]	1670 [788]	1579 [745]	1493 [705]		
								RPM	999	1014	1040	1061	1079	1096	1119	1128	1138	1144		
								Watts	654	660	674	688	699	708	714	705	683	661		
Tap 5 2nd Stage High Static Cool					CFM		2096 [989]	2057 [971]	2003 [945]	1951 [921]	1890 [892]	1819 [858]	1756 [829]	1686 [796]	1610 [760]	1498 [707]	1374 [648]	1250 [590]	1164 [549]	1087 [513]
					RPM		1069	1092	1106	1116	1121	1129	1138	1140	1148	1154	1148	1140	1138	1129
					Watts		829	846	840	822	807	782	768	730	708	679	679	708	730	768

NOTES: (1) For constant torque motors. Use motor taps 3-5 to achieve rated airflow at AHRI minimum External Static Pressure.

DOWN DISCHARGE PRESSURE DROP (ADD TO EXTERNAL STATIC PRESSURE)				
CFM [L/s]	800 [378]	1000 [472]	1200 [566]	2000 [944]
Pressure Drop—Includes W.C. [kPa]	.02 [.005]	.05 [.012]	.07 [.017]	.17 [.042]

[ ] Designates Metric Conversions

# INDOOR AIRFLOW PERFORMANCE RACA15 - 208/230 VOLTS

Nominal Cooling Capacity Tons [kW]	Motor Speed from Factory		Manufacturer Recommended Cooling Airflow (Min/Max)	Blower Size/ Motor HP [W] & # of Speeds	Motor Speed / Tap	External Static Pressure - Inches W.C. [kPa] (Side Discharge-Dry Coil)											
	Cool	Heat				0.1 [.02]	0.2 [.05]	0.3 [.07]	0.4 [.10]	0.5 [.12]	0.6 [.15]	0.7 [.17]	0.8 [.20]	0.9 [.22]	1.0 [.25]		
2.0 [7.03]	Tap 3	Tap 3	700 CFM/ 950 CFM	10X9 Blower 1/3 HP [249] 3 Speed (Constant Torque)	Tap 1 Low	CFM	917 [433]	865 [408]	826 [390]	771 [364]	730 [345]	677 [320]	628 [296]	596 [281]			
						RPM	772	810	860	905	945	985	1013	1062			
						Watts	142	149	159	164	175	177	180	189			
2.5 [8.79]	Tap 3	Tap 3	850 CFM/ 1150 CFM	10X9 Blower 1/3 HP [249] 3 Speed (Constant Torque)	Tap 2 Medium	CFM	931 [439]	880 [415]	854 [403]	795 [375]	743 [351]	694 [328]	655 [309]	608 [287]			
						RPM	789	1425	874	921	965	1002	1041	1070			
						Watts	155	159	170	176	185	188	196	200			
3.0 [10.55]	Tap 3	Tap 3	1000 CFM/ 1400 CFM	12x9T Blower 1/2 HP [372] 3 Speed (Constant Torque)	Tap 3 High	CFM	1005 [474]	956 [451]	916 [432]	878 [414]	808 [381]	778 [367]	734 [346]	698 [329]			
						RPM	822	872	907	954	998	1036	1070	1103			
						Watts	178	192	198	208	212	224	224	234			
3.5 [12.31]	Tap 3	Tap 3	1200 CFM/ 1600 CFM	12x9T Blower 3/4 HP [559] 3 Speed (Constant Torque)	Tap 1 Low	CFM	917 [433]	865 [408]	826 [390]	771 [364]	730 [345]	677 [320]	628 [296]	596 [281]			
						RPM	772	810	860	905	945	985	1013	1062			
						Watts	142	149	159	164	175	177	180	189			
3.5 [12.31]	Tap 3	Tap 3	1200 CFM/ 1600 CFM	12x9T Blower 3/4 HP [559] 3 Speed (Constant Torque)	Tap 2 Medium	CFM	1013 [478]	980 [463]	939 [443]	893 [421]	864 [408]	792 [374]	752 [355]	687 [324]			
						RPM	820	854	901	934	976	1022	1064	1097			
						Watts	171	177	187	190	202	207	217	222			
3.5 [12.31]	Tap 3	Tap 3	1200 CFM/ 1600 CFM	12x9T Blower 3/4 HP [559] 3 Speed (Constant Torque)	Tap 3 High	CFM	1227 [579]	1180 [557]	1160 [547]	1123 [530]	1090 [514]	1054 [497]	1008 [476]	882 [416]			
						RPM	930	976	1006	1029	1065	1089	1124	1154			
						Watts	264	276	288	291	300	305	311	292			
3.5 [12.31]	Tap 3	Tap 3	1200 CFM/ 1600 CFM	12x9T Blower 3/4 HP [559] 3 Speed (Constant Torque)	Tap 1 Low	CFM	1108 [523]	1081 [510]	1040 [491]	951 [449]	916 [432]	857 [404]	776 [366]	722 [341]			
						RPM	713	752	796	845	873	920	966	1001			
						Watts	188	199	213	222	229	241	252	261			
3.5 [12.31]	Tap 3	Tap 3	1200 CFM/ 1600 CFM	12x9T Blower 3/4 HP [559] 3 Speed (Constant Torque)	Tap 2 Medium	CFM	1169 [552]	1115 [526]	1086 [513]	1047 [494]	983 [464]	931 [439]	855 [404]	784 [370]			
						RPM	749	803	819	856	901	938	985	1029			
						Watts	217	231	233	246	259	266	277	289			
3.5 [12.31]	Tap 3	Tap 3	1200 CFM/ 1600 CFM	12x9T Blower 3/4 HP [559] 3 Speed (Constant Torque)	Tap 3 High	CFM	1434 [677]	1419 [670]	1387 [655]	1340 [632]	1310 [618]	1258 [594]	1198 [565]	1160 [547]	1085 [512]		
						RPM	866	882	920	944	981	1008	1051	1078	1106	1131	
						Watts	372	377	390	399	413	421	426	443	445	412	
3.5 [12.31]	Tap 3	Tap 3	1200 CFM/ 1600 CFM	12x9T Blower 3/4 HP [559] 3 Speed (Constant Torque)	Tap 1 Low	CFM	1336 [631]	1312 [619]	1295 [611]	1241 [586]	1200 [566]	1161 [548]	1119 [528]	1072 [506]	1001 [472]	939 [443]	
						RPM	827	856	874	913	949	983	1013	1048	1092	1127	
						Watts	298	308	313	325	341	352	361	374	387	402	
3.5 [12.31]	Tap 3	Tap 3	1200 CFM/ 1600 CFM	12x9T Blower 3/4 HP [559] 3 Speed (Constant Torque)	Tap 2 Medium	CFM	1312	1272	1233	1188	1134	1071	1012	953	877	858	
						RPM	738	762	805	835	872	918	955	986	1013	1035	
						Watts	229	240	249	257	270	284	297	309	314	323	
3.5 [12.31]	Tap 3	Tap 3	1200 CFM/ 1600 CFM	12x9T Blower 3/4 HP [559] 3 Speed (Constant Torque)	Tap 3 High	CFM	1591 [751]	1563 [738]	1558 [735]	1519 [717]	1490 [703]	1458 [688]	1410 [665]	1363 [643]	1277 [603]	1122 [530]	
						RPM	949	981	999	1027	1051	1086	1109	1140	1158		
						Watts	476	490	501	515	527	542	546	543	522	478	

NOTES: (1) For constant torque motors: Use motor taps 3-5 to achieve rated airflow at AHRI minimum External Static Pressure.

[ ] Designates Metric Conversions

**INDOOR AIRFLOW PERFORMANCE RACA15 - 208/230 VOLTS (continued)**

Nominal Cooling Capacity Tons [kW]	Motor Speed from Factory		Manufacturer Recommended Cooling Airflow (Min/Max)	Blower Size/ Motor HP [W] & # of Speeds	Motor Speed / Tap	External Static Pressure - Inches W.C. [kPa]										
	Cool	Heat				0.1 [.02]	0.2 [.05]	0.3 [.07]	0.4 [.10]	0.5 [.12]	0.6 [.15]	0.7 [.17]	0.8 [.20]	0.9 [.22]	1.0 [.25]	
4.0 [14.07]	Tap 3	Tap 3	1350 CFM/ 1850 CFM	12x9T Blower 3/4 HP [559] 3 Speed (Constant Torque)	Tap 1 Low	CFM	1467 [692]	1448 [683]	1404 [663]	1373 [648]	1339 [632]	1306 [616]	1250 [590]	1210 [571]	1164 [549]	1087 [513]
						RPM	826	855	884	910	939	969	1003	1030	1067	1108
						Watts	328	344	348	363	379	387	398	408	418	434
4.0 [14.07]	Tap 3	Tap 3	1350 CFM/ 1850 CFM	12x9T Blower 3/4 HP [559] 3 Speed (Constant Torque)	Tap 2 Medium	CFM	1634 [771]	1595 [753]	1547 [730]	1530 [722]	1487 [702]	1462 [690]	1438 [679]	1378 [650]	1352 [638]	1298 [613]
						RPM	894	923	950	981	1000	1030	1051	1079	1106	1126
						Watts	432	446	451	468	479	490	508	510	520	520
4.0 [14.07]	Tap 3	Tap 3	1350 CFM/ 1850 CFM	12x9T Blower 3/4 HP [559] 3 Speed (Constant Torque)	Tap 3 High	CFM	1941 [916]	1915 [904]	1878 [886]	1814 [856]	1773 [837]	1709 [807]	1655 [781]	1570 [741]	1488 [702]	1374 [648]
						RPM	1028	1047	1068	1091	1104	1113	1124	1136	1142	1147
						Watts	708	725	729	727	717	696	673	647	618	571
5.0 [17.59]	1st Stage Tap 2	Tap 1	1600 CFM/ 2100 CFM	12x9R Blower 1 HP [746] 5 Speed (Constant Torque)	Tap 1 Heat/1st Stg. Cool	CFM	1233 [582]	1158 [547]	1136 [536]	1090 [514]	1039 [490]	969 [457]	902 [426]	847 [400]	791 [373]	752 [355]
						RPM	734	774	793	822	860	892	934	957	983	1011
						Watts	223	231	238	248	259	269	288	284	295	306
5.0 [17.59]	1st Stage Tap 2	Tap 1	1600 CFM/ 2100 CFM	12x9R Blower 1 HP [746] 5 Speed (Constant Torque)	Tap 2 Heat/1st Stg. Cool	CFM	1433 [676]	1407 [664]	1354 [639]	1329 [627]	1270 [599]	1235 [583]	1195 [564]	1137 [537]	1083 [511]	1030 [486]
						RPM	821	843	868	888	929	944	975	1004	1040	1065
						Watts	319	331	342	346	365	368	381	391	406	412
5.0 [17.59]	2nd Stage Tap 4	Tap 1	1600 CFM/ 2100 CFM	12x9R Blower 1 HP [746] 5 Speed (Constant Torque)	Tap 3 2nd Stage Low Static Cool	CFM	1768 [834]	1730 [816]	1693 [799]	1626 [767]	1599 [755]	1558 [735]	1522 [718]	1503 [709]	1444 [681]	1399 [660]
						RPM	938	959	983	1011	1025	1052	1089	1090	1117	1134
						Watts	520	533	541	560	563	578	599	599	605	615
5.0 [17.59]	2nd Stage Tap 4	Tap 1	1600 CFM/ 2100 CFM	12x9R Blower 1 HP [746] 5 Speed (Constant Torque)	Tap 4 2nd Stage Med Static Cool	CFM	1926 [909]	1890 [892]	1864 [880]	1822 [860]	1794 [847]	1758 [830]	1710 [807]	1670 [788]	1579 [745]	1493 [705]
						RPM	999	1014	1040	1061	1079	1096	1119	1128	1138	1144
						Watts	654	660	674	688	699	708	714	705	683	661
5.0 [17.59]	2nd Stage Tap 4	Tap 1	1600 CFM/ 2100 CFM	12x9R Blower 1 HP [746] 5 Speed (Constant Torque)	Tap 5 2nd Stage High Static Cool	CFM	2096 [989]	2057 [971]	2003 [945]	1951 [921]	1890 [892]	1819 [858]	1756 [829]	1686 [796]	1610 [760]	1498 [707]
						RPM	1069	1092	1106	1116	1121	1129	1138	1140	1148	1154
						Watts	829	846	840	822	807	782	768	730	708	679

NOTES: (1) For constant torque motors. Use motor taps 3-5 to achieve rated airflow at AHRI minimum External Static Pressure.

DOWN DISCHARGE PRESSURE DROP (ADD TO EXTERNAL STATIC PRESSURE)							
CFM [L/s]	800 [378]	1000 [472]	1200 [566]	1400 [661]	1600 [755]	1800 [849]	2000 [944]
Pressure Drop—Includes W.C. [kPa]	.02 [.005]	.05 [.012]	.07 [.017]	.1 [.025]	.12 [.030]	.15 [.037]	.17 [.042]

[ ] Designates Metric Conversions



**ELECTRICAL DATA – RACA14**

		<b>024BJT***AA</b>	<b>024BJT***AB</b>	<b>030BJT***AA</b>	<b>030BJT***AB</b>	<b>036BCT***AA</b>	<b>036BCT***AB</b>
<b>Unit Information</b>	Unit Operating Voltage Range	187-253	187-253	187-253	187-253	187-253	187-253
	Volts	208/230	208/230	208/230	208/230	208/230	208/230
	Phase	1	1	1	1	3	3
	Hz	60	60	60	60	60	60
	Minimum Circuit Ampacity	19	19	21	21	17	18
	Minimum Overcurrent Protection Device Size	25	25	25	25	20	20
	Maximum Overcurrent Protection Device Size	25	25	30	30	25	25
<b>Compressor Motor</b>	No.	1	1	1	1	1	1
	Volts	208/230	208/230	208/230	208/230	208/230	208/230
	Phase	1	1	1	1	3	3
	RPM	3450	3450	3450	3450	3450	3450
	HP, Compressor 1	2 1/6	2 1/6	2 2/3	2 2/3	3 1/3	3 1/3
	Amps (RLA), Comp. 1	11.2	11.2	12.8	12.8	9	9
	Amps (LRA), Comp. 1	60.8	60.8	64	64	71	71
	HP, Compressor 2						
	Amps (RLA), Comp. 2						
Amps (LRA), Comp. 2							
<b>Condenser Motor</b>	No.	1	1	1	1	1	1
	Volts	208/230	208/230	208/230	208/230	208/230	208/230
	Phase	1	1	1	1	1	1
	HP	1/3	1/3	1/3	1/3	1/3	1/3
	Amps (FLA, each)	1.5	1.5	1.5	1.5	1.5	1.5
	Amps (LRA, each)	3	3	3	3	3	3
<b>Evaporator Fan</b>	No.	1	1	1	1	1	1
	Volts	208/230	208/230	208/230	208/230	208/230	208/230
	Phase	1	1	1	1	1	1
	HP	1/3	1/3	1/3	1/3	1/2	1/2
	Amps (FLA, each)	2.8	2.6	2.8	2.6	4.1	4.8
	Amps (LRA, each)						

1. Horsepower Per Compressor.

2. Amp Draw Per Motor. Multiply Value By Number of Motors to Determine Total Amps.

**ELECTRICAL DATA – RACA14**

		<b>036BJT***AA</b>	<b>036BJT***AB</b>	<b>042ACT***AA</b>	<b>042ACT***AB</b>	<b>042AJT***AA</b>	<b>042AJT***AB</b>
<b>Unit Information</b>	Unit Operating Voltage Range	187-253	187-253	187-253	187-253	187-253	187-253
	Volts	208/230	208/230	208/230	208/230	208/230	208/230
	Phase	1	1	3	3	1	1
	Hz	60	60	60	60	60	60
	Minimum Circuit Ampacity	24	24	24	22	30	28
	Minimum Overcurrent Protection Device Size	30	30	30	30	35	35
	Maximum Overcurrent Protection Device Size	35	35	35	35	45	45
<b>Compressor Motor</b>	No.	1	1	1	1	1	1
	Volts	208/230	208/230	208/230	208/230	208/230	208/230
	Phase	1	1	3	3	1	1
	RPM	3450	3450	3450	3450	3450	3450
	HP, Compressor 1	3 1/3	3 1/3	3 1/2	3 1/2	3 1/2	3 1/2
	Amps (RLA), Comp. 1	14.1	14.1	13.2	13.2	17.9	17.9
	Amps (LRA), Comp. 1	77	77	88	88	112	112
	HP, Compressor 2						
	Amps (RLA), Comp. 2						
Amps (LRA), Comp. 2							
<b>Condenser Motor</b>	No.	1	1	1	1	1	1
	Volts	208/230	208/230	208/230	208/230	208/230	208/230
	Phase	1	1	1	1	1	1
	HP	1/3	1/3	1/3	1/3	1/3	1/3
	Amps (FLA, each)	1.5	1.5	1.5	1.5	1.5	1.5
	Amps (LRA, each)	3	3	3	3	3	3
<b>Evaporator Fan</b>	No.	1	1	1	1	1	1
	Volts	208/230	208/230	208/230	208/230	208/230	208/230
	Phase	1	1	1	1	1	1
	HP	1/2	1/2	3/4	3/4	3/4	3/4
	Amps (FLA, each)	4.1	4.8	6	4	6	4
	Amps (LRA, each)						

1. Horsepower Per Compressor.

2. Amp Draw Per Motor. Multiply Value By Number of Motors to Determine Total Amps.

**ELECTRICAL DATA – RACA14**

		<b>048BCT***AA</b>	<b>048BJT***AA</b>	<b>060BCT***AA</b>	<b>060BJT***AA</b>	<b>060CCT***AA</b>	<b>060CJT***AA</b>
<b>Unit Information</b>	Unit Operating Voltage Range	187-253	187-253	197-253	197-253	197-253	197-253
	Volts	208/230	208/230	208/230	208/230	208/230	208/230
	Phase	3	1	3	1	3	1
	Hz	60	60	60	60	60	60
	Minimum Circuit Ampacity	25	33	30	46	31	39
	Minimum Overcurrent Protection Device Size	30	40	35	60	35	45
	Maximum Overcurrent Protection Device Size	35	50	45	70	45	60
<b>Compressor Motor</b>	No.	1	1	1	1	1	1
	Volts	208/230	208/230	208/230	208/230	208/230	208/230
	Phase	3	1	3	1	3	1
	RPM	3450	3450	3450	3450	3450	3450
	HP, Compressor 1	4	4	5	5	5	5
	Amps (RLA), Comp. 1	13.1	19.9	16.2	28.8	16.6/16.5	22.8
	Amps (LRA), Comp. 1	83.1	109	110	152.9	110	147.4
	HP, Compressor 2						
Amps (RLA), Comp. 2							
Amps (LRA), Comp. 2							
<b>Condenser Motor</b>	No.	1	1	1	1	1	1
	Volts	208/230	208/230	208/230	208/230	208/230	208/230
	Phase	1	1	1	1	1	1
	HP	1/3	1/3	1/3	1/3	1/3	1/3
	Amps (FLA, each)	2	2	2	2	2	2
	Amps (LRA, each)	3.9	3.9	3.9	3.9	3.9	3.9
<b>Evaporator Fan</b>	No.	1	1	1	1	1	1
	Volts	208/230	208/230	208/230	208/230	208/230	208/230
	Phase	1	1	1	1	1	1
	HP	3/4	3/4	1	1	1	1
	Amps (FLA, each)	6	6	7.6	7.6	7.6	7.6
	Amps (LRA, each)						

1. Horsepower Per Compressor.

2. Amp Draw Per Motor. Multiply Value By Number of Motors to Determine Total Amps.

**ELECTRICAL DATA – RACA15**

		<b>024AJT***AA</b>	<b>024BJT***AA</b>	<b>030AJT***AA</b>	<b>036ACT***AA</b>	<b>036AJT***AA</b>	<b>036BCT***AA</b>
<b>Unit Information</b>	Unit Operating Voltage Range	187-253	187-253	187-253	187-253	187-253	187-253
	Volts	208/230	208/230	208/230	208/230	208/230	208/230
	Phase	1	1	1	3	1	3
	Hz	60	60	60	60	60	60
	Minimum Circuit Ampacity	19	18	21	17	24	19
	Minimum Overcurrent Protection Device Size	25	20	25	20	30	25
	Maximum Overcurrent Protection Device Size	25	25	30	25	35	25
<b>Compressor Motor</b>	No.	1	1	1	1	1	1
	Volts	208/230	208/230	208/230	208/230	208/230	208/230
	Phase	1	1	1	3	1	3
	RPM	3450	3450	3450	3450	3450	3450
	HP, Compressor 1	2 1/6	2	2 2/3	3 1/3	3 1/3	3
	Amps (RLA), Comp. 1	11.2	10.3	12.8	9	14.1	10.5
	Amps (LRA), Comp. 1	60.8	61.6	64	71	77	73
	HP, Compressor 2						
	Amps (RLA), Comp. 2						
Amps (LRA), Comp. 2							
<b>Condenser Motor</b>	No.	1	1	1	1	1	1
	Volts	208/230	208/230	208/230	208/230	208/230	208/230
	Phase	1	1	1	1	1	1
	HP	1/3	1/3	1/3	1/3	1/3	1/3
	Amps (FLA, each)	1.5	1.5	1.5	1.5	1.5	1.5
	Amps (LRA, each)	3	3	3	3	3	3
<b>Evaporator Fan</b>	No.	1	1	1	1	1	1
	Volts	208/230	208/230	208/230	208/230	208/230	208/230
	Phase	1	1	1	1	1	1
	HP	1/3	1/3	1/3	1/2	1/2	1/2
	Amps (FLA, each)	2.8	2.8	2.8	4.1	4.1	4.1
	Amps (LRA, each)						

1. Horsepower Per Compressor.

2. Amp Draw Per Motor. Multiply Value By Number of Motors to Determine Total Amps.

**ELECTRICAL DATA – RACA15**

		<b>036BJT***AA</b>	<b>042ACT***AA</b>	<b>042AJT***AA</b>	<b>042BCT***AA</b>	<b>042BJT***AA</b>	<b>048ACT***AA</b>
<b>Unit Information</b>	Unit Operating Voltage Range	187-253	187-253	187-253	187-253	187-253	187-253
	Volts	208/230	208/230	208/230	208/230	208/230	208/230
	Phase	1	3	1	3	1	3
	Hz	60	60	60	60	60	60
	Minimum Circuit Ampacity	25	24	30	25	32	25
	Minimum Overcurrent Protection Device Size	30	30	35	30	40	30
	Maximum Overcurrent Protection Device Size	40	35	45	35	50	35
<b>Compressor Motor</b>	No.	1	1	1	1	1	1
	Volts	208/230	208/230	208/230	208/230	208/230	208/230
	Phase	1	3	1	3	1	3
	RPM	3450	3450	3450	3450	3450	3450
	HP, Compressor 1	3	3 1/2	3 1/2	3 1/2	3 1/2	4
	Amps (RLA), Comp. 1	15.4	13.2	17.9	13.5	19.2	13.1
	Amps (LRA), Comp. 1	83.9	88	112	88	112	83.1
	HP, Compressor 2						
Amps (RLA), Comp. 2							
Amps (LRA), Comp. 2							
<b>Condenser Motor</b>	No.	1	1	1	1	1	1
	Volts	208/230	208/230	208/230	208/230	208/230	208/230
	Phase	1	1	1	1	1	1
	HP	1/3	1/3	1/3	1/3	1/3	1/3
	Amps (FLA, each)	1.5	1.5	1.5	2	1.5	2
	Amps (LRA, each)	3	3	3	3	3	3.9
<b>Evaporator Fan</b>	No.	1	1	1	1	1	1
	Volts	208/230	208/230	208/230	208/230	208/230	208/230
	Phase	1	1	1	1	1	1
	HP	1/2	3/4	3/4	3/4	3/4	3/4
	Amps (FLA, each)	4.1	6	6	6	6	6
	Amps (LRA, each)						

1. Horsepower Per Compressor.

2. Amp Draw Per Motor. Multiply Value By Number of Motors to Determine Total Amps.

**ELECTRICAL DATA – RACA15**

		048AJT***AA	048BCT***AA	048BJT***AA	060ACT***AA	060AJT***AA
<b>Unit Information</b>	Unit Operating Voltage Range	187-253	187-253	187-253	197-253	197-253
	Volts	208/230	208/230	208/230	208/230	208/230
	Phase	1	3	1	3	1
	Hz	60	60	60	60	60
	Minimum Circuit Ampacity	33	26	34	30	46
	Minimum Overcurrent Protection Device Size	40	30	40	35	60
	Maximum Overcurrent Protection Device Size	50	35	50	45	70
<b>Compressor Motor</b>	No.	1	1	1	1	1
	Volts	208/230	208/230	208/230	208/230	208/230
	Phase	1	3	1	3	1
	RPM	3450	3500	3500	3450	3450
	HP, Compressor 1	4	4	4	5	5
	Amps (RLA), Comp. 1	19.9	14	20.4	16.2	28.8
	Amps (LRA), Comp. 1	109	83.1	122.1	110	152.9
	HP, Compressor 2					
	Amps (RLA), Comp. 2					
Amps (LRA), Comp. 2						
<b>Condenser Motor</b>	No.	1	1	1	1	1
	Volts	208/230	208/230	208/230	208/230	208/230
	Phase	1	1	1	1	1
	HP	1/3	1/3	1/3	1/3	1/3
	Amps (FLA, each)	2	2	2	2	2
	Amps (LRA, each)	3.9	3.9	3.9	3.9	3.9
<b>Evaporator Fan</b>	No.	1	1	1	1	1
	Volts	208/230	208/230	208/230	208/230	208/230
	Phase	1	1	1	1	1
	HP	3/4	3/4	3/4	1	1
	Amps (FLA, each)	6	6	6	7.6	7.6
	Amps (LRA, each)					

- 1. Horsepower Per Compressor.
- 2. Amp Draw Per Motor. Multiply Value By Number of Motors to Determine Total Amps.

**Copper Wire Size – AWG (1% Voltage Drop)**

SUPPLY WIRE LENGTH-FEET	CIRCUIT AMPACITY																							
	15	20	25	30	35	40	45	50	55	60	65	70	75	80	85	90	95	100	105	110	115	120	125	
300	4	3	2	2	1	1/0	1/0	2/0	2/0	3/0	3/0	3/0	4/0	4/0	4/0	4/0	250	250	250	250	300	300	300	
250	4	4	3	3	2	1	1	1/0	1/0	2/0	2/0	2/0	3/0	3/0	3/0	4/0	4/0	4/0	4/0	4/0	250	250	250	
200	6	4	4	4	3	2	2	1	1	1/0	1/0	1/0	2/0	2/0	2/0	3/0	3/0	3/0	3/0	3/0	4/0	4/0	4/0	
150	8	6	6	4	4	4	3	3	2	2	1	1	1/0	1/0	1/0	1/0	2/0	2/0	2/0	2/0	2/0	3/0	3/0	
100	10	8	8	6	6	6	4	4	4	3	3	2	2	2	1	1	1	1	1	1/0	1/0	1/0	1/0	
50	14	12	10	10	8	8	6	6	6	4	4	4	3	3	3	2	2	2	2	2	1	1	1	

- Notes: 1. Wire size based on 60°C. type copper conductors below 100 ampacity.
- 2. Wire size based on 75°C. type copper conductors for 100 ampacity and above.

208/240 VOLT, SINGLE PHASE, 60 Hz, AUXILIARY ELECTRIC HEATER KITS CHARACTERISTICS AND APPLICATION															
Single Power Supply for Both Unit and Heater Kit			Separate Power Supply for Both Unit and Heater Kit												
Model No.	RXQJ-Heater Kit Nominal kW	No. of Sequence Steps	Heater Kit			Air Conditioner				Heater Kit			Air Conditioner		
			Rated Heater kW @ 208/240V	Heater kBTU/Hr @ 208/240V	Heater Amp @ 208/240V	Unit Min. Ampacity @ 208/240V	Over Current Protective Device Size Min./Max. @ 208V	Over Current Protective Device Size @ 240V	Min. Ckt. Ampacity 208/240V	Max. Fuse Size 208/240V	Min. Circuit Ampacity 208/240V	Over Current Protective Device Size Min./Max. @ 208V	Over Current Protective Device Size @ 240V		
RACA14024BJT***AA	No Heat	—	—	—	—	19/19	25/25	25/25	—	—	19/19	25/25	25/25	25/25	
	A05J	1	3.6/4.8	12.28/16.38	17.3/20.0	26/29	30/30	30/30	22/25	25/25	19/19	25/25	25/25	25/25	
	A08J	1	5.7/7.6	19.45/25.93	27.4/31.6	38/43	40/40	45/45	35/40	35/40	19/19	25/25	25/25	25/25	
	A10J	1	7.2/9.6	24.57/32.76	34.6/40.0	47/54	50/50	60/60	44/50	45/50	19/19	25/25	25/25	25/25	
RACA14024BJT***AB	No Heat	—	—	—	—	19/19	25/25	25/25	—	—	19/19	25/25	25/25	25/25	
	A05J	1	3.6/4.8	12.28/16.38	17.3/20.0	25/29	30/30	30/30	22/25	25/25	19/19	25/25	25/25	25/25	
	A08J	1	5.7/7.6	19.45/25.93	27.4/31.6	38/43	40/40	45/45	35/40	35/40	19/19	25/25	25/25	25/25	
	A10J	1	7.2/9.6	24.57/32.76	34.6/40.0	47/54	50/50	60/60	44/50	45/50	19/19	25/25	25/25	25/25	
RACA14030BJT***AA	No Heat	—	—	—	—	21/21	25/30	25/30	—	—	21/21	25/30	25/30	25/30	
	A05J	1	3.6/4.8	12.28/16.38	17.3/20.0	26/29	30/30	30/30	22/25	25/25	21/21	25/30	25/30	25/30	
	A08J	1	5.7/7.6	19.45/25.93	27.4/31.6	38/43	40/40	45/45	35/40	35/40	21/21	25/30	25/30	25/30	
	A10J	1	7.2/9.6	24.57/32.76	34.6/40.0	47/54	50/50	60/60	44/50	45/50	21/21	25/30	25/30	25/30	
RACA14030BJT***AB	No Heat	—	—	—	—	21/21	25/30	25/30	—	—	21/21	25/30	25/30	25/30	
	A05J	1	3.6/4.8	12.28/16.38	17.3/20.0	25/29	30/30	30/30	22/25	25/25	21/21	25/30	25/30	25/30	
	A08J	1	5.7/7.6	19.45/25.93	27.4/31.6	38/43	40/40	45/45	35/40	35/40	21/21	25/30	25/30	25/30	
	A10J	1	7.2/9.6	24.57/32.76	34.6/40.0	47/54	50/50	60/60	44/50	45/50	21/21	25/30	25/30	25/30	
RACA14036BJT***AA	No Heat	—	—	—	—	24/24	30/35	30/35	—	—	24/24	30/35	30/35	30/35	
	A05J	1	3.6/4.8	12.28/16.38	17.3/20.0	27/31	30/35	35/35	22/25	25/25	24/24	30/35	30/35	30/35	
	A08J	1	5.7/7.6	19.45/25.93	27.4/31.6	40/45	40/40	45/45	35/40	35/40	24/24	30/35	30/35	30/35	
	A10J	1	7.2/9.6	24.57/32.76	34.6/40.0	49/56	50/50	60/60	44/50	45/50	24/24	30/35	30/35	30/35	
RACA14036BJT***AB	No Heat	—	—	—	—	24/24	30/35	30/35	—	—	24/24	30/35	30/35	30/35	
	A05J	1	3.6/4.8	12.28/16.38	17.3/20.0	28/31	30/35	35/35	22/25	25/25	24/24	30/35	30/35	30/35	
	A08J	1	5.7/7.6	19.45/25.93	27.4/31.6	41/46	45/45	50/50	35/40	35/40	24/24	30/35	30/35	30/35	
	A10J	1	7.2/9.6	24.57/32.76	34.6/40.0	50/56	50/50	60/60	44/50	45/50	24/24	30/35	30/35	30/35	
RACA14042AJT***AA	No Heat	—	—	—	—	30/30	35/45	35/45	—	—	30/30	35/45	35/45	35/45	
	A05J	1	3.6/4.8	12.28/16.38	17.3/20.0	30/33	35/45	35/45	22/25	25/25	30/30	35/45	35/45	35/45	
	A08J	1	5.7/7.6	19.45/25.93	27.4/31.6	42/47	45/45	50/50	35/40	35/40	30/30	35/45	35/45	35/45	
	B10J	1	7.2/9.6	24.57/32.76	34.6/40.0	51/58	60/60	60/60	44/50	45/50	30/30	35/45	35/45	35/45	
RACA14042AJT***AB	No Heat	—	—	—	—	30/30	35/45	35/45	—	—	30/30	35/45	35/45	35/45	
	A05J	1	3.6/4.8	12.28/16.38	17.3/20.0	28/30	35/45	35/45	22/25	25/25	28/28	35/45	35/45	35/45	
	A08J	1	5.7/7.6	19.45/25.93	27.4/31.6	40/45	40/45	45/45	35/40	35/40	28/28	35/45	35/45	35/45	
	B10J	1	7.2/9.6	24.57/32.76	34.6/40.0	49/55	50/50	60/60	44/50	45/50	28/28	35/45	35/45	35/45	
RACA14042AJT***AB	No Heat	—	—	—	—	70/80	70/70	80/80	—	—	70/80	80/80	80/80	80/80	
	A05J	1	10.8/14.4	36.85/49.13	51.9/60.0	70/80	70/70	80/80	65/75	70/80	28/28	35/45	35/45	35/45	
	A08J	1	10.8/14.4	36.85/49.13	51.9/60.0	70/80	70/70	80/80	65/75	70/80	28/28	35/45	35/45	35/45	
	B15J	1	10.8/14.4	36.85/49.13	51.9/60.0	70/80	70/70	80/80	65/75	70/80	28/28	35/45	35/45	35/45	

208/240 VOLT, SINGLE PHASE, 60 Hz, AUXILIARY ELECTRIC HEATER KITS CHARACTERISTICS AND APPLICATION												
Separate Power Supply for Both Unit and Heater Kit												
Model No.	Single Power Supply for Both Unit and Heater Kit						Air Conditioner					
	RXQJ-Heater Kit Nominal kW	No. of Sequence Steps	Rated Heater kW @ 208/240V	Heater kBTU/Hr @ 208/240V	Heater Amp @ 208/240V	Unit Min. Ampacity @ 208/240V	Over Current Protective Device Size Min./Max. @ 208V	Min. Ckt. Ampacity 208/240V	Max. Fuse Size 208/240V	Min. Circuit Ampacity 208/240V	Over Current Protective Device Size Min./Max. @ 208V	Min./Max. @ 240V
RACA14048BJT***AA	No Heat	—	—	—	—	33/33	40/50	—	—	33/33	40/50	40/50
	A05J	1	3.6/4.8	12.28/16.38	17.3/20.0	33/33	40/50	22/25	25/25	33/33	40/50	40/50
	A08J	1	5.7/7.6	19.45/25.93	27.4/31.6	42/47	45/50	35/40	35/40	33/33	40/50	40/50
	B10J	1	7.2/9.6	24.57/32.76	34.6/40.0	51/58	60/60	44/50	45/50	33/33	40/50	40/50
	B15J	1	10.8/14.4	36.85/49.13	51.9/60.0	73/83	80/80	65/75	70/80	33/33	40/50	40/50
RACA14060BJT***AA	No Heat	—	—	—	—	46/46	60/70	—	—	46/46	60/70	60/70
	A05J	1	3.6/4.8	12.28/16.38	17.3/20.0	46/46	60/70	22/25	25/25	46/46	60/70	60/70
	A08J	1	5.7/7.6	19.45/25.93	27.4/31.6	46/49	60/70	35/40	35/40	46/46	60/70	60/70
	B10J	1	7.2/9.6	24.57/32.76	34.6/40.0	53/60	60/70	44/50	45/50	46/46	60/70	60/70
	B15J	1	10.8/14.4	36.85/49.13	51.9/60.0	75/85	80/80	65/75	70/80	46/46	60/70	60/70
RACA14060CJT***AA	No Heat	—	—	—	—	39/39	45/60	—	—	39/39	45/60	45/60
	A05J	1	3.6/4.8	12.28/16.38	17.3/20.0	39/39	45/60	22/25	25/25	39/39	45/60	45/60
	A08J	1	5.7/7.6	19.45/25.93	27.4/31.6	44/49	45/60	35/40	35/40	39/39	45/60	45/60
	A10J	1	7.2/9.6	24.57/32.76	34.6/40.0	53/60	60/60	44/50	45/50	39/39	45/60	45/60
	A15J	1	10.8/14.4	36.85/49.13	51.9/60.0	75/85	80/80	65/75	70/80	39/39	45/60	45/60



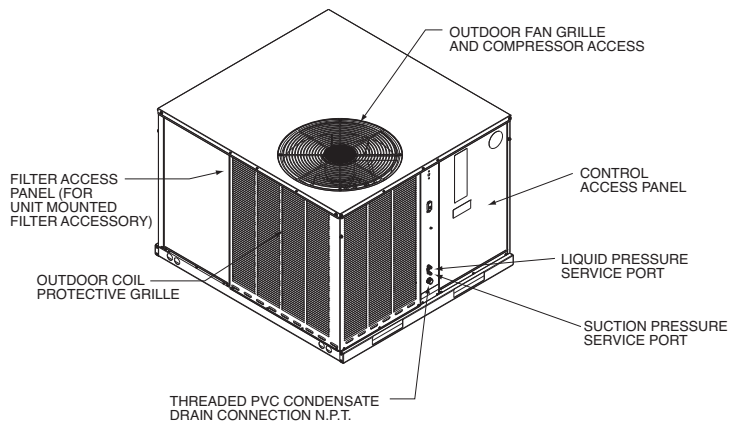
208/240 VOLT, THREE PHASE, 60 Hz, AUXILIARY ELECTRIC HEATER KITS CHARACTERISTICS AND APPLICATION													
Separate Power Supply for Both Unit and Heater Kit													
Model No.	Single Power Supply for Both Unit and Heater Kit					Air Conditioner				Heater Kit			
	RXQJ-Heater Kit Nominal kW	No. of Sequence Steps	Rated Heater kW @ 208/240V	Heater kBTU/Hr @ 208/240V	Heater Amp @ 208/240V	Unit Min. Ampacity @ 208/240V	Over Current Protective Device Size @ 240V		Min. Ckt. Ampacity 208/240V	Max. Fuse Size 208/240V	Min. Circuit Ampacity 208/240V	Over Current Protective Device Size @ 240V	
						Min./Max @ 208V	Min./Max. @ 240V				Min./Max. @ 208V	Min./Max. @ 240V	
RACA14036BCT***AA	No Heat	—	—	—	—	17/17	20/25	20/25	—	—	17/17	20/25	20/25
	A10C	1	7.2/9.6	24.57/32.76	20.0/23.1	31/34	35/35	35/35	25/29	25/30	17/17	20/25	20/25
	A15C	1	10.8/14.4	36.85/49.13	30.1/34.7	43/49	45/45	50/50	38/44	40/45	17/17	20/25	20/25
RACA14036BCT***AB	No Heat	—	—	—	—	18/18	20/25	20/25	—	—	18/18	20/25	20/25
	A10C	1	7.2/9.6	24.57/32.76	20.0/23.1	31/35	35/35	35/35	25/29	25/30	18/18	20/25	20/25
	A15C	1	10.8/14.4	36.85/49.13	30.1/34.7	44/50	45/45	50/50	38/44	40/45	18/18	20/25	20/25
RACA14042ACT***AA	No Heat	—	—	—	—	24/24	30/35	30/35	—	—	24/24	30/35	30/35
	A10C	1	7.2/9.6	24.57/32.76	20.0/23.1	33/37	35/35	40/40	25/29	25/30	24/24	30/35	30/35
	A15C	1	10.8/14.4	36.85/49.13	30.1/34.7	46/51	50/50	60/60	38/44	40/45	24/24	30/35	30/35
RACA14042ACT***AB	No Heat	—	—	—	—	22/22	30/35	30/35	—	—	22/22	30/35	30/35
	A10C	1	7.2/9.6	24.57/32.76	20.0/23.1	30/34	30/35	35/35	25/29	25/30	22/22	30/35	30/35
	A15C	1	10.8/14.4	36.85/49.13	30.1/34.7	43/49	45/45	50/50	38/44	40/45	22/22	30/35	30/35
RACA14048BCT***AA	No Heat	—	—	—	—	25/25	30/35	30/35	—	—	25/25	30/35	30/35
	A10C	1	7.2/9.6	24.57/32.76	20.0/23.1	33/37	35/35	40/40	25/29	25/30	25/25	30/35	30/35
	A15C	1	10.8/14.4	36.85/49.13	30.1/34.7	46/51	50/50	60/60	38/44	40/45	25/25	30/35	30/35
RACA14060BCT***AA	No Heat	—	—	—	—	30/30	35/45	35/45	—	—	30/30	35/45	35/45
	A10C	1	7.2/9.6	24.57/32.76	20.0/23.1	35/39	35/45	40/45	25/29	25/30	30/30	35/45	35/45
	A15C	1	10.8/14.4	36.85/49.13	30.1/34.7	48/53	50/50	60/60	38/44	40/45	30/30	35/45	35/45
RACA14060CCT***AA	No Heat	—	—	—	—	31/31	35/45	35/45	—	—	31/31	35/45	35/45
	A10C	1	7.2/9.6	24.57/32.76	20.0/23.1	35/39	35/45	40/45	25/29	25/30	31/31	35/45	35/45
	A15C	1	10.8/14.4	36.85/49.13	30.1/34.7	48/53	50/50	60/60	38/44	40/45	31/31	35/45	35/45

208/240 VOLT, SINGLE PHASE, 60 Hz, AUXILIARY ELECTRIC HEATER KITS CHARACTERISTICS AND APPLICATION													
Separate Power Supply for Both Unit and Heater Kit													
Model No.	Single Power Supply for Both Unit and Heater Kit					Heater Kit				Air Conditioner			
	RXDJ-Heater Kit Nominal kW	No. of Sequence Steps	Rated Heater kW @ 208/240V	Heater kBTU/Hr @ 208/240V	Heater Amp @ 208/240V	Unit Min. Ampacity @ 208/240V	Over Current Protective Device Size Min./Max. @ 208V	Min. Ckt. Ampacity 208/240V	Max. Fuse Size 208/240V	Min. Circuit Ampacity 208/240V	Over Current Protective Device Size Min./Max. @ 208V	Min./Max. @ 240V	Over Current Protective Device Size Min./Max. @ 240V
RACA15024AJT***AA	No Heat	—	—	—	—	19/19	25/25	—	—	19/19	25/25	25/25	25/25
	A05J	1	3.6/4.8	12.28/16.38	17.3/20.0	26/29	30/30	22/25	25/25	19/19	25/25	25/25	25/25
	A10J	1	7.2/9.6	24.57/32.76	34.6/40.0	47/54	50/50	44/50	45/50	19/19	25/25	25/25	25/25
RACA15024BJT***AA	No Heat	—	—	—	—	18/18	20/25	—	—	18/18	20/25	20/25	20/25
	A05J	1	3.6/4.8	12.28/16.38	17.3/20.0	26/29	30/30	22/25	25/25	18/18	20/25	20/25	20/25
	A08J	1	5.7/7.6	19.45/25.93	27.4/31.6	38/43	40/40	35/40	35/40	18/18	20/25	20/25	20/25
RACA15030AJT***AA	No Heat	—	—	—	—	21/21	25/30	—	—	21/21	25/30	25/30	25/30
	A05J	1	3.6/4.8	12.28/16.38	17.3/20.0	26/29	30/30	22/25	25/25	21/21	25/30	25/30	25/30
	A08J	1	5.7/7.6	19.45/25.93	27.4/31.6	38/43	40/40	35/40	35/40	21/21	25/30	25/30	25/30
RACA15036AJT***AA	No Heat	—	—	—	—	24/24	30/35	—	—	24/24	30/35	30/35	30/35
	A05J	1	3.6/4.8	12.28/16.38	17.3/20.0	27/31	30/35	22/25	25/25	24/24	30/35	30/35	30/35
	A10J	1	7.2/9.6	24.57/32.76	34.6/40.0	49/56	50/50	44/50	45/50	24/24	30/35	30/35	30/35
RACA15036BJT***AA	No Heat	—	—	—	—	24/24	30/35	—	—	24/24	30/35	30/35	30/35
	A05J	1	3.6/4.8	12.28/16.38	17.3/20.0	27/31	30/35	22/25	25/25	24/24	30/35	30/35	30/35
	A10J	1	7.2/9.6	24.57/32.76	34.6/40.0	49/56	50/50	44/50	45/50	24/24	30/35	30/35	30/35
RACA15042AJT***AA	No Heat	—	—	—	—	30/30	35/45	—	—	30/30	35/45	35/45	35/45
	A05J	1	3.6/4.8	12.28/16.38	17.3/20.0	30/33	35/45	22/25	25/25	30/30	35/45	35/45	35/45
	B10J	1	7.2/9.6	24.57/32.76	34.6/40.0	51/58	60/60	44/50	45/50	30/30	35/45	35/45	35/45
RACA15042BJT***AA	No Heat	—	—	—	—	32/32	40/50	—	—	32/32	40/50	40/50	40/50
	A05J	1	3.6/4.8	12.28/16.38	17.3/20.0	32/33	40/50	22/25	25/25	32/32	40/50	40/50	40/50
	A08J	1	5.7/7.6	19.45/25.93	27.4/31.6	42/47	45/50	35/40	35/40	32/32	40/50	40/50	40/50
RACA15048AJT***AA	No Heat	—	—	—	—	33/33	40/50	—	—	33/33	40/50	40/50	40/50
	A05J	1	3.6/4.8	12.28/16.38	17.3/20.0	33/33	40/50	22/25	25/25	33/33	40/50	40/50	40/50
	B10J	1	7.2/9.6	24.57/32.76	34.6/40.0	51/58	60/60	44/50	45/50	33/33	40/50	40/50	40/50

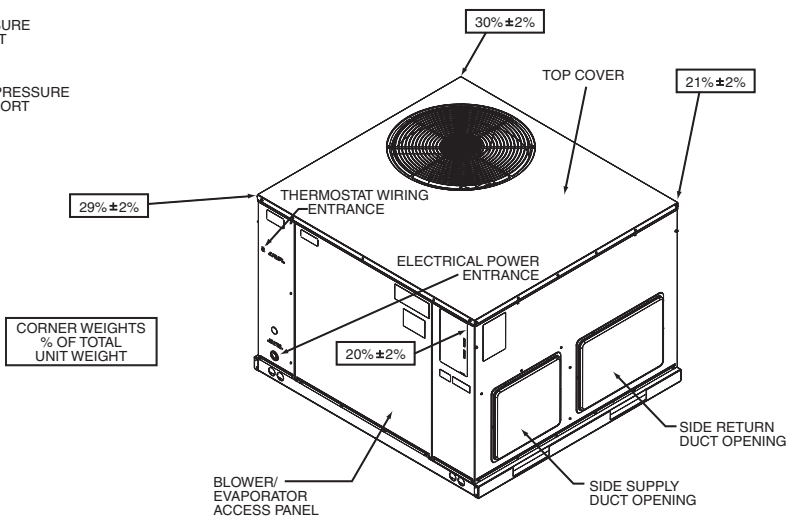
208/240 VOLT, SINGLE PHASE, 60 Hz, AUXILIARY ELECTRIC HEATER KITS CHARACTERISTICS AND APPLICATION																
Separate Power Supply for Both Unit and Heater Kit																
Model No.	Single Power Supply for Both Unit and Heater Kit				Air Conditioner				Heater Kit				Air Conditioner			
	RXQJ-Heater Kit Nominal kW	No. of Sequence Steps	Rated Heater kW @ 208/240V	Heater kBTU/Hr @ 208/240V	Heater Amp @ 208/240V	Unit Min. Ampacity @ 208/240V	Over Current Protective Device Size Min./Max. @ 208V	Over Current Protective Device Size Min./Max. @ 240V	Min. Ckt. Ampacity 208/240V	Max. Fuse Size 208/240V	Min. Circuit Ampacity 208/240V	Over Current Protective Device Size Min./Max. @ 208V	Over Current Protective Device Size Min./Max. @ 240V			
RACA15048BJT***AA	No Heat	—	—	—	—	34/34	40/50	40/50	—	—	34/34	40/50	40/50			
	A05J	1	3.6/4.8	12.28/16.38	17.3/20.0	34/34	40/50	40/50	22/25	25/25	34/34	40/50	40/50			
	A08J	1	5.7/7.6	19.45/25.93	27.4/31.6	42/47	45/50	50/50	35/40	35/40	34/34	40/50	40/50			
	B10J	1	7.2/9.6	24.57/32.76	34.6/40.0	51/58	60/60	60/60	44/50	45/50	34/34	40/50	40/50			
	B15J	1	10.8/14.4	36.85/49.13	51.9/60.0	73/83	80/80	90/90	65/75	70/80	34/34	40/50	40/50			
RACA15060AJT***AA	No Heat	—	—	—	—	46/46	60/70	60/70	—	—	46/46	60/70	60/70			
	A05J	1	3.6/4.8	12.28/16.38	17.3/20.0	46/46	60/70	60/70	22/25	25/25	46/46	60/70	60/70			
	A08J	1	5.7/7.6	19.45/25.93	27.4/31.6	46/49	60/70	60/70	35/40	35/40	46/46	60/70	60/70			
	B10J	1	7.2/9.6	24.57/32.76	34.6/40.0	53/60	60/70	60/70	44/50	45/50	46/46	60/70	60/70			
	B15J	1	10.8/14.4	36.85/49.13	51.9/60.0	75/85	80/80	90/90	65/75	70/80	46/46	60/70	60/70			

208/240 VOLT, THREE PHASE, 60 Hz, AUXILIARY ELECTRIC HEATER KITS CHARACTERISTICS AND APPLICATION													
Separate Power Supply for Both Unit and Heater Kit													
Model No.	Single Power Supply for Both Unit and Heater Kit					Heater Kit				Air Conditioner			
	RXQJ-Heater Kit Nominal kW	No. of Sequence Steps	Rated Heater kW @ 208/240V	Heater kBTU/Hr @ 208/240V	Heater Amp @ 208/240V	Unit Min. Ampacity @ 208/240V	Over Current Protective Device Size Min./Max. @ 208V	Min. Ckt. Ampacity 208/240V	Max. Fuse Size 208/240V	Min. Circuit Ampacity 208/240V	Over Current Protective Device Size Min./Max. @ 208V	Min./Max. @ 240V	
RACA15036ACT***AA	No Heat	—	—	—	—	17/17	20/25	—	—	17/17	20/25	20/25	
	A10C	1	7.2/9.6	24.57/32.76	20.0/23.1	31/34	35/35	25/29	25/30	17/17	20/25	20/25	
	A15C	1	10.8/14.4	36.85/49.13	30.1/34.7	43/49	45/45	38/44	40/45	17/17	20/25	20/25	
RACA15036BCT***AA	No Heat	—	—	—	—	19/19	25/25	—	—	19/19	25/25	25/25	
	A10C	1	7.2/9.6	24.57/32.76	20.0/23.1	31/34	35/35	25/29	25/30	19/19	25/25	25/25	
	A15C	1	10.8/14.4	36.85/49.13	30.1/34.7	43/49	45/45	38/44	40/45	19/19	25/25	25/25	
RACA15042ACT***AA	No Heat	—	—	—	—	24/24	30/35	—	—	24/24	30/35	30/35	
	A10C	1	7.2/9.6	24.57/32.76	20.0/23.1	33/37	35/35	25/29	25/30	24/24	30/35	30/35	
	A15C	1	10.8/14.4	36.85/49.13	30.1/34.7	46/51	50/50	38/44	40/45	24/24	30/35	30/35	
RACA15042BCT***AA	No Heat	—	—	—	—	25/25	30/35	—	—	25/25	30/35	30/35	
	A10C	1	7.2/9.6	24.57/32.76	20.0/23.1	33/37	35/35	25/29	25/30	25/25	30/35	30/35	
	A15C	1	10.8/14.4	36.85/49.13	30.1/34.7	46/51	50/50	38/44	40/45	25/25	30/35	30/35	
RACA15048ACT***AA	No Heat	—	—	—	—	25/25	30/35	—	—	25/25	30/35	30/35	
	A10C	1	7.2/9.6	24.57/32.76	20.0/23.1	33/37	35/35	25/29	25/30	25/25	30/35	30/35	
	A15C	1	10.8/14.4	36.85/49.13	30.1/34.7	46/51	50/50	38/44	40/45	25/25	30/35	30/35	
RACA15048BCT***AA	No Heat	—	—	—	—	26/26	30/35	—	—	26/26	30/35	30/35	
	A10C	1	7.2/9.6	24.57/32.76	20.0/23.1	33/37	35/35	25/29	25/30	26/26	30/35	30/35	
	A15C	1	10.8/14.4	36.85/49.13	30.1/34.7	46/51	50/50	38/44	40/45	26/26	30/35	30/35	
RACA15060ACT***AA	No Heat	—	—	—	—	30/30	35/45	—	—	30/30	35/45	35/45	
	A10C	1	7.2/9.6	24.57/32.76	20.0/23.1	35/39	35/45	25/29	25/30	30/30	35/45	35/45	
	A15C	1	10.8/14.4	36.85/49.13	30.1/34.7	48/53	50/50	38/44	40/45	30/30	35/45	35/45	

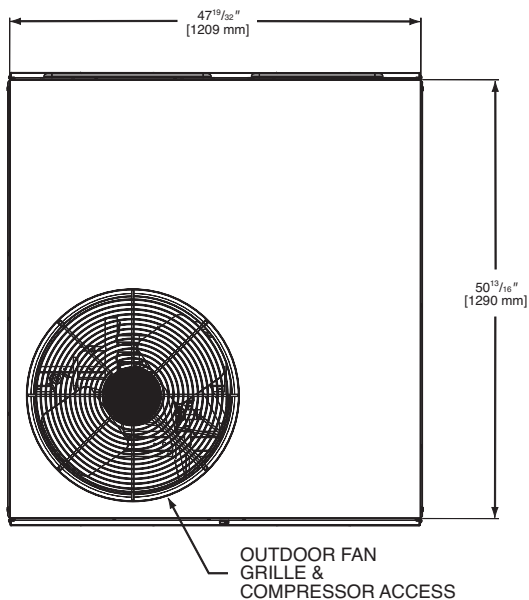
# UNIT DIMENSIONS PACKAGE AIR CONDITIONERS



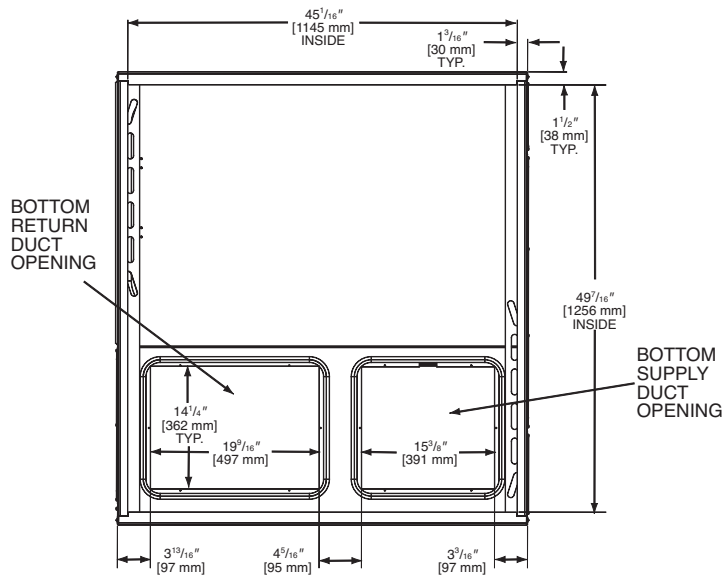
IMPORTANT: UNIT MUST BE LEVEL TO PREVENT WATER MIGRATION



## TOP VIEW

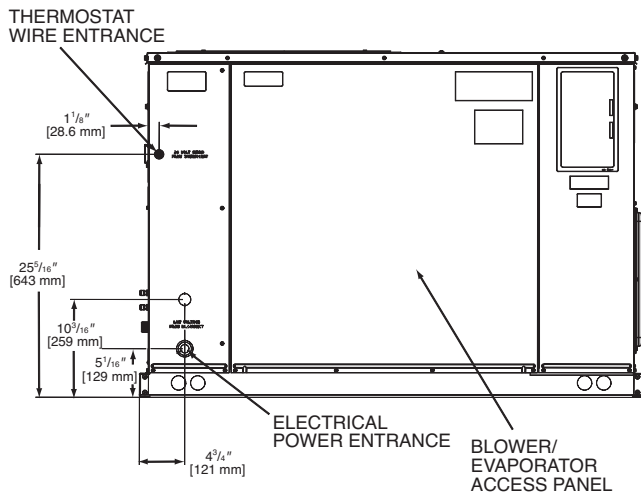


## BOTTOM VIEW

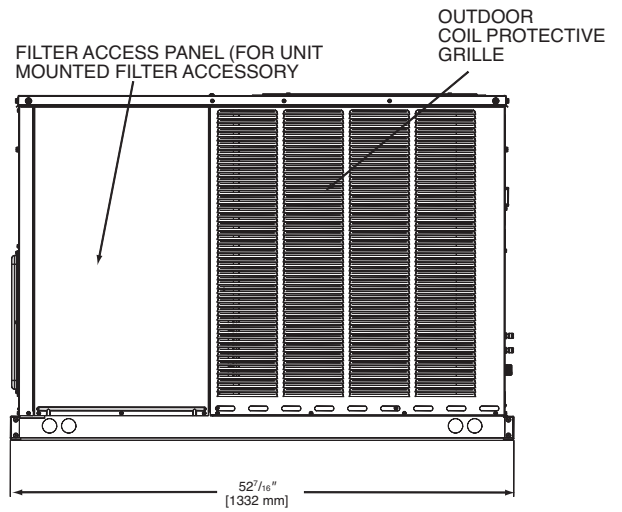


[ ] Designates Metric Conversions

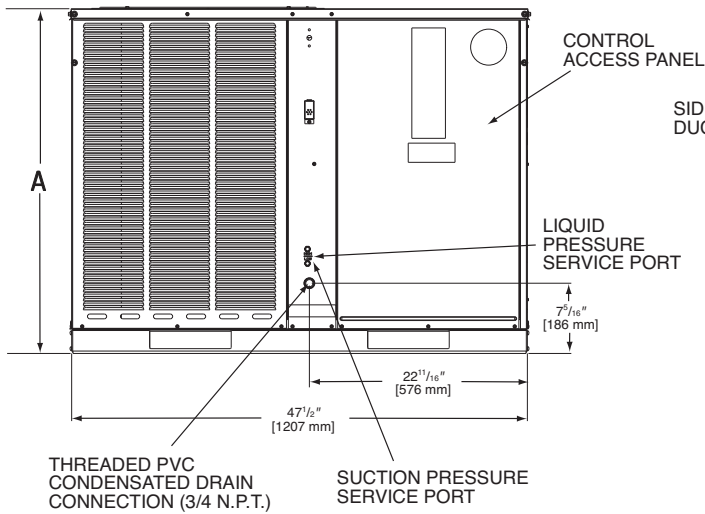
**SIDE VIEW**



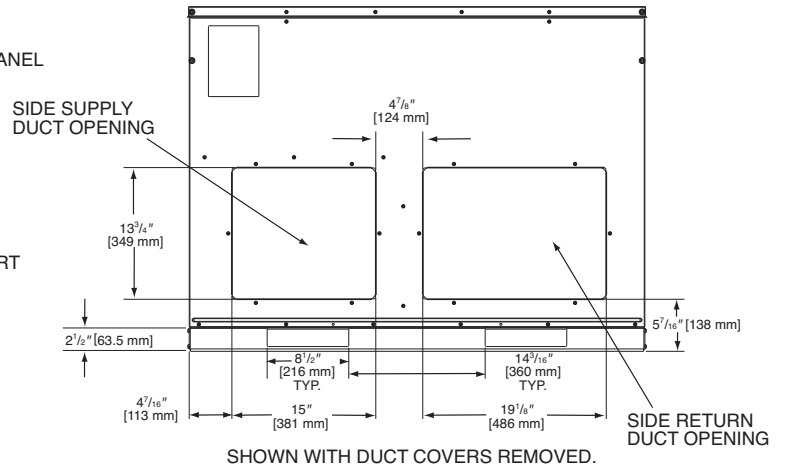
**SIDE VIEW**



**FRONT VIEW**



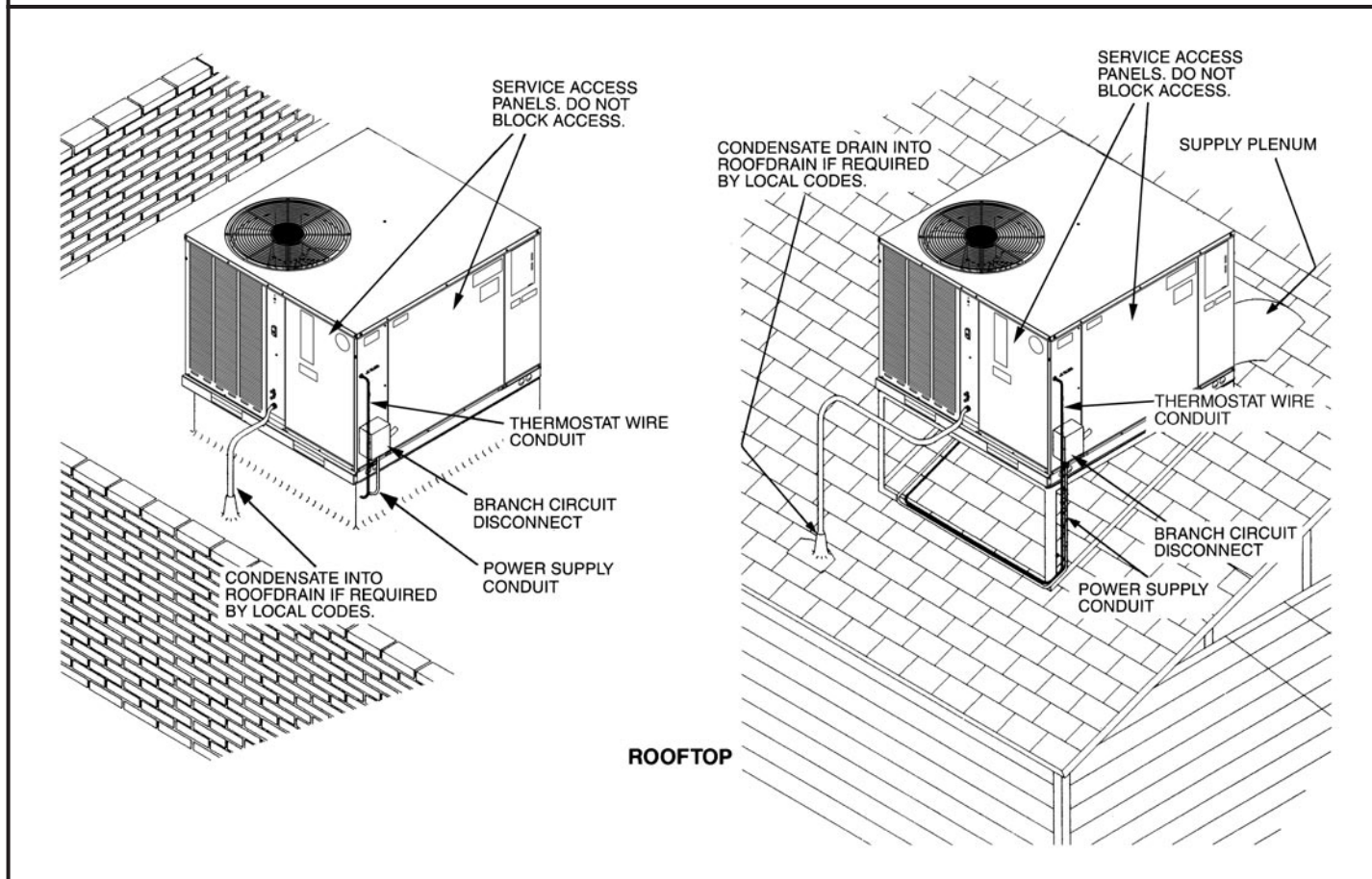
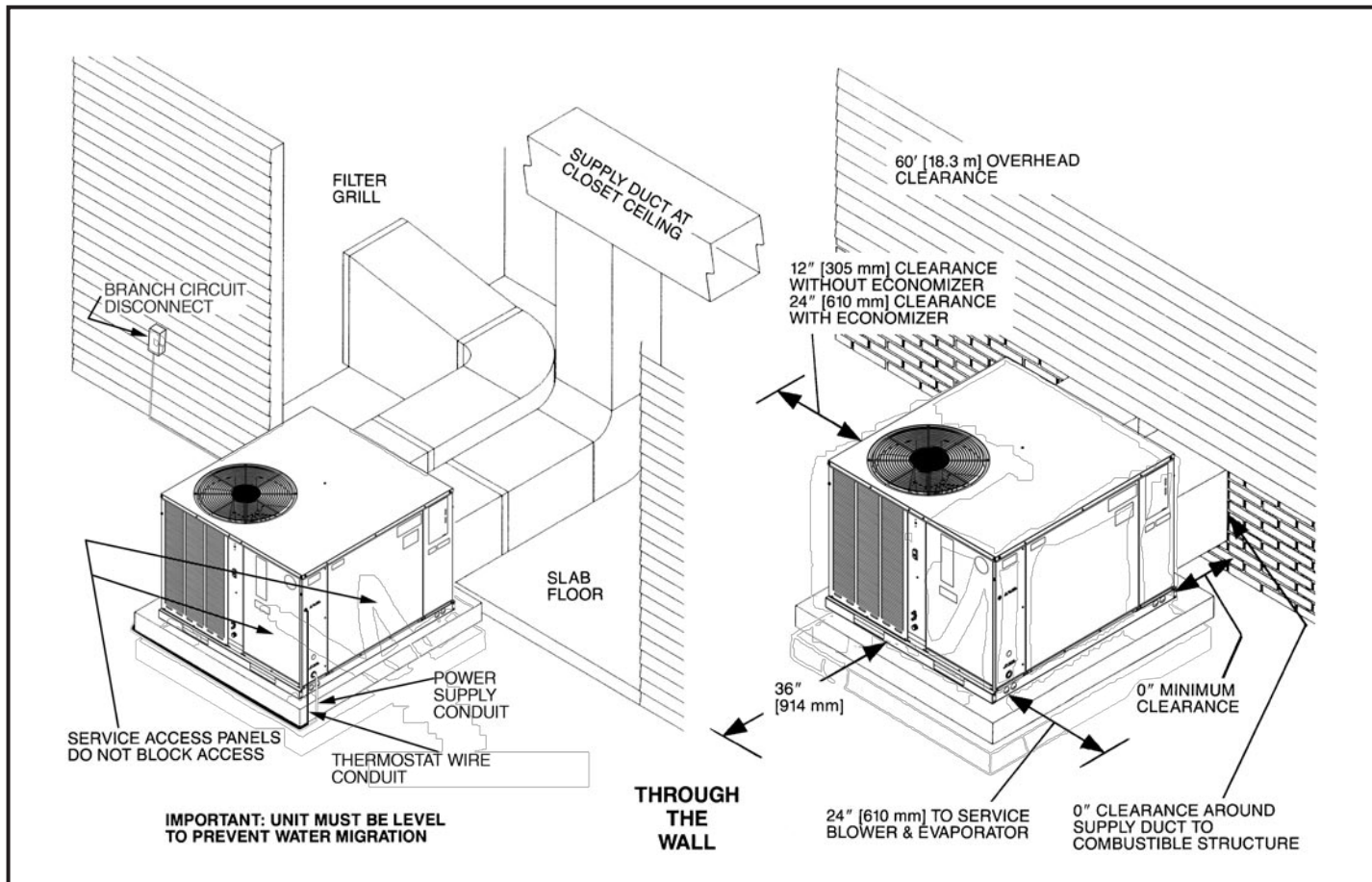
**REAR VIEW**



Model #	Height "A"
024, 030, 036, 042	35 <sup>15</sup> / <sub>16</sub>
048, 060	41

**IMPORTANT:**  
Unit must be level to prevent water migration.

[ ] Designates Metric Conversions



[ ] Designates Metric Conversions

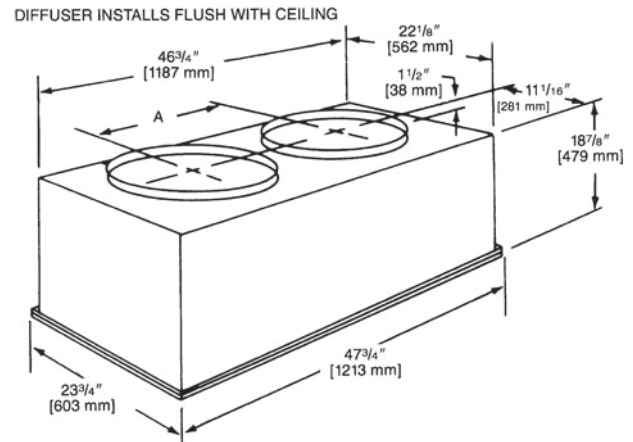
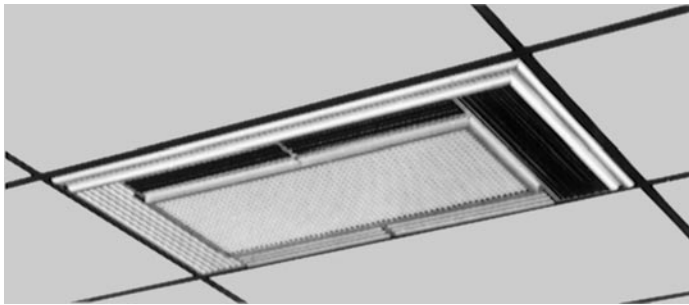
## ACCESSORY EQUIPMENT

Accessory Description	Model Application	Accessory Model No.
Roofcurbs	RACA14/15	RXSG-AAA08 (8" [203 mm] Height) RXSG-AAA14 (14" [356 mm] Height) RXSG-AAA24 (24" [610 mm] Height)
Supply & Return Diffusers	RACA14/15	RXRN-BD15
Economizers (Convertible)	RACA14/15	AXRD-01RACAM3
Fresh Air Damper	RACA14/15	AXRF-FAB1 (Motorized-35%) AXRF-FAA1 (Fixed-35%)
Rectangular to Round Transition (Downflow)	RACA14/15	RXMC-CA02 (16" [406 mm] Ducts) RXMC-CA03 (18" [457 mm] Ducts)
Filter Kit	RACA14/15	RXRY-B01
Sideflow Rectangular to Round Transition	RACA14/15	AXMC-BA01
Low Ambient Control	RACA14/15	RXRZ-B01
High Pressure Control ①	RACA14/15	RXAB-E01
Low Pressure Control ②	RACA14/15	RXAC-C01

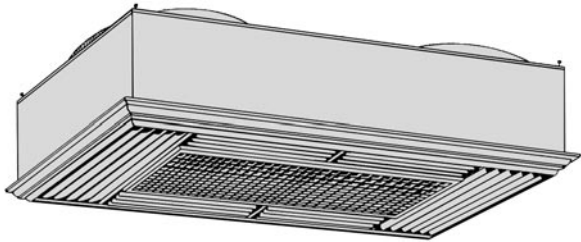
① High pressure switch standard on RACA (13/14/15) 060  
② Low pressure switch standard on RACA 15 060.

[ ] Designates Metric Conversions

## COMMON SUPPLY/RETURN CONCENTRIC AIR DIFFUSER



## SUPPLY/RETURN DIFFUSER



Designed to convert a side by side or an over and under arrangement into a concentric distribution of air. The diffuser is flush mounted, completely insulated, assembled, and internally baffled to provide four way supply air distribution with a center return. To make the assembly complete and ready to fit into a 2' [0.61 m] x 4' [1.22 m] suspended ceiling grid, the diffuser includes adjustable supply louvers, hanging rings, anti-sweat gasket, and round flanges for use with flexible ducts.

Model No.	Diameter Inches [mm]	Shipping Wt. Lbs. [kg]	Dimension A Inches [mm]
RXRN-BD15	16 [406]	90 [40.82]	20 1/2 [521]

**NOTE:** The location of the combination supply and return diffuser should not exceed 10 feet [3.05 m] above the floor level for units @ 1000 CFM [472 L/s] or less and 12 [3.66 m] to 14 feet [4.27 m] above the floor level for units with CFM greater than 1000 [472 L/s]. If the diffuser is installed with a greater distance than recommended above, the supply air may become stratified above the required comfort area causing uncomfortable conditions.

## AIRFLOW/PRESSURE DROP INFORMATION (INCHES W.C. [kPa])

Accessory	Approximate CFM [L/s]-Supply Air			
	1300 [614]	1575 [743]	1800 [850]	2200 [1038]
Plenum & Supply/Return Duct	.07 [.017]	.10 [.024]	.12 [.030]	.17 [.042]
Diffuser	.09 [.022]	.13 [.032]	.16 [.040]	.24 [.060]
Economizer	.06 [.015]	.09 [.022]	.11 [.027]	.17 [.042]

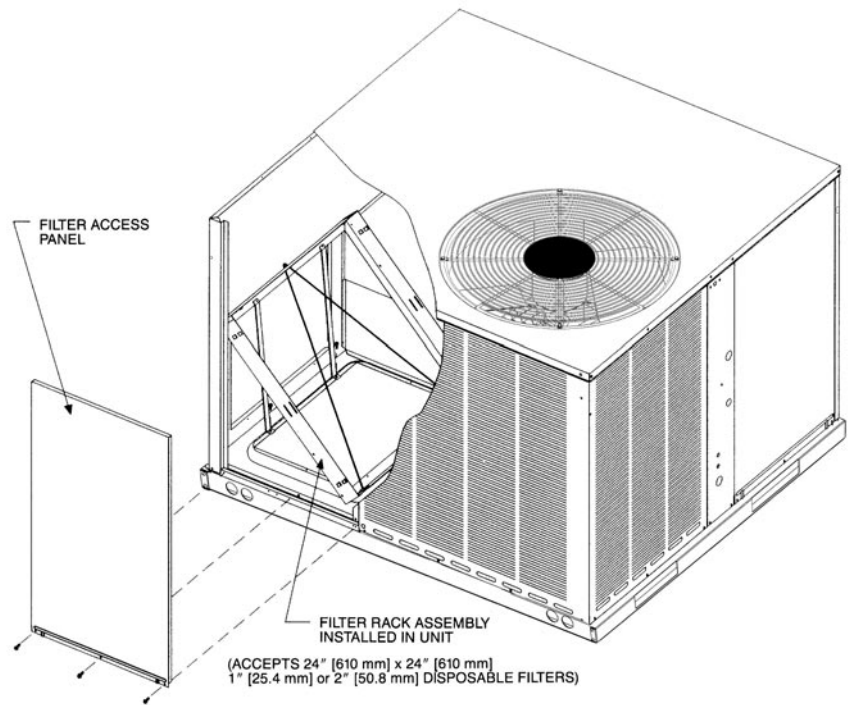
## SUPPLY AIR/PERFORMANCE

Diffuser Airflow CFM [L/s]	Range of Throw Ft. [m]
800 [378]-1200 [566]	14 [4.27]-16 [4.88]
1600 [755]-2000 [944]	18 [5.49]-28 [8.53]



## FILTER KIT INSTALLATION RXRY-B01

For use in either vertical  
or horizontal discharge.

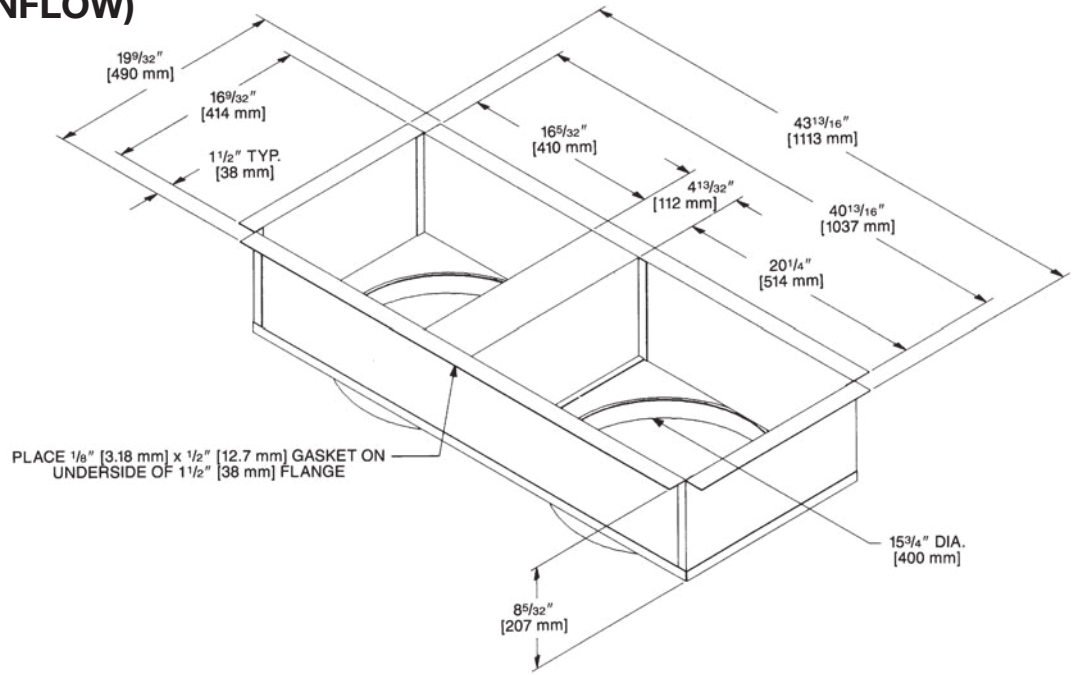


Airflow Pressure Drop, Inches W.C. [kPa]		
CFM [L/s]	1" Filter	2" Filter
500 [236]	.02 [.0050]	.03 [.0075]
600 [283]	.02 [.0050]	.03 [.0075]
700 [330]	.03 [.0075]	.04 [.0101]
800 [378]	.04 [.0101]	.05 [.0124]
900 [425]	.05 [.0124]	.06 [.0149]
1000 [472]	.07 [.0174]	.08 [.0199]
1100 [519]	.08 [.0199]	.09 [.0224]
1200 [566]	.10 [.0249]	.12 [.0299]
1300 [614]	.13 [.0324]	.15 [.0373]
1400 [661]	.16 [.0398]	.19 [.0473]
1500 [708]	.19 [.0473]	.21 [.0523]
1600 [755]	.20 [.0498]	.23 [.0572]
1700 [802]	.21 [.0523]	.24 [.0598]
1800 [850]	.22 [.0548]	.25 [.0623]
1900 [897]	.24 [.0598]	.27 [.0672]
2000 [944]	.26 [.0647]	.29 [.0722]

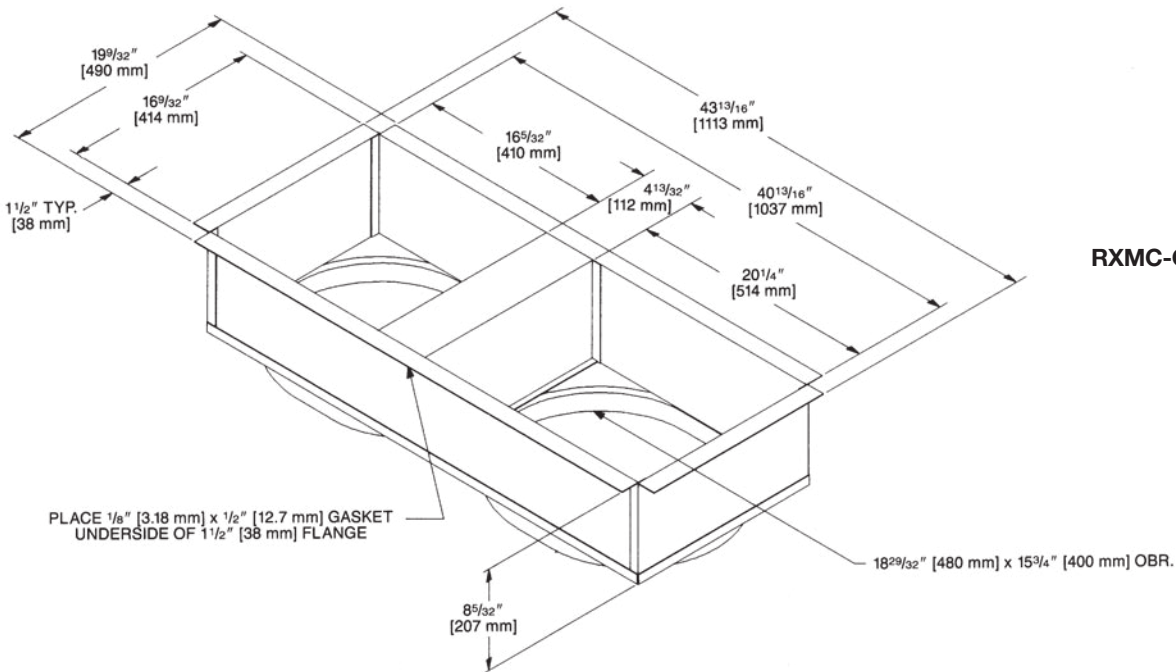
[ ] Designates Metric Conversions

# DUCT ADAPTERS RECTANGULAR TO ROUND TRANSITIONS (DOWNFLOW)

**RXMC-CA02**



**RXMC-CA03**



[ ] Designates Metric Conversions

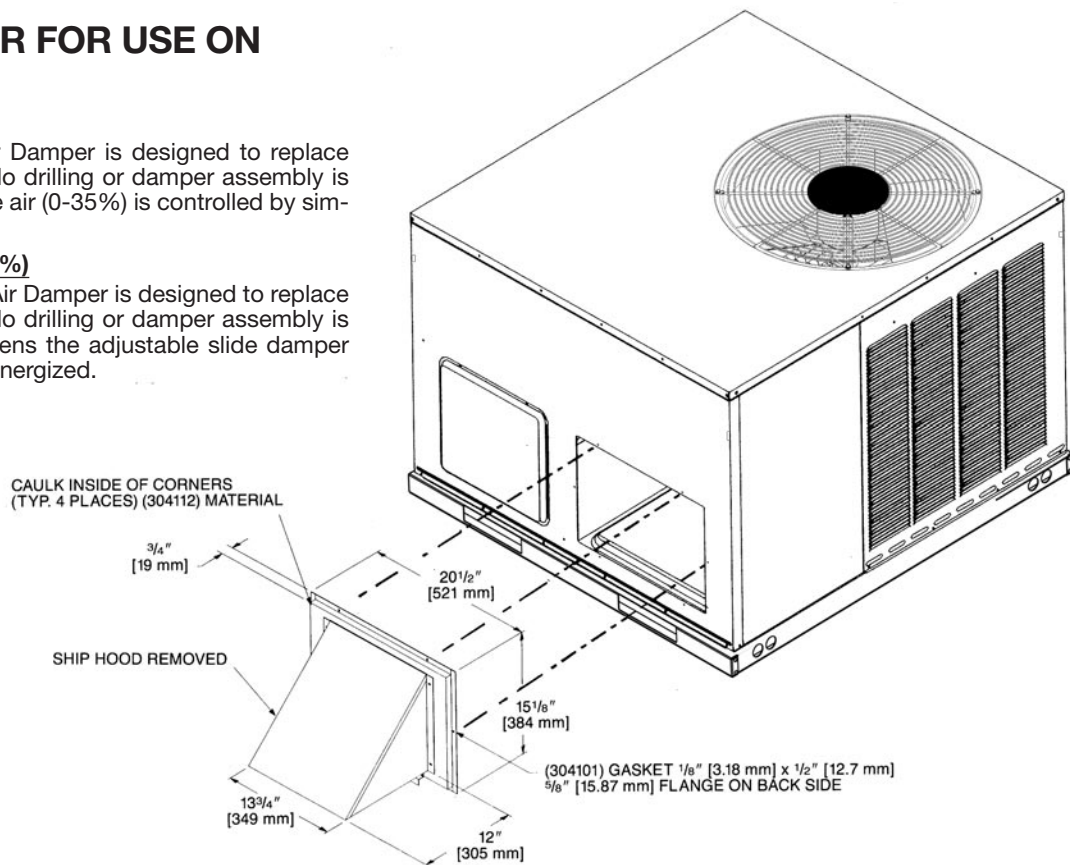
## FRESH AIR DAMPER FOR USE ON RACA14-

### **AXRF-FAA1 (Fixed - 0-35%)**

The 0-35% manual outside Air Damper is designed to replace the unit return air duct cover. No drilling or damper assembly is required. The amount of outside air (0-35%) is controlled by simply adjusting the side damper.

### **AXRF-FAB1 (Motorized - 0-35%)**

The 0-35% motorized outside Air Damper is designed to replace the unit return air duct cover. No drilling or damper assembly is required. The control motor opens the adjustable slide damper when the unit blower motor is energized.

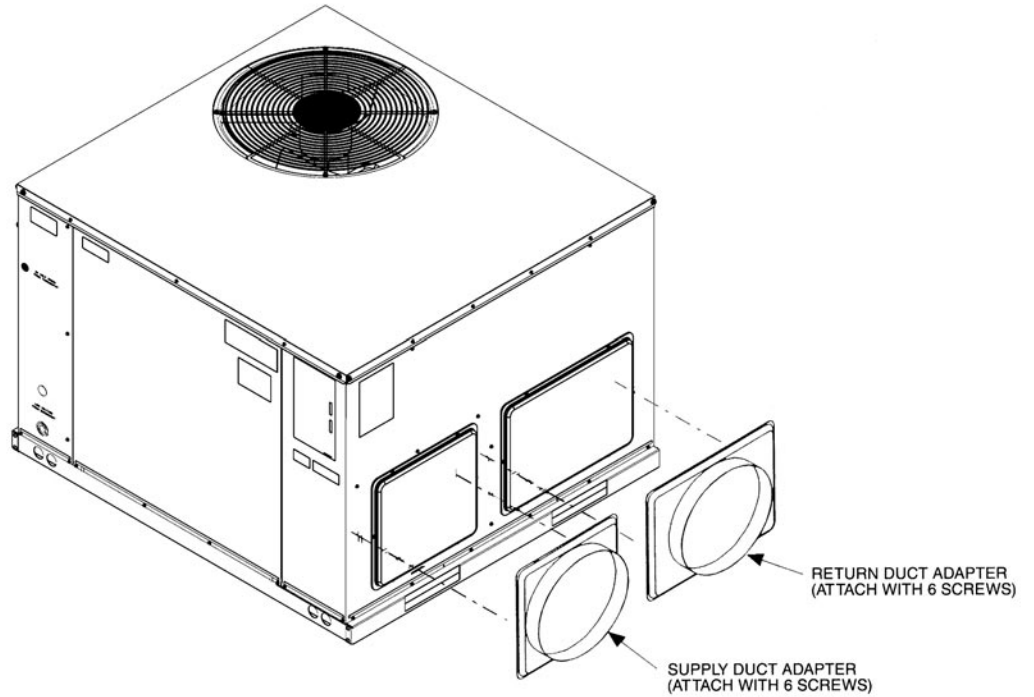


[ ] Designates Metric Conversions

## DUCT ADAPTER SIDEFLOW SQUARE TO ROUND TRANSITION AXMC-BA01

Adapts the side rectangular supply and return openings to 14" [356 mm] diameter round openings. Adapters provided with same finish as unit and also provided with thermal insulation.

[ ] Designates Metric Conversions

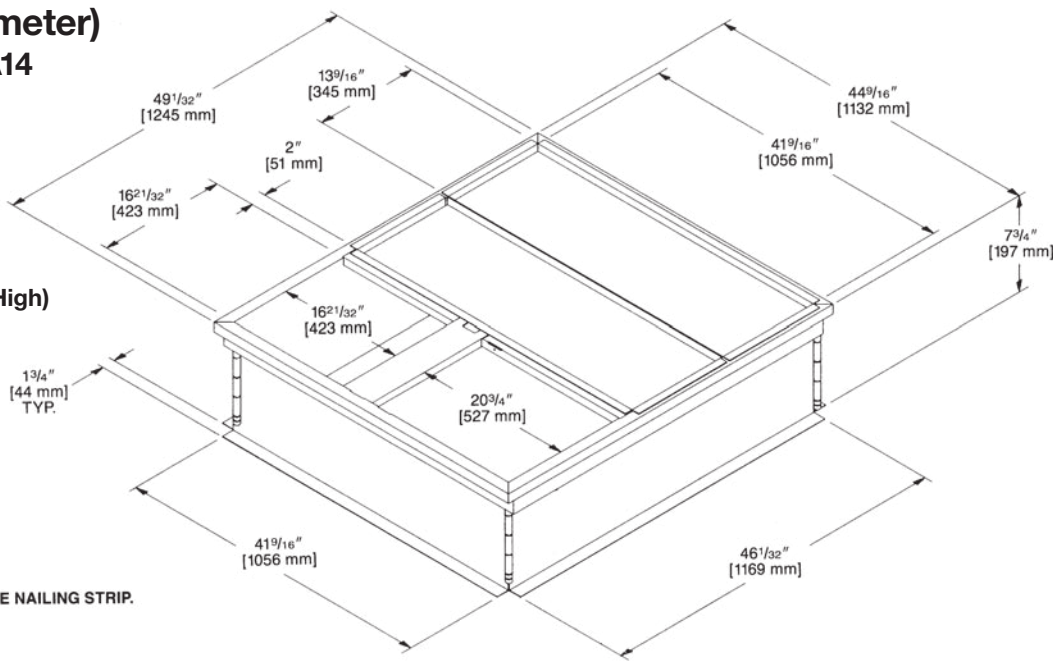


**ROOFCURB (Full Perimeter)**  
**RXSG-AAA08, RXSG-AAA14**  
**and RXSG-AAA24 for**  
**RACA-**

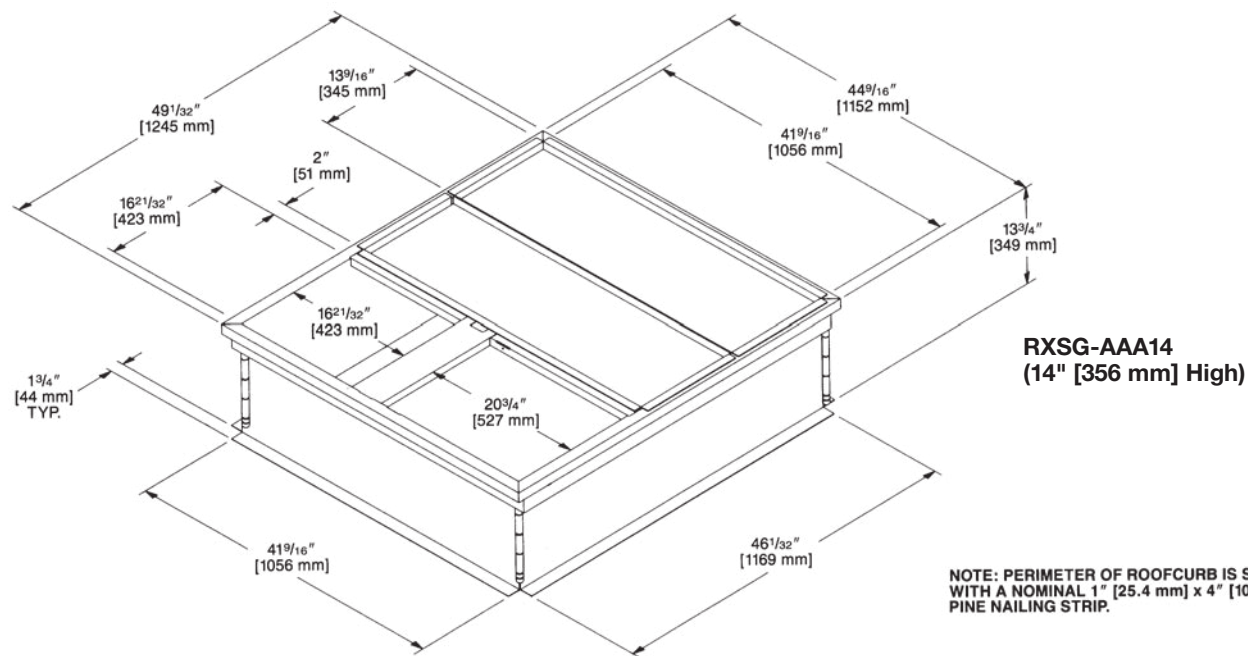
Hinged corners make for fast, easy set-up.

**RXSG-AAA08**  
**(8" [203 mm] High)**

**NOT for use with**  
**RQKA/RQLA/RQMA**  
**Package Heat Pumps.**



**NOTE: PERIMETER OF ROOFCURB IS SUPPLIED WITH A NOMINAL 1" [25.4 mm] x 4" [102 mm] PINE NAILING STRIP.**

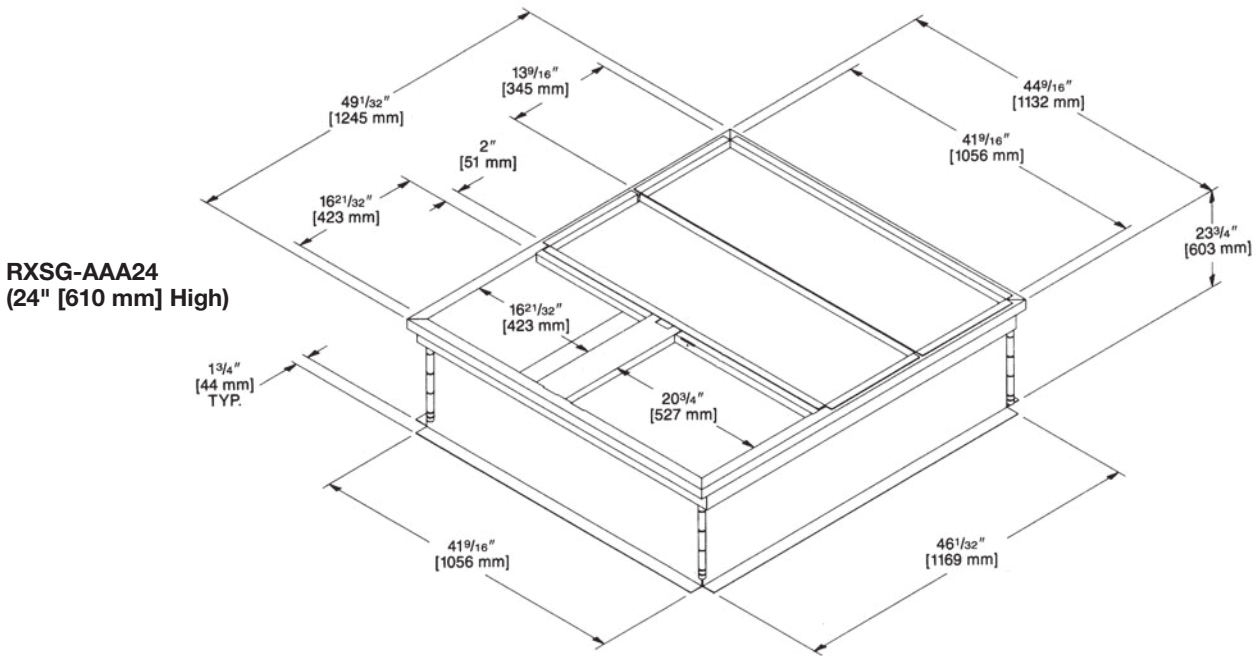


**RXSG-AAA14**  
**(14" [356 mm] High)**

**NOTE: PERIMETER OF ROOFCURB IS SUPPLIED WITH A NOMINAL 1" [25.4 mm] x 4" [102 mm] PINE NAILING STRIP.**

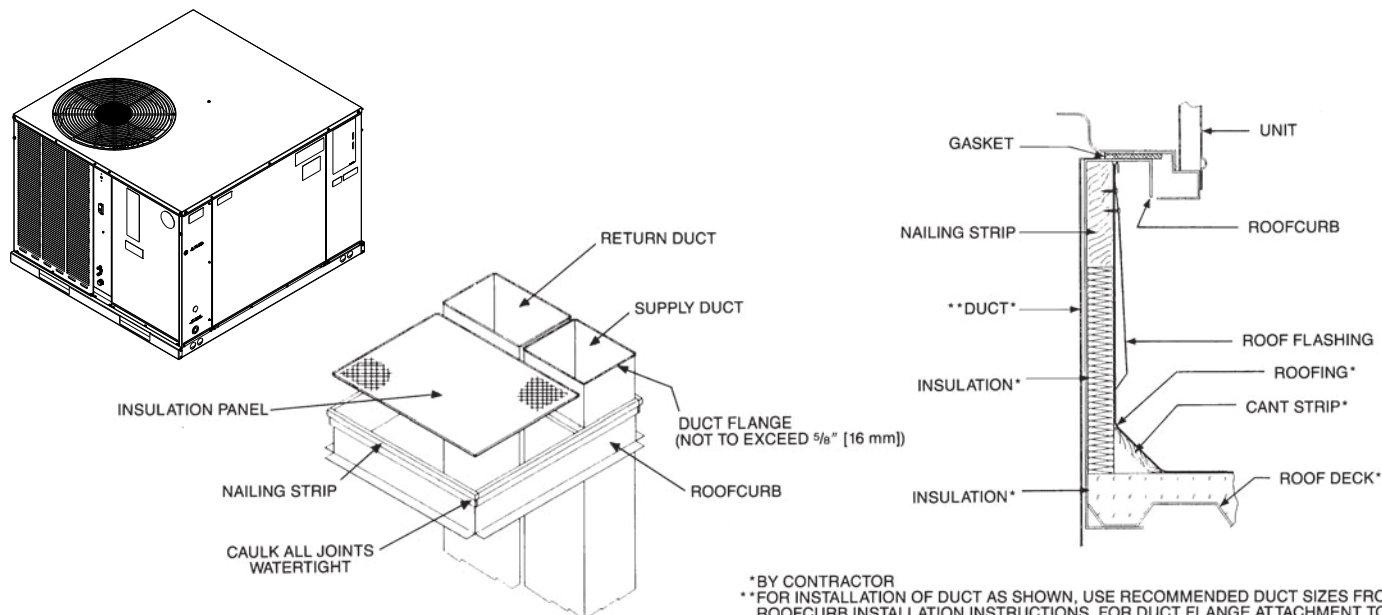
[ ] Designates Metric Conversions

ROOFCURB (Full Perimeter) (Cont.)



[ ] Designates Metric Conversions

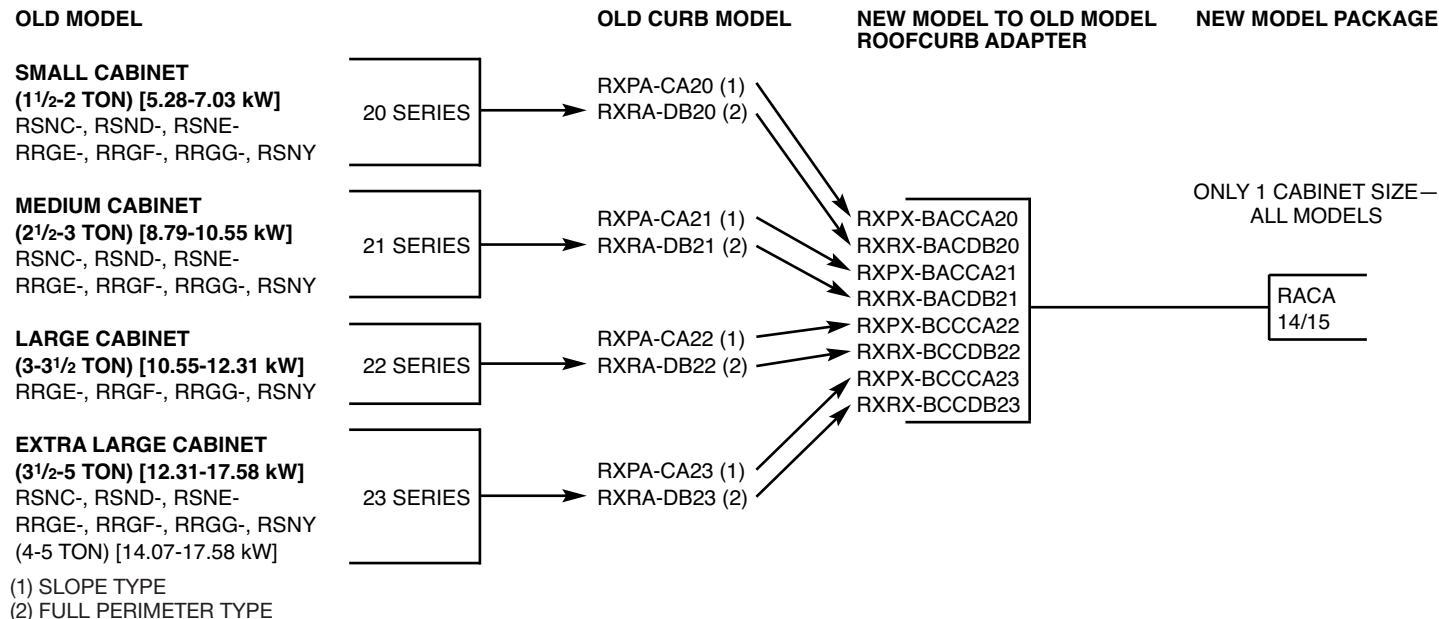
# PACKAGE AIR CONDITIONERS & GAS/ELECTRIC PACKAGE UNITS ROOFCURB INSTALLATION (Full Perimeter)



[ ] Designates Metric Conversions

## ROOFCURB ADAPTERS

Fabricated from galvanized steel to adapt the New cabinet to the old style curb. All are furnished with a New gasket.



## ELECTRIC HEATER KITS – RACA14/15-

Unit Model Application (14 SEER)	Electric Heater Kit Models
RACA (14) (024/030) BJ	RXQJ-A05J (208-240 volt, 1-ph, 5kw)
	RXQJ-A08J (208-240 volt, 1-ph, 8kw)
	RXQJ-A10J (208-240 volt, 1-ph, 10kw)
RACA (14) (036) BJ	RXQJ-A05J (208-240 volt, 1-ph, 5kw)
	RXQJ-A08J (208-240 volt, 1-ph, 8kw)
	RXQJ-A10J (208-240 volt, 1-ph, 10kw)
	RXQJ-A15J (208-240 volt, 1-ph, 15kw)
RACA (14) (042/048) BJ RACA (14) (060) CJ	RXQJ-A05J (208-240 volt, 1-ph, 5kw)
	RXQJ-A08J (208-240 volt, 1-ph, 8kw)
	RXQJ-B10J (208-240 volt, 1-ph, 10kw)
	RXQJ-B15J (208-240 volt, 1-ph, 15kw)
RACA (14) (036/042/048) BC RACA (14) (60) CC	RXQJ-A10C (208-240 volt, 3-ph, 10kw)
	RXQJ-A15C (208-240 volt, 3-ph, 15kw)

Unit Model Application (15 SEER)	Electric Heater Kit Models
RACA (15) (024) BJ RACA (15) (030) AJ	RXQJ-A05J (208-240 volt, 1-ph, 5kw)
	RXQJ-A08J (208-240 volt, 1-ph, 8kw)
	RXQJ-A10J (208-240 volt, 1-ph, 10kw)
RACA (15) (036) BJ	RXQJ-A05J (208-240 volt, 1-ph, 5kw)
	RXQJ-A08J (208-240 volt, 1-ph, 8kw)
	RXQJ-A10J (208-240 volt, 1-ph, 10kw)
	RXQJ-A15J (208-240 volt, 1-ph, 15kw)
RACA (15) (042) BJ RACA (15) (048/060) AJ RACA (15) (048) BJ	RXQJ-A05J (208-240 volt, 1-ph, 5kw)
	RXQJ-A08J (208-240 volt, 1-ph, 8kw)
	RXQJ-B10J (208-240 volt, 1-ph, 10kw)
	RXQJ-B15J (208-240 volt, 1-ph, 15kw)
RACA (15) (048/60) AC RACA (15) (036/042/048) BC	RXQJ-A10C (208-240 volt, 3-ph, 10kw)
	RXQJ-A15C (208-240 volt, 3-ph, 15kw)

### WARNING

**ONLY ELECTRIC HEATER KITS SUPPLIED BY THIS MANUFACTURER AS DESCRIBED IN THIS PUBLICATION HAVE BEEN DESIGNED, TESTED, AND EVALUATED BY A NATIONALLY RECOGNIZED SAFETY TESTING AGENCY FOR USE WITH THIS UNIT. USE OF ANY OTHER MANUFACTURED ELECTRIC HEATERS INSTALLED WITHIN THIS UNIT MAY CAUSE HAZARDOUS CONDITIONS RESULTING IN PROPERTY DAMAGE, FIRE, BODILY INJURY OR DEATH.**



**BEFORE PURCHASING THIS APPLIANCE, READ IMPORTANT ENERGY COST AND EFFICIENCY INFORMATION AVAILABLE FROM YOUR RETAILER.**

**GENERAL TERMS OF LIMITED WARRANTY\***

Rheem® will furnish a replacement for any part of this product which fails in normal use and service within the applicable periods stated, in accordance with the terms of the limited warranty.

**\*For complete details of the Limited and Conditional Warranties, including applicable terms and conditions, contact your local contractor or the Manufacturer for a copy of the product warranty certificate.**

**Conditional Parts (Registration Required)**

1 Phase, Residential Applications.....Ten (10) Years

**Compressor**

1 Phase, Residential Applications.....Ten (10) Years

1 & 3 Phase, Commercial Applications.....Five (5) Years

**Parts**

1 & 3 Phase, Commercial Applications .....One (1) Year







***Russell™ By Rheem***

5600 Old Greenwood Road, Fort Smith, AR 72908

Before proceeding with installation, refer to installation instructions packaged with each model, as well as complying with all Federal, State, Provincial, and Local codes, regulations, and practices.