

DISCONNECT SWITCH

ROTARY, UP TO 63A, 3P, UL508

Eemax Part Number:

EX68031-16

Key Features & Benefits

Enclosed disconnect switches are used as:

- The NEC required disconnect.
- A non-fusible main disconnect.
- OSHA Lock Out / Tag Out devices to isolate a load for maintenance, service or repair.

A flexible range

- Designed for normal as well as difficult or harsh environments (wash down, mechanical impacts, corrosion...).
- UL / NEMA rated enclosures up to 1, 3R, 12, 4, 4X.
- Nonmetallic enclosures.
- Compact design.

High switching performance, simple wiring

- Short circuit rating at 600 VAC (kA):65.
- Reliable switching technology.
- Large terminals.

Robust and ergonomic handle

- Red/Yellow handle.
- Clear On - Off positions indication.
- Door interlocking in ON position and padlocked in OFF position.

Suitable for use as:

- OSHA Lockout/Tagout disconnects.
- Safety switches.

UL / NEMA 1, 3, 3R, 12, 4, 4X

Polycarbonate



Conformity to standards(1)

> cULus 508A	> UL 60947-4-1* CSA-C22.2 No. 14 Guide NLRV File E173959	> UL 489 CSA-C22.2 No. 5 File E255272	> UL 98 CSA-C22.2 No. 4 Guide WHTY File E201138
> UL 1008 Guide WPV File E317092	> CSA-C22.2 No. 4 Class 4651-02 File 112964	> CSA-C22.2 No. 5 Class 4652-06 File 112964	> CSA-C22.2 No. 14 Class 3211-05 File 112964

*replaces UL 508

DISCONNECT SWITCH

ROTARY, UP TO 63A, 3P, UL508

Eemax Part Number:

EX68031-16

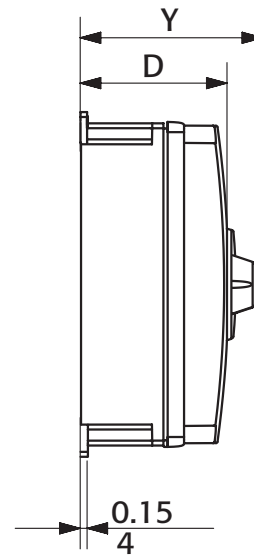
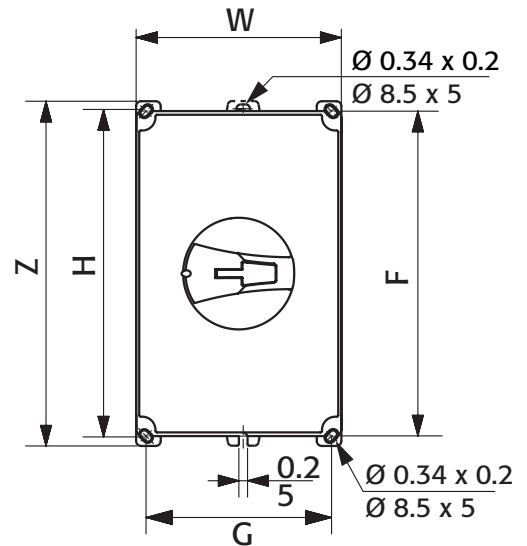
Product Specifications (in/mm)

UL / NEMA enclosure 1, 3, 3R, 12, 4, 4X - polycarbonate

Non-fusible disconnect switch up to 63A

Rating (A)	Unit	H	W	D	G	F	Y	Z	Weight (lbs)
0...60	in	7.8	4.94	3.62	4.45	7.32	4.37	8.27	6.6
	mm	198	125.5	92	113	186	111	210	

Eemax p/n:	EX68031-16
Amperage:	>40A
Recommendation:	SOCOME C 22243506 enclosure PR SIRCO M2, UL 508, up to 63A 3P Rotary Disc and 4X Encl.



Applicable models

Single Phase Handwashing

FlowCo	LavAdvantage	AccuMix
SPEX75, SPEX95, SPEX3012, SPEX4208, SPEX8208, SPEX90, SPEX100	SPEX75T, SPEX95T, SPEX012240T, SPEX4208T, SPEX8208T, SPEX90T, SPEX100T	AM010240T, AM012240T, AM010277T

Single Phase HotMax

HotMax
HM013240

Single Phase HomeAdvantage II & ProSeries

HomeAdvantageII	ProSeries
HA008240, HA011240, HA013240, HA018240 (2 required), HA024240 (3 required), HA027240 (3 required), HA036240 (4 required)	PR008240, PR011240, PR013240, PR018240 (2 required), PR024240 (3 required), PR027240 (3 required), PR036240 (4 required)

Three Phase & ProSeries XTP*

Three Phase	ProSeries XTP
EX180T2T, T3 ED032480T2T, T3	XTP018208, XTP027480, XTP036480, XTP048480