

RHEEM DOMESTIC HOT WATER



Australia's favourite name
in hot water

JANUARY 2019

COMES ON STEADY, HOT AND STRONG

INSTALL A





CONTENTS

Rheem Electric Storage Hot Water	4
Rheem Gas Storage Hot Water	6
Rheem Continuous Flow Gas Hot Water	8
Rheem Solar Hot Water	10
Rheem Heat Pump Hot Water	12
Product Data.....	14

Rheem Australia Pty Ltd

Head Office

1 Alan Street
Rydalmere NSW 2116
Australia

Postal

PO Box 7508
Silverwater NSW 2128
Australia

National Sales Phone: 132 552**National Service Phone: 131 031**www.rheem.com.au

® Registered Trademark of Rheem Australia Pty Ltd

TM Trademark of Rheem Australia Pty Ltd

ABN 21 098 823 511



RHEEM IS AUSTRALIA'S FAVOURITE NAME IN HOT WATER AND THE NAME AUSTRALIANS HAVE TRUSTED FOR GENERATIONS

YOU'LL BE RIGHT WITH RHEEM

No.1 with Australian families. Rheem is Australia's favourite hot water system... and it's been that way since 1939, when Rheem started making water heaters in Australia. Generations of Australian families have relied on Rheem for water that comes on steady, hot and strong!

RHEEM IS EVERYWHERE

There is an unequalled network of experienced Rheem service agents across the country. No matter where you are in Australia there is expert advice available to ensure that you get the Rheem solution that is right for you.

WE HAVE THE RIGHT RHEEM FOR YOU

Rheem has the most extensive range of hot water systems available in Australia. Solar, gas or electric storage. Continuous flow or heat pump. Energy efficient and stainless steel options. Rheem has a range of capacities to suit your requirements and your budget.

Solar, gas or electric.
Continuous flow, heat pump
or storage. Rheem has a range
of hot water solutions for
every situation.



CHOOSING THE RIGHT CAPACITY RHEEM FOR YOUR HOME

Many households change over time, so it's important to choose the right capacity to meet your needs both now and as your family grows.

Factors to consider in determining your hot water needs:

- Number of bathrooms or people using hot water at the same time.
- Adults and children in the home (teenagers will use more hot water than young children).
- Dishwashers or washing machines connected to hot water outlets, that may use hot water at the same time.
- Will a large bathtub or spa-bath be used regularly?
- Space available to install a water heater
- Available energy supplies - gas or electricity

Your hot water system needs will be influenced by the water conditions, climate and water pressure in your region, as well as the available energy supply (gas or electricity) and space available at your home.



MAINS PRESSURE HOT WATER

Rheem electric storage water heaters store hot water in the tank ready for immediate use. These products rely on an electric element(s), which is controlled by a thermostat, to heat water.

Larger model Rheem electric water heaters are ideal for use with low cost off-peak electricity, and are available in a range of capacities to suit most needs.

The mains pressure advantage ensures full pressure to multiple outlets all at the same time.

Electric storage systems are a relatively inexpensive and reliable solution to your hot water needs.

WHY RHEEM ELECTRIC STORAGE?

Designed for Australia's tough conditions using over 80 years of experience manufacturing in Australia.

Includes models suitable for connection to economical 'off peak', 'time or use' or continuous electricity tariffs.

Sizes to suit every family and hot water requirement from 25L to 400L.

Mains Pressure water delivery for steady, hot and strong hot water.

Indoor or outdoor use (excludes plug-in models).

Full technical support and spare parts available through Rheem's National Service Network.

7 or 12 year cylinder warranty models available.^{1,2,3}

All Rheem electric water heaters are made in a wholly owned and operated Rheem facility.

OFF-PEAK OR CONTINUOUS ELECTRICITY?

OFF-PEAK tariffs offer lower cost electricity that is only available during specific times, typically during the night or outside peak usage periods. These tariffs are normally reserved for larger water heater models that provide enough stored hot water for daily use. Generally, two types of off peak tariffs are available.

- 8 Hour night rate - 250L - 400L (lowest rate available) and
- 16 hour 'extended' rate - 160L - 400L

'TIME OF USE' (TOU) tariffs provide power to the water heater 24 hours per day, but different rates apply at different times of day i.e. rates are higher for using electricity during peak hours, and less for electricity used during the 'Shoulder period' and overnight. Water heaters connected to TOU tariff should use a timer ensuring operation during the lowest cost heating periods.

CONTINUOUS tariff electricity makes power available to heat the water 24 hours per day. A smaller tank can often be used on this tariff but the running costs will be higher. The price is typically a flat rate.

Compare various water heater running costs online at www.rheem.com.au/RunningCostCalculator or speak to your energy retailer for tariff details.

Model (Litres) Single Element	PPH* - Off peak tariff	PPH* - Continuous/ Time of use tariff***
25	-	-
50	-	1
80	-	1-2
125	-	2-3
160	-	2-4
250	1-3	3-5
315	2-4	4-6
400	4-6	5-9
Model (Litres) Twin Element	PPH* - Off peak tariff	PPH* - Continuous/ Time of use tariff***
160	1-3	2-4
250	2-3	3-5
315	3-4	4-6
400	4-7	5-9

* People per household

*** PPH supplied under 'Time of use' tariff conditions is equivalent to continuous tariff, provided the power supply is unrestricted.



Model Number:
4A1 Series

RHEEM STELLAR® ELECTRIC STAINLESS

- Available in 50L - 315L models
- Up to 24% better than MEPS⁴ reducing energy use, saving you money
- Stainless steel cylinder & fittings
- Up to 42% lighter⁵ for easier handling and installation
- No anode - saves on maintenance costs
- Mains pressure
- Manufactured in Australia
- 12 year cylinder warranty³



Model Number:
491 Series

NEW RHEEM 491/492 SERIES

- Available in 80L - 400L models
- Easy retrofit - identical footprint & plumbing connections to previous series models
- Dual handed fittings
- Suit lower cost tariffs
- Exclusive Rheem Ultraname[®], more durable than the domestic grade Class X enamels.
- Thicker anode (27mm)
- Twin element models available
- Manufactured in Australia
- 12 year cylinder warranty²



Model Number:
191 Series

RHEEM 191/192 SERIES[†]

- Available in 25L & 50L
- Dual handed fittings
- Front oriented fittings for easier access
- 25L & 50L models ideal for small spaces.
- 7 year cylinder warranty¹



Model Number:
421 Series

RHEEMPLUS® ELECTRIC

- 50°C pre-tempered model
- Adjustable valve to deliver 50°C at the tap.
- Available in 125L, 160L, 250L & 315L capacities
- Complies with the tempering requirement of AS/NZS 3500.4
- Left hand connection
- Manufactured in Australia
- 12 year cylinder warranty²



Model Numbers:
111025/191045

RHEEM COMPACT 25L & 47L

- Most compact available in the 25L and over-40L capacity ranges
- Just 390mm high (25L) & 670mm high (47L)
- Smallest diameter on the market – 385mm (25L) & 400mm (47L)
- 47L hot water delivery** (191045 model)
- Dual handed (47L only) – easier to install
- Recessed plug fittings
- 7 year cylinder warranty¹

** Rated hot water delivery 40L in accordance with AS/NZS 4692.1. Actual delivery 47L when tested to AS/NZS 4692.1.





MAINS PRESSURE HOT WATER WHEN YOU NEED IT

Mains pressure gas storage water heaters deliver hot water instantly, as they keep a generous quantity stored hot and ready for your use. As they are at mains pressure, you can be sure of a strong flow of hot water, and the ability to service multiple showers or hot water needs at once. A choice of 4 and 5 Star models, in a range of capacities means there is a model for every budget and family. And should you ever run short, Rheem's high recovery models will have you back in hot water fast.

WHY RHEEM GAS STORAGE?

5 star energy rating models save you money.

Designed for Australia's tough conditions, using over 80 years of experience in Australia.

10 year cylinder warranty on all models.^{8,9}

Capacities to suit most family sizes and hot water requirement, starting from 90 Litres.

Fast hot water recovery of up to 200 Litres per hour available.⁶

High recovery Rheem Stellar models for high-demand installations.

Mains pressure water delivery for steady, hot and strong hot water.

Indoor models also available.

The ability to service multiple uses at once without losing hot water pressure.

Full technical support through Rheem's National Service Network.

Some models available in natural gas or propane.

FACTORS TO CONSIDER

Purchase, Installation and Running costs:

- Gas Storage systems are a relatively inexpensive solution to your hot water needs. There is a Rheem model to suit just about every budget. If replacing an existing gas unit, there is probably a Rheem model which can simply be installed in the same space.
- Higher efficiency Gas Storage water heaters cost less to run. As a guide, every extra energy-rating star represents approx 7% less gas usage, which means savings in energy bills.

Capacity

- Gas Storage water heaters are rated by their storage capacity and also their "recovery rate". This is the quantity that can be fully reheated in one hour; the higher this rate the faster you can be back in hot water.

RHEEM STELLAR®	850330	850360	
Number of People			
Moderate Climate	2-5	3-6	
Cool Climate	2-4	3-5	
RHEEM 5 STAR	850265 & 854265	850295 & 854295	
Number of People			
Moderate Climate	2-4	3-5	
Cool Climate	2-3	3-4	
RHEEM 4 STAR	347090	347135	347170
Number of People			
Moderate Climate	1-3	2-4	3-5
Cool Climate	1-2	2-3	3-4
RHEEM INDOOR	800135	800170	
Number of People			
Moderate Climate	2-4	3-5	
Cool Climate	2-3	3-4	



2-6
PEOPLE

190-360L
FIRST
HOUR
CAPACITY

10 YEAR
CYLINDER
WARRANTY^{8,9}



Model Number:
850 Series

RHEEM STELLAR®

- 5 Star energy efficiency
- High recovery 200L/hour of hot water⁶
- Mains pressure to many taps at once
- 330L or 360L first hour capacity of hot water⁶
- Modern design to complement any home
- Manufactured in Australia
- 10 year cylinder warranty⁹



Model Number:
850/854 Series

RHEEM 5 STAR

- 5 Star energy efficiency
- Mains pressure to multiple taps
- Strong recovery
- 275L or 305L first hour capacity of hot water⁶
- Manufactured in Australia
- 10 year cylinder warranty⁸

RHEEMPLUS®

- 50°C temperature limited models
- No tempering valve required¹⁰
- Adjustable to deliver 50°C at the first outlet (complying with AS 3498)



Model Number:
347 Series

RHEEM 4 STAR

- 90L, 135L and 170L capacities
- 4 Star energy efficiency
- Mains pressure
- Hi-temp thermostat, so you need less hot water¹¹
- Manufactured in Australia
- 10 year cylinder warranty⁸

¹¹ Based on the most common temperature 43°C shower through a 9 litre/minute showerhead mixing with cold water at 10°C Rheem 4 star 347 Series with thermostat set at 73°C delivers 15-20% more continual shower time than the Rheem 3 Star 311 Series with thermostat set at 65°C.



Model Number:
800 Series

RHEEM INDOOR

- 135L and 170L capacities
- Mains pressure
- Manufactured in Australia
- 10 year cylinder warranty⁸



RHEEM CONTINUOUS FLOW GAS HOT WATER



CONTINUOUS HOT WATER WHEN YOU NEED IT

Continuous Flow gas water heaters deliver hot water that will never run out because they heat water when you need it, for as long as you need it. Continuous Flow water heaters work differently from storage water heaters, only heating on demand rather than heating and storing water until needed. Mounted to the wall and taking up less space, they are ideal for a compact home site or apartment.

6 Star energy efficient Rheem Continuous Flow for hot water that never runs out.



CHOOSING THE RIGHT CAPACITY RHEEM FOR YOUR HOME

Your Rheem will be serving you for many years so it's important to choose the right capacity to meet your needs both now and as your family grows.

Factors to consider in determining your hot water needs:

- Number of bathrooms or people using hot water at once.
- Adults and children in the home (teenagers will use more hot water than young children).
- Dishwashers or washing machines connected, that use hot water at the same time.
- Will a large bathtub or spa-tub be filled using hot water?
- Your needs may also depend on the climate and water pressure. The following guide can assist you in selecting the right Rheem Continuous Flow model for your home.

Model	Rheem 12	Rheem 16	Rheem 20	Rheem 26	Rheem 27
Hot Water Flow Rate (at 25°C Temp Rise) ¹²	12L/Min	16L/Min	20L/Min	26L/Min	27L/Min
No. of Bathrooms Moderate Climate	1	1.5	2	2.5	3
No. of Bathrooms Cool Climate	1	1	1.5	2	2.5

DESIGNED TO DISAPPEAR

Your Rheem Continuous Flow water heater can be neatly hidden away to save even more space.

Pipe covers in matching colour will conceal pipework.

Recess boxes will set your Rheem into the wall.



1-6
PEOPLE

12L-54L
/MIN
CAPACITY

10 YEAR
HEAT EXCHANGER
WARRANTY¹⁴

WHY RHEEM CONTINUOUS FLOW?

Sizes to suit every home, apartment or family – 12L, 16L, 20L, 26L and 27L/minute capacities.¹²

6 Star energy rating to save money and the environment.

Designed for Australia's tough conditions, combining international expertise with over 75 years of experience in Australia.

10 year heat exchanger warranty.¹⁴

Flamesafe® overhear protection, which automatically shuts down your heater should it overheat.

Rheem EZ LINK® delivers up to 54L/minute by linking 2 Rheem units to act as one, thereby doubling capacity.¹²

Rheem Q Factor™ for rapid hot water every time, without the fluctuation when multiple taps demand hot water, which can occur with some Continuous Flow units.

Family safety with electronic control for accurate and reliable water temperature, reducing the risk of scalding.

Electronic Remote Temperature Controllers for accurate setting of the ideal and safest temperature.

Solar ready Rheem 70°C capable models are compatible with solar systems without the need for special fittings.¹⁵

Factory pre-set 50°C models available, requiring no tempering valve.¹³

Full technical support through Rheem's National Service Network.

Compact size for flexibility in design to suit every installation.

Available to suit either Natural Gas or Propane.

Internal 27L model available, with matched flue system.

WITH RHEEM YOU'RE IN CONTROL

Rheem delivers added safety by putting you in control of the hot water in your home.

NEW Rheem EZiSET® app

Set your ideal bath temperature and water level with your Smartphone. Optional Rheem EziSET available – 052310.

Uses the security and superior signal strength of your home WiFi and powerline network.



Model Number:
876T26

Rheem Standard and Deluxe Electronic Temperature Controllers are optional on all models, allowing you to choose the exact temperature you need and to guard against scalding. Rheem Bathroom Controllers can be set up to 50°C. Deluxe Controllers also offer a “bath fill” mode, to turn off the water flow once the bath is filled.



SOLAR THAT SAVES

WHY RHEEM SOLAR

Energy efficient – can save up to 65% of water heating energy consumption.¹⁶

Reduces carbon emissions – solar systems can save from 1.7 to 2.6 tonnes of greenhouse gas emissions every year.¹⁹

Minimise reliance on fossil fuels and protect yourself against energy costs – take advantage of Australia's abundant supply of sunlight, and reduce your reliance on expensive, non-renewable gas and electricity.²⁰

Complete range – the Rheem solar range includes both split, ground mounted systems and complete roof mounted models in a variety of capacities from 160 – 410 litres.

All weather protection – Rheem Premier® Loline series feature unique, drain-back heat exchange technology, that prevents the solar system from freezing, or overheating during weather extremes.

Booster options – Rheem solar systems are available with electric or gas boosting, providing hot water during cloudy or rainy weather.

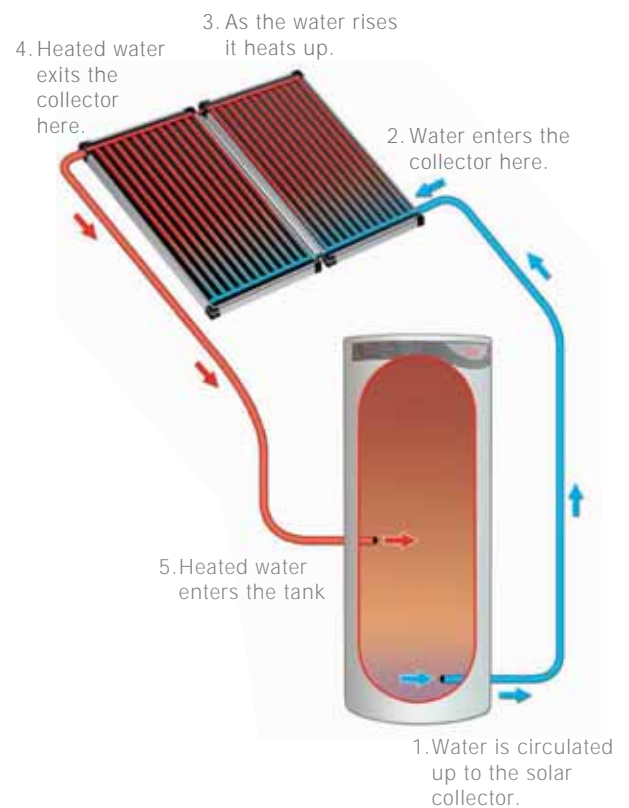
Eligible for financial benefits – A STCs financial benefit is available for installing solar water heating.²¹

Visit www.rheem.com.au/rebates to find out how many STCs apply to Rheem solar water heaters by zone and to download the Rheem STC Assignment form.



HOW SOLAR WORKS

Solar water heaters work by absorbing energy from the sun's rays in the roof mounted solar collectors and transferring this to heat water stored in the tank. Ground mounted direct systems rely on a circulator to push the water through the system, whereas roof mounted systems rely on a natural 'thermosiphon' effect. Water passes through the solar collector where it is heated, then moves out of the collector and into the tank. The tank gradually gets hotter until the water reaches its maximum stored temperature. Indirect systems use a special heating fluid, rather than water to absorb heat from the collectors. The heat is transferred to the water in the tank via a heat exchanger.





1 - 7
PEOPLE

180-410L
CAPACITY

5&7 YEAR
CYLINDER
WARRANTY^{17,18}

GROUND MOUNTED SYSTEMS



Model Number:
591270/2SP

PREMIER LOLINE (Electric boosted)

- Indirect design with complete frost protection - ideal for even the coldest of climates.
- Features drain-back heat exchange technology, to maximise solar gain and protect against weather extremes
- Electric boost
- The split design reduces the structural load on your roof.



Model Number:
596270/2SP

PREMIER LOLINE (Gas boosted)

- Indirect design with complete frost protection - ideal for even the coldest of climates.
- Integrated continuous flow gas booster provides backup during periods of low or no solar gain.
- The split design reduces the structural load on your roof.



Model Number:
511325/2NPT

LOLINE

- The multi-riser solar collectors efficiently absorb energy from the sun.
- Economical to purchase.
- Automatic, electronic controls maximise solar gain.
- Suitable with NPT or LCS collector

ROOF MOUNTED SYSTEMS



Model Number:
52H300/2SP

PREMIER HILINE

- Features an indirect heat exchange design, providing reliable operation in any climate.
- Lightweight and durable stainless steel tank cylinder (52H Series).
- Space saving roof mounted installation.
- Suitable for use in areas subject to freezing conditions.
- Suitable for use with a wide range of water chemistries (52C Series)



Model Number:
52D300/2NPT

HILINE®

- Ideally suited to warmer climates.
- Does not require pumps and controllers.
- Relies on water moving through the solar collectors and into the tank using energy absorbed from the sun.

SMALL-SCALE TECHNOLOGY CERTIFICATES

Small-scale Technology Certificates (STCs) provide a financial benefit to encourage the installation of solar water heaters provided under a Federal Government legislated scheme.

STCs can be created for eligible solar water heater installations. One STC is equivalent to a megwatt hour (MWh) of electricity displaced by an eligible system, over a ten year period.

To find out more about eligibility criteria visit www.rheem.com.au/rebates

NEXT GENERATION SOLAR

Traditionally solar water heaters have proven themselves to be an energy efficient renewable water heating alternative to gas and electric systems. And while solar systems continue to be an efficient way to heat water, heat pump water heating technology also saves on energy consumption and greenhouse gas emissions.

Works day and night,
as they don't rely on
daylight to operate.

WHY RHEEM HEAT PUMP?

Energy efficient – can save on energy use and greenhouse gas emissions by up to 61%.²⁴

No solar collectors – reduces structural load on your roof, and can be used where roof collectors aren't suitable.

Replacement for electric water heaters – uses the same plumbing and electrical connections as an electric water heater, making it an ideal upgrade from a standard electric water heater.

2 piece design – results in a reduced handling weight, making it easy to deliver and install on site.

Back up element fitted in every model – delivers hot water even on the coldest of winter nights.

Eligible for incentives – Rheem Heat Pumps are eligible to receive Small-scale Technology Certificates (STCs).²⁵

5 year cylinder warranty & 2 years on the sealed system.²³

HOW A HEAT PUMP WORKS

Rheem Heat Pumps deliver hot water by efficiently utilising a free and abundant source of energy – the heat that is in the air around us. Refrigerant vapour compression technology enables the heat pump to intensify this heat, which is used to produce hot water. Rheem Heat Pumps are more efficient during warmer months, and will operate for less hours during the day than in colder months of the year. See illustration below.



When power is available, the Heat Pump heating cycle will continue until the tank is full of hot water.



SOLAR

2-6

PEOPLE

310-325L

CAPACITY

5 YEAR

CYLINDER
WARRANTY²³

THE RIGHT RHEEM FOR YOU



Model Number:
551325

MPI-Series II

- Ideal upgrade for an electric storage water heater, featuring common plumbing and electrical connections.
- Can connect to economical extended off-peak tariffs for maximum savings on running costs²².
- Whisper technology enables quieter operation.
- Heat Pump module is located well below the fence line, which keeps noise away from windows.
- Two piece interconnecting design allows for easy one-person installation.
- Suitable for warm and tropical climates. Not available in Tasmania.
- Available in RheemPlus® 50°C temperature models.

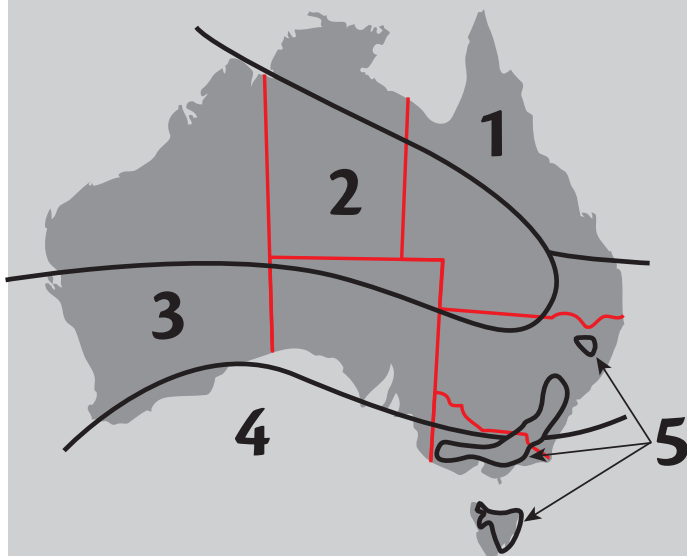


Model Number:
551310

HDi-310

- Heavy duty model
- Top Down Heating delivers 60°C hot water, fast.
- High heating power means fast recovery to provide all the hot water you'll need.
- Interconnecting design fits onto a standard outdoor electric water heater footprint.
- Suitable for cooler climates. Please note Rheem does not recommend installation in Zone 5.
- LEDs to indicate operating status

SMALL-SCALE TECHNOLOGY CERTIFICATES



Small-scale Technology Certificates (STCs) provide a financial benefit to encourage the installation of solar and heat pump water heaters through a Federal Government legislated scheme.

This map shows the climate Zones within Australia which will define the number of STCs allocated to an eligible solar and heat pump water heater.

As of the 1st of November 2012, Zone 5 was added to the list of Zones eligible to create STC's for an eligible Air Sourced Heat Pump installation. Visit www.cleanenergyregulator.gov.au/ret for a list of postcodes by Zone, including zone 5.

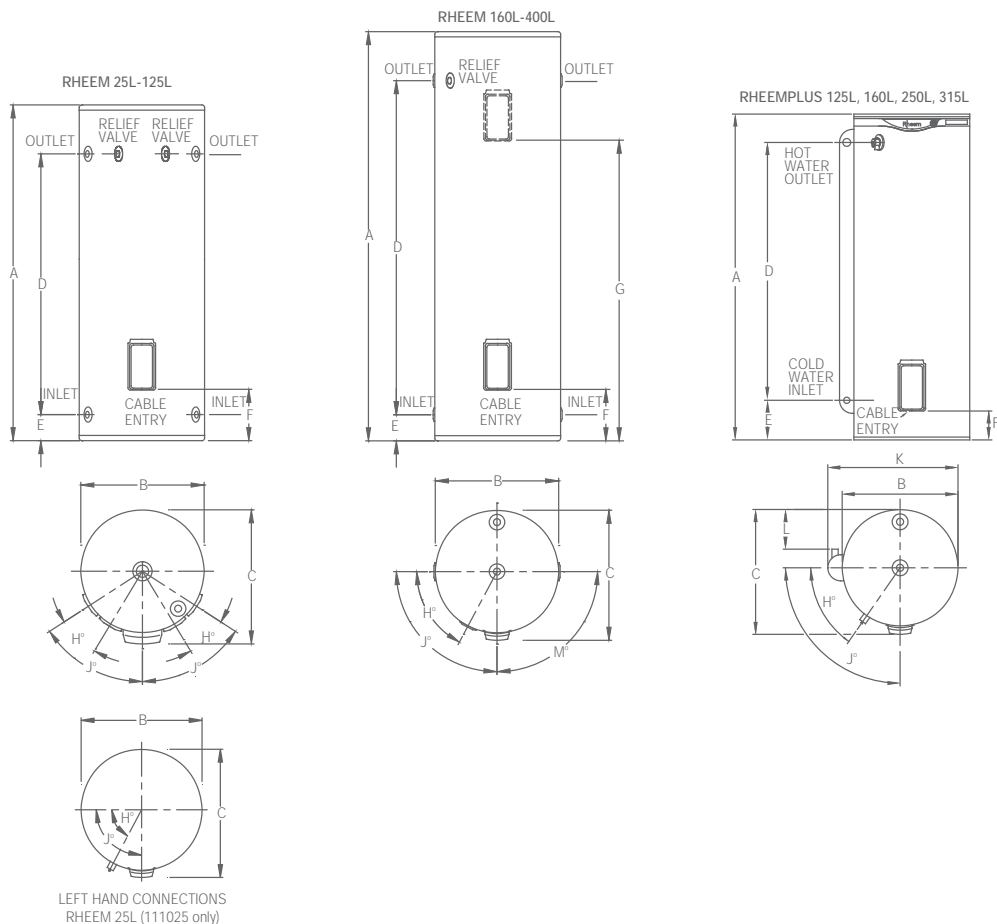
To claim your STC entitlement, simply complete the STC Assignment form and attach the necessary documentation.

Visit www.rheem.com.au/rebates to find out how many STCs apply to Rheem Solar Water Heaters and Heat Pumps by zone and to download the Rheem STC Assignment form.

RHEEM ELECTRIC STORAGE PRODUCT DATA

		Warranty				Model						
		25	25	45	50	80	125	160	250	315	400	
Rheem 191 Series Single Element	7 years ¹	111025 111025/P	191025 191025/P	191045	191050 191050/P	–	–	–	–	–	–	
Rheem 491 Series Single Element	12 years ²	–	–	–	–	491080	491125	491160	491250	491315	491400	
Rheem 492 Series Twin Element	12 years ²	–	–	–	–	–	–	492160	492250	492315	492400	
RheemPlus® Single Element	12 years ²	–	–	–	–	–	421125	421160	421250	421315	–	
Hot Water Delivery	Litres	21	25	47**	50	80	125	160	250	315	400	
Storage Capacity	Litres	25	29	50	53	90	135	165	270	324	412	
Boost Capacity Twin Element		–	–	–	–	–	–	45	50	50	90	
Dimensions	A	mm	390	430	670	695	945	1340	1610	1395	1640	1840
	B	mm	385	400	400	400	480	480	480	640	640	690
	C	mm	420	436	436	436	515	515	515	680	680	735
	D	mm	130	106	347	397	702	1102	1332	1117	1317	1479
	E	mm	116	142	142	142	64	64	104	73	113	121
	F	mm	75	60	60	80	66	66	66	103	103	105
	G	mm	–	–	–	–	–	–	1081	988	1228	1323
	H	deg	26	26	26	26	24	24	23	32	32	30
	J	deg	65	64	59	59	60	60	58	88	88	83
	K	mm	–	–	–	–	–	545	–	705	705	–
L	mm	–	–	–	–	–	183	183	262	262	–	
M	deg	–	–	–	–	–	–	58	92	92	97	
Approx. Weight Packaged	kg	17	19	25	26	38	52	60	82	97	120	

Rheem 111025,421 Series RheemPlus® models have left hand connections only.
 191, 491 & 492 Series Rheem models have left and right hand connections.
 111, 160 to 400 models have TPR valve fitting on the left hand side only.
 ** Rated hot water delivery is 40L in accordance with AS/NZS 4692.1. Actual hot water delivery is 47L when tested for AS/NZS 4692.1
 Technical data is subject to change.



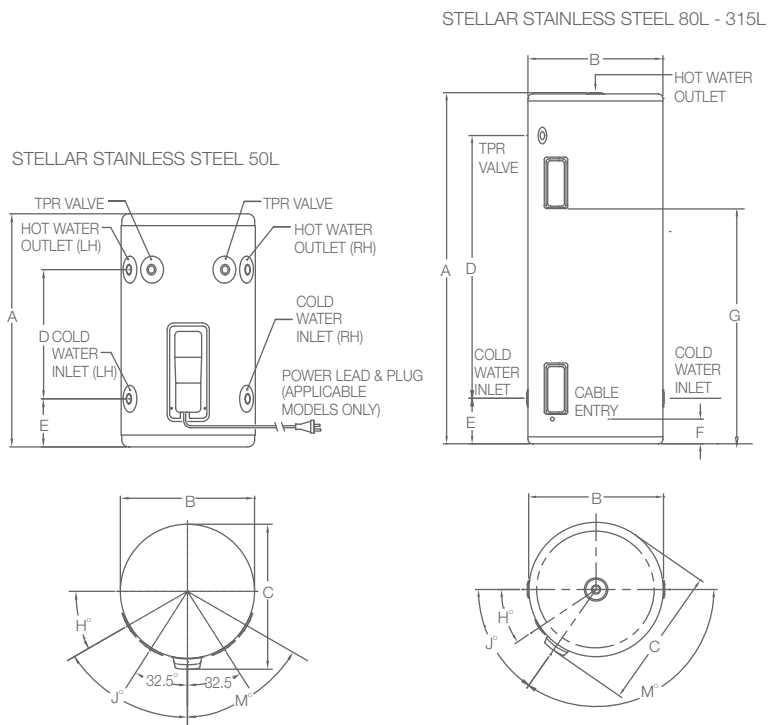
RHEEM ELECTRIC STORAGE STELLAR STAINLESS STEEL

Warranty ³			Model					
Rheem Stellar® Stainless Steel			50	80	125	160	250	315
Single Element	12 years	4A1050	4A1080	4A1125	4A1160	4A1250	4A1315	
Twin Element	12 years					4A2250	4A2315	
Hot Water Delivery	Litres	50	80	125	160	250	315	
Storage Capacity	Litres	54	80	135	165	270	324	
Boost Capacity Twin Element		—	—	—		52	62	
Better than MEPS by		4.8%	24%	17%	12%	19%	17%	
Dimensions	A	mm	695	885	1295	1615	1440	1760
	B	mm	400	490	490	490	620	620
	C	mm	432	500	500	500	630	630
	D	mm	385	510	920	1240	990	1310
	E	mm	145	185	185	185	230	230
	F	mm	83	120	110	110	145	145
	G	mm	—	—	—	—	939	1207
	H	deg	30	25	25	25	30	30
J	deg	60	55	55	55	60	60	
M	mm	—	125	125	125	120	120	
Approx. Weight Packaged	Kg	16	23	31	37	45	54	

Technical data is subject to change.

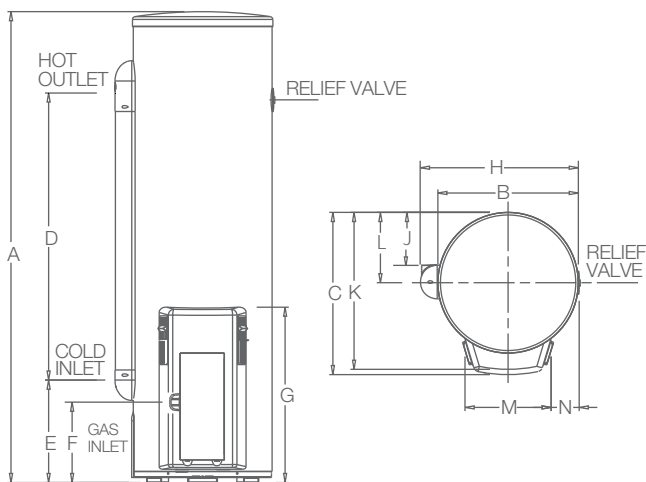
Warranty and conditions

- Warranty: 7 year cylinder warranty, 3 year labour warranty on the cylinder, 1 year parts and labour warranty on all other components for domestic (non-commercial) installations. Conditions apply, see the Rheem warranty set out in the product's Owner's Guide or view it at www.rheem.com.au/warranty
- Warranty: 12 year cylinder warranty, 1 year labour warranty on the cylinder, 1 year parts and labour warranty on all other components for domestic (non-commercial) installations. Conditions apply, see the Rheem warranty set out in the product's Owner's Guide or view it at www.rheem.com.au/warranty
- Warranty: 12 year cylinder warranty, 3 year labour warranty on the cylinder, 1 year parts and labour warranty on all other components for domestic (non-commercial) installations. Conditions apply, see the Rheem warranty set out in the product's Owner's Guide or view it at www.rheem.com.au/warranty
- MEPS: Minimum Energy Performance Standards are a regulated requirement that electric water heaters sold in Australia must meet. Performance varies by model. Refer to the Specification table for individual model performance.
- Up to 42% lighter than comparable Rheem vitreous enamel water heater models of the same capacity.



RHEEM GAS STORAGE PRODUCT DATA

MODEL	Rheem 4 Star			Rheem 5 Star		Rheem Stellar®		Rheem Indoor	
	90	135	170	265	295	330	360	135	170
Model Number	347090	347135	347170	850265	850295	850330	850360	800135	800170
RheemPlus®	–	–	–	854265	854295	–	–	–	–
Number of People:	Moderate Climate	2-4	3-5	2-4	3-5	2-5	3-6	2-4	3-5
	Cool Climate	1-2	2-3	3-4	2-3	3-4	2-4	3-5	2-3
Warranty (years) ^{8,9}	10	10	10	10	10	10	10	10	10
Gas Type	Natural Gas	Natural Gas/Propane		Natural Gas ¹¹		Natural Gas ¹¹		NG/Propane	Natural Gas
GAS Energy Rating	4.0	4.0	4.1	5.3	5.3	5.2	5.0	3.0	2.8
Storage Capacity (Litres)	90	135	170	130	160	130	160	135	170
Recovery Rate (L/Hour@45°C) Natural Gas	100	113	113	145	145	200	200	120	126
First Hour Capacity (Litres)	190	248	283	275	305	330	360	255	296
Hourly Gas Consumption (MJ/Hr) Nat/Prop	25/na	27/26	27/26	30/na	30/na	42/na	42/na	30/30	30/na
Dimensions mm									
A	1158	1558	1858	1600	1900	1600	1900	1615	1915
B	422	422	422	490	490	485	485	425	425
C	502	502	502	556	556	558	558	500	500
D	588	988	1213	988	1213	988	1213	988	1213
E	328	328	403	332	407	328	409	328	403
F	298	298	298	302	302	298	298	297	297
G	1078	1478	1778	605	605	770	770	1490	1790
H (RheemPlus® Only)				545	545				
J (RheemPlus® Only)				182	182				
K	473	473	473	528	528	520	520	490	490
L	208	208	208	240	240	252	252	213	213
M				300	300	299	299		
N				95	95	93	93		
Weight Packaged (kg)	53	69	80	90	100	87	101	56	65
Relief Valve Setting (kPa)		1400		1400		1400		1400	
Expansion Control Valve Setting (kPa)		1200		1200		1200		1200	
Max Water Supply Pressure:									
with ECV (kPa)		960		960		960		960	
without ECV (kPa)		1120		1120		1120		1120	
Water Connections		Rp ¾		Rp ¾		Rp ¾		Rp ¾	
Water Connections (RheemPlus)				G¾B					
Gas Connection		Rp ½		Rp ½		Rp ½		Rp ½	



Warranty and conditions

- Based on 45°C temperature rise.
- Guide only. Based on a cold water temperature of 15°C.
- Warranty: 10 year cylinder warranty, 1 year labour on cylinder, 1 year parts and labour warranty on all other components for domestic (non-commercial) installations. Conditions apply, see the Rheem warranty set out in the product's Owner's Guide or view it at www.rheem.com.au/warranty
- Stellar Warranty: 10 year cylinder, 3 years labour on cylinder, 1 year parts and labour warranty on all other components for domestic (non-commercial) installations. Conditions apply, see the Rheem warranty set out in the product's Owner's Guide or view it at www.rheem.com.au/warranty
- Some applications require a tempering valve in accordance with AS/NZS 3500:4
- These models are not available in propane.

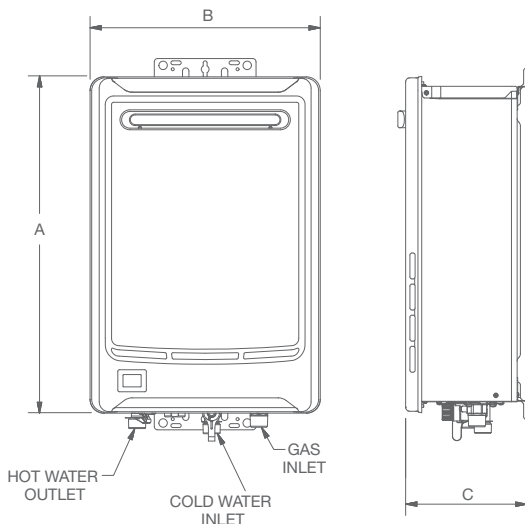
GLOSSARY OF TERMS

Recovery rate – the volume of water a heater can reheat in one hour. Measured as the volume of completely cold water (should the water heater be run completely out) that can be heated to 45°C over the cold water temperature.

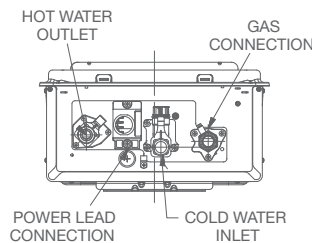
First Hour Capacity – a measure of water heater capacity that combines both the stored hot water volume & the hourly recovery rate (eg: if a water heater has storage capacity of 130L and a recovery rate of 200L/hour, its First Hour Capacity is 330L).

RHEEM CONTINUOUS FLOW PRODUCT DATA

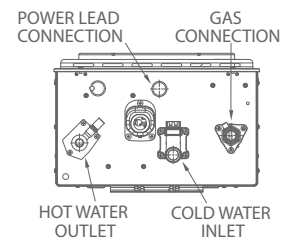
MODEL	Rheem 12		Rheem 16		Rheem 20		Rheem 26		Rheem 27		Rheem 27 Internal	
	876812	874812	876T16	874T16	876820	874820	876T26	874T26	876627	874627	866627	864627
Maximum Temperature °C	50	60	50	60	50	60	50	60	50	60	50	60
Number of Bathrooms	1		1 – 1.5		1.5 – 2		2 – 2.5		2.5 – 3		2.5 – 3	
Gas Type	Natural Gas/Propane		Natural Gas/Propane		Natural Gas/Propane		Natural Gas/Propane		Natural Gas/Propane		Natural Gas	
GAS Energy Rating	6 Stars		6 Stars		6 Stars		6 Stars		6 Stars		6 Stars	
Flow Rate L/Min at 25°C Rise ¹²	12L/Min		16L/Min		20L/Min		26L/Min		27L/Min		27L/Min	
Minimum Operating Flow Rate	2.0L/Min		2.0L/Min		2.0L/Min		2.0L/Min		2.0L/Min		2.0L/Min	
Nominal Gas Consumption	94 MJ/Hr		126 MJ/Hr		157 MJ/Hr		199 MJ/Hr		205 MJ/Hr		205 MJ/Hr	
Dimensions												
A - Height mm	520		520		520		520		600		650	
B - Width mm	355		355		355		355		350		350	
C - Depth mm	187		187		187		187		226		250	
Depth – from wall to Hot Water Outlet	87		87		87		87		84		107	
Depth – from wall to Cold Water Inlet	68		68		68		68		64		86	
Depth – from wall to Gas Inlet	77		77		77		77		97		119	
Weight (empty)	16kg		16kg		16kg		16kg		23kg		24kg	
Max. Water Supply Pressure	1000kPa		1000kPa		1000kPa		1000kPa		1000kPa		1000kPa	
Min. Water Supply Pressure	120kPa		120kPa		120kPa		120kPa		140kPa		140kPa	
Cold Water Connection	R ¾		R ¾		R ¾		R ¾		R ¾		R ¾	
Hot Water Connection	R ¾		R ¾		R ¾		R ¾		R ¾		R ¾	
Gas Connection	R ¾		R ¾		R ¾		R ¾		R ¾		R ¾	
Temperature Controllers												
Kitchen	299850		299850		299850		299850		299850		299850	
Bathroom 1	299851		299851		299851		299851		299851		299851	
Bathroom 2	299852		299852		299852		299852		299852		299852	
Deluxe Temperature Controllers												
Kitchen	299858		299858		299858		299858		299858		299858	
Bathroom 1	299859		299859		299859		299859		299859		299859	
Bathroom 2	299860		299860		299860		299860		299860		299860	
Accessories												
Pipe Cover	299426		299426		299426		299426		299425			
Recess Box	299842		299842		299842		299842		299831		Rheem 27 Internal must only be installed using certified Rheem coaxial flue components. Do not use any other type of flue system.	
Rheem EZ Link Kit	299291		299291		299291		299291		299291			
Wall Mount Security Kit	299868		299868		299868		299868		299868			
Security Cage	299867		299867		299867		299867		299867			
Flue Diverter (Standard)	299287		299287		-		299287		-			
Flue Diverter (Extended)	-		-		-		299285		-			
Rheem EZiSET® kit - 052310	Suitable for models: Rheem 12 (876812), Rheem Metro 16 (876T16), Rheem 20 (876820), Rheem Metro 26 (876T26), Rheem 27 (876627, 876027, 866627, 866027). Suitable for Rheem 12-26L manufactured since 2018, and all Rheem 27L models.											



RHEEM 12/16/20/26



RHEEM 27



Warranty and conditions

- Guide only, subject to ambient water temperature and pressure, correct pipe sizing and appliance flow rates.
- 50°C factory pre-set models supply hot water at a maximum 50°C at all outlets in accordance with AS3498. Some applications may require tempering, refer to AS 3500:4. 60°C models must have a tempering valve installed in accordance with AS 3500:4
- Warranty: 10 Years parts and 3 Years labour on Heat Exchanger, 3 Years parts & labour on other components, when installed in a domestic dwelling. For all other installations, the warranty period is 1 Year parts and labour on Heat Exchanger and other components. Conditions apply, see the Rheem warranty set out in the product's Owner's Guide or view it at www.rheem.com.au/warranty
- Applies to 70°C capable models when set to 70°C

RHEEM SOLAR PRODUCT DATA

RHEEM PREMIER® HILINE SOLAR HOT WATER HEATER - Electric and Gas boosted

MODEL - Electric Boosted	L	VITREOUS ENAMEL TANK		STAINLESS STEEL TANK			
		52C300/2NPT		52H180/1SP		52H300/2SP	
MODEL - Gas Boosted		52C300/2NPT-G		52H180/1SP-G		52H300/2SP-G	
Storage Capacity	L	300		180		300	
Solar Collectors		2		1		2	
Booster Type		Electric	Gas -remote	Electric	Gas -remote	Electric	Gas -remote
Boost Capacity	L	150	26L/min	90	26L/min	150	26L/min
People Per Household		2-5		1-2		2-5	
Dimensions & Specifications							
Height (A)	mm	2480		2520		2520	
Width (B)	mm	2425		1495		2198	
Depth (C)	mm	510		563		563	
Weight Empty – Tank	kg	109		53		78	
Weight Full – Tank	kg	409		233		378	
Weight Empty – Solar Collectors	kg	72		50		100	
Weight Full – Solar Collectors	kg	75		54		108	

RHEEM HILINE® SOLAR HOT WATER HEATER

MODEL	L	GAS BOOSTED		ELECTRIC BOOSTED	
		52D180/1NPT-G	52D300/2NPT-G	52D180/1NPT	52D300/2NPT
Storage Capacity	L	160	300	160	300
Solar Collectors	NPT200	1	2	1	2
Booster Type		Gas – Remote	Gas – Remote	Electric	Electric
Boost Capacity	L	26L/min	26L/min	80	160
People Per Household		1-3		2-5	
Dimensions & Specifications					
Height (A)	mm	2480	2480	2480	2480
Width (B)	mm	1595	2410	1595	2410
Depth (C)	mm	510	510	510	510
Weight Empty – Tank	kg	62	91	62	91
Weight Full – Tank	kg	242	391	242	391
Weight Empty – Solar Collectors	kg	39	78	39	78
Weight Full – Solar Collectors	kg	41	82	41	82

RHEEM PREMIER® LOLINE SOLAR HOT WATER HEATER

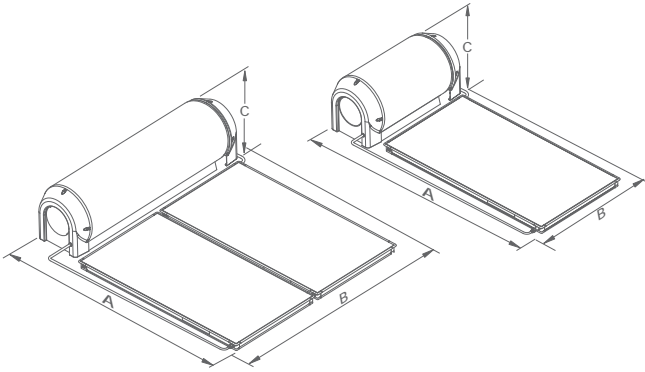
MODEL	L	GAS BOOSTED		ELECTRIC BOOSTED	
		596270/1SP-G	596270/2SP-G	591270/2SP	591270/3SP
		596270/1CS07-G	596270/2CS07-G	591270/2CS07	591270/3CS07
Storage Capacity	L	270	270	270	270
Solar Collectors		1	2	2	3
Booster Type		Gas – Integrated	Gas – Integrated	Electric	Electric
Boost Capacity	L	26L/min	26L/min	125	125
People Per Household		2-5		1-3	
Dimensions & Specifications					
Height (A)	mm	1787	1787	1775	1775
Width (B)	mm	650	650	650	650
Depth (C)	mm	890	890	682	682
Cold In (D)	mm	772	772	377	377
Hot Out (E)	mm	772	772	1078	1078
Weight Empty – Tank	kg	165	165	146	146
Weight Full – Tank	kg	435	435	416	416
Weight Empty – Solar Collectors	kg	50	100	100	150
Weight Full – Solar Collectors	kg	54	108	108	162

RHEEM LOLINE SOLAR HOT WATER HEATER

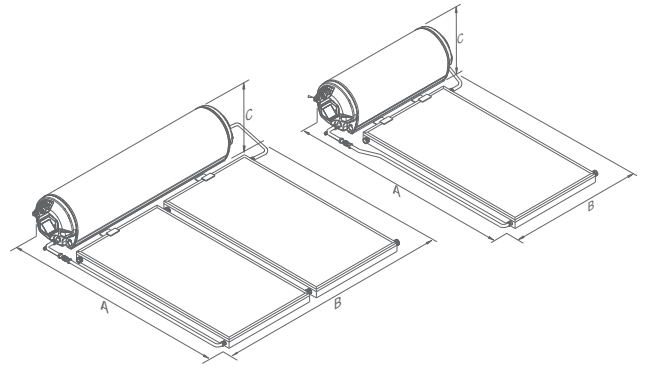
MODEL	L	GAS BOOSTED			ELECTRIC BOOSTED		
		511271/2NPT-G	511325/2NPT-G	511410/3NPT-G	511271/2NPT	511325/2NPT	511410/3NPT
		511271/2LCS-G*	511325/2LCS-G*	511410/3LCS-G*	511271/2LCS*	511325/2LCS*	511410/3LCS*
Storage Capacity	L	270	325	410	270	325	410
Solar Collectors		2	2	3	2	2	3
Booster Type		Gas – Remote	Gas – Remote	Gas – Remote	Electric	Electric	Electric
Boost Capacity	L	26L/min	26L/min	26L/min	140	170	220
People Per Household		2-5		3-7	1-3		
Dimensions & Specifications							
Height (A)	mm	1395	1640	1840	1395	1640	1840
Width (B)	mm	640	640	690	640	640	690
Depth (C)	mm	680	680	730	680	680	730
Cold In (D)	mm	73	73	81	73	73	81
Hot Out (E)	mm	1117	1357	1519	1117	1357	1519
Weight Empty – Tank	kg	82	93	116	82	93	116
Weight Full – Tank	kg	352	418	526	352	418	526
Weight Empty – Solar Collectors	kg	78	78	117	78	78	117
Weight Full – Solar Collectors	kg	82	82	123	82	82	123

*LCS Collectors are only available for installation in zones 3 & 4.

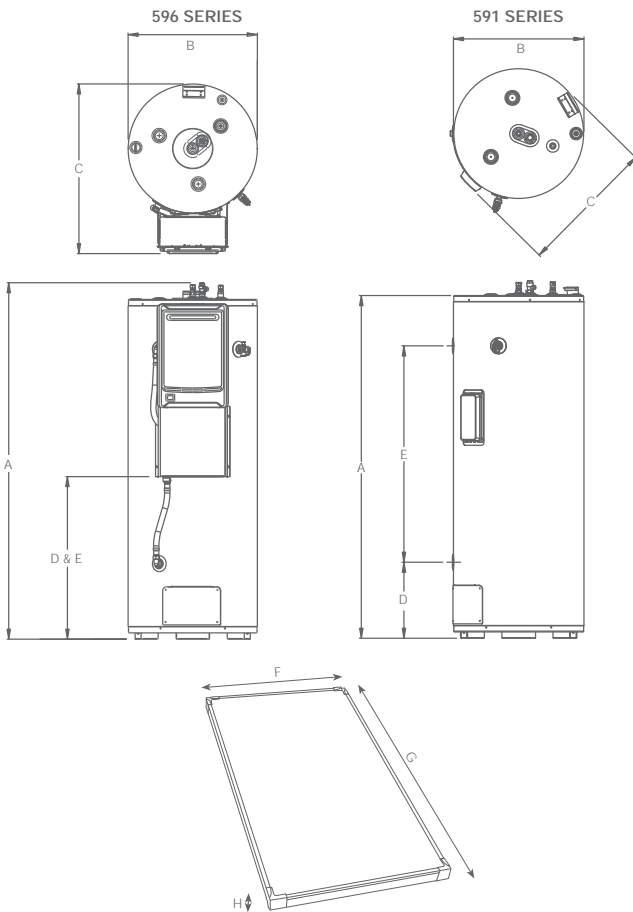
RHEEM PREMIER® HILINE SOLAR HOT WATER HEATER



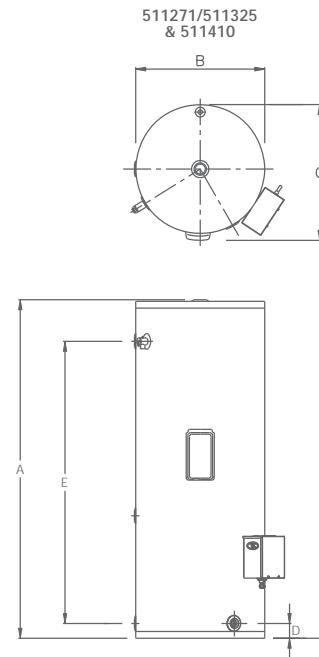
RHEEM HILINE® SOLAR HOT WATER HEATER



RHEEM PREMIER® LOLINE SOLAR HOT WATER HEATER



RHEEM LOLINE SOLAR HOT WATER HEATER



**SOLAR COLLECTOR MODELS
Dimensions and Specifications**

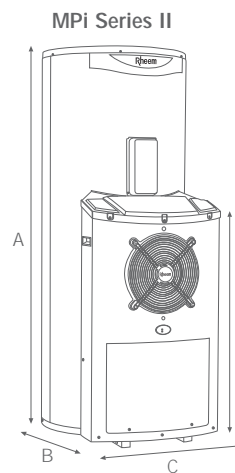
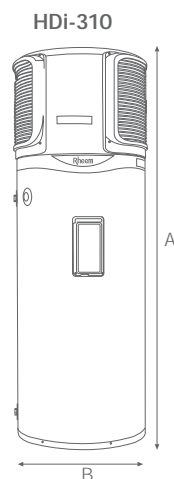
	LCS, NPT200	CSA2007, SPA2000
Width (F) mm	1023	1043
Height (G) mm	1941	1996
Depth (H) mm	83	82

Warranty and conditions

- Energy savings of up to 60% to 70% based on Australian Government Approved TRNSYS simulation modelling of a Rheem Loline with 2xNPT200 collectors, a Rheem Hiline with 2xNPT200 collectors or Rheem Premier Hiline with 2xSPA2000 collectors and using a medium load in Zone 3 and apply when replacing an electric water heater.
- Warranty: Rheem Premier® Loline/Loline/Hiline/Premier Hiline® (52C Model) 5 year supply on cylinder and solar collectors, 3 year labour on cylinder, 1 year labour on collectors, 1 year parts and labour. Applies to a single-family domestic dwelling installation only. Conditions apply, see the Rheem warranty set out in the product's Owners Guide or view it at www.rheem.com.au/warranty
- Warranty: Rheem Premier® Hiline (52H Models) 7 year supply on cylinder, 5 year supply on solar collectors, 1 year labour on cylinder, 1 year labour on collectors, 1 year parts including labour. Applies to a single-family domestic dwelling installation only. Conditions apply, see the Rheem warranty set out in the product's Owners Guide or view it at www.rheem.com.au/warranty
- Greenhouse gas emission savings based upon installing a Rheem Loline Solar Hot Water heater with 2xNPT200 collectors, a Rheem Hiline with 2xNPT200 collectors or Rheem Premier Hiline with 2xSPA2000 collectors and using a medium load in Zone 3, when replacing an electric water heater.
- Any financial savings will vary depending upon type of Rheem Solar system installed, orientation and inclination of the solar collectors, type of water heater being replaced, hot water consumption and fuel tariff. Maximum financial savings off your hot water bill are achievable when replacing an electric water heater on continuous tariff.
- Eligibility criteria apply. STC Incentive/benefit scheme is subject to change without notice.

RHEEM HEAT PUMP PRODUCT DATA

MODEL	HDi-310	MPi-325	
Product Code	551310	551325	554325
RheemPlus®			
Number of People (Moderate Climate)	3-6	2-5	2-5
Dimensions			
Height (mm)			
Module: D	N/A	1018	1018
Tank: A	1870	1631	1636
Width B (mm)	670	894	1073
Depth C (mm)	679	638	638
Weight			
Heat Pump module (kg)	48	42	42
Tank (kg)	87	88	90
Technical			
Capacity (L)	310	325	325
Power input (Watts)	1300	800	800
Refrigerant	R134a	R134a	R134a
Element Sizes (kW)	3.6	3.6	3.6
Boost Capacity (L)	220	180	180
Water Connections & Settings			
Inlet (Rp)	¾	¾	¾
Outlet (Rp)	¾	¾	¾
Tank Relief Valve Setting (kPa)	1000	1000	1000
ECV Setting (kPa)	850	850	850
Maximum Mains Pressure			
With ECV (kPa)	680	680	680
Without ECV (kPa)	800	800	800
Min. Water Supply Pressure (kPa)	200	200	200



Warranty and conditions

- The impact on an electricity account will depend on the tariff arrangement of the water heater being replaced and where you live. These Heat Pump water heaters (model / climate dependant) are recommended to either 24 hour continuous tariff or extended off-peak (min 16 hours/day). If replacing an electric water heater greater than 250 litres, heat pump connection to 24 hour continuous tariff is recommended. Before purchase consult your energy provider for more information on cost comparisons.
- Warranty: 5 year supply on cylinder, 3 year labour on cylinder, 2 year supply on sealed system including labour, 1 year supply on all other parts including labour. Applies to a single family domestic dwelling installation only. Phone 131 031 for details. Conditions apply, see the Rheem warranty set out in the product's Owner's Guide or view it at www.rheem.com.au/warranty
- Energy and greenhouse gas emissions reduction of up to 61% based on Australian Government Approved TRNSYS simulation modelling of a Rheem 551310 and Rheem 551325 heat pump water heater and apply when replacing an electric water heater in Zone 3.
- Eligibility criteria apply. STC incentive/benefit scheme is subject to change without notice.