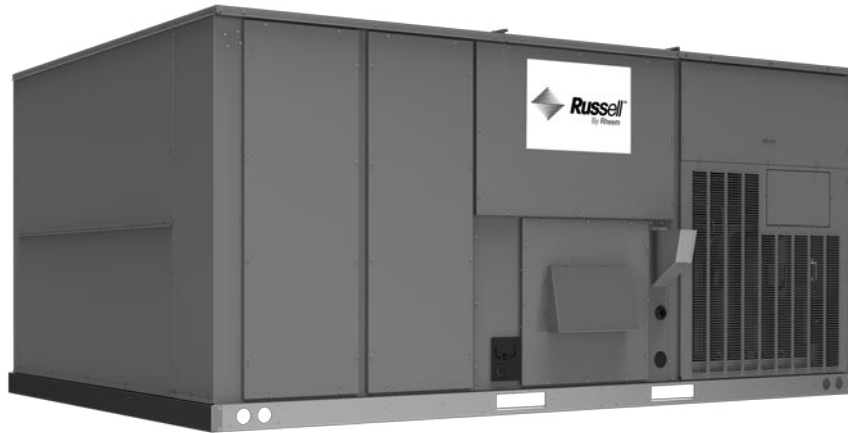




# MODEL: RACG Packaged Air Conditioner

FORM NO. SRR-993

## Russell® By Rheem Commercial Renaissance™ Line Packaged Air Conditioner



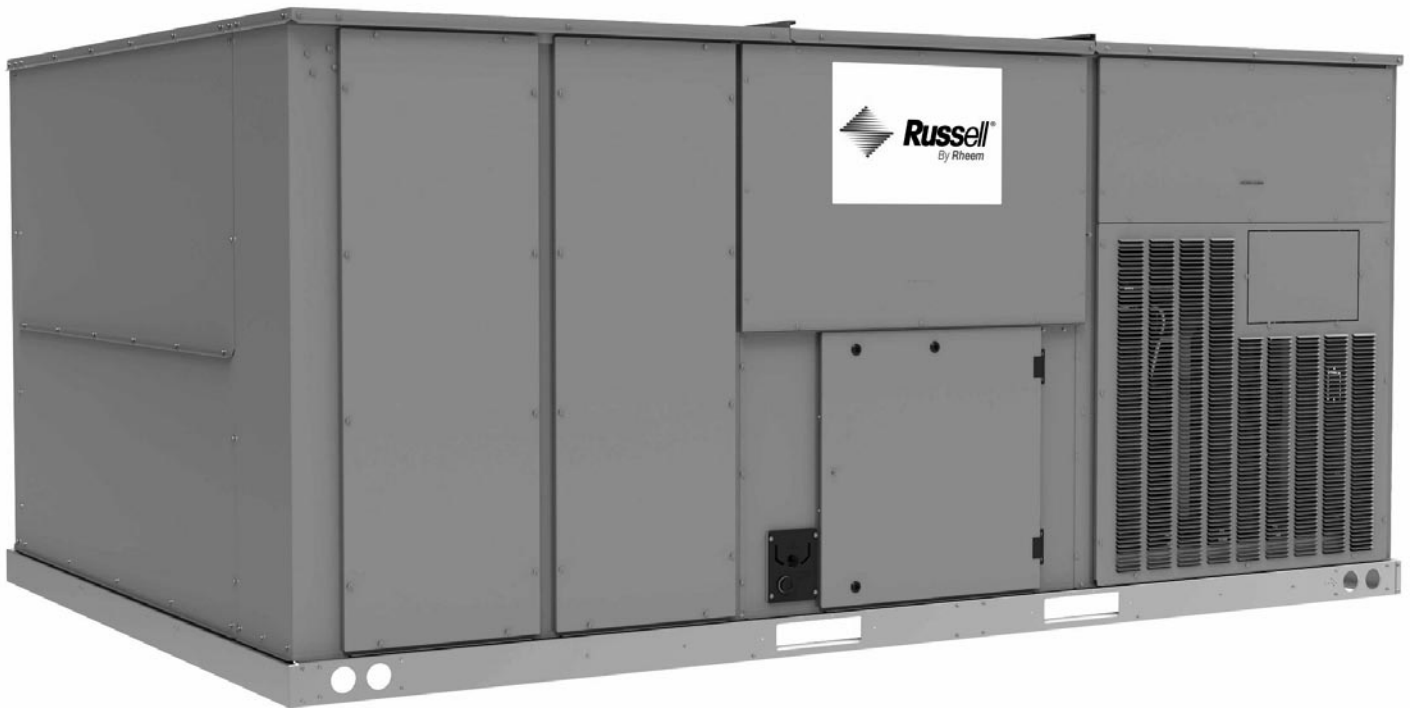
### RACG

- Nominal Sizes 15, 17.5, 20 & 25 Tons
- Meets IEER requirements for DOE 2023
- Standard VFD
- ASHRAE 90.1-2019 Compliant Models



## TABLE OF CONTENTS

Unit Features and Benefits.....	3-9
Model Number Identification .....	10
Options .....	11
Selection Procedure .....	12
General Data .....	13
General Data Notes .....	14
Gross Systems Performance Data.....	15-18
Airflow Performance Data .....	19-34
Electrical Data .....	35-42
Electric Heater Kits.....	43-58
Dimensional Data .....	59-61
Field-Installed Accessories .....	62-64
Guide Specifications .....	65-71
Limited Warranty .....	72



## RACG STANDARD FEATURES INCLUDE:

- Factory charged with R-410A HFC refrigerant
- Wired and run tested
- Scroll compressors with internal line break overload and high pressure protection
- All models have two compressor stages
- Field Convertible airflow – vertical down flow or horizontal side flow
- Forkable base rails for easy handling and lifting
- Cooling operation up to 125°F ambient
- MicroChannel evaporator and condenser coil
- ServiceSmart package includes:  
 Slide-Out Filter Rack™  
 Qwik-Slide Blower Assembly™  
 Qwik-Clean Drain Pan™
- Overflow condensate sensor
- Diagnostics with Dual 7-Segment LED Display to meet code compliance
- Base pan with drawn supply and return opening
- ¼ turn fasteners on filter access door (On hinged models only)
- Color-coded and labeled wiring
- TXV refrigerant metering system
- Solid-core liquid line filter drier
- High pressure and low pressure/loss of charge protection with built in Smart Logic
- Insulation encapsulated throughout entire unit
- High performance belt drive motor with variable pitch pulleys and quick adjust belt system
- Variable Frequency Drive (VFD) blower is standard
- Flexible footprint to support a variety of roof curbs
- MERV 8 & MERV 13 filters are available as an accessory

**FACTORY INSTALLED OPTIONS:**

- Economizer w/Single Enthalpy (Downflow/Vertical)
- Economizer w/Single Enthalpy (Downflow/Vertical) DDC
- Low-Ambient Control Kit
- Freeze Stat Kit
- Electric Heater Kits

- Return Smoke Detector (Downflow/Vertical)
- Return Smoke Detector (Horizontal)
- Return/Supply Smoke Detector (Downflow/Vertical)
- Return/Supply Smoke Detector (Horizontal)

**FIELD INSTALLED ACCESSORY EQUIPMENT:**

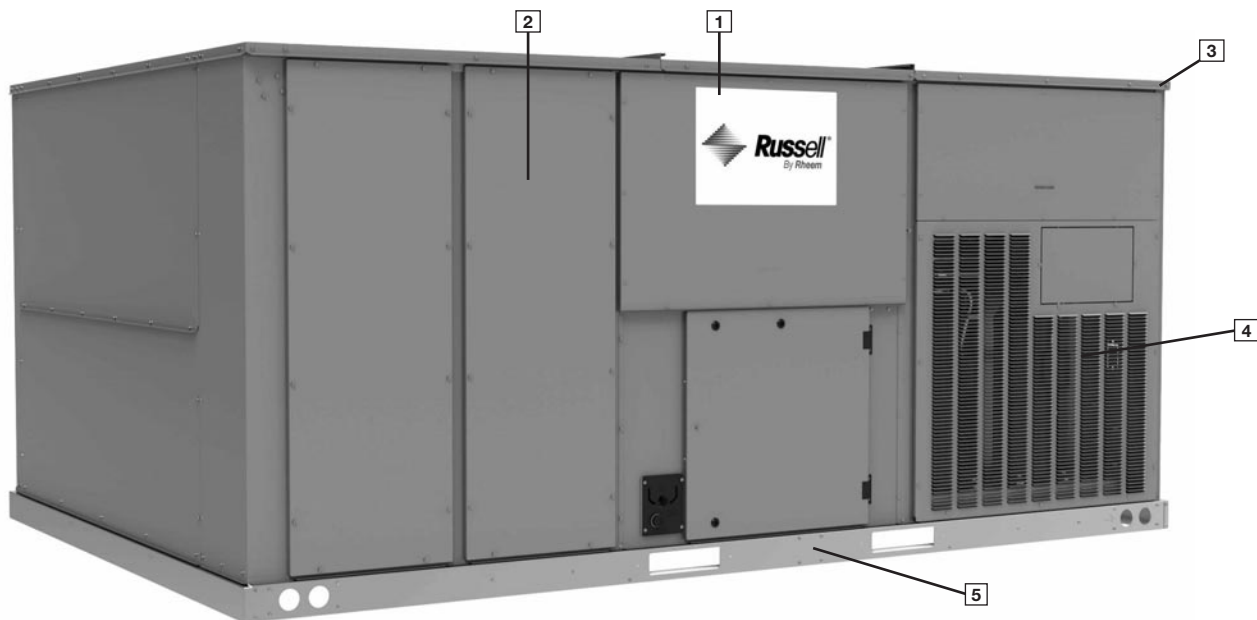
Accessory	Model Number	Factory Installation Available?
Economizer w/Single Enthalpy (Downflow/Vertical)	RXRD-01MGDAM3	Yes
Economizer w/Single Enthalpy (Horizontal)	RXRD-01MGHAM3	No
Economizer w/Single Enthalpy (Downflow/Vertical) DDC	RXRD-01MGDBM3	Yes
Economizer w/Single Enthalpy (Horizontal) DDC	RXRD-01MGHBM3	No
Dual Enthalpy Kit	RXXR-BV01	No
Dual Enthalpy Kit DDC	RXXR-BV02	No
Power Exhaust (230V)	RXXR-CGF01C	No
Power Exhaust (460V)	RXXR-CGF01D	No
Power Exhaust (575V)	RXXR-CGF01Y	No
Manual Fresh Air Damper	RXRF-AGA1	No
Motorized Fresh Air Damper	RXRF-AGB1	No
Motorized Fresh Air Damper DDC	RXRF-AGC1	No
Roofcurb, 14"	RXXR-DGC14	No
Roofcurb, 18"	RXXR-DGC18	No
Roofcurb, 24"	RXXR-DGC24	No
Roofcurb–Restraint Clips	RXXR-DGCRC	No
Roofcurb Adapter	RXXR-DCGCAE	No
Roofcurb Adapter Z-Bracket	RXXR-DGCAZ	No
Concentric Flush Mount Diffuser (15 & 17.5 Ton)	RXRN-AEF2042	No
Concentric Flush Mount Diffuser (20 Ton)	RXRN-AEF2348	No
Concentric Flush Mount Diffuser (25 Ton)	RXRN-AEF2852	No
Concentric Step Down Diffuser (15 & 17.5 Ton)	RXRN-AED2042	No
Concentric Step Down Diffuser (20 Ton)	RXRN-AED2348	No
Concentric Step Down Diffuser (25 Ton)	RXRN-AED2852	No
Concentric Adapter/Transition (15 & 17.5 Ton)	RXMC-GG01	No
Concentric Adapter/Transition (20 Ton)	RXMC-GG02	No
Concentric Adapter/Transition (25 Ton)	RXMC-GG03	No
Outdoor Coil Louver Kit	RXXR-LKG01	No

Accessory	Model Number	Factory Installation Available?	
Non-Powered Convenience Outlet	RXXR-BN01	No	
Unfused Service Disconnect	RXXR-BPG1	No	
Comfort Alert (3 phase) Non-DDC	RXXR-AZG1	No	
Comfort Alert (3 Phase) DDC	RXXR-AZG2	No	
Carbon Dioxide Sensor (Wall Mount)	RXXR-AR02	No	
BACnet Communicator Card	RXXR-AY01	No	
LonWorks Communication Card	RXXR-AY02	No	
Low-Ambient Control Kit	RXRZ-A05	Yes	
Freeze Stat Kit	RXXR-AM06	Yes	
Return Smoke Detector (Downflow/Vertical)	RXXR-BSG1	Yes	
Return Smoke Detector (Horizontal)	RXXR-BSG2	Yes	
Return/Supply Smoke Detector (Downflow/Vertical)	RXXR-BSG3	Yes	
Return/Supply Smoke Detector (Horizontal)	RXXR-BSG4	Yes	
Electric Heater Kits (with Single Point Wiring)	18 kW 208-230 V	RXJJ-G18KWC	Yes
	18 kW 460 V	RXJJ-G18KWD	Yes
	18 kW 575 V	RXJJ-G18KWY	Yes
	36 kW 208- 30 V	RXJJ-G36KWC	Yes
	36 kW 460 V	RXJJ-G36KWD	Yes
	36 kW 575 V	RXJJ-G36KWY	Yes
	54 kW 208-230 V	RXJJ-G54KWC	Yes
	54 kW 460 V	RXJJ-G54KWD	Yes
	54 kW 575 V	RXJJ-G54KWY	Yes
	72 kW 208-230 V	RXJJ-G72KWC	Yes
72 kW 460 V	RXJJ-G72KWD	Yes	
72 kW 575 V	RXJJ-G72KWY	Yes	
MERV 8 Filter	RXMF-M08A22420	No	
MERV 13 Filter	RXMF-M13A22420	No	
Unfused Service Disconnect	RXXR-BPG1	Yes	

\*No Flue Diverter Kit

\*Unfused Service Disconnect is not available for the 25 ton 230v model. These units are compatible with the Factory Option Circuit Breaker instead.





### Cabinet and Foundation

Outwardly, the large Russell® by Rheem Renaissance label (1) identifies the brand to the customer. The sheet-metal cabinet (2) uses 18-gauge material for structural components with an underlying coat of G90. To ensure the leak-proof integrity of these units, the design utilizes a top with a 1/8" drip lip (3) as well as gasket-protected panels and screws. The Russell® by Rheem hail guard (optional) (4) sets the standard for coil protection in the industry. Electro deposition, baked-on enamel that is tested to withstand a rigorous 1000-hour salt spray test, per ASTM B117.

Anything built to last must start with the right foundation. Following that model, the foundation is comprised of 14-gauge, commercial-grade, full perimeter base rails (5) that integrate fork slots and rigging holes to save set-up time on the job site.

### Easy Installation

The Renaissance line features a new footprint that simplifies the replacement process by eliminating the need for a new curb adapter and being able to match inlet, outlet and electrical connections of the most common/industry-standard configurations.

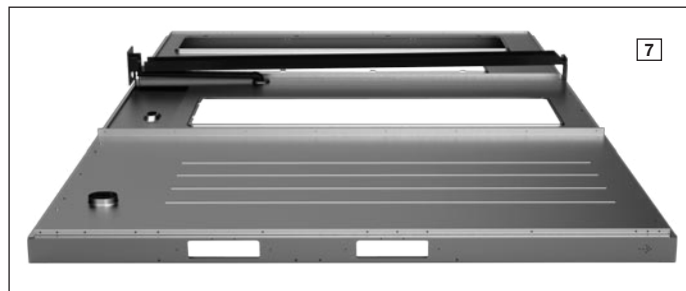
### Base Pan

The base pan is stamped to form a 7/8" flange around the supply and return cover, which eliminates the worry of water entering the conditioned space (6). All insulation is secured with both adhesive and mechanical fasteners, and all edges are hidden.



### Drain Pan

The Qwik-Clean Drain Pan™ (7) is made from a composite material that resists the growth of harmful bacteria. With both side and center drain options, the drain pan slides out completely for easy cleaning. It also features overflow detection as a standard feature.



### Test Standards

During development, each unit was tested to U.L. 1995, AHRI 340-360 as well as other Russell® by Rheem-required reliability tests. Russell® by Rheem adheres to stringent ISO 9002 quality procedures, and each unit bears the U.L. and AHRI certification labels located on the unit nameplate. Contractors can be assured that when a Russell® by Rheem packaged unit arrives at the job, it is ready to go with a factory charge and quality checks. Each unit also proudly displays the "Made in the USA" designation.

### Easy Access

All major compartments are easily accessible from the front of the unit: the electrical compartment, blower compartment, heating section, and outdoor section. Each compartment has mechanical fasteners. The filter compartment is accessed through a large, mechanically fastened panel. Information is readily available on the outside of the panel, with a nameplate that contains the model and serial numbers, electrical data, and other important unit information. Hinged access is available as an option for the electrical, blower, compressor, and filter compartments.

### Charging Charts, Wiring Diagrams, & Labels

The unit charging chart and rating plate are located on the top right corner of the economizer side of the unit. Electrical wiring diagrams are found on the control box cover, which allows contractors to move them to more readable locations. Having this information means easier model identification for the life of the product. Each unit also includes a production line quality test assurance label.



### Filter Rack

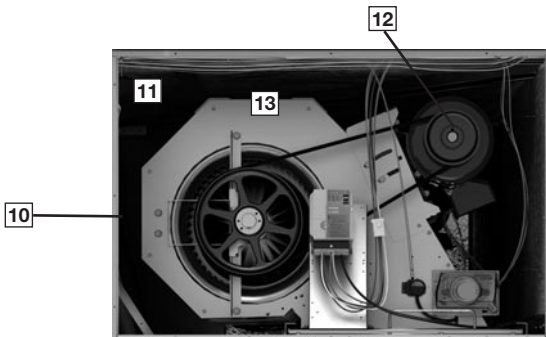
Located within the filter compartment, the Slide-Out Filter Rack™ (9) allows easy change of eight 20 x 24 x 2 standard size filters.



### Blower Assembly

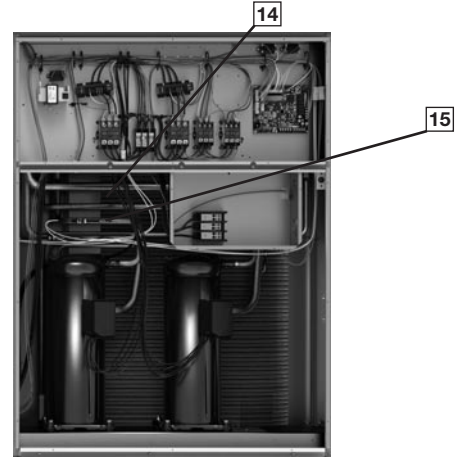
Removal of the blower access panel provides full access to the blower compartment. Inside, the Qwik-Slide Blower Assembly™ (10) allows for easy removal of the blower as an assembly. This makes servicing the blower components such as VFD, motor, and adjusting the pulley much easier. The entire assembly slides out by removing four 5/16" screws from the blower retention bracket. This compartment also includes the low ambient control. (11) The low ambient control allows the compressor to operate down to 0 degrees ambient temperature by cycling the outdoor fans on high pressure. The adjustable motor pulley (12) can easily be adjusted by loosening the bolts on either side of the motor mount. Removing the bolts allows for easy removal of the blower pulley by pushing the blower assembly up to loosen the belt. Once the pulley is removed, the motor sheave can be adjusted to the desired number of turns, ranging from 1 to 6 turns open.

Where the demands for the job require high static, Russell® by Rheem offers drives that deliver nominal airflow up to 2" of static. By referring to the airflow performance tables listed in the installation instructions, proper static pressure and CFM requirements can be dialed in. The scroll housing (13) and blower scroll provide quiet and efficient airflow. The blower sheave is secured by an "H" bushing that firmly secures the pulley to the blower shaft, resulting in years of trouble-free operation. The "H" bushing allows for easy removal of the blower pulley from the shaft. This is an improvement from a set screw, which can score the shaft and create burrs that make blower-pulley removal difficult.



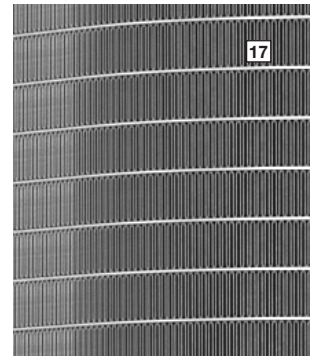
### High and Low Pressure Switches & Freeze Stat

High pressure (13) and low pressure (14) switches are standard. They are located in the outdoor section (15). The optional Freeze Stat (16), is clipped onto the suction line in the blower compartment. The high-pressure switch shuts off the compressors if pressures exceeding 650 PSIG are detected. The low-pressure switch shuts off the compressors if a low pressure of 50 PSIG is detected due to loss of charge. Built-in Smart Logic reduces nuisance calls by only shutting off compressors after the third detection. The freeze stat protects the compressor if the evaporator coil gets too cold (below freezing) due to low airflow.



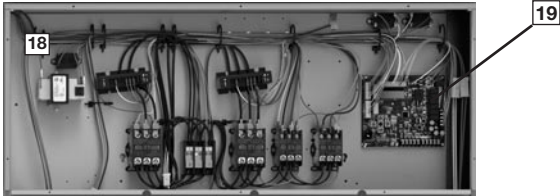
### MicroChannel Evaporator & TXV

The patent-pending dual circuit evaporator coil uses micro-channel technology for maximum heat transfer, light weight, fewer manually brazed connections and reduced refrigerant charge (17). The TXV metering devices maintain superheat over a wide range of varying temperatures optimizing unit performance for all conditions.



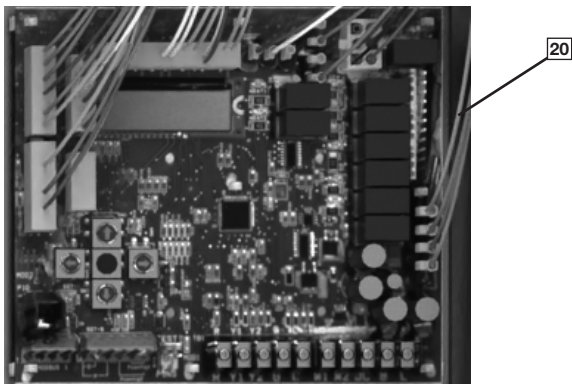
## Control Box

Inside the control box (18), each electrical component is clearly labeled; that label matches the component to the wire diagram for ease of trouble shooting. Some wiring is numbered on each end of the termination and is color-coded to match the wiring diagram. The control transformer has a low voltage circuit breaker that trips if an electrical short occurs. There is a compressor contactor for each compressor.



## ClearControl™

The optional ClearControl™ system (19) consisting of a rooftop unit controller, temperature sensors, and pressure sensors, allows real-time monitoring and communication between rooftop units. The Rooftop Unit Controller (RTU-C) that is factory mounted and wired into the control panel. The RTU-C is a solid-state, micro-processor-based control board that provides flexible control and extensive diagnostics for all unit functions. The RTU-C, using proportional/integral control algorithms, performs specific unit functions that govern unit operation in response to zone conditions, system temperatures, system pressures, ambient conditions, and electrical inputs. The RTU-C features a 16 x 2 character LCD display and a five-button keypad for local configuration and direct diagnosis of the system (20). Features include a clogged filter switch (CFS), fan proving switch (FPS), return air temperature sensor (RAT), discharge air temperature sensor (DAT), and outdoor air temperature sensor (OAT). Freeze sensors (FS) are used in place of freeze stats to allow measurement of refrigerant suction line temperatures.

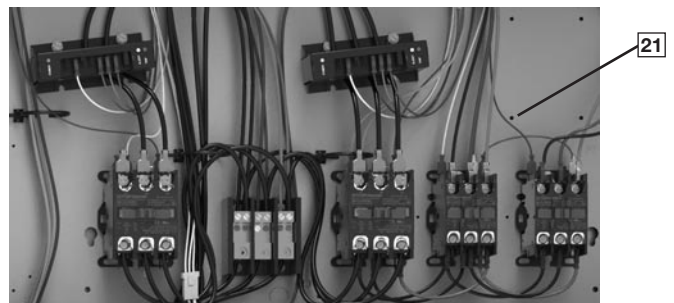


The unit with the RTU-C is specifically designed to be applied in four distinct applications:

1. **BACnet Communication** — The unit is compatible with a third party building management system that supports the BACnet Application Specific Controller device profile, with the use of a field installed BACnet Communication Module. The BACnet Communication Module plugs onto the unit RTU-C controller and allows communication between the RTU-C and the BACnet MSTP network. A zone sensor, a BACnet network zone sensor, a BACnet thermostat, or DDC controller may be used to send the zone temperature or thermostat demands to the RTU-C. The BACnet Communication Module is compatible with MSTP EIA-485 daisy chain networks communicating at 38.4 bps. It is compatible with twisted pair, shielded cables.
2. **LonWorks Communication** — The unit is compatible with a third party building management system that supports the LonMark Space Comfort Controller (SCC) functional profile or LonMark Discharge Air Controller (DAC) functional profile. This is accomplished with a field installed LonMark communication module. The LonMark Communication Module plugs onto the RTU-C controller and allows communication between the RTU-C and a LonWorks network. A zone sensor, a LonTalk network zone sensor, or a LonTalk thermostat or DDC controller may be used to send the zone temperature or thermostat demands to the RTU-C. The LonMark Communication Module utilizes an FTT-10A free topology transceiver communicating at 78.8 kbps. It is compatible with Echelon qualified, twisted pair cable, Belden 8471, or NEMA Level 4 cables. The module can communicate up to 1640 feet with no repeater. The LonWorks limit of 64 nodes per segment applies to this device.
3. **24V Thermostat Compatibility** — The unit is compatible with a programmable 24 volt thermostat. Connections are made via conventional thermostat screw terminals. Extensive unit status and diagnostics are displayed on the LCD screen of the RTU-C.
4. **Zone Sensor Compatibility** — The unit is compatible with a zone sensor and a mechanical or solid state time clock connected to the RTU-C. Extensive unit status and diagnostics are displayed on the LCD screen of the RTU-C.

## ComfortAlert®

A factory or field installed Comfort Alert® (21) module is available for power phase-monitoring protection and additional compressor diagnostics. The alarms can be displayed on the RTU-C display or through the (BAS) network.



### Variable Frequency Drive

The supply fan Variable Frequency Drive (VFD) (22) comes standard and optimizes energy usage year round by providing a lower speed for first stage cooling operation, improving IEER's over the conventional constant fan system. Operating in the constant fan mode at the reduced speed can use as little as 1/5 of the energy of a conventional constant fan system. Also, by operating at a lower speed on first stage cooling, up to 126% more moisture is removed, improving comfort during low load operation. VFD comes standard in every model. The VFD supply fan factory option meets California Title 24 and ASHRAE 90.1-2019 requirements for multi blower speed control. VFD also ramps up to the desired speed, reducing stress on the supply fan components and noise from a sudden inrush of air. Because the airflow is cut in half during first stage cooling and constant fan operation, noise is much less during these modes of operation.



### Convenience Outlet, Disconnect, & Circuit Breaker

For added convenience in the field, factory-installed options of powered and non-powered convenience outlet (23), disconnect (24) and circuit breakers are available. Low and high voltage can enter from the side or through the base.



### Easily Accessible Gauge Ports

To the right of the compressor compartment are the easily accessible gauge ports. They are identified by labeling that identifies the compressor circuit, high pressure connection, (25) and low pressure connection (26). Because the gauge ports are mounted externally, an accurate diagnostic of system operation can be performed without removing access panels. Brass caps on the Schrader fitting ensure the gauge parts are leak proof.



### Electric Heater Kits

The electric heater kits are located in the heater compartment. The two-stage resistive heater kits are available for factory or field installation. With choices that range from 18 to 72kw, the contractor is assured to get the correct amount of heating output to meet the design heating load. Engineered with ease of installation in mind, the heater kit is completely wired up for slide-in plug-n-play installation in the field.

Power hook-up in the field is easy with single-point wiring to a terminal block and a polarized plug for the low-voltage connection, and is UL certified. The electrical heating elements are of a wound-wire construction and isolated with ceramic bushings. The limit switch protects the design from over-temperature conditions.



## Compressor

The compressor compartment houses the heartbeat of the unit. The scroll compressor (27) is known for its long life and for reliable, quiet, and efficient operation. Each compressor has 4 rubber grommets on the bottom for sound and vibration dampening. (28). Units have two stages of efficient cooling operation in which the first stage is approximately 50% of second stage. Each unit comes standard with a filter dryer.



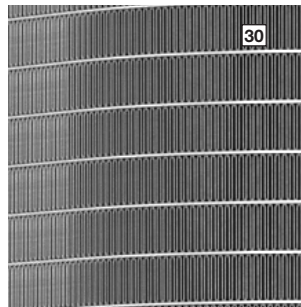
## Condenser Fans

The condenser fan motors (29) can easily be accessed and maintained through the top of the unit. The 15 ton unit has down-mount fans which provide corrosion protection and easy removal. The 17.5, 20, and 25 ton models are designed with up-mounted fans.



## MicroChannel Condenser Technology

The outdoor coil uses the latest microchannel technology (30) for the most effective method of heat transfer. The outdoor coil is protected by optional louvered panels, which allow unobstructed airflow while protecting the unit from both the environment and vandalism.



## Coil Coating

Every unit offers the option of factory-applied ElectroFin® E-Coat condenser coating (31) that delivers superior corrosion resistance for outdoor coils to operate in the harshest of environments.



## Economizer and Dampers

Each unit is designed for both down flow or horizontal applications for job configuration flexibility. The return air compartment can also contain an economizer. (32) Each unit is pre-wired for the economizer to allow quick, plug-in installation. Available as a factory-installed option, the economizer provides free cooling when outdoor conditions are suitable and also provides fresh air to meet local requirements. It comes standard with single enthalpy controls, which can be upgraded to dual enthalpy easily in the field. The direct drive actuator combined with gear drive dampers has eliminated the need for linkage adjustment in the field. The economizer control has a minimum position set point, an outdoor-air set point, a mixed-air set point, and a CO<sub>2</sub> set point. Barometric relief is standard on all economizers.



Power Exhaust is easily field-installed. The power exhaust is housed in the barometric relief opening and is easily slipped in with a plugin assembly. The wire harness to the economizer also has accommodations for a smoke detector.

The damper minimum position, actual damper position, power exhaust on/off set point, mixed air temperature limit set point, and Demand Controlled Ventilation (DCV) set point can be read and adjusted at the unit controller display or remotely through a network connection. The Space CO<sub>2</sub> level, mixed air temperature, and Economizer Status (free cooling available, single or dual enthalpy) can be read at the unit controller display or remotely through a network connection. Economizer faults will trigger a network alarm and can be read at the unit controller display or remotely through a network connection.

## Roofcurb

The Russell® by Rheem roofcurb is made for tool-less assembly at the jobsite by engaging tabs in slots of adjacent curb sides, which makes the assembly process quick and easy.

**R AC G 2 T 180 A C F 0 0 B A \*\*\*\***  
**1 23 4 5 6 7 8 9 10 11 12 13 14 15 16 17 18 19 20 21**

**1—Brand**

R = Russell® by Rheem

**2, 3—Unit Type**

AC = Packaged AC

**4—Cabinet Type**

G = Large Commercial

**5—Cooling Stages**

2 = 2 Stages of Cooling

**6—Efficiency Tier**

T = Standard Efficiency

**7, 8, 9—Capacity**

180 = 15 ton  
 210 = 17.5 ton  
 240 = 20 ton  
 300 = 25 ton

**10—Major Series**

A = 410A

**11—Voltage**

C = 3 phase 208-230/60  
 D = 3 phase 460/60  
 Y = 3 phases 575/60

**12—Drive**

F = Belt Drive-VFD Low  
 G = Belt Drive-VFD Medium  
 H = Belt Drive-VFD High

**13, 14—Heat Capacity**

00 = No Heat  
 18 = 18kW  
 36 = 36kW  
 54 = 54kW  
 72 = 72kW

**15—Heat Configuration**

0 = No heat  
 1 = Single-Stage  
 2 = 2-Stage

**16—Control**

B = Core Command & Phase Monitor  
 C = Clear Control & Phase Monitor  
 D = Clear Control & Comfort Alert

**17 —Minor Series**

A = 1st design

**18, 19, 20, 21—Option Code**

AA0A

## FACTORY INSTALLED OPTION CODES FOR RACG (15 TO 25 TON)

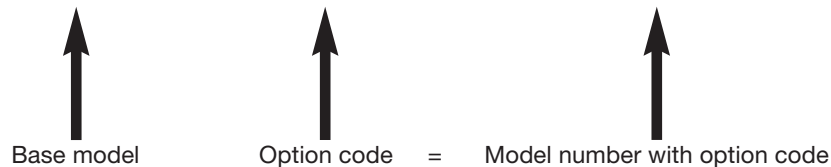
18				19			20			21	
LV = Louver protection				DC = Disconnect			EC = Economizer			M8 = MERV 8 Filter	
HA = Hinged Access				PC = Powered Convenience Outlet			SS = Supply & Return Smoke			M13 = MERV 13 Filter	
CC = Condenser Coil Coating				NP = Non-Powered Convenience Outlet			RS = Return Smoke				
				LF = Low Ambient & Freeze Stat							
				CB = Circuit Breaker							
OPTION CODE CHARACTER HIGHLIGHTED											
OPT				OPT			OPT			OPT	
<b>A</b>	None			<b>A</b>	None		<b>0</b>	None		<b>A</b>	Standard
<b>B</b>	LV			<b>B</b>	LF		<b>1</b>	EC		<b>D</b>	M8
<b>C</b>	HA			<b>C</b>	NP		<b>2</b>	RS		<b>G</b>	M13
<b>D</b>	LV	HA		<b>D</b>	LF	NP	<b>3</b>	EC	RS		
<b>E</b>	LV	CC					<b>4</b>	SS			
<b>F</b>	LV	HA	CC				<b>5</b>	EC	SS		

### Instructions for Factory Installed Option(s) Selection

Note: Three characters following the model number will be utilized to designate a factory-installed option or combination of options. If no factory option(s) is required, "AA0A" follows the model number.

- **Step 1:** In the table above, based on the desired features, choose option code character from highlighted options on the left side under the number 18. For example, the option code character "E" has Louver protection and Coil Coating.
- **Step 2:** In the table above, based on the desired features, choose option code character from highlighted options on the left side under the number 19. For example, the option code character "D" has Low Ambient / Freeze Stat and Non-powered convenience outlet.
- **Step 3:** In the table above, based on the desired features, choose option code character from highlighted options on the left side under the number 20. For example, the option code character "3" has Economizer and Return Smoke.
- The resulting option code from examples above is: "ED3D"
- **Step 4:** In the table above, based on the desired features, choose option code from highlighted options on the left side under the number 21. For example, the option code character "D" has MERV 8 filters.
- **Step 5:** Add your option code selection to the end of model number

◦ Example: RACG2T180ACCF000BA ED3D = RACG2T180ACF000BAED3D



To select an RACG Cooling and Heating unit to meet a job requirement, follow this procedure, with example, using data supplied in this specification sheet.

## 1. DETERMINE COOLING AND HEATING REQUIREMENTS AND SPECIFIC OPERATING CONDITIONS FROM PLANS AND SPECS.

### Example:

Voltage—	208/230V - 3 Phase - 60Hz
Total Cooling Capacity—	118,000 BTUH [34.57 kW]
Sensible Cooling Capacity—	175,000 BTUH [51.3 kW]
Heating Capacity—	175,000 BTUH [51.2 kW]
*Condenser Entering Air—	95°F [35.0°C] DB
*Evaporator Mixed Air Entering—	65°F [18.3°C] WB 78°F [25.6°C] DB
*Indoor Air Flow (vertical)—	6400 CFM [3020 L/s]
*External Static Pressure—	0.60 in. WG [.15 kPa]

## 2. SELECT UNIT TO MEET COOLING REQUIREMENTS.

Since total cooling is within the range of a nominal 15 ton [35.1 kW] unit, enter cooling performance table at 95°F [35.0°C] DB condenser inlet air. Interpolate between 63°F [17.2°C] WB and 67°F [19.4°C] to determine total and sensible capacity and power input for 65°F [18.3°C] WB evaporator inlet air at 3750 CFM [1770 L/s] indoor air flow (table basis):

Total Cooling Capacity = 175,970 BTUH [51.6 kW]  
 Sensible Cooling Capacity = 131,270 BTUH [38.5 kW]  
 Power Input (Compressor and Cond. Fans) = 14,850 watts

Use formula  $[1.10 \times \text{CFM} \times (1 - \text{DR}) \times (\text{dbE} - 80)]$  in note to determine sensible capacity at 80°F [26.7°C] DB evaporator entering air:

$99,950 + (1.10 \times 3,600 \times (1 - 0.03) \times (78 - 80))$   
 Sensible Cooling Capacity = 118,386 BTUH [34.7 kW]

## 3. CORRECT CAPACITIES OF STEP 2 FOR ACTUAL AIR FLOW.

Select factors from airflow correction table at 3600 CFM [1699 L/s] and apply to data obtained in step 2 to obtain gross capacity:

Total Capacity =  $175,970 \times 1.05 = 184,768$  BTUH [51.1 kW]  
 Sensible Capacity =  $131,270 \times 1.05 = 137,833$  BTUH [40.4 kW]  
 Power Input =  $14,850 \times 1.01 = 14,995$  Watts

These are Gross Capacities, not corrected for blower motor heat or power.

## 4. DETERMINE BLOWER SPEED AND WATTS TO MEET SYSTEM DESIGN.

Enter Indoor Blower performance table at 6400 CFM [3020 L/s]. Total ESP (external static pressure) per the spec of 0.60 in. WG [.15 kPa] includes the system duct and grilles. Add from the table "Component Air Resistance," 0.05 in. WG [.01 kPa] for wet coil, for a total selection static pressure of 0.65 [0.7] in. WG [0.17kPa] use the Airflow Performance Downflow Table to determine:

RPM = 685  
 BHP = 2.21 [1,648 Watts]  
 DRIVE = F (3 H.P. Motor)

## 5. CALCULATE INDOOR BLOWER BTUH HEAT EFFECT FROM MOTOR WATTS, STEP 4.

$$1,648 \times 3.412 = 5,623 \text{ BTUH [1.68 kW]}$$

## 6. CALCULATE NET COOLING CAPACITIES, EQUAL TO GROSS CAPACITY, STEP 3, MINUS INDOOR BLOWER MOTOR HEAT.

$$\text{Net Capacity} = 184,768 \text{ (step 3)} - 5,623 \text{ (step 5)} = 179,145 \text{ BTUH [52.5 kW]}$$

$$\text{Net Sensible Capacity} = 137,833 \text{ (step 3)} - 5,623 \text{ (step 5)} = 132,210 \text{ BTUH [38.7 kW]}$$

## 7. CALCULATE UNIT INPUT AND JOB EER.

$$\text{Total Power Input} = 14,995 \text{ (step 3)} + 1,648 \text{ (step 4)} = 16,643 \text{ Watts}$$

$$\text{EER} = \frac{\text{Net Total BTUH [kW] (step 6)}}{\text{Power Input, Watts (above)}} = \frac{173,866}{16,643} = 10.45$$

## 8. SELECT UNIT HEATING CAPACITY.

From Heater Kit Table select kW to meet heating capacity requirement; multiply kW x 3412 to convert to BTUH.

Use 54 kW Heater Kit

Heater Kit Model: RXXJJ-G54KWC      Heater Kit Capacity: 184,256 BTUH [54.0 kW]

Add indoor blower heat effect (step 5) to Heater Kit Capacity to get total heating capacity:

$$184,256 + 5,623 = 189,879 \text{ BTUH [55.6 kW]}$$

## 9. CHOOSE MODEL RACG2T180ACF542BAA0A.

\*NOTE: These operating conditions are typical of a commercial application in a 95°F/79°F [35°C/26°C] design area with indoor design of 76°F [24°C] DB and 50% RH and 10% ventilation air, with the unit roof mounted and centered on the zone it conditions by ducts.

[ ] Designates Metric Conversions



**NOM. SIZES 15-25 TONS [52.8-87.9 kW] ASHRAE 90.1-2019 COMPLIANT MODELS**

Model RACG2T Series	180	210	240	300
<b>Cooling Performance<sup>A</sup></b>				
Gross Cooling Capacity Btu [kW]	176,000 [51.57]	208,000 [60.94]	240,000 [70.32]	288,000 [84.38]
EER	11	11	11	10
IEER <sup>B</sup>	14.2	14.2	14.2	13.2
Nominal CFM/AHRI Rated CFM [L/s]	6000/5900 [2831/2784]	7000/6900 [3303/3256]	8000/7300 [3775/3445]	10000/8400 [4719/3964]
AHRI Net Cooling Capacity Btu [kW]	172,000 [50.4]	200,000 [58.6]	230,000 [67.39]	285,000 [85.53]
Net Sensible Capacity Btu [kW]	115,370 [33.8]	133,970 [39.25]	154,500 [45.27]	190,160 [55.72]
Net Latent Capacity Btu [kW]	56,630 [16.59]	66,030 [19.35]	75,500 [22.12]	95,050 [27.86]
Net System Power kW	16	18	21.4	28.2
<b>Compressor</b>				
No./Type	2/Scroll	2/Scroll	2/Scroll	2/Scroll
<b>Outdoor Coil - Fin Type</b>				
Tube Type	Louvered	Louvered	Louvered	Louvered
MicroChannel Depth in. [mm]	MicroChannel	MicroChannel	MicroChannel	MicroChannel
Face Area sq. ft. [sq. m]	1 [25.4]	1 [25.4]	1 [25.4]	1 [25.4]
Rows/FPI [FPcm]	36.3 [3.37]	46.2 [4.29]	46.2 [4.29]	46.2 [4.29]
Rows/FPI [FPcm]	1 / 23 [9]	1 / 23 [9]	1 / 23 [9]	1 / 23 [9]
<b>Indoor Coil - Fin Type</b>				
Tube Type	Louvered	Louvered	Louvered	Louvered
MicroChannel Depth in. [mm]	MicroChannel	MicroChannel	MicroChannel	MicroChannel
Face Area sq. ft. [sq. m]	1 [25.4]	1 [25.4]	1.25 [31.8]	1.25 [31.8]
Rows/FPI [FPcm]	23.8 [2.21]	23.8 [2.21]	23.8 [2.21]	23.8 [2.21]
Rows/FPI [FPcm]	1 / 18 [7]	1 / 18 [7]	1 / 18 [7]	1 / 18 [7]
Refrigerant Control	TX Valves	TX Valves	TX Valves	TX Valves
Drain Connection No./Size in. [mm]	1/1 [25.4]	1/1 [25.4]	1/1 [25.4]	1/1 [25.4]
<b>Outdoor Fan - Type</b>				
No. Used/Diameter in. [mm]	Propeller	Propeller	Propeller	Propeller
Drive Type/No. Speeds	2/24 [609.6]	2/30 [762]	2/30 [762]	2/30 [762]
CFM [L/s]	Direct/1	Direct/1	Direct/1	Direct/1
No. Motors/HP	12000 [5663]	14000 [6607]	16800 [7928]	19000 [8966]
Motor RPM	2 at 3/4 HP	2 at 1 1/2 HP	2 at 1 1/2 HP	2 at 1 1/2 HP
Motor RPM	1100	1140	1140	1140
<b>Indoor Fan - Type</b>				
No. Used/Diameter in. [mm]	FC Centrifugal	FC Centrifugal	FC Centrifugal	FC Centrifugal
Drive Type	2/15x15 [381x381]	2/15x15 [381x381]	2/15x15 [381x381]	2/15x15 [381x381]
No. Speeds	Belt (Adjustable)	Belt (Adjustable)	Belt (Adjustable)	Belt (Adjustable)
No. Motors	Single	Single	Single	Single
Motor HP <sup>C</sup>	1	1	1	1
Motor HP <sup>C</sup>	Varies	Varies	Varies	Varies
<b>Filter - Type</b>				
Furnished	Disposable	Disposable	Disposable	Disposable
(NO.) Size Recommended in. [mm x mm x mm]	Yes	Yes	Yes	Yes
Refrigerant Charge Oz. [g]	(8)20x24x2 [508x610x51]	(8)20x24x2 [508x610x51]	(8)20x24x2 [508x610x51]	(8)20x24x2 [508x610x51]
Circuit 1/Circuit 2	192/192 [5443/5443]	205/205 [5812/5812]	205/205 [5812/5812]	224/224 [6350/6350]
<b>Weights</b>				
Net Weight lbs. [kg]	1940 [879]	2010 [911]	2030 [920]	2100 [952]
Ship Weight lbs. [kg]	2040 [925]	2110 [957]	2130 [970]	2200 [997]
Max. Ship Weight lbs. [kg]	2710 [1229]	2780 [1260]	2800 [1270]	2870 [1301]
Max Installed Weight lbs. [kg]	2610 [1183]	2680 [1215]	2700 [1224]	2770 [1256]

See Page 14 for Notes.

[ ] Designates Metric Conversions

**NOTES:**

- A. Cooling Performance is rated at 95° F ambient, 80° F entering dry bulb, 67° F entering wet bulb. Gross capacity does not include the effect of fan motor heat. AHRI capacity is net and includes the effect of fan motor heat. Units are suitable for operation to  $\pm 20\%$  of nominal cfm. Units are certified in accordance with the Unitary Air Conditioner Equipment certification program, which is based on AHRI Standard 340/360.
- B. EER and/or SEER are rated at AHRI conditions and in accordance with DOE test procedures. Integrated Energy Efficiency Ratio (IEER) is rated in accordance with AHRI Standard 340/360.
- C. See Airflow Performance Tables for motor horsepower and more Indoor Fan information.

[ ] Designates Metric Conversions

# COOLING PERFORMANCE DATA — RACG2T180

wB/E		ENTERING INDOOR AIR @ 80°F [26.7°C] dbE ①											
		71°F [21.7°C]		67°F [19.4°C]		63°F [17.2°C]		61°F [16.1°C]		59°F [15.0°C]			
CFM [L/s]	DR ①	7000 [3304]	5900 [2784]	4800 [2265]	7000 [3304]	5900 [2784]	4800 [2265]	7000 [3304]	5900 [2784]	4800 [2265]	7000 [3304]	5900 [2784]	4800 [2265]
75°F [23.9°C]	Total BTUH [kW]	207.6 [60.8]	194.0 [56.9]	187.1 [54.8]	195.3 [57.2]	188.9 [55.4]	182.5 [53.5]	194.1 [56.9]	187.7 [55.0]	181.4 [53.1]	194.0 [56.8]	187.6 [55.0]	181.2 [53.1]
	Sens BTUH [kW]	121.4 [35.6]	111.7 [32.7]	116.9 [34.3]	139.2 [40.8]	128.1 [37.5]	116.9 [34.3]	155.6 [45.6]	143.2 [42.0]	136.9 [40.1]	169.6 [49.7]	156.0 [45.7]	142.4 [41.7]
	Power	13.3	13.1	12.8	13.2	13.0	12.7	13.1	12.9	12.8	12.6	13.0	12.8
80°F [26.7°C]	Total BTUH [kW]	203.1 [59.5]	196.4 [57.6]	189.8 [55.6]	195.7 [57.3]	189.3 [55.5]	182.9 [52.9]	190.7 [55.9]	183.3 [53.7]	177.1 [51.9]	189.4 [55.5]	183.2 [53.7]	177.0 [51.9]
	Sens BTUH [kW]	119.1 [34.9]	109.6 [32.1]	100.1 [29.3]	136.9 [40.1]	126.0 [36.9]	115.0 [33.7]	153.3 [44.9]	141.1 [41.3]	135.0 [39.6]	167.3 [49.0]	153.9 [45.1]	140.5 [41.2]
	Power	13.7	13.5	13.3	13.6	13.4	13.2	13.5	13.3	13.1	13.4	13.2	13.0
85°F [29.4°C]	Total BTUH [kW]	198.5 [58.2]	192.0 [56.3]	185.5 [54.4]	191.1 [56.0]	184.9 [54.2]	178.6 [52.3]	186.2 [54.6]	180.1 [52.8]	174.0 [51.0]	184.8 [54.2]	178.8 [52.4]	172.7 [50.6]
	Sens BTUH [kW]	116.8 [34.2]	107.5 [31.5]	98.1 [28.8]	134.6 [39.4]	123.8 [36.3]	113.1 [33.1]	151.0 [44.3]	138.9 [40.7]	126.8 [37.2]	158.4 [46.4]	145.7 [42.7]	133.0 [39.0]
	Power	14.2	13.9	13.7	14.1	13.8	13.6	14.0	13.7	13.5	13.9	13.7	13.4
90°F [32.2°C]	Total BTUH [kW]	194.0 [56.8]	187.6 [55.0]	181.2 [53.1]	186.6 [54.7]	180.5 [52.9]	174.4 [51.1]	181.6 [53.2]	175.7 [51.5]	169.7 [49.7]	180.3 [52.8]	174.4 [51.1]	168.4 [49.4]
	Sens BTUH [kW]	114.5 [33.5]	105.3 [30.9]	96.1 [28.2]	132.2 [38.8]	121.7 [35.7]	111.1 [32.6]	148.7 [43.6]	136.8 [40.1]	124.9 [36.6]	162.6 [47.6]	149.6 [43.8]	136.6 [40.0]
	Power	14.6	14.4	14.2	14.5	14.3	14.1	14.4	14.2	14.0	14.4	14.2	13.9
95°F [35°C]	Total BTUH [kW]	189.4 [55.5]	183.2 [53.7]	177.0 [51.9]	182.1 [53.3]	176.1 [51.6]	170.1 [49.9]	177.1 [51.9]	171.3 [50.2]	165.5 [48.5]	175.7 [51.5]	170.0 [49.8]	164.2 [48.1]
	Sens BTUH [kW]	112.1 [32.8]	103.1 [30.2]	94.1 [27.6]	129.9 [38.1]	119.5 [35.0]	109.1 [32.0]	146.3 [42.9]	134.5 [39.4]	122.8 [36.0]	160.2 [46.9]	147.4 [43.2]	134.6 [39.4]
	Power	15.1	14.9	14.6	15.0	14.8	14.6	15.0	14.7	14.5	14.9	14.6	14.4
100°F [37.8°C]	Total BTUH [kW]	184.9 [54.2]	178.8 [52.4]	172.8 [50.6]	177.5 [52.0]	171.7 [50.3]	165.9 [48.6]	172.6 [50.6]	166.9 [48.9]	161.3 [47.3]	171.2 [50.2]	165.6 [48.5]	160.0 [46.9]
	Sens BTUH [kW]	109.6 [32.1]	100.9 [29.6]	92.1 [27.1]	127.4 [37.3]	117.2 [34.3]	107.0 [31.4]	143.8 [42.1]	132.3 [38.8]	120.8 [35.4]	151.2 [44.3]	145.1 [42.5]	132.5 [38.8]
	Power	15.7	15.4	15.2	15.6	15.3	15.1	15.5	15.2	15.0	15.4	15.2	14.9
105°F [40.6°C]	Total BTUH [kW]	180.4 [52.9]	174.5 [51.1]	168.6 [49.4]	173.0 [50.7]	167.4 [49.0]	161.7 [47.4]	168.1 [49.2]	162.6 [47.6]	157.0 [46.0]	166.7 [48.9]	161.2 [47.2]	155.8 [45.6]
	Sens BTUH [kW]	107.2 [31.4]	98.6 [28.9]	90.0 [26.4]	124.9 [36.6]	114.9 [33.7]	104.9 [30.8]	141.4 [41.4]	130.0 [38.1]	118.7 [34.8]	148.7 [43.6]	142.9 [41.9]	130.4 [38.2]
	Power	16.3	16.0	15.7	16.2	15.9	15.6	16.1	15.8	15.5	16.0	15.8	15.5
110°F [43.3°C]	Total BTUH [kW]	175.9 [51.5]	170.1 [49.9]	164.4 [48.2]	168.5 [49.4]	163.0 [47.8]	157.5 [46.1]	163.6 [47.9]	158.2 [46.4]	152.8 [44.8]	162.2 [47.5]	156.9 [46.0]	151.6 [44.4]
	Sens BTUH [kW]	104.7 [30.7]	96.3 [28.2]	87.9 [25.8]	122.4 [35.9]	112.6 [33.0]	102.8 [30.1]	138.8 [40.7]	127.7 [37.4]	116.6 [34.2]	146.2 [42.8]	140.6 [41.2]	128.3 [37.6]
	Power	16.9	16.6	16.3	16.8	16.5	16.2	16.7	16.4	16.1	16.6	16.3	16.0
115°F [46.1°C]	Total BTUH [kW]	171.4 [50.2]	165.8 [48.6]	160.2 [46.9]	164.1 [48.1]	158.7 [46.5]	153.3 [44.9]	159.1 [46.6]	153.9 [45.1]	148.7 [43.6]	157.7 [46.2]	152.6 [44.7]	147.4 [43.2]
	Sens BTUH [kW]	102.1 [29.9]	93.9 [27.5]	85.8 [25.1]	119.9 [35.1]	110.3 [32.3]	100.7 [29.5]	136.3 [39.9]	125.4 [36.7]	114.5 [33.5]	143.7 [42.1]	138.2 [40.5]	126.2 [37.0]
	Power	17.5	17.2	16.9	17.4	17.1	16.8	17.3	17.0	16.7	17.3	17.0	16.7
120°F [48.9°C]	Total BTUH [kW]	167.0 [48.9]	161.5 [47.3]	156.0 [45.7]	159.6 [46.8]	154.4 [45.2]	149.1 [43.7]	154.6 [45.3]	149.6 [43.8]	144.5 [43.5]	153.3 [44.9]	148.2 [43.4]	143.2 [42.0]
	Sens BTUH [kW]	99.5 [29.2]	91.6 [26.8]	83.6 [24.5]	117.3 [34.4]	107.9 [31.6]	98.5 [28.9]	133.7 [39.2]	123.0 [36.0]	112.3 [32.9]	141.1 [41.3]	135.8 [39.8]	124.0 [36.3]
	Power	18.2	17.9	17.6	18.1	17.8	17.5	18.0	17.7	17.4	17.9	17.6	17.3
125°F [51.7°C]	Total BTUH [kW]	162.5 [47.6]	157.2 [46.1]	151.9 [44.5]	155.1 [45.5]	150.1 [44.0]	145.0 [42.5]	150.2 [44.0]	145.3 [42.6]	140.3 [41.1]	148.9 [43.6]	143.9 [42.2]	139.1 [40.7]
	Sens BTUH [kW]	96.9 [28.4]	89.1 [26.1]	81.4 [23.9]	114.7 [33.6]	105.5 [30.9]	96.3 [28.2]	131.1 [38.4]	120.6 [35.3]	110.1 [32.3]	138.5 [40.6]	133.4 [39.1]	121.8 [35.7]
	Power	18.9	18.6	18.2	18.8	18.5	18.2	18.7	18.4	18.1	18.6	18.3	18.0

DR — Depression ratio  
 dbE — Entering air dry bulb  
 wB/E — Entering air wet bulb

### [ ] Designates Metric Conversions

Total — Total capacity x 1000 BTUH  
 Sens — Sensible capacity x 1000 BTUH  
 Power — KW input

NOTES: ① When the entering air dry bulb is other than 80°F [27°C], adjust the sensible capacity from the table by adding  $[1.10 \times \text{CFM} \times (1 - \text{DR}) \times (\text{dbE} - 80)]$ .

COOLING PERFORMANCE DATA — RACG2T210

w/E		ENTERING INDOOR AIR @ 80°F [26.7°C] dbE ①														
		71°F [21.7°C]			67°F [19.4°C]			63°F [17.2°C]			61°F [16.1°C]			59°F [15.0°C]		
CFM [L/s]		8400 [3964]	6900 [3256]	5600 [2643]	8400 [3964]	6900 [3256]	5600 [2643]	8400 [3964]	6900 [3256]	5600 [2643]	8400 [3964]	6900 [3256]	5600 [2643]	8400 [3964]	6900 [3256]	5600 [2643]
DR ①		0.3	0.28	0.25	0.3	0.28	0.25	0.3	0.28	0.25	0.3	0.28	0.25	0.3	0.28	0.25
75°F [23.9°C]	Total BTUH [kW]	242.5 [71.1]	233.3 [68.4]	225.3 [66.0]	235.1 [68.9]	226.2 [66.3]	218.4 [64.0]	230.1 [67.4]	221.4 [64.9]	213.8 [62.6]	228.9 [67.1]	220.2 [64.5]	212.6 [62.3]	228.7 [67.0]	220.0 [64.5]	212.5 [62.3]
	Sens BTUH [kW]	148.4 [43.5]	134.8 [39.5]	122.9 [36.0]	166.4 [48.8]	151.1 [44.3]	137.8 [40.4]	183.1 [53.6]	166.2 [48.7]	151.6 [44.4]	190.5 [55.8]	173.0 [50.7]	157.8 [46.2]	197.2 [57.8]	179.0 [52.5]	163.3 [47.9]
	Power	14.0	13.8	13.5	13.9	13.7	13.5	13.9	13.6	13.4	13.8	13.5	13.3	13.8	13.5	13.3
80°F [26.7°C]	Total BTUH [kW]	237.9 [69.7]	228.9 [67.1]	221.0 [64.8]	230.5 [67.5]	221.7 [65.0]	214.1 [62.8]	225.5 [66.1]	216.9 [63.6]	209.5 [61.4]	224.3 [65.7]	215.7 [63.2]	208.3 [61.1]	224.1 [65.7]	215.6 [63.2]	208.2 [61.0]
	Sens BTUH [kW]	146.1 [42.8]	132.7 [38.9]	121.0 [35.5]	164.1 [48.1]	149.0 [43.7]	135.9 [39.8]	180.8 [53.0]	164.1 [48.1]	149.7 [43.9]	188.2 [55.2]	170.9 [50.1]	155.9 [45.7]	194.9 [57.1]	176.9 [51.8]	161.4 [47.3]
	Power	14.5	14.2	13.9	14.4	14.1	13.9	14.3	14.0	13.8	14.2	14.0	13.7	14.2	13.9	13.7
85°F [29.4°C]	Total BTUH [kW]	233.3 [68.4]	224.4 [65.8]	216.8 [63.5]	225.9 [66.2]	217.3 [63.7]	209.9 [61.5]	220.9 [64.7]	212.5 [62.3]	205.2 [60.1]	219.7 [64.4]	211.3 [61.9]	204.1 [59.8]	219.5 [64.3]	211.2 [61.9]	204.0 [59.8]
	Sens BTUH [kW]	143.8 [42.1]	130.5 [38.2]	119.0 [34.9]	161.8 [47.4]	146.9 [43.0]	134.0 [39.3]	178.4 [52.3]	162.0 [47.5]	147.7 [43.3]	185.9 [54.5]	168.7 [49.4]	153.9 [45.1]	192.5 [56.4]	174.8 [51.2]	159.4 [46.7]
	Power	14.9	14.6	14.4	14.8	14.5	14.3	14.7	14.4	14.2	14.7	14.4	14.2	14.6	14.3	14.1
90°F [32.2°C]	Total BTUH [kW]	228.7 [67.0]	220.0 [64.5]	212.5 [62.3]	221.3 [64.9]	212.9 [62.4]	205.6 [60.3]	216.3 [63.4]	208.1 [61.0]	201.0 [59.9]	215.1 [63.0]	206.9 [60.6]	199.8 [58.6]	215.0 [63.0]	206.8 [60.6]	199.7 [58.5]
	Sens BTUH [kW]	141.4 [41.4]	128.3 [37.6]	117.1 [34.3]	159.4 [46.7]	144.7 [42.4]	132.0 [38.7]	176.0 [51.6]	159.8 [46.8]	145.7 [42.7]	183.5 [53.8]	166.6 [48.8]	151.9 [44.5]	190.1 [55.7]	172.6 [50.6]	157.4 [46.1]
	Power	15.4	15.1	14.8	15.3	15.0	14.7	15.2	14.9	14.7	15.1	14.9	14.6	15.1	14.8	14.6
95°F [35°C]	Total BTUH [kW]	224.2 [65.7]	215.7 [63.2]	208.3 [61.0]	216.8 [63.5]	208.5 [61.1]	201.4 [59.0]	211.8 [62.1]	203.7 [59.7]	196.7 [57.7]	210.5 [61.7]	202.5 [59.4]	195.6 [57.3]	210.4 [61.7]	202.4 [59.3]	195.5 [57.3]
	Sens BTUH [kW]	138.9 [40.7]	126.1 [37.0]	115.0 [33.7]	157.0 [46.0]	142.5 [41.8]	130.0 [38.1]	173.6 [50.9]	157.6 [46.2]	143.7 [42.1]	181.0 [53.1]	164.4 [48.2]	149.9 [43.9]	187.7 [55.0]	170.4 [49.9]	155.4 [45.5]
	Power	15.9	15.6	15.3	15.8	15.5	15.2	15.7	15.4	15.2	15.7	15.4	15.1	15.6	15.3	15.1
100°F [37.8°C]	Total BTUH [kW]	219.6 [64.4]	211.3 [61.9]	204.0 [59.8]	212.2 [62.2]	204.2 [59.8]	197.2 [57.8]	207.2 [60.7]	199.4 [58.4]	192.5 [56.4]	206.0 [60.4]	198.2 [58.1]	191.4 [56.1]	205.9 [60.3]	198.0 [58.0]	191.3 [56.0]
	Sens BTUH [kW]	136.5 [40.0]	123.9 [36.3]	113.0 [33.1]	154.5 [45.3]	140.3 [41.1]	127.9 [37.5]	171.1 [50.1]	155.4 [45.5]	141.7 [41.5]	178.6 [52.3]	162.1 [47.5]	147.9 [43.3]	185.2 [54.3]	168.2 [49.3]	153.4 [45.0]
	Power	16.4	16.1	15.9	16.3	16.0	15.8	16.2	15.9	15.7	16.2	15.9	15.6	16.2	15.9	15.6
105°F [40.6°C]	Total BTUH [kW]	215.1 [63.0]	206.9 [60.6]	199.8 [58.6]	207.7 [60.9]	199.8 [58.5]	193.0 [56.5]	202.7 [59.4]	195.0 [57.1]	188.3 [55.2]	201.5 [59.0]	193.8 [56.8]	187.2 [54.8]	201.3 [59.0]	193.7 [56.8]	187.0 [54.8]
	Sens BTUH [kW]	134.0 [39.3]	121.6 [35.6]	110.9 [32.5]	152.0 [44.5]	138.0 [40.4]	125.9 [36.9]	168.6 [49.4]	153.1 [44.9]	139.6 [40.9]	176.1 [51.6]	159.9 [46.8]	145.8 [42.7]	182.7 [53.6]	165.9 [48.6]	151.3 [44.3]
	Power	17.0	16.7	16.4	16.9	16.6	16.3	16.8	16.5	16.2	16.8	16.5	16.2	16.7	16.4	16.1
110°F [43.3°C]	Total BTUH [kW]	210.6 [61.7]	202.6 [59.4]	195.6 [57.3]	203.2 [59.5]	195.5 [57.3]	188.8 [55.3]	198.2 [58.1]	190.6 [55.9]	184.1 [54.0]	197.0 [57.7]	189.5 [55.5]	183.0 [53.6]	196.8 [57.7]	189.3 [55.5]	182.8 [53.6]
	Sens BTUH [kW]	131.4 [38.5]	119.3 [35.0]	108.8 [31.9]	149.4 [43.8]	135.7 [39.8]	123.8 [36.3]	166.1 [48.7]	150.8 [44.2]	137.5 [40.3]	173.5 [50.9]	157.5 [46.2]	143.7 [42.1]	180.2 [52.8]	163.6 [47.9]	149.2 [43.7]
	Power	17.6	17.3	17.0	17.5	17.2	16.9	17.4	17.1	16.8	17.4	17.1	16.8	17.3	17.0	16.7
115°F [46.1°C]	Total BTUH [kW]	206.1 [60.4]	198.2 [58.1]	191.5 [56.1]	198.7 [58.2]	191.1 [56.0]	184.6 [54.1]	193.7 [56.8]	186.3 [54.6]	179.9 [52.7]	192.4 [56.4]	185.1 [54.3]	178.8 [52.4]	192.3 [56.4]	185.0 [54.2]	178.7 [52.4]
	Sens BTUH [kW]	128.8 [37.8]	117.0 [34.3]	106.7 [31.3]	146.9 [43.0]	133.3 [39.1]	121.6 [35.6]	163.5 [47.9]	148.4 [43.5]	135.4 [39.7]	170.1 [50.1]	155.2 [45.5]	141.6 [41.5]	177.6 [52.1]	161.3 [47.3]	147.1 [43.1]
	Power	18.3	17.9	17.6	18.2	17.8	17.5	18.1	17.7	17.4	18.0	17.7	17.4	18.0	17.6	17.3
120°F [48.9°C]	Total BTUH [kW]	201.6 [59.1]	193.9 [56.8]	187.3 [54.9]	194.2 [56.9]	186.8 [54.7]	180.4 [52.9]	189.2 [55.4]	182.0 [53.3]	175.8 [51.5]	188.0 [55.1]	180.8 [53.0]	174.6 [51.2]	187.8 [55]	180.7 [52.9]	174.5 [51.1]
	Sens BTUH [kW]	126.2 [37.0]	114.6 [33.6]	104.5 [30.6]	144.3 [42.3]	131.0 [38.4]	119.4 [35.0]	160.9 [47.1]	146.1 [42.8]	133.2 [39.0]	168.3 [49.3]	152.8 [44.8]	139.4 [40.8]	175 [51.3]	158.9 [46.6]	144.9 [42.5]
	Power	18.9	18.6	18.3	18.8	18.5	18.2	18.7	18.4	18.1	18.7	18.3	18.0	18.6	18.3	18.0
125°F [51.7°C]	Total BTUH [kW]	197.1 [57.8]	189.6 [55.6]	183.1 [53.7]	189.7 [55.6]	182.5 [53.5]	176.2 [51.6]	184.7 [54.1]	177.7 [52.1]	171.6 [50.3]	183.5 [53.8]	176.5 [51.7]	170.5 [50.0]	183.4 [53.7]	176.4 [51.7]	170.3 [49.9]
	Sens BTUH [kW]	123.6 [36.2]	112.2 [32.9]	102.3 [30.0]	141.6 [41.5]	128.6 [37.7]	117.3 [34.4]	158.2 [46.4]	143.6 [42.1]	131.0 [38.4]	165.7 [48.6]	150.4 [44.1]	137.2 [40.2]	172.4 [50.5]	156.5 [45.9]	142.7 [41.8]
	Power	19.6	19.3	18.9	19.5	19.2	18.8	19.4	19.1	18.8	19.4	19.0	18.7	19.3	19.0	18.7

DR —Depression ratio  
 dbE —Entering air dry bulb  
 w/E —Entering air wet bulb

Total —Total capacity x 1000 BTUH  
 Sens —Sensible capacity x 1000 BTUH  
 Power —KW input

NOTES: ① When the entering air dry bulb is other than 80°F [27°C], adjust the sensible capacity from the table by adding [1.10 x CFM x (1 – DR) x (dbE – 80)].

[ ] Designates Metric Conversions

# COOLING PERFORMANCE DATA — RACG2T240

		ENTERING INDOOR AIR @ 80°F [26.7°C] dbE ①														
		71°F [21.7°C]			67°F [19.4°C]			63°F [17.2°C]			61°F [16.1°C]			59°F [15.0°C]		
w/E		9600 [4531]	7300 [3445]	6400 [3020]	9600 [4531]	7300 [3445]	6400 [3020]	9600 [4531]	7300 [3445]	6400 [3020]	9600 [4531]	7300 [3445]	6400 [3020]	9600 [4531]	7300 [3445]	6400 [3020]
CFM [L/s]		0.25	0.21	0.2	0.25	0.21	0.2	0.25	0.21	0.2	0.25	0.21	0.2	0.25	0.21	0.2
DR ①		0.25	0.21	0.2	0.25	0.21	0.2	0.25	0.21	0.2	0.25	0.21	0.2	0.25	0.21	0.2
75°F [23.9°C]	Total BTUH [kW]	279.8 [82.0]	264.6 [77.6]	258.7 [75.8]	272.3 [79.8]	257.5 [75.5]	251.8 [73.8]	267.2 [78.3]	252.7 [74.1]	247.1 [72.4]	245.9 [72.1]	265.8 [77.9]	251.5 [73.7]	251.4 [73.7]	245.8 [72.0]	245.8 [72.0]
	Sens BTUH [kW]	179.7 [52.7]	156.6 [45.9]	147.6 [43.3]	198.5 [58.2]	173.0 [50.7]	163.1 [47.8]	215.8 [63.2]	188.1 [55.1]	177.3 [51.9]	183.7 [53.8]	223.5 [65.5]	194.9 [57.1]	200.9 [58.9]	189.4 [55.5]	189.4 [55.5]
	Power	17.2	16.8	16.6	17.1	16.7	16.5	17.1	16.6	16.5	16.4	17.0	16.5	16.5	16.3	16.3
80°F [26.7°C]	Total BTUH [kW]	275.1 [80.6]	260.2 [76.3]	254.4 [74.5]	267.6 [78.4]	253.1 [74.2]	247.4 [72.5]	262.5 [76.9]	248.3 [72.8]	242.7 [71.1]	241.6 [70.8]	261.3 [76.6]	247.1 [72.4]	247.0 [72.4]	241.4 [70.8]	241.4 [70.8]
	Sens BTUH [kW]	177.3 [51.9]	154.5 [45.3]	145.7 [42.7]	196.0 [57.4]	170.9 [50.1]	161.1 [47.2]	213.3 [62.5]	186.0 [54.5]	175.3 [51.4]	181.7 [53.2]	221.1 [64.8]	192.8 [56.5]	198.8 [58.3]	187.4 [54.9]	187.4 [54.9]
	Power	17.7	17.2	17.0	17.6	17.1	16.9	17.5	17.0	16.8	16.8	17.4	17.0	16.9	16.7	16.7
85°F [29.4°C]	Total BTUH [kW]	270.5 [79.3]	255.8 [75.0]	250.1 [73.3]	262.9 [77.0]	248.7 [72.9]	243.1 [71.2]	257.8 [75.6]	243.9 [71.5]	238.4 [69.9]	237.3 [69.5]	256.6 [75.2]	242.7 [71.1]	242.6 [71.1]	237.1 [69.5]	237.1 [69.5]
	Sens BTUH [kW]	174.8 [51.2]	152.4 [44.7]	143.6 [42.1]	193.6 [56.7]	168.8 [49.5]	159.1 [46.6]	210.9 [61.8]	183.9 [53.9]	173.3 [50.8]	173.3 [50.8]	218.7 [64.1]	190.6 [55.9]	196.7 [57.6]	185.4 [54.3]	185.4 [54.3]
	Power	18.1	17.6	17.4	18.0	17.5	17.3	17.9	17.4	17.2	17.2	17.9	17.4	17.3	17.3	17.2
90°F [32.2°C]	Total BTUH [kW]	265.8 [77.9]	251.4 [73.7]	245.8 [72.0]	258.3 [75.7]	244.3 [71.6]	238.8 [70.0]	253.2 [74.2]	239.5 [70.2]	234.1 [68.6]	232.9 [68.3]	251.9 [73.8]	238.3 [69.8]	238.2 [69.8]	232.8 [68.2]	232.8 [68.2]
	Sens BTUH [kW]	172.3 [50.5]	150.2 [44.0]	141.6 [41.5]	191.1 [56.0]	166.6 [48.8]	157.0 [46.0]	208.4 [61.1]	181.7 [53.2]	171.2 [50.2]	171.2 [50.2]	216.2 [63.3]	188.5 [55.2]	194.5 [57.0]	183.3 [53.7]	183.3 [53.7]
	Power	18.6	18.1	17.9	18.5	18.0	17.8	18.4	18.4	17.7	17.7	18.4	17.9	18.3	17.8	17.6
95°F [35°C]	Total BTUH [kW]	261.2 [76.5]	247.0 [72.4]	241.5 [70.8]	253.6 [74.3]	239.9 [70.3]	234.5 [68.7]	248.6 [72.8]	235.1 [68.9]	229.8 [67.3]	228.7 [67.0]	247.3 [72.5]	233.9 [68.5]	242.2 [72.4]	233.8 [68.5]	228.5 [67.0]
	Sens BTUH [kW]	169.8 [49.8]	148.0 [43.4]	139.5 [40.9]	188.6 [55.3]	164.4 [48.2]	154.9 [45.4]	205.9 [60.3]	179.5 [52.6]	169.2 [49.6]	169.2 [49.6]	213.7 [62.6]	186.3 [54.6]	192.3 [56.4]	181.3 [53.1]	181.3 [53.1]
	Power	19.1	18.6	18.4	19.0	18.5	18.3	18.9	18.4	18.2	18.2	18.9	18.4	18.8	18.3	18.1
100°F [37.8°C]	Total BTUH [kW]	256.5 [75.2]	242.6 [71.1]	237.2 [69.5]	249.0 [73.0]	235.5 [69.0]	230.2 [67.5]	243.9 [71.5]	230.7 [67.6]	225.5 [66.1]	224.7 [65.8]	242.7 [71.1]	229.5 [67.3]	242.5 [71.1]	229.4 [67.2]	224.3 [65.7]
	Sens BTUH [kW]	167.2 [49.0]	145.8 [42.7]	137.4 [40.3]	186.0 [54.5]	162.2 [47.5]	152.8 [44.8]	203.3 [59.6]	177.2 [51.9]	167.0 [49.0]	167.0 [49.0]	211.1 [61.9]	184.0 [53.9]	190.1 [55.7]	179.1 [52.5]	179.1 [52.5]
	Power	19.7	19.1	18.9	19.6	19.0	18.8	19.5	18.9	18.7	18.7	19.4	18.9	19.4	18.9	18.6
105°F [40.6°C]	Total BTUH [kW]	251.9 [73.8]	238.3 [69.8]	232.9 [68.3]	244.4 [71.6]	231.2 [67.7]	226.0 [66.2]	239.3 [70.1]	226.4 [66.3]	221.3 [64.8]	220.8 [64.7]	238.1 [69.8]	225.2 [66.0]	220.1 [64.5]	237.9 [69.7]	225.0 [65.9]
	Sens BTUH [kW]	164.6 [48.2]	143.5 [42.1]	135.3 [39.6]	183.4 [53.7]	159.9 [46.9]	150.7 [44.2]	200.7 [58.8]	175.0 [51.3]	164.9 [48.3]	164.9 [48.3]	208.5 [61.1]	181.8 [53.3]	171.3 [50.2]	215.4 [63.1]	187.8 [55.0]
	Power	20.2	19.7	19.5	20.1	19.6	19.4	20.0	19.5	19.3	19.3	20.0	19.5	19.2	20.0	19.4
110°F [43.3°C]	Total BTUH [kW]	247.3 [72.5]	233.9 [68.6]	228.7 [67.0]	239.8 [70.3]	226.8 [66.5]	221.7 [65.0]	234.7 [68.8]	222.0 [65.1]	217.0 [63.6]	215.9 [63.3]	233.5 [68.4]	220.8 [64.7]	215.9 [63.3]	233.3 [68.4]	215.8 [63.2]
	Sens BTUH [kW]	162.0 [47.5]	141.2 [41.4]	133.1 [39.0]	180.7 [53.0]	157.6 [46.2]	148.5 [43.5]	198.1 [58.0]	172.7 [50.6]	162.7 [47.7]	162.7 [47.7]	205.8 [60.3]	179.4 [52.6]	169.1 [49.6]	212.8 [62.4]	185.5 [54.4]
	Power	20.8	20.3	20.1	20.8	20.2	20.0	20.7	20.1	19.9	19.9	20.6	20.1	19.8	20.6	20.0
115°F [46.1°C]	Total BTUH [kW]	242.8 [71.1]	229.6 [67.3]	224.5 [65.8]	235.2 [68.9]	222.5 [65.2]	217.5 [63.7]	230.2 [67.4]	217.7 [63.8]	212.8 [62.4]	212.8 [62.4]	228.9 [67.1]	216.5 [63.4]	211.6 [62.0]	228.8 [67.0]	216.4 [63.4]
	Sens BTUH [kW]	159.3 [46.7]	138.9 [40.7]	130.9 [38.4]	178.1 [52.2]	155.2 [45.5]	146.3 [42.9]	195.4 [57.3]	170.3 [49.9]	160.5 [47.0]	160.5 [47.0]	203.1 [59.5]	177.1 [51.9]	166.9 [48.9]	210.1 [61.6]	183.2 [53.7]
	Power	21.5	20.9	20.7	21.4	20.8	20.6	21.3	20.7	20.5	20.5	21.3	20.7	20.5	21.2	20.6
120°F [48.9°C]	Total BTUH [kW]	238.2 [69.8]	225.3 [66.0]	220.2 [64.5]	230.7 [67.6]	218.2 [63.9]	213.3 [62.5]	225.6 [66.1]	213.4 [62.5]	208.6 [61.1]	208.6 [61.1]	224.3 [65.7]	212.2 [62.2]	207.4 [60.8]	224.2 [65.7]	212.0 [62.1]
	Sens BTUH [kW]	156.6 [45.9]	136.5 [40.0]	128.6 [37.7]	175.3 [51.4]	152.9 [44.8]	144.1 [42.2]	192.6 [56.5]	167.9 [49.2]	158.3 [46.4]	158.3 [46.4]	200.4 [58.7]	174.7 [51.2]	164.7 [48.3]	207.4 [60.8]	180.8 [53.0]
	Power	22.2	21.6	21.3	22.1	21.5	21.2	22.0	21.4	21.2	21.2	21.9	21.3	21.1	21.9	21.3
125°F [51.7°C]	Total BTUH [kW]	233.6 [68.5]	221.0 [64.8]	216.0 [63.3]	226.1 [66.3]	213.9 [62.7]	209.1 [61.3]	221.0 [64.8]	209.1 [61.3]	204.4 [59.9]	204.4 [59.9]	219.8 [64.4]	207.9 [60.9]	203.2 [59.6]	219.6 [64.4]	207.7 [60.9]
	Sens BTUH [kW]	153.8 [45.1]	134.1 [39.3]	126.4 [37.0]	172.6 [50.6]	150.4 [44.1]	141.8 [41.6]	189.9 [55.6]	165.5 [48.5]	156.0 [45.7]	156.0 [45.7]	197.7 [57.9]	172.3 [50.5]	162.4 [47.6]	204.6 [60.0]	178.4 [52.3]
	Power	22.9	22.3	22.0	22.8	22.2	21.9	22.7	22.1	21.8	21.8	22.6	22.0	21.8	22.6	22.0

DR — Depression ratio  
 dbE — Entering air dry bulb  
 w/E — Entering air wet bulb

NOTES: ① When the entering air dry bulb is other than 80°F [27°C], adjust the sensible capacity from the table by adding [(1.10 x CFM x (1 - DR) x dbE) - 80].

## Legend

— Total capacity x 1000 BTUH  
 — Sensible capacity x 1000 BTUH  
 — Power — kW input

COOLING PERFORMANCE DATA — RACG2T300

w/E		ENTERING INDOOR AIR @ 80°F [26.7°C] dbE ①														
		71°F [21.7°C]			67°F [19.4°C]			63°F [17.2°C]			61°F [16.1°C]			59°F [15.0°C]		
CFM [L/s]		12000 [5663]	8400 [3964]	8000 [3776]	12000 [5663]	8400 [3964]	8000 [3776]	12000 [5663]	8400 [3964]	8000 [3776]	12000 [5663]	8400 [3964]	8000 [3776]	12000 [5663]	8400 [3964]	8000 [3776]
75°F [23.9°C]	Total BTUH [kW]	339.4 [99.4]	314.8 [92.3]	312.1 [91.5]	331.7 [97.2]	307.7 [90.2]	305.1 [89.4]	326.5 [95.7]	302.9 [88.8]	300.3 [88.0]	325.2 [95.3]	301.7 [88.4]	299.1 [87.7]	325.1 [95.3]	301.6 [88.4]	299.0 [87.6]
	Sens BTUH [kW]	226.2 [66.3]	188.5 [55.2]	184.3 [54.0]	245.8 [72.0]	204.9 [60.0]	200.3 [58.7]	263.9 [77.3]	220.0 [64.5]	215.1 [63.0]	272.1 [79.7]	226.7 [66.4]	221.7 [65.0]	279.3 [81.9]	232.8 [68.2]	227.6 [66.7]
	Power	26.2	25.3	25.2	26.1	25.2	25.1	26.0	25.1	25.0	26.0	25.0	24.9	26.0	25.0	24.9
80°F [26.7°C]	Total BTUH [kW]	334.6 [98.1]	310.4 [91.0]	307.7 [90.2]	326.9 [95.8]	303.3 [88.9]	300.7 [88.1]	321.7 [94.3]	298.5 [87.5]	295.9 [86.7]	320.5 [93.9]	297.3 [87.1]	294.7 [86.4]	320.3 [93.9]	297.2 [87.1]	294.6 [86.3]
	Sens BTUH [kW]	223.7 [65.5]	186.4 [54.6]	182.3 [53.4]	243.3 [71.3]	202.8 [59.4]	198.3 [58.1]	261.4 [76.6]	217.9 [63.8]	213.0 [62.4]	269.6 [79.0]	224.6 [65.8]	219.6 [64.4]	276.8 [81.1]	230.7 [67.6]	225.6 [66.1]
	Power	26.7	25.7	25.6	26.6	25.6	25.5	26.4	25.5	25.4	26.4	25.4	25.4	26.4	25.4	25.3
85°F [29.4°C]	Total BTUH [kW]	329.8 [96.7]	306.0 [89.7]	303.4 [88.9]	322.2 [94.4]	298.9 [87.6]	296.3 [86.8]	317.0 [92.9]	294.1 [86.2]	291.5 [85.4]	315.7 [92.5]	292.9 [85.8]	290.3 [85.1]	315.6 [92.5]	292.8 [85.8]	290.2 [85.0]
	Sens BTUH [kW]	221.1 [64.8]	184.3 [54.0]	180.2 [52.8]	240.8 [70.5]	200.6 [58.8]	196.2 [57.5]	258.9 [75.9]	215.7 [63.2]	210.9 [61.8]	267.0 [78.2]	222.5 [65.2]	217.5 [63.7]	274.3 [80.4]	228.5 [67.0]	223.5 [65.5]
	Power	27.1	26.1	26.0	27.0	26.0	25.9	26.9	25.9	25.8	26.9	25.9	25.8	26.8	25.9	25.7
90°F [32.2°C]	Total BTUH [kW]	325.1 [95.3]	301.6 [88.4]	299.0 [87.6]	317.4 [93.0]	294.5 [86.3]	291.9 [85.5]	312.2 [91.5]	289.7 [84.9]	287.2 [84.1]	311.0 [91.1]	288.5 [84.5]	286.0 [83.8]	310.8 [91.1]	288.4 [84.5]	285.9 [83.8]
	Sens BTUH [kW]	218.5 [64.0]	182.1 [53.4]	178.0 [52.2]	238.1 [69.8]	198.5 [58.2]	194.0 [56.9]	256.3 [75.1]	213.5 [62.6]	208.8 [61.2]	264.4 [77.5]	220.3 [64.6]	215.4 [63.1]	271.7 [79.6]	226.4 [66.3]	221.3 [64.9]
	Power	27.6	26.6	26.5	27.5	26.5	26.4	27.4	26.4	26.3	27.4	26.4	26.3	27.3	26.3	26.2
95°F [35°C]	Total BTUH [kW]	320.4 [93.9]	297.2 [87.1]	294.6 [86.3]	312.7 [91.6]	290.1 [85.0]	287.6 [84.3]	307.5 [90.1]	285.3 [83.6]	282.8 [82.9]	306.2 [89.7]	284.1 [83.3]	281.6 [82.5]	306.1 [89.7]	284.0 [83.2]	281.5 [82.5]
	Sens BTUH [kW]	215.9 [63.3]	179.9 [52.7]	175.9 [51.5]	235.5 [69.0]	196.2 [57.5]	191.9 [56.2]	253.6 [74.3]	211.3 [61.9]	206.6 [60.6]	261.7 [76.7]	218.1 [63.9]	213.3 [62.5]	269.0 [78.8]	224.2 [65.7]	219.2 [64.2]
	Power	28.1	27.1	27.0	28.0	27.0	26.9	27.9	26.9	26.8	27.9	26.9	26.8	27.8	26.8	26.7
100°F [37.8°C]	Total BTUH [kW]	315.7 [92.5]	292.8 [85.8]	290.3 [85.1]	308.0 [90.2]	285.7 [83.7]	283.2 [83.0]	302.8 [88.7]	280.9 [82.3]	278.5 [81.6]	301.5 [88.4]	279.7 [82.0]	277.3 [81.3]	301.4 [88.3]	279.6 [81.9]	277.2 [81.2]
	Sens BTUH [kW]	213.2 [62.5]	177.6 [52.1]	173.7 [50.9]	232.8 [68.2]	194.0 [56.9]	189.7 [55.6]	250.9 [73.5]	209.1 [61.3]	204.5 [59.9]	259.1 [75.9]	215.9 [63.3]	211.1 [61.9]	266.3 [78.0]	221.9 [65.0]	217.0 [63.6]
	Power	28.7	27.6	27.5	28.6	27.5	27.4	28.5	27.4	27.3	28.4	27.4	27.3	28.4	27.4	27.2
105°F [40.6°C]	Total BTUH [kW]	311.0 [91.1]	288.5 [84.5]	286.0 [83.8]	303.3 [88.9]	281.4 [82.4]	278.9 [81.7]	298.1 [87.4]	276.6 [81.0]	274.2 [80.3]	296.8 [87.0]	275.4 [80.7]	273.0 [80.0]	296.7 [86.9]	275.2 [80.7]	272.9 [80.0]
	Sens BTUH [kW]	210.5 [61.7]	175.4 [51.4]	171.5 [50.2]	230.1 [67.4]	191.7 [56.2]	187.5 [54.9]	248.2 [72.7]	206.8 [60.6]	202.2 [59.3]	256.3 [75.1]	213.6 [62.6]	208.9 [61.2]	263.6 [77.2]	219.7 [64.4]	214.8 [62.9]
	Power	29.3	28.2	28.1	29.2	28.1	28.0	29.1	28.0	27.9	29.0	28.0	27.8	29.0	27.9	27.8
110°F [43.3°C]	Total BTUH [kW]	306.3 [89.8]	284.1 [83.3]	281.7 [82.5]	298.6 [87.5]	277.0 [81.2]	274.6 [80.5]	293.4 [86.0]	272.2 [79.8]	269.8 [79.1]	292.1 [85.6]	271.0 [79.4]	268.7 [78.7]	292.0 [85.6]	270.9 [79.4]	268.5 [78.7]
	Sens BTUH [kW]	207.7 [60.9]	173.1 [50.7]	169.2 [49.6]	227.3 [66.6]	189.4 [55.5]	185.2 [54.3]	245.4 [71.9]	204.5 [59.9]	200.0 [58.6]	253.6 [74.3]	211.3 [61.9]	206.6 [60.5]	260.8 [76.4]	217.3 [63.7]	212.5 [62.3]
	Power	29.9	28.8	28.7	29.8	28.7	28.6	29.7	28.6	28.5	29.6	28.6	28.4	29.6	28.5	28.4
115°F [46.1°C]	Total BTUH [kW]	301.6 [88.4]	279.8 [82.0]	277.4 [81.3]	293.9 [86.1]	272.7 [79.9]	270.3 [79.2]	288.7 [84.6]	267.9 [78.5]	265.6 [77.8]	287.5 [84.2]	266.7 [78.2]	264.4 [77.5]	287.3 [84.2]	266.6 [78.1]	264.3 [77.4]
	Sens BTUH [kW]	204.9 [60.0]	170.7 [50.0]	166.9 [48.9]	224.5 [65.8]	187.1 [54.8]	182.9 [53.6]	242.6 [71.1]	202.2 [59.2]	197.7 [57.9]	250.7 [73.5]	209.0 [61.2]	204.3 [59.9]	258.0 [75.6]	215.0 [63.0]	210.2 [61.6]
	Power	30.5	29.4	29.3	30.4	29.3	29.2	30.3	29.2	29.1	30.3	29.2	29.1	30.2	29.1	29.0
120°F [48.9°C]	Total BTUH [kW]	297.0 [87.0]	275.5 [80.7]	273.1 [80.0]	289.3 [84.8]	268.4 [78.6]	266.0 [78.0]	284.1 [83.3]	263.6 [77.2]	261.3 [76.6]	282.8 [82.9]	262.4 [76.9]	260.1 [76.2]	282.7 [82.8]	262.2 [76.8]	260.0 [76.2]
	Sens BTUH [kW]	202.0 [59.2]	168.3 [49.3]	164.6 [48.2]	221.7 [65.0]	184.7 [54.1]	180.6 [52.9]	239.8 [70.3]	199.8 [58.5]	195.4 [57.2]	247.9 [72.6]	206.6 [60.5]	202.0 [59.2]	255.2 [74.8]	212.6 [62.3]	207.9 [60.9]
	Power	31.2	30.1	29.9	31.1	30.0	29.8	31.0	29.9	29.8	31.0	29.8	29.7	30.9	29.8	29.7
125°F [51.7°C]	Total BTUH [kW]	292.3 [85.7]	271.2 [79.5]	268.8 [78.8]	284.6 [83.4]	264.1 [77.4]	261.8 [76.7]	279.5 [81.9]	259.3 [76.0]	257.0 [75.3]	278.2 [81.5]	258.1 [75.6]	255.8 [75.0]	278.0 [81.5]	257.9 [75.6]	255.7 [74.9]
	Sens BTUH [kW]	199.1 [58.4]	165.9 [48.6]	162.3 [47.5]	218.8 [64.1]	182.3 [53.4]	178.3 [52.2]	236.9 [69.4]	197.4 [57.8]	193.0 [56.6]	245.0 [71.8]	204.2 [59.8]	199.6 [58.5]	252.3 [73.9]	210.2 [61.6]	205.6 [60.2]
	Power	31.9	30.8	30.6	31.8	30.7	30.5	31.7	30.6	30.4	31.7	30.5	30.4	31.6	30.5	30.4

DR — Depression ratio  
 dbE — Entering air dry bulb  
 w/E — Entering air wet bulb

[ ] Designates Metric Conversions

Total — Total capacity x 1000 BTUH  
 Sens — Sensible capacity x 1000 BTUH  
 Power — KW input

NOTES: ① When the entering air dry bulb is other than 80°F [27°C], adjust the sensible capacity from the table by adding [1.10 x CFM x (1 - DR) x (dbE - 80)].



# AIRFLOW PERFORMANCE—15 TON [52.7 kW]—60 Hz—SIDEFLOW

Air Flow CFM (L/s)	Model RACG2T180A Voltage 208/230, 460, 575 — 3 phase 60 Hz																																							
	External Static Pressure—Inches of Water [kPa]																																							
	0.1 [0.02]	0.2 [0.05]	0.3 [0.07]	0.4 [0.10]	0.5 [0.12]	0.6 [0.15]	0.7 [0.17]	0.8 [0.20]	0.9 [0.22]	1.0 [0.25]	1.1 [0.27]	1.2 [0.30]	1.3 [0.32]	1.4 [0.35]	1.5 [0.37]	1.6 [0.40]	1.7 [0.42]	1.8 [0.45]	1.9 [0.47]	2.0 [0.50]	0.1 [0.02]	0.2 [0.05]	0.3 [0.07]	0.4 [0.10]	0.5 [0.12]	0.6 [0.15]	0.7 [0.17]	0.8 [0.20]	0.9 [0.22]	1.0 [0.25]	1.1 [0.27]	1.2 [0.30]	1.3 [0.32]	1.4 [0.35]	1.5 [0.37]	1.6 [0.40]	1.7 [0.42]	1.8 [0.45]	1.9 [0.47]	2.0 [0.50]
4800 [2265]	—	—	—	—	653	1.53	686	1.70	716	1.86	742	2.01	766	2.15	786	2.28	802	2.41	815	2.52	825	2.63	892	2.78	914	2.89	935	2.99	955	3.07	975	3.16	993	3.23	1011	3.29	—	—		
4900 [2312]	—	—	—	—	659	1.59	692	1.77	722	1.94	749	2.11	772	2.26	792	2.40	809	2.54	822	2.66	875	2.77	897	2.89	919	3.00	940	3.10	960	3.19	980	3.28	998	3.35	1016	3.42	—	—		
5000 [2359]	—	—	—	—	665	1.66	699	1.85	729	2.03	756	2.21	779	2.37	799	2.53	816	2.67	887	2.79	880	2.87	903	3.00	924	3.11	945	3.21	965	3.31	984	3.40	1003	3.48	1021	3.56	—	—		
5100 [2407]	—	—	—	—	671	1.73	705	1.93	735	2.12	762	2.31	785	2.49	806	2.65	822	2.81	863	2.84	886	2.98	908	3.10	929	3.22	950	3.33	970	3.43	989	3.53	1008	3.61	1026	3.69	—	—		
5200 [2454]	—	—	—	—	640	1.58	677	1.80	711	2.01	741	2.22	768	2.42	792	2.60	812	2.78	844	2.80	868	2.95	911	3.08	934	3.21	934	3.34	955	3.45	975	3.56	994	3.65	1013	3.75	1056	4.23	—	—
5300 [2501]	—	—	—	—	646	1.64	683	1.87	717	2.10	747	2.32	774	2.52	798	2.72	818	2.91	850	2.90	873	3.05	896	3.19	918	3.33	939	3.45	960	3.57	980	3.68	999	3.78	1018	3.88	1060	4.36	—	—
5400 [2548]	—	—	—	—	652	1.70	689	1.95	723	2.19	753	2.41	781	2.63	804	2.84	825	3.04	855	3.00	878	3.15	901	3.30	923	3.44	945	3.57	965	3.69	985	3.81	1004	3.92	1022	4.01	1064	4.51	—	—
5500 [2595]	—	—	—	—	657	1.77	695	2.03	729	2.27	759	2.51	787	2.74	810	2.96	836	3.23	860	3.10	884	3.26	906	3.41	928	3.55	950	3.69	970	3.82	990	3.94	1009	4.05	1027	4.15	1068	4.65	—	—
5600 [2643]	—	—	—	—	663	1.84	700	2.11	734	2.36	765	2.61	792	2.86	816	3.09	841	3.03	866	3.20	889	3.37	912	3.52	934	3.67	955	3.81	975	3.94	995	4.07	1014	4.18	1051	4.59	1072	4.80	—	—
5700 [2690]	—	—	—	—	669	1.91	706	2.19	740	2.46	771	2.72	798	2.97	822	3.21	847	3.13	871	3.31	894	3.48	917	3.64	939	3.79	960	3.93	980	4.07	1000	4.20	1019	4.32	1055	4.74	—	—		
5800 [2737]	—	—	—	—	674	1.98	712	2.27	746	2.55	777	2.82	804	3.09	828	3.04	852	3.23	876	3.42	900	3.59	922	3.75	944	3.91	965	4.06	985	4.20	1005	4.33	1023	4.46	1059	4.89	—	—		
5900 [2784]	—	—	—	—	679	2.05	717	2.36	751	2.65	782	2.93	810	3.21	833	3.15	858	3.34	882	3.52	905	3.70	927	3.87	949	4.03	970	4.18	990	4.33	1010	4.47	1028	4.60	1064	5.04	—	—		
6000 [2831]	—	—	—	—	643	1.81	684	2.13	722	2.44	757	2.75	788	3.04	815	3.33	839	3.25	863	3.44	887	3.63	910	3.82	932	3.99	954	4.16	975	4.31	995	4.46	1014	4.60	1046	4.97	1088	5.20	—	—
6100 [2878]	—	—	—	—	648	1.88	690	2.21	727	2.53	762	2.85	793	3.15	821	3.45	844	3.35	869	3.55	892	3.75	915	3.93	938	4.11	959	4.28	980	4.44	1000	4.60	1019	4.74	1051	5.12	1073	5.36	—	—
6200 [2926]	—	—	—	—	653	1.94	695	2.29	733	2.63	767	2.95	798	3.27	826	3.58	849	3.46	874	3.66	898	3.86	921	4.05	943	4.23	964	4.41	985	4.57	1005	4.73	1024	4.88	1066	5.28	—	—		
6300 [2973]	—	—	—	—	658	2.02	700	2.37	738	2.72	772	3.06	804	3.39	831	3.30	855	3.56	879	3.77	903	3.98	926	4.17	948	4.36	969	4.54	990	4.71	1010	4.87	1029	5.02	1060	5.45	—	—		
6400 [3020]	—	—	—	—	663	2.09	704	2.46	743	2.82	777	3.16	809	3.50	835	3.45	860	3.67	885	3.89	909	4.09	931	4.29	953	4.48	974	4.67	995	4.84	1015	5.01	1044	5.36	1065	5.62	—	—		
6500 [3067]	—	—	—	—	668	2.17	709	2.54	747	2.91	782	3.27	814	3.62	841	3.55	866	3.78	890	4.00	914	4.21	936	4.42	958	4.61	980	4.80	1000	4.98	1020	5.15	1048	5.53	1070	5.79	—	—		
6600 [3114]	—	—	—	—	672	2.24	714	2.63	752	3.01	787	3.38	819	3.75	846	3.66	871	3.89	895	4.12	919	4.33	942	4.54	963	4.74	985	4.93	1005	5.12	1025	5.29	1053	5.69	1075	5.97	—	—		
6700 [3162]	—	—	—	—	677	2.32	719	2.72	757	3.12	792	3.50	824	3.87	852	3.77	877	4.01	901	4.23	924	4.46	947	4.67	969	4.87	990	5.07	1010	5.26	1030	5.44	1058	5.87	—	—				
6800 [3209]	—	—	—	—	681	2.40	723	2.82	762	3.22	797	3.61	832	3.63	857	3.88	882	4.12	906	4.35	929	4.58	952	4.80	974	5.01	995	5.21	1015	5.40	1042	5.77	1064	6.05	—	—				
6900 [3256]	—	—	—	—	640	2.06	686	2.49	727	2.91	766	3.33	801	3.73	837	3.74	863	3.99	888	4.24	911	4.48	935	4.71	957	4.93	979	5.14	1000	5.35	1020	5.54	1047	5.94	1069	6.23	—	—		
7000 [3303]	—	—	—	—	644	2.13	690	2.57	732	3.01	770	3.43	806	3.85	843	3.85	868	4.11	893	4.36	917	4.60	940	4.83	962	5.06	984	5.28	1005	5.49	1025	5.69	1053	6.12	1074	6.42	—	—		
7100 [3350]	—	—	—	—	648	2.21	694	2.66	736	3.11	775	3.54	810	3.97	849	3.96	874	4.22	898	4.48	922	4.72	945	4.96	968	5.19	989	5.41	1010	5.63	1036	6.01	1058	6.31	—	—				
7200 [3398]	—	—	—	—	652	2.29	698	2.75	740	3.21	779	3.66	814	4.09	854	4.08	879	4.34	904	4.60	928	4.85	951	5.09	973	5.33	994	5.55	1015	5.77	1042	6.19	1063	6.49	—	—				

NOTE: F-Drive left of bold line, G-Drive right of bold line.

Drive Package	F										G										H																
	3	2	1	0	3	2	1	0	3	2	1	0	3	2	1	0	3	2	1	0	3	2	1	0	3	2	1	0	3	2	1	0	3	2	1	0	
Motor H.P. [W]	3 [2237.1]										5 [3728.5]										5 [3728.5]																
Motor RPM	1725										1755										1755																
Blower Sheave	BK90H										BK95H										BK90H																
Motor Frame Size	56										184										184																
Motor Sheave	1VL44										1VP56										1VP56																
Turns Open RPM	0	1	2	3	4	5	6	0	1	2	3	4	5	6	0	1	2	3	4	5	6	0	1	2	3	4	5	6	0	1	2	3	4	5	6		
RPM	813	777	745	712	681	645	645	612	577	541	505	469	433	397	361	325	289	253	217	181	145	109	73	37	1	1052	1016	983	952	916	879	843	807	771	735	699	663

- NOTES: 1. Factory sheave settings are shown in bold type.  
 2. Do not set motor sheave below minimum or maximum turns open shown.  
 3. Re-adjustment of sheave required to achieve rated airflow at AHRI minimum External Static Pressure.  
 4. Drive data shown is for horizontal airflow with dry coil. Add component resistance (below) to duct resistance to determine total External Static Pressure.  
 5. An RPM meter must be used to receive an accurate airflow reading.

## [ ] Designates Metric Conversions

**AIRFLOW PERFORMANCE—15 TON [52.7 kW]—60 Hz—DOWNFLOW**

Air Flow CFM [L/s]	Voltage 208/230, 460, 575 — 3 phase 60 Hz																																							
	External Static Pressure—Inches of Water [kPa]																																							
	0.1 [0.02]		0.2 [0.05]		0.3 [0.07]		0.4 [0.10]		0.5 [0.12]		0.6 [0.15]		0.7 [0.17]		0.8 [0.20]		0.9 [0.22]		1.0 [0.25]		1.1 [0.27]		1.2 [0.30]		1.3 [0.32]		1.4 [0.35]		1.5 [0.37]		1.6 [0.40]		1.7 [0.42]		1.8 [0.45]		1.9 [0.47]		2.0 [0.50]	
RPM	BHP	RPM	BHP	RPM	BHP	RPM	BHP	RPM	BHP	RPM	BHP	RPM	BHP	RPM	BHP	RPM	BHP	RPM	BHP	RPM	BHP	RPM	BHP	RPM	BHP	RPM	BHP	RPM	BHP	RPM	BHP	RPM	BHP	RPM	BHP	RPM	BHP			
4800 [2265]	—	—	—	—	—	—	—	—	—	—	—	—	—	—	—	—	—	—	—	—	—	—	—	—	—	—	—	—	—	—	—	—	—	—	—	—	—	—	—	
4900 [2312]	—	—	—	—	—	—	—	—	—	—	—	—	—	—	—	—	—	—	—	—	—	—	—	—	—	—	—	—	—	—	—	—	—	—	—	—	—	—	—	
5000 [2359]	—	—	—	—	—	—	—	—	—	—	—	—	—	—	—	—	—	—	—	—	—	—	—	—	—	—	—	—	—	—	—	—	—	—	—	—	—	—	—	
5100 [2407]	—	—	—	—	—	—	—	—	—	—	—	—	—	—	—	—	—	—	—	—	—	—	—	—	—	—	—	—	—	—	—	—	—	—	—	—	—	—	—	
5200 [2454]	—	—	—	—	—	—	—	—	—	—	—	—	—	—	—	—	—	—	—	—	—	—	—	—	—	—	—	—	—	—	—	—	—	—	—	—	—	—	—	
5300 [2501]	—	—	—	—	—	—	—	—	—	—	—	—	—	—	—	—	—	—	—	—	—	—	—	—	—	—	—	—	—	—	—	—	—	—	—	—	—	—	—	
5400 [2548]	—	—	—	—	—	—	—	—	—	—	—	—	—	—	—	—	—	—	—	—	—	—	—	—	—	—	—	—	—	—	—	—	—	—	—	—	—	—	—	
5500 [2595]	—	—	—	—	—	—	—	—	—	—	—	—	—	—	—	—	—	—	—	—	—	—	—	—	—	—	—	—	—	—	—	—	—	—	—	—	—	—	—	
5600 [2643]	—	—	—	—	—	—	—	—	—	—	—	—	—	—	—	—	—	—	—	—	—	—	—	—	—	—	—	—	—	—	—	—	—	—	—	—	—	—	—	
5700 [2690]	—	—	—	—	—	—	—	—	—	—	—	—	—	—	—	—	—	—	—	—	—	—	—	—	—	—	—	—	—	—	—	—	—	—	—	—	—	—	—	
5800 [2737]	—	—	—	—	—	—	—	—	—	—	—	—	—	—	—	—	—	—	—	—	—	—	—	—	—	—	—	—	—	—	—	—	—	—	—	—	—	—	—	
5900 [2784]	—	—	—	—	—	—	—	—	—	—	—	—	—	—	—	—	—	—	—	—	—	—	—	—	—	—	—	—	—	—	—	—	—	—	—	—	—	—	—	
6000 [2831]	—	—	—	—	—	—	—	—	—	—	—	—	—	—	—	—	—	—	—	—	—	—	—	—	—	—	—	—	—	—	—	—	—	—	—	—	—	—	—	
6100 [2878]	—	—	—	—	—	—	—	—	—	—	—	—	—	—	—	—	—	—	—	—	—	—	—	—	—	—	—	—	—	—	—	—	—	—	—	—	—	—	—	
6200 [2926]	—	—	—	—	—	—	—	—	—	—	—	—	—	—	—	—	—	—	—	—	—	—	—	—	—	—	—	—	—	—	—	—	—	—	—	—	—	—	—	
6300 [2973]	—	—	—	—	—	—	—	—	—	—	—	—	—	—	—	—	—	—	—	—	—	—	—	—	—	—	—	—	—	—	—	—	—	—	—	—	—	—	—	
6400 [3020]	—	—	—	—	—	—	—	—	—	—	—	—	—	—	—	—	—	—	—	—	—	—	—	—	—	—	—	—	—	—	—	—	—	—	—	—	—	—	—	—
6500 [3067]	—	—	—	—	—	—	—	—	—	—	—	—	—	—	—	—	—	—	—	—	—	—	—	—	—	—	—	—	—	—	—	—	—	—	—	—	—	—	—	—
6600 [3114]	—	—	—	—	—	—	—	—	—	—	—	—	—	—	—	—	—	—	—	—	—	—	—	—	—	—	—	—	—	—	—	—	—	—	—	—	—	—	—	—
6700 [3162]	—	—	—	—	—	—	—	—	—	—	—	—	—	—	—	—	—	—	—	—	—	—	—	—	—	—	—	—	—	—	—	—	—	—	—	—	—	—	—	—
6800 [3209]	—	—	—	—	—	—	—	—	—	—	—	—	—	—	—	—	—	—	—	—	—	—	—	—	—	—	—	—	—	—	—	—	—	—	—	—	—	—	—	—
6900 [3256]	—	—	—	—	—	—	—	—	—	—	—	—	—	—	—	—	—	—	—	—	—	—	—	—	—	—	—	—	—	—	—	—	—	—	—	—	—	—	—	—
7000 [3303]	—	—	—	—	—	—	—	—	—	—	—	—	—	—	—	—	—	—	—	—	—	—	—	—	—	—	—	—	—	—	—	—	—	—	—	—	—	—	—	—
7100 [3350]	527	1.62	556	1.75	585	1.91	614	2.08	644	2.28	675	2.50	706	2.73	737	2.99	769	3.27	802	3.56	836	3.72	864	4.01	891	4.31	913	4.54	937	4.82	961	5.12	985	5.42	1010	5.74	1034	6.08	—	—
7200 [3398]	532	1.68	560	1.82	588	1.98	618	2.16	648	2.36	678	2.58	709	2.82	740	3.08	772	3.36	805	3.66	838	3.78	866	4.08	893	4.37	915	4.63	939	4.92	963	5.22	988	5.53	1012	5.86	1036	6.20	—	—

NOTE: F-Drive left of bold line, G-Drive right of bold line.

		F											G											H																		
Drive Package	Motor H.P. [W]	3 [2237.1]											5 [3728.5]											5 [3728.5]																		
Motor RPM	Blower Sheave	1725											1755											1755																		
Motor Frame Size	Motor Sheave	BK90H											BK95H											BK90H																		
		56											184											184																		
		1VL44											1VP56											1VP56																		
Turns Open	RPM	0	1	2	3	4	5	6	6	6	6	6	6	6	6	6	6	6	6	6	6	6	6	6	6	6	6	6	6	6	6	6	6	6	6	6	6	6	6	6	6	
		806	774	<b>743</b>	707	672	637	637	637	637	637	637	637	637	637	637	637	637	637	637	637	637	637	637	637	637	637	637	637	637	637	637	637	637	637	637	637	637	637	637	637	
		1000	967	935	901	866	832	832	832	832	832	832	832	832	832	832	832	832	832	832	832	832	832	832	832	832	832	832	832	832	832	832	832	832	832	832	832	832	832	832	832	832
		1037	1008	978	945	912	878	844	810	776	742	708	674	640	606	572	538	504	470	436	402	368	334	300	266	232	198	164	130	96	62	28	28	28	28	28	28	28	28	28	28	28

- 1. Factory sheave settings are shown in bold type.
- 2. Do not set motor sheave below minimum or maximum turns open shown.
- 3. Re-adjustment of sheave required to achieve rated airflow at AHRI minimum External Static Pressure.
- 4. Drive data shown is for horizontal airflow with dry coil. Add component resistance (below) to duct resistance to determine total External Static Pressure.
- 5. An RPM meter must be used to receive an accurate airflow reading.

**[ ] Designates Metric Conversions**



### COMPONENT AIRFLOW RESISTANCE—15 TON [52.7 kW]

CFM [L/s]	4800 [2265]	5000 [2359]	5200 [2454]	5400 [2548]	5600 [2643]	5800 [2737]	6000 [2831]	6200 [2926]	6400 [3020]	6600 [3114]	6800 [3209]	7000 [3303]	7200 [3398]
	Resistance—Inches of Water [kPa]												
Wet Coil	0.01 [0.00]	0.02 [0.00]	0.02 [0.00]	0.03 [0.01]	0.03 [0.01]	0.04 [0.01]	0.04 [0.01]	0.04 [0.01]	0.05 [0.01]	0.05 [0.01]	0.06 [0.01]	0.06 [0.01]	0.06 [0.01]
Downflow Economizer RA Damper Open	0.17 [0.08]	0.18 [0.08]	0.19 [0.08]	0.2 [0.09]	0.21 [0.09]	0.22 [0.10]	0.23 [0.10]	0.24 [0.11]	0.25 [0.11]	0.26 [0.12]	0.26 [0.12]	0.27 [0.12]	0.28 [0.13]
Horizontal Economizer RA Damper Open	0.7 [0.33]	0.7 [0.33]	0.8 [0.37]	0.8 [0.37]	0.8 [0.37]	0.8 [0.37]	0.8 [0.37]	0.8 [0.37]	0.9 [0.42]	0.9 [0.42]	0.9 [0.42]	0.9 [0.42]	0.9 [0.42]
MERV 8 Filter	0.075 [0.03]	0.079 [0.03]	0.083 [0.03]	0.087 [0.04]	0.091 [0.04]	0.095 [0.04]	0.099 [0.04]	0.103 [0.04]	0.107 [0.05]	0.111 [0.05]	0.116 [0.05]	0.12 [0.05]	0.124 [0.05]
MERV 13 Filter	0.019 [0.00]	0.026 [0.01]	0.032 [0.01]	0.038 [0.01]	0.044 [0.02]	0.051 [0.02]	0.057 [0.02]	0.063 [0.02]	0.07 [0.03]	0.076 [0.03]	0.082 [0.03]	0.089 [0.04]	0.095 [0.04]
Concentric Grill RXRN-AD80 or RXRN-AD81 & Transition FXMC-CJ07	0.21 [0.05]	0.25 [0.06]	0.28 [0.07]	0.32 [0.08]	0.35 [0.09]	0.39 [0.10]	0.43 [0.11]	0.46 [0.11]	0.5 [0.12]	0.54 [0.13]	0.57 [0.14]	0.61 [0.15]	0.64 [0.16]

### AIRFLOW CORRECTION FACTORS—15 TON [52.7 kW]

CFM [L/s]	4800 [2265]	5000 [2359]	5200 [2454]	5400 [2548]	5600 [2643]	5800 [2737]	6000 [2831]	6200 [2926]	6400 [3020]	6600 [3114]	6800 [3209]	7000 [3303]	7200 [3398]
	Resistance—Inches of Water [kPa]												
Total MBH	0.97	0.98	0.99	0.99	0.99	1.00	1.00	1.01	1.02	1.02	1.03	1.03	1.04
Sensible MBH	0.89	0.91	0.93	0.95	0.97	0.99	1.01	1.03	1.05	1.07	1.09	1.11	1.13
Power kW	0.98	0.99	0.99	1.00	1.00	1.00	1.01	1.01	1.01	1.01	1.02	1.02	1.02

NOTE: Multiply correction factor times gross performance data—resulting sensible capacity cannot exceed total capacity.

[ ] Designates Metric Conversions





### COMPONENT AIRFLOW RESISTANCE—17.5 TON [61.5 kW]

CFM [L/s]	Resistance—Inches of Water [kPa]														
	5600 [2643]	5800 [2737]	6000 [2831]	6200 [2926]	6400 [3020]	6600 [3114]	6800 [3209]	7000 [3303]	7200 [3398]	7400 [3492]	7600 [3586]	7800 [3681]	8000 [3775]	8200 [3869]	8400 [3964]
Wet Coil	0.03 [0.01]	0.04 [0.01]	0.04 [0.01]	0.04 [0.01]	0.05 [0.01]	0.05 [0.01]	0.06 [0.01]	0.06 [0.01]	0.06 [0.01]	0.07 [0.02]	0.07 [0.02]	0.08 [0.02]	0.08 [0.02]	0.08 [0.02]	0.09 [0.02]
Downflow Economizer RA Damper Open	0.21 [0.09]	0.22 [0.01]	0.23 [0.01]	0.24 [0.01]	0.25 [0.01]	0.26 [0.01]	0.26 [0.01]	0.27 [0.01]	0.28 [0.01]	0.29 [0.01]	0.3 [0.01]	0.31 [0.01]	0.32 [0.01]	0.33 [0.01]	0.33 [0.01]
Horizontal Economizer RA Damper Open	0.08 [0.03]	0.08 [0.03]	0.08 [0.03]	0.08 [0.03]	0.09 [0.04]	0.09 [0.04]	0.09 [0.04]	0.09 [0.04]	0.09 [0.04]	0.09 [0.04]	0.1 [0.04]	0.1 [0.04]	0.1 [0.04]	0.1 [0.04]	0.1 [0.04]
MERV 8 Filter	0.091 [0.04]	0.095 [0.04]	0.099 [0.04]	0.103 [0.04]	0.107 [0.05]	0.111 [0.05]	0.116 [0.05]	0.12 [0.05]	0.124 [0.05]	0.128 [0.06]	0.132 [0.06]	0.136 [0.06]	0.14 [0.06]	0.144 [0.06]	0.148 [0.06]
MERV 13 Filter	0.044 [0.02]	0.051 [0.02]	0.057 [0.02]	0.063 [0.02]	0.07 [0.03]	0.076 [0.03]	0.082 [0.03]	0.089 [0.04]	0.095 [0.04]	0.101 [0.04]	0.107 [0.05]	0.114 [0.05]	0.12 [0.05]	0.126 [0.05]	0.133 [0.06]
Concentric Grill RXRN-AD80 or RXRN-AD81 & Transition RXMC-CJ07	0.35 [0.09]	0.39 [0.10]	0.43 [0.11]	0.46 [0.11]	0.5 [0.12]	0.54 [0.13]	0.57 [0.14]	0.61 [0.15]	0.64 [0.16]	0.68 [0.17]	0.72 [0.18]	0.75 [0.19]	0.79 [0.20]	0.83 [0.21]	0.86 [0.21]

### AIRFLOW CORRECTION FACTORS—17.5 TON [61.5 kW]

CFM [L/s]	Resistance—Inches of Water [kPa]														
	5600 [2643]	5800 [2737]	6000 [2831]	6200 [2926]	6400 [3020]	6600 [3114]	6800 [3209]	7000 [3303]	7200 [3398]	7400 [3492]	7600 [3586]	7800 [3681]	8000 [3775]	8200 [3869]	8400 [3964]
Total MBH	0.97	0.97	0.98	0.98	0.99	0.99	1.00	1.00	1.01	1.01	1.02	1.02	1.03	1.03	1.04
Sensible MBH	0.87	0.89	0.91	0.93	0.95	0.97	0.99	1.01	1.03	1.05	1.07	1.09	1.11	1.13	1.15
Power kW	0.98	0.99	0.99	0.99	0.99	1.00	1.00	1.00	1.00	1.01	1.01	1.01	1.01	1.02	1.02

NOTE: Multiply correction factor times gross performance data—resulting sensible capacity cannot exceed total capacity.

[ ] Designates Metric Conversions

## AIRFLOW PERFORMANCE—20 TON [70.3 kW]—60 Hz—SIDEFLOW

Air Flow CFM [L/s]	Model: RACG2180A Voltage 208/230, 460, 575 — 3 phase 60 Hz																			
	External Static Pressure—Inches of Water [kPa]																			
	0.1 [0.2]	0.2 [0.05]	0.3 [0.07]	0.4 [0.10]	0.5 [0.12]	0.6 [0.15]	0.7 [0.17]	0.8 [0.20]	0.9 [0.22]	1.0 [0.25]	1.1 [0.27]	1.2 [0.30]	1.3 [0.32]	1.4 [0.35]	1.5 [0.37]	1.6 [0.40]	1.7 [0.42]	1.8 [0.45]	1.9 [0.47]	2.0 [0.50]
6400 [3020]	—	—	—	—	—	—	—	—	—	—	—	—	—	—	—	—	—	—	—	—
6500 [3067]	—	—	722	754	784	806	831	853	873	891	906	919	934	941	949	957	964	971	978	984
6600 [3114]	—	—	726	758	788	808	831	854	878	895	904	913	920	927	934	941	948	955	962	968
6700 [3162]	—	—	729	762	793	816	841	867	892	909	918	925	932	939	946	953	960	967	974	981
6800 [3209]	—	—	733	766	799	825	853	882	908	926	935	941	948	954	961	968	975	982	989	996
6900 [3256]	—	—	737	769	802	830	857	885	912	930	939	945	952	959	966	973	980	987	994	1001
7000 [3303]	—	—	740	774	809	837	862	887	915	934	942	947	954	961	968	975	982	989	996	1003
7100 [3350]	—	—	744	781	818	848	875	902	930	949	957	962	969	976	983	990	997	1004	1011	1018
7200 [3398]	—	—	748	789	830	862	891	920	949	969	976	981	988	995	1002	1009	1016	1023	1030	1037
7300 [3445]	—	—	752	796	840	875	906	936	966	987	994	1000	1006	1013	1020	1027	1034	1041	1048	1055
7400 [3492]	—	—	756	803	849	887	920	952	982	1003	1010	1016	1022	1029	1036	1043	1050	1057	1064	1071
7500 [3539]	—	—	761	810	859	899	940	981	1022	1063	1070	1076	1082	1089	1095	1102	1109	1116	1123	1130
7600 [3586]	—	—	765	816	868	911	955	1000	1045	1090	1097	1104	1110	1117	1124	1131	1138	1145	1152	1159
7700 [3633]	—	—	769	822	877	933	982	1033	1084	1135	1142	1149	1156	1163	1170	1177	1184	1191	1198	1205
7800 [3681]	—	—	773	828	886	944	1004	1065	1126	1177	1184	1191	1198	1205	1212	1219	1226	1233	1240	1247
7900 [3728]	—	—	776	833	893	954	1017	1081	1145	1206	1213	1220	1227	1234	1241	1248	1255	1262	1269	1276
8000 [3775]	—	—	779	837	900	964	1030	1097	1165	1228	1235	1242	1249	1256	1263	1270	1277	1284	1291	1298
8100 [3822]	—	—	783	842	908	975	1044	1115	1187	1252	1259	1266	1273	1280	1287	1294	1301	1308	1315	1322
8200 [3869]	—	—	787	847	915	984	1056	1130	1205	1272	1279	1286	1293	1300	1307	1314	1321	1328	1335	1342
8300 [3917]	—	—	791	852	922	993	1068	1145	1224	1292	1299	1306	1313	1320	1327	1334	1341	1348	1355	1362
8400 [3964]	—	—	795	857	930	1004	1081	1161	1242	1311	1318	1325	1332	1339	1346	1353	1360	1367	1374	1381
8500 [4011]	—	—	799	862	937	1014	1094	1177	1262	1332	1339	1346	1353	1360	1367	1374	1381	1388	1395	1402
8600 [4058]	—	—	803	867	944	1023	1105	1190	1277	1348	1355	1362	1369	1376	1383	1390	1397	1404	1411	1418
8700 [4105]	222	323	367	406	449	494	541	589	638	688	695	702	709	716	723	730	737	744	751	758
8800 [4153]	725	333	377	418	464	513	563	613	664	715	722	729	736	743	750	757	764	771	778	785
8900 [4200]	729	344	389	431	479	529	580	632	684	736	743	750	757	764	771	778	785	792	799	806
9000 [4247]	733	355	399	443	493	545	598	652	706	759	766	773	780	787	794	801	808	815	822	829
9100 [4294]	737	366	411	456	507	561	616	671	727	781	788	795	802	809	816	823	830	837	844	851
9200 [4341]	740	378	424	470	522	576	631	687	744	799	806	813	820	827	834	841	848	855	862	869
9300 [4388]	744	390	437	484	538	593	649	706	764	821	828	835	842	849	856	863	870	877	884	891
9400 [4436]	748	402	449	497	552	608	665	723	782	840	847	854	861	868	875	882	889	896	903	910
9500 [4483]	752	415	463	512	568	625	683	742	802	861	868	875	882	889	896	903	910	917	924	931
9600 [4530]	756	428	477	527	584	642	701	761	822	882	889	896	903	910	917	924	931	938	945	952

NOTE: F-Drive left of bold line, G-Drive right of bold line.

### AIRFLOW PERFORMANCE—20 TON [70.3 kW]—60 Hz—SIDEFLOW (Con't.)

Drive Package	F						G						H									
	0	1	2	3	4	5	6	7	8	9	10	11	12	13	14	15	16	17	18	19	20	21
Motor H.P. [W]	5 [3728.5]						5 [3728.5]						7.5 [5592.7]									
Motor RPM	1755						1755						1760									
Blower Sheave	BK105						BK90						BK105									
Motor Frame Size	184						184						213									
Motor Sheave	1VP-56						1VP-56						1VP71									
Turns Open	0	1	2	3	4	5	6	7	8	9	10	11	12	13	14	15	16	17	18	19	20	21
RPM	—	919	883	847	818	789	761	732	704	676	648	620	592	564	536	508	480	452	424	396	368	340

NOTES: 1. Factory sheave settings are shown in bold type.  
 2. Do not set motor sheave below minimum or maximum turns open shown.  
 3. Re-adjustment of sheave required to achieve rated airflow at AHRI minimum External Static Pressure.  
 4. Drive data shown is for horizontal airflow with dry coil. Add component resistance (below) to duct resistance to determine total External Static Pressure.  
 5. An RPM meter must be used to receive an accurate airflow reading.

[ ] Designates Metric Conversions



# AIRFLOW PERFORMANCE—20 TON [70.3 kW]—60 Hz—DOWNFLOW

Air Flow CFM (L/s)	Model: RACG2T180A Voltage 208/230, 460, 575 — 3 phase 60 Hz																									
	External Static Pressure—Inches of Water [kPa]																									
	0.1 [0.02]	0.2 [0.05]	0.3 [0.07]	0.4 [0.10]	0.5 [0.12]	0.6 [0.15]	0.7 [0.17]	0.8 [0.20]	0.9 [0.22]	1.0 [0.25]	1.1 [0.27]	1.2 [0.30]	1.3 [0.32]	1.4 [0.35]	1.5 [0.37]	1.6 [0.40]	1.7 [0.42]	1.8 [0.45]	1.9 [0.47]	2.0 [0.50]						
6400 [3020]	—	—	—	—	636 [1.80]	668 [2.03]	699 [2.26]	731 [2.51]	762 [2.76]	793 [3.02]	823 [3.29]	854 [3.56]	884 [3.84]	914 [4.13]	945 [4.46]	971 [4.82]	997 [5.08]	1022 [5.33]	1046 [5.59]	1076 [5.86]						
6500 [3067]	—	—	—	—	640 [1.85]	672 [2.08]	703 [2.32]	734 [2.57]	765 [2.82]	796 [3.08]	826 [3.35]	857 [3.63]	887 [3.91]	917 [4.20]	947 [4.62]	973 [4.88]	998 [5.14]	1023 [5.40]	1047 [5.66]	1077 [5.92]						
6600 [3114]	—	—	—	—	644 [1.91]	675 [2.14]	706 [2.38]	737 [2.63]	768 [2.89]	799 [3.15]	829 [3.42]	859 [3.70]	889 [3.99]	919 [4.28]	948 [4.67]	974 [4.94]	999 [5.21]	1024 [5.47]	1048 [5.73]	1078 [5.99]						
6700 [3162]	—	—	—	—	648 [1.97]	679 [2.20]	710 [2.45]	741 [2.70]	771 [2.95]	802 [3.22]	832 [3.50]	862 [3.77]	892 [4.06]	921 [4.35]	950 [4.74]	975 [5.01]	1000 [5.28]	1025 [5.55]	1049 [5.81]	1079 [6.06]						
6800 [3209]	—	—	—	—	652 [2.03]	683 [2.27]	714 [2.51]	744 [2.76]	775 [3.02]	805 [3.29]	835 [3.56]	865 [3.85]	894 [4.14]	924 [4.43]	951 [4.80]	977 [5.08]	1002 [5.35]	1026 [5.63]	1050 [5.90]	1081 [6.17]						
6900 [3256]	—	—	—	—	656 [2.09]	686 [2.33]	717 [2.58]	748 [2.83]	778 [3.09]	808 [3.36]	838 [3.64]	867 [3.92]	897 [4.21]	926 [4.51]	953 [4.87]	978 [5.15]	1003 [5.43]	1028 [5.71]	1051 [5.99]	1082 [6.26]						
7000 [3303]	—	—	—	—	660 [2.15]	690 [2.40]	721 [2.64]	751 [2.90]	781 [3.16]	811 [3.44]	841 [3.71]	870 [4.00]	899 [4.29]	928 [4.59]	954 [4.95]	980 [5.23]	1005 [5.52]	1029 [5.80]	1053 [6.08]	1083 [6.34]						
7100 [3350]	—	—	—	633 [1.99]	663 [2.22]	694 [2.46]	724 [2.71]	754 [2.97]	784 [3.24]	814 [3.51]	843 [3.79]	873 [4.08]	902 [4.38]	930 [4.73]	956 [5.02]	981 [5.32]	1006 [5.60]	1030 [5.89]	1054 [6.18]	1084 [6.45]						
7200 [3398]	—	—	—	637 [2.05]	667 [2.29]	698 [2.53]	728 [2.79]	758 [3.05]	788 [3.31]	817 [3.59]	846 [3.87]	875 [4.16]	904 [4.46]	932 [4.81]	958 [5.11]	983 [5.40]	1008 [5.70]	1032 [5.99]	1056 [6.28]	1085 [6.54]						
7300 [3445]	—	—	—	641 [2.12]	671 [2.36]	701 [2.61]	731 [2.86]	761 [3.12]	791 [3.39]	820 [3.67]	849 [3.95]	878 [4.25]	907 [4.55]	934 [4.89]	960 [5.19]	985 [5.49]	1009 [5.79]	1033 [6.09]	1056 [6.38]	1087 [6.62]						
7400 [3492]	—	—	—	645 [2.19]	675 [2.43]	705 [2.68]	735 [2.94]	765 [3.20]	794 [3.47]	823 [3.75]	852 [4.04]	881 [4.33]	910 [4.63]	936 [4.98]	962 [5.29]	986 [5.59]	1011 [5.89]	1035 [6.19]	1058 [6.49]	1088 [6.71]						
7500 [3539]	—	—	—	649 [2.26]	679 [2.51]	709 [2.76]	739 [3.02]	768 [3.28]	797 [3.55]	826 [3.84]	855 [4.12]	884 [4.42]	912 [4.72]	938 [5.07]	963 [5.38]	988 [5.69]	1012 [6.00]	1036 [6.30]	1059 [6.61]	1089 [6.90]						
7600 [3586]	—	—	—	653 [2.34]	683 [2.58]	713 [2.83]	742 [3.10]	771 [3.36]	801 [3.64]	829 [3.92]	858 [4.21]	886 [4.51]	915 [4.81]	940 [5.17]	965 [5.48]	990 [5.80]	1014 [6.11]	1038 [6.42]	1061 [6.73]	1091 [7.00]						
7700 [3633]	—	—	—	657 [2.41]	687 [2.66]	717 [2.91]	746 [3.18]	775 [3.45]	804 [3.72]	832 [4.01]	861 [4.30]	889 [4.60]	917 [4.91]	942 [5.27]	967 [5.59]	992 [5.91]	1016 [6.22]	1039 [6.54]	1062 [6.85]	1092 [7.12]						
7800 [3681]	—	—	632 [2.25]	662 [2.49]	691 [2.74]	720 [3.00]	749 [3.26]	778 [3.53]	807 [3.81]	836 [4.10]	864 [4.39]	892 [4.69]	920 [5.00]	945 [5.37]	969 [5.70]	994 [6.02]	1018 [6.34]	1041 [6.66]	1064 [6.98]	1094 [7.25]						
7900 [3728]	—	—	636 [2.33]	666 [2.57]	695 [2.82]	724 [3.08]	753 [3.35]	782 [3.62]	810 [3.90]	839 [4.19]	867 [4.49]	895 [4.79]	922 [5.10]	947 [5.48]	972 [5.81]	996 [6.14]	1020 [6.46]	1043 [6.79]	1070 [7.10]	1095 [7.36]						
8000 [3775]	—	—	641 [2.41]	670 [2.65]	699 [2.90]	728 [3.17]	757 [3.43]	785 [3.71]	814 [3.99]	842 [4.28]	870 [4.58]	898 [4.89]	925 [5.20]	949 [5.59]	974 [5.93]	998 [6.26]	1022 [6.59]	1045 [6.92]	1072 [7.23]	1097 [7.48]						
8100 [3822]	—	—	645 [2.49]	674 [2.74]	703 [2.99]	732 [3.25]	760 [3.52]	789 [3.80]	817 [4.09]	845 [4.38]	873 [4.68]	900 [4.99]	928 [5.30]	951 [5.71]	976 [6.05]	1000 [6.38]	1023 [6.72]	1046 [7.05]	1074 [7.36]	1099 [7.62]						
8200 [3869]	—	—	—	—	649 [2.57]	677 [3.08]	736 [3.34]	764 [3.62]	792 [3.89]	820 [4.18]	848 [4.48]	876 [4.78]	903 [5.09]	929 [5.48]	954 [5.83]	978 [6.17]	1002 [6.51]	1026 [6.85]	1048 [7.19]	1076 [7.50]	1100 [7.80]					
8300 [3917]	—	—	—	—	654 [2.66]	682 [2.91]	711 [3.17]	739 [3.43]	768 [3.71]	796 [3.99]	824 [4.28]	851 [4.58]	879 [4.88]	906 [5.19]	931 [5.60]	956 [5.95]	981 [6.30]	1004 [6.65]	1028 [6.99]	1050 [7.34]	1077 [7.65]					
8400 [3964]	—	—	—	658 [2.74]	687 [3.00]	715 [3.26]	743 [3.53]	771 [3.80]	799 [4.09]	827 [4.38]	854 [4.68]	882 [4.98]	909 [5.30]	934 [5.73]	959 [6.08]	983 [6.44]	1007 [6.79]	1030 [7.14]	1052 [7.48]	1079 [7.79]	1104 [8.10]					
8500 [4011]	—	634 [2.59]	662 [2.83]	691 [3.09]	719 [3.35]	747 [3.62]	775 [3.90]	803 [4.19]	830 [4.48]	858 [4.78]	885 [5.09]	912 [5.40]	937 [5.86]	961 [6.22]	985 [6.58]	1009 [6.93]	1032 [7.29]	1054 [7.64]	1081 [7.93]	1106 [8.23]						
8600 [4058]	—	638 [2.67]	667 [2.93]	695 [3.18]	723 [3.45]	751 [3.72]	779 [4.00]	806 [4.29]	834 [4.58]	861 [4.89]	888 [5.20]	914 [5.51]	939 [5.99]	964 [6.36]	988 [6.72]	1011 [7.08]	1034 [7.44]	1056 [7.79]	1083 [8.14]	1108 [8.44]						
8700 [4105]	—	643 [2.77]	671 [3.02]	699 [3.28]	727 [3.55]	755 [3.82]	782 [4.10]	810 [4.39]	837 [4.69]	864 [4.99]	891 [5.31]	917 [5.62]	942 [6.13]	967 [6.50]	990 [6.87]	1014 [7.23]	1036 [7.59]	1059 [7.96]	1085 [8.26]	1109 [8.56]						
8800 [4153]	—	647 [2.86]	675 [3.11]	703 [3.38]	731 [3.64]	759 [3.92]	786 [4.21]	813 [4.50]	840 [4.80]	867 [5.10]	894 [5.42]	920 [5.74]	945 [6.27]	969 [6.65]	993 [7.02]	1016 [7.39]	1039 [7.76]	1061 [8.12]	1087 [8.43]	1111 [8.74]						
8900 [4200]	—	652 [2.96]	680 [3.21]	708 [3.48]	735 [3.75]	763 [4.02]	790 [4.31]	817 [4.60]	844 [4.91]	870 [5.21]	897 [5.53]	923 [5.85]	948 [6.42]	972 [6.80]	996 [7.17]	1019 [7.55]	1041 [7.92]	1063 [8.29]	1089 [8.60]	1113 [8.91]						
9000 [4247]	—	656 [3.05]	684 [3.31]	712 [3.58]	739 [3.85]	767 [4.13]	794 [4.42]	820 [4.71]	847 [5.02]	873 [5.33]	900 [5.64]	926 [5.97]	951 [6.57]	975 [6.95]	998 [7.33]	1021 [7.71]	1044 [8.09]	1067 [8.45]	1091 [8.76]	1115 [9.07]						
9100 [4294]	633 [2.90]	661 [3.15]	689 [3.41]	716 [3.68]	743 [3.95]	770 [4.24]	797 [4.53]	824 [4.82]	850 [5.13]	877 [5.44]	903 [5.76]	929 [6.09]	954 [6.73]	978 [7.11]	1001 [7.50]	1024 [7.88]	1046 [8.26]	1069 [8.62]	1093 [8.93]	1117 [9.24]						
9200 [4341]	638 [3.00]	665 [3.25]	693 [3.52]	720 [3.78]	747 [4.06]	774 [4.35]	801 [4.64]	827 [4.94]	854 [5.24]	880 [5.56]	906 [5.88]	932 [6.49]	957 [6.89]	981 [7.28]	1004 [7.67]	1026 [8.06]	1049 [8.44]	1072 [8.82]	1096 [9.13]	1119 [9.44]						
9300 [4388]	643 [3.10]	670 [3.36]	697 [3.62]	725 [3.89]	751 [4.17]	778 [4.46]	805 [4.75]	831 [5.05]	857 [5.36]	883 [5.68]	909 [6.00]	936 [6.65]	960 [7.05]	983 [7.45]	1007 [7.84]	1029 [8.23]	1051 [8.62]	1074 [8.99]	1098 [9.30]	1122 [9.61]						
9400 [4436]	647 [3.20]	675 [3.46]	702 [3.73]	729 [4.00]	756 [4.28]	782 [4.57]	808 [4.87]	835 [5.17]	861 [5.48]	886 [5.80]	912 [6.12]	939 [6.81]	963 [7.22]	987 [7.62]	1009 [8.02]	1032 [8.42]	1054 [8.81]	1076 [9.20]	1100 [9.51]	1124 [9.82]						
9500 [4483]	652 [3.31]	679 [3.57]	706 [3.84]	733 [4.11]	760 [4.39]	786 [4.68]	812 [4.98]	838 [5.29]	864 [5.60]	890 [5.92]	915 [6.25]	942 [6.98]	966 [7.39]	990 [7.80]	1012 [8.20]	1035 [8.60]	1057 [9.00]	1079 [9.37]	1102 [9.68]	1126 [9.99]						
9600 [4530]	657 [3.41]	684 [3.68]	711 [3.95]	737 [4.22]	764 [4.51]	790 [4.80]	816 [5.10]	842 [5.41]	867 [5.72]	893 [6.05]	918 [6.37]	946 [7.15]	969 [7.57]	993 [7.98]	1015 [8.39]	1038 [8.79]	1059 [9.20]	1081 [9.59]	1104 [9.90]	1128 [10.21]						

NOTE: F-Drive left of bold line, G-Drive right of bold line.

**AIRFLOW PERFORMANCE—20 TON [70.3 kW]—60 Hz—DOWNFLOW (Con't.)**

		F					G					H						
Drive Package		5 [3728.5]					5 [3728.5]					7.5 [5592.7]						
Motor H.P. [W]		1755					1755					1760						
Motor RPM		BK105					BK90					BK105						
Blower Sheave		184					184					213						
Motor Frame Size		1VP-56					1VP-56					1VP71						
Turns Open	0	1	2	3	4	5	6	0	1	2	3	4	5	6				
RPM	919	883	<b>847</b>	818	789	761	1035	998	961	<b>932</b>	903	874	1138	1107	1076	<b>1044</b>	1012	979

NOTES: 1. Factory sheave settings are shown in bold type.  
 2. Do not set motor sheave below minimum or maximum turns open shown.  
 3. Re-adjustment of sheave required to achieve rated airflow at AHRI minimum External Static Pressure.  
 4. Drive data shown is for horizontal airflow with dry coil. Add component resistance (below) to duct resistance to determine total External Static Pressure.  
 5. An RPM meter must be used to receive an accurate airflow reading.

[ ] Designates Metric Conversions



### COMPONENT AIRFLOW RESISTANCE—20 TON [70.3 kW]

CFM [L/s]	6400	6600	6800	7000	7200	7400	7600	7800	8000	8200	8400	8600	8800	9000	9200	9400	9600
	[3020]	[3114]	[3209]	[3303]	[3398]	[3492]	[3586]	[3681]	[3775]	[3869]	[3964]	[4058]	[4153]	[4247]	[4341]	[4436]	[4530]
Resistance—Inches of Water [kPa]																	
Wet Coil	0.08 [.02]	0.09 [.02]	0.09 [.02]	0.09 [.02]	0.09 [.02]	0.1 [.02]	0.1 [.02]	0.1 [.02]	0.1 [.02]	0.11 [.03]	0.11 [.03]	0.11 [.03]	0.11 [.03]	0.12 [.03]	0.12 [.03]	0.12 [.03]	0.12 [.03]
Downflow Economizer RA Damper Open	0.25 [0.11]	0.26 [0.12]	0.26 [0.12]	0.27 [0.12]	0.28 [0.13]	0.29 [0.13]	0.3 [0.14]	0.31 [0.14]	0.32 [0.15]	0.33 [0.15]	0.33 [0.15]	0.34 [0.16]	0.35 [0.16]	0.36 [0.16]	0.37 [0.17]	0.38 [0.17]	0.39 [0.18]
Horizontal Economizer RA Damper Open	0.09 [0.04]	0.09 [0.04]	0.09 [0.04]	0.09 [0.04]	0.09 [0.04]	0.09 [0.04]	0.1 [0.04]	0.1 [0.04]	0.1 [0.04]	0.1 [0.04]	0.1 [0.04]	0.1 [0.04]	0.1 [0.04]	0.11 [0.05]	0.11 [0.05]	0.11 [0.05]	0.11 [0.05]
MERV 8 Filter	0.107 [0.05]	0.111 [0.05]	0.116 [0.05]	0.12 [0.05]	0.124 [0.05]	0.128 [0.06]	0.132 [0.06]	0.136 [0.06]	0.14 [0.06]	0.144 [0.06]	0.148 [0.06]	0.152 [0.07]	0.156 [0.07]	0.16 [0.07]	0.164 [0.07]	0.169 [0.07]	0.173 [0.08]
MERV 13 Filter	0.070 [0.03]	0.076 [0.03]	0.082 [0.03]	0.089 [0.04]	0.095 [0.04]	0.101 [0.04]	0.107 [0.05]	0.114 [0.05]	0.12 [0.05]	0.126 [0.05]	0.133 [0.06]	0.139 [0.06]	0.145 [0.06]	0.151 [0.07]	0.158 [0.07]	0.164 [0.07]	0.17 [0.08]
Concentric Grill RXRN-AD86 & Transition RXMC-CK08	0.26 [.06]	0.29 [.07]	0.32 [.08]	0.35 [.09]	0.38 [.09]	0.41 [.10]	0.44 [.11]	0.47 [.12]	0.5 [.12]	0.53 [.13]	0.56 [.14]	0.6 [.15]	0.63 [.16]	0.66 [.16]	0.69 [.17]	0.72 [.18]	0.75 [.19]

### AIRFLOW CORRECTION FACTORS—20 TON [87.9 kW]

CFM [L/s]	6400	6600	7000	7200	7400	7600	7800	8000	8200	8400	8600	8800	9000	9200	9400	9600	
	[3020]	[3114]	[3209]	[3303]	[3398]	[3492]	[3586]	[3681]	[3775]	[3869]	[3964]	[4058]	[4153]	[4247]	[4341]	[4436]	[4530]
Resistance—Inches of Water [kPa]																	
Total MBH	0.98	0.98	0.99	1.00	1.00	0.96	0.97	0.97	0.98	0.98	0.98	0.99	0.99	0.99	1.00	1.00	1.00
Sensible MBH	0.91	0.93	0.95	0.97	1.01	1.03	1.05	1.07	1.09	1.11	1.13	1.15	1.17	1.19	1.21	1.23	1.23
Power kW	0.99	0.99	1.00	1.00	1.00	1.00	1.01	1.01	1.01	1.01	1.02	1.02	1.02	1.02	1.03	1.03	1.03

NOTE: Multiply correction factor times gross performance data—resulting sensible capacity cannot exceed total capacity.

[ ] Designates Metric Conversions



**AIRFLOW PERFORMANCE—25 TON [87.9 kW]—60 Hz—SIDEFLOW (Con't.)**

Drive Package	F						G						H																																									
	0	1	2	3	4	5	6	0	1	2	3	4	5	6	0	1	2	3	4	5	6																																	
Motor H.P. [W]	7.5 [5592.7]																		10 [7457.0]						10 [7457.0]																													
Motor RPM	1760																		1760						1760																													
Blower Sheave	BK110																		BK105						BK95																													
Motor Frame Size	213																		215						215																													
Motor Sheave	1VP-65																		1VP-71						1VP71																													
Turns Open	999																		965						935																													
RPM	1																		1143						1109						1079						1047						1015						985					

- NOTES: 1. Factory sheave settings are shown in bold type.  
 2. Do not set motor sheave below minimum or maximum turns open shown.  
 3. Re-adjustment of sheave required to achieve rated airflow at AHRI minimum External Static Pressure.  
 4. Drive data shown is for horizontal airflow with dry coil. Add component resistance (below) to duct resistance to determine total External Static Pressure.  
 5. An RPM meter must be used to receive an accurate airflow reading.

**[ ] Designates Metric Conversions**

AIRFLOW PERFORMANCE—25 TON [87.9 kW]—60 Hz—DOWNFLOW

Air Flow CFM [L/s]	Model RAC621300A Voltage 208/230, 460, 575 — 3 phase 60 Hz																																			
	External Static Pressure—Inches of Water [kPa]																																			
	0.1	0.2	0.3	0.4	0.5	0.6	0.7	0.8	0.9	1.0	1.1	1.2	1.3	1.4	1.5	1.6	1.7	1.8	1.9	2.0	2.1	2.2	2.3	2.4	2.5	2.6	2.7	2.8	2.9	3.0	3.1	3.2	3.3	3.4	3.5	
8000 [3775]	—	—	—	—	—	734	3.59	761	3.72	789	3.87	816	4.03	843	4.20	869	4.40	896	4.60	922	4.82	948	5.06	974	5.31	1000	5.58	1023	5.93	1048	6.18	1072	6.44	1097	6.71	1122
8100 [3822]	—	—	—	—	—	737	3.63	765	3.77	792	3.92	819	4.08	846	4.26	872	4.46	898	4.67	924	4.90	950	5.14	976	5.39	1002	5.67	1025	6.02	1049	6.27	1074	6.54	1099	6.81	1124
8200 [3869]	—	—	—	—	—	741	3.68	768	3.82	795	3.97	822	4.14	848	4.33	875	4.53	901	4.74	927	4.97	953	5.22	978	5.48	1003	5.76	1027	6.11	1051	6.37	1076	6.64	1100	6.91	1125
8300 [3917]	—	—	—	—	—	745	3.73	772	3.87	798	4.03	825	4.20	851	4.39	877	4.60	903	4.82	929	5.05	955	5.30	980	5.57	1005	5.95	1029	6.21	1053	6.47	1077	6.74	1102	7.02	1127
8400 [3964]	—	—	—	—	—	721	3.65	748	3.78	775	3.93	802	4.09	828	4.27	854	4.46	880	4.67	906	4.89	932	5.13	957	5.39	982	5.66	1007	6.05	1031	6.31	1055	6.57	1079	6.84	1104
8500 [4011]	—	—	—	—	—	725	3.70	752	3.83	779	3.99	805	4.15	831	4.34	857	4.53	883	4.75	909	4.98	934	5.22	958	5.48	984	5.75	1009	6.15	1033	6.41	1057	6.67	1081	6.95	1106
8600 [4058]	—	—	—	—	—	729	3.75	756	3.89	782	4.05	809	4.22	835	4.41	860	4.61	886	4.83	911	5.06	937	5.31	962	5.57	987	5.85	1011	6.25	1035	6.51	1059	6.78	1083	7.06	1109
8700 [4105]	—	—	—	—	—	733	3.81	760	3.96	786	4.12	812	4.29	838	4.48	864	4.69	889	4.91	914	5.15	939	5.40	964	5.67	989	5.95	1014	6.35	1037	6.62	1061	6.89	1085	7.17	1109
8800 [4153]	—	—	—	—	—	737	3.87	764	4.02	790	4.19	816	4.37	841	4.56	867	4.77	892	5.00	917	5.24	942	5.50	967	5.77	991	6.05	1016	6.46	1039	6.72	1063	7.00	1087	7.28	1111
8900 [4200]	—	—	—	—	—	741	3.94	768	4.09	793	4.26	819	4.44	845	4.64	870	4.86	895	5.09	920	5.33	945	5.60	969	5.87	994	6.16	1018	6.56	1041	6.83	1065	7.11	1089	7.40	1113
9000 [4247]	—	—	—	—	—	746	4.00	772	4.16	797	4.34	823	4.52	848	4.73	873	4.95	898	5.18	923	5.43	948	5.70	972	5.98	996	6.27	1020	6.67	1044	6.95	1067	7.23	1091	7.52	1115
9100 [4294]	—	—	—	—	—	724	3.93	750	4.07	776	4.24	801	4.42	827	4.61	852	4.82	877	5.04	901	5.28	926	5.53	950	5.80	975	6.09	999	6.39	1023	6.79	1046	7.06	1069	7.35	1093
9200 [4341]	—	—	—	—	—	728	4.00	754	4.15	780	4.32	805	4.50	830	4.70	855	4.91	880	5.14	905	5.38	929	5.64	953	5.91	977	6.20	1001	6.50	1025	6.90	1048	7.18	1072	7.47	1095
9300 [4388]	—	—	—	—	—	733	4.07	758	4.23	784	4.40	809	4.59	834	4.79	859	5.00	884	5.24	908	5.48	932	5.75	956	6.02	980	6.32	1004	6.62	1027	7.02	1051	7.30	1074	7.59	1098
9400 [4436]	—	—	—	—	—	737	4.15	763	4.31	788	4.48	813	4.67	838	4.88	863	5.10	887	5.34	911	5.59	935	5.86	959	6.14	983	6.44	1007	6.86	1030	7.14	1053	7.42	1076	7.72	1100
9500 [4483]	—	—	—	—	—	742	4.23	767	4.39	792	4.57	817	4.77	842	4.98	866	5.20	891	5.44	915	5.70	939	5.97	966	6.26	986	6.56	1010	6.98	1032	7.26	1055	7.55	1079	7.85	1102
9600 [4530]	—	—	—	—	—	722	4.16	747	4.31	772	4.48	797	4.66	821	4.86	846	5.08	870	5.31	894	5.55	918	5.81	942	6.09	965	6.38	989	6.69	1012	7.10	1035	7.38	1058	7.68	1081
9700 [4577]	—	—	—	—	—	726	4.24	752	4.40	776	4.57	801	4.76	826	4.96	850	5.18	874	5.42	898	5.67	922	5.93	945	6.21	969	6.51	992	6.82	1015	7.22	1038	7.51	1060	7.81	1107
9800 [4624]	—	—	—	—	—	731	4.33	756	4.49	781	4.67	806	4.86	830	5.07	854	5.29	878	5.53	902	5.78	925	6.05	949	6.33	972	6.63	995	6.95	1018	7.35	1040	7.64	1063	7.94	1086
9900 [4672]	—	—	—	—	—	736	4.41	761	4.58	786	4.76	810	4.96	834	5.17	858	5.40	882	5.64	906	5.90	929	6.17	952	6.46	975	6.77	998	7.08	1020	7.48	1043	7.77	1085	8.07	1088
10000 [4719]	—	—	—	—	—	741	4.51	766	4.68	790	4.86	815	5.07	839	5.28	862	5.51	886	5.76	909	6.02	933	6.30	956	6.59	978	6.90	1001	7.22	1023	7.61	1046	7.91	1088	8.21	1091
10100 [4766]	—	—	—	—	—	722	4.44	747	4.60	771	4.78	795	4.97	819	5.17	843	5.40	867	5.63	890	5.88	913	6.15	936	6.43	959	6.73	982	7.04	1004	7.45	1026	7.74	1048	8.04	1071
10200 [4813]	—	—	—	—	—	727	4.54	752	4.70	776	4.88	800	5.08	824	5.29	848	5.51	871	5.75	894	6.01	917	6.28	940	6.56	963	6.87	985	7.18	1007	7.58	1029	7.88	1051	8.18	1073
10300 [4860]	—	—	—	—	—	733	4.63	757	4.80	781	4.99	805	5.19	829	5.40	852	5.63	875	5.88	898	6.14	921	6.41	944	6.70	966	7.01	989	7.33	1010	7.72	1032	8.02	1054	8.32	1076
10400 [4908]	—	—	—	—	—	738	4.74	762	4.91	786	5.10	810	5.30	833	5.52	857	5.75	880	6.00	903	6.27	925	6.55	948	6.84	970	7.15	992	7.48	1013	7.86	1035	8.16	1057	8.47	1079
10500 [4955]	—	—	—	—	—	744	4.84	768	5.02	791	5.21	815	5.42	838	5.64	861	5.88	884	6.13	907	6.40	930	6.69	952	6.98	974	7.30	996	7.63	1016	8.00	1038	8.30	1060	8.61	1082
10600 [5002]	725	4.78	749	4.95	773	5.13	797	5.33	820	5.54	843	5.77	866	6.01	889	6.27	911	6.54	934	6.83	956	7.13	978	7.45	1000	7.78	1019	8.14	1041	8.45	1063	8.76	1085	9.08	1107	
10700 [5049]	731	4.89	755	5.06	779	5.25	802	5.45	825	5.66	848	5.90	871	6.14	893	6.38	909	6.67	928	6.96	942	7.26	952	7.56	982	7.86	1003	8.21	1044	8.60	1066	8.91	1088	9.24	1110	
10800 [5096]	737	5.00	761	5.17	784	5.37	807	5.57	830	5.79	853	6.03	876	6.28	898	6.54	920	6.83	942	7.12	964	7.43	986	7.76	1004	8.13	1025	8.43	1044	8.82	1068	9.07	1091	9.39	1113	
10900 [5143]	743	5.11	766	5.29	790	5.49	813	5.70	835	5.92	858	6.16	881	6.42	903	6.69	925	6.97	947	7.27	968	7.59	990	7.92	1007	8.28	1029	8.58	1050	8.90	1072	9.22	1094	9.55	1116	
11000 [5191]	749	5.23	772	5.41	795	5.61	818	5.83	841	6.06	863	6.30	885	6.56	908	6.84	929	7.13	951	7.43	972	7.75	994	8.09	1011	8.43	1032	8.74	1053	9.06	1075	9.38	1097	9.71	1119	
11100 [5238]	755	5.35	778	5.54	801	5.74	824	5.96	846	6.19	868	6.44	890	6.71	912	6.99	934	7.28	955	7.59	977	7.91	998	8.25	1014	8.58	1035	8.89	1056	9.21	1078	9.54	1100	9.88	1122	
11200 [5285]	761	5.47	784	5.67	807	5.87	829	6.10	852	6.33	874	6.59	895	6.86	917	7.14	939	7.44	960	7.75	981	8.08	1002	8.42	1018	8.73	1038	9.05	1060	9.37	1081	9.70	1103	10.04	1125	
11300 [5332]	767	5.60	790	5.80	813	6.01	835	6.24	857	6.48	879	6.74	901	7.01	922	7.30	943	7.60	965	7.92	985	8.25	1000	8.58	1021	8.89	1042	9.21	1063	9.54	1084	9.87	1106	10.21	1128	
11400 [5379]	774	5.73	796	5.93	818	6.15	841	6.38	862	6.63	884	6.89	906	7.16	927	7.46	948	7.76	969	8.09	842	1004	8.73	1024	9.05	1045	9.37	1066	9.70	1088	10.04	1109	10.38	1131	10.73	1142
11500 [5427]	780	5.86	802	6.07	824	6.29	846	6.53	868	6.78	890	7.04	911	7.32	932	7.62	953	7.93	974	8.26	994	8.60	1008	8.89	1028	9.21	1049	9.54	1070	9.87	1091	10.21	1112	10.56	1134	
11600 [5474]	786	6.00	808	6.21	830	6.44	852	6.68	874	6.93	895	7.20	916	7.49	937	7.79	958	8.10	979	8.43	999	8.78	1011	9.05	1032	9.37	1									

**AIRFLOW PERFORMANCE—25 TON [87.9 kW]—60 Hz—DOWNFLOW (Con't.)**

Drive Package	F						G						H											
	0	1	2	3	4	5	6	0	1	2	3	4	5	6	0	1	2	3	4	5	6			
Motor H.P. [W]	7.5 [5592.7]												10 [7457.0]						10 [7457.0]					
Motor RPM	1760												1760						1760					
Blower Sheave	BK110												BK105						BK95					
Motor Frame Size	213												215						215					
Motor Sheave	1VP-65												1VP-71						1VP71					
Turns Open	0	1	2	3	4	5	6	0	1	2	3	4	5	6	0	1	2	3	4	5	6			
RPM	—	995	962	929	892	855	818	—	1138	2214	1076	1044	1012	979	—	1227	1197	1167	1134	1101	1068			

- NOTES: 1. Factory sheave settings are shown in bold type.  
 2. Do not set motor sheave below minimum or maximum turns open shown.  
 3. Re-adjustment of sheave required to achieve rated airflow at AHRI minimum External Static Pressure.  
 4. Drive data shown is for horizontal airflow with dry coil. Add component resistance (below) to duct resistance to determine total External Static Pressure.  
 5. An RPM meter must be used to receive an accurate airflow reading.

**[ ] Designates Metric Conversions**

### COMPONENT AIRFLOW RESISTANCE—25 TON [87.9 kW]

CFM [L/s]	Resistance—Inches of Water										
	8000 [3775]	8400 [3964]	8800 [4153]	9200 [4341]	9600 [4530]	10000 [4719]	10400 [4908]	10800 [5096]	11200 [5285]	11600 [5474]	12000 [5663]
Wet Coil	0.10 [.03]	0.11 [.03]	0.11 [.03]	0.12 [.03]	0.12 [.03]	0.13 [.03]	0.14 [.03]	0.14 [.03]	0.15 [.04]	0.15 [.04]	0.16 [.04]
Downflow Economizer RA Damper Open	0.32 [0.15]	0.33 [0.15]	0.35 [0.16]	0.37 [0.17]	0.39 [0.18]	0.40 [0.18]	0.42 [0.19]	0.44 [0.20]	0.46 [0.21]	0.47 [0.22]	0.49 [0.23]
Horizontal Economizer RA Damper Open	0.1 [0.04]	0.1 [0.05]	0.1 [0.05]	0.11 [0.05]	0.11 [0.05]	0.11 [0.05]	0.12 [0.05]	0.12 [0.05]	0.12 [0.05]	0.13 [0.06]	0.13 [0.06]
MERV 8 Filter	0.14 [0.06]	0.148 [0.06]	0.156 [0.07]	0.164 [0.07]	0.173 [0.08]	0.181 [0.08]	0.189 [0.08]	0.197 [0.09]	0.205 [0.09]	0.213 [0.10]	0.221 [0.10]
MERV 13 Filter	0.12 [0.05]	0.133 [0.06]	0.145 [0.06]	0.158 [0.07]	0.17 [0.08]	0.183 [0.08]	0.196 [0.09]	0.208 [0.09]	0.221 [0.10]	0.233 [0.10]	0.246 [0.11]
Concentric Grill RXRM-AD88 & Transition RXMC-CL09	0.17 [.04]	0.23 [.06]	0.3 [.07]	0.36 [.09]	0.43 [.11]	0.5 [.12]	0.56 [.14]	0.63 [.16]	0.69 [.17]	0.76 [.19]	0.82 [.20]

### AIRFLOW CORRECTION FACTORS—25 TON [87.9 kW]

CFM [L/s]	Resistance—Inches of Water										
	8000 [3775]	8400 [3964]	8800 [4153]	9200 [4341]	9600 [4530]	10000 [4719]	10400 [4908]	10800 [5096]	11200 [5285]	11600 [5474]	12000 [5663]
Total MBH	0.99	1.00	1.01	1.02	1.03	1.04	1.05	1.06	1.07	1.08	1.09
Sensible MBH	0.97	1.00	1.03	1.06	1.09	1.12	1.15	1.18	1.21	1.24	1.27
Power kW	1.00	1.00	1.00	1.01	1.01	1.01	1.02	1.02	1.02	1.03	1.03

NOTE: Multiply correction factor times gross performance data—resulting sensible capacity cannot exceed total capacity.

[ ] Designates Metric Conversions

**ELECTRICAL DATA – RACG2T SERIES WITHOUT EXHAUST**

		180ACF	180ACG	180ACH	180ADF	180ADG	180ADH	180AYF	180AYG	180AYH
<b>Unit Information</b>	Unit Operating Voltage Range	187-253	187-253	187-253	414-506	414-506	414-506	517-633	517-633	517-633
	Volts	208/230	208/230	208/230	460	460	460	575	575	575
	Phase	3	3	3	3	3	3	3	3	3
	Hz	60	60	60	60	60	60	60	60	60
	Minimum Circuit Ampacity	74/74	79/79	80/80	38	40	40	28	30	30
	Minimum Overcurrent Protection Device Size	90/90	90/90	90/90	45	45	45	30	35	35
Maximum Overcurrent Protection Device Size	90/90	100/100	100/100	50	50	50	35	35	35	
<b>Compressor Motor</b>	No.	2	2	2	2	2	2	2	2	2
	Volts	200/230	200/230	200/230	460	460	460	575	575	575
	Phase	3	3	3	3	3	3	3	3	3
	RPM	3500	3500	3500	3500	3500	3500	3500	3500	3500
	HP, Compressor 1	6	6	6	6	6	6	6	6	6
	Amps (RLA), Comp. 1	25	25	25	12.8	12.8	12.8	9.6	9.6	9.6
	Amps (LRA), Comp. 1	164	164	164	100	100	100	78	78	78
	HP, Compressor 2	6	6	6	6	6	6	6	6	6
	Amps (RLA), Comp. 2	25	25	25	12.8	12.8	12.8	9.6	9.6	9.6
Amps (LRA), Comp. 2	164	164	164	100	100	100	78	78	78	
<b>Condenser Motor</b>	No.	2	2	2	2	2	2	2	2	2
	Volts	208/230	208/230	208/230	460	460	460	575	575	575
	Phase	1	1	1	1	1	1	1	1	1
	HP	3/4	3/4	3/4	3/4	3/4	3/4	3/4	3/4	3/4
	Amps (FLA, each)	4.2	4.2	4.2	2.3	2.3	2.3	1.2	1.2	1.2
	Amps (LRA, each)	10.1	10.1	10.1	4.9	4.9	4.9	3.4	3.4	3.4
<b>Evaporator Fan</b>	No.	1	1	1	1	1	1	1	1	1
	Volts	208/230	208/230	208/230	460	460	460	575	575	575
	Phase	3	3	3	3	3	3	3	3	3
	HP	3	5	5	3	5	5	3	5	5
	Amps (FLA, each)	9.2	13.6	13.6	4.6	6.3	6.3	3.5	5.1	5.1
	Amps (LRA, each)	74.5	95.0	95.0	38.1	47.5	47.5	30.0	38.0	38.0

**ELECTRICAL DATA – RACG2T SERIES WITH EXHAUST**

		180ACF	180ACG	180ACH	180ADF	180ADG	180ADH	180AYF	180AYG	180AYH
<b>Unit Information</b>	Unit Operating Voltage Range	187-253	187-253	187-253	414-506	414-506	414-506	517-633	517-633	517-633
	Volts	208/230	208/230	208/230	460	460	460	575	575	575
	Phase	3	3	3	3	3	3	3	3	3
	Hz	60	60	60	60	60	60	60	60	60
	Minimum Circuit Ampacity	79/79	83/83	85/85	40	42	42	30	31	31
	Minimum Overcurrent Protection Device Size	90/90	90/90	100/100	45	45	45	35	35	35
	Maximum Overcurrent Protection Device Size	100/100	100/100	100/100	50	50	50	35	40	40
<b>Compressor Motor</b>	No.	2	2	2	2	2	2	2	2	2
	Volts	200/230	200/230	200/230	460	460	460	575	575	575
	Phase	3	3	3	3	3	3	3	3	3
	RPM	3500	3500	3500	3500	3500	3500	3500	3500	3500
	HP, Compressor 1	6	6	6	6	6	6	6	6	6
	Amps (RLA), Comp. 1	25	25	25	12.8	12.8	12.8	9.6	9.6	9.6
	Amps (LRA), Comp. 1	164	164	164	100	100	100	78	78	78
	HP, Compressor 2	6	6	6	6	6	6	6	6	6
	Amps (RLA), Comp. 2	25	25	25	12.8	12.8	12.8	9.6	9.6	9.6
	Amps (LRA), Comp. 2	164	164	164	100	100	100	78	78	78
<b>Condenser Motor</b>	No.	2	2	2	2	2	2	2	2	2
	Volts	208/230	208/230	208/230	460	460	460	575	575	575
	Phase	1	1	1	1	1	1	1	1	1
	HP	3/4	3/4	3/4	3/4	3/4	3/4	3/4	3/4	3/4
	Amps (FLA, each)	4.2	4.2	4.2	2.3	2.3	2.3	1.2	1.2	1.2
	Amps (LRA, each)	10.1	10.1	10.1	4.9	4.9	4.9	3.4	3.4	3.4
<b>Evaporator Fan</b>	No.	1	1	1	1	1	1	1	1	1
	Volts	208/230	208/230	208/230	460	460	460	575	575	575
	Phase	3	3	3	3	3	3	3	3	3
	HP	3	5	5	3	5	5	3	5	5
	Amps (FLA, each)	9.2	13.6	13.6	4.6	6.3	6.3	3.5	5.1	5.1
	Amps (LRA, each)	74.5	95.0	95.0	38.1	47.5	47.5	30.0	38.0	38.0



**ELECTRICAL DATA – RACG2T SERIES WITHOUT EXHAUST**

		210ACF	210ACG	210ACH	210ADF	210ADG	210ADH	210AYF	210AYG	210AYH
<b>Unit Information</b>	Unit Operating Voltage Range	187-253	187-253	187-253	414-506	414-506	414-506	517-633	517-633	517-633
	Volts	208/230	208/230	208/230	460	460	460	575	575	575
	Phase	3	3	3	3	3	3	3	3	3
	Hz	60	60	60	60	60	60	60	60	60
	Minimum Circuit Ampacity	83/83	87/87	95/95	39	41	44	30	32	34
	Minimum Overcurrent Protection Device Size	90/90	100/100	110/110	45	45	50	35	35	40
	Maximum Overcurrent Protection Device Size	100/100	110/110	110/110	50	50	50	35	40	40
<b>Compressor Motor</b>	No.	2	2	2	2	2	2	2	2	2
	Volts	200/230	200/230	200/230	460	460	460	575	575	575
	Phase	3	3	3	3	3	3	3	3	3
	RPM	3500	3500	3500	3500	3500	3500	3500	3500	3500
	HP, Compressor 1	7 1/2	7 1/2	7 1/2	7 1/2	7 1/2	7 1/2	7 1/2	7 1/2	7 1/2
	Amps (RLA), Comp. 1	27.6	27.6	27.6	12.8	12.8	12.8	9.6	9.6	9.6
	Amps (LRA), Comp. 1	191	191	191	100	100	100	78	78	78
	HP, Compressor 2	7 1/2	7 1/2	7 1/2	7 1/2	7 1/2	7 1/2	7 1/2	7 1/2	7 1/2
	Amps (RLA), Comp. 2	27.6	27.6	27.6	12.8	12.8	12.8	9.6	9.6	9.6
	Amps (LRA), Comp. 2	191	191	191	100	100	100	78	78	78
<b>Condenser Motor</b>	No.	2	2	2	2	2	2	2	2	2
	Volts	208/230	208/230	208/230	460	460	460	575	575	575
	Phase	3	3	3	3	3	3	3	3	3
	HP	1 1/2	1 1/2	1 1/2	1 1/2	1 1/2	1 1/2	1 1/2	1 1/2	1 1/2
	Amps (FLA, each)	5.5	5.5	5.5	2.7	2.7	2.7	2.2	2.2	2.2
	Amps (LRA, each)	28.6	28.6	28.6	14.3	14.3	14.3	11	11	11
<b>Evaporator Fan</b>	No.	1	1	1	1	1	1	1	1	1
	Volts	208/230	208/230	208/230	460	460	460	575	575	575
	Phase	3	3	3	3	3	3	3	3	3
	HP	3	5	7.5	3	5	7.5	3	5	7.5
	Amps (FLA, each)	9.2	13.6	21	4.6	6.3	9.6	3.5	5.1	7.7
	Amps (LRA, each)	74.5	95	127	38.1	47.5	63.5	30.0	38.0	50.8

**ELECTRICAL DATA – RACG2T SERIES WITH EXHAUST**

		210ACF	210ACG	210ACH	210ADF	210ADG	210ADH	210AYF	210AYG	210AYH
<b>Unit Information</b>	Unit Operating Voltage Range	187-253	187-253	187-253	414-506	414-506	414-506	517-633	517-633	517-633
	Volts	208/230	208/230	208/230	460	460	460	575	575	575
	Phase	3	3	3	3	3	3	3	3	3
	Hz	60	60	60	60	60	60	60	60	60
	Minimum Circuit Ampacity	87/87	92/92	99/99	41	43	46	32	33	36
	Minimum Overcurrent Protection Device Size	100/100	100/100	110/110	45	50	50	35	40	40
	Maximum Overcurrent Protection Device Size	110/110	110/110	125/125	50	50	50	40	40	45
<b>Compressor Motor</b>	No.	2	2	2	2	2	2	2	2	2
	Volts	200/230	200/230	200/230	460	460	460	575	575	575
	Phase	3	3	3	3	3	3	3	3	3
	RPM	3500	3500	3500	3500	3500	3500	3500	3500	3500
	HP, Compressor 1	7 1/2	7 1/2	7 1/2	7 1/2	7 1/2	7 1/2	7 1/2	7 1/2	7 1/2
	Amps (RLA), Comp. 1	27.6	27.6	27.6	12.8	12.8	12.8	9.6	9.6	9.6
	Amps (LRA), Comp. 1	191	191	191	100	100	100	78	78	78
	HP, Compressor 2	7 1/2	7 1/2	7 1/2	7 1/2	7 1/2	7 1/2	7 1/2	7 1/2	7 1/2
	Amps (RLA), Comp. 2	27.6	27.6	27.6	12.8	12.8	12.8	9.6	9.6	9.6
Amps (LRA), Comp. 2	191	191	191	100	100	100	78	78	78	
<b>Condenser Motor</b>	No.	2	2	2	2	2	2	2	2	2
	Volts	208/230	208/230	208/230	460	460	460	575	575	575
	Phase	3	3	3	3	3	3	3	3	3
	HP	1 1/2	1 1/2	1 1/2	1 1/2	1 1/2	1 1/2	1 1/2	1 1/2	1 1/2
	Amps (FLA, each)	5.5	5.5	5.5	2.7	2.7	2.7	2.2	2.2	2.2
	Amps (LRA, each)	28.6	28.6	28.6	14.3	14.3	14.3	11	11	11
<b>Evaporator Fan</b>	No.	1	1	1	1	1	1	1	1	1
	Volts	208/230	208/230	208/230	460	460	460	575	575	575
	Phase	3	3	3	3	3	3	3	3	3
	HP	3	5	7.5	3	5	7.5	3	5	7.5
	Amps (FLA, each)	9.2	13.6	21	4.6	6.3	9.6	3.5	5.1	7.7
	Amps (LRA, each)	74.5	95	127	38.1	47.5	63.5	30.0	38.0	50.8

**ELECTRICAL DATA – RACG2T SERIES WITHOUT EXHAUST**

		240ACF	240ACG	240ACH	240ADF	240ADG	240ADH	240AYF	240AYG	240AYH
<b>Unit Information</b>	Unit Operating Voltage Range	187-253	187-253	187-253	414-506	414-506	414-506	517-633	517-633	517-633
	Volts	208/230	208/230	208/230	460	460	460	575	575	575
	Phase	3	3	3	3	3	3	3	3	3
	Hz	60	60	60	60	60	60	60	60	60
	Minimum Circuit Ampacity	89/89	89/89	96/96	45	45	49	35	35	38
	Minimum Overcurrent Protection Device Size	100/100	100/100	110/110	50	50	60	40	40	45
	Maximum Overcurrent Protection Device Size	110/110	110/110	110/110	60	60	60	45	45	50
<b>Compressor Motor</b>	No.	2	2	2	2	2	2	2	2	2
	Volts	200/230	200/230	200/230	460	460	460	575	575	575
	Phase	3	3	3	3	3	3	3	3	3
	RPM	3500	3500	3500	3500	3500	3500	3500	3500	3500
	HP, Compressor 1	10	10	10	10	10	10	10	10	10
	Amps (RLA), Comp. 1	28.2	28.2	28.2	14.7	14.7	14.7	11.3	11.3	11.3
	Amps (LRA), Comp. 1	240	240	240	130	130	130	93.7	93.7	93.7
	HP, Compressor 2	10	10	10	10	10	10	10	10	10
	Amps (RLA), Comp. 2	28.2	28.2	28.2	14.7	14.7	14.7	11.3	11.3	11.3
	Amps (LRA), Comp. 2	240	240	240	130	130	130	93.7	93.7	93.7
<b>Condenser Motor</b>	No.	2	2	2	2	2	2	2	2	2
	Volts	208/230	208/230	208/230	460	460	460	575	575	575
	Phase	3	3	3	3	3	3	3	3	3
	HP	1 1/2	1 1/2	1 1/2	1 1/2	1 1/2	1 1/2	1 1/2	1 1/2	1 1/2
	Amps (FLA, each)	5.5	5.5	5.5	2.7	2.7	2.7	2.2	2.2	2.2
	Amps (LRA, each)	28.6	28.6	28.6	14.3	14.3	14.3	11	11	11
<b>Evaporator Fan</b>	No.	1	1	1	1	1	1	1	1	1
	Volts	208/230	208/230	208/230	460	460	460	575	575	575
	Phase	3	3	3	3	3	3	3	3	3
	HP	5	5	7.5	5	5	7.5	5	5	7.5
	Amps (FLA, each)	13.6	13.6	21	6.3	6.3	9.6	5.1	5.1	7.7
	Amps (LRA, each)	95	95	127	47.5	47.5	63.5	38.0	38.0	50.8

**ELECTRICAL DATA – RACG2T SERIES WITH EXHAUST**

		240ACF	240ACG	240ACH	240ADF	240ADG	240ADH	240AYF	240AYG	240AYH
<b>Unit Information</b>	Unit Operating Voltage Range	187-253	187-253	187-253	414-506	414-506	414-506	517-633	517-633	517-633
	Volts	208/230	208/230	208/230	460	460	460	575	575	575
	Phase	3	3	3	3	3	3	3	3	3
	Hz	60	60	60	60	60	60	60	60	60
	Minimum Circuit Ampacity	93/93	93/93	101/101	47	47	50	37	37	40
	Minimum Overcurrent Protection Device Size	100/100	100/100	110/110	50	50	60	40	40	45
	Maximum Overcurrent Protection Device Size	110/110	110/110	125/125	60	60	60	45	45	50
<b>Compressor Motor</b>	No.	2	2	2	2	2	2	2	2	2
	Volts	200/230	200/230	200/230	460	460	460	575	575	575
	Phase	3	3	3	3	3	3	3	3	3
	RPM	3500	3500	3500	3500	3500	3500	3500	3500	3500
	HP, Compressor 1	10	10	10	10	10	10	10	10	10
	Amps (RLA), Comp. 1	28.2	28.2	28.2	14.7	14.7	14.7	11.3	11.3	11.3
	Amps (LRA), Comp. 1	240	240	240	130	130	130	93.7	93.7	93.7
	HP, Compressor 2	10	10	10	10	10	10	10	10	10
	Amps (RLA), Comp. 2	28.2	28.2	28.2	14.7	14.7	14.7	11.3	11.3	11.3
	Amps (LRA), Comp. 2	240	240	240	130	130	130	93.7	93.7	93.7
<b>Condenser Motor</b>	No.	2	2	2	2	2	2	2	2	2
	Volts	208/230	208/230	208/230	460	460	460	575	575	575
	Phase	3	3	3	3	3	3	3	3	3
	HP	1 1/2	1 1/2	1 1/2	1 1/2	1 1/2	1 1/2	1 1/2	1 1/2	1 1/2
	Amps (FLA, each)	5.5	5.5	5.5	2.7	2.7	2.7	2.2	2.2	2.2
	Amps (LRA, each)	28.6	28.6	28.6	14.3	14.3	14.3	11	11	11
<b>Evaporator Fan</b>	No.	1	1	1	1	1	1	1	1	1
	Volts	208/230	208/230	208/230	460	460	460	575	575	575
	Phase	3	3	3	3	3	3	3	3	3
	HP	5	5	7.5	5	5	7.5	5	5	7.5
	Amps (FLA, each)	13.6	13.6	21	6.3	6.3	9.6	5.1	5.1	7.7
	Amps (LRA, each)	95	95	127	47.5	47.5	63.5	38.0	38.0	50.8

**ELECTRICAL DATA – RACG2T SERIES WITHOUT EXHAUST**

		300ACF	300ACG	300ACH	300ADF	300ADG	300ADH	300AYF	300AYG	300AYH
<b>Unit Information</b>	Unit Operating Voltage Range	187-253	187-253	187-253	414-506	414-506	414-506	517-633	517-633	517-633
	Volts	208/230	208/230	208/230	460	460	460	575	575	575
	Phase	3	3	3	3	3	3	3	3	3
	Hz	60	60	60	60	60	60	60	60	60
	Minimum Circuit Ampacity	141/141	147/147	147/147	57	60	60	46	48	48
	Minimum Overcurrent Protection Device Size	175/175	175/175	175/175	70	70	70	60	60	60
	Maximum Overcurrent Protection Device Size	175/175	175/175	175/175	70	70	70	60	60	60
<b>Compressor Motor</b>	No.	2	2	2	2	2	2	2	2	2
	Volts	200/230	200/230	200/230	460	460	460	575	575	575
	Phase	3	3	3	3	3	3	3	3	3
	RPM	3500	3500	3500	3500	3500	3500	3500	3500	3500
	HP, Compressor 1	11 1/2	11 1/2	11 1/2	11 1/2	11 1/2	11 1/2	11 1/2	11 1/2	11 1/2
	Amps (RLA), Comp. 1	48.1	48.1	48.1	18.6	18.6	18.6	14.7	14.7	14.7
	Amps (LRA), Comp. 1	245	245	245	125	125	125	100	100	100
	HP, Compressor 2	11 1/2	11 1/2	11 1/2	11 1/2	11 1/2	11 1/2	11 1/2	11 1/2	11 1/2
	Amps (RLA), Comp. 2	48.1	48.1	48.1	18.6	18.6	18.6	14.7	14.7	14.7
Amps (LRA), Comp. 2	245	245	245	125	125	125	100	100	100	
<b>Condenser Motor</b>	No.	2	2	2	2	2	2	2	2	2
	Volts	208/230	208/230	208/230	460	460	460	575	575	575
	Phase	3	3	3	3	3	3	3	3	3
	HP	1 1/2	1 1/2	1 1/2	1 1/2	1 1/2	1 1/2	1 1/2	1 1/2	1 1/2
	Amps (FLA, each)	5.5	5.5	5.5	2.7	2.7	2.7	2.2	2.2	2.2
	Amps (LRA, each)	28.6	28.6	28.6	14.3	14.3	14.3	11	11	11
<b>Evaporator Fan</b>	No.	1	1	1	1	1	1	1	1	1
	Volts	208/230	208/230	208/230	460	460	460	575	575	575
	Phase	3	3	3	3	3	3	3	3	3
	HP	7.5	10	10	7.5	10	10	7.5	10	10
	Amps (FLA, each)	21	27	27	9.6	12.5	12.5	7.7	10	10
	Amps (LRA, each)	127	152	152	63.5	76	76	50.8	60.8	60.8

**ELECTRICAL DATA – RACG2T SERIES WITH EXHAUST**

		<b>300ACF</b>	<b>300ACG</b>	<b>300ACH</b>	<b>300ADF</b>	<b>300ADG</b>	<b>300ADH</b>	<b>300AYF</b>	<b>300AYG</b>	<b>300AYH</b>
<b>Unit Information</b>	Unit Operating Voltage Range	187-253	187-253	187-253	414-506	414-506	414-506	517-633	517-633	517-633
	Volts	208/230	208/230	208/230	460	460	460	575	575	575
	Phase	3	3	3	3	3	3	3	3	3
	Hz	60	60	60	60	60	60	60	60	60
	Minimum Circuit Ampacity	145/145	151/151	152/152	59	62	62	48	50	50
	Minimum Overcurrent Protection Device Size	175/175	175/175	175/175	70	70	70	60	60	60
	Maximum Overcurrent Protection Device Size	175/175	175/175	175/175	70	70	70	60	60	60
<b>Compressor Motor</b>	No.	2	2	2	2	2	2	2	2	2
	Volts	200/230	200/230	200/230	460	460	460	575	575	575
	Phase	3	3	3	3	3	3	3	3	3
	RPM	3500	3500	3500	3500	3500	3500	3500	3500	3500
	HP, Compressor 1	11 1/2	11 1/2	11 1/2	11 1/2	11 1/2	11 1/2	11 1/2	11 1/2	11 1/2
	Amps (RLA), Comp. 1	48.1	48.1	48.1	18.6	18.6	18.6	14.7	14.7	14.7
	Amps (LRA), Comp. 1	245	245	245	125	125	125	100	100	100
	HP, Compressor 2	11 1/2	11 1/2	11 1/2	11 1/2	11 1/2	11 1/2	11 1/2	11 1/2	11 1/2
	Amps (RLA), Comp. 2	48.1	48.1	48.1	18.6	18.6	18.6	14.7	14.7	14.7
	Amps (LRA), Comp. 2	245	245	245	125	125	125	100	100	100
<b>Condenser Motor</b>	No.	2	2	2	2	2	2	2	2	2
	Volts	208/230	208/230	208/230	460	460	460	575	575	575
	Phase	3	3	3	3	3	3	3	3	3
	HP	1 1/2	1 1/2	1 1/2	1 1/2	1 1/2	1 1/2	1 1/2	1 1/2	1 1/2
	Amps (FLA, each)	5.5	5.5	5.5	2.7	2.7	2.7	2.2	2.2	2.2
	Amps (LRA, each)	28.6	28.6	28.6	14.3	14.3	14.3	11	11	11
<b>Evaporator Fan</b>	No.	1	1	1	1	1	1	1	1	1
	Volts	208/230	208/230	208/230	460	460	460	575	575	575
	Phase	3	3	3	3	3	3	3	3	3
	HP	7.5	10	10	7.5	10	10	7.5	10	10
	Amps (FLA, each)	21	27	27	9.6	12.5	12.5	7.7	10	10
	Amps (LRA, each)	127	152	152	63.5	76	76	50.8	60.8	60.8



**ELECTRIC HEATER KITS WITHOUT POWERED EXHAUST - RACG2T180**

<b>208/230V, THREE PHASE, 60 HZ, AUXILARY ELECTRIC HEATER KIT CHARACTERISTICS AND APPLICATION</b>									
<b>Single Power Supply For Both Unit and Heater Kit</b>					<b>Separate Power Supply For Both Unit and Heater Kit</b>				
<b>Unit Model Number</b>	<b>Heater Kit</b>			<b>Air Conditioner (Including Heater Kits)</b>		<b>Heater Kit</b>		<b>Air Conditioner</b>	
	<b>Model No. RXJJ-</b>	<b>Rated Heater kW @ 208/230</b>	<b>FLA</b>	<b>Unit Min. Ckt. Ampacity</b>	<b>Max. Fuse Or Ckt. Bkr. Size (Ckt. Bkr. Must Be HACR Type For USA)</b>	<b>Min. Ckt. Ampacity</b>	<b>Max. Fuse Or Ckt. Bkr. Size (Ckt. Bkr. Must Be HACR Type For USA)</b>	<b>Min. Ckt. Ampacity</b>	<b>Max. Fuse Or Ckt. Bkr. Size (Ckt. Bkr. Must Be HACR Type For USA)</b>
(-)ACG2T180ACF	NONE*	—/—	—/—	74/74	90/90	—	—	74/74	90/90
	G18KWC	13.5/18.0	37.5/43.3	74/74	90/90	47/55	50/60	74/74	90/90
	G36KWC	27.0/36.0	75.0/86.6	106/120	110/125	94/109	100/110	74/74	90/90
	G54KWC	40.6/54.0	112.6/129.9	153/174	175/175	141/163	150/175	74/74	90/90
(-)ACG2T180ACG	NONE*	—/—	—/—	79/79	100/100	—	—	79/79	100/100
	G18KWC	13.5/18.0	37.5/43.3	79/79	100/100	47/55	50/60	79/79	100/100
	G36KWC	27.0/36.0	75.0/86.6	111/126	125/150	94/109	100/110	79/79	100/100
	G54KWC	40.6/54.0	112.6/129.9	158/180	175/200	141/163	150/175	79/79	100/100
(-)ACG2T180ACH	NONE*	—/—	—/—	80/80	100/100	—	—	80/80	100/100
	G18KWC	13.5/18.0	37.5/43.3	80/80	100/100	47/55	50/60	80/80	100/100
	G36KWC	27.0/36.0	75.0/86.6	113/128	125/150	94/109	100/110	80/80	100/100
	G54KWC	40.6/54.0	112.6/129.9	160/182	175/200	141/163	150/175	80/80	100/100

<b>460V, THREE PHASE, 60 HZ, AUXILARY ELECTRIC HEATER KIT CHARACTERISTICS AND APPLICATION</b>									
<b>Single Power Supply For Both Unit and Heater Kit</b>					<b>Separate Power Supply For Both Unit and Heater Kit</b>				
<b>Unit Model Number</b>	<b>Heater Kit</b>			<b>Air Conditioner (Including Heater Kits)</b>		<b>Heater Kit</b>		<b>Air Conditioner</b>	
	<b>Model No. RXJJ-</b>	<b>Rated Heater kW @ 460</b>	<b>FLA</b>	<b>Unit Min. Ckt. Ampacity</b>	<b>Max. Fuse Or Ckt. Bkr. Size (Ckt. Bkr. Must Be HACR Type For USA)</b>	<b>Min. Ckt. Ampacity</b>	<b>Max. Fuse Or Ckt. Bkr. Size (Ckt. Bkr. Must Be HACR Type For USA)</b>	<b>Min. Ckt. Ampacity</b>	<b>Max. Fuse Or Ckt. Bkr. Size (Ckt. Bkr. Must Be HACR Type For USA)</b>
(-)ACG2T180ADF	NONE*	—	—	38	50	—	—	38	50
	G18KWD	18	21.7	38	50	28	30	38	50
	G36KWD	36	43.3	60	60	55	60	38	50
	G54KWD	54	64.9	87	90	82	90	38	50
(-)ACG2T180ADG	NONE*	—	—	40	50	—	—	40	50
	G18KWD	18	21.7	40	50	28	30	40	50
	G36KWD	36	43.3	62	70	55	60	40	50
	G54KWD	54	64.9	89	90	82	90	40	50
(-)ACG2T180ADH	NONE*	—	—	40	50	—	—	40	50
	G18KWD	18	21.7	40	50	28	30	40	50
	G36KWD	36	43.3	62	70	55	60	40	50
	G54KWD	54	64.9	89	90	82	90	40	50

**ELECTRIC HEATER KITS WITHOUT POWERED EXHAUST - RACG2T180 (Con't.)**

<b>575V, THREE PHASE, 60 HZ, AUXILARY ELECTRIC HEATER KIT CHARACTERISTICS AND APPLICATION</b>									
<b>Single Power Supply For Both Unit and Heater Kit</b>					<b>Separate Power Supply For Both Unit and Heater Kit</b>				
<b>Unit Model Number</b>	<b>Heater Kit</b>			<b>Air Conditioner (Including Heater Kits)</b>		<b>Heater Kit</b>		<b>Air Conditioner</b>	
	<b>Model No. RXJJ-</b>	<b>Rated Heater kW @ 575</b>	<b>FLA</b>	<b>Unit Min. Ckt. Ampacity</b>	<b>Max. Fuse Or Ckt. Bkr. Size (Ckt. Bkr. Must Be HACR Type For USA)</b>	<b>Min. Ckt. Ampacity</b>	<b>Max. Fuse Or Ckt. Bkr. Size (Ckt. Bkr. Must Be HACR Type For USA)</b>	<b>Min. Ckt. Ampacity</b>	<b>Max. Fuse Or Ckt. Bkr. Size (Ckt. Bkr. Must Be HACR Type For USA)</b>
(-)ACG2T180AYF	NONE*	—	—	28	35	—	—	28	35
	G18KWY	18	17.3	28	35	22	25	28	35
	G36KWY	36	34.6	48	50	44	45	28	35
	G54KWY	54	52	70	70	65	70	28	35
(-)ACG2T180AYG	NONE*	—	—	30	35	—	—	30	35
	G18KWY	18	17.3	30	35	22	25	30	35
	G36KWY	36	34.6	50	50	44	45	30	35
	G54KWY	54	52	72	80	65	70	30	35
(-)ACG2T180AYH	NONE*	—	—	30	35	—	—	30	35
	G18KWY	18	17.3	30	35	22	25	30	35
	G36KWY	36	34.6	50	50	44	45	30	35
	G54KWY	54	52	72	80	65	70	30	35

## ELECTRIC HEATER KITS WITH POWERED EXHAUST - RACG2T180

208/230V, THREE PHASE, 60 HZ, AUXILARY ELECTRIC HEATER KIT CHARACTERISTICS AND APPLICATION									
Single Power Supply For Both Unit and Heater Kit					Separate Power Supply For Both Unit and Heater Kit				
Unit Model Number	Heater Kit			Air Conditioner (Including Heater Kits)		Heater Kit		Air Conditioner	
	Model No. RXJJ-	Rated Heater kW @ 208/230	FLA	Unit Min. Ckt. Ampacity	Max. Fuse Or Ckt. Bkr. Size (Ckt. Bkr. Must Be HACR Type For USA)	Min. Ckt. Ampacity	Max. Fuse Or Ckt. Bkr. Size (Ckt. Bkr. Must Be HACR Type For USA)	Min. Ckt. Ampacity	Max. Fuse Or Ckt. Bkr. Size (Ckt. Bkr. Must Be HACR Type For USA)
(-)ACG2T180ACF	NONE*	—/—	—/—	79/79	100/100	—	—	79/79	100/100
	G18KWC	13.5/18.0	37.5/43.3	79/79	100/100	47/55	50/60	79/79	100/100
	G36KWC	27.0/36.0	75.0/86.6	110/126	125/150	94/109	100/110	79/79	100/100
	G54KWC	40.6/54.0	112.6/129.9	157/180	175/200	141/163	150/175	79/79	100/100
(-)ACG2T180ACG	NONE*	—/—	—/—	83/83	100/100	—	—	83/83	100/100
	G18KWC	13.5/18.0	37.5/43.3	83/83	100/100	47/55	50/60	83/83	100/100
	G36KWC	27.0/36.0	75.0/86.6	116/132	125/150	94/109	100/110	83/83	100/100
	G54KWC	40.6/54.0	112.6/129.9	163/186	175/200	141/163	150/175	83/83	100/100
(-)ACG2T180ACH	NONE*	—/—	—/—	85/85	100/100	—	—	85/85	100/100
	G18KWC	13.5/18.0	37.5/43.3	85/85	100/100	47/55	50/60	85/85	100/100
	G36KWC	27.0/36.0	75.0/86.6	118/134	125/150	94/109	100/110	85/85	100/100
	G54KWC	40.6/54.0	112.6/129.9	165/188	175/200	141/163	150/175	85/85	100/100

460V, THREE PHASE, 60 HZ, AUXILARY ELECTRIC HEATER KIT CHARACTERISTICS AND APPLICATION									
Single Power Supply For Both Unit and Heater Kit					Separate Power Supply For Both Unit and Heater Kit				
Unit Model Number	Heater Kit			Air Conditioner (Including Heater Kits)		Heater Kit		Air Conditioner	
	Model No. RXJJ-	Rated Heater kW @ 460	FLA	Unit Min. Ckt. Ampacity	Max. Fuse Or Ckt. Bkr. Size (Ckt. Bkr. Must Be HACR Type For USA)	Min. Ckt. Ampacity	Max. Fuse Or Ckt. Bkr. Size (Ckt. Bkr. Must Be HACR Type For USA)	Min. Ckt. Ampacity	Max. Fuse Or Ckt. Bkr. Size (Ckt. Bkr. Must Be HACR Type For USA)
(-)ACG2T180ADF	NONE*	—	—	40	50	—	—	40	50
	G18KWD	18	21.7	40	50	28	30	40	50
	G36KWD	36	43.3	62	70	55	60	40	50
	G54KWD	54	64.9	89	90	82	90	40	50
(-)ACG2T180ADG	NONE*	—	—	42	50	—	—	42	50
	G18KWD	18	21.7	42	50	28	30	42	50
	G36KWD	36	43.3	64	70	55	60	42	50
	G54KWD	54	64.9	91	100	82	90	42	50
(-)ACG2T180ADH	NONE*	—	—	42	50	—	—	42	50
	G18KWD	18	21.7	42	50	28	30	42	50
	G36KWD	36	43.3	64	70	55	60	42	50
	G54KWD	54	64.9	91	100	82	90	42	50

**ELECTRIC HEATER KITS WITH POWERED EXHAUST - RACG2T180 (Con't.)**

<b>575V, THREE PHASE, 60 HZ, AUXILARY ELECTRIC HEATER KIT CHARACTERISTICS AND APPLICATION</b>									
<b>Single Power Supply For Both Unit and Heater Kit</b>					<b>Separate Power Supply For Both Unit and Heater Kit</b>				
<b>Unit Model Number</b>	<b>Heater Kit</b>			<b>Air Conditioner (Including Heater Kits)</b>		<b>Heater Kit</b>		<b>Air Conditioner</b>	
	<b>Model No. RXJJ-</b>	<b>Rated Heater kW @ 575</b>	<b>FLA</b>	<b>Unit Min. Ckt. Ampacity</b>	<b>Max. Fuse Or Ckt. Bkr. Size (Ckt. Bkr. Must Be HACR Type For USA)</b>	<b>Min. Ckt. Ampacity</b>	<b>Max. Fuse Or Ckt. Bkr. Size (Ckt. Bkr. Must Be HACR Type For USA)</b>	<b>Min. Ckt. Ampacity</b>	<b>Max. Fuse Or Ckt. Bkr. Size (Ckt. Bkr. Must Be HACR Type For USA)</b>
(-)ACG2T180AYF	NONE*	—	—	30	35	—	—	30	35
	G18KWY	18	17.3	30	35	22	25	30	35
	G36KWY	36	34.6	50	50	44	45	30	35
	G54KWY	54	52	72	80	65	70	30	35
(-)ACG2T180AYG	NONE*	—	—	31	40	—	—	31	40
	G18KWY	18	17.3	31	40	22	25	31	40
	G36KWY	36	34.6	52	60	44	45	31	40
	G54KWY	54	52	74	80	65	70	31	40
(-)ACG2T180AYH	NONE*	—	—	31	40	—	—	31	40
	G18KWY	18	17.3	31	40	22	25	31	40
	G36KWY	36	34.6	52	60	44	45	31	40
	G54KWY	54	52	74	80	65	70	31	40

**ELECTRIC HEATER KITS WITHOUT POWERED EXHAUST - RACG2T210**

<b>208/230V, THREE PHASE, 60 HZ, AUXILARY ELECTRIC HEATER KIT CHARACTERISTICS AND APPLICATION</b>									
<b>Single Power Supply For Both Unit and Heater Kit</b>					<b>Separate Power Supply For Both Unit and Heater Kit</b>				
<b>Unit Model Number</b>	<b>Heater Kit</b>			<b>Air Conditioner (Including Heater Kits)</b>		<b>Heater Kit</b>		<b>Air Conditioner</b>	
	<b>Model No. RXJJ-</b>	<b>Rated Heater kW @ 208/230</b>	<b>FLA</b>	<b>Unit Min. Ckt. Ampacity</b>	<b>Max. Fuse Or Ckt. Bkr. Size (Ckt. Bkr. Must Be HACR Type For USA)</b>	<b>Min. Ckt. Ampacity</b>	<b>Max. Fuse Or Ckt. Bkr. Size (Ckt. Bkr. Must Be HACR Type For USA)</b>	<b>Min. Ckt. Ampacity</b>	<b>Max. Fuse Or Ckt. Bkr. Size (Ckt. Bkr. Must Be HACR Type For USA)</b>
(-)ACG2T210ACF	NONE*	—/—	—/—	83/83	100/100	—	—	83/83	100/100
	G36KWC	27.0/36.0	75.0/86.6	106/120	110/125	94/109	100/110	83/83	100/100
	G54KWC	40.6/54.0	112.6/129.9	153/174	175/175	141/163	150/175	83/83	100/100
	G72KWC	54.1/72.0	150.1/173.2	200/228	200/250	188/217	200/225	83/83	100/100
(-)ACG2T210ACG	NONE*	—/—	—/—	87/87	110/110	—	—	87/87	110/110
	G36KWC	27.0/36.0	75.0/86.6	111/126	125/150	94/109	100/110	87/87	110/110
	G54KWC	40.6/54.0	112.6/129.9	158/180	175/200	141/163	150/175	87/87	110/110
	G72KWC	54.1/72.0	150.1/173.2	205/234	225/250	188/217	200/225	87/87	110/110
(-)ACG2T210ACH	NONE*	—/—	—/—	95/95	110/110	—	—	95/95	110/110
	G36KWC	27.0/36.0	75.0/86.6	120/135	125/150	94/109	100/110	95/95	110/110
	G54KWC	40.6/54.0	112.6/129.9	167/189	175/200	141/163	150/175	95/95	110/110
	G72KWC	54.1/72.0	150.1/173.2	214/243	225/250	188/217	200/225	95/95	110/110

<b>460V, THREE PHASE, 60 HZ, AUXILARY ELECTRIC HEATER KIT CHARACTERISTICS AND APPLICATION</b>									
<b>Single Power Supply For Both Unit and Heater Kit</b>					<b>Separate Power Supply For Both Unit and Heater Kit</b>				
<b>Unit Model Number</b>	<b>Heater Kit</b>			<b>Air Conditioner (Including Heater Kits)</b>		<b>Heater Kit</b>		<b>Air Conditioner</b>	
	<b>Model No. RXJJ-</b>	<b>Rated Heater kW @ 460</b>	<b>FLA</b>	<b>Unit Min. Ckt. Ampacity</b>	<b>Max. Fuse Or Ckt. Bkr. Size (Ckt. Bkr. Must Be HACR Type For USA)</b>	<b>Min. Ckt. Ampacity</b>	<b>Max. Fuse Or Ckt. Bkr. Size (Ckt. Bkr. Must Be HACR Type For USA)</b>	<b>Min. Ckt. Ampacity</b>	<b>Max. Fuse Or Ckt. Bkr. Size (Ckt. Bkr. Must Be HACR Type For USA)</b>
(-)ACG2T210ADF	NONE*	—	—	39	50	—	—	39	50
	G36KWD	36	43.3	60	60	55	60	39	50
	G54KWD	54	64.9	87	90	82	90	39	50
	G72KWD	72	86.6	114	125	109	110	39	50
(-)ACG2T210ADG	NONE*	—	—	41	50	—	—	41	50
	G36KWD	36	43.3	62	70	55	60	41	50
	G54KWD	54	64.9	89	90	82	90	41	50
	G72KWD	72	86.6	117	125	109	110	41	50
(-)ACG2T210ADH	NONE*	—	—	44	50	—	—	44	50
	G36KWD	36	43.3	67	70	55	60	44	50
	G54KWD	54	64.9	94	100	82	90	44	50
	G72KWD	72	86.6	121	125	109	110	44	50

**ELECTRIC HEATER KITS WITHOUT POWERED EXHAUST - RACG2T210 (Con't.)**

<b>575V, THREE PHASE, 60 HZ, AUXILARY ELECTRIC HEATER KIT CHARACTERISTICS AND APPLICATION</b>									
<b>Single Power Supply For Both Unit and Heater Kit</b>					<b>Separate Power Supply For Both Unit and Heater Kit</b>				
<b>Unit Model Number</b>	<b>Heater Kit</b>			<b>Air Conditioner (Including Heater Kits)</b>		<b>Heater Kit</b>		<b>Air Conditioner</b>	
	<b>Model No. RXJJ-</b>	<b>Rated Heater kW @ 575</b>	<b>FLA</b>	<b>Unit Min. Ckt. Ampacity</b>	<b>Max. Fuse Or Ckt. Bkr. Size (Ckt. Bkr. Must Be HACR Type For USA)</b>	<b>Min. Ckt. Ampacity</b>	<b>Max. Fuse Or Ckt. Bkr. Size (Ckt. Bkr. Must Be HACR Type For USA)</b>	<b>Min. Ckt. Ampacity</b>	<b>Max. Fuse Or Ckt. Bkr. Size (Ckt. Bkr. Must Be HACR Type For USA)</b>
(-)ACG2T210AYF	NONE*	—	—	30	35	—	—	30	35
	G36KWY	36	34.6	48	50	44	45	30	35
	G54KWY	54	52	70	70	65	70	30	35
	G72KWY	72	69.3	91	100	87	90	30	35
(-)ACG2T210AYG	NONE*	—	—	32	40	—	—	32	40
	G36KWY	36	34.6	50	50	44	45	32	40
	G54KWY	54	52	72	80	65	70	32	40
	G72KWY	72	69.3	93	100	87	90	32	40
(-)ACG2T210AYH	NONE*	—	—	34	40	—	—	34	40
	G36KWY	36	34.6	53	60	44	45	34	40
	G54KWY	54	52	75	80	65	70	34	40
	G72KWY	72	69.3	97	100	87	90	34	40



**ELECTRIC HEATER KITS WITH POWERED EXHAUST - RACG2T210**

<b>208/230V, THREE PHASE, 60 HZ, AUXILARY ELECTRIC HEATER KIT CHARACTERISTICS AND APPLICATION</b>									
<b>Single Power Supply For Both Unit and Heater Kit</b>					<b>Separate Power Supply For Both Unit and Heater Kit</b>				
Unit Model Number	Heater Kit			Air Conditioner (Including Heater Kits)		Heater Kit		Air Conditioner	
	Model No. RXJJ-	Rated Heater kW @ 208/230	FLA	Unit Min. Ckt. Ampacity	Max. Fuse Or Ckt. Bkr. Size (Ckt. Bkr. Must Be HACR Type For USA)	Min. Ckt. Ampacity	Max. Fuse Or Ckt. Bkr. Size (Ckt. Bkr. Must Be HACR Type For USA)	Min. Ckt. Ampacity	Max. Fuse Or Ckt. Bkr. Size (Ckt. Bkr. Must Be HACR Type For USA)
(-)ACG2T210ACF	NONE*	—/—	—/—	87/87	110/110	—	—	87/87	110/110
	G36KWC	27.0/36.0	75.0/86.6	110/126	125/150	94/109	100/110	87/87	110/110
	G54KWC	40.6/54.0	112.6/129.9	157/180	175/200	141/163	150/175	87/87	110/110
	G72KWC	54.1/72.0	150.1/173.2	204/234	225/250	188/217	200/225	87/87	110/110
(-)ACG2T210ACG	NONE*	—/—	—/—	92/92	110/110	—	—	92/92	110/110
	G36KWC	27.0/36.0	75.0/86.6	116/132	125/150	94/109	100/110	92/92	110/110
	G54KWC	40.6/54.0	112.6/129.9	163/186	175/200	141/163	150/175	92/92	110/110
	G72KWC	54.1/72.0	150.1/173.2	210/240	225/250	188/217	200/225	92/92	110/110
(-)ACG2T210ACH	NONE*	—/—	—/—	99/99	125/125	—	—	99/99	125/125
	G36KWC	27.0/36.0	75.0/86.6	125/141	150/150	94/109	100/110	99/99	125/125
	G54KWC	40.6/54.0	112.6/129.9	172/195	175/200	141/163	150/175	99/99	125/125
	G72KWC	54.1/72.0	150.1/173.2	219/249	225/250	188/217	200/225	99/99	125/125

<b>460V, THREE PHASE, 60 HZ, AUXILARY ELECTRIC HEATER KIT CHARACTERISTICS AND APPLICATION</b>									
<b>Single Power Supply For Both Unit and Heater Kit</b>					<b>Separate Power Supply For Both Unit and Heater Kit</b>				
Unit Model Number	Heater Kit			Air Conditioner (Including Heater Kits)		Heater Kit		Air Conditioner	
	Model No. RXJJ-	Rated Heater kW @ 460	FLA	Unit Min. Ckt. Ampacity	Max. Fuse Or Ckt. Bkr. Size (Ckt. Bkr. Must Be HACR Type For USA)	Min. Ckt. Ampacity	Max. Fuse Or Ckt. Bkr. Size (Ckt. Bkr. Must Be HACR Type For USA)	Min. Ckt. Ampacity	Max. Fuse Or Ckt. Bkr. Size (Ckt. Bkr. Must Be HACR Type For USA)
(-)ACG2T210ADF	NONE*	—	—	41	50	—	—	41	50
	G36KWD	36	43.3	62	70	55	60	41	50
	G54KWD	54	64.9	89	90	82	90	41	50
	G72KWD	72	86.6	116	125	109	110	41	50
(-)ACG2T210ADG	NONE*	—	—	43	50	—	—	43	50
	G36KWD	36	43.3	64	70	55	60	43	50
	G54KWD	54	64.9	91	100	82	90	43	50
	G72KWD	72	86.6	118	125	109	110	43	50
(-)ACG2T210ADH	NONE*	—	—	46	50	—	—	46	50
	G36KWD	36	43.3	68	70	55	60	46	50
	G54KWD	54	64.9	95	100	82	90	46	50
	G72KWD	72	86.6	122	125	109	110	46	50

**ELECTRIC HEATER KITS WITH POWERED EXHAUST - RACG2T210 (Con't.)**

<b>575V, THREE PHASE, 60 HZ, AUXILARY ELECTRIC HEATER KIT CHARACTERISTICS AND APPLICATION</b>									
<b>Single Power Supply For Both Unit and Heater Kit</b>						<b>Separate Power Supply For Both Unit and Heater Kit</b>			
<b>Unit Model Number</b>	<b>Heater Kit</b>			<b>Air Conditioner (Including Heater Kits)</b>		<b>Heater Kit</b>		<b>Air Conditioner</b>	
	<b>Model No. RXJJ-</b>	<b>Rated Heater kW @ 575</b>	<b>FLA</b>	<b>Unit Min. Ckt. Ampacity</b>	<b>Max. Fuse Or Ckt. Bkr. Size (Ckt. Bkr. Must Be HACR Type For USA)</b>	<b>Min. Ckt. Ampacity</b>	<b>Max. Fuse Or Ckt. Bkr. Size (Ckt. Bkr. Must Be HACR Type For USA)</b>	<b>Min. Ckt. Ampacity</b>	<b>Max. Fuse Or Ckt. Bkr. Size (Ckt. Bkr. Must Be HACR Type For USA)</b>
(-)ACG2T210AYF	NONE*	—	—	32	40	—	—	32	40
	G36KWY	36	34.6	50	50	44	45	32	40
	G54KWY	54	52	72	80	65	70	32	40
	G72KWY	72	69.3	93	100	87	90	32	40
(-)ACG2T210AYG	NONE*	—	—	33	40	—	—	33	40
	G36KWY	36	34.6	52	60	44	45	33	40
	G54KWY	54	52	74	80	65	70	33	40
	G72KWY	72	69.3	95	100	87	90	33	40
(-)ACG2T210AYH	NONE*	—	—	36	45	—	—	36	45
	G36KWY	36	34.6	55	60	44	45	36	45
	G54KWY	54	52	77	80	65	70	36	45
	G72KWY	72	69.3	99	100	87	90	36	45

**ELECTRIC HEATER KITS WITHOUT POWERED EXHAUST - RACG2T240**

<b>208/230V, THREE PHASE, 60 HZ, AUXILARY ELECTRIC HEATER KIT CHARACTERISTICS AND APPLICATION</b>									
<b>Single Power Supply For Both Unit and Heater Kit</b>					<b>Separate Power Supply For Both Unit and Heater Kit</b>				
Unit Model Number	Heater Kit			Air Conditioner (Including Heater Kits)		Heater Kit		Air Conditioner	
	Model No. RXJJ-	Rated Heater kW @ 208/230	FLA	Unit Min. Ckt. Ampacity	Max. Fuse Or Ckt. Bkr. Size (Ckt. Bkr. Must Be HACR Type For USA)	Min. Ckt. Ampacity	Max. Fuse Or Ckt. Bkr. Size (Ckt. Bkr. Must Be HACR Type For USA)	Min. Ckt. Ampacity	Max. Fuse Or Ckt. Bkr. Size (Ckt. Bkr. Must Be HACR Type For USA)
(-)ACG2T240ACF	NONE*	—/—	—/—	89/89	110/110	—	—	89/89	110/110
	G36KWC	27.0/36.0	75.0/86.6	111/126	125/150	94/109	100/110	89/89	110/110
	G54KWC	40.6/54.0	112.6/129.9	158/180	175/200	141/163	150/175	89/89	110/110
	G72KWC	54.1/72.0	150.1/173.2	205/234	225/250	188/217	200/225	89/89	110/110
(-)ACG2T240ACG	NONE*	—/—	—/—	89/89	110/110	—	—	89/89	110/110
	G36KWC	27.0/36.0	75.0/86.6	111/126	125/150	94/109	100/110	89/89	110/110
	G54KWC	40.6/54.0	112.6/129.9	158/180	175/200	141/163	150/175	89/89	110/110
	G72KWC	54.1/72.0	150.1/173.2	205/234	225/250	188/217	200/225	89/89	110/110
(-)ACG2T240ACH	NONE*	—/—	—/—	96/96	110/110	—	—	96/96	110/110
	G36KWC	27.0/36.0	75.0/86.6	120/135	125/150	94/109	100/110	96/96	110/110
	G54KWC	40.6/54.0	112.6/129.9	167/189	175/200	141/163	150/175	96/96	110/110
	G72KWC	54.1/72.0	150.1/173.2	214/243	225/250	188/217	200/225	96/96	110/110

<b>460V, THREE PHASE, 60 HZ, AUXILARY ELECTRIC HEATER KIT CHARACTERISTICS AND APPLICATION</b>									
<b>Single Power Supply For Both Unit and Heater Kit</b>					<b>Separate Power Supply For Both Unit and Heater Kit</b>				
Unit Model Number	Heater Kit			Air Conditioner (Including Heater Kits)		Heater Kit		Air Conditioner	
	Model No. RXJJ-	Rated Heater kW @ 460	FLA	Unit Min. Ckt. Ampacity	Max. Fuse Or Ckt. Bkr. Size (Ckt. Bkr. Must Be HACR Type For USA)	Min. Ckt. Ampacity	Max. Fuse Or Ckt. Bkr. Size (Ckt. Bkr. Must Be HACR Type For USA)	Min. Ckt. Ampacity	Max. Fuse Or Ckt. Bkr. Size (Ckt. Bkr. Must Be HACR Type For USA)
(-)ACG2T240ADF	NONE*	—	—	45	50	—	—	45	50
	G36KWD	36	43.3	62	70	55	60	45	50
	G54KWD	54	64.9	89	90	82	90	45	50
	G72KWD	72	86.6	117	125	109	110	45	50
(-)ACG2T240ADG	NONE*	—	—	45	50	—	—	45	50
	G36KWD	36	43.3	62	70	55	60	45	50
	G54KWD	54	64.9	89	90	82	90	45	50
	G72KWD	72	86.6	117	125	109	110	45	50
(-)ACG2T240ADH	NONE*	—	—	49	60	—	—	49	60
	G36KWD	36	43.3	67	70	55	60	49	60
	G54KWD	54	64.9	94	100	82	90	49	60
	G72KWD	72	86.6	121	125	109	110	49	60

**ELECTRIC HEATER KITS WITHOUT POWERED EXHAUST - RACG2T240 (Con't.)**

<b>575V, THREE PHASE, 60 HZ, AUXILARY ELECTRIC HEATER KIT CHARACTERISTICS AND APPLICATION</b>									
<b>Single Power Supply For Both Unit and Heater Kit</b>						<b>Separate Power Supply For Both Unit and Heater Kit</b>			
<b>Unit Model Number</b>	<b>Heater Kit</b>			<b>Air Conditioner (Including Heater Kits)</b>		<b>Heater Kit</b>		<b>Air Conditioner</b>	
	<b>Model No. RXJJ-</b>	<b>Rated Heater kW @ 575</b>	<b>FLA</b>	<b>Unit Min. Ckt. Ampacity</b>	<b>Max. Fuse Or Ckt. Bkr. Size (Ckt. Bkr. Must Be HACR Type For USA)</b>	<b>Min. Ckt. Ampacity</b>	<b>Max. Fuse Or Ckt. Bkr. Size (Ckt. Bkr. Must Be HACR Type For USA)</b>	<b>Min. Ckt. Ampacity</b>	<b>Max. Fuse Or Ckt. Bkr. Size (Ckt. Bkr. Must Be HACR Type For USA)</b>
(-)ACG2T240AYF	NONE*	—	—	35	45	—	—	35	45
	G36KWY	36	34.6	50	50	44	45	35	45
	G54KWY	54	52	72	80	65	70	35	45
	G72KWY	72	69.3	93	100	87	90	35	45
(-)ACG2T240AYG	NONE*	—	—	35	45	—	—	35	45
	G36KWY	36	34.6	50	50	44	45	35	45
	G54KWY	54	52	72	80	65	70	35	45
	G72KWY	72	69.3	93	100	87	90	35	45
(-)ACG2T240AYH	NONE*	—	—	38	45	—	—	38	45
	G36KWY	36	34.6	53	60	44	45	38	45
	G54KWY	54	52	75	80	65	70	38	45
	G72KWY	72	69.3	97	100	87	90	38	45

## ELECTRIC HEATER KITS WITH POWERED EXHAUST - RACG2T240

208/230V, THREE PHASE, 60 HZ, AUXILARY ELECTRIC HEATER KIT CHARACTERISTICS AND APPLICATION									
Single Power Supply For Both Unit and Heater Kit					Separate Power Supply For Both Unit and Heater Kit				
Unit Model Number	Heater Kit			Air Conditioner (Including Heater Kits)		Heater Kit		Air Conditioner	
	Model No. RXJJ-	Rated Heater kW @ 208/230	FLA	Unit Min. Ckt. Ampacity	Max. Fuse Or Ckt. Bkr. Size (Ckt. Bkr. Must Be HACR Type For USA)	Min. Ckt. Ampacity	Max. Fuse Or Ckt. Bkr. Size (Ckt. Bkr. Must Be HACR Type For USA)	Min. Ckt. Ampacity	Max. Fuse Or Ckt. Bkr. Size (Ckt. Bkr. Must Be HACR Type For USA)
(-)ACG2T240ACF	NONE*	—/—	—/—	93/93	110/110	—	—	93/93	110/110
	G36KWC	27.0/36.0	75.0/86.6	116/132	125/150	94/109	100/110	93/93	110/110
	G54KWC	40.6/54.0	112.6/129.9	163/186	175/200	141/163	150/175	93/93	110/110
	G72KWC	54.1/72.0	150.1/173.2	210/240	225/250	188/217	200/225	93/93	110/110
(-)ACG2T240ACG	NONE*	—/—	—/—	93/93	110/110	—	—	93/93	110/110
	G36KWC	27.0/36.0	75.0/86.6	116/132	125/150	94/109	100/110	93/93	110/110
	G54KWC	40.6/54.0	112.6/129.9	163/186	175/200	141/163	150/175	93/93	110/110
	G72KWC	54.1/72.0	150.1/173.2	210/240	225/250	188/217	200/225	93/93	110/110
(-)ACG2T240ACH	NONE*	—/—	—/—	101/101	125/125	—	—	101/101	125/125
	G36KWC	27.0/36.0	75.0/86.6	125/141	150/150	94/109	100/110	101/101	125/125
	G54KWC	40.6/54.0	112.6/129.9	172/195	175/200	141/163	150/175	101/101	125/125
	G72KWC	54.1/72.0	150.1/173.2	219/249	225/250	188/217	200/225	101/101	125/125

460V, THREE PHASE, 60 HZ, AUXILARY ELECTRIC HEATER KIT CHARACTERISTICS AND APPLICATION									
Single Power Supply For Both Unit and Heater Kit					Separate Power Supply For Both Unit and Heater Kit				
Unit Model Number	Heater Kit			Air Conditioner (Including Heater Kits)		Heater Kit		Air Conditioner	
	Model No. RXJJ-	Rated Heater kW @ 460	FLA	Unit Min. Ckt. Ampacity	Max. Fuse Or Ckt. Bkr. Size (Ckt. Bkr. Must Be HACR Type For USA)	Min. Ckt. Ampacity	Max. Fuse Or Ckt. Bkr. Size (Ckt. Bkr. Must Be HACR Type For USA)	Min. Ckt. Ampacity	Max. Fuse Or Ckt. Bkr. Size (Ckt. Bkr. Must Be HACR Type For USA)
(-)ACG2T240ADF	NONE*	—	—	47	60	—	—	47	60
	G36KWD	36	43.3	64	70	55	60	47	60
	G54KWD	54	64.9	91	100	82	90	47	60
	G72KWD	72	86.6	118	125	109	110	47	60
(-)ACG2T240ADG	NONE*	—	—	47	60	—	—	47	60
	G36KWD	36	43.3	64	70	55	60	47	60
	G54KWD	54	64.9	91	100	82	90	47	60
	G72KWD	72	86.6	118	125	109	110	47	60
(-)ACG2T240ADH	NONE*	—	—	50	60	—	—	50	60
	G36KWD	36	43.3	68	70	55	60	50	60
	G54KWD	54	64.9	95	100	82	90	50	60
	G72KWD	72	86.6	122	125	109	110	50	60

**ELECTRIC HEATER KITS WITH POWERED EXHAUST - RACG2T240 (Con't.)**

<b>575V, THREE PHASE, 60 HZ, AUXILARY ELECTRIC HEATER KIT CHARACTERISTICS AND APPLICATION</b>									
<b>Single Power Supply For Both Unit and Heater Kit</b>					<b>Separate Power Supply For Both Unit and Heater Kit</b>				
<b>Unit Model Number</b>	<b>Heater Kit</b>			<b>Air Conditioner (Including Heater Kits)</b>		<b>Heater Kit</b>		<b>Air Conditioner</b>	
	<b>Model No. RXJJ-</b>	<b>Rated Heater kW @ 575</b>	<b>FLA</b>	<b>Unit Min. Ckt. Ampacity</b>	<b>Max. Fuse Or Ckt. Bkr. Size (Ckt. Bkr. Must Be HACR Type For USA)</b>	<b>Min. Ckt. Ampacity</b>	<b>Max. Fuse Or Ckt. Bkr. Size (Ckt. Bkr. Must Be HACR Type For USA)</b>	<b>Min. Ckt. Ampacity</b>	<b>Max. Fuse Or Ckt. Bkr. Size (Ckt. Bkr. Must Be HACR Type For USA)</b>
(-)ACG2T240AYF	NONE*	—	—	37	45	—	—	37	45
	G36KWY	36	34.6	52	60	44	45	37	45
	G54KWY	54	52	74	80	65	70	37	45
	G72KWY	72	69.3	95	100	87	90	37	45
(-)ACG2T240AYG	NONE*	—	—	37	45	—	—	37	45
	G36KWY	36	34.6	52	60	44	45	37	45
	G54KWY	54	52	74	80	65	70	37	45
	G72KWY	72	69.3	95	100	87	90	37	45
(-)ACG2T240AYH	NONE*	—	—	40	50	—	—	40	50
	G36KWY	36	34.6	55	60	44	45	40	50
	G54KWY	54	52	77	80	65	70	40	50
	G72KWY	72	69.3	99	100	87	90	40	50



**ELECTRIC HEATER KITS WITHOUT POWERED EXHAUST - RACG2T300**

<b>208/230V, THREE PHASE, 60 HZ, AUXILARY ELECTRIC HEATER KIT CHARACTERISTICS AND APPLICATION</b>									
<b>Single Power Supply For Both Unit and Heater Kit</b>					<b>Separate Power Supply For Both Unit and Heater Kit</b>				
Unit Model Number	Heater Kit			Air Conditioner (Including Heater Kits)		Heater Kit		Air Conditioner	
	Model No. RXJJ-	Rated Heater kW @ 208/230	FLA	Unit Min. Ckt. Ampacity	Max. Fuse Or Ckt. Bkr. Size (Ckt. Bkr. Must Be HACR Type For USA)	Min. Ckt. Ampacity	Max. Fuse Or Ckt. Bkr. Size (Ckt. Bkr. Must Be HACR Type For USA)	Min. Ckt. Ampacity	Max. Fuse Or Ckt. Bkr. Size (Ckt. Bkr. Must Be HACR Type For USA)
(-)ACG2T300ACF	NONE*	—/—	—/—	141/141	175/175	—	—	141/141	175/175
	G36KWC	27.0/36.0	75.0/86.6	141/141	175/175	94/109	100/110	141/141	175/175
	G54KWC	40.6/54.0	112.6/129.9	167/189	175/200	141/163	150/175	141/141	175/175
	G72KWC	54.1/72.0	150.1/173.2	214/243	225/250	188/217	200/225	141/141	175/175
(-)ACG2T300ACG	NONE*	—/—	—/—	147/147	175/175	—	—	147/147	175/175
	G36KWC	27.0/36.0	75.0/86.6	147/147	175/175	94/109	100/110	147/147	175/175
	G54KWC	40.6/54.0	112.6/129.9	175/197	175/200	141/163	150/175	147/147	175/175
	G72KWC	54.1/72.0	150.1/173.2	222/251	225/300	188/217	200/225	147/147	175/175
(-)ACG2T300ACH	NONE*	—/—	—/—	147/147	175/175	—	—	147/147	175/175
	G36KWC	27.0/36.0	75.0/86.6	147/147	175/175	94/109	100/110	147/147	175/175
	G54KWC	40.6/54.0	112.6/129.9	175/197	175/200	141/163	150/175	147/147	175/175
	G72KWC	54.1/72.0	150.1/173.2	222/251	225/300	188/217	200/225	147/147	175/175

<b>460V, THREE PHASE, 60 HZ, AUXILARY ELECTRIC HEATER KIT CHARACTERISTICS AND APPLICATION</b>									
<b>Single Power Supply For Both Unit and Heater Kit</b>					<b>Separate Power Supply For Both Unit and Heater Kit</b>				
Unit Model Number	Heater Kit			Air Conditioner (Including Heater Kits)		Heater Kit		Air Conditioner	
	Model No. RXJJ-	Rated Heater kW @ 460	FLA	Unit Min. Ckt. Ampacity	Max. Fuse Or Ckt. Bkr. Size (Ckt. Bkr. Must Be HACR Type For USA)	Min. Ckt. Ampacity	Max. Fuse Or Ckt. Bkr. Size (Ckt. Bkr. Must Be HACR Type For USA)	Min. Ckt. Ampacity	Max. Fuse Or Ckt. Bkr. Size (Ckt. Bkr. Must Be HACR Type For USA)
(-)ACG2T300ADF	NONE*	—	—	57	70	—	—	57	70
	G36KWD	36	43.3	67	70	55	60	57	70
	G54KWD	54	64.9	94	100	82	90	57	70
	G72KWD	72	86.6	121	125	109	110	57	70
(-)ACG2T300ADG	NONE*	—	—	60	70	—	—	60	70
	G36KWD	36	43.3	70	70	55	60	60	70
	G54KWD	54	64.9	97	100	82	90	60	70
	G72KWD	72	86.6	124	125	109	110	60	70
(-)ACG2T300ADH	NONE*	—	—	60	70	—	—	60	70
	G36KWD	36	43.3	70	70	55	60	60	70
	G54KWD	54	64.9	97	100	82	90	60	70
	G72KWD	72	86.6	124	125	109	110	60	70

**ELECTRIC HEATER KITS WITHOUT POWERED EXHAUST - RACG2T300 (Con't.)**

<b>575V, THREE PHASE, 60 HZ, AUXILARY ELECTRIC HEATER KIT CHARACTERISTICS AND APPLICATION</b>									
<b>Single Power Supply For Both Unit and Heater Kit</b>						<b>Separate Power Supply For Both Unit and Heater Kit</b>			
<b>Unit Model Number</b>	<b>Heater Kit</b>			<b>Air Conditioner (Including Heater Kits)</b>		<b>Heater Kit</b>		<b>Air Conditioner</b>	
	<b>Model No. RXJJ-</b>	<b>Rated Heater kW @ 575</b>	<b>FLA</b>	<b>Unit Min. Ckt. Ampacity</b>	<b>Max. Fuse Or Ckt. Bkr. Size (Ckt. Bkr. Must Be HACR Type For USA)</b>	<b>Min. Ckt. Ampacity</b>	<b>Max. Fuse Or Ckt. Bkr. Size (Ckt. Bkr. Must Be HACR Type For USA)</b>	<b>Min. Ckt. Ampacity</b>	<b>Max. Fuse Or Ckt. Bkr. Size (Ckt. Bkr. Must Be HACR Type For USA)</b>
(-)ACG2T300AYF	NONE*	—	—	46	50	—	—	46	50
	G36KWY	36	34.6	53	60	44	45	46	50
	G54KWY	54	52	75	80	65	70	46	50
	G72KWY	72	69.3	97	100	87	90	46	50
(-)ACG2T300AYG	NONE*	—	—	48	60	—	—	48	60
	G36KWY	36	34.6	56	60	44	45	48	60
	G54KWY	54	52	78	80	65	70	48	60
	G72KWY	72	69.3	100	100	87	90	48	60
(-)ACG2T300AYH	NONE*	—	—	48	60	—	—	48	60
	G36KWY	36	34.6	56	60	44	45	48	60
	G54KWY	54	52	78	80	65	70	48	60
	G72KWY	72	69.3	100	100	87	90	48	60

**ELECTRIC HEATER KITS WITH POWERED EXHAUST - RACG2T300**

<b>208/230V, THREE PHASE, 60 HZ, AUXILARY ELECTRIC HEATER KIT CHARACTERISTICS AND APPLICATION</b>									
<b>Single Power Supply For Both Unit and Heater Kit</b>					<b>Separate Power Supply For Both Unit and Heater Kit</b>				
Unit Model Number	Heater Kit			Air Conditioner (Including Heater Kits)		Heater Kit		Air Conditioner	
	Model No. RXJJ-	Rated Heater kW @ 208/230	FLA	Unit Min. Ckt. Ampacity	Max. Fuse Or Ckt. Bkr. Size (Ckt. Bkr. Must Be HACR Type For USA)	Min. Ckt. Ampacity	Max. Fuse Or Ckt. Bkr. Size (Ckt. Bkr. Must Be HACR Type For USA)	Min. Ckt. Ampacity	Max. Fuse Or Ckt. Bkr. Size (Ckt. Bkr. Must Be HACR Type For USA)
(-)ACG2T300ACF	NONE*	—/—	—/—	145/145	175/175	—	—	145/145	175/175
	G36KWC	27.0/36.0	75.0/86.6	145/145	175/175	94/109	100/110	145/145	175/175
	G54KWC	40.6/54.0	112.6/129.9	172/195	175/200	141/163	150/175	145/145	175/175
	G72KWC	54.1/72.0	150.1/173.2	219/249	225/250	188/217	200/225	145/145	175/175
(-)ACG2T300ACG	NONE*	—/—	—/—	151/151	175/175	—	—	151/151	175/175
	G36KWC	27.0/36.0	75.0/86.6	151/151	175/175	94/109	100/110	151/151	175/175
	G54KWC	40.6/54.0	112.6/129.9	180/202	200/225	141/163	150/175	151/151	175/175
	G72KWC	54.1/72.0	150.1/173.2	227/257	250/300	188/217	200/225	151/151	175/175
(-)ACG2T300ACH	NONE*	—/—	—/—	152/152	175/175	—	—	152/152	175/175
	G36KWC	27.0/36.0	75.0/86.6	152/152	175/175	94/109	100/110	152/152	175/175
	G54KWC	40.6/54.0	112.6/129.9	180/203	200/225	141/163	150/175	152/152	175/175
	G72KWC	54.1/72.0	150.1/173.2	227/257	250/300	188/217	200/225	152/152	175/175

<b>460V, THREE PHASE, 60 HZ, AUXILARY ELECTRIC HEATER KIT CHARACTERISTICS AND APPLICATION</b>									
<b>Single Power Supply For Both Unit and Heater Kit</b>					<b>Separate Power Supply For Both Unit and Heater Kit</b>				
Unit Model Number	Heater Kit			Air Conditioner (Including Heater Kits)		Heater Kit		Air Conditioner	
	Model No. RXJJ-	Rated Heater kW @ 460	FLA	Unit Min. Ckt. Ampacity	Max. Fuse Or Ckt. Bkr. Size (Ckt. Bkr. Must Be HACR Type For USA)	Min. Ckt. Ampacity	Max. Fuse Or Ckt. Bkr. Size (Ckt. Bkr. Must Be HACR Type For USA)	Min. Ckt. Ampacity	Max. Fuse Or Ckt. Bkr. Size (Ckt. Bkr. Must Be HACR Type For USA)
(-)ACG2T300ADF	NONE*	—	—	59	70	—	—	59	70
	G36KWD	36	43.3	68	70	55	60	59	70
	G54KWD	54	64.9	95	100	82	90	59	70
	G72KWD	72	86.6	122	125	109	110	59	70
(-)ACG2T300ADG	NONE*	—	—	62	70	—	—	62	70
	G36KWD	36	43.3	72	80	55	60	62	70
	G54KWD	54	64.9	99	100	82	90	62	70
	G72KWD	72	86.6	126	150	109	110	62	70
(-)ACG2T300ADH	NONE*	—	—	62	70	—	—	62	70
	G36KWD	36	43.3	72	80	55	60	62	70
	G54KWD	54	64.9	99	100	82	90	62	70
	G72KWD	72	86.6	126	150	109	110	62	70

**ELECTRIC HEATER KITS WITH POWERED EXHAUST - RACG2T300 (Con't.)**

<b>575V, THREE PHASE, 60 HZ, AUXILARY ELECTRIC HEATER KIT CHARACTERISTICS AND APPLICATION</b>									
<b>Single Power Supply For Both Unit and Heater Kit</b>						<b>Separate Power Supply For Both Unit and Heater Kit</b>			
<b>Unit Model Number</b>	<b>Heater Kit</b>			<b>Air Conditioner (Including Heater Kits)</b>		<b>Heater Kit</b>		<b>Air Conditioner</b>	
	<b>Model No. RXJJ-</b>	<b>Rated Heater kW @ 575</b>	<b>FLA</b>	<b>Unit Min. Ckt. Ampacity</b>	<b>Max. Fuse Or Ckt. Bkr. Size (Ckt. Bkr. Must Be HACR Type For USA)</b>	<b>Min. Ckt. Ampacity</b>	<b>Max. Fuse Or Ckt. Bkr. Size (Ckt. Bkr. Must Be HACR Type For USA)</b>	<b>Min. Ckt. Ampacity</b>	<b>Max. Fuse Or Ckt. Bkr. Size (Ckt. Bkr. Must Be HACR Type For USA)</b>
(-)ACG2T300AYF	NONE*	—	—	48	60	—	—	48	60
	G36KWY	36	34.6	55	60	44	45	48	60
	G54KWY	54	52	77	80	65	70	48	60
	G72KWY	72	69.3	99	100	87	90	48	60
(-)ACG2T300AYG	NONE*	—	—	50	60	—	—	50	60
	G36KWY	36	34.6	58	60	44	45	50	60
	G54KWY	54	52	80	80	65	70	50	60
	G72KWY	72	69.3	101	110	87	90	50	60
(-)ACG2T300AYH	NONE*	—	—	50	60	—	—	50	60
	G36KWY	36	34.6	58	60	44	45	50	60
	G54KWY	54	52	80	80	65	70	50	60
	G72KWY	72	69.3	101	110	87	90	50	60

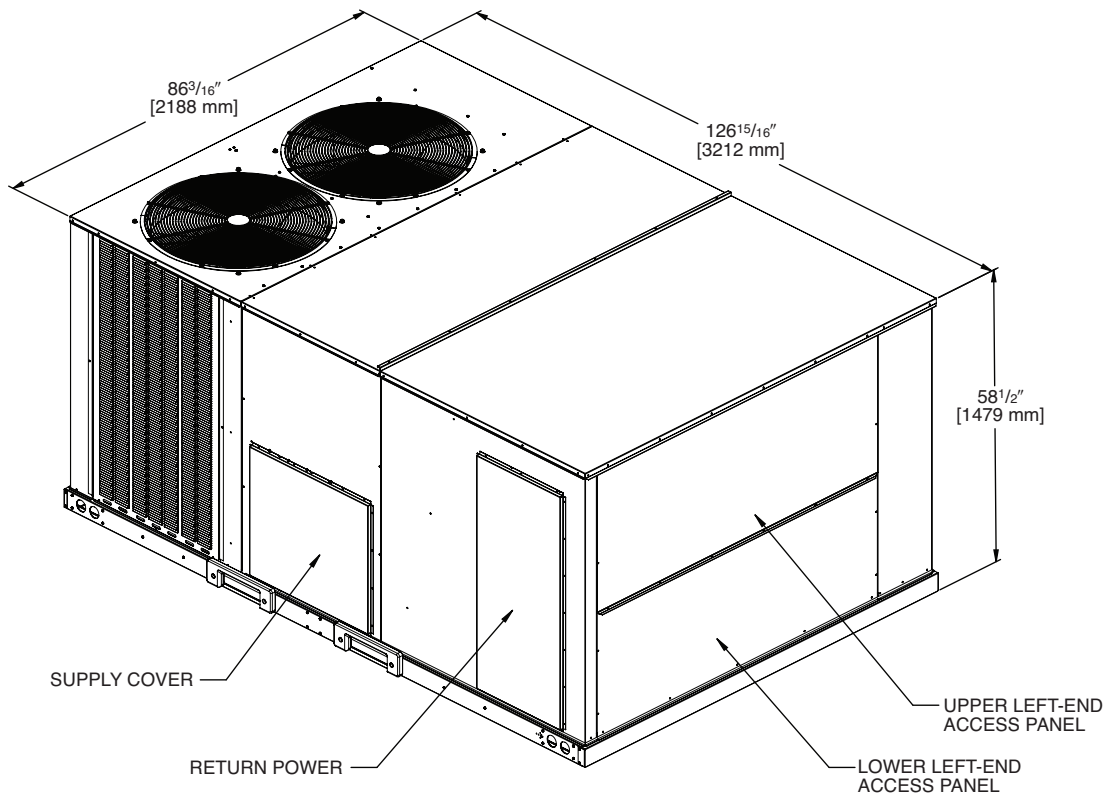


Illustration  
ST-A1321-02

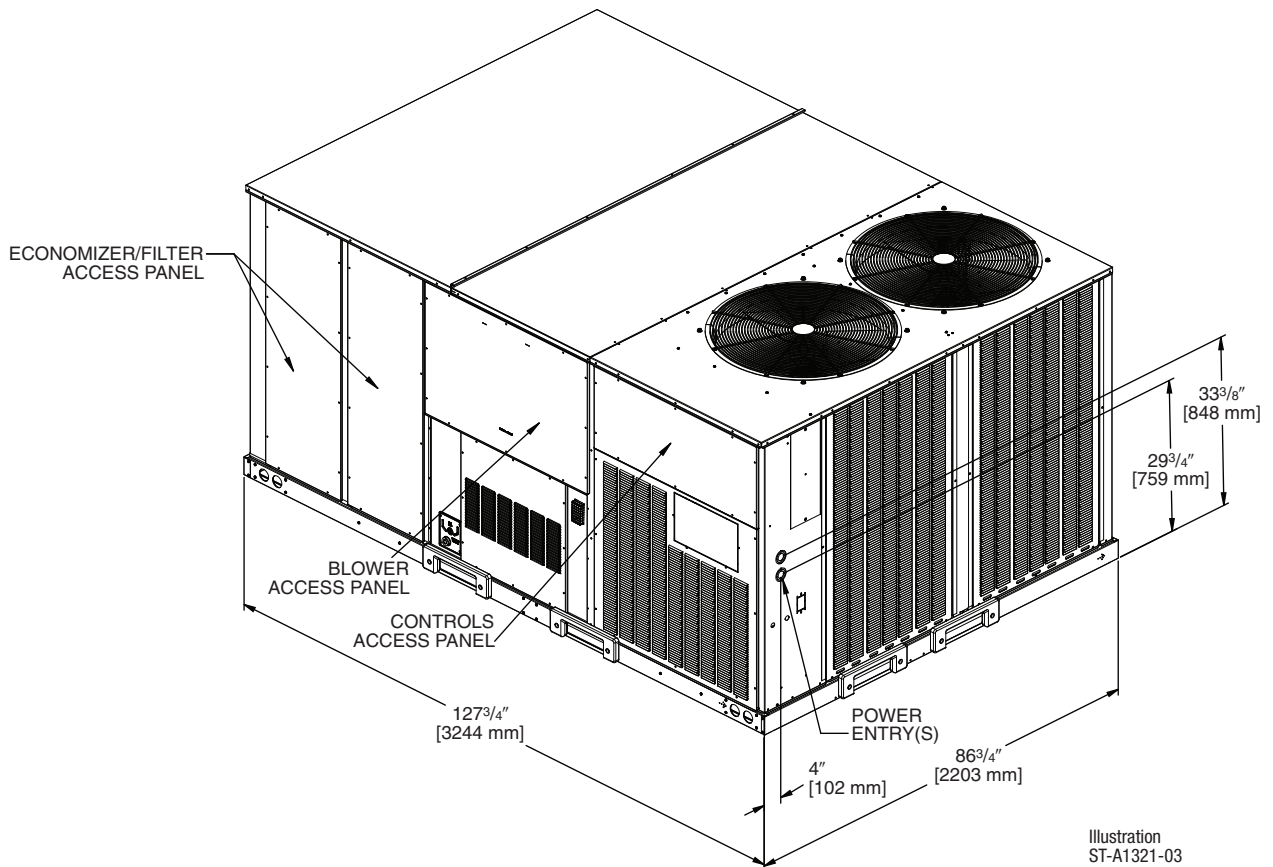


Illustration  
ST-A1321-03

[ ] Designates Metric Conversions

SUPPLY AND RETURN DIMENSIONS FOR HORIZONTAL APPLICATIONS

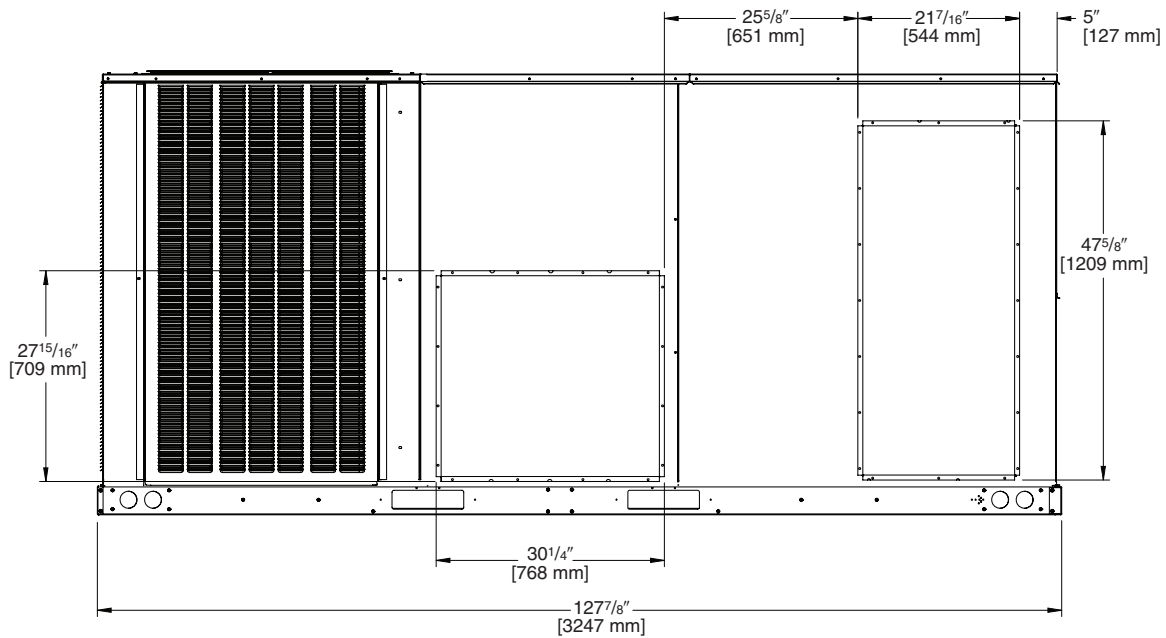


Illustration  
ST-A1321-05

SUPPLY AND RETURN DIMENSIONS FOR DOWNFLOW APPLICATIONS

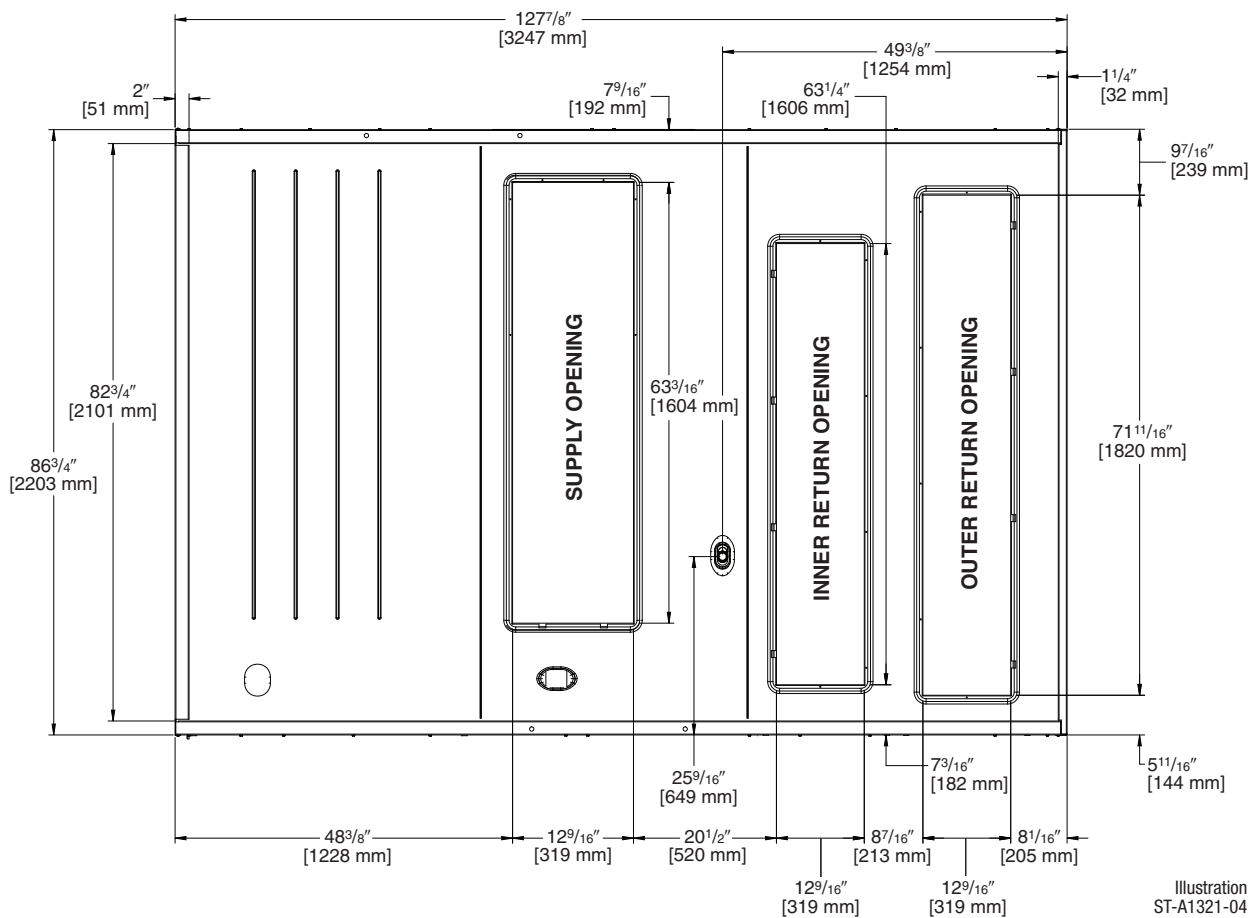


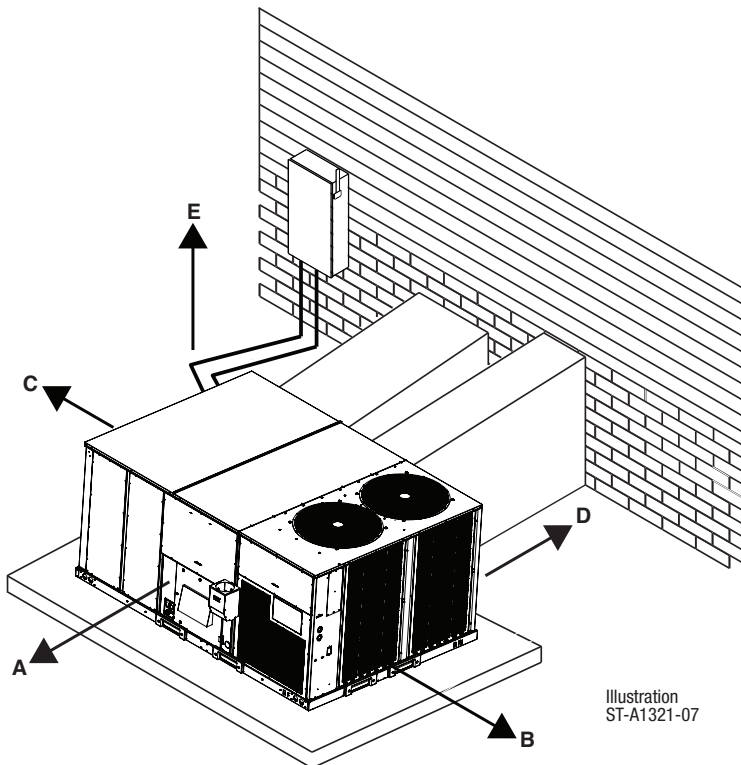
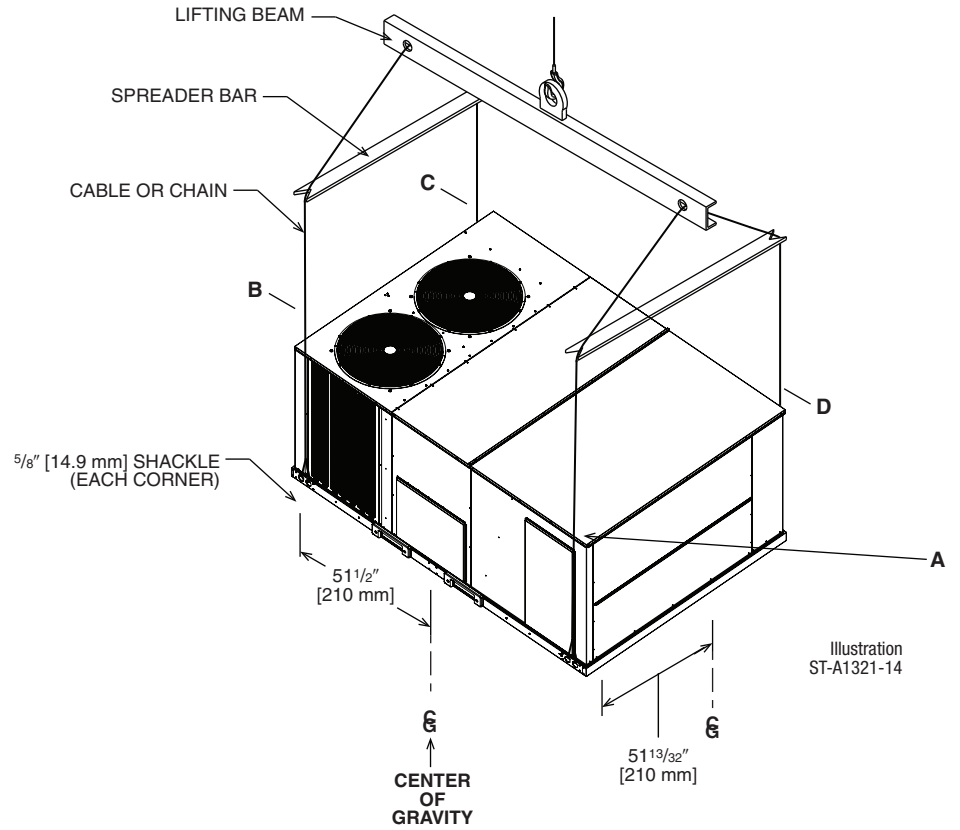
Illustration  
ST-A1321-04

[ ] Designates Metric Conversions



## WEIGHTS

Capacity Tons [kW]	Corner Weights by Percentage			
	A	B	C	D
15.0 - 25.0 [52.8 - 87.9]	27%	14%	45%	14%



### CLEARANCES

The following minimum clearances must be observed for proper unit performance and serviceability.

RECOMMENDED CLEARANCE IN. [mm]	LOCATION
80 [2.03]	A - FRONT CONTROLS
36 [0.91]	B - RIGHT SIDE
36 [0.91]	C - LEFT SIDE
24 [0.61]	D - BACK
60 [1.52]	E - TOP

## COMMUNICATION CARDS

### Field Installed



#### **BACnet® COMMUNICATION CARD RXRX-AY01**

The field installed BACnet® Communication Card allows the RTU-C unit controller to communicate with a third party building management system that supports the BACnet Application Specific Controller device profile. The BACnet® Communication Module plugs onto the unit RTU-C controller and allows communication between the RTU-C and the BACnet MSTP network.



#### **LonWorks® COMMUNICATION CARD RXRX-AY02**

The field installed LonWorks® Communication Card allows the RTU-C unit controller to communicate with a third party building management system that supports the LonMark Space Comfort Controller (SCC) functional profile or LonMark Discharge Air Controller (DAC) functional profile. The LonMark Communication Module plugs onto the RTU-C controller and allows communication between the RTU-C and a LonWorks Network.

## FIELD-INSTALLED ACCESSORY EQUIPMENT

Accessory	Model Number	Shipping Weight Lbs. [kg]	Installed Weight Lbs. [kg]	Factory Installation Available?
Economizer w/Single Enthalpy (Downflow/Vertical)	RXRD-01MGDAM3	445 [202]	269 [122.1]	Yes
Economizer w/Single Enthalpy (Horizontal)	RXRD-01MGHAM3	616 [279.7]	427.3 [194]	No
Economizer w/Single Enthalpy (Downflow/Vertical) DDC	RXRD-01MGDBM3	445 [202]	269 [122.1]	Yes
Economizer w/Single Enthalpy (Horizontal) DDC	RXRD-01MGHBM3	616 [279.7]	427.3 [194]	No
Dual Enthalpy Kit	RXXR-BV01	1 [0.5]	1 [0.5]	No
Dual Enthalpy Kit DDC	RXXR-BV02	1 [0.5]	1 [0.5]	No
Power Exhaust (230V)	RXXR-CGF01C	104 [47.2]	98.65 [44.8]	No
Power Exhaust (460V)	RXXR-CFG01D	97 [44]	91.65 [41.6]	No
Power Exhaust (575V)	RXXR-CGF01Y	140 [63.6]	134.65 [61.1]	No
Manual Fresh Air Damper	RXRF-AGA1	110 [49.9]	104 [47.2]	No
Motorized Fresh Air Damper	RXRF-AGB1	118 [53.6]	112 [50.8]	No
Motorized Fresh Air Damper DDC	RXRF-AGC1	118 [53.6]	112 [50.8]	No
Roofcurb, 14"	RXXR-DGC14	210 [95.3]	205 [93.1]	No
Roofcurb, 18"	RXXR-DGC18	250 [113.5]	245 [111.2]	No
Roofcurb, 24"	RXXR-DGC24	293 [133]	288 [130.8]	No
Roofcurb - Restraint Clips	RXXR-DGCRC	8.5 [3.9]	7.5 [3.4]	No
Roofcurb Adapter	RXXR-DCGCAE	358 [162.5]	350 [158.9]	No
Roofcurb Adapter Z-Bracket	RXXR-DGCAZ	60 [27.2]	42 [19.1]	No
Concentric Flush Mount Diffuser (15 & 17.5 ton)	RXRN-AEF2042	240 [109]	220 [99.9]	No
Concentric Flush Mount Diffuser (20 ton)	RXRN-AEF2348	270 [122.6]	250 [113.5]	No
Concentric Flush Mount Diffuser (25 ton)	RXRN-AEF2852	335 [152.1]	315 [143]	No
Concentric Step Down Diffuser (15 & 17.5 ton)	RXRN-AED2042	350 [158.9]	330 [149.8]	No
Concentric Step Down Diffuser (20 ton)	RXRN-AED2348	405 [183.9]	385 [174.8]	No
Concentric Step Down Diffuser (25 ton)	RXRN-AED2852	410 [186.1]	390 [177.1]	No
Concentric Adapter/Transition (15 & 17.5 ton)	RXMC-GG01	468 [212.5]	450 [204.3]	No
Concentric Adapter/Transition (20 ton)	RXMC-GG02	468 [212.5]	450 [204.3]	No
Concentric Adapter/Transition (25 ton)	RXMC-GG03	468 [212.5]	450 [204.3]	No
Outdoor Coil Louver Kit	RXXR-LKG01	94.5 [42.9]	90 [40.9]	No
Non-Powered Convenience Outlet	RXXR-BN01	2.2 [1]	2 [0.9]	No
Unfused Service Disconnect	RXXR-BPG1	12 [5.4]	10 [4.5]	No
Comfort Alert (3 phase) Non-DDC	RXXR-AZG1	1 [0.5]	1 [0.5]	No
Comfort Alert (3 Phase) DDC	RXXR-AZG2	1 [0.5]	1 [0.5]	No
Carbon Dioxide Sensor (Wall Mount)	RXXR-AR02	1 [0.5]	1 [0.5]	No
BACnet Communicator Card	RXXR-AY01	1 [0.5]	1 [0.5]	No
LonWorks Communication Card	RXXR-AY02	1 [0.5]	1 [0.5]	No

[ ] Designates Metric Conversions

**FIELD-INSTALLED ACCESSORY EQUIPMENT (Con't.)**

Accessory		Model Number	Shipping Weight Lbs. [kg]	Installed Weight Lbs. [kg]	Factory Installation Available?
Freeze Stat Kit		RXXR-AM05	1 [0.5]	1 [0.5]	Yes
Return Smoke Detector (Downflow/Vertical)		RXXR-BSG1	7 [3.2]	6 [2.7]	Yes
Return Smoke Detector (Horizontal)		RXXR-BSG2	7 [3.2]	6 [2.7]	Yes
Return/Supply Smoke Detector (Downflow/Vertical)		RXXR-BSG3	10 [4.5]	9 [4.1]	Yes
Return/Supply Smoke Detector (Horizontal)		RXXR-BSG4	10 [4.5]	9 [4.1]	Yes
Electric Heater Kits (with Single Point Wiring)	18 kW 208 - 230 V	RXJJ-G18KWC	68 [30.9]	173 [78.5]	Yes
	18 kW 460 V	RXJJ-G18KWD	68 [30.9]	173 [78.5]	Yes
	18 kW 575 V	RXJJ-G18KWY	68 [30.9]	173 [78.5]	Yes
	36 kW 208 - 230 V	RXJJ-G36KWC	71 [32.2]	176 [79.9]	Yes
	36 kW 460 V	RXJJ-G36KWD	68 [30.9]	173 [78.5]	Yes
	36 kW 575 V	RXJJ-G36KWY	68 [30.9]	173 [78.5]	Yes
	54 kW 208 - 230 V	RXJJ-G54KWC	75 [34.1]	180 [81.7]	Yes
	54 kW 460 V	RXJJ-G54KWD	71 [32.2]	176 [79.9]	Yes
	54 kW 575 V	RXJJ-G54KWY	71 [32.2]	176 [79.9]	Yes
	72 kW 208 - 230 V	RXJJ-G72KWC	75 [34.1]	180 [81.7]	Yes
	72 kW 460 V	RXJJ-G72KWD	71 [32.2]	176 [79.9]	Yes
	72 kW 575 V	RXJJ-G72KWY	71 [32.2]	176 [79.9]	Yes
MERV 8 Filter		RXMF-M08A22420	8 [3.6]	7 [3.2]	No
MERV 13 Filter		RXMF-M13A22420	8 [3.6]	7 [3.2]	No

[ ] Designates Metric Conversions

**Guide Specifications RACG 180-300**

You may copy this document directly into your building specification. This specification is written to comply with the 2016 version of the “master format” as published by the Construction Specification Institute. [www.csinet.org](http://www.csinet.org).

**ELECTRIC HEAT PACKAGED ROOFTOP****HVAC Guide Specifications**

**Size Range: 15 to 25 Nominal Tons**

**Section Description****23 06 80 Schedules for Decentralized HVAC Equipment****23 06 80.13 Decentralized Unitary HVAC Equipment Schedule**

## 23 06 80.13.A. Rooftop unit schedule

1. Schedule is per the project specification requirements.

**23 07 16 HVAC Equipment Insulation**

## 23 07 16.00.A. Evaporator fan compartment:

1. Interior cabinet surfaces shall be insulated with a minimum 3/4-in. thick, minimum 1-1/2 LB density, flexible fiberglass insulation bonded with a phenolic binder, with aluminum foil facing on the air side.
2. Insulation and adhesive shall meet NFPA 90A requirements for flame spread and smoke generation.
3. Insulation shall also be mechanically fastened with welded pin and retainer washer.

**23 09 13 Instrumentation and Control Devices for HVAC****23 09 13.23 Sensors and Transmitters:**

## 23 09 13.23.A. Thermostats

1. Thermostat must
  - a. Energize both “W” and “G” when calling for heat.
  - b. Have capability to energize 2 different stage of cooling, and 2 stage of heating.
  - c. Must include capability for occupancy scheduling.

**23 09 33 Direct-Digital Control System for HVAC****23 09 23.13 Decentralized, Rooftop Units:**

## 23 09 23.00.A. RTU-C controller

1. Shall be ASHRAE 62-2001 compliant.
2. Shall accept 18-32VAC input power.
3. Shall have an operating temperature range from -40°F (-40°C) to 125°F (52°C), 10%– 95% RH (non-condensing).
4. Controller shall accept the following inputs: space temperature, setpoint adjustment, outdoor air temperature, indoor air quality, outdoor air enthalpy, fire shutdown, return air enthalpy, fan status, remote time clock/door switch.
5. Shall accept a CO<sub>2</sub> sensor in the conditioned space and be Demand Control Ventilation (DCV) ready.
6. Shall provide the following outputs: Economizer, fan, cooling stage 1, cooling stage 2, heat stage 1, heat stage 2, exhaust, occupied.
7. Unit shall provide surge protection for the controller through a circuit breaker.
8. Shall have a field installed communication card allowing the unit to be able to communicate at a Baud rate of 19.2K or faster.
9. Shall have an LED display independently showing the status of activity on the communication bus, and processor operation.
10. Optional field installed BACnet® plug-in communication card which includes an EIA-485 protocol communication port, or an optional field installed LonWorks™ plug-in communications card.
11. Software upgrades will be accomplished by local download. Software upgrades through chip replacements are not allowed.
12. Shall be shock resistant in all planes to 5G peak, 11ms during operation, and 100G peak, 11ms during storage.
13. Shall be vibration resistant in all planes to 1.5G @ 20-300 Hz.
14. Shall support a bus length of 4000 ft max, 60 devices per 1000 ft section, and 1 RS-485 repeater per 1000 ft sections.
15. Unit shall be compatible with a programmable 24 volt thermostat.
16. Unit shall be compatible with a zone sensor and a mechanical or solid state time clock connected to the RTU-C.

## 23 09 33.00.B. Open protocol, direct digital controller:

1. Shall be ASHRAE 62-2001 compliant.
2. Shall accept 18-30VAC, 50-60Hz, and consumer 15VA or less power.
3. Shall have an operating temperature range from -40°F (-40°C) to 125°F (52°C), 10% - 90% RH (non-condensing).
4. Shall be natively equipped with Modbus
5. Shall have either a field installed BACnet® plug-in communication card which includes an EIA-485 protocol communication port, or a field installed LonWorks™ plug-in communications card.
6. The BACnet® plug in communication card shall include built-in protocol for BACNET (MS/TP and PTP modes)

7. The LonWorks™ plug in communication card shall include the Echelon processor required for all Lon applications.
8. Shall allow access of up to 62 network variables (SNVT). Shall be compatible with all open controllers
9. Baud rate Controller shall be selectable through the EIA-485 protocol communication port.
10. Shall have an LED display independently showing the status of serial communication, running, errors, power, all digital outputs, and all analog inputs.
10. Shall accept the following inputs: space temperature, setpoint adjustment, outdoor air temperature, indoor air quality, outdoor air enthalpy, compressor lock-out, fire shutdown, enthalpy switch, and fan status/filter status/ humidity/ remote occupancy.
11. Shall provide the following outputs: economizer, fan, cooling stage 1, cooling stage 2, heat stage 1, heat stage 2, exhaust.
12. Software upgrades will be accomplished by either local or remote download. No software upgrades through chip replacements are allowed.

**23 09 33 Electric and Electronic Control System for HVAC**

**23 09 33.00 Decentralized, Rooftop Units:**

23 09 33.00.A. General:

1. Shall be complete with self-contained low-voltage control circuit protected by a fuse on the 24-V transformer side. Transformer shall have 100VA capabilities.
2. Shall utilize color-coded wiring.
3. Unit shall include a minimum of one 8-pin screw terminal connection board for connection of control wiring.
4. Unit control board shall be provided with 7 segment readout via LCD display for status and diagnostics.
5. Shall include a central control terminal board to provide connection points conveniently and safely for vital control functions such as: smoke detectors, phase monitor, economizer, thermostat, DDC control options, loss of charge, freeze sensor, high pressure switches.

23 09 33.00.B. Safeties:

1. Compressor over-temperature, over current.
2. Standard Low-pressure switch.
  - a. Units shall have low pressure, loss of charge automatic reset device that will shut off compressor when tripped.
  - b. Low pressure control:
    - Provides active protection in both heating and cooling modes at all outdoor ambient temperatures. The low pressure control is an automatic reset type and opens at approximately 15 psig and closes at approximately 40 psig. Operation is slightly different between cooling and heating modes.
3. Standard High-pressure switch.
  - a. Unit shall be equipped with high pressure switch device that will shut off compressor when tripped.
  - b. High Pressure control:
    - The high pressure control is an automatic reset type and opens at approximately 610 psig and closes at approximately 420 psig. The compressor and fan motor will stop when the high pressure control opens and will start again if the high side pressure drops to approximately 420 psig where the automatic reset high pressure control resets. If the high pressure control opens 3 times within a particular call for heating or cooling operation, the defrost control will lock out compressor and outdoor fan operation.
4. Freeze protection sensor comes standard on DDC models and is available as an option for Non-DDC models.
5. Automatic reset, motor thermal overload protector.

**23 09 93 Sequence of Operations for HVAC Controls**

**23 09 93.00 INSERT SEQUENCE OF OPERATION**

**23 41 13 Panel Air Filters**

23 41 13.00.A. Standard filter section

1. Consist of factory-installed, low velocity, throwaway 2-in. thick fiberglass filters of commercially available sizes.
2. Unit will accept only 2-in. filters.
3. Filter face velocity shall not exceed 465 fpm at nominal airflows.
4. Filters shall be accessible through an access panel as described in the unit cabinet of the specification (23 81 19.13.H).

**23 81 19 Self-Contained Air Conditioners**

**23 81 19.13 Small Capacity Self-Contained Air Conditioners**

23 81 19.13.A. General

1. Outdoor, rooftop mounted, electrically controlled, heating and cooling unit utilizing two hermetic scroll compressor(s) for cooling duty.
2. Factory assembled, single-piece heating and cooling rooftop unit. Contained within the unit enclosure shall be all factory wiring, piping, controls, and special features required prior to field start-up.

3. Unit shall use environmentally safe, R410A refrigerant.
4. Unit must be selected and installed in compliance with local, state, and federal codes.
5. Unit shall be installed in accordance with the manufacturer's instructions.
6. Model and serial data shall be reprinted inside the control box.

23 81 19.13.B. Quality Assurance

1. Unit meets ASHRAE 90.1 2019 minimum efficiency requirements.
2. Unit shall be rated in accordance with AHRI Standards 340/360.
3. Unit shall be designed to conform to ASHRAE 15.
4. Unit shall be UL-tested and certified in accordance with ANSI Standards and UL-listed and certified under Canadian standards as a total package for safety requirements.
5. Insulation and adhesive shall meet NFPA 90A requirements for flame spread and smoke generation.
6. Unit casing shall be capable of withstanding 500-hour salt spray exposure per ASTM B117 (scribed specimen).
7. Unit shall be designed in accordance with ISO 9001:2015 and shall be manufactured in a facility registered by ISO 9001:2015.
8. Roof curb shall be designed to conform to NRCA Standards.
9. Unit shall be subjected to an automated run test on the assembly line. The data for each unit will be stored at the factory and must be available upon request.
10. Unit shall be designed in accordance with UL Standard 1995, Fifth Ed. including tested to withstand rain.
11. Unit shall be constructed to prevent intrusion of snow and tested to prevent snow intrusion into the control box up to 40 mph.
12. One (1) year warranty for 3 phase, commercial application parts

23 81 19.13.C. Delivery, Storage, and Handling

1. Unit shall be stored and handled per manufacturer's recommendations.
2. Lifted by crane requires either shipping top panel or spreader bars.
3. Unit shall only be stored or positioned in the upright position.
4. Plastic bumpers for handling and protection of unit during transportation and storage.

23 81 19.13.E. Project Conditions

1. As specified in the contract.

23 81 19.13.F. Operating Characteristics

1. Unit shall be capable of starting and running at 125°F (52°C) ambient outdoor temperature, meeting maximum load criteria of AHRI Standard 340/360 at ± 10% voltage.
2. Compressor with standard controls shall be capable of operation down to 50°F (10°C), ambient outdoor temperatures. Low ambient accessory kit is necessary if mechanically cooling at ambient temperatures to 0°F (-17.7°C).
3. Unit shall discharge supply air vertically or horizontally as shown on contract drawings.
4. Unit shall be shipped with both horizontal and vertical openings covered with insulated panels.
5. Unit shall be field convertible from vertical to horizontal configuration.
6. Unit shall have two vertical return openings to accommodate multiple curb configuration options [only one shall be utilized].

23 81 19.13.G. Electrical Requirements

1. Main power supply voltage, phase, and frequency must match those required by the manufacturer.

23 81 19.13.H. Unit Cabinet

1. Unit cabinet shall be constructed of galvanized steel.
2. Unit cabinet exterior paint shall be: topcoat primer and paint .20 and .70 MIL dry fil thickness.
3. The sheet-metal cabinet shall be constructed of 18-gauge material for structural components with an underlying coat of G90.
4. Evaporator fan compartment interior cabinet insulation shall conform to AHRI Standards 340/360 minimum exterior sweat criteria. Interior surfaces shall be insulated with a minimum 1/2-in. thick, 1.6 lb density, flexible fiberglass insulation, foil faced on the air side.
5. Shall utilize uniform screw sizing.
6. Base of unit shall have a location for thru-the-base electrical connections (factory installed or field installed), standard.
7. Base Rail
  - a. Unit shall have base rails on a minimum of all sides.
  - b. Holes shall be provided in the base rails for rigging shackles to facilitate maneuvering and overhead rigging.
  - c. Holes shall be provided in the base rail for moving the rooftop for fork truck.
  - d. Base rail shall be a minimum of 14 gauge thickness.



8. Condensate pan and connections:
    - a. Shall be a sloped condensate drain pan made of a non-corrosive material and be removable for cleaning and maintenance.
    - b. Shall comply with ASHRAE Standard 62.
    - c. Shall use a 1" NPT drain connection, possible either through the bottom or side of the drain pan. Connection shall be made per manufacturer's recommendations.
    - d. Shall be able to slide out completely.
    - e. Shall be separate from the coil.
  9. Standard factory installed condensate overflow sensor
  10. Top panel:
    - a. Shall be a single piece top panel over indoor section.
  11. Electrical Connections:
    - a. All unit power wiring shall enter unit cabinet a single, factory-prepared, knockout location.
    - b. Thru-the-base capability
      - i. Standard unit shall have a thru-the-base electrical location(s) using a raised, continuous raised flange opening in the base pan.
      - ii. No base pan penetration, other than those authorized by the manufacturer, is permitted.
    - c. Factory standard phase-monitor comes standard on No- DDC models and is available as an option for DDC models.
  12. Component access panels (standard)
    - a. Cabinet panels shall be easily opened for servicing.
    - b. Stainless steel metal hinges are optional on all doors.
    - c. Panels covering control box, indoor fan, indoor fan motor, gas components (where applicable), and filters shall have hinges with 1/4 turn fasteners on units with factory-installed hinged option.
- 23 81 19.13.J. Coils
1. Standard Aluminum/MicroChannel Coils:
    - a. Standard evaporator and condenser coils shall be aluminum.
    - b. MicroChannel intertwined coils for both evaporator and condenser coils.
    - c. Evaporator and condenser coils shall be leak tested to 150 psig, pressure tested to 400 psig, and qualified to burst test at 1,800 psi.
  - a. The Core Command board shall notify users of fault using two 7 segment displays.
- 23 81 19.13.K. Refrigerant Components
1. Refrigerant circuit shall include the following control, safety, and maintenance features:
    - a. TXV metering system shall prevent mal-distribution of two-phase refrigerant.
    - b. Thermal Expansion Valve (TXV).
    - c. Refrigerant filter drier.
    - d. Service gauge connections on suction, liquid and discharge lines.
    - e. Access panels can be removed without disrupting condenser air flow.
  2. Compressors
    - a. Unit shall use two fully hermetic scroll compressor.
    - b. Compressor motors shall be cooled by refrigerant gas passing through motor windings.
    - c. Compressors shall be internally protected from high discharge temperature conditions.
    - d. Compressors shall be protected from an over-temperature and over-amperage conditions by an internal, motor overload device.
    - e. Compressor shall be factory mounted on rubber grommets.
    - f. Compressor motors shall have internal line break thermal and current overload and high pressure differential protection.
    - g. Crankcase heaters shall not be required for normal operating range.
    - h. Compressor lockout sensor on the unit controller is factory set at 35°F and is adjustable from 30°F (-1°C) to 50°F (10°C) and resets the cooling lockout at 5°F (+2.7°C) above the set point.
- 23 81 19.13.L. Filter Section
1. Filters access is specified in the unit cabinet section of this specification.
  2. Filters shall be held in place by a sliding filter tray, facilitating easy removal and installation.
  3. Shall consist of factory-installed, low velocity, throw-away 2-in. thick fiberglass filters.

4. Filter face velocity shall not exceed 365 fpm at nominal airflows.
5. Filters shall be standard, commercially available sizes.
6. Only one size filter per unit is allowed.

#### 23 81 19.13.M. Evaporator Fan and Motor

1. Evaporator fan motor:
  - a. Shall have permanently lubricated bearings.
  - b. Shall have inherent automatic-reset thermal overload protection or circuit breaker.
  - c. Shall have a maximum continuous bhp rating for continuous duty operation; no safety factors above that rating shall be required.
2. Belt-driven Evaporator Fan:
  - a. Belt drive shall include an adjustable-pitch motor pulley.
  - b. Shall use sealed, permanently lubricated ball-bearing type.
  - c. Blower fan shall be double-inlet type with forward curved blades.
  - d. Shall be constructed from steel with a corrosion resistant finish and dynamically balanced.
3. Blower Assembly
  - a. Entire assembly shall be able to slide out completely including VFD, two blowers, and motor.
  - b. Shall be able to slide-out without the removal of the roof and condenser fan motors.

#### 23 81 19.13.N. Condenser Fans and Motors

1. Condenser fan motors:
  - a. Shall be a totally enclosed motor.
  - b. Shall use permanently lubricated bearings.
  - c. Shall have inherent thermal overload protection with an automatic reset feature.
  - d. Shall use a shaft-up design.
2. Condenser Fans shall:
  - a. Shall be a direct-driven propeller type fan.
  - b. Shall have blades riveted to corrosion-resistant steel spiders and shall be dynamically balanced.

#### 23 81 19.13.O. Special Features

1. Integrated Economizers:
  - a. Integrated, gear-driven parallel modulating blade design type capable of simultaneous economizer and compressor operation.
  - b. Independent modules for vertical or horizontal return configurations shall be available. Vertical return modules shall be available as a factory installed option.
  - c. Damper blades shall be galvanized steel with metal gears. Plastic or composite blades on intake or return shall not be acceptable.
  - d. Shall include all hardware and controls to provide free cooling with outdoor air when temperature and/or humidity are below setpoints.
  - e. Shall be equipped with gear driven dampers for both the outdoor ventilation air and the return air for positive air stream control.
  - f. Shall be equipped with low-leakage dampers, not to exceed 2% leakage at 1 in. wg pressure differential.
  - g. Shall be capable of introducing up to 100% outdoor air.
  - h. Shall be equipped with a barometric relief damper capable of relieving up to 35% return air, depending on the airflow.
  - i. Shall be designed to close damper(s) during loss-of-power situations with spring return built into motor.
  - j. Enthalpy sensor shall be provided as standard. Outdoor air sensor set point shall be adjustable and shall range from 40 to 100°F / 4 to 38°C. Additional sensor options shall be available as accessories.
  - k. The economizer controller shall also provide control of an accessory power exhaust unit function. Factory set at 70%, with a range of 0% to 100%.
  - l. The economizer shall maintain minimum airflow into the building during occupied period and provide design ventilation rate for full occupancy. A remote potentiometer may be used to override the damper set point.
  - m. Dampers shall be completely closed when the unit is in the unoccupied mode.
  - n. Economizer controller shall accept a 2-10Vdc CO<sub>2</sub> sensor input for IAQ/DCV control. In this mode, dampers shall modulate the outdoor-air damper to provide ventilation based on the sensor input.
  - o. Actuator shall be directly coupled to economizer gear. No linkage arms or control rods shall be acceptable.

- p. Economizer controller shall provide indications when in free cooling mode, in the DCV mode, or the exhaust fan contact is closed.
- q. Economizer wire harness will have provision for smoke detector available in supply and return options.
- 2. Two-Position Motorized Damper
  - a. Damper shall be a Two-Position Motorized Damper. Damper travel shall be from the full closed position to the field adjustable %-open setpoint.
  - b. Damper shall include adjustable damper travel from 25% to 100% (full open).
  - c. Damper shall include single or dual blade, gear driven dampers and actuator motor.
  - d. Actuator shall be directly coupled to damper gear. No linkage arms or control rods shall be acceptable.
  - e. Damper will admit up to 100% outdoor air for applicable rooftop units.
  - f. Damper shall close upon indoor (evaporator) fan shutoff and/or loss of power.
  - g. The damper actuator shall plug into the rooftop unit's wiring harness plug. No hard wiring shall be required.
  - h. Outside air hood shall include aluminum water entrainment filter.
- 3. Manual damper
  - a. Manual damper package shall consist of damper, air inlet screen, and rain hood which can be preset to admit up to 50% outdoor air for year round ventilation.
- 4. Condenser Coil Hail Guard Assembly
  - a. Shall protect against damage from hail.
  - b. Shall be louvered style.
- 5. Convenience Outlet:
  - a. Non-Powered convenience outlet.
  - b. Outlet shall be powered from a separate 115-120v power source.
  - c. A transformer shall not be included.
  - d. Outlet shall be field-installed and internally mounted with easily accessible 115-v female receptacle.
  - e. Outlet shall include 15 amp GFI receptacle with independent fuse protection.
  - f. Outlet shall be accessible from outside the unit.
- 6. Propeller Power Exhaust:
  - a. Power exhaust shall be used in conjunction with an integrated economizer.
  - b. Configurable for vertical or horizontal installation.
  - c. Horizontal power exhaust shall be mounted in return ductwork.
  - d. Power exhaust shall be controlled by economizer controller operation. Exhaust fans shall be energized when dampers open past the 0-100% adjustable setpoint on the economizer control.
  - e. Capable of constant volume.
- 7. Roof Curbs (Vertical):
  - a. Formed galvanized steel with wood nailer strip and shall be capable of supporting entire unit weight.
  - b. Permits installation and securing of ductwork to curb prior to mounting unit on the curb.
  - c. Shall be available in heights of 14", 18", and 24".
- 8. Outdoor Air Enthalpy Sensor:
  - a. The outdoor air enthalpy sensor shall be used to provide single enthalpy control. When used in conjunction with a return air enthalpy sensor, the unit will provide differential enthalpy control. The sensor allows the unit to determine if outside air is suitable for free cooling.
- 9. Return Air Enthalpy Sensor:
  - a. The return air enthalpy sensor shall be used in conjunction with an outdoor air enthalpy sensor to provide differential enthalpy control.
- 10. Indoor Air Quality (CO<sub>2</sub>) Sensor:
  - a. Shall be able to provide demand ventilation indoor air quality (IAQ) control.
  - b. The IAQ sensor shall be available in duct mount, wall mount, or wall mount with LED display. The set point shall have adjustment capability.
- 11. Smoke detectors:
  - a. Shall be a Four-Wire Controller and Detector.
  - b. Shall be environmental compensated with differential sensing for reliable, stable, and drift-free sensitivity.
  - c. Shall use magnet-activated test/reset sensor switches.
  - d. Shall have tool-less connection terminal access.

- e. Shall have a recessed momentary switch for testing and resetting the detector.
- f. Controller shall include:
  - One set of normally open alarm initiation contacts for connection to an initiating device circuit on a fire alarm control panel.
  - Two Form-C auxiliary alarm relays for interface with rooftop unit or other equipment.
  - One Form-C supervision (trouble) relay to control the operation of the Trouble LED on a remote test/reset station
  - Capable of direct connection to two individual detector modules.
  - Can be wired to up to 14 other duct smoke detectors for multiple fan shutdown applications.

12. Electric Heat:

a. Heating Section

- Heater element open coil resistance wire, nickel-chrome alloy, strung through ceramic insulators mounted on metal frame. Coil ends are staked and welded to terminal screw slots.
- Heater assemblies are provided with integral fusing for protection of internal heater circuits not exceeding 48 amps each. Auto reset thermo limit controls, magnetic heater contactors (24 v coil) and terminal block all mounted in electric heater control box (minimum 18 ga galvanized steel) attached to end of heater assembly.

26 29 23.12. Adjustable Frequency Drive

1. Unit shall be supplied with an electronic variable frequency drive for the supply air fan.
2. Drive shall be factory installed in an enclosed cabinet.
3. Drive shall meet UL Standard 95-5V.
4. The completed unit assembly shall be UL listed.
5. Drives are to be accessible through an access panel (optional hinged doors).
6. The unit manufacturer shall install all power and control wiring.
7. The supply air fan drive output shall be controlled by the factory installed main unit control system and drive status and operating speed shall be monitored and displayed at the blower.
8. Drive shall be programmed and factory run tested in the unit.
9. VFD shall be modular and designed for easy disconnect via wiring harness.

**BEFORE PURCHASING THIS APPLIANCE, READ IMPORTANT ENERGY COST AND EFFICIENCY INFORMATION AVAILABLE FROM YOUR RETAILER.**

**GENERAL TERMS OF LIMITED WARRANTY\***

Russell® by Rheem will furnish a replacement for any part of this product which fails in normal use and service within the applicable periods stated, in accordance with the terms of the limited warranty.

**\*For complete details of the Limited and Conditional Warranties, including applicable terms and conditions, contact your local contractor or the Manufacturer for a copy of the product warranty certificate.**

<b>Parts</b>	
3 Phase, Commercial Applications	One (1) Year
<b>Compressor</b>	
3 Phase, Commercial Applications .....	Five (5) Year









© 2023 Rheem Manufacturing Company. Russell By Rheem trademarks owned by Rheem Manufacturing Company.

In keeping with its policy of continuous progress and product improvement, Russell by Rheem reserves the right to make changes without notice.



**Russell® By Rheem**

5600 Old Greenwood Road, Fort Smith, AR 72908

**Before proceeding with installation, refer to installation instructions packaged with each model, as well as complying with all Federal, State, Provincial, and Local codes, regulations, and practices.**

PRINTED IN U.S.A. 3/23 QG FORM NO. SRR-993