



The new degree of comfort.®

# Rheem® RTG Series High Efficiency Non-Condensing Tankless Gas Water Heaters

## Easy Installation

- **Industry Leading!** 43' vent run capability
- Enhanced design up to 10% smaller to fit in even more places than before
- Enhanced design up to 22% lighter making one-person installs even easier

## Ready for Retrofits

- **Industry Best!** 1/2" side to side clearance allows you to safely work in spaces the competition can't
- 1/2" Gas line compatibility up to 24 ft (subject to local code)

- Universal Venting Compatibility with UBBINK, Metal Fab, and Rainbow venting for easier tankless to tankless replacements

## Key Features

- **Rheem® Exclusive!** Hot-start Programming™ ensures the unit is in a ready state between back-to-back usage, minimizing any cold water bursts
- Built-in EcoNet® Wi-Fi technology for direct control from your device (on select models)
- LeakGuard® – All-inclusive leak detection and prevention system that detects any leak that comes from the unit (on indoor Wi-Fi models)

## Specifications

Rheem Model Number	INDOOR			OUTDOOR			
	RTG-70DVLN-3	RTG-84DVLN-3	RTG-95DVLN-3	RTG-70XLN-3	RTG-84XLN-3	RTG-95XLN-3	
<b>Built-in LeakGuard™ Model Number</b>			<b>RTG-95DVELN-3 (Wi-Fi Model)</b>			<b>RTG-95XELN-3 (Wi-Fi Model)</b>	
<b>Gas Input Rate (BTU/h)</b>	<b>MAX</b>	160,000	180,000	199,900	160,000	180,000	199,900
	<b>MIN</b>	11,000	11,000	11,000	11,000	11,000	11,000
<b>Uniform Energy Factor (UEF)</b>	0.82						
<b>Hot Water Flow Rate Capacity – Gallons Per Minute (GPM)</b>	<b>MAX (35°F)</b>	7.0	8.4	9.5	7.0	8.4	9.5
	<b>45°F Rise</b>	6.0	6.7	7.4	6.0	6.7	7.4
	<b>67°F Rise</b>	4.1	4.5	5.0	4.1	4.5	5.0
<b>Number of Bathrooms<sup>1</sup></b>	2-3	3	3-4	2-3	3	3-4	
<b>Temp. Range</b>	100°F - 140°F						
<b>Temp. Setting from Factory</b>	120°F						
<b>High Temp. Upgrade Available</b>	No						
<b>Freeze Protection</b>	-30°F Air Intake <sup>2</sup> , -4°F Ambient						
<b>Heat Exchanger Material</b>	Primary: Copper						
<b>Minimum Activation Flow</b>	0.4 GPM						
<b>Minimum Continuous Flow</b>	0.26 GPM						
<b>Maximum Altitude</b>	7,800 ft.						
<b>Ultra Low NOx</b>	Meets 14 ng/J NOx requirements - SCAQMD Rule 1146.2 compliant						
<b>Warranty</b>	15 Year Heat Exchanger   5-Year Parts   1-Year Labor						
<b>Height</b>	24.2"			20.75"			
<b>Width</b>	13.5"			13.5"			
<b>Depth</b>	10.27"			9.4"			
<b>Weight (Lbs.)</b>	46.5			42			
<b>Venting Diam. Allowed</b>	3" by 5" CONCENTRIC			N/A			
<b>Max. Single Vent Run (straight pipe)</b>	43 ft.			N/A			
<b>Approved Venting Manufacturer</b>	Metal Fab, Rainbow, UBBINK						
<b>Manifold Controls (max. units)</b>	6 Units <sup>3</sup>						
<b>Controls</b>	Built-in digital display			External Remote (Included)			
<b>Power Supply</b>	120V 60Hz						
<b>Max. Power Consumption</b>	85W (Normal use), 0.7 Amps 132W (Antifreeze), 1.1 Amps 3.5W (Standby), 0.03 Amps <sup>4</sup>						
<b>Gas Connection</b>	3/4" NPT						
<b>Hot Water Connection</b>	3/4" NPT						
<b>Cold Water Connection</b>	3/4" NPT						

All models are available in Natural Gas or Propane (LP). For Propane replace the N with P for LP model.



Indoor DV

Outdoor

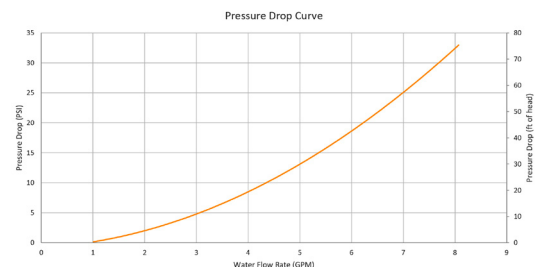
## RTG Series Models

Indoor & Outdoor Models  
11,000-199,900 BTU/h  
Natural Gas and  
Liquid Propane Models\*

\*Swap P for N in model number for Liquid Propane model



Clearances	
<b>Top / Bottom</b>	12"
<b>Front</b>	1/2" <sup>5</sup>
<b>Sides</b>	1/2"
<b>Back / From Vent Pipe</b>	0"



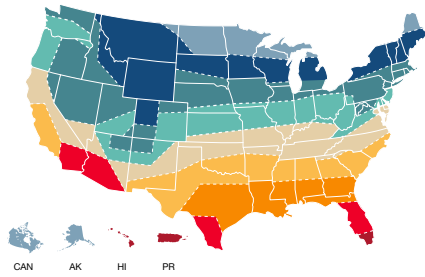
<sup>1</sup> Based on simultaneous showers using 2.0 GPM flow rate pre-mixed with cold water line. Flow rates vary depending on temperature of incoming cold water and water heater set temperature. Refer to 9 zone ground water temperature map for accurate sizing. <sup>2</sup> For indoor application, this is the temperature of outdoor intake air. <sup>3</sup> Manifolds with standard RJ11 communication cables. <sup>4</sup> If anti freeze is on and combustion is on, total W will be 217W (85+132). <sup>5</sup> Recommended 24" clearance for service.





The new degree of comfort.®

## U.S. Ground Water Temperature Zone Map



### Average Flow Rates (GPM) by Application

Low Flow Faucet	0.5
Bathroom Faucet	1
Kitchen Faucet	1.5
Shower	2
Dishwasher	2
Washing Machine	3

Flow rates may vary.

## Flow Rate Capacity Table by Zone (Gallons Per Minute - GPM)

Use the U.S. Ground Water Temperature Map to locate your zone. Then use the Flow Rate Capacity Table to determine model flow rate by zone. Flow rates calculated for tankless set temperature of 120°F with a mixed shower temperature of 105°F. Ground water temperatures vary seasonally.

MODEL #	Zone 1 37°F	Zone 2 42°F	Zone 3 47°F	Zone 4 52°F	Zone 5 57°F	Zone 6 62°F	Zone 7 67°F	Zone 8 72°F	Zone 9 77°F
RTG-95	4.0	4.3	4.6	4.9	5.3	5.7	6.3	6.9	7.7
RTG-84	3.6	3.8	4.1	4.4	4.8	5.2	5.7	6.3	7.0
RTG-70	3.2	3.4	3.7	3.9	4.2	4.6	5.0	5.6	6.2

## Venting

SINGLE UNIT: MAX. EQUIVALENT VENT LENGTHS - STRAIGHT PIPE	
Number of 90° Elbows	Max Length 3" / 5" straight pipe
0	43 ft. (13.1 m)
1	41.5 ft. (12.6 m)
2	38.5 ft. (12.2 m)
3	34 ft. (11.7 m)
4	28 ft. (11.3 m)
5	20.5 ft. (10.8 m)
6	11.5 ft. (10.4 m)

Min. Vent Length Straight Pipe	
Number of 90° Elbows	Min. Length 3" / 5" pipe
1	1.0 ft (0.3 m)

Equivalent Ft. of Elbows	
	3" / 5"
90° Elbow	1.6 ft.
45° Elbow	9 in.

Venting Materials Allowed: 3-in./5-in. (7.6-cm/12.7-cm) UL-approved Category III Stainless Steel vent materials or water heater manufacturer-approved vent material (MetalFab, UBBINK, and Rainbow)

Hanging bracket is included with water heater.

## Parts & Accessories

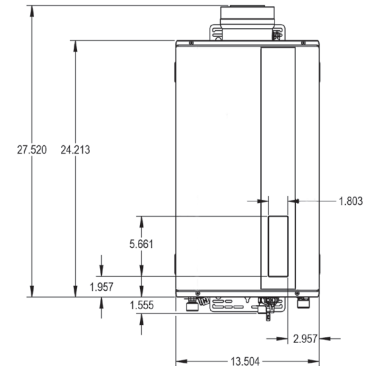
Recirculation Pump	Pipe Cover	Horizontal Vent Termination Twin Pipe System	Concentric Vent Termination Twin Pipe System	AllClear® Water Treatment System	Isolation Valve Kit	Manifold Cables
AP17920	RTG20330AJ	RTG20231-2	RTG20211	RTG20251	RTG20326	RCPN-AMP03-001311101-0003 (48")

In keeping with its policy of continuous progress and product improvement, Rheem reserves the right to make changes without notice.

Rheem Water Heating • 1115 Northmeadow Parkway, Suite 100  
Roswell, Georgia 30076 • www.rheem.com

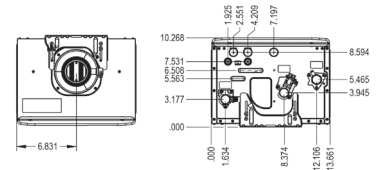
Rheem Canada Ltd./Ltée • 125 Edgeware Road, Unit 1  
Brampton, Ontario L6Y 0P5 • www.rheem.ca

## INDOOR DIRECT VENT

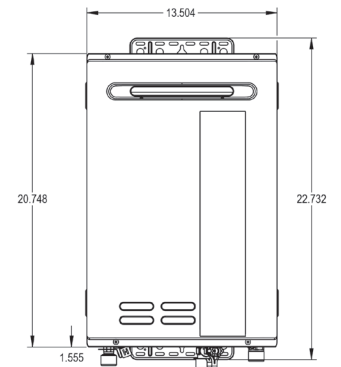


TOP VIEW

BOTTOM VIEW

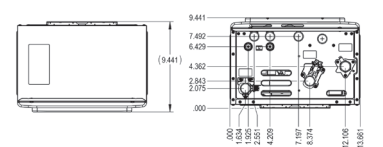


## OUTDOOR



TOP VIEW

BOTTOM VIEW



INTEGRATED HOME COMFORT