



The new degree of comfort®



Commercial Gas
Common Venting
Tankless Water Heaters

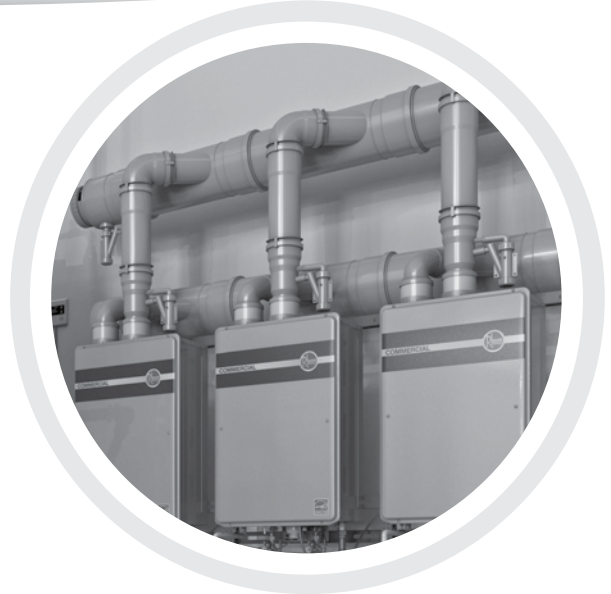
Common Venting For Rheem® Commercial Tankless Natural Gas Water Heaters

Overview

Rheem offers a manufacturer tested and UL/ULC listed common venting system providing longer lengths and fewer wall penetrations than single-unit venting. The system is polypropylene stabilized (PPs) material and Intertek certified for UL -1738 and ULC-S636 and manufactured by CentroTherm EcoSystems in the USA. Venting pieces are self-locking and sealing and can be pushed together without the use of cement or glue.

The common vent system is CSA certified (ANI Z21.10.3, Gas Water Heaters Standards) for use with up to 10 units of the following Rheem high efficiency, natural gas tankless water heaters; RTGH-C95DVLN and RTGH-CM95DVLN.

All common venting configurations tested to 8,400 ft.



Common Vent System Characteristics

PROPERTY:	STANDARD:	RESULTS:	
Materials & Construction			
Low Temperature Handling	UL-1738	Pass at -4°F (-20°C)	
U.V. Stability	ASTM G23-81	Pass	
Water Absorption	UL-1738	.22%	
Common Vent Diameter	CE EN-14471	6" (160mm) 8" (200mm) 10" (250mm)	
Wall Thickness	10" (250mm) 8" (200mm)	CE EN-14471	Min. Thickness: .1024" (2.6mm) Max. Thickness: .1969" (5.0mm)
	6" (160mm)	CE EN-14471	Min. Thickness: .1024" (2.6mm) Max. Thickness: .1772" (4.5mm)
Deflection Temperature Under Load	ASTM D648-86	302°F (150°C)	
Flammability	UL-94	V-0	
Performance			
Max. Flue Gas Temperature	UL-1738 & ULC-S636 CE EN-14471	230°F (110°C) 248°F (120°C)	
Clearance to Combustibles	UL-1738 & ULC-S636	0" (0mm) at 230°F (110°C)	
Leakage	UL-1738	Pass	
Pressure	UL-1738	12.5 kPa	
Pull	UL-1738 & ULC-S636	Min. 101 lb. force (.45kN)	
Flame Spread & Smoke	UL-723, ULC-S102 & ASTM E-84	<25/<50 w/CES recommended wrap	
Fire Rating	UL-1479, ULC-S115 & ASTM E-814	2hr Fire Rating w/CES recommended passive fire protection system	

Maximum Vent Length (air intake and exhaust) each:

NUMBER OF WATER HEATERS	6" COMMON VENT	8" COMMON VENT	10" COMMON VENT
2	70' (21 m)	100' (30 m)	100' (30 m)
3	50' (15 m)	100' (30 m)	100' (30 m)
4	40' (12 m)	100' (30 m)	100' (30 m)
5	N/A	100' (30 m)	100' (30 m)
6	N/A	78' (24 m)	100' (30 m)
7	N/A	55' (17 m)	100' (30 m)
8	N/A	43' (13 m)	100' (30 m)
9	N/A	N/A	100' (30 m)
10	N/A	N/A	85' (26 m)

Equivalent Vent Length:

	6" COMMON VENT	8" COMMON VENT	10" COMMON VENT
87 Degree Elbow	8.0' (2.4 m)	5.0' (1.5 m)	5.0' (1.5 m)
45 Degree Elbow	4.0' (1.2 m)	2.5' (0.8 m)	2.5' (0.8 m)

NOTES:

- Tee Termination has same equivalent vent length as 87 Degree Elbow.
- The system may be vented horizontally through a wall or vertically through the roof.
- Header kits have already been counted and do not need to be added.
- Systems with 9-10 heaters can be vented in-line only.

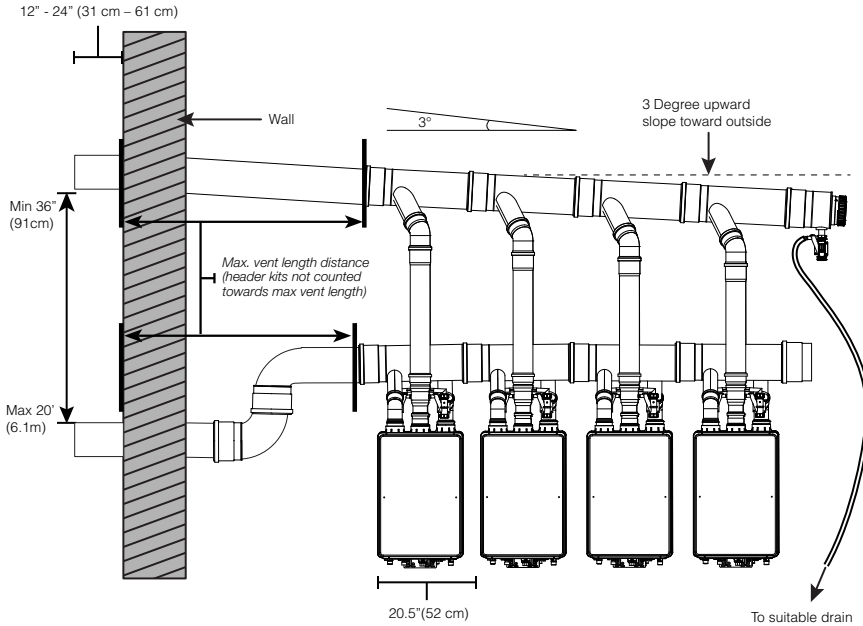


INTEGRATED HOME COMFORT

BACK TO BACK COMMON VENTING

The following back to back header vent kits can be purchased separately to create **Back to Back Common Venting** system: *Back to Back venting requires additional gas chip, sold separately. Consult Rheem Applications Engineer before purchase.*

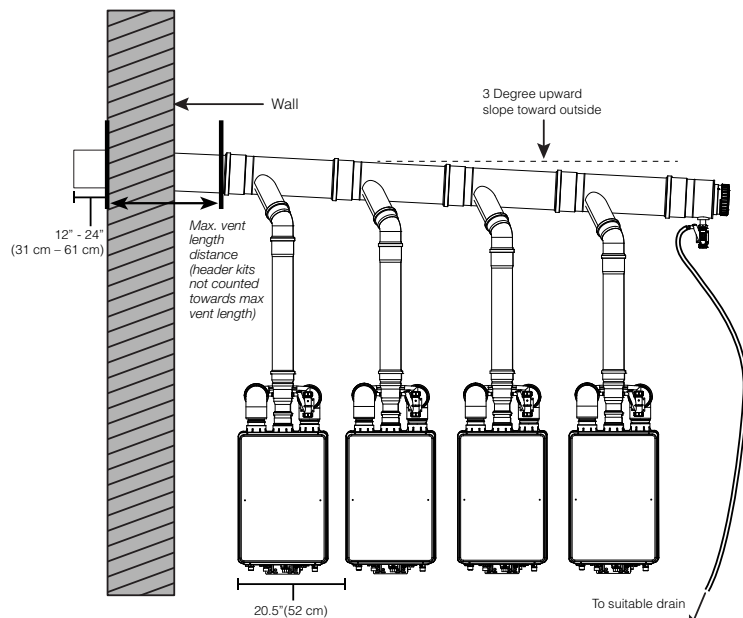
Direct Vent Header Kits



Diagrams illustrate horizontal intake and exhaust, vertical intake and exhaust also available, but not pictured.

RHEEM PART NUMBER	TRUNK DIAMETER	NUMBER OF UNITS
SP20912A	6"	2
SP20912B		3
SP20912C		4
SP20914A	8"	2
SP20914B		3
SP20914C		4
SP20914D		5
SP20914E		6
SP20914F		7
SP20914G		8
SP20916A	10"	2
SP20916B		3
SP20916C		4
SP20916D		5
SP20916E		6
SP20916F		7
SP20916G		8

Room Air Intake Header Kits



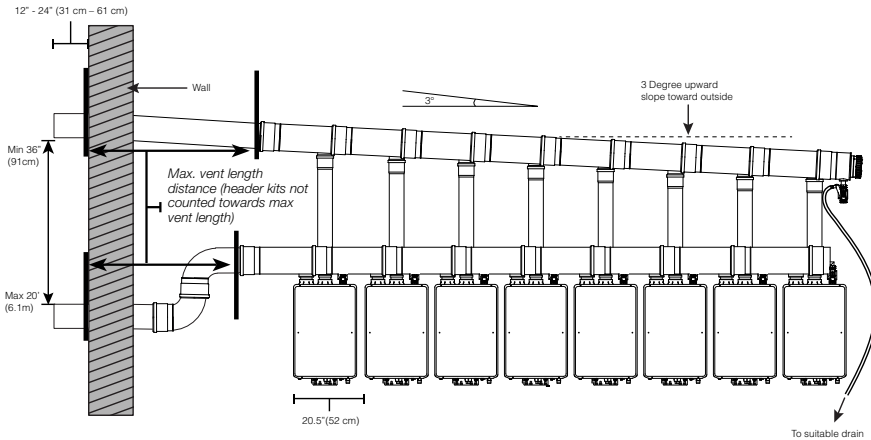
RHEEM PART NUMBER	TRUNK DIAMETER	NUMBER OF UNITS
SP20913A	6"	2
SP20913B		3
SP20913C		4
SP20915A	8"	2
SP20915B		3
SP20915C		4
SP20915D		5
SP20915E		6
SP20915F		7
SP20915G		8
SP20917A	10"	2
SP20917B		3
SP20917C		4
SP20917D		5
SP20917E		6
SP20917F		7
SP20917G		8

These kits contain only minimum required vent parts to create a common venting trunk line and a connection from the trunk line to water heaters. Vent parts included in these kits **DO NOT** count for equivalent vent length except a 87 degree elbow for the air intake included in a room air kit. Additional vent parts will be required to complete the common venting system. Refer to "Parts List" of this installation instructions for additional information.

INLINE COMMON VENTING

The following inline header vent kits can be purchased separately to create **Inline Common Venting** system:

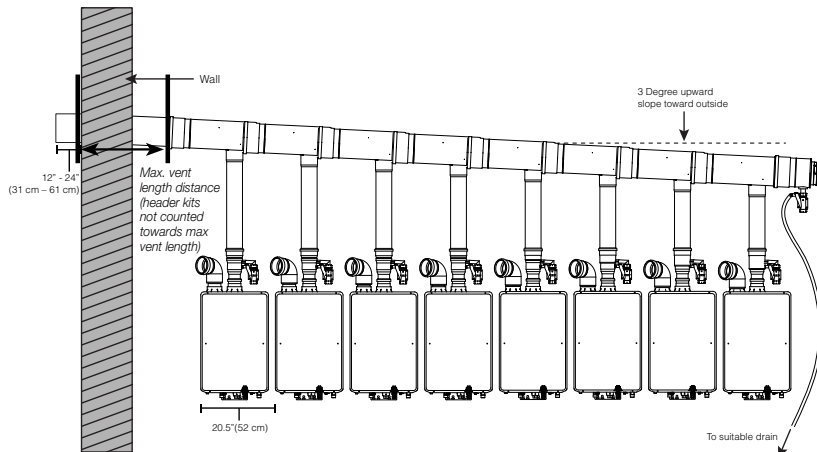
Direct Vent Header Kits



Diagrams illustrate horizontal intake and exhaust, vertical intake and exhaust also available, but not pictured.

RHEEM PART NUMBER	TRUNK DIAMETER	NUMBER OF UNITS
SP20906A	6"	2
SP20906B		3
SP20906C		4
SP20908A	8"	2
SP20908B		3
SP20908C		4
SP20908D		5
SP20908E		6
SP20908F		7
SP20908G		8
SP20910A	10"	2
SP20910B		3
SP20910C		4
SP20910D		5
SP20910E		6
SP20910F		7
SP20910G		8
SP20910H		9
SP20910I		10
SP20910J		10

Room Air Intake Header Kits

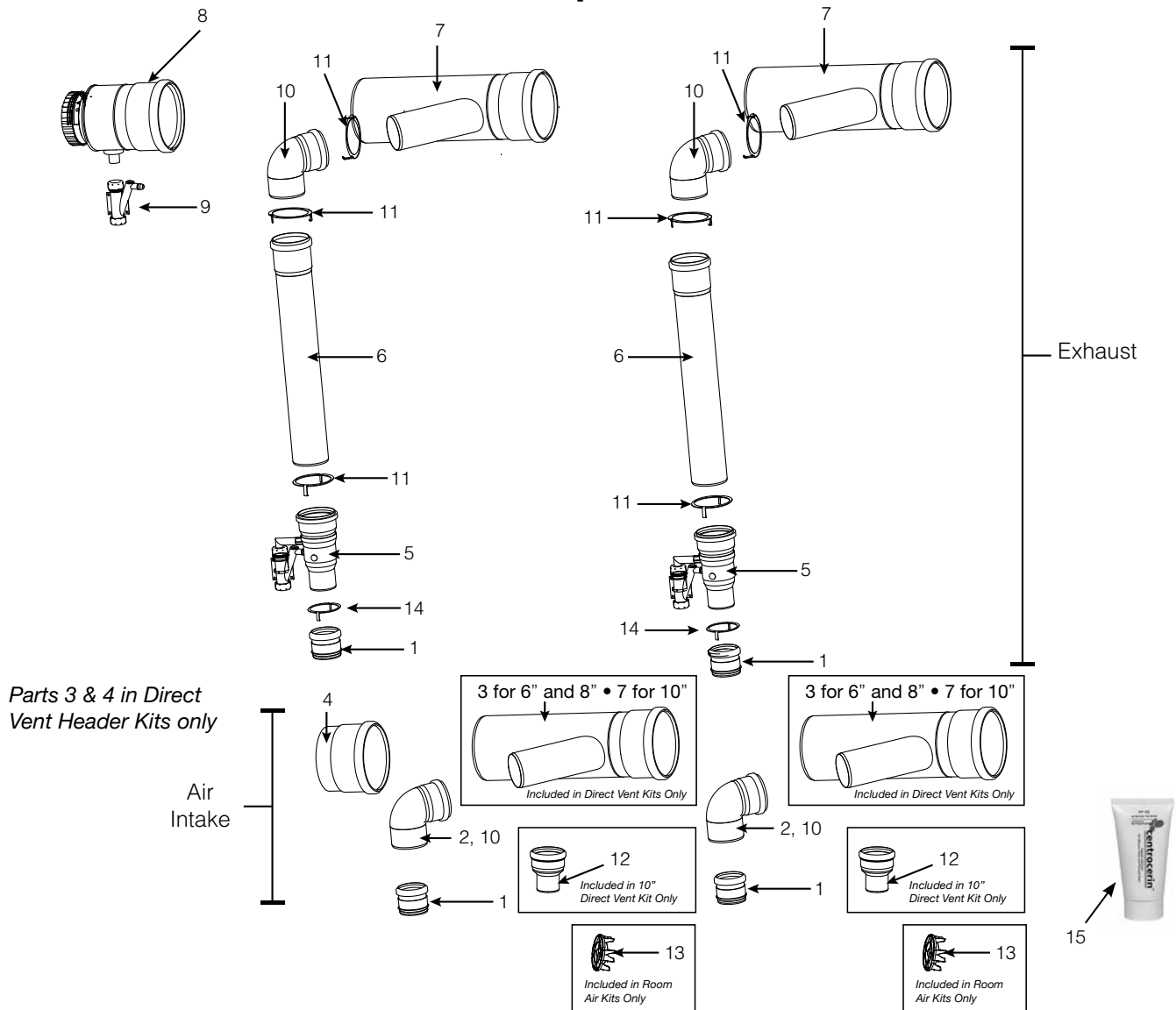


These kits contain only minimum required vent parts to create a common venting trunk line and a connection from the trunk line to water heaters. Vent parts included in these kits **DO NOT** count for equivalent vent length except a 87 degree elbow for the air intake included in a room air kit. Additional vent parts will be required to complete the common venting system. Refer to "Parts List" of this installation instructions for additional information.

RHEEM PART NUMBER	TRUNK DIAMETER	NUMBER OF UNITS
SP20907A	6"	2
SP20907B		3
SP20907C		4
SP20909A	8"	2
SP20909B		3
SP20909C		4
SP20909D		5
SP20909E		6
SP20909F		7
SP20909G		8
SP20911A	10"	2
SP20911B		3
SP20911C		4
SP20911D		5
SP20911E		6
SP20911F		7
SP20911G		8
SP20911H		9
SP20911I		10
SP20911J		10

INLINE COMMON VENTING

Inline Common Vent Kit Components



RHEEM PART NUMBER	PART DESCRIPTION
1	SP20918A 3" PVC to PP Adaptor
2	SP20918J 3", 87° Elbow
3	SP20918AD 6" Air Intake Branch Tee
	SP20918L 8" Air Intake Branch Tee
4	SP20918AH 6" Tee Cap
	SP20918K 8" Tee Cap
	SP20918AK 10" Tee Cap
5	SP20918D Non-Return Valve (NRV)
6	SP20918G 4" Straight Pipe, 2' (Direct Vent)
	SP20918Z 4" Straight Pipe, 1' (Room Air)

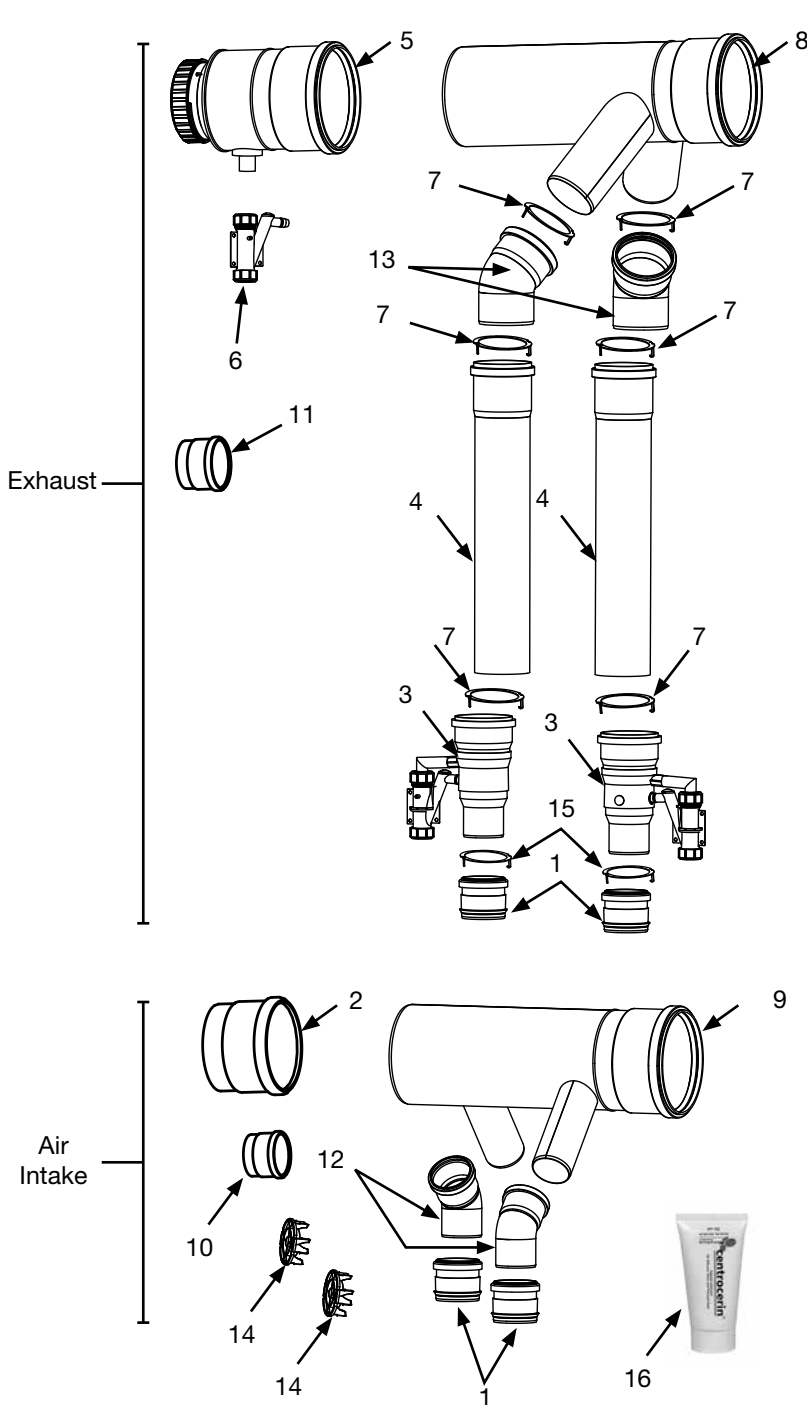
NOTE: All header kit parts available individually for replacement order using part numbers above.

NOTE: For 6" and 8" trunk diameters, exhaust branches are 4", intake branches are 3" diameter, for 10" diameter trunk, both exhaust and intake branches are 3" diameter.

RHEEM PART NUMBER	PART DESCRIPTION
7	SP20918AC 6" Exhaust Branch Tee
	SP20918E 8" Exhaust Branch Tee
	SP20918AE 10" Exhaust and Air Intake Branch Tee
8	SP20918AG 6" Horizontal Drain Fitting
	SP20918F 8" Horizontal Drain Fitting
	SP20918AJ 10" Horizontal Drain Fitting
9	SP20918C Universal Ball Valve Siphon
10	SP20918B 4", 87 Degree Elbow
11	SP20918Y 4" Connector Ring
12	SP20918AL 3" to 4" Increaser
13	SP20918AB 3" Bird Screen
14	SP20918X 3" Connector Ring
15	SP20918H Centrocerin Lubricant

BACK TO BACK COMMON VENTING

Back to Back Common Vent Kit Components



Parts 2, 9 & 10 in Direct Vent Header Kits only

RHEEM PART NUMBER		PART DESCRIPTION
1	SP20918A	3" PVC to PP Adaptor
2	SP20918AH	6" Tee Cap
	SP20918K	8" Tee Cap
	SP20918AK	10" Tee Cap
3	SP20918D	Non-Return Valve (NRV)
4	SP20918G	4" Straight Pipe, 2'
5	SP20918AG	6" Horizontal Drain Fitting
	SP20918F	8" Horizontal Drain Fitting
	SP20918AJ	10" Horizontal Drain Fitting
6	SP20918C	Universal Ball Valve Siphon
7	SP20918Y	4" Connector Ring
8	SP20918AM	6" Back to Back Exhaust Branch Tee
	SP20918AP	8" Back to Back Exhaust Branch Tee
	SP20918AS	10" Back to Back Exhaust Branch Tee
9	SP20918AN	6" Back to Back Air Intake Branch Tee
	SP20918AR	8" Back to Back Air Intake Branch Tee
	SP20918AT	10" Back to Back Air Intake Branch Tee
10	SP20918AU	3" Tee Cap
11	SP20918AV	4" Tee Cap
12	SP20918BC	3", 45 Degree Elbow
13	SP20918BD	4", 45 Degree Elbow
14	SP20918AB	3" Bird Screen
15	SP20918X	3" Connector Ring
16	SP20918H	Centrocerin Lubricant

NOTE: All header kit parts available individually for replacement order using part numbers above.

NOTE: Exhaust branches are 4", intake branches are 3" diameter.



The new degree of comfort.®



Commercial Gas
Common Venting
Tankless Water Heaters

For Rheem® Commercial Tankless Natural Gas Water Heaters

Vent Run Accessories

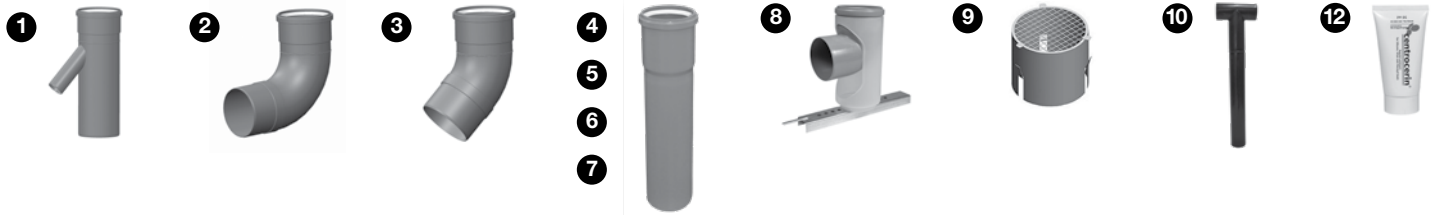


IMAGE NUMBER	PART DESCRIPTION	6"	8"	10"
1	Air Intake Branch Tee	SP20918AD	SP20918L	SP20918AE
2	87 Degree Elbow	SP20918BE	SP20918M	SP20918BM
3	45 Degree Elbow	SP20918BF	SP20918N	SP20918BN
4	Straight Pipe, 1'	SP20918BG	SP20918P	SP20918BP
5	Straight Pipe, 2'	SP20918BH	SP20918R	SP20918BR
6	Straight Pipe, 3'	SP20918BJ	SP20918S	SP20918BS
7	Straight Pipe, 6'	SP20918BK	SP20918T	SP20918BT
8	90 Degree Elbow Vertical Support	SP20918BL	SP20918U	SP20918BU
9	Bird Screen SS	SP20918AY	SP20918V	SP20918AZ
10	Tee Termination	SP20918BA	SP20918W	SP20918BB
11	Support Clamp	SP20918AW	SP20918AA	SP20918AX
12	Centrocerin Lubricant	SP20918H	SP20918H	SP20918H

	CENTROTHERM PPS	PVC	CPVC
Chemical Resistance			
- Aromatic Hydrocarbons	✓	X	X
- Sulfuric Acid	✓	X	X
- Hydrochloric Acid	✓	X	X
UL Listed (0°F to 230°F)	Listed	Not Listed	Not Listed
Actual Working Temperature	32°F (0°C) 248°F (120°C)	50°F (15°C) 149°F (65°C)	50°F (15°C) 194°F (90°C)
Softening Temperatures	302°F (150°C)	176°F (80°C)	200°F (93°C)
Environmentally Friendly Production	✓	X	X
No Chloride Leaching	✓	X	X
Fully Recyclable	✓	X	X

NOTE: Temperature values in table represent exhaust flue temperatures. For approximate max. water set point temperatures, subtract 20 degrees F.

Specifications

The Common Vent System shall be manufactured from polypropylene stabilized (PPs). The Common Vent System shall be UL-1738 & ULC-S636 rated for use with maximum flue gas temperatures of 230°F (110°C), and be rated to a maximum vent pressure of 20" of water column.

Multiple Unit Controls

RTGH-CM95DVLN includes manifold control, and does not require other multiple unit controls. RTGH-C95DVLN requires one of the following optional Multiple Unit controls to manifold two or more water heaters together.

Without the Multiple Unit Control, water heaters operate independently

MULTIPLE UNIT CONTROLS	RTGH-C95DVLN	RTGH-CM95DVLN	MAXIMUM NO. OF WATER HEATERS
EZ Link	Optional	Not Required	2
MIC-6	Optional	Not Required	6
MIC-185	Optional	Not Required	6
MIC-185 with MICS-180	Optional	Not Required	20*
Manifold Control	N/A	Included	20*

*Maximum number of water heaters per one common vent system is 10, depending on trunk diameter

In keeping with its policy of continuous progress and product improvement, Rheem reserves the right to make changes without notice.

Rheem Water Heating • 1115 Northmeadow Parkway, Suite 100
Roswell, Georgia 30076 • www.rheem.com

Rheem Canada Ltd./Ltée • 125 Edgeware Road, Unit 1
Brampton, Ontario L6Y 0P5 • www.rheem.com



INTEGRATED HOME COMFORT