



## Endeavor<sup>®</sup> Line Achiever<sup>®</sup> Series iR Residential Packaged Air Conditioners



### RACAYB

Cooling Efficiency: 13.4 SEER2

Nominal Sizes: 2-5 Tons [7.0-17.6 kW]

Refrigerant Type : R-454B



## TABLE OF CONTENTS

Unit Features and Benefits .....	3
Model Number Identification .....	4
General Data .....	5-8
General Data Notes .....	9
Gross Systems Performance Data .....	10-15
Indoor Airflow Performance .....	16-21
Electrical Data .....	22-23
Electric Heater Kits .....	24-26
Dimensional Data .....	27-28
Typical Installations .....	29
Accessories .....	30-37
Limited Warranty .....	38



## FEATURES AND BENEFITS

- **Scroll Compressors on all models:** Provides maximum efficiency and quiet operation
- **MicroChannel Evaporator and Condenser Coil:** Delivers superior performance with a robust surface, a decreased refrigerant requirement and is lighter than conventional copper tube/aluminum fin coils. All-aluminum construction offers superior protection against formicary corrosion and aluminum tube rubbing damage. The design allows for easier and faster cleaning
- **Thermal Expansion Valves:** Standard on all models for precise superheat control, reliability, and energy efficiency at all operating conditions
- **High Pressure Control:** Standard on all models for refrigerant component protection and reliability
- **Filter Drier:** Standard on all models
- **100% Factory Run Tested**
- **PlusOne® Refrigerant Detection System™:** An integrated one-box, patented design featuring the A2L sensor and mitigation board, offering easier commissioning with a single component and simplified wiring configuration, compatibility with any 24V thermostat application and system protection by automatically pausing outdoor unit operation — if excess refrigerant is detected
- **Rugged Base Rail:** For improved installation and handling
- **Easily Accessible Control Box and Blower Section with Slide-Out Blower**
- **Slide and Down Discharge Options Available:** All models are shipped ready for horizontal applications
- **Double Sloped Evaporator Coil Drain Pan:** Assures all water is removed from the unit to improve indoor air quality
- **Louvered Condenser Compartment:** Protects the coil against yard hazards and/or weather extremes
- **Supply and Return Air Openings:** Feature a one-inch-tall flange to prevent water migration into the ductwork
- **Supplemental Electric Heating Option Available:** Field-installed, electrical heat strips, up to 15 kW with simplified single-point wiring, are available for periods of extreme weather conditions
- **Designing for Sustainability with Low GWP:** For 2025, the environmental Protection Agency (EPA) has set a global warming potential (GWP) limit of 700 for refrigerant used in heating and cooling systems. This new requirement will result in a 78%<sup>1</sup> lower GWP than previous-generation refrigerants with only minimal changes to system installation. For us, this is another step toward our continued sustainability goal of reducing greenhouse gas emissions, while still delivering an exceptional level of energy efficient, dependable comfort

<sup>1</sup>Factory installed on 3.5, 4 and 5 ton models. For R-454B equipment with a refrigerant charge (mc) less than 3.9 lbs (≈1.8 kg or ≈62.6 oz), a refrigerant detection system is not required by the UL 60335-2-40 standard. <sup>2</sup>When comparing the GWP of R-454B to R-410A refrigerant.

## Packaged Air Conditioners

<u>R</u>	<u>AC</u>	<u>A</u>	<u>Y</u>	<u>B</u>	<u>024</u>	<u>A</u>	<u>J</u>	<u>T</u>	<u>000</u>	<u>N</u>	<u>A</u>
Brand	Product Category	Platform	Refrigerant	Tier	Capacity BTU/HR	Major Series	Voltage	Drive	Electric Heat	Control	Minor Series
R - Ruud	AC - Straight Cool	A- ResiPack Convertible	Y - R-454B	B - Base Tier (13.4 SEER2)	024 - 24,000 [7.03 kW] 030 - 30,000 [8.79 kW] 036 - 36,000 [10.55 kW] 042 - 42,000 [12.31 kW] 048 - 48,000 [14.07 kW] 060 - 60,000 [17.58 kW]	A - 1st Design	J - 1ph, 208/230/60 C - 3ph, 208/230/60 D - 3ph, 460/60	T - Constant Torque	000 - No Electric Heat	N - Non-Communicating	A - 1st Design

[ ] Designates Metric Conversions

Available Models
RACAYB024AJT000NA
RACAYB030ACT000NA
RACAYB030AJT000NA
RACAYB036ACT000NA
RACAYB036ADT000NA
RACAYB036AJT000NA
RACAYB042ACT000NA
RACAYB042AJT000NA
<b>RACAYB048ACT000NA</b>
<b>RACAYB048ADT000NA</b>
<b>RACAYB048AJT000NA</b>
<b>RACAYB060ACT000NA</b>
<b>RACAYB060ADT000NA</b>
<b>RACAYB060AJT000NA</b>

NOTE: **Bold** represents 2-stage cooling models.

## NOMINAL SIZES 2-5 TONS [7.0-17.6 kW]

Model RACAYB Series	024AJT	030ACT	030AJT	036ACT
<b>Cooling Performance<sup>1</sup></b>				<b>CONTINUED</b> →
Gross Cooling Capacity Btu/h [kW]	23,700 [6.95]	29,400 [8.61]	29,400 [8.61]	35,200 [10.31]
EER2/SEER2 <sup>2</sup>	10.6/13.4	10.6/13.4	10.6/13.4	10.6/13.4
Nominal CFM/AHRI Rated CFM [L/s]	800/810 [378/382]	1000/980 [472/462]	1000/980 [472/462]	1200/1180 [566/557]
AHRI Net Cooling Capacity Btu/h [kW]	22,800 [6.68]	28,400 [8.32]	28,400 [8.32]	34,200 [10.02]
Net Sensible Capacity Btu/h [kW]	16,600 [4.86]	21,100 [6.18]	21,100 [6.18]	25,100 [7.35]
Net Latent Capacity Btu/h [kW]	6,200 [1.82]	7,300 [2.14]	7,300 [2.14]	9,100 [2.67]
Net System Power kW	2.01	2.45	2.45	2.80
<b>Compressor</b>				
No./Stg/Type	1/1/Scroll	1/1/Scroll	1/1/Scroll	1/1/Scroll
<b>Outdoor Sound Rating (dB)<sup>3</sup></b>	77	79	79	75
<b>Outdoor Coil - Fin Type</b>	Louvered	Louvered	Louvered	Louvered
Tube Type	MicroChannel	MicroChannel	MicroChannel	MicroChannel
MicroChannel Depth in. [mm]	0.472 [12]	0.709 [18]	0.709 [18]	0.709 [18]
Face Area sq. ft. [sq. m]	7.19 [0.67]	7.06 [0.66]	7.06 [0.66]	9.78 [0.91]
Rows / FPI [FPcm]	1 / 23 [9]	1 / 23 [9]	1 / 23 [9]	1 / 23 [9]
<b>Indoor Coil - Fin Type</b>	Louvered	Louvered	Louvered	Louvered
Tube Type	MicroChannel	MicroChannel	MicroChannel	MicroChannel
MicroChannel Depth in. [mm]	1 [25.4]	1 [25.4]	1 [25.4]	1 [25.4]
Face Area sq. ft. [sq. m]	3.54 [0.33]	3.54 [0.33]	3.54 [0.33]	3.54 [0.33]
Rows / FPI [FPcm]	1 / 20 [8]	1 / 20 [8]	1 / 20 [8]	1 / 20 [8]
Refrigerant Control	TX Valves	TX Valves	TX Valves	TX Valves
Drain Connection No./Size in. [mm]	1/0.75 [19.05]	1/0.75 [19.05]	1/0.75 [19.05]	1/0.75 [19.05]
<b>Outdoor Fan - Type</b>	Propeller	Propeller	Propeller	Propeller
No. Used/Diameter in. [mm]	1/22 [558.8]	1/22 [558.8]	1/22 [558.8]	1/22 [558.8]
Drive Type/No. Speeds	Direct/1	Direct/1	Direct/1	Direct/1
CFM [L/s]	2500 [1180]	2400 [1133]	2400 [1133]	3250 [1534]
No. Motors/HP	1 at 1/3 HP	1 at 1/3 HP	1 at 1/3 HP	1 at 1/3 HP
Motor RPM	825	825	825	825
<b>Indoor Fan - Type</b>	FC Centrifugal	FC Centrifugal	FC Centrifugal	FC Centrifugal
No. Used/Diameter in. [mm]	1/10x9 [254x229]	1/10x9 [254x229]	1/10x9 [254x229]	1/12x9 [305x229]
Drive Type	Direct	Direct	Direct	Direct
No. Speeds	Multiple	Multiple	Multiple	Multiple
No. Motors	1	1	1	1
Motor HP	1/3	1/2	1/2	1
Motor RPM	1050	1050	1050	1050
Motor Frame Size	48	48	48	48
<b>Filter - Type</b>	Field Supplied	Field Supplied	Field Supplied	Field Supplied
Furnished	No	No	No	No
(NO.) Size Recommended in. [mm x mm x mm]	(1)1x24x24 [25x610x610]	(1)1x24x24 [25x610x610]	(1)1x24x24 [25x610x610]	(1)1x24x24 [25x610x610]
<b>Refrigerant Charge Oz. [g]</b>	38 [1077]	46.4 [1315]	46.4 [1315]	48 [1361]
<b>Weights</b>				
Net Weight lbs. [kg]	354 [161]	354 [161]	354 [161]	363 [165]
Ship Weight lbs. [kg]	362 [164]	362 [164]	362 [164]	371 [168]

See Page 9 for Notes.

[ ] Designates Metric Conversions

## NOMINAL SIZES 2-5 TONS [7.0-17.6 kW]

Model RACAYB Series	036ADT	036AJT	042ACT	042AJT
<b>Cooling Performance<sup>1</sup></b>				<b>CONTINUED</b> →
Gross Cooling Capacity Btu/h [kW]	35,200 [10.31]	35,600 [10.43]	42,000 [12.31]	42,000 [12.31]
EER2/SEER2 <sup>2</sup>	10.6/13.4	10.6/13.4	10.6/13.4	10.6/13.4
Nominal CFM/AHRI Rated CFM [L/s]	1200/1180 [566/557]	1200/1180 [566/557]	1400/1510 [661/713]	1400/1510 [661/713]
AHRI Net Cooling Capacity Btu/h [kW]	34,200 [10.02]	34,200 [10.02]	40,000 [11.72]	40,000 [11.72]
Net Sensible Capacity Btu/h [kW]	25,100 [7.35]	24,900 [7.3]	30,000 [8.79]	30,000 [8.79]
Net Latent Capacity Btu/h [kW]	9,100 [2.67]	9,300 [2.72]	10,000 [2.93]	10,000 [2.93]
Net System Power kW	2.80	2.80	3.40	3.60
<b>Compressor</b>				
No./Stg/Type	1/1/Scroll	1/1/Scroll	1/1/Scroll	1/1/Scroll
<b>Outdoor Sound Rating (dB)<sup>3</sup></b>	75	75	77	77
<b>Outdoor Coil - Fin Type</b>	Louvered	Louvered	Louvered	Louvered
Tube Type	MicroChannel	MicroChannel	MicroChannel	MicroChannel
MicroChannel Depth in. [mm]	0.709 [18]	0.709 [18]	0.709 [18]	0.709 [18]
Face Area sq. ft. [sq. m]	9.78 [0.91]	9.78 [0.91]	16.18 [1.5]	16.18 [1.5]
Rows / FPI [FPcm]	1 / 23 [9]	1 / 23 [9]	1 / 23 [9]	1 / 23 [9]
<b>Indoor Coil - Fin Type</b>	Louvered	Louvered	Louvered	Louvered
Tube Type	MicroChannel	MicroChannel	MicroChannel	MicroChannel
MicroChannel Depth in. [mm]	1 [25.4]	1 [25.4]	1.26 [32]	1.26 [32]
Face Area sq. ft. [sq. m]	3.54 [0.33]	3.54 [0.33]	3.98 [0.37]	3.98 [0.37]
Rows / FPI [FPcm]	1 / 20 [8]	1 / 20 [8]	1 / 20 [8]	1 / 20 [8]
Refrigerant Control	TX Valves	TX Valves	TX Valves	TX Valves
Drain Connection No./Size in. [mm]	1/0.75 [19.05]	1/0.75 [19.05]	1/0.75 [19.05]	1/0.75 [19.05]
<b>Outdoor Fan - Type</b>	Propeller	Propeller	Propeller	Propeller
No. Used/Diameter in. [mm]	1/22 [558.8]	1/22 [558.8]	1/22 [558.8]	1/22 [558.8]
Drive Type/No. Speeds	Direct/1	Direct/1	Direct/1	Direct/1
CFM [L/s]	3250 [1534]	3250 [1534]	4300 [2029]	4300 [2029]
No. Motors/HP	1 at 1/3 HP	1 at 1/3 HP	1 at 1/3 HP	1 at 1/3 HP
Motor RPM	825	825	1050	1050
<b>Indoor Fan - Type</b>	FC Centrifugal	FC Centrifugal	FC Centrifugal	FC Centrifugal
No. Used/Diameter in. [mm]	1/12x9 [305x229]	1/12x9 [305x229]	1/12x9 [305x229]	1/12x9 [305x229]
Drive Type	Direct	Direct	Direct	Direct
No. Speeds	Multiple	Multiple	Multiple	Multiple
No. Motors	1	1	1	1
Motor HP	1	1	3/4	3/4
Motor RPM	1050	1050	1050	1050
Motor Frame Size	48	48	48	48
<b>Filter - Type</b>	Field Supplied	Field Supplied	Field Supplied	Field Supplied
Furnished	No	No	No	No
(NO.) Size Recommended in. [mm x mm x mm]	(1)1x24x24 [25x610x610]	(1)1x24x24 [25x610x610]	(1)1x24x24 [25x610x610]	(1)1x24x24 [25x610x610]
<b>Refrigerant Charge Oz. [g]</b>	48 [1361]	48 [1361]	69.3 [1965]	69.3 [1965]
<b>Weights</b>				
Net Weight lbs. [kg]	363 [165]	363 [165]	428 [194]	428 [194]
Ship Weight lbs. [kg]	371 [168]	371 [168]	436 [198]	436 [198]

See Page 9 for Notes.

[ ] Designates Metric Conversions

## NOMINAL SIZES 2-5 TONS [7.0-17.6 kW]

Model RACAYB Series	048ACT	048ADT	048AJT	060ACT
<b>Cooling Performance<sup>1</sup></b>				<b>CONTINUED</b> →
Gross Cooling Capacity Btu/h [kW]	47,900 [14.04]	47,900 [14.04]	47,900 [14.04]	58,600 [17.17]
EER2/SEER2 <sup>2</sup>	10.6/13.4	10.6/13.4	10.6/13.4	10.6/13.4
Nominal CFM/AHRI Rated CFM [L/s]	1600/1730 [755/816]	1600/1730 [755/816]	1600/1730 [755/816]	2000/1700 [944/802]
AHRI Net Cooling Capacity Btu/h [kW]	45,500 [13.33]	45,500 [13.33]	45,500 [13.33]	56,000 [16.41]
Net Sensible Capacity Btu/h [kW]	33,500 [9.82]	33,500 [9.82]	33,500 [9.82]	40,000 [11.72]
Net Latent Capacity Btu/h [kW]	12,000 [3.52]	12,000 [3.52]	12,000 [3.52]	16,000 [4.69]
Net System Power kW	4.10	4.10	4.10	5.21
<b>Compressor</b>				
No./Stg/Type	1/2/Scroll	1/2/Scroll	1/2/Scroll	1/2/Scroll
<b>Outdoor Sound Rating (dB)<sup>3</sup></b>	76	76	76	77
<b>Outdoor Coil - Fin Type</b>	Louvered	Louvered	Louvered	Louvered
Tube Type	MicroChannel	MicroChannel	MicroChannel	MicroChannel
MicroChannel Depth in. [mm]	1 [25.4]	1 [25.4]	1 [25.4]	1 [25.4]
Face Area sq. ft. [sq. m]	15.37 [1.43]	15.37 [1.43]	15.37 [1.43]	15.37 [1.43]
Rows / FPI [FPcm]	1 / 23 [9]	1 / 23 [9]	1 / 23 [9]	1 / 23 [9]
<b>Indoor Coil - Fin Type</b>	Louvered	Louvered	Louvered	Louvered
Tube Type	MicroChannel	MicroChannel	MicroChannel	MicroChannel
MicroChannel Depth in. [mm]	1.26 [32]	1.26 [32]	1.26 [32]	1.26 [32]
Face Area sq. ft. [sq. m]	3.98 [0.37]	3.98 [0.37]	3.98 [0.37]	3.96 [0.37]
Rows / FPI [FPcm]	1 / 20 [8]	1 / 20 [8]	1 / 20 [8]	1 / 20 [8]
Refrigerant Control	TX Valves	TX Valves	TX Valves	TX Valves
Drain Connection No./Size in. [mm]	1/0.75 [19.05]	1/0.75 [19.05]	1/0.75 [19.05]	1/0.75 [19.05]
<b>Outdoor Fan - Type</b>	Propeller	Propeller	Propeller	Propeller
No. Used/Diameter in. [mm]	1/22 [558.8]	1/22 [558.8]	1/22 [558.8]	1/22 [558.8]
Drive Type/No. Speeds	Direct/1	Direct/1	Direct/1	Direct/1
CFM [L/s]	4150 [1958]	4150 [1958]	4150 [1958]	4300 [2029]
No. Motors/HP	1 at 1/3 HP	1 at 1/3 HP	1 at 1/3 HP	1 at 1/2 HP
Motor RPM	1050	1050	1050	1050
<b>Indoor Fan - Type</b>	FC Centrifugal	FC Centrifugal	FC Centrifugal	FC Centrifugal
No. Used/Diameter in. [mm]	1/12x9 [305x229]	1/12x9 [305x229]	1/12x9 [305x229]	1/12x9 [305x229]
Drive Type	Direct	Direct	Direct	Direct
No. Speeds	Multiple	Multiple	Multiple	Multiple
No. Motors	1	1	1	1
Motor HP	1	1	1	1
Motor RPM	1050	1050	1050	1050
Motor Frame Size	48	48	48	48
<b>Filter - Type</b>	Field Supplied	Field Supplied	Field Supplied	Field Supplied
Furnished	No	No	No	No
(NO.) Size Recommended in. [mm x mm x mm]	(1)1x24x24 [25x610x610]	(1)1x24x24 [25x610x610]	(1)1x24x24 [25x610x610]	(1)1x24x24 [25x610x610]
<b>Refrigerant Charge Oz. [g]</b>	78.4 [2223]	78.4 [2223]	78.4 [2223]	80 [2268]
<b>Weights</b>				
Net Weight lbs. [kg]	447 [203]	447 [203]	447 [203]	450 [204]
Ship Weight lbs. [kg]	455 [206]	455 [206]	455 [206]	458 [208]

See Page 9 for Notes.

[ ] Designates Metric Conversions

## NOMINAL SIZES 2-5 TONS [7.0-17.6 kW]

Model RACAYB Series	060ADT	060AJT
<b>Cooling Performance<sup>1</sup></b>		
Gross Cooling Capacity Btu/h [kW]	58,600 [17.17]	58,600 [17.17]
EER2/SEER2 <sup>2</sup>	10.6/13.4	10.6/13.4
Nominal CFM/AHRI Rated CFM [L/s]	2000/1700 [944/802]	2000/1700 [944/802]
AHRI Net Cooling Capacity Btu/h [kW]	56,000 [16.41]	56,000 [16.41]
Net Sensible Capacity Btu/h [kW]	40,000 [11.72]	40,000 [11.72]
Net Latent Capacity Btu/h [kW]	16,000 [4.69]	16,000 [4.69]
Net System Power kW	5.21	5.21
<b>Compressor</b>		
No./Stg/Type	1/2/Scroll	1/2/Scroll
<b>Outdoor Sound Rating (dB)<sup>3</sup></b>		
	77	77
<b>Outdoor Coil - Fin Type</b>		
Tube Type	Louvered	Louvered
MicroChannel Depth in. [mm]	MicroChannel	MicroChannel
Face Area sq. ft. [sq. m]	1 [25.4]	1 [25.4]
Rows / FPI [FPcm]	15.37 [1.43]	15.37 [1.43]
	1 / 23 [9]	1 / 23 [9]
<b>Indoor Coil - Fin Type</b>		
Tube Type	Louvered	Louvered
MicroChannel Depth in. [mm]	MicroChannel	MicroChannel
Face Area sq. ft. [sq. m]	1.26 [32]	1.26 [32]
Rows / FPI [FPcm]	3.96 [0.37]	3.96 [0.37]
	1 / 20 [8]	1 / 20 [8]
Refrigerant Control	TX Valves	TX Valves
Drain Connection No./Size in. [mm]	1/0.75 [19.05]	1/0.75 [19.05]
<b>Outdoor Fan - Type</b>		
No. Used/Diameter in. [mm]	Propeller	Propeller
Drive Type/No. Speeds	1/22 [558.8]	1/22 [558.8]
CFM [L/s]	Direct/1	Direct/1
No. Motors/HP	4300 [2029]	4300 [2029]
Motor RPM	1 at 1/2 HP	1 at 1/2 HP
	1050	1050
<b>Indoor Fan - Type</b>		
No. Used/Diameter in. [mm]	FC Centrifugal	FC Centrifugal
Drive Type	1/12x9 [305x229]	1/12x9 [305x229]
No. Speeds	Direct	Direct
No. Motors	Multiple	Multiple
Motor HP	1	1
Motor RPM	1	1
Motor Frame Size	1050	1050
	48	48
<b>Filter - Type</b>		
Furnished	Field Supplied	Field Supplied
(NO.) Size Recommended in. [mm x mm x mm]	No	No
	(1)1x24x24 [25x610x610]	(1)1x24x24 [25x610x610]
<b>Refrigerant Charge Oz. [g]</b>		
	80 [2268]	80 [2268]
<b>Weights</b>		
Net Weight lbs. [kg]	450 [204]	450 [204]
Ship Weight lbs. [kg]	458 [208]	458 [208]

See Page 9 for Notes.

[ ] Designates Metric Conversions



## NOTES:

1. Cooling Performance is rated at 95°F ambient, 80°F entering dry bulb, 67°F entering wet bulb. Gross capacity does not include the effect of fan motor heat. AHRI capacity is net and includes the effect of fan motor heat. Units are suitable for operation to  $\pm 20\%$  of nominal cfm. Units are certified in accordance with the Unitary Air Conditioner Equipment certification program, which is based on AHRI Standard 210/240 or 360.
2. EER2 and/or SEER2 are rated at AHRI conditions and in accordance with DOE test procedures.
3. Outdoor Sound Rating shown is tested in accordance with AHRI Standard 270.

## GROSS SYSTEMS PERFORMANCE DATA – RACAYB024

		ENTERING INDOOR AIR @ 80°F [26.7°C] dbE ①									
wbE		71°F [21.7°C]			67°F [19.4°C]			63°F [17.2°C]			
CFM [L/s]		900 [425]	825 [389]	700 [330]	900 [425]	825 [389]	700 [330]	900 [425]	825 [389]	700 [330]	
DR ①		.05	.09	.12	.05	.09	.12	.05	.09	.12	
O U T D O O R  D R Y  B U L B  T E M P E R A T U R E  ° F [ ° C]	75 [23.9]	Total kBtu/h [kW]	29.9 [8.8]	29.4 [8.6]	28.6 [8.4]	28.2 [8.3]	27.7 [8.1]	27.0 [7.9]	26.5 [7.8]	26.1 [7.6]	25.4 [7.4]
		Sens kBtu/h [kW]	16.8 [4.9]	16.1 [4.7]	15.0 [4.4]	19.7 [5.8]	18.9 [5.5]	17.5 [5.1]	22.6 [6.6]	21.6 [6.3]	20.1 [5.9]
		Power	1.6	1.6	1.6	1.6	1.6	1.6	1.5	1.5	1.5
	80 [26.7]	Total kBtu/h [kW]	29.0 [8.5]	28.6 [8.4]	27.8 [8.1]	27.3 [8.0]	26.9 [7.9]	26.2 [7.7]	25.7 [7.5]	25.2 [7.4]	24.6 [7.2]
		Sens kBtu/h [kW]	16.3 [4.8]	15.6 [4.6]	14.5 [4.2]	19.2 [5.6]	18.4 [5.4]	17.1 [5.0]	22.1 [6.5]	21.2 [6.2]	19.7 [5.8]
		Power	1.7	1.7	1.7	1.7	1.7	1.7	1.7	1.6	1.6
	85 [29.4]	Total kBtu/h [kW]	28.2 [8.3]	27.7 [8.1]	27.0 [7.9]	26.5 [7.8]	26.1 [7.6]	25.4 [7.4]	24.8 [7.3]	24.4 [7.2]	23.7 [6.9]
		Sens kBtu/h [kW]	15.8 [4.6]	15.2 [4.5]	14.1 [4.1]	18.7 [5.5]	18.0 [5.3]	16.7 [4.9]	21.6 [6.3]	20.7 [6.1]	19.3 [5.7]
		Power	1.8	1.8	1.8	1.8	1.8	1.8	1.8	1.8	1.7
	90 [32.2]	Total kBtu/h [kW]	27.3 [8.0]	26.9 [7.9]	26.2 [7.7]	25.7 [7.5]	25.2 [7.4]	24.5 [7.2]	24.0 [7.0]	23.6 [6.9]	22.9 [6.7]
		Sens kBtu/h [kW]	15.4 [4.5]	14.7 [4.3]	13.7 [4.0]	18.3 [5.4]	17.5 [5.1]	16.3 [4.8]	21.2 [6.2]	20.3 [5.9]	18.9 [5.5]
		Power	2.0	1.9	1.9	2.0	1.9	1.9	1.9	1.9	1.9
95 [35]	Total kBtu/h [kW]	26.5 [7.8]	26.1 [7.6]	25.3 [7.4]	24.8 [7.3]	24.4 [7.2]	23.7 [6.9]	23.1 [6.8]	22.8 [6.7]	22.1 [6.5]	
	Sens kBtu/h [kW]	14.9 [4.4]	14.3 [4.2]	13.3 [3.9]	17.8 [5.2]	17.1 [5.0]	15.9 [4.7]	20.7 [6.1]	19.9 [5.8]	18.5 [5.4]	
	Power	2.1	2.1	2.0	2.1	2.1	2.0	2.0	2.0	2.0	
100 [37.8]	Total kBtu/h [kW]	25.7 [7.5]	25.2 [7.4]	24.5 [7.2]	24.0 [7.0]	23.6 [6.9]	22.9 [6.7]	22.3 [6.5]	21.9 [6.4]	21.3 [6.2]	
	Sens kBtu/h [kW]	14.4 [4.2]	13.9 [4.1]	12.9 [3.8]	17.3 [5.1]	16.6 [4.9]	15.5 [4.5]	20.2 [5.9]	19.4 [5.7]	18.0 [5.3]	
	Power	2.2	2.2	2.2	2.2	2.2	2.2	2.2	2.1	2.1	
105 [40.6]	Total kBtu/h [kW]	24.8 [7.3]	24.4 [7.2]	23.7 [6.9]	23.1 [6.8]	22.7 [6.7]	22.1 [6.5]	21.4 [6.3]	21.1 [6.2]	20.5 [6.0]	
	Sens kBtu/h [kW]	14.0 [4.1]	13.4 [3.9]	12.5 [3.7]	16.9 [5.0]	16.2 [4.7]	15.0 [4.4]	19.8 [5.8]	19.0 [5.6]	17.6 [5.2]	
	Power	2.3	2.3	2.3	2.3	2.3	2.3	2.3	2.3	2.2	
110 [43.3]	Total kBtu/h [kW]	24.0 [7.0]	23.6 [6.9]	22.9 [6.7]	22.3 [6.5]	21.9 [6.4]	21.3 [6.2]	20.6 [6.0]	20.3 [5.9]	19.7 [5.8]	
	Sens kBtu/h [kW]	13.5 [4.0]	13.0 [3.8]	12.0 [3.5]	16.4 [4.8]	15.7 [4.6]	14.6 [4.3]	19.3 [5.7]	18.5 [5.4]	17.2 [5.0]	
	Power	2.5	2.4	2.4	2.5	2.4	2.4	2.4	2.4	2.4	
115 [46.1]	Total kBtu/h [kW]	23.1 [6.8]	22.7 [6.7]	22.1 [6.5]	21.4 [6.3]	21.1 [6.2]	20.5 [6.0]	19.8 [5.8]	19.4 [5.7]	18.9 [5.5]	
	Sens kBtu/h [kW]	13.0 [3.8]	12.5 [3.7]	11.6 [3.4]	15.9 [4.7]	15.3 [4.5]	14.2 [4.2]	18.8 [5.5]	18.1 [5.3]	16.8 [4.9]	
	Power	2.6	2.6	2.5	2.6	2.6	2.5	2.5	2.5	2.5	
120 [48.9]	Total kBtu/h [kW]	22.3 [6.5]	21.9 [6.4]	21.3 [6.2]	20.6 [6.0]	20.3 [5.9]	19.7 [5.8]	18.9 [5.5]	18.6 [5.5]	18.1 [5.3]	
	Sens kBtu/h [kW]	12.6 [3.7]	12.1 [3.5]	11.2 [3.3]	15.5 [4.5]	14.8 [4.3]	13.8 [4.0]	18.4 [5.4]	17.6 [5.2]	16.4 [4.8]	
	Power	2.7	2.7	2.7	2.7	2.7	2.7	2.7	2.6	2.6	
125 [51.7]	Total kBtu/h [kW]	21.4 [6.3]	21.1 [6.2]	20.5 [6.0]	19.7 [5.8]	19.4 [5.7]	18.9 [5.5]	18.1 [5.3]	17.8 [5.2]	17.3 [5.1]	
	Sens kBtu/h [kW]	12.1 [3.5]	11.6 [3.4]	10.8 [3.2]	15.0 [4.4]	14.4 [4.2]	13.4 [3.9]	17.9 [5.2]	17.2 [5.0]	16.0 [4.7]	
	Power	2.8	2.8	2.8	2.8	2.8	2.8	2.8	2.8	2.7	

DR —Depression ratio  
 dbE —Entering air dry bulb  
 wbE—Entering air wet bulb

Total —Total capacity x 1000 Btu/h  
 Sens —Sensible capacity x 1000 Btu/h  
 Power —kW input

**NOTES:** ① When the entering air dry bulb is other than 80°F [27°C], adjust the sensible capacity from the table by adding [1.10 x CFM x (1 – DR) x (dbE – 80)].

[ ] Designates Metric Conversions

## GROSS SYSTEMS PERFORMANCE DATA—RACAYB030

ENTERING INDOOR AIR @ 80°F [26.7°C] dbE ①											
wbE		71°F [21.7°C]			67°F [19.4°C]			63°F [17.2°C]			
CFM [L/s]		1125 [531]	1050 [496]	875 [413]	1125 [531]	1050 [496]	875 [413]	1125 [531]	1050 [496]	875 [413]	
DR ①		.05	.09	.12	.05	.09	.12	.05	.09	.12	
O U T D O O R  D R Y  B U L B  T E M P E R A T U R E  ° F [ ° C]	75 [23.9]	Total kBtu/h [kW]	36.3 [10.6]	35.8 [10.5]	34.8 [10.2]	33.9 [9.9]	33.4 [9.8]	32.4 [9.5]	32.0 [9.4]	31.6 [9.3]	30.7 [9.0]
		Sens kBtu/h [kW]	20.7 [6.1]	20.1 [5.9]	18.5 [5.4]	23.8 [7.0]	23.1 [6.8]	21.3 [6.2]	27.6 [8.1]	26.7 [7.8]	24.6 [7.2]
		Power	2.0	2.0	2.0	2.0	2.0	1.9	2.0	2.0	1.9
	80 [26.7]	Total kBtu/h [kW]	35.4 [10.4]	34.9 [10.2]	33.9 [9.9]	32.9 [9.6]	32.5 [9.5]	31.5 [9.2]	31.1 [9.1]	30.7 [9.0]	29.8 [8.7]
		Sens kBtu/h [kW]	20.4 [6.0]	19.7 [5.8]	18.2 [5.3]	23.5 [6.9]	22.8 [6.7]	21.0 [6.2]	27.3 [8.0]	26.4 [7.7]	24.3 [7.1]
		Power	2.1	2.1	2.1	2.1	2.1	2.0	2.1	2.1	2.0
	85 [29.4]	Total kBtu/h [kW]	34.4 [10.1]	34.0 [10.0]	32.9 [9.6]	32.0 [9.4]	31.5 [9.2]	30.6 [9.0]	30.1 [8.8]	29.8 [8.7]	28.9 [8.5]
		Sens kBtu/h [kW]	20.1 [5.9]	19.4 [5.7]	17.9 [5.2]	23.2 [6.8]	22.4 [6.6]	20.7 [6.1]	26.9 [7.9]	26.1 [7.6]	24.0 [7.0]
		Power	2.2	2.2	2.2	2.2	2.2	2.2	2.2	2.2	2.1
	90 [32.2]	Total kBtu/h [kW]	33.4 [9.8]	33.0 [9.7]	32.0 [9.4]	31.0 [9.1]	30.6 [9.0]	29.6 [8.7]	29.1 [8.5]	28.8 [8.4]	27.9 [8.2]
		Sens kBtu/h [kW]	19.7 [5.8]	19.1 [5.6]	17.6 [5.2]	22.8 [6.7]	22.1 [6.5]	20.4 [6.0]	26.6 [7.8]	25.7 [7.5]	23.7 [6.9]
		Power	2.3	2.3	2.3	2.3	2.3	2.3	2.3	2.3	2.3
95 [35]	Total kBtu/h [kW]	32.4 [9.5]	32.0 [9.4]	31.0 [9.1]	30.0 [8.8]	29.6 [8.7]	28.7 [8.4]	28.1 [8.2]	27.8 [8.1]	26.9 [7.9]	
	Sens kBtu/h [kW]	19.3 [5.7]	18.7 [5.5]	17.2 [5.0]	22.4 [6.6]	21.7 [6.4]	20.0 [5.9]	26.2 [7.7]	25.3 [7.4]	23.4 [6.9]	
	Power	2.5	2.5	2.4	2.5	2.5	2.4	2.5	2.5	2.4	
100 [37.8]	Total kBtu/h [kW]	31.4 [9.2]	31.0 [9.1]	30.0 [8.8]	28.9 [8.5]	28.5 [8.4]	27.7 [8.1]	27.1 [7.9]	26.7 [7.8]	25.9 [7.6]	
	Sens kBtu/h [kW]	18.9 [5.5]	18.3 [5.4]	16.9 [5.0]	22.0 [6.4]	21.3 [6.2]	19.7 [5.8]	25.8 [7.6]	24.9 [7.3]	23.0 [6.7]	
	Power	2.7	2.6	2.6	2.6	2.6	2.6	2.6	2.6	2.6	
105 [40.6]	Total kBtu/h [kW]	30.3 [8.9]	29.9 [8.8]	29.0 [8.5]	27.9 [8.2]	27.5 [8.1]	26.7 [7.8]	26.0 [7.6]	25.7 [7.5]	24.9 [7.3]	
	Sens kBtu/h [kW]	18.5 [5.4]	17.9 [5.2]	16.5 [4.8]	21.6 [6.3]	20.9 [6.1]	19.3 [5.7]	25.3 [7.4]	24.5 [7.2]	22.6 [6.6]	
	Power	2.8	2.8	2.8	2.8	2.8	2.8	2.8	2.8	2.7	
110 [43.3]	Total kBtu/h [kW]	29.2 [8.6]	28.8 [8.4]	28.0 [8.2]	26.8 [7.9]	26.4 [7.7]	25.6 [7.5]	24.9 [7.3]	24.6 [7.2]	23.9 [7.0]	
	Sens kBtu/h [kW]	18.0 [5.3]	17.4 [5.1]	16.1 [4.7]	21.1 [6.2]	20.4 [6.0]	18.9 [5.5]	24.9 [7.3]	24.1 [7.1]	22.2 [6.5]	
	Power	3.0	3.0	2.9	3.0	3.0	2.9	3.0	3.0	2.9	
115 [46.1]	Total kBtu/h [kW]	28.1 [8.2]	27.7 [8.1]	26.9 [7.9]	25.7 [7.5]	25.3 [7.4]	24.6 [7.2]	23.8 [7.0]	23.5 [6.9]	22.8 [6.7]	
	Sens kBtu/h [kW]	17.5 [5.1]	17.0 [5.0]	15.6 [4.6]	20.6 [6.0]	20.0 [5.9]	18.4 [5.4]	23.8 [7.0]	23.5 [6.9]	21.8 [6.4]	
	Power	3.2	3.2	3.1	3.2	3.2	3.1	3.2	3.2	3.1	
120 [48.9]	Total kBtu/h [kW]	27.0 [7.9]	26.6 [7.8]	25.8 [7.6]	24.5 [7.2]	24.2 [7.1]	23.5 [6.9]	22.7 [6.7]	22.4 [6.6]	21.7 [6.4]	
	Sens kBtu/h [kW]	17.0 [5.0]	16.5 [4.8]	15.2 [4.5]	20.1 [5.9]	19.5 [5.7]	18.0 [5.3]	22.7 [6.7]	22.4 [6.6]	21.3 [6.2]	
	Power	3.4	3.4	3.3	3.4	3.4	3.3	3.4	3.4	3.3	
125 [51.7]	Total kBtu/h [kW]	25.8 [7.6]	25.5 [7.5]	24.7 [7.2]	23.4 [6.9]	23.1 [6.8]	22.4 [6.6]	21.5 [6.3]	21.3 [6.2]	20.6 [6.0]	
	Sens kBtu/h [kW]	16.5 [4.8]	16.0 [4.7]	14.7 [4.3]	19.6 [5.7]	19.0 [5.6]	17.5 [5.1]	21.5 [6.3]	21.3 [6.2]	20.6 [6.0]	
	Power	3.6	3.6	3.6	3.6	3.6	3.5	3.6	3.6	3.5	

DR —Depression ratio  
dbE —Entering air dry bulb  
wbE—Entering air wet bulb

Total —Total capacity x 1000 Btu/h  
Sens —Sensible capacity x 1000 Btu/h  
Power —kW input

**NOTES:** ① When the entering air dry bulb is other than 80°F [27°C], adjust the sensible capacity from the table by adding [1.10 x CFM x (1 – DR) x (dbE – 80)].

[ ] Designates Metric Conversions

## GROSS SYSTEMS PERFORMANCE DATA – RACAYB036

ENTERING INDOOR AIR @ 80°F [26.7°C] dbE ①											
wbE			71°F [21.7°C]			67°F [19.4°C]			63°F [17.2°C]		
CFM [L/s]			1350 [637]	1100 [519]	1050 [496]	1350 [637]	1100 [519]	1050 [496]	1350 [637]	1100 [519]	1050 [496]
DR ①			.05	.09	.12	.05	.09	.12	.05	.09	.12
OUTDOOR DRY BULB TEMPERATURE °F [°C]	75 [23.9]	Total kBtu/h [kW]	45.0 [13.2]	43.2 [12.7]	42.8 [12.5]	42.6 [12.5]	40.9 [12.0]	40.5 [11.9]	40.1 [11.8]	38.6 [11.3]	38.2 [11.2]
		Sens kBtu/h [kW]	26.0 [7.6]	23.5 [6.9]	23.0 [6.7]	30.1 [8.8]	27.2 [8.0]	26.6 [7.8]	34.2 [10.0]	30.9 [9.1]	30.3 [8.9]
		Power	2.3	2.3	2.3	2.3	2.3	2.3	2.3	2.3	2.3
	80 [26.7]	Total kBtu/h [kW]	43.7 [12.8]	42.0 [12.3]	41.6 [12.2]	41.3 [12.1]	39.6 [11.6]	39.3 [11.5]	38.9 [11.4]	37.3 [10.9]	37.0 [10.8]
		Sens kBtu/h [kW]	25.4 [7.4]	22.9 [6.7]	22.5 [6.6]	29.5 [8.6]	26.7 [7.8]	26.1 [7.6]	33.6 [9.8]	30.4 [8.9]	29.7 [8.7]
		Power	2.5	2.4	2.4	2.5	2.4	2.4	2.5	2.4	2.4
	85 [29.4]	Total kBtu/h [kW]	42.4 [12.4]	40.7 [11.9]	40.4 [11.8]	40.0 [11.7]	38.4 [11.3]	38.1 [11.2]	37.6 [11.0]	36.1 [10.6]	35.8 [10.5]
		Sens kBtu/h [kW]	24.8 [7.3]	22.4 [6.6]	21.9 [6.4]	28.9 [8.5]	26.1 [7.6]	25.6 [7.5]	33.0 [9.7]	29.8 [8.7]	29.2 [8.6]
		Power	2.6	2.6	2.5	2.6	2.6	2.5	2.6	2.6	2.5
	90 [32.2]	Total kBtu/h [kW]	41.2 [12.1]	39.5 [11.6]	39.2 [11.5]	38.8 [11.4]	37.2 [10.9]	36.9 [10.8]	36.4 [10.7]	34.9 [10.2]	34.6 [10.1]
		Sens kBtu/h [kW]	24.2 [7.1]	21.9 [6.4]	21.4 [6.3]	28.3 [8.3]	25.6 [7.5]	25.0 [7.3]	32.4 [9.5]	29.3 [8.6]	28.6 [8.4]
		Power	2.8	2.7	2.7	2.8	2.7	2.7	2.8	2.7	2.7
95 [35]	Total kBtu/h [kW]	39.9 [11.7]	38.3 [11.2]	38.0 [11.1]	37.5 [11.0]	36.0 [10.6]	35.7 [10.5]	35.1 [10.3]	33.7 [9.9]	33.4 [9.8]	
	Sens kBtu/h [kW]	23.6 [6.9]	21.3 [6.2]	20.9 [6.1]	27.7 [8.1]	25.0 [7.3]	24.5 [7.2]	31.8 [9.3]	28.7 [8.4]	28.1 [8.2]	
	Power	2.9	2.9	2.9	2.9	2.9	2.9	2.9	2.9	2.8	
100 [37.8]	Total kBtu/h [kW]	38.6 [11.3]	37.1 [10.9]	36.8 [10.8]	36.2 [10.6]	34.8 [10.2]	34.5 [10.1]	33.8 [9.9]	32.5 [9.5]	32.2 [9.4]	
	Sens kBtu/h [kW]	23.0 [6.7]	20.8 [6.1]	20.3 [5.9]	27.1 [7.9]	24.5 [7.2]	23.9 [7.0]	31.2 [9.1]	28.2 [8.3]	27.6 [8.1]	
	Power	3.1	3.0	3.0	3.1	3.0	3.0	3.1	3.0	3.0	
105 [40.6]	Total kBtu/h [kW]	37.4 [11.0]	35.9 [10.5]	35.6 [10.4]	35.0 [10.3]	33.6 [9.8]	33.3 [9.8]	32.6 [9.6]	31.3 [9.2]	31.0 [9.1]	
	Sens kBtu/h [kW]	22.4 [6.6]	20.2 [5.9]	19.8 [5.8]	26.5 [7.8]	23.9 [7.0]	23.4 [6.9]	30.6 [9.0]	27.6 [8.1]	27.0 [7.9]	
	Power	3.3	3.2	3.2	3.3	3.2	3.2	3.3	3.2	3.2	
110 [43.3]	Total kBtu/h [kW]	36.1 [10.6]	34.7 [10.2]	34.4 [10.1]	33.7 [9.9]	32.4 [9.5]	32.1 [9.4]	31.3 [9.2]	30.0 [8.8]	29.8 [8.7]	
	Sens kBtu/h [kW]	21.8 [6.4]	19.7 [5.8]	19.2 [5.6]	25.9 [7.6]	23.4 [6.9]	22.9 [6.7]	30.0 [8.8]	27.1 [7.9]	26.5 [7.8]	
	Power	3.5	3.4	3.4	3.5	3.4	3.4	3.5	3.4	3.4	
115 [46.1]	Total kBtu/h [kW]	34.8 [10.2]	33.4 [9.8]	33.2 [9.7]	32.4 [9.5]	31.1 [9.1]	30.9 [9.1]	30.0 [8.8]	28.8 [8.4]	28.6 [8.4]	
	Sens kBtu/h [kW]	21.1 [6.2]	19.1 [5.6]	18.7 [5.5]	25.3 [7.4]	22.8 [6.7]	22.3 [6.5]	29.4 [8.6]	26.5 [7.8]	26.0 [7.6]	
	Power	3.7	3.6	3.6	3.7	3.6	3.6	3.7	3.6	3.6	
120 [48.9]	Total kBtu/h [kW]	33.6 [9.8]	32.2 [9.4]	32.0 [9.4]	31.2 [9.1]	29.9 [8.8]	29.7 [8.7]	28.8 [8.4]	27.6 [8.1]	27.4 [8.0]	
	Sens kBtu/h [kW]	20.5 [6.0]	18.6 [5.5]	18.2 [5.3]	24.6 [7.2]	22.3 [6.5]	21.8 [6.4]	28.8 [8.4]	26.0 [7.6]	25.4 [7.4]	
	Power	3.9	3.8	3.8	3.9	3.8	3.8	3.9	3.8	3.8	
125 [51.7]	Total kBtu/h [kW]	32.3 [9.5]	31.0 [9.1]	30.8 [9.0]	29.9 [8.8]	28.7 [8.4]	28.5 [8.4]	27.5 [8.1]	26.4 [7.7]	26.2 [7.7]	
	Sens kBtu/h [kW]	19.9 [5.8]	18.0 [5.3]	17.6 [5.2]	24.0 [7.0]	21.7 [6.4]	21.3 [6.2]	27.5 [8.1]	25.4 [7.4]	24.9 [7.3]	
	Power	4.1	4.0	4.0	4.1	4.0	4.0	4.1	4.0	4.0	

DR —Depression ratio  
 dbE —Entering air dry bulb  
 wbE—Entering air wet bulb

Total —Total capacity x 1000 Btu/h  
 Sens —Sensible capacity x 1000 Btu/h  
 Power —kW input

**NOTES:** ① When the entering air dry bulb is other than 80°F [27°C], adjust the sensible capacity from the table by adding [1.10 x CFM x (1 – DR) x (dbE – 80)].

[ ] Designates Metric Conversions

## GROSS SYSTEMS PERFORMANCE DATA—RACAYB042

ENTERING INDOOR AIR @ 80°F [26.7°C] dbE ①											
wbE		71°F [21.7°C]			67°F [19.4°C]			63°F [17.2°C]			
CFM [L/s]		1575 [743]	1400 [661]	1225 [578]	1575 [743]	1400 [661]	1225 [578]	1575 [743]	1400 [661]	1225 [578]	
DR ①		.05	.09	.12	.05	.09	.12	.05	.09	.12	
O U T D O O R  D R Y  B U L B  T E M P E R A T U R E  ° F [ ° C]	75 [23.9]	Total kBtu/h [kW]	52.8 [15.5]	51.7 [15.2]	50.5 [14.8]	49.6 [14.5]	48.5 [14.2]	47.4 [13.9]	47.3 [13.9]	46.2 [13.5]	45.2 [13.2]
		Sens kBtu/h [kW]	29.5 [8.6]	27.9 [8.2]	26.3 [7.7]	33.6 [9.8]	31.7 [9.3]	29.9 [8.8]	38.6 [11.3]	36.5 [10.7]	34.4 [10.1]
		Power	2.7	2.7	2.7	2.7	2.7	2.7	2.8	2.7	2.7
	80 [26.7]	Total kBtu/h [kW]	51.6 [15.1]	50.5 [14.8]	49.3 [14.4]	48.4 [14.2]	47.3 [13.9]	46.2 [13.5]	46.1 [13.5]	45.0 [13.2]	44.0 [12.9]
		Sens kBtu/h [kW]	29.3 [8.6]	27.7 [8.1]	26.1 [7.6]	33.4 [9.8]	31.5 [9.2]	29.7 [8.7]	38.4 [11.3]	36.3 [10.6]	34.2 [10.0]
		Power	2.9	2.9	2.8	2.9	2.9	2.9	2.9	2.9	2.9
	85 [29.4]	Total kBtu/h [kW]	50.3 [14.7]	49.2 [14.4]	48.1 [14.1]	47.1 [13.8]	46.1 [13.5]	45.0 [13.2]	44.8 [13.1]	43.8 [12.8]	42.8 [12.5]
		Sens kBtu/h [kW]	29.1 [8.5]	27.5 [8.1]	25.9 [7.6]	33.1 [9.7]	31.3 [9.2]	29.5 [8.6]	38.2 [11.2]	36.0 [10.6]	33.9 [9.9]
		Power	3.1	3.1	3.0	3.1	3.1	3.0	3.1	3.1	3.0
	90 [32.2]	Total kBtu/h [kW]	49.0 [14.4]	48.0 [14.1]	46.9 [13.7]	45.8 [13.4]	44.8 [13.1]	43.8 [12.8]	43.5 [12.7]	42.5 [12.5]	41.6 [12.2]
		Sens kBtu/h [kW]	28.8 [8.4]	27.2 [8.0]	25.6 [7.5]	32.8 [9.6]	31.0 [9.1]	29.2 [8.6]	37.9 [11.1]	35.8 [10.5]	33.7 [9.9]
		Power	3.3	3.2	3.2	3.3	3.3	3.2	3.3	3.3	3.2
95 [35]	Total kBtu/h [kW]	47.7 [14.0]	46.6 [13.7]	45.6 [13.4]	44.5 [13.0]	43.5 [12.7]	42.5 [12.5]	42.2 [12.4]	41.2 [12.1]	40.3 [11.8]	
	Sens kBtu/h [kW]	28.4 [8.3]	26.9 [7.9]	25.3 [7.4]	32.5 [9.5]	30.7 [9.0]	28.9 [8.5]	37.5 [11.0]	35.5 [10.4]	33.4 [9.8]	
	Power	3.5	3.4	3.4	3.5	3.4	3.4	3.5	3.4	3.4	
100 [37.8]	Total kBtu/h [kW]	46.3 [13.6]	45.3 [13.3]	44.3 [13.0]	43.1 [12.6]	42.1 [12.3]	41.2 [12.1]	40.8 [12.0]	39.9 [11.7]	39.0 [11.4]	
	Sens kBtu/h [kW]	28.1 [8.2]	26.5 [7.8]	25.0 [7.3]	32.1 [9.4]	30.4 [8.9]	28.6 [8.4]	37.2 [10.9]	35.1 [10.3]	33.1 [9.7]	
	Power	3.6	3.6	3.6	3.6	3.6	3.6	3.7	3.6	3.6	
105 [40.6]	Total kBtu/h [kW]	44.9 [13.2]	43.9 [12.9]	42.9 [12.6]	41.7 [12.2]	40.7 [11.9]	39.8 [11.7]	39.3 [11.5]	38.5 [11.3]	37.6 [11.0]	
	Sens kBtu/h [kW]	27.6 [8.1]	26.1 [7.6]	24.6 [7.2]	31.7 [9.3]	30.0 [8.8]	28.2 [8.3]	36.7 [10.8]	34.7 [10.2]	32.7 [9.6]	
	Power	3.8	3.8	3.7	3.8	3.8	3.7	3.8	3.8	3.7	
110 [43.3]	Total kBtu/h [kW]	43.4 [12.7]	42.5 [12.5]	41.5 [12.2]	40.2 [11.8]	39.3 [11.5]	38.4 [11.3]	37.9 [11.1]	37.0 [10.8]	36.2 [10.6]	
	Sens kBtu/h [kW]	27.2 [8.0]	25.7 [7.5]	24.2 [7.1]	31.3 [9.2]	29.5 [8.6]	27.8 [8.1]	36.3 [10.6]	34.3 [10.1]	32.3 [9.5]	
	Power	4.0	3.9	3.9	4.0	4.0	3.9	4.0	4.0	3.9	
115 [46.1]	Total kBtu/h [kW]	41.9 [12.3]	41.0 [12.0]	40.1 [11.8]	38.7 [11.3]	37.9 [11.1]	37.0 [10.8]	36.4 [10.7]	35.6 [10.4]	34.8 [10.2]	
	Sens kBtu/h [kW]	26.7 [7.8]	25.2 [7.4]	23.7 [6.9]	30.8 [9.0]	29.1 [8.5]	27.4 [8.0]	35.8 [10.5]	33.8 [9.9]	31.8 [9.3]	
	Power	4.2	4.1	4.1	4.2	4.1	4.1	4.2	4.1	4.1	
110 [43.3]	Total kBtu/h [kW]	40.4 [11.8]	39.5 [11.6]	38.6 [11.3]	37.2 [10.9]	36.3 [10.6]	35.5 [10.4]	34.8 [10.2]	34.1 [10.0]	33.3 [9.8]	
	Sens kBtu/h [kW]	26.2 [7.7]	24.7 [7.2]	23.3 [6.8]	30.2 [8.9]	28.6 [8.4]	26.9 [7.9]	34.8 [10.2]	33.3 [9.8]	31.4 [9.2]	
	Power	4.3	4.3	4.3	4.4	4.3	4.3	4.4	4.3	4.3	
115 [46.1]	Total kBtu/h [kW]	38.8 [11.4]	38.0 [11.1]	37.1 [10.9]	35.6 [10.4]	34.8 [10.2]	34.0 [10.0]	33.3 [9.8]	32.5 [9.5]	31.8 [9.3]	
	Sens kBtu/h [kW]	25.6 [7.5]	24.2 [7.1]	22.8 [6.7]	29.7 [8.7]	28.0 [8.2]	26.4 [7.7]	33.3 [9.8]	32.5 [9.5]	30.9 [9.1]	
	Power	4.5	4.5	4.4	4.5	4.5	4.4	4.6	4.5	4.5	

DR —Depression ratio  
 dbE —Entering air dry bulb  
 wbE—Entering air wet bulb

Total —Total capacity x 1000 Btu/h  
 Sens —Sensible capacity x 1000 Btu/h  
 Power —kW input

NOTES: ① When the entering air dry bulb is other than 80°F [27°C], adjust the sensible capacity from the table by adding [1.10 x CFM x (1 – DR) x (dbE – 80)].

[ ] Designates Metric Conversions

## GROSS SYSTEMS PERFORMANCE DATA – RACAYB048

ENTERING INDOOR AIR @ 80°F [26.7°C] dbE ①											
wbE			71°F [21.7°C]			67°F [19.4°C]			63°F [17.2°C]		
CFM [L/s]			1800 [850]	1550 [732]	1400 [661]	1800 [850]	1550 [732]	1400 [661]	1800 [850]	1550 [732]	1400 [661]
DR ①			.05	.09	.12	.05	.09	.12	.05	.09	.12
O U T D O O R  D R Y  B U L B  T E M P E R A T U R E  ° F [ ° C]	75 [23.9]	Total kBtu/h [kW]	59.4 [17.4]	57.7 [16.9]	56.7 [16.6]	57.9 [17.0]	56.2 [16.5]	55.2 [16.2]	53.3 [15.6]	51.8 [15.2]	50.8 [14.9]
		Sens kBtu/h [kW]	39.5 [11.6]	36.8 [10.8]	35.1 [10.3]	41.6 [12.2]	38.7 [11.3]	37.0 [10.8]	49.8 [14.6]	46.3 [13.6]	44.2 [13.0]
		Power	3.6	3.5	3.5	3.6	3.5	3.5	3.6	3.5	3.5
	80 [26.7]	Total kBtu/h [kW]	58.1 [17.0]	56.4 [16.5]	55.5 [16.3]	56.6 [16.6]	55.0 [16.1]	54.0 [15.8]	52.0 [15.2]	50.5 [14.8]	49.6 [14.5]
		Sens kBtu/h [kW]	38.3 [11.2]	35.6 [10.4]	34.0 [10.0]	40.4 [11.8]	37.6 [11.0]	35.9 [10.5]	48.6 [14.2]	45.2 [13.2]	43.1 [12.6]
		Power	3.7	3.6	3.6	3.7	3.6	3.6	3.7	3.6	3.6
	85 [29.4]	Total kBtu/h [kW]	56.7 [16.6]	55.1 [16.1]	54.1 [15.9]	55.2 [16.2]	53.6 [15.7]	52.7 [15.4]	50.6 [14.8]	49.2 [14.4]	48.3 [14.2]
		Sens kBtu/h [kW]	37.2 [10.9]	34.6 [10.1]	33.1 [9.7]	39.3 [11.5]	36.6 [10.7]	34.9 [10.2]	47.5 [13.9]	44.2 [13.0]	42.2 [12.4]
		Power	3.8	3.8	3.8	3.8	3.8	3.8	3.8	3.8	3.7
	90 [32.2]	Total kBtu/h [kW]	55.3 [16.2]	53.7 [15.7]	52.7 [15.4]	53.7 [15.7]	52.2 [15.3]	51.3 [15.0]	49.1 [14.4]	47.7 [14.0]	46.9 [13.7]
		Sens kBtu/h [kW]	36.2 [10.6]	33.7 [9.9]	32.2 [9.4]	38.3 [11.2]	35.7 [10.5]	34.0 [10.0]	46.5 [13.6]	43.2 [12.7]	41.3 [12.1]
		Power	4.0	4.0	3.9	4.0	4.0	3.9	4.0	3.9	3.9
95 [35]	Total kBtu/h [kW]	53.7 [15.7]	52.2 [15.3]	51.2 [15.0]	52.2 [15.3]	50.7 [14.9]	49.8 [14.6]	47.6 [14.0]	46.2 [13.5]	45.4 [13.3]	
	Sens kBtu/h [kW]	35.4 [10.4]	32.9 [9.6]	31.4 [9.2]	37.5 [11.0]	34.8 [10.2]	33.3 [9.8]	45.6 [13.4]	42.4 [12.4]	40.5 [11.9]	
	Power	4.2	4.2	4.1	4.2	4.1	4.1	4.2	4.1	4.1	
100 [37.8]	Total kBtu/h [kW]	52.0 [15.2]	50.5 [14.8]	49.7 [14.6]	50.5 [14.8]	49.1 [14.4]	48.2 [14.1]	45.9 [13.5]	44.6 [13.1]	43.8 [12.8]	
	Sens kBtu/h [kW]	34.6 [10.1]	32.2 [9.4]	30.7 [9.0]	36.7 [10.8]	34.1 [10.0]	32.6 [9.6]	44.8 [13.1]	41.7 [12.2]	39.8 [11.7]	
	Power	4.4	4.4	4.3	4.4	4.4	4.3	4.4	4.4	4.3	
105 [40.6]	Total kBtu/h [kW]	50.3 [14.7]	48.8 [14.3]	48.0 [14.1]	48.7 [14.3]	47.4 [13.9]	46.5 [13.6]	44.2 [13.0]	42.9 [12.6]	42.2 [12.4]	
	Sens kBtu/h [kW]	33.9 [9.9]	31.5 [9.2]	30.1 [8.8]	36.0 [10.6]	33.5 [9.8]	32.0 [9.4]	44.1 [12.9]	41.1 [12.0]	39.2 [11.5]	
	Power	4.7	4.6	4.6	4.7	4.6	4.6	4.7	4.6	4.5	
110 [43.3]	Total kBtu/h [kW]	48.4 [14.2]	47.1 [13.8]	46.2 [13.5]	46.9 [13.7]	45.6 [13.4]	44.8 [13.1]	42.3 [12.4]	41.1 [12.0]	40.4 [11.8]	
	Sens kBtu/h [kW]	33.3 [9.8]	31.0 [9.1]	29.6 [8.7]	35.4 [10.4]	32.9 [9.6]	31.5 [9.2]	42.3 [12.4]	40.5 [11.9]	38.7 [11.3]	
	Power	4.9	4.9	4.8	4.9	4.8	4.8	4.9	4.8	4.8	
115 [46.1]	Total kBtu/h [kW]	46.5 [13.6]	45.2 [13.2]	44.4 [13.0]	45.0 [13.2]	43.7 [12.8]	42.9 [12.6]	40.4 [11.8]	39.2 [11.5]	38.5 [11.3]	
	Sens kBtu/h [kW]	32.9 [9.6]	30.6 [9.0]	29.2 [8.6]	34.9 [10.2]	32.5 [9.5]	31.0 [9.1]	40.4 [11.8]	39.2 [11.5]	38.3 [11.2]	
	Power	5.2	5.1	5.1	5.2	5.1	5.1	5.2	5.1	5.1	
120 [48.9]	Total kBtu/h [kW]	44.5 [13.0]	43.2 [12.7]	42.4 [12.4]	42.9 [12.6]	41.7 [12.2]	41.0 [12.0]	38.4 [11.3]	37.3 [10.9]	36.6 [10.7]	
	Sens kBtu/h [kW]	32.5 [9.5]	30.2 [8.9]	28.8 [8.4]	34.6 [10.1]	32.2 [9.4]	30.7 [9.0]	38.4 [11.3]	37.3 [10.9]	36.6 [10.7]	
	Power	5.5	5.4	5.4	5.5	5.4	5.4	5.5	5.4	5.4	
125 [51.7]	Total kBtu/h [kW]	42.3 [12.4]	41.1 [12.0]	40.4 [11.8]	40.8 [12.0]	39.7 [11.6]	39.0 [11.4]	36.2 [10.6]	35.2 [10.3]	34.6 [10.1]	
	Sens kBtu/h [kW]	32.2 [9.4]	30.0 [8.8]	28.6 [8.4]	34.3 [10.1]	31.9 [9.3]	30.5 [8.9]	36.2 [10.6]	35.2 [10.3]	34.6 [10.1]	
	Power	5.8	5.8	5.7	5.8	5.7	5.7	5.8	5.7	5.7	

DR —Depression ratio  
 dbE —Entering air dry bulb  
 wbE—Entering air wet bulb

Total —Total capacity x 1000 Btu/h  
 Sens —Sensible capacity x 1000 Btu/h  
 Power —kW input

**NOTES:** ① When the entering air dry bulb is other than 80°F [27°C], adjust the sensible capacity from the table by adding [1.10 x CFM x (1 – DR) x (dbE – 80)].

[ ] Designates Metric Conversions

## GROSS SYSTEMS PERFORMANCE DATA—RACAYB060

ENTERING INDOOR AIR @ 80°F [26.7°C] dbE ①											
wbE		71°F [21.7°C]			67°F [19.4°C]			63°F [17.2°C]			
CFM [L/s]		2250 [1062]	1750 [826]	1750 [826]	2250 [1062]	1750 [826]	1750 [826]	2250 [1062]	1750 [826]	1750 [826]	
DR ①		.05	.09	.12	.05	.09	.12	.05	.09	.12	
O U T D O O R  D R Y  B U L B  T E M P E R A T U R E  ° F [ ° C]	75 [23.9]	Total kBtu/h [kW]	76.1 [22.3]	72.3 [21.2]	72.3 [21.2]	71.4 [20.9]	67.9 [19.9]	67.9 [19.9]	66.7 [19.5]	63.4 [18.6]	63.4 [18.6]
		Sens kBtu/h [kW]	44.3 [13.0]	39.1 [11.5]	39.1 [11.5]	52.0 [15.2]	45.8 [13.4]	45.8 [13.4]	59.6 [17.5]	52.6 [15.4]	52.6 [15.4]
		Power	4.5	4.4	4.4	4.4	4.3	4.3	4.3	4.2	4.2
	80 [26.7]	Total kBtu/h [kW]	74.1 [21.7]	70.5 [20.7]	70.5 [20.7]	69.5 [20.4]	66.0 [19.3]	66.0 [19.3]	64.8 [19.0]	61.6 [18.1]	61.6 [18.1]
		Sens kBtu/h [kW]	43.1 [12.6]	38.1 [11.2]	38.1 [11.2]	50.8 [14.9]	44.8 [13.1]	44.8 [13.1]	58.4 [17.1]	51.6 [15.1]	51.6 [15.1]
		Power	4.7	4.6	4.6	4.7	4.6	4.6	4.6	4.5	4.5
	85 [29.4]	Total kBtu/h [kW]	72.2 [21.2]	68.6 [20.1]	68.6 [20.1]	67.5 [19.8]	64.2 [18.8]	64.2 [18.8]	62.8 [18.4]	59.7 [17.5]	59.7 [17.5]
		Sens kBtu/h [kW]	42.0 [12.3]	37.1 [10.9]	37.1 [10.9]	49.7 [14.6]	43.8 [12.8]	43.8 [12.8]	57.3 [16.8]	50.6 [14.8]	50.6 [14.8]
		Power	5.0	4.8	4.8	4.9	4.8	4.8	4.8	4.7	4.7
	90 [32.2]	Total kBtu/h [kW]	70.3 [20.6]	66.8 [19.6]	66.8 [19.6]	65.6 [19.2]	62.3 [18.3]	62.3 [18.3]	60.9 [17.8]	57.9 [17.0]	57.9 [17.0]
		Sens kBtu/h [kW]	40.9 [12.0]	36.1 [10.6]	36.1 [10.6]	48.6 [14.2]	42.9 [12.6]	42.9 [12.6]	56.2 [16.5]	49.6 [14.5]	49.6 [14.5]
		Power	5.2	5.1	5.1	5.2	5.0	5.0	5.1	4.9	4.9
95 [35]	Total kBtu/h [kW]	68.3 [20.0]	64.9 [19.0]	64.9 [19.0]	63.6 [18.6]	60.5 [17.7]	60.5 [17.7]	58.9 [17.3]	56.0 [16.4]	56.0 [16.4]	
	Sens kBtu/h [kW]	39.9 [11.7]	35.2 [10.3]	35.2 [10.3]	47.6 [14.0]	42.0 [12.3]	42.0 [12.3]	55.2 [16.2]	48.7 [14.3]	48.7 [14.3]	
	Power	5.5	5.3	5.3	5.4	5.3	5.3	5.3	5.2	5.2	
100 [37.8]	Total kBtu/h [kW]	66.4 [19.5]	63.1 [18.5]	63.1 [18.5]	61.7 [18.1]	58.6 [17.2]	58.6 [17.2]	57.0 [16.7]	54.2 [15.9]	54.2 [15.9]	
	Sens kBtu/h [kW]	38.9 [11.4]	34.3 [10.1]	34.3 [10.1]	46.5 [13.6]	41.1 [12.0]	41.1 [12.0]	54.2 [15.9]	47.8 [14.0]	47.8 [14.0]	
	Power	5.7	5.6	5.6	5.7	5.5	5.5	5.6	5.4	5.4	
105 [40.6]	Total kBtu/h [kW]	64.4 [18.9]	61.2 [17.9]	61.2 [17.9]	59.7 [17.5]	56.8 [16.6]	56.8 [16.6]	55.0 [16.1]	52.3 [15.3]	52.3 [15.3]	
	Sens kBtu/h [kW]	37.9 [11.1]	33.4 [9.8]	33.4 [9.8]	45.6 [13.4]	40.2 [11.8]	40.2 [11.8]	53.2 [15.6]	46.9 [13.7]	46.9 [13.7]	
	Power	5.9	5.8	5.8	5.9	5.8	5.8	5.8	5.7	5.7	
110 [43.3]	Total kBtu/h [kW]	62.5 [18.3]	59.4 [17.4]	59.4 [17.4]	57.8 [16.9]	54.9 [16.1]	54.9 [16.1]	53.1 [15.6]	50.5 [14.8]	50.5 [14.8]	
	Sens kBtu/h [kW]	37.0 [10.8]	32.6 [9.6]	32.6 [9.6]	44.6 [13.1]	39.4 [11.5]	39.4 [11.5]	52.3 [15.3]	46.1 [13.5]	46.1 [13.5]	
	Power	6.2	6.0	6.0	6.1	6.0	6.0	6.0	5.9	5.9	
115 [46.1]	Total kBtu/h [kW]	60.5 [17.7]	57.5 [16.9]	57.5 [16.9]	55.8 [16.4]	53.1 [15.6]	53.1 [15.6]	51.1 [15.0]	48.6 [14.2]	48.6 [14.2]	
	Sens kBtu/h [kW]	36.1 [10.6]	31.8 [9.3]	31.8 [9.3]	43.7 [12.8]	38.6 [11.3]	38.6 [11.3]	51.1 [15.0]	45.3 [13.3]	45.3 [13.3]	
	Power	6.4	6.3	6.3	6.4	6.2	6.2	6.3	6.1	6.1	
120 [48.9]	Total kBtu/h [kW]	58.6 [17.2]	55.7 [16.3]	55.7 [16.3]	53.9 [15.8]	51.2 [15.0]	51.2 [15.0]	49.2 [14.4]	46.8 [13.7]	46.8 [13.7]	
	Sens kBtu/h [kW]	35.2 [10.3]	31.1 [9.1]	31.1 [9.1]	42.9 [12.6]	37.8 [11.1]	37.8 [11.1]	49.2 [14.4]	44.6 [13.1]	44.6 [13.1]	
	Power	6.7	6.5	6.5	6.6	6.5	6.5	6.5	6.4	6.4	
125 [51.7]	Total kBtu/h [kW]	56.6 [16.6]	53.8 [15.8]	53.8 [15.8]	51.9 [15.2]	49.4 [14.5]	49.4 [14.5]	47.2 [13.8]	44.9 [13.2]	44.9 [13.2]	
	Sens kBtu/h [kW]	34.4 [10.1]	30.3 [8.9]	30.3 [8.9]	42.0 [12.3]	37.1 [10.9]	37.1 [10.9]	47.2 [13.8]	43.8 [12.8]	43.8 [12.8]	
	Power	6.9	6.7	6.7	6.9	6.7	6.7	6.8	6.6	6.6	

DR —Depression ratio  
 dbE —Entering air dry bulb  
 wbE—Entering air wet bulb

Total —Total capacity x 1000 Btu/h  
 Sens —Sensible capacity x 1000 Btu/h  
 Power —kW input

NOTES: ① When the entering air dry bulb is other than 80°F [27°C], adjust the sensible capacity from the table by adding [1.10 x CFM x (1 - DR) x (dbE - 80)].

[ ] Designates Metric Conversions

# INDOOR AIRFLOW PERFORMANCE RACAYB - (208/230V, 1-PHASE) CONSTANT TORQUE MOTOR

Nominal Cooling Capacity Tons [kW]	Motor Speed from Factory		Recommended Speed Tap for Field Installed Heater Kit	Manufacturer Recommended Cooling Airflow (Min/Max)	Blower Size, Motor HP [W] & # of Speeds	Motor Tap - Usage	External Static Pressure - Inches W.C. [kPa] (Side Discharge-Dry Coil)												
	Cool	Heat					0.1 [1.02]	0.2 [1.05]	0.3 [1.07]	0.4 [1.10]	0.5 [1.12]	0.6 [1.15]	0.7 [1.17]	0.8 [1.20]	0.9 [1.22]	1.0 [1.25]			
2.0 [7.03]					10X9 Blower 1/3 HP [249] 3 Speed (Constant Torque)	Tap 1 - FAN	CFM	757	651	570	488	414	335	283	251	201	144		
						RPM	591	633	700	767	814	858	899	944	985	1032			
						Watts	69	67	73	79	83	87	91	95	99	102			
						CFM	855	801	746	683	619	519	473	406	354	329			
						RPM	639	691	748	806	855	921	953	994	1034	1061			
						Watts	90	96	102	109	115	123	126	131	136	140			
						CFM	876	824	774	703	629	558	496	447	392	349			
		Tap 3	Tap 2	5 kW - Tap 1 8 kW - Tap 1 10 kW - Tap 2		700 CFM/ 900 CFM	RPM	660	699	753	816	866	925	964	997	1037	1067		
						Watts	96	101	108	114	121	128	133	137	143	146			
							CFM	1020	979	933	883	837	731	714	655	606	542		
					RPM	725	771	819	867	911	983	1025	1065	1096	1130				
					Watts	136	143	150	159	165	176	184	190	195	200				
					CFM	1330	1294	1256	1220	1183	1145	1078	958	790	699				
					RPM	886	911	952	990	1029	1069	1103	1127	1143	1156				
					Watts	270	275	286	294	305	314	311	286	266	242				

## DOWN DISCHARGE PRESSURE DROP (ADD TO EXTERNAL STATIC PRESSURE)

CFM [L/s]	800 [378]	1000 [472]	1200 [566]	1400 [661]	1600 [755]	1800 [849]	2000 [944]
Pressure Drop—Includes W.C. [kPa]	.02 [.005]	.05 [.012]	.07 [.017]	.1 [.025]	.12 [.030]	.15 [.037]	.17 [.042]

NOTES: (1) FOR CONSTANT TORQUE MOTORS: Use motor taps 3-5 to achieve rated airflow at AHRI minimum External Static Pressure.

(a) Use \* marked tap for AHRI 210/240-2023

(2) Grayed out portions not recommended for use in field.

[ ] Designates Metric Conversions



# INDOOR AIRFLOW PERFORMANCE RACAYB - (208/230V, 1 & 3-PHASE) CONSTANT TORQUE MOTOR

Nominal Cooling Capacity Tons [kW]	Motor Speed from Factory		Recommended Speed Tap for Field Installed Heater Kit	Manufacturer Recommended Cooling Airflow (Min/Max)	Blower Size, Motor HP [W] & # of Speeds	Motor Tap - Usage	External Static Pressure - Inches W.C. [kPa] (Side Discharge-Dry Coil)										
	Cool	Heat					0.1 [.02]	0.2 [.05]	0.3 [.07]	0.4 [.10]	0.5 [.12]	0.6 [.15]	0.7 [.17]	0.8 [.20]	0.9 [.22]	1.0 [.25]	
2.5 [8.79]			5 kW - Tap 1 8 kW - Tap 1 10 kW - Tap 2	875 CFM/ 1125 CFM	10X9 Blower 1/2 HP [372] 3 Speed (Constant Torque)	Tap 1 - FAN	CFM	751	650	536	464	391	322	296	259	214	165
						Tap 2 - Elec. Heat	RPM	591	636	696	760	810	858	892	942	982	1019
							Watts	68	69	73	80	85	89	91	96	100	102
							CFM	860	800	742	676	558	493	431	371	330	296
							RPM	630	693	748	809	851	907	949	987	1020	1059
Watts	88	93	101	108	114	120	125	129	133	137							
3.0 [10.55]			5 kW - Tap 1 8 kW - Tap 1 10 kW - Tap 2 15 kW - Tap 2	1050 CFM/ 1350 CFM	12X9T Blower 1 HP [746] 3 Speed (Constant Torque)	Tap 3 - Low Static Cool	CFM	1101	1060	1016	973	929	882	833	777	712	665
						Tap 4 - Med Static Cool*	RPM	763	805	848	893	936	981	1029	1079	1123	1144
							Watts	160	167	175	184	191	199	208	217	224	229
							CFM	1222	1177	1145	1098	1064	1017	980	936	833	701
							RPM	830	874	909	947	981	1028	1070	1112	1153	1165
Watts	209	219	226	234	242	251	261	270	265	253							
3.0 [10.55]			5 kW - Tap 1 8 kW - Tap 1 10 kW - Tap 2 15 kW - Tap 2	1050 CFM/ 1350 CFM	12X9T Blower 1 HP [746] 3 Speed (Constant Torque)	Tap 5 - High Static Cool	CFM	1631	1583	1537	1480	1406	1322	1216	1056	905	827
						Tap 1 - FAN	RPM	1049	1080	1095	1111	1123	1136	1146	1158	1168	1170
							Watts	465	474	466	456	435	412	377	329	286	266
							CFM	969	802	692	558	460	396	326	293	252	188
							RPM	589	603	678	717	766	791	818	855	886	911
Watts	106	93	101	106	112	117	120	125	130	133							
3.0 [10.55]			5 kW - Tap 1 8 kW - Tap 1 10 kW - Tap 2 15 kW - Tap 2	1050 CFM/ 1350 CFM	12X9T Blower 1 HP [746] 3 Speed (Constant Torque)	Tap 2 - Elec. Heat	CFM	1105	1050	1005	894	827	762	695	618	554	488
						Tap 3 - Low Static Cool	RPM	644	690	729	804	848	879	908	944	968	990
							Watts	143	151	159	169	180	188	193	200	204	209
							CFM	1321	1277	1237	1189	1152	1039	984	931	871	808
							RPM	738	774	808	846	876	957	990	1022	1047	1073
Watts	222	231	240	249	257	280	287	295	302	309							
3.0 [10.55]			5 kW - Tap 1 8 kW - Tap 1 10 kW - Tap 2 15 kW - Tap 2	1050 CFM/ 1350 CFM	12X9T Blower 1 HP [746] 3 Speed (Constant Torque)	Tap 4 - Med Static Cool*	CFM	1476	1439	1406	1378	1331	1295	1186	1134	1086	1037
						Tap 5 - High Static Cool	RPM	809	843	872	901	937	964	1045	1076	1107	1139
							Watts	298	308	318	330	339	349	374	385	398	406
							CFM	1574	1538	1503	1469	1434	1401	1366	1268	1205	1125
							RPM	859	890	921	951	982	1009	1035	1110	1138	1149
Watts	362	372	384	396	407	417	427	456	460	446							

DOWN DISCHARGE PRESSURE DROP (ADD TO EXTERNAL STATIC PRESSURE)							
CFM [L/s]	800 [378]	1000 [472]	1200 [566]	1400 [661]	1600 [755]	1800 [849]	2000 [944]
Pressure Drop—Includes W.C. [kPa]	.02 [.005]	.05 [.012]	.07 [.017]	.1 [.025]	.12 [.030]	.15 [.037]	.17 [.042]

NOTES: (1) FOR CONSTANT TORQUE MOTORS: Use motor taps 3-5 to achieve rated airflow at AHRI minimum External Static Pressure.

(a) Use \* marked tap for AHRI 210/240-2023

(2) Grayed out portions not recommended for use in field.

[ ] Designates Metric Conversions

**INDOOR AIRFLOW PERFORMANCE RACAYB - (208/230V, 1 & 3-PHASE) CONSTANT TORQUE MOTOR**

Nominal Cooling Capacity Tons [kW]	Motor Speed from Factory		Recommended Speed Tap for Field Installed Heater Kit	Manufacturer Recommended Cooling Airflow (Min/Max)	Blower Size, Motor HP [W] & # of Speeds	Motor Tap - Usage	External Static Pressure - Inches W.C. [kPa]												
	Cool	Heat					0.1 [.02]	0.2 [.05]	0.3 [.07]	0.4 [.10]	0.5 [.12]	0.6 [.15]	0.7 [1.17]	0.8 [.20]	0.9 [.22]	1.0 [.25]			
3.5 [12.31]			5 kW - Tap 1 8 kW - Tap 1 10 kW - Tap 2 15 kW - Tap 2	1225 CFM/ 1575 CFM	12x9T Blower 3/4 HP [559] 3 Speed (Constant Torque)	Tap 1 - FAN	CFM	1103	1050	959	872	803	725	654	558	482	415		
							RPM	612	651	715	763	795	837	870	908	937	952		
							Watts	132	140	152	160	166	174	180	188	193	196		
						Tap 2 - Elec. Heat	CFM	1448	1402	1358	1313	1227	1164	1122	1058	1004	936		
							RPM	750	780	812	844	906	946	967	1000	1032	1064		
		Tap 3	Tap 2				Tap 3 - Low Static Cool*	CFM	256	265	274	283	302	313	320	329	340	351	
								CFM	1576	1532	1493	1452	1414	1311	1258	1223	1160	1114	
								RPM	804	832	861	888	918	984	1019	1039	1070	1095	
								Watts	321	330	340	348	359	382	393	401	412	421	
							Tap 4 - Med Static Cool	CFM	1734	1693	1644	1619	1582	1540	1463	1390	1312	1200	
	RPM	867	896	917	939	967	992	1048	1092	1114	1130								
4.0 [14.07]			5 kW - Tap 1 8 kW - Tap 1 10 kW - Tap 2 15 kW - Tap 2	1400 CFM/ 1800 CFM	12x9R Blower 1 HP [746] 5 Speed (Constant Torque)	Tap 1 - FAN	CFM	1211	1050	935	837	755	694	622	535	475	426		
							RPM	588	591	636	690	728	756	788	829	861	889		
							Watts	139	120	122	132	137	143	148	154	160	166		
						Tap 2 - Elec. Heat	CFM	1453	1400	1360	1304	1239	1155	1097	1036	987	921		
							RPM	670	705	734	770	813	860	892	926	947	975		
		Low Stage - Tap 3	Tap 2				Tap 3 - Low Stage Cool	CFM	215	226	233	243	255	268	277	286	292	300	
								CFM	1404	1362	1311	1254	1168	1100	1026	976	914	860	
								RPM	656	687	721	760	809	849	887	914	937	961	
								Watts	200	209	218	227	241	251	260	268	274	280	
							Tap 4 - High Stage Tap 4	CFM	1800	1759	1723	1687	1625	1577	1516	1465	1418	1370	
	RPM	866	889	916	937	974	1001	1035	1063	1088	1112								
						Tap 5 - High Stage Cool	CFM	2048	2007	1977	1929	1896	1856	1823	1773	1725	1671		
							RPM	966	993	1013	1041	1061	1085	1105	1133	1164	1181		
							Watts	587	603	615	629	640	654	665	680	696	708		

[ \* ] Designates Metric Conversions

# INDOOR AIRFLOW PERFORMANCE RACAYB - (208/230V, 1 & 3-PHASE) CONSTANT TORQUE MOTOR (CON'T.)

Nominal Cooling Capacity Tons [kW]	Motor Speed from Factory		Recommended Speed Tap for Field Installed Heater Kit	Manufacturer Recommended Cooling Airflow (Min/Max)	Blower Size, Motor HP [W] & # of Speeds	Motor Tap - Usage	External Static Pressure - Inches W.C. [kPa]										
	Cool	Heat					(Side Discharge-Dry Coil)										
							0.1 [1.02]	0.2 [1.05]	0.3 [1.07]	0.4 [1.10]	0.5 [1.12]	0.6 [1.15]	0.7 [1.17]	0.8 [1.20]	0.9 [1.22]	1.0 [1.25]	
5.0 [17.59]	Low Stage - Tap 3	Tap 2	5 kW - Tap 1 8 kW - Tap 1 10 kW - Tap 2 15 kW - Tap 2	1750 CFM/ 2250 CFM	12x9R Blower 1 HP [746] 5 Speed (Constant Torque)	Tap 1 - FAN	CFM	1132	1056	997	903	834	785	701	641	570	519
							RPM	661	696	725	778	802	825	862	888	926	947
							Watts	136	143	148	159	162	168	177	180	189	198
	High Stage - Tap 4	Tap 2	5 kW - Tap 1 8 kW - Tap 1 10 kW - Tap 2 15 kW - Tap 2	1750 CFM/ 2250 CFM	12x9R Blower 1 HP [746] 5 Speed (Constant Torque)	Tap 2 - Elec. Heat	CFM	1448	1403	1329	1274	1220	1158	1097	1029	973	932
							RPM	781	811	846	871	900	934	963	987	1007	1021
							Watts	251	258	266	273	282	293	303	309	319	326
	High Stage - Tap 4	Tap 2	5 kW - Tap 1 8 kW - Tap 1 10 kW - Tap 2 15 kW - Tap 2	1750 CFM/ 2250 CFM	12x9R Blower 1 HP [746] 5 Speed (Constant Torque)	Tap 3 - Low Stage Cool	CFM	1476	1424	1349	1299	1242	1165	1106	1053	1001	962
							RPM	788	819	861	885	913	947	974	998	1018	1028
							Watts	258	264	280	287	295	305	313	321	331	337
	High Stage - Tap 4	Tap 2	5 kW - Tap 1 8 kW - Tap 1 10 kW - Tap 2 15 kW - Tap 2	1750 CFM/ 2250 CFM	12x9R Blower 1 HP [746] 5 Speed (Constant Torque)	Tap 4 - High Stage Cool *Med Static	CFM	1985	1954	1916	1865	1831	1784	1744	1704	1663	1626
							RPM	997	1021	1044	1078	1099	1122	1143	1166	1186	1207
							Watts	599	612	624	640	652	666	677	689	700	711
	High Stage - Tap 4	Tap 2	5 kW - Tap 1 8 kW - Tap 1 10 kW - Tap 2 15 kW - Tap 2	1750 CFM/ 2250 CFM	12x9R Blower 1 HP [746] 5 Speed (Constant Torque)	Tap 5 - High Stage Cool High Static	CFM	2226	2192	2160	2128	2086	2051	2010	1954	1921	1883
							RPM	1074	1101	1120	1138	1166	1187	1209	1240	1256	1274
							Watts	815	833	845	857	875	891	904	926	936	949

DOWN DISCHARGE PRESSURE DROP (ADD TO EXTERNAL STATIC PRESSURE)						
CFM [L/s]	800 [378]	1000 [472]	1200 [566]	1400 [661]	1600 [755]	2000 [944]
Pressure Drop—Includes W.C. [kPa]	.02 [.005]	.05 [.012]	.07 [.017]	.1 [.025]	.12 [.030]	.17 [.042]

NOTES: (1) FOR CONSTANT TORQUE MOTORS: Use motor taps 3-5 to achieve rated airflow at AHRI minimum External Static Pressure.  
 (a) Use \* marked tap for AHRI 210/240-2023  
 (2) Grayed out portions not recommended for use in field.

[ ] Designates Metric Conversions

# INDOOR AIRFLOW PERFORMANCE RACAYB - (460V, 3-PHASE) CONSTANT TORQUE MOTOR

Nominal Cooling Capacity Tons [kW]	Motor Speed from Factory		Recommended Speed Tap for Field Installed Heater Kit	Manufacturer Recommended Cooling Airflow (Min/Max)	Blower Size, Motor HP [W] & # of Speeds	Motor Tap - Usage	External Static Pressure - Inches W.C. [kPa]										
	Cool	Heat					0.1 [.02]	0.2 [.05]	0.3 [.07]	0.4 [.10]	0.5 [.12]	0.6 [.15]	0.7 [1.17]	0.8 [1.20]	0.9 [.22]	1.0 [.25]	
3.0 [10.55]			5 kW - Tap 1 8 kW - Tap 1 10 kW - Tap 2 15 kW - Tap 2	1050 CFM/ 1350 CFM	12x9T Blower 1 HP [746] 3 Speed (Constant Torque)	Tap 1 - FAN	CFM	953	800	711	580	490	419	354	317	298	238
							RPM	584	613	671	720	764	795	818	844	890	918
							Watts	107	109	111	116	122	127	131	134	142	146
						Tap 2 - Elec. Heat	CFM	1092	1051	999	902	844	768	698	629	567	494
							RPM	646	684	727	803	842	883	913	949	968	998
							Watts	148	156	167	183	192	201	208	215	221	226
							CFM	1315	1274	1241	1197	1138	1065	1015	952	906	840
							RPM	737	774	807	845	893	950	983	1015	1046	1073
							Watts	234	244	254	265	280	297	307	318	326	335
							CFM	1476	1439	1406	1378	1331	1295	1255	1186	1134	1086
	RPM	809	843	872	901	937	964	1045	1076	1107	1139						
	Watts	298	308	318	330	339	349	374	385	398	406						
	CFM	1561	1531	1499	1462	1433	1394	1344	1290	1220	1126						
	RPM	852	879	908	943	971	1000	1039	1080	1130	1149						
	Watts	370	381	392	405	418	429	446	462	483	470						
	CFM	1211	1050	935	837	755	694	622	535	475	426						
	RPM	588	591	636	690	728	756	788	829	861	889						
	Watts	139	120	122	132	137	143	148	154	160	166						
	CFM	1453	1400	1360	1304	1239	1155	1097	1036	987	921						
	RPM	670	705	734	770	813	860	892	926	947	975						
	Watts	215	226	233	243	255	268	277	286	292	300						
	CFM	1402	1360	1316	1273	1232	1156	1095	1019	964	916						
	RPM	680	716	751	778	812	862	906	943	967	986						
	Watts	222	233	243	251	261	278	292	302	309	316						
	CFM	1747	1712	1678	1640	1595	1559	1535	1504	1451	1371						
	RPM	808	836	862	896	926	951	968	995	1035	1084						
	Watts	389	403	415	428	442	453	460	471	490	512						
	CFM	2048	2007	1977	1929	1896	1856	1823	1773	1725	1671						
	RPM	966	993	1013	1041	1061	1085	1105	1133	1164	1181						
	Watts	587	603	615	629	640	654	665	680	696	708						

[ ] Designates Metric Conversions

# INDOOR AIRFLOW PERFORMANCE RACAYB - (460V, 3-PHASE) CONSTANT TORQUE MOTOR (CONTINUED)

Nominal Cooling Capacity Tons [kW]	Motor Speed from Factory		Recommended Speed Tap for Field Installed Heater Kit	Manufacturer Recommended Cooling Airflow (Min/Max)	Blower Size, Motor HP [W] & # of Speeds	Motor Tap - Usage	External Static Pressure - Inches W.C. [kPa]										
	Cool	Heat					0.1 [1.02]	0.2 [.05]	0.3 [.07]	0.4 [.10]	0.5 [.12]	0.6 [.15]	0.7 [1.17]	0.8 [1.20]	0.9 [.22]	1.0 [.25]	
5.0 [17.59]	Low Stage - Tap 3	Tap 2	5 kW - Tap 1 kW - Tap 1 10 kW - Tap 2 15 kW - Tap 2	1750 CFM/ 2250 CFM	12x9R Blower 1 HP [746] 5 Speed (Constant Torque)	Tap 1 - FAN	CFM	1101	1051	983	896	825	763	695	621	558	506
							RPM	594	628	668	724	759	790	820	854	888	915
							Watts	130	137	145	157	164	171	177	186	193	197
							CFM	1454	1401	1363	1322	1265	1195	1140	1088	1039	998
							RPM	719	757	787	816	854	898	933	963	985	1005
							Watts	253	264	274	283	296	311	322	332	340	348
	High Stage - Tap 4	Tap 3	5 kW - Tap 1 kW - Tap 1 10 kW - Tap 2 15 kW - Tap 2	1750 CFM/ 2250 CFM	12x9R Blower 1 HP [746] 5 Speed (Constant Torque)	Tap 3 - Low Stage Cool	CFM	1476	1424	1349	1299	1242	1165	1106	1053	1001	962
							RPM	788	819	861	885	913	947	974	998	1018	1028
							Watts	258	264	280	287	295	305	313	321	331	337
							CFM	1985	1954	1916	1865	1831	1784	1744	1704	1663	1626
							RPM	997	1021	1044	1078	1099	1122	1143	1166	1186	1207
							Watts	599	612	624	640	652	666	677	689	700	711
High Stage - Tap 4	Tap 4	5 kW - Tap 1 kW - Tap 1 10 kW - Tap 2 15 kW - Tap 2	1750 CFM/ 2250 CFM	12x9R Blower 1 HP [746] 5 Speed (Constant Torque)	Tap 4 - High Stage Med Static Cool*	CFM	2152	2120	2087	2059	2025	2004	1969	1934	1905	1875	
						RPM	1002	1025	1051	1074	1090	1111	1136	1152	1175	1197	
						Watts	761	776	791	803	816	828	841	852	865	878	
						CFM	1002	1025	1051	1074	1090	1111	1136	1152	1175	1197	
						RPM	1002	1025	1051	1074	1090	1111	1136	1152	1175	1197	
						Watts	761	776	791	803	816	828	841	852	865	878	

### DOWN DISCHARGE PRESSURE DROP (ADD TO EXTERNAL STATIC PRESSURE)

CFM [L/s]	800 [378]	1000 [472]	1200 [566]	1400 [661]	1600 [755]	1800 [849]	2000 [944]
Pressure Drop—Includes W.C. [kPa]	.02 [.005]	.05 [.012]	.07 [.017]	.1 [.025]	.12 [.030]	.15 [.037]	.17 [.042]

NOTES: (1) FOR CONSTANT TORQUE MOTORS: Use motor taps 3-5 to achieve rated airflow at AHRI minimum External Static Pressure.

(a) Use \* marked tap for AHRI 210/240-2023

(2) Grayed out portions not recommended for use in field.

[ ] Designates Metric Conversions

## ELECTRICAL DATA - RACAYB SERIES

		024AJT	030ACT	030AJT	036ACT	036ADT	036AJT	042ACT
Unit Information	Unit Operating Voltage Range	187-253	187-253	187-253	187-253	414-506	187-253	187-253
	Volts	208/230	208/230	208/230	208/230	460	208/230	208/230
	Phase	1	3	1	3	3	1	3
	Hz	60	60	60	60	60	60	60
	Minimum Circuit Ampacity	19	18	22	25	12	30	24
	Minimum Overcurrent Protection Device Size	25	20	25	30	15	35	30
	Maximum Overcurrent Protection Device Size	25	25	30	35	15	45	35
Compressor Motor	No.	1	1	1	1	1	1	1
	Volts	208/230	208/230	208/230	208/230	460	208/230	208/230
	Phase	1	3	1	3	3	1	3
	RPM	3500	3500	3500	3500	3500	3500	3500
	Amps (RLA), Comp. 1	11.4	9.6	12.7	12.2	5.8	16.7	12.8
	Amps (LRA), Comp. 1	64.4	70	75.6	97.5	44.3	93.5	102.8
	HP, Compressor 2	N/A	N/A	N/A	N/A	N/A	N/A	N/A
	Amps (RLA), Comp. 2	N/A	N/A	N/A	N/A	N/A	N/A	N/A
	Amps (LRA), Comp. 2	N/A	N/A	N/A	N/A	N/A	N/A	N/A
Condenser Motor	No.	1	1	1	1	1	1	1
	Volts	208/230	208/230	208/230	208/230	460	208/230	208/230
	Phase	1	1	1	1	1	1	1
	HP	1/3	1/3	1/3	1/3	1/3	1/3	1/3
	Amps (FLA, each)	1.5	1.5	1.5	1.5	0.8	1.5	2
	Amps (LRA, each)	3	3	3	3	1.6	3	3.9
Evaporator Fan	No.	1	1	1	1	1	1	1
	Volts	208/230	208/230	208/230	208/230	460	208/230	208/230
	Phase	1	1	1	1	1	1	1
	HP	1/3	1/2	1/2	1	1	1	3/4
	Amps (FLA, each)	2.8	4.1	4.1	7.6	3.5	7.6	6
	Amps (LRA, each)	N/A	N/A	N/A	N/A	N/A	N/A	N/A

ELECTRICAL DATA - RACAYB SERIES								
		042AJT	048ACT	048ADT	048AJT	060ACT	060ADT	060AJT
Unit Information	Unit Operating Voltage Range	187-253	187-253	414-506	187-253	187-253	414-506	187-253
	Volts	208/230	208/230	460	208/230	208/230	460	208/230
	Phase	1	3	3	1	3	3	1
	Hz	60	60	60	60	60	60	60
	Minimum Circuit Ampacity	30	27	14	37	29	14	43
	Minimum Overcurrent Protection Device Size	35	35	20	45	35	20	50
	Maximum Overcurrent Protection Device Size	45	35	20	50	40	20	60
Compressor Motor	No.	1	1	1	1	1	1	1
	Volts	208/230	208/230	460	208/230	208/230	460	208/230
	Phase	1	3	3	1	3	3	1
	RPM	3500	3500	3500	3500	3500	3500	3500
	Amps (RLA), Comp. 1	17.3	12.1	7.1	20.1	13.8	6.9	25.2
	Amps (LRA), Comp. 1	123	123	60	141	150	60	147.3
	HP, Compressor 2	N/A	N/A	N/A	N/A	N/A	N/A	N/A
	Amps (LRA), Comp. 2	N/A	N/A	N/A	N/A	N/A	N/A	N/A
Condenser Motor	No.	1	1	1	1	1	1	1
	Volts	208/230	208/230	460	208/230	208/230	460	208/230
	Phase	1	1	1	1	1	1	1
	HP	1/3	1/3	1/3	1/3	1/2	1/2	1/2
	Amps (FLA, each)	2	2	1	2	2.3	1.2	2.3
	Amps (LRA, each)	3.9	3.9	2.2	3.9	5.5	3	5.5
Evaporator Fan	No.	1	1	1	1	1	1	1
	Volts	208/230	208/230	460	208/230	208/230	460	208/230
	Phase	1	1	1	1	1	1	1
	HP	3/4	1	1	1	1	1	1
	Amps (FLA, each)	6	8.9	3.5	8.9	8.9	3.5	8.9
	Amps (LRA, each)	N/A	N/A	N/A	N/A	N/A	N/A	N/A

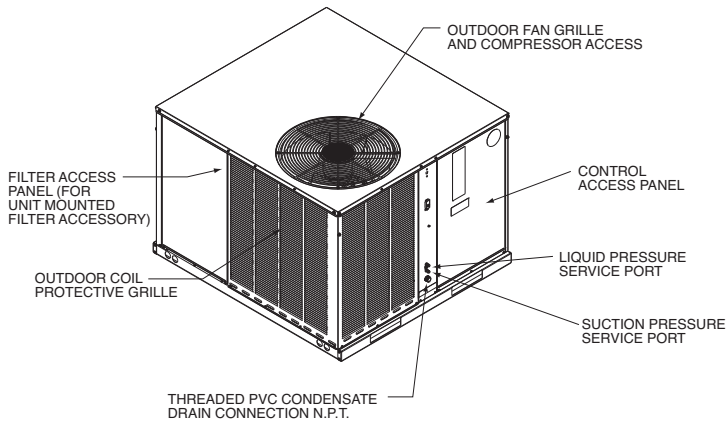
<b>208/240 VOLT, THREE PHASE, 60 Hz, AUXILIARY ELECTRIC HEATER KITS CHARACTERISTICS AND APPLICATION</b>									
<b>Single Power Supply for Both Unit and Heater Kit</b>					<b>Separate Power Supply for Both Unit and Heater Kit</b>				
<b>Model Number RACAYB</b>	<b>Heater Kit</b>			<b>Air Conditioner</b>		<b>Heater Kit</b>		<b>Air Conditioner</b>	
	<b>RXQJ-Heater Kit Nominal kW</b>	<b>Rated Heater kW @ 208/240 V</b>	<b>Heater Amp. @ 208/240 V</b>	<b>Unit Min. Ckt. Ampacity @ 208/240 V</b>	<b>Over Current Protective Device Size Min./Max</b>	<b>Min. Ckt. Ampacity 208/240V</b>	<b>Max. Fuse Size 208/240V</b>	<b>Min. Circuit Ampacity 208/240V</b>	<b>Over Current Protective Device Size Min./Max</b>
RACAYB030ACT	NONE	—	—	18/18	25/25	—	—	18/18	25/25
	A05C	3.8/5	10.4/12	19/21	25/25	13/15	15/15	18/18	25/25
	A08C	5.7/7.6	15.9/18.3	25/28	25/30	20/23	20/25	18/18	25/25
	A10C	7.2/9.6	20/23.1	31/34	35/35	25/29	25/30	18/18	25/25
RACAYB036ACT	NONE	—	—	25/25	35/35	—	—	25/25	35/35
	A05C	3.8/5	10.4/12	25/25	35/35	13/15	15/15	25/25	35/35
	A08C	5.7/7.6	15.9/18.3	30/33	35/35	20/23	20/25	25/25	35/35
	A10C	7.2/9.6	20/23.1	35/39	35/40	25/29	25/30	25/25	35/35
	A15C	10.8/14.4	30.1/34.7	48/53	50/60	38/44	40/45	25/25	35/35
RACAYB042ACT	NONE	—	—	24/24	35/35	—	—	24/24	35/35
	A05C	3.8/5	10.4/12	24/24	35/35	13/15	15/15	24/24	35/35
	A08C	5.7/7.6	15.9/18.3	28/31	35/35	20/23	20/25	24/24	35/35
	A10C	7.2/9.6	20/23.1	33/37	35/40	25/29	25/30	24/24	35/35
	A15C	10.8/14.4	30.1/34.7	46/51	50/60	38/44	40/45	24/24	35/35
RACAYB048ACT	NONE	—	—	25/25	35/35	—	—	25/25	35/35
	A05C	3.8/5	10.4/12	25/25	35/35	13/15	15/15	25/25	35/35
	A08C	5.7/7.6	15.9/18.3	30/33	35/35	20/23	20/25	25/25	35/35
	A10C	7.2/9.6	20/23.1	35/39	35/40	25/29	25/30	25/25	35/35
	A15C	10.8/14.4	30.1/34.7	48/53	50/60	38/44	40/45	25/25	35/35
RACAYB060ACT	NONE	—	—	29/29	40/40	—	—	29/29	40/40
	A05C	3.8/5	10.4/12	29/29	40/40	13/15	15/15	29/29	40/40
	A08C	5.7/7.6	15.9/18.3	31/34	40/40	20/23	20/25	29/29	40/40
	A10C	7.2/9.6	20/23.1	37/40	40/40	25/29	25/30	29/29	40/40
	A15C	10.8/14.4	30.1/34.7	49/55	50/60	38/44	40/45	29/29	40/40



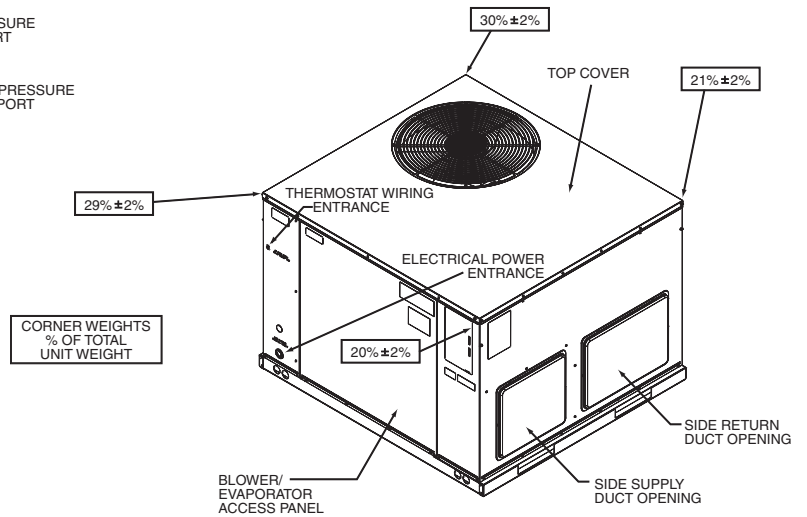
480 VOLT, THREE PHASE, 60 Hz, AUXILIARY ELECTRIC HEATER KITS CHARACTERISTICS AND APPLICATION									
Single Power Supply for Both Unit and Heater Kit					Separate Power Supply for Both Unit and Heater Kit				
Model Number RACAYB	Heater Kit			Air Conditioner		Heater Kit		Air Conditioner	
	RXQJ-Heater Kit Nominal kW	Rated Heater kW @ 208/240 V	Heater Amp. @ 208/240 V	Unit Min. Ckt. Ampacity @ 208/240 V	Over Current Protective Device Size Min./Max	Min. Ckt. Ampacity 208/240V	Max. Fuse Size 208/240V	Min. Circuit Ampacity 208/240V	Over Current Protective Device Size Min./Max
RACAYB036ADT	NONE	—	—	13	15	—	—	13	15
	A05D	4.8	5.8	13	15	8	15	13	15
	A08D	7.6	9.1	17	20	12	15	13	15
	A10D	9.6	11.6	20	20	15	15	13	15
	A15D	14.4	17.3	27	30	22	25	13	15
RACAYB048ADT	NONE	—	—	14	20	—	—	14	20
	A05D	4.8	5.8	13	15	8	15	14	20
	A08D	7.6	9.1	17	20	12	15	14	20
	A10D	9.6	11.6	20	20	15	15	14	20
	A15D	14.4	17.3	27	30	22	25	14	20
RACAYB060ADT	NONE	—	—	14	20	—	—	14	20
	A05D	4.8	5.8	14	20	8	15	14	20
	A08D	7.6	9.1	17	20	12	15	14	20
	A10D	9.6	11.6	20	20	15	15	14	20
	A15D	14.4	17.3	27	30	22	25	14	20

<b>208/240 VOLT, SINGLE PHASE, 60 Hz, AUXILIARY ELECTRIC HEATER KITS CHARACTERISTICS AND APPLICATION</b>									
<b>Single Power Supply for Both Unit and Heater Kit</b>						<b>Separate Power Supply for Both Unit and Heater Kit</b>			
<b>Model Number RACAYB</b>	<b>Heater Kit</b>			<b>Air Conditioner</b>		<b>Heater Kit</b>		<b>Air Conditioner</b>	
	<b>RXQJ-Heater Kit Nominal kW</b>	<b>Rated Heater kW @ 208/240 V</b>	<b>Heater Amp. @ 208/240 V</b>	<b>Unit Min. Ckt. Ampacity @ 208/240 V</b>	<b>Over Current Protective Device Size Min./Max</b>	<b>Min. Ckt. Ampacity 208/240V</b>	<b>Max. Fuse Size 208/240V</b>	<b>Min. Circuit Ampacity 208/240V</b>	<b>Over Current Protective Device Size Min./Max</b>
RACAYB024AJT	NONE	—	—	19/19	25/25	—	—	19/19	25/25
	A05J	3.6/4.8	17.3/20	26/29	30/30	22/25	25/25	19/19	25/25
	A08J	5.7/7.6	27.4/31.6	38/43	40/45	35/40	35/40	19/19	25/25
	A10J	7.2/9.6	34.6/40	47/54	50/60	44/50	45/50	19/19	25/25
RACAYB030AJT	NONE	—	—	22/22	30/30	—	—	22/22	30/30
	A05J	3.6/4.8	17.3/20	27/31	30/35	22/25	25/25	22/22	30/30
	A08J	5.7/7.6	27.4/31.6	40/45	40/45	35/40	35/40	22/22	30/30
	A10J	7.2/9.6	34.6/40	49/56	50/60	44/50	45/50	22/22	30/30
RACAYB036AJT	NONE	—	—	30/30	45/45	—	—	30/30	45/45
	A05J	3.6/4.8	17.3/20	32/35	45/45	22/25	25/25	30/30	45/45
	A08J	5.7/7.6	27.4/31.6	44/49	45/50	35/40	35/40	30/30	45/45
	A10J	7.2/9.6	34.6/40	53/60	60/60	44/50	45/50	30/30	45/45
	A15J	10.8/14.4	51.9/60	75/85	80/90	65/75	70/80	30/30	45/45
RACAYB042AJT	NONE	—	—	30/30	45/45	—	—	30/30	45/45
	A05J	3.6/4.8	17.3/20	30/33	45/45	22/25	25/25	30/30	45/45
	A08J	5.7/7.6	27.4/31.6	42/47	45/50	35/40	35/40	30/30	45/45
	B10J	7.2/9.6	34.6/40	51/58	60/60	44/50	45/50	30/30	45/45
	B15J	10.8/14.4	51.9/60	73/83	80/90	65/75	70/80	30/30	45/45
RACAYB048AJT	NONE	—	—	37/37	50/50	—	—	37/37	50/50
	A05J	3.6/4.8	17.3/20	37/37	50/50	22/25	25/25	37/37	50/50
	A08J	5.7/7.6	27.4/31.6	46/51	50/60	35/40	35/40	37/37	50/50
	B10J	7.2/9.6	34.6/40	55/62	60/70	44/50	45/50	37/37	50/50
	B15J	10.8/14.4	51.9/60	76/87	80/90	65/75	70/80	37/37	50/50
RACAYB060AJT	NONE	—	—	43/43	60/60	—	—	43/43	60/60
	A05J	3.6/4.8	17.3/20	43/43	60/60	22/25	25/25	43/43	60/60
	A08J	5.7/7.6	27.4/31.6	46/51	60/60	35/40	35/40	43/43	60/60
	B10J	7.2/9.6	34.6/40	55/62	60/70	44/50	45/50	43/43	60/60
	B15J	10.8/14.4	51.9/60	76/87	80/90	65/75	70/80	43/43	60/60

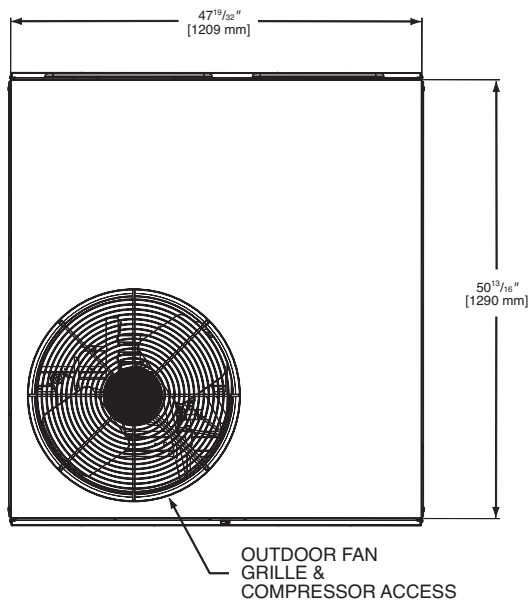
# UNIT DIMENSIONS PACKAGED AIR CONDITIONERS



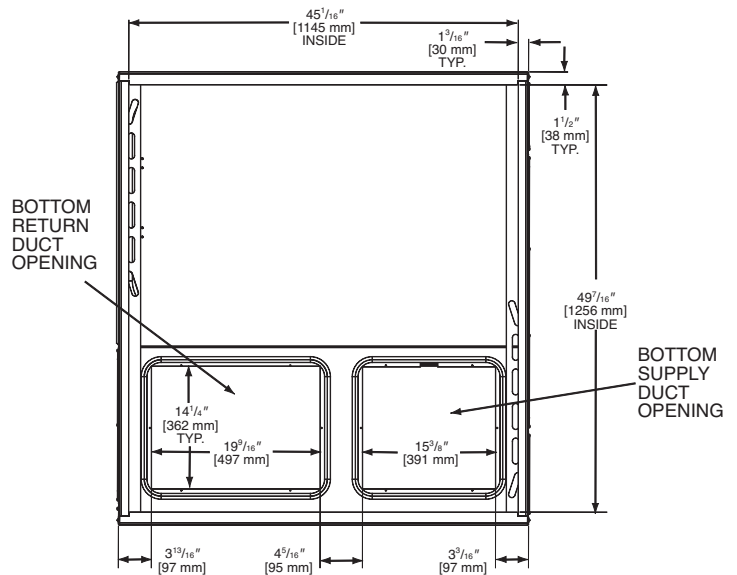
IMPORTANT: UNIT MUST BE LEVEL TO PREVENT WATER MIGRATION



**TOP VIEW**

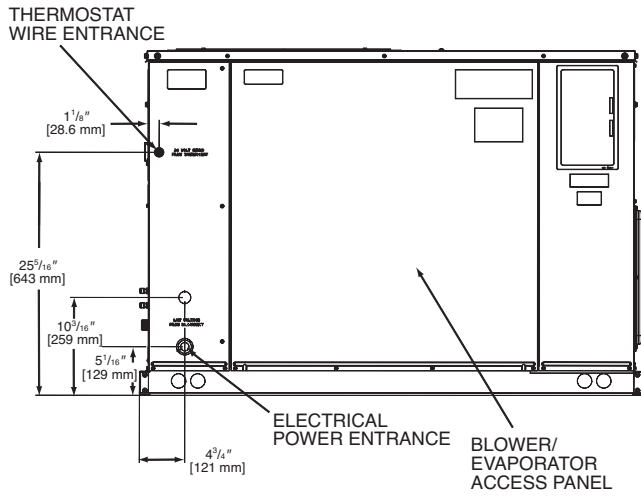


**BOTTOM VIEW**

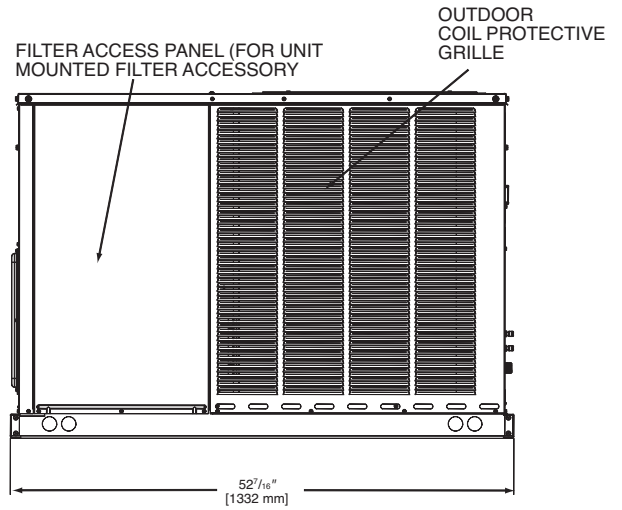


[ ] Designates Metric Conversions

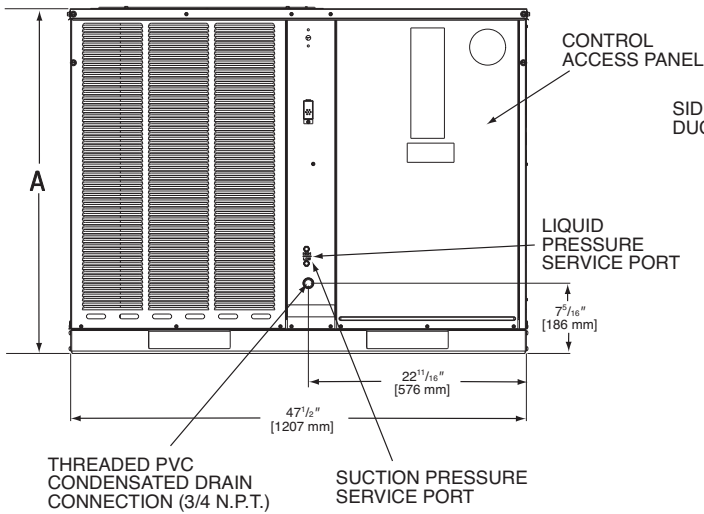
### SIDE VIEW



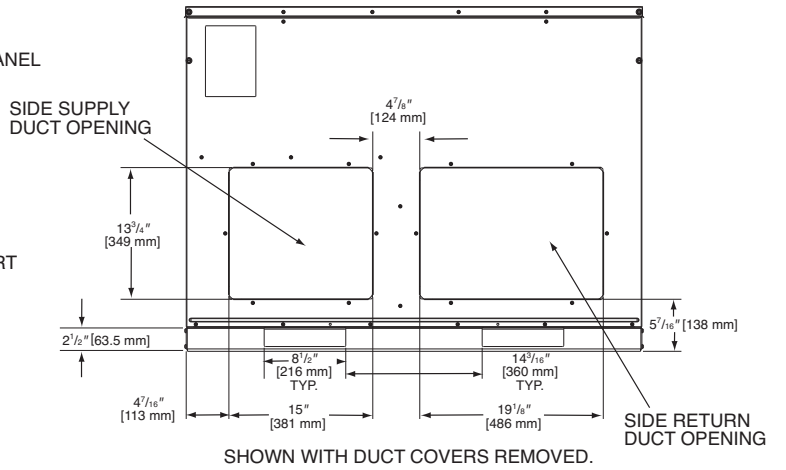
### SIDE VIEW



### FRONT VIEW



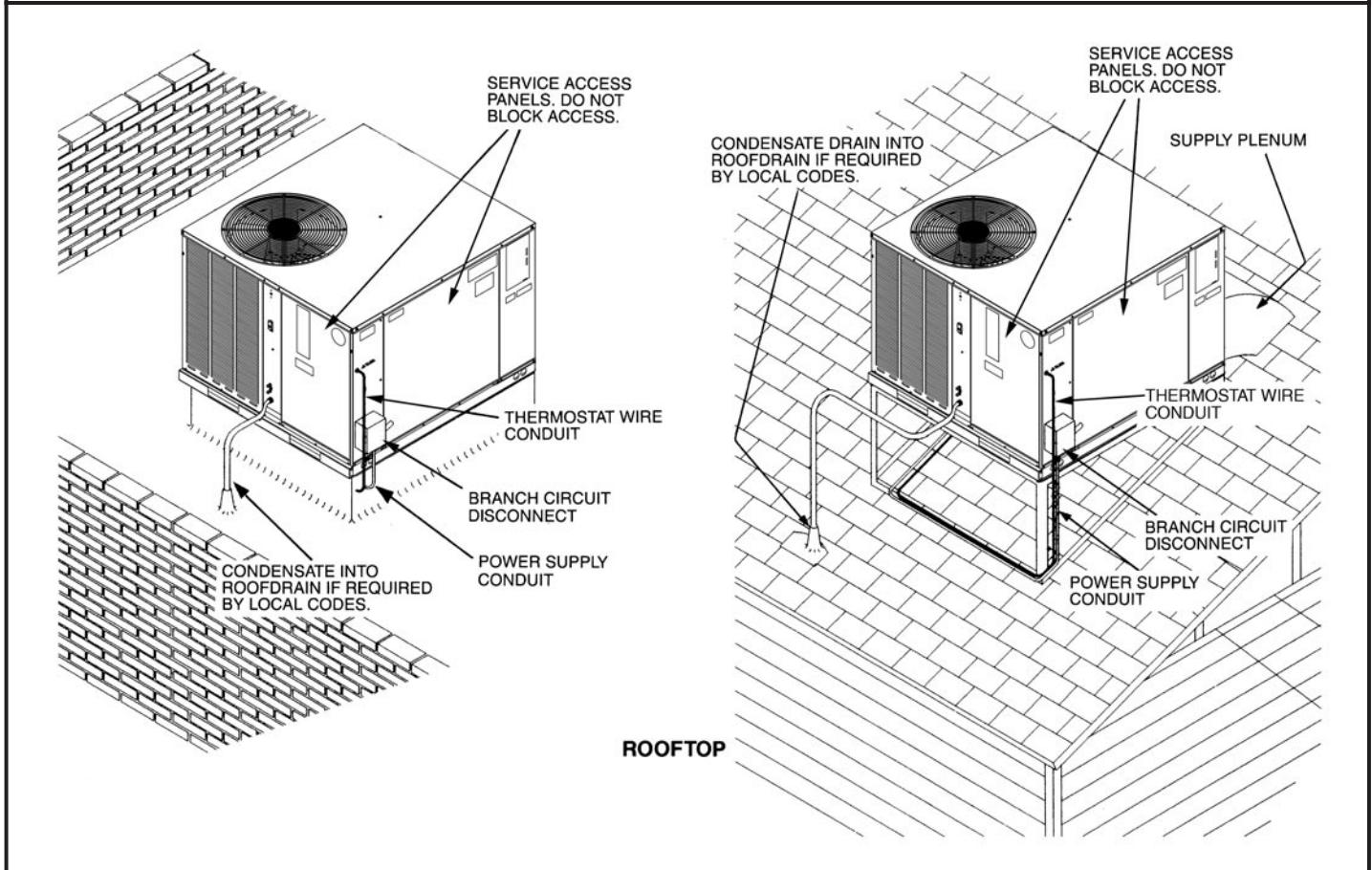
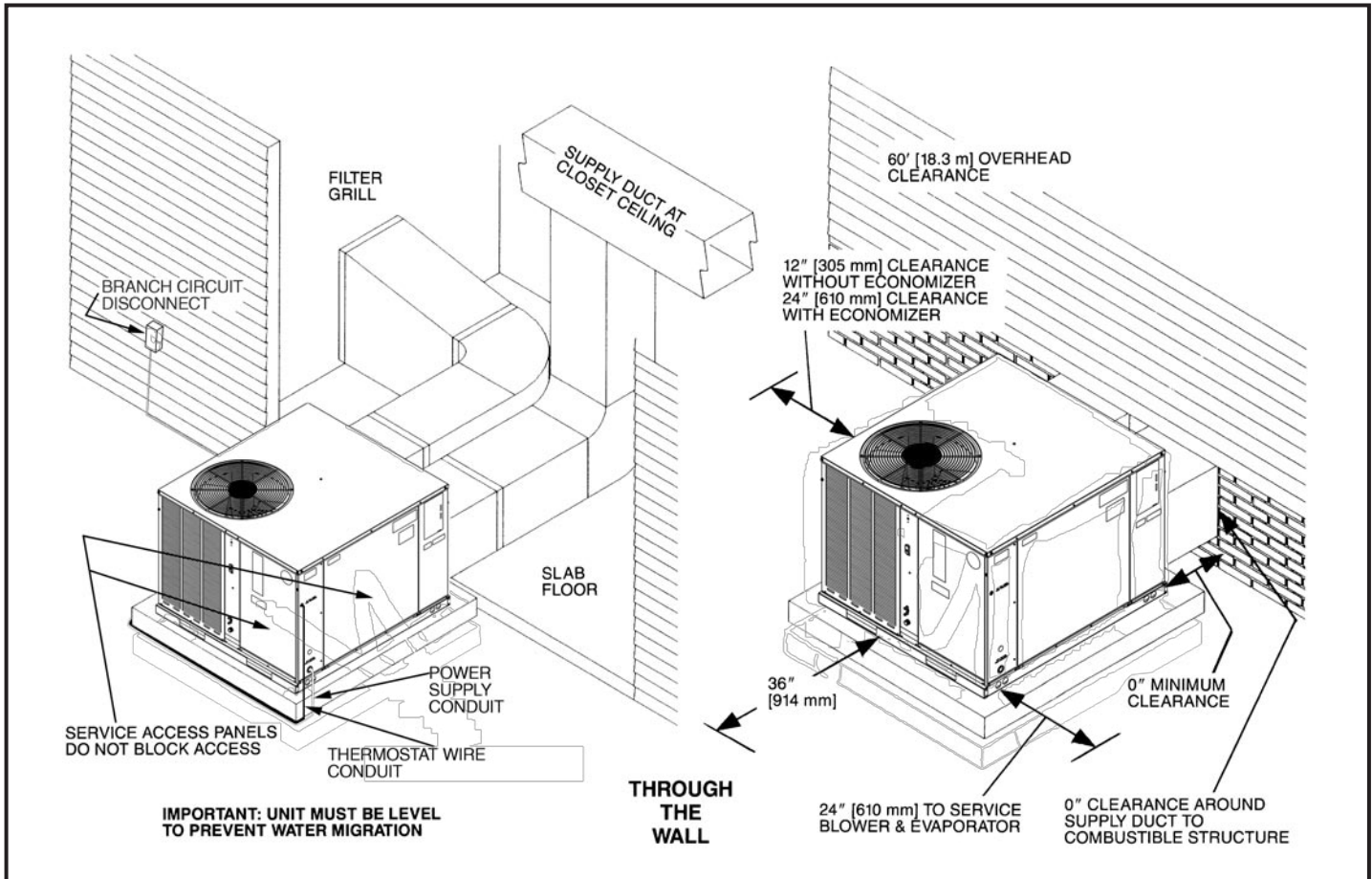
### REAR VIEW



Model #	Height "A"
024, 030, 036	35 <sup>15</sup> / <sub>16</sub>
042, 048, 060	41

**IMPORTANT:**  
 Unit must be level to prevent water migration.

[ ] Designates Metric Conversions



[ ] Designates Metric Conversions

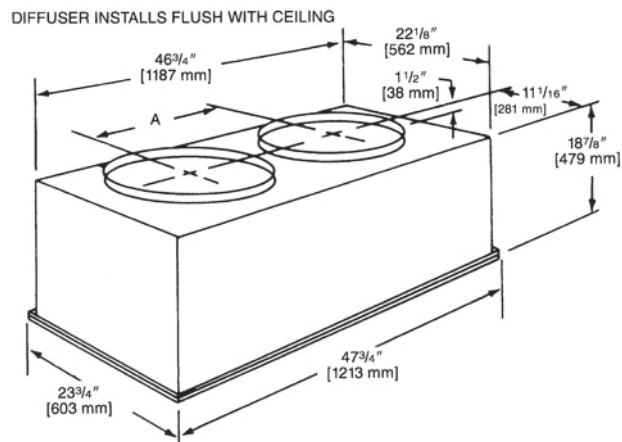
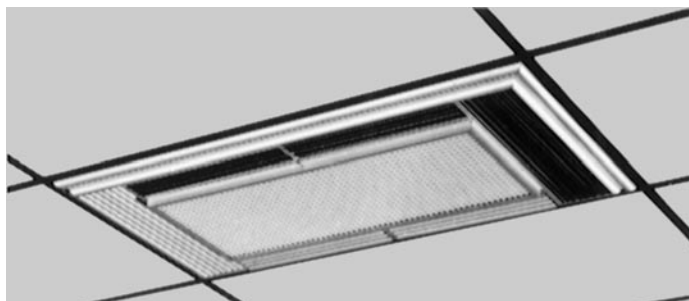
## ACCESSORY EQUIPMENT

Accessory Description	Model Application	Accessory Model No.
Roofcurb	RACA	RXSG-AAA08 (8" [203 mm] Height) RXSG-AAA14 (14" [356 mm] Height)
Duct Adapter Square to Round Transition (Sideflow)	RACA	AXMC-BA01
Supply & Return Diffusers (Downflow)	RACA	RXRN-BD15
Rectangular to Round Transition (Downflow)	RACA	RXMC-CA02 (16" [406 mm] Ducts) RXMC-CA03 (18" [457 mm] Ducts)
Economizers (Convertible)	RACA	AXRD-01RACAM3
Dual Enthalpy Kit	RACA	RXR-04
Fresh Air Damper	RACA	AXRF-FAA1 (Fixed-35%) AXRF-FAB1 (Motorized-35%)
Filter Kit	RACA	RXRY-B01
Low Ambient Control	RACA	RXPZ-G01
Low Pressure Control <sup>1</sup>	RACA	RXAC-C01
Phase Monitor Kit	3ph-RACA	RXR-PM3A01

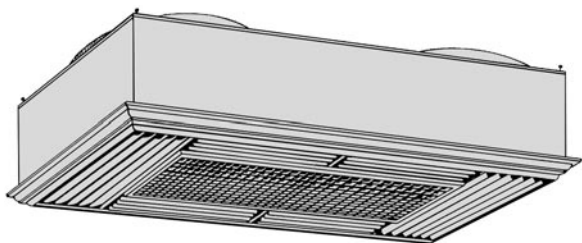
<sup>1</sup>High pressure switch standard on RACAYB

[ ] Designates Metric Conversions

## COMMON SUPPLY/RETURN CONCENTRIC AIR DIFFUSER



## SUPPLY/RETURN DIFFUSER



Designed to convert a side by side or an over and under arrangement into a concentric distribution of air. The diffuser is flush mounted, completely insulated, assembled, and internally baffled to provide four way supply air distribution with a center return. To make the assembly complete and ready to fit into a 2' [0.61 m] x 4' [1.22 m] suspended ceiling grid, the diffuser includes adjustable supply louvers, hanging rings, anti-sweat gasket, and round flanges for use with flexible ducts.

Model No.	Diameter Inches [mm]	Shipping Wt. Lbs. [kg]	Dimension A Inches [mm]
RXRN-BD15	16 [406]	90 [40.82]	20 1/2 [521]

**NOTE:** The location of the combination supply and return diffuser should not exceed 10 feet [3.05 m] above the floor level for units @ 1000 CFM [472 L/s] or less and 12 [3.66 m] to 14 feet [4.27 m] above the floor level for units with CFM greater than 1000 [472 L/s]. If the diffuser is installed with a greater distance than recommended above, the supply air may become stratified above the required comfort area causing uncomfortable conditions.

## AIRFLOW/PRESSURE DROP INFORMATION (INCHES W.C. [kPa])

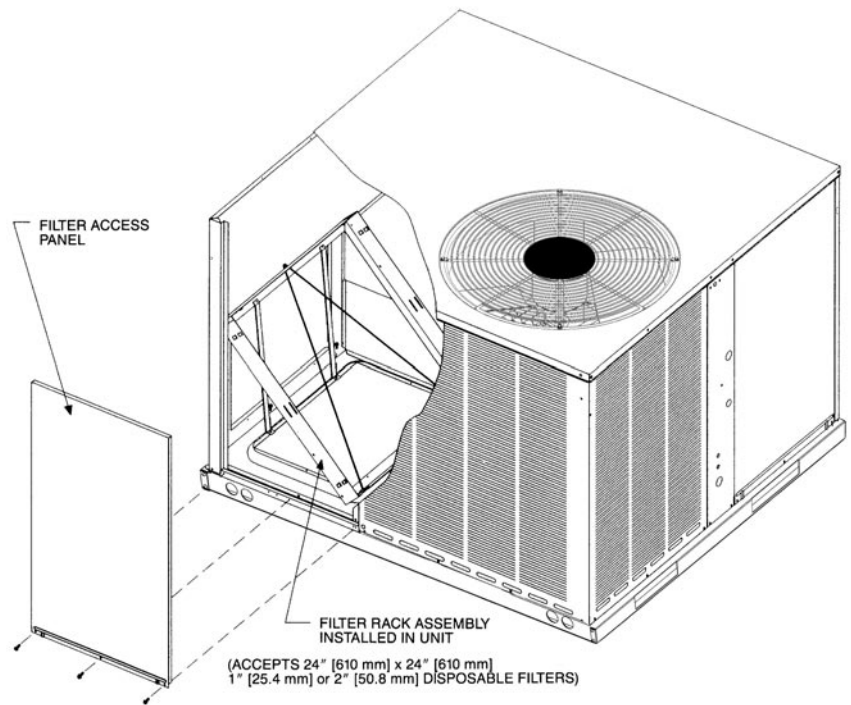
Accessory	Approximate CFM [L/s]-Supply Air			
	1300 [614]	1575 [743]	1800 [850]	2200 [1038]
Plenum & Supply/Return Duct	.07 [.017]	.10 [.024]	.12 [.030]	.17 [.042]
Diffuser	.09 [.022]	.13 [.032]	.16 [.040]	.24 [.060]
Economizer	.06 [.015]	.09 [.022]	.11 [.027]	.17 [.042]

## SUPPLY AIR/PERFORMANCE

Diffuser Airflow CFM [L/s]	Range of Throw Ft. [m]
800 [378]-1200 [566]	14 [4.27]-16 [4.88]
1600 [755]-2000 [944]	18 [5.49]-28 [8.53]

# FILTER KIT INSTALLATION RXRY-B01

For use in either vertical or horizontal discharge

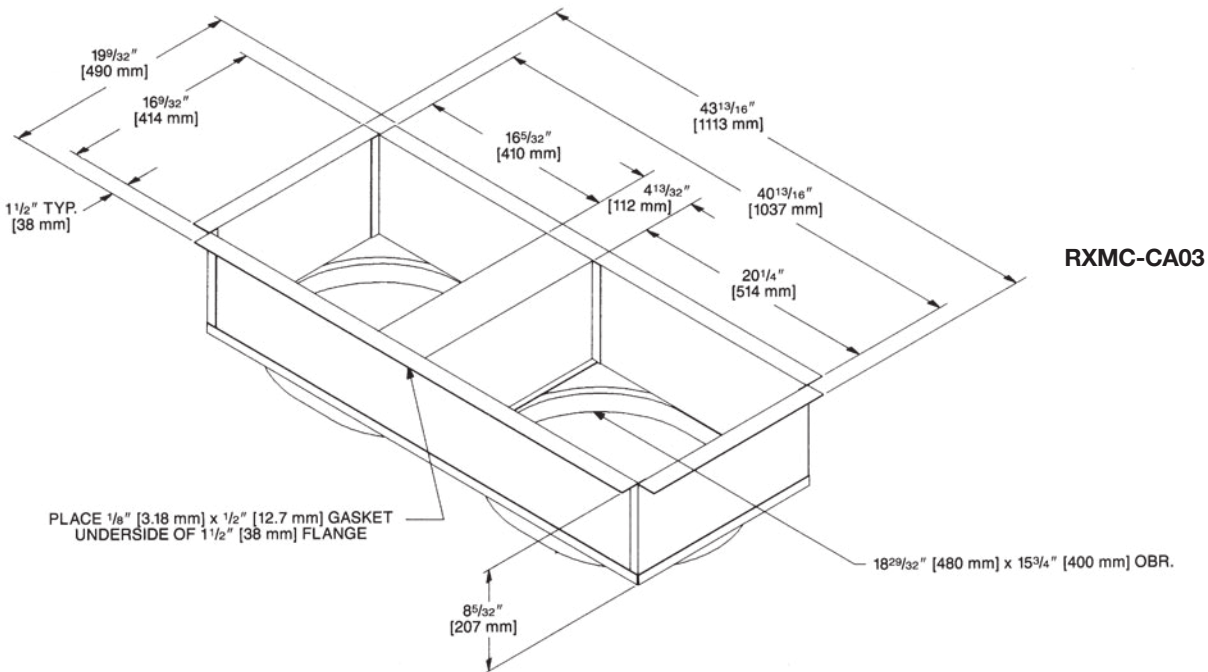
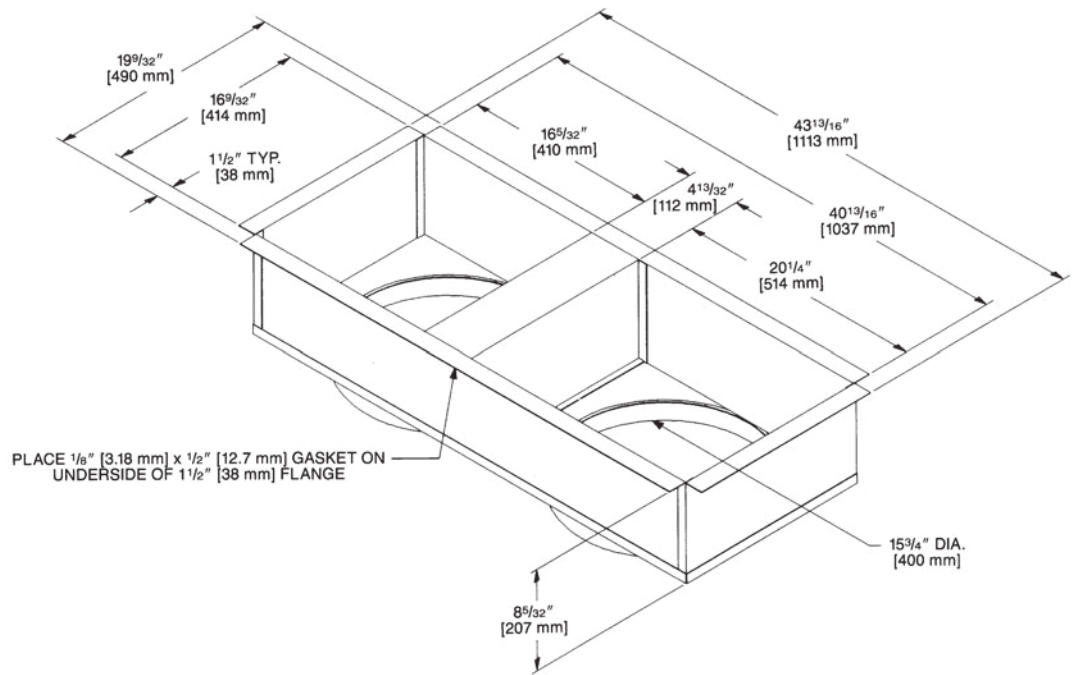


Airflow Pressure Drop, Inches W.C. [kPa]		
CFM [L/s]	1" Filter	2" Filter
500 [236]	.02 [.0050]	.03 [.0075]
600 [283]	.02 [.0050]	.03 [.0075]
700 [330]	.03 [.0075]	.04 [.0101]
800 [378]	.04 [.0101]	.05 [.0124]
900 [425]	.05 [.0124]	.06 [.0149]
1000 [472]	.07 [.0174]	.08 [.0199]
1100 [519]	.08 [.0199]	.09 [.0224]
1200 [566]	.10 [.0249]	.12 [.0299]
1300 [614]	.13 [.0324]	.15 [.0373]
1400 [661]	.16 [.0398]	.19 [.0473]
1500 [708]	.19 [.0473]	.21 [.0523]
1600 [755]	.20 [.0498]	.23 [.0572]
1700 [802]	.21 [.0523]	.24 [.0598]
1800 [850]	.22 [.0548]	.25 [.0623]
1900 [897]	.24 [.0598]	.27 [.0672]
2000 [944]	.26 [.0647]	.29 [.0722]

[ ] Designates Metric Conversions

## DUCT ADAPTERS RECTANGULAR TO ROUND TRANSITIONS (DOWNFLOW)

**RXMC-CA02**



[ ] Designates Metric Conversions



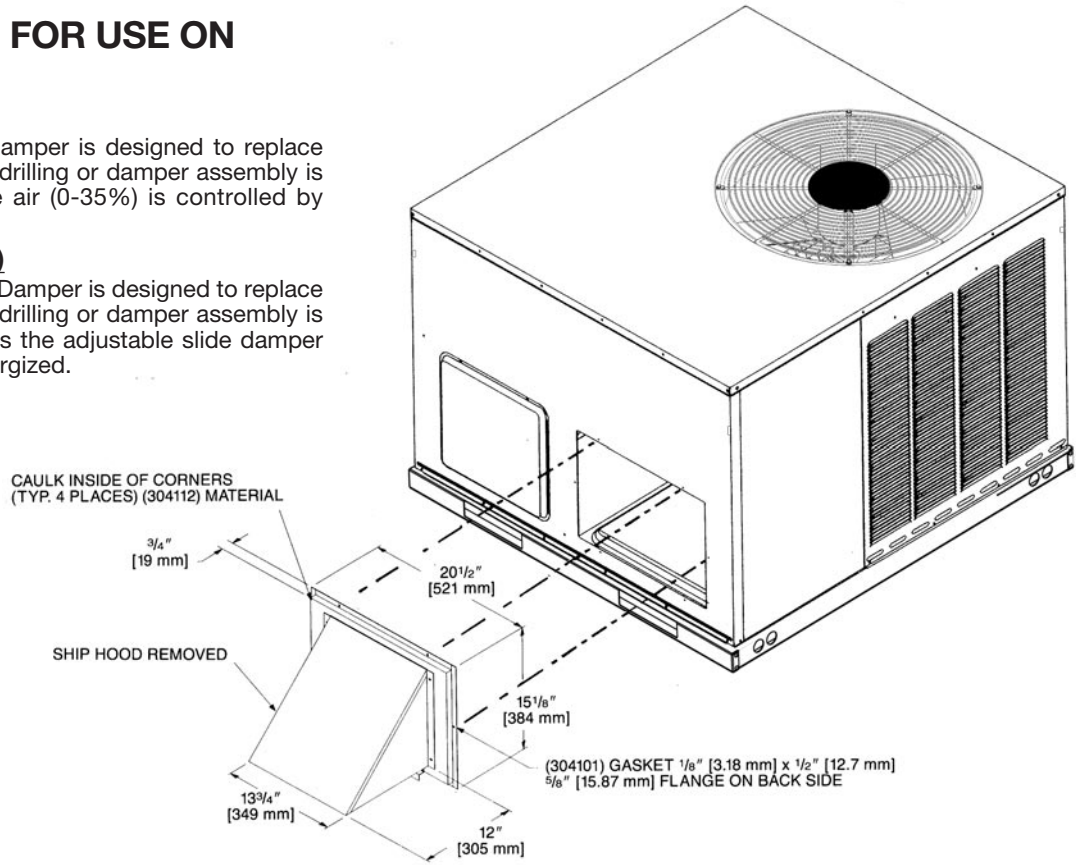
# FRESH AIR DAMPER FOR USE ON RACAYB SERIES

## **AXRF-FAA1 (Fixed - 0-35%)**

The 0-35% manual outside Air Damper is designed to replace the unit return air duct cover. No drilling or damper assembly is required. The amount of outside air (0-35%) is controlled by simply adjusting the side damper.

## **AXRF-FAB1 (Motorized - 0-35%)**

The 0-35% motorized outside Air Damper is designed to replace the unit return air duct cover. No drilling or damper assembly is required. The control motor opens the adjustable slide damper when the unit blower motor is energized.

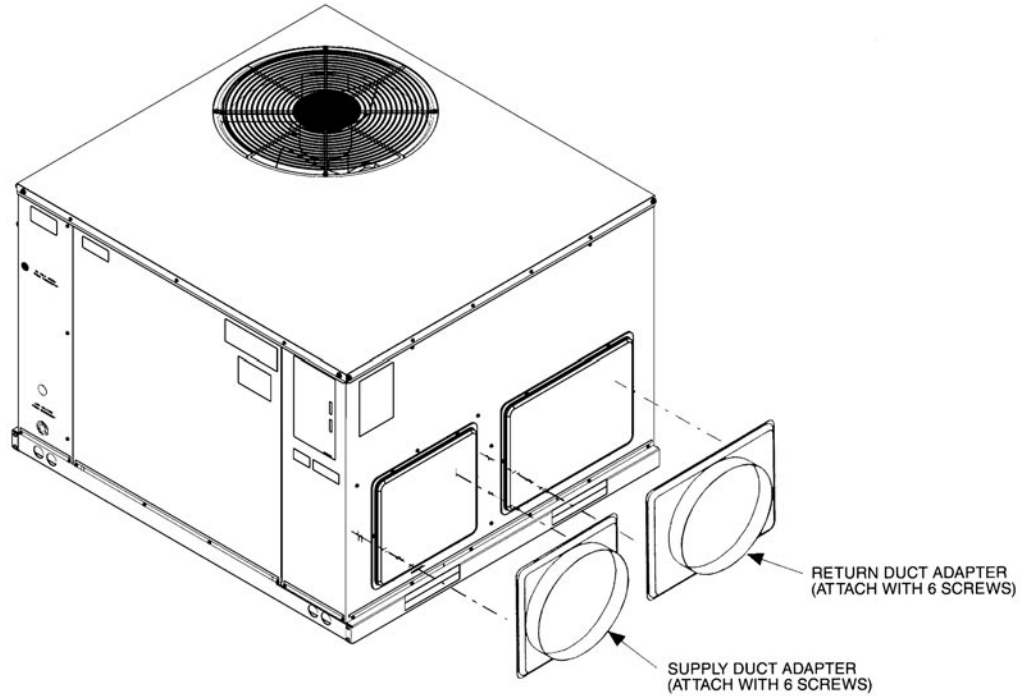


[ ] Designates Metric Conversions

## DUCT ADAPTER SIDEFLOW SQUARE TO ROUND TRANSITION AXMC-BA01

Adapts the side rectangular supply and return openings to 14" [356 mm] diameter round openings. Adapters provided with same finish as unit and also provided with thermal insulation.

[ ] Designates Metric Conversions



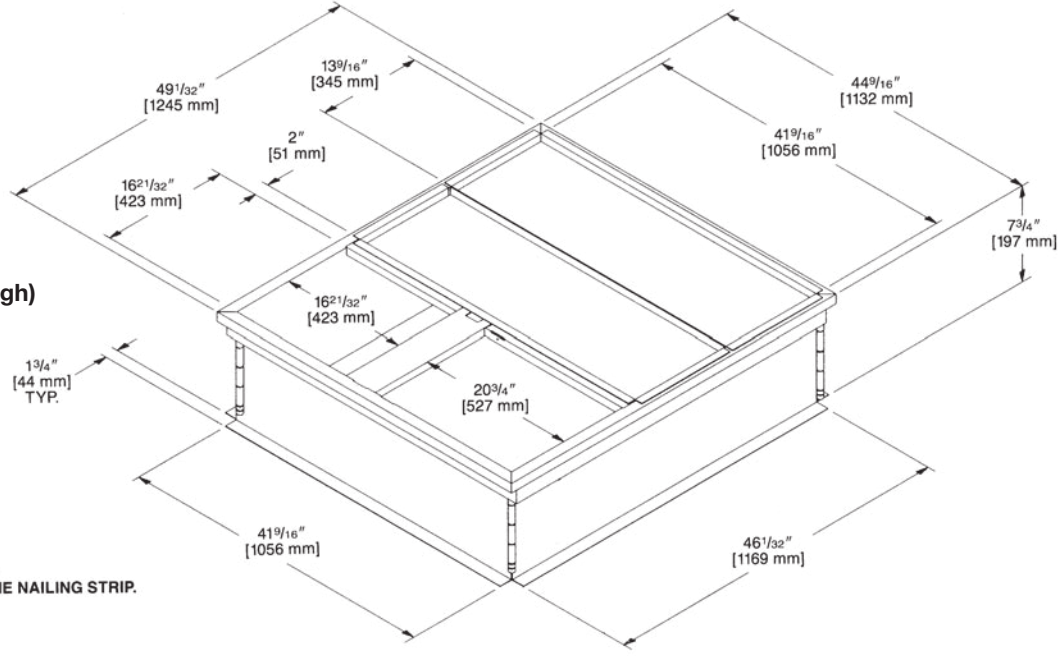
# ROOFCURB (Full Perimeter)

## RXSG-AAA08, RXSG-AAA14 for RACA- Series

Hinged corners make for fast, easy set-up

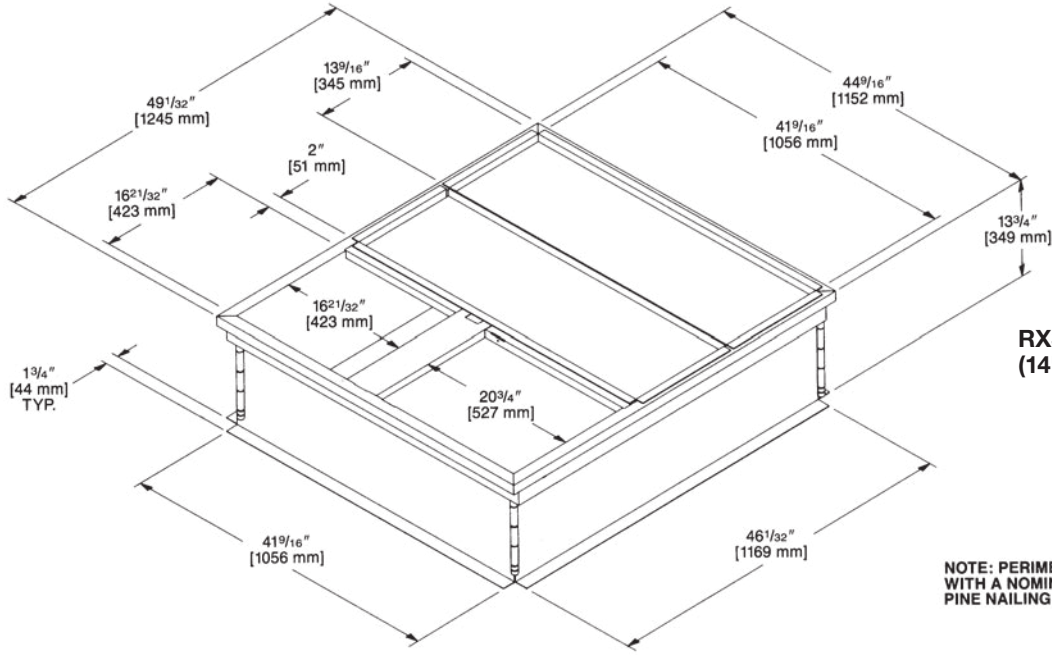
**NOT for use with  
RQKA/RQLA/RQMA  
Packaged Heat Pumps**

**RXSG-AAA08  
(8" [203 mm] High)**



NOTE: PERIMETER OF ROOFCURB IS SUPPLIED WITH A NOMINAL 1" [25.4 mm] x 4" [102 mm] PINE NAILING STRIP.

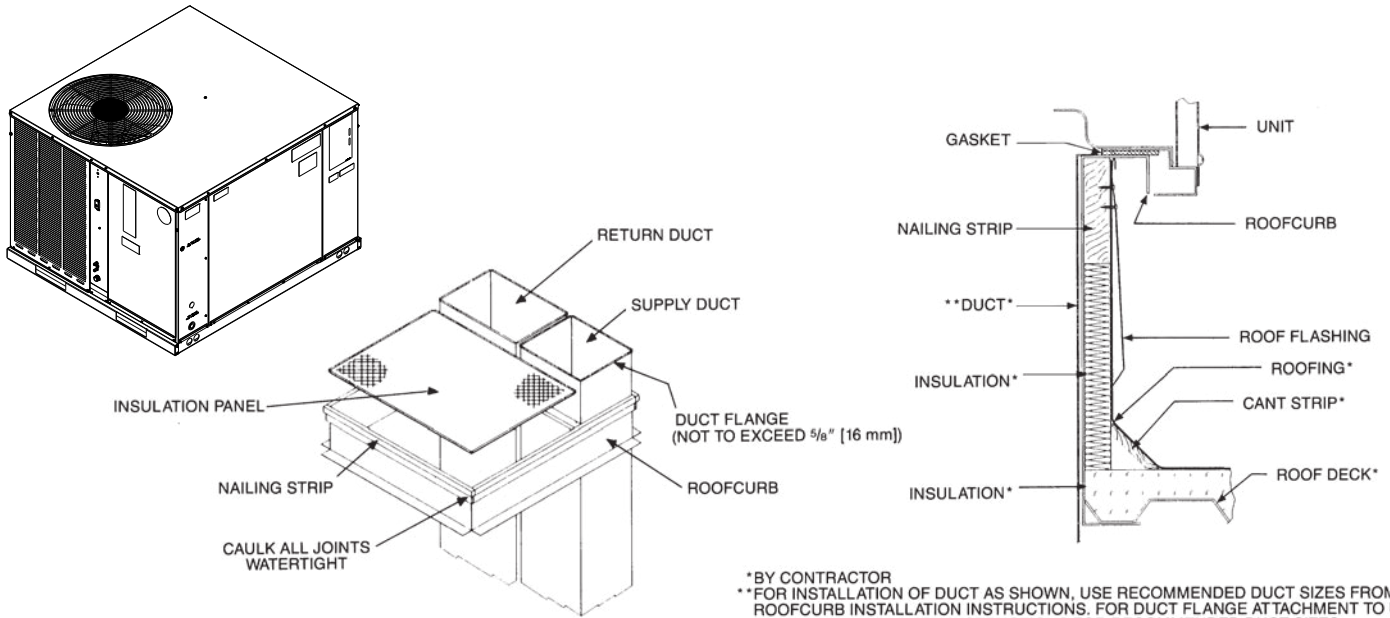
**RXSG-AAA14  
(14" [356 mm] High)**



NOTE: PERIMETER OF ROOFCURB IS SUPPLIED WITH A NOMINAL 1" [25.4 mm] x 4" [102 mm] PINE NAILING STRIP.

[ ] Designates Metric Conversions

# PACKAGED AIR CONDITIONERS & GAS/ELECTRIC PACKAGED UNITS ROOFCURB INSTALLATION (Full Perimeter)



\*BY CONTRACTOR  
 \*\*FOR INSTALLATION OF DUCT AS SHOWN, USE RECOMMENDED DUCT SIZES FROM ROOFCURB INSTALLATION INSTRUCTIONS. FOR DUCT FLANGE ATTACHMENT TO UNIT, SEE UNIT INSTALLATION INSTRUCTIONS FOR RECOMMENDED DUCT SIZES.

[ ] Designates Metric Conversions

## ROOFCURB ADAPTERS

Fabricated from galvanized steel to adapt the New cabinet to the old style curb. All are furnished with a New gasket.

OLD MODEL	OLD CURB MODEL	NEW MODEL TO OLD MODEL ROOF ADAPTER	NEW MODEL PACKAGE
-----------	----------------	--	-------------------

**SMALL CABINET**  
 (1½-2 TON) [5.28-7.03 KW]  
 RSNC-, RSND-, RSNE-  
 RRGE-, RRGF-, RRG-

20 SERIES

RXRA-DB20 (2)

**MEDIUM CABINET**  
 (2½-3 TON) [8.79-10.55 KW]  
 RSNC-, RSND-, RSNE-  
 RRGE-, RRGF-, RRG-, RSNY

21 SERIES

RXRA-DB21 (2)

**EXTRA LARGE CABINET**  
 (3½-5 TON) [12.31-17.58 KW]  
 RSNC-, RSND-, RSNE-  
 RRGE-, RRGF-, RRG-, RSNY  
 (4-5 TON) [14.07-17.58 KW]

23 SERIES

RXPA-CA23 (1)  
 RXRA-DB23 (2)

RXR-BA-CDB20  
 RXRX-BACDB21  
 RXRX-BCCA23  
 RXRX-BCCDB23

RACAZR

ONLY 1 CABINET SIZE-  
 ALL MODELS

(1) SLOPE TYPE  
 (2) FULL PERIMETER TYPE

## **WARNING**

**ONLY ELECTRIC HEATER KITS SUPPLIED BY THIS MANUFACTURER AS DESCRIBED IN THIS PUBLICATION HAVE BEEN DESIGNED, TESTED, AND EVALUATED BY A NATIONALLY RECOGNIZED SAFETY TESTING AGENCY FOR USE WITH THIS UNIT. USE OF ANY OTHER MANUFACTURED ELECTRIC HEATERS INSTALLED WITHIN THIS UNIT MAY CAUSE HAZARDOUS CONDITIONS RESULTING IN PROPERTY DAMAGE, FIRE, BODILY INJURY OR DEATH.**



## GENERAL TERMS OF LIMITED WARRANTY\*

Ruud will furnish a replacement for any part of this product which fails in normal use and service within the applicable periods stated, in accordance with the terms of the limited warranty.

\*For complete details of the Limited and Conditional Warranties, including applicable terms and conditions, contact your local contractor or the Manufacturer for a copy of the product warranty certificate.

### Compressor

Residential Applications .....Ten (10) Years  
Commercial Applications.....Five (5) Years

### Parts

Residential Applications  
(Registration Required) .....Ten (10) Years  
Commercial Applications.....One (1) Year

**Before proceeding with installation, refer to installation instructions packaged with each model, as well as complying with all Federal, State, Provincial, and Local codes, regulations, and practices.**

© 2024 Rheem Manufacturing Company. Ruud trademarks owned by Rheem Manufacturing Company.

*In keeping with its policy of continuous progress and product improvement, Ruud reserves the right to make changes without notice.*

5600 Old Greenwood Road  
Fort Smith, Arkansas 72908 • [www.ruud.com](http://www.ruud.com)

125 Edgeware Road, Unit 1  
Brampton, Ontario • L6Y 0P5