

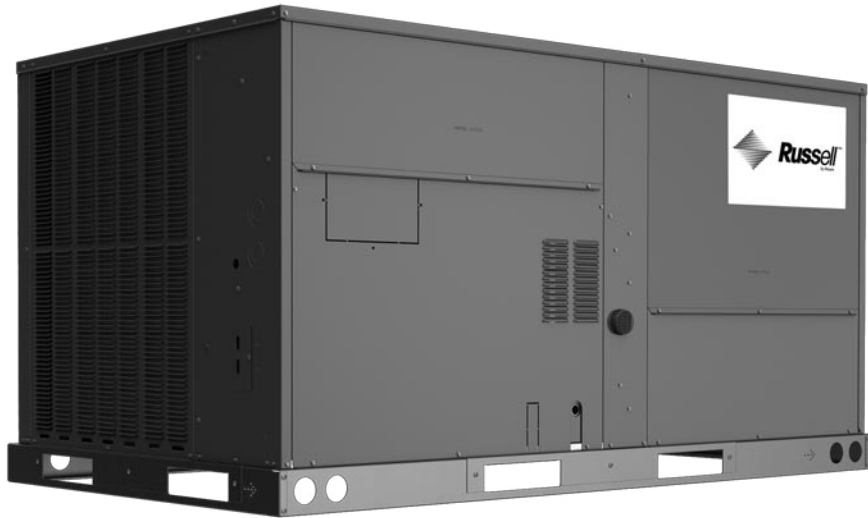


Russell[®]
By Rheem

MODEL: RACC Packaged Air Conditioners

FORM NO. SRR-984 REV. 7

Russell[®] By Rheem Commercial Renaissance[™] Packaged Air Conditioners



RACCZT

- Nominal Size 3, 4, 5 & 6 Tons
- [10.6, 14.0, 17.6 & 21.1 kW]
- ASHRAE 90.1 2019 Compliant Models

RACCZR

- Nominal Sizes 3, 4 & 5 Tons
- [10.6, 14.0 & 17.6 kW]
- ASHRAE 90.1 2019 Compliant Models



TABLE OF CONTENTS

Unit Features & Benefits	3-10
Model Number Identification	11
Options	12
Selection Procedures	13
General Data.....	14-22
General Data Notes	14-22
Weighted Sound Power	23
Gross Systems Performance Data	24-36
Airflow Performance Data	37-44
Electrical Data.....	45-62
Dimensional Data	63-65
Field Installed Accessories	66-84
Guide Specifications	85-89
Limited Warranty	90



RACC STANDARD FEATURES INCLUDE:

- Factory charged with R-410A HFC refrigerant
- Wired and run tested
- Scroll compressors with internal line break overload and high pressure protection
- Convertible airflow – vertical down flow or horizontal side flow
- Forkable base rails for easy handling and lifting
- Cooling operation up to 125°F ambient
- MicroChannel evaporator and condenser coil
- ServiceSmart package includes:
Qwik-Change Flex-Fit Rack™
Qwik-Slide Blower Assembly™
Qwik-Clean Drain Pan™
- Overflow condensate sensor
- Diagnostics with Dual 7-Segment LED Display to meet code compliance
- One-piece top cover and base pan with drawn supply and return opening
- Two-piece control door
- ¼ turn fasteners on filter access door
- Color-coded and labeled wiring
- External lockable gauge ports
- TXV refrigerant metering system
- Solid-core liquid line filter drier
- High pressure and low pressure/loss of charge protection with built-in Smart Logic
- Insulation encapsulated throughout entire unit
- New product footprint with matching connections
- 3-6 Ton ZT models include one two-stage compressor
- 3-5 Ton ZR models include one single-stage compressor
- 6 Ton includes a single 2-Stage compressor
- 3-5 Ton includes one single-stage compressor
- MERV 8 & MERV 13 filters are available as an accessory
- Standard Modbus interface

FACTORY INSTALLED OPTIONS:

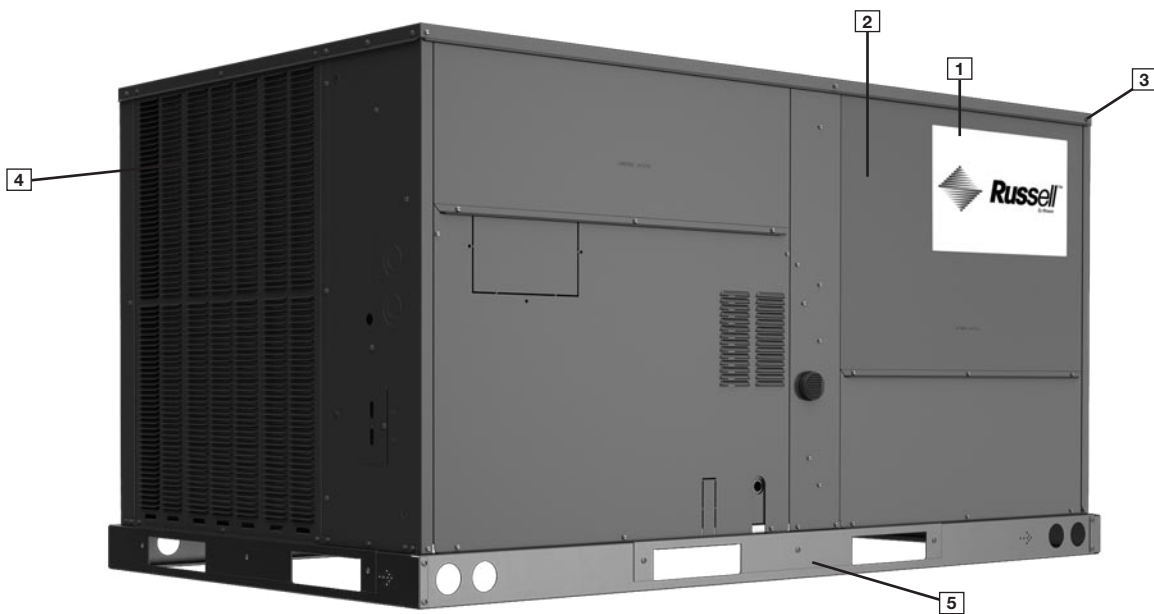
- Louvered panels
- Hinged access doors
- Low ambient/freeze stat
- Non-powered convenience outlet
- Economizer (Title 24 and ASHRAE 90.1 2019 compliant)
- Supply and return smoke detector

- Return smoke detector
- ElectroFin® E-Coat for Microchannel Condenser Coil Coating
- ClearControl™ Direct Digital Control (DDC)
- Comfort Alert Phase-monitor Protection
- Vertical Economizer

FIELD INSTALLED ACCESSORIES:

Accessory	Model Number	Factory Installation Available?
Economizer w/Single Enthalpy (Downflow/Vertical)	RXRD-01MCDAM3	Yes
Economizer w/Single Enthalpy (Horizontal)	RXRD-01MCHAM3	No
Economizer-w/Single Enthalpy (Downflow/Vertical) DDC	RXRD-01MCDBM3	Yes
Economizer w/Single Enthalpy (Horizontal) DDC	RXRD-01MCHBM3	No
Dual Enthalpy Kit	RXXR-BV01	No
Dual Enthalpy Kit DDC	RXXR-BV02	No
Power Exhaust (230V) Vertical	RXXR-CCF02C	No
Power Exhaust (460V) Vertical	RXXR-CCF02D	No
Power Exhaust (230V) Horizontal	RXXR-CCF03C	No
Power Exhaust (460V) Horizontal	RXXR-CCF03D	No
Manual Fresh Air Damper	RXRF-ACA1	No
Motorized Fresh Air Damper	RXRF-ACB1	No
Roofcurb, 14"	RXKG-DCC14	No
Roofcurb, 24"	RXKG-DCC24	No
Roofcurb Adapter	RXXR-DCCAE	No
Roofcurb, 14" Welded	RXKG-DC14	No
Roofcurb, 24" Welded	RXKG-DC24	No
Concentric Diffuser 3-4 Ton Flush	RXRN-AEF1800	No
Concentric Diffuser 5-6 Ton Flush	RXRN-AEF2000	No
Concentric Diffuser 3-4 Ton Drop	RXRN-AED1800	No
Concentric Diffuser 5-6 Ton Drop	RXRN-AED2000	No
Concentric Adapter 3-4 Ton Drop	RXMC-DC01	No
Concentric Adapter 5-6 Ton Drop	RXMC-DC02	No
Outdoor Coil Louver Kit	RXXR-ADD04C	Yes
Nonpowered Convenience Outlet	RXXR-BN01	Yes
Unfused Service Disconnect	RXXR-BP01	Yes
Comfort Alert (1 Phase) DDC	RXXR-AZ03	Yes
Comfort Alert (1 Phase) Non-DDC	RXXR-AZ04	Yes

Accessory	Model Number	Factory Installation Available?
Comfort Alert (3 Phase) DDC	RXXR-AZ01	Yes
Comfort Alert (3 Phase) Non-DDC	RXXR-AZ02	Yes
Carbon Dioxide Sensor (Wall Mount)	RXXR-AR02	No
BACnet Communication Card	RXXR-AY01	No
LonWorks Communication Card	RXXR-AY02	No
Room Humidity Sensor	RHC-ZNS4	No
Room Temperature and Relative Humidity	RHC-ZNS5	No
Low-Ambient Control Kit	RXRZ-A04	Yes
Freeze Stat Kit	RXXR-AM05	Yes
Return Smoke Detector (Field kit)	RXXR-BS01	No
Return/ Supply Smoke Detector (Field kit)	RXXR-BS02	No
Electric Heater Kits	RXJJ-DC10JT	Yes
	RXJJ-DC15JT	Yes
	RXJJ-DC20JT	Yes
	RXJJ-DC10CP	Yes
	RXJJ-DC15CP	Yes
	RXJJ-DC20CP	Yes
	RXJJ-DC24CP	Yes
	RXJJ-DC10DNV	Yes
	RXJJ-DC15DNV	Yes
	RXJJ-DC20DNV	Yes
Single Point Wiring Kits	RXJX-AJ0601 (Single Phase)	No
	RXJX-AZ0601 (Three Phase)	No
MERV 8 Filter	RXMF-M08A21616	No
MERV 13 Filter	RXMF-M13A21616	No
UV-C Light Kit for 208/230V	RXXR-UV22C	No
UV-C Transformer Kit for 460V or 575V	RXXR-UVCTC	No



Cabinet and Foundation

Outwardly, the large Russell® By Rheem Commercial label (1) identifies the brand to the customer. The sheet-metal cabinet (2) uses 18-gauge material for structural components with an underlying coat of G90. To ensure the leak-proof integrity of these units, the design utilizes a one-piece top with a 1/8" drip lip (3) as well as gasket-protected panels and screws. The Russell® By Rheem hail guard (optional) (4) sets the standard for coil protection in the industry. Electro deposition, baked-on enamel that is tested to withstand a rigorous 1000-hour salt spray test, per ASTM B117.

Anything built to last must start with the right foundation. Following that model, the foundation is comprised of 14-gauge, commercial-grade, full perimeter base rails (5) that integrate fork slots and rigging holes to save set-up time on the job site.

Easy Installation

The Renaissance line features a new footprint that simplifies the replacement process by eliminating the need for a new curb adapter and being able to match inlet, outlet and electrical connections of the most common/industry-standard configurations.

Base Pan

The base pan is stamped to form a 7/8" flange around the supply and return cover, which eliminates the worry of water entering the conditioned space (6). All insulation is secured with both adhesive and mechanical fasteners, and all edges are hidden.



Drain Pan

The Qwik-Clean Drain Pan™ (7) is made from a composite material that resists the growth of harmful bacteria. With both side and center drain options, the drain pan slides out completely for easy cleaning. It also features a standard overflow switch.



Test Standards

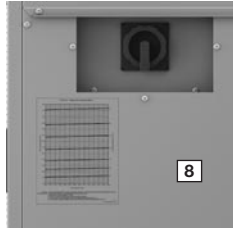
During development, each unit was tested to U.L. 1995, AHRI 210/240 (3-5 ton) or AHRI 340/360 (6 ton), as well as other Russell® By Rheem-required reliability tests. Russell® By Rheem adheres to stringent ISO 9001 quality procedures, and each unit bears the U.L. and AHRI certification labels located on the unit nameplate. Contractors can be assured that when a Russell® By Rheem packaged unit arrives at the job, it is ready to go with a factory charge and quality checks. Each unit also proudly displays the "Made in the USA" designation.

Easy Access

All major compartments are easily accessible from the front of the unit: the electrical compartment, blower compartment, heating section, and outdoor section. Each compartment has mechanical fasteners. Panels are permanently embossed with the compartment name (e.g. control/filter access, blower access, and electric heat access). The filter compartment is accessed through a large, mechanically fastened panel. Information is readily available on the outside of the panel, with a nameplate that contains the model and serial numbers, electrical data, and other important unit information. Hinged access is available as an option for the electrical, blower, and filter compartments.

Charging Charts, Wiring Diagrams, & Labels

The unit charging chart is located on the outside of the compressor access panel. Electrical wiring diagrams are found on the control box cover, which allows contractors to move them to more readable locations. The model and serial numbers are located on the right of the control box. Having this information on the inside means easier model identification for the life of the product. The production line quality test assurance label is also placed in this location (8).



Filter Rack

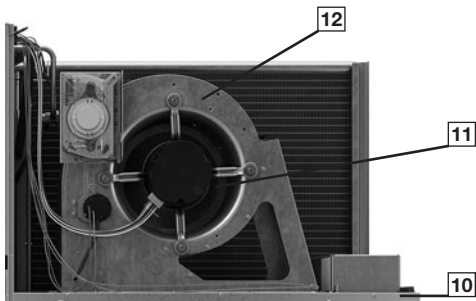
Located within the filter compartment, the Qwik-Change Flex-Fit Rack™ (9) allows easy changeover between 2" and 4" standard size and readily available filters.



Blower Assembly

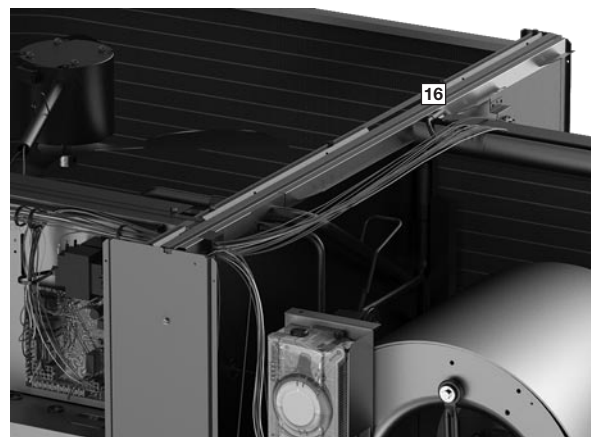
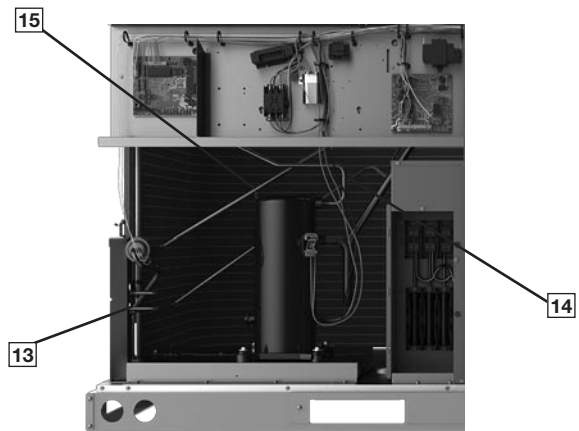
Removing three screws provides full access to the blower compartment. Inside, the Qwik-Slide Blower Assembly™ (10) is incredibly easy to access and remove. This makes servicing internal components such as blower motor, TXV, and microchannel coil much easier. The entire assembly slides out by removing the 3/8" screws from the blower retention bracket.

Where the demands for the job require high static, Russell® By Rheem offers drives (11) that deliver nominal airflow up to 1.5" of static. By referring to the airflow performance tables listed in the installation instructions, proper static pressure and CFM requirements can be dialed in. The scroll housing (12) and blower scroll provide quiet and efficient airflow.



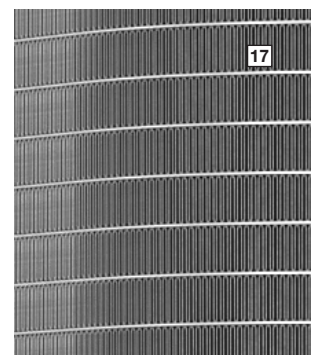
High and Low Pressure Switches & Freeze Stat

High pressure (13) and low pressure (14) switches are standard. They are located in the outdoor section along with the low-ambient control (15). The optional Freeze Stat (16) (standard on models with ClearControl), is clipped onto the suction line in the blower compartment. The low ambient control allows the compressor to operate down to 0 degrees ambient temperature by cycling the outdoor fans on high pressure. The high-pressure switch shuts off the compressors if pressures exceeding 610 PSIG are detected. The low-pressure switch shuts off the compressors if low pressure is detected due to loss of charge. Built-in Smart Logic reduces nuisance calls by only shutting off compressors after the third detection. The freeze stat protects the compressor if the evaporator coil gets too cold (below freezing) due to low airflow.



MicroChannel Evaporator & TXV

The Microchannel Evaporator (17) is accessible through the blower compartment, and through the filter rack, to simplify cleaning. The evaporator uses microchannel technology for maximum heat transfer, light weight, fewer manually brazed connections and reduced refrigerant charge. The TXV metering device maintains superheat over a wide range of varying temperatures optimizing unit performance for all conditions.



Control Box

Inside the control box (18), each electrical component is clearly labeled; that label matches the component to the wire diagram for ease of trouble shooting. All wiring is numbered on each end of the termination and is color-coded to match the wiring diagram. The integrated furnace control, incorporates the Diagnostics: Dual 7-Segment LED Display (19) with easy-to-understand fault codes. The control transformer has a low voltage circuit breaker that trips if an electrical short occurs.



ClearControl™ DDC System

The optional ClearControl™ Direct Digital Control (DDC) system consisting of a rooftop unit controller, temperature sensors, and pressure sensors, allows real-time monitoring and communication between rooftop units. The Rooftop Unit Controller (RTU-C) that is factory mounted and wired into the control panel. The RTU-C is a solid-state, microprocessor-based control board that provides flexible control and extensive diagnostics for all unit functions. The RTU-C, using proportional/integral control algorithms, performs specific unit functions that govern unit operation in response to zone conditions, system temperatures, system pressures, ambient conditions, and electrical inputs. The RTU-C features a 16 x 2 character LCD display and a five-button keypad for local configuration and direct diagnosis of the system (20). Features include a clogged filter switch (CFS), fan proving switch (FPS), return air temperature sensor (RAT), discharge air temperature sensor (DAT), and outdoor air temperature sensor (OAT). Freeze sensors (FS) are used in place of freeze stats to allow measurement of refrigerant suction line temperatures.

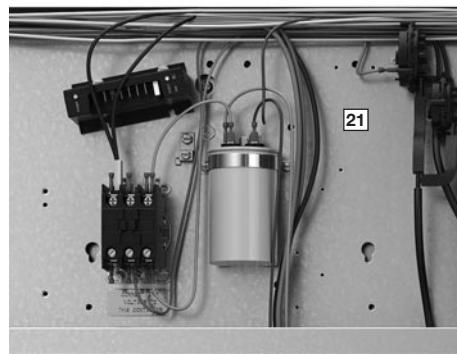


The RACC Cooling only with the RTU-C is specifically designed to be applied in four distinct applications:

- 1. BACnet Communication** — The RACC is compatible with a third party building management system that supports the BACnet Application Specific Controller device profile, with the use of a field installed BACnet Communication Module. The BACnet Communication Module plugs onto the unit RTU-C controller and allows communication between the RTU-C and the BACnet MSTP network. A zone sensor, a BACnet network zone sensor, a BACnet thermostat, or DDC controller may be used to send the zone temperature or thermostat demands to the RTU-C. The BACnet Communication Module is compatible with MSTP EIA-485 daisy chain networks communicating at 38.4 bps. It is compatible with twisted pair, shielded cables.
- 2. LonWorks Communication** — The RACC is compatible with a third party building management system that supports the LonMark Space Comfort Controller (SCC) functional profile or LonMark Discharge Air Controller (DAC) functional profile. This is accomplished with a field installed LonMark communication module. The LonMark Communication Module plugs onto the RTU-C controller and allows communication between the RTU-C and a LonWorks network. A zone sensor, a LonTalk network zone sensor, or a LonTalk thermostat or DDC controller may be used to send the zone temperature or thermostat demands to the RTU-C. The LonMark Communication Module utilizes an FTT-10A free topology transceiver communicating at 78.8 kbps. It is compatible with Echelon qualified, twisted pair cable, Belden 8471, or NEMA Level 4 cables. The module can communicate up to 1640 feet with no repeater. The LonWorks limit of 64 nodes per segment applies to this device.
- 3. 24V Thermostat Compatibility** — The RACC is compatible with a programmable 24 volt thermostat. Connections are made via conventional thermostat screw terminals. Extensive unit status and diagnostics are displayed on the LCD screen of the RTU-C.
- 4. Zone Sensor Compatibility** — The RACC is compatible with a zone sensor and a mechanical or solid state time clock connected to the RTU-C. Extensive unit status and diagnostics are displayed on the LCD screen of the RTU-C.

ComfortAlert®

A factory or field installed Comfort Alert® (21) module is available for power phase-monitoring protection and additional compressor diagnostics. The alarms can be displayed on the RTU-C display, through the (BAS) network, or connected to the “L-Terminal” of a thermostat for notification.



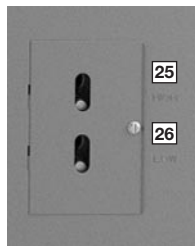
Convenience Outlet, Disconnect, & Circuit Breaker

The convenience outlet option comes non-powered from the factory (23). Low and high voltage can enter from the side or through the base. Low-voltage connections are made through the low-voltage terminal strip. For ease of access, the U.L.-required low voltage barrier can be temporarily removed for low-voltage termination and then reinstalled. The high-voltage connection is terminated at the number 1 compressor contactor. The suggested mounting for the field-installed disconnect or circuit breaker is on the exterior side of the electrical control box.



External Lockable Gauge Ports

To the right left of the compressor compartment are the externally mounted lockable gauge ports. They are permanently identified by embossed lettering that identifies the compressor circuit, high pressure connection, (25) and low pressure connection (26). Because the gauge ports are mounted externally, an accurate diagnostic of system operation can be performed without removing access panels. Brass caps on the Schrader fitting ensure the gauge parts are leak proof.



Compressor

The compressor compartment houses the heartbeat of the unit. The scroll compressor (30) is known for its long life and for reliable, quiet, and efficient operation. The suction and discharge lines are designed with shock loops (31) to absorb the strain and stress that the starting torque, steady state operation, and shut-down cycle impose on the refrigerant tubing. 3-5 ton ZR units include one single-stage compressor, and 3-6 ton ZT units include one two-stage compressor.



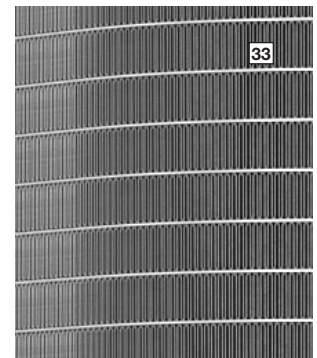
Condenser Fans

The condenser fan motor (32) can easily be accessed and maintained through the top of the unit. A down-mount fan provides corrosion protection and easy removal. The polarized plug connection allows the motor to be changed quickly and eliminates the need to snake wires through the unit.



MicroChannel Condenser Technology

The outdoor coil uses the latest microchannel technology (33) for the most effective method of heat transfer. The outdoor coil is protected by optional louvered panels, which allow unobstructed airflow while protecting the unit from both the environment and vandalism.



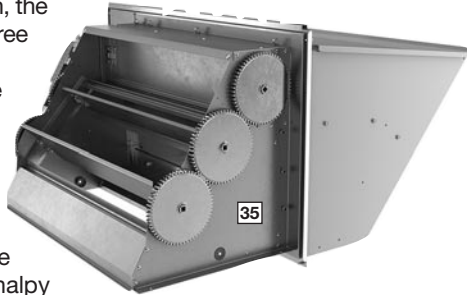
Coil Coating

Every unit offers the option of factory-applied ElectroFin® E-Coat condenser coating (34) that delivers superior corrosion resistance for outdoor coils to operate in the harshest of environments.



Economizer and Dampers

Each unit is designed for both down flow or horizontal applications (35) for job configuration flexibility. The return air compartment can also contain an economizer. Each unit is pre-wired for the economizer to allow quick, plug-in installation. Available as a factory-installed option, the economizer provides free cooling when outdoor conditions are suitable and also provides fresh air to meet local requirements. It comes standard with single enthalpy controls, which can be upgraded to dual enthalpy easily in the field. The direct drive actuator combined with gear drive dampers has eliminated the need for linkage adjustment in the field. The economizer control has a minimum position set point, an outdoor-air set point, a mixed-air set point, and a CO₂ set point. Barometric relief is standard on all economizers.



Power Exhaust is easily field-installed. The power exhaust is housed in the barometric relief opening and is easily slipped in with a plugin assembly. The wire harness to the economizer also has accommodations for a smoke detector.

The damper minimum position, actual damper position, power exhaust on/off set point, mixed air temperature limit set point, and Demand Controlled Ventilation (DCV) set point can be read and adjusted at the unit controller display or remotely through a network connection. The Space CO₂ level, mixed air temperature, and Economizer Status (free cooling available, single or dual enthalpy) can be read at the unit controller display or remotely through a network connection. Economizer faults will trigger a network alarm and can be read at the unit controller display or remotely through a network connection.

Roofcurb

The Russell® By Rheem roofcurb (36) is made for tool-less assembly at the jobsite by engaging tabs in slots of adjacent curb sides, which makes the assembly process quick and easy.



HUMIDIDRY™ DEHUMIDIFICATION SYSTEM

With the factory installed dehumidification option, in addition to a thermostat or space temperature sensor that is normally present, an indoor relative humidity sensor is installed in the occupied space and connected to the Rooftop Unit Controller (RTU-C) which then controls the capacity of the cooling coil to remove moisture from the supply air and maintain space relative humidity below an adjustable limit visible on the RTU-C display. The default value is the ASHRAE recommended limit of 60% RH. With this option, a refrigerant reheat coil is installed downstream from the evaporator coil. When the space humidity is too high and reheat is energized, this coil uses some of the heat that is normally rejected to the outside by the condenser coil to instead reheat the cold air from the evaporator coil just enough to avoid overcooling and providing “neutral air” to the occupied space. On a two-stage system, it is possible for both a thermostat and humidistat to register readings above set point. Under this condition, the system runs in the high stage dehumidification cycle, and the VFD operates on high speed. This provides dry conditioned air.

Because the demand for dehumidification can be different from the cooling demand, the unit will first satisfy the demand for cooling and then if the space humidity is still too high, dehumidification mode is energized. When in dehumidification mode, the supply air leaving the unit will be near the entering air temperature, but at a much lower humidity. The unit will exit the dehumidification mode when the humidity set point is satisfied; or if the load is increased, it will return to normal cooling mode. Reheat is not available during the gas-heating mode.

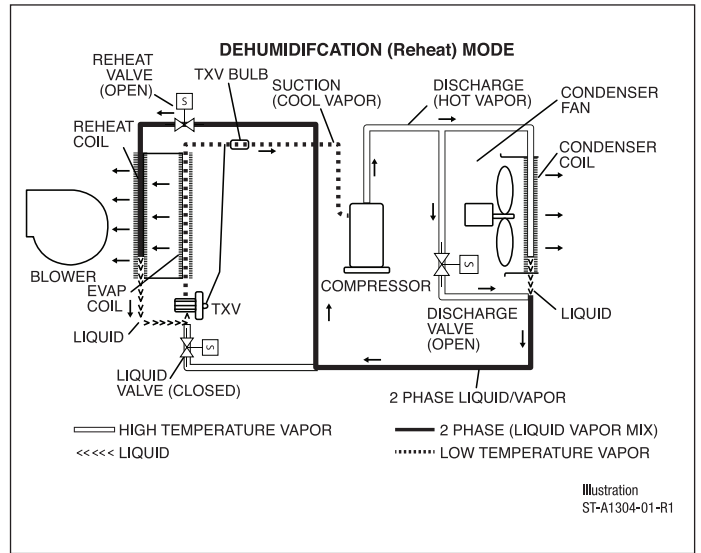


Figure 2 shows the refrigerant path during the reheat mode. When the reheat cycle is energized by the RTU-C, the reheat solenoid valve, upstream of the reheat coil opens. The liquid solenoid valve ahead of the TXV, closes. The discharge solenoid valve, in the compressor discharge line, opens. The liquid refrigerant leaves the TXV with the sudden pressure drop causing the liquid to expand to a vapor and absorbing the heat from the supply air going through the evaporator coil. The refrigerant vapor then travels to the compressor where it is elevated to a higher pressure and temperature. The refrigerant next carries the heat to a parallel path between the outside condenser coil and a bypass circuit. Some of the heat is rejected outdoors. The ratio of heat rejected outdoors versus indoors is controlled by an outdoor fan motor controller (OFMC) that monitors the two-phase temperature and varies the fan speed. This 2-phase refrigerant vapor is then sent to the reheat coil. As the refrigerant travels through the reheat coil it condenses into a sub-cooled liquid where the process repeats itself.

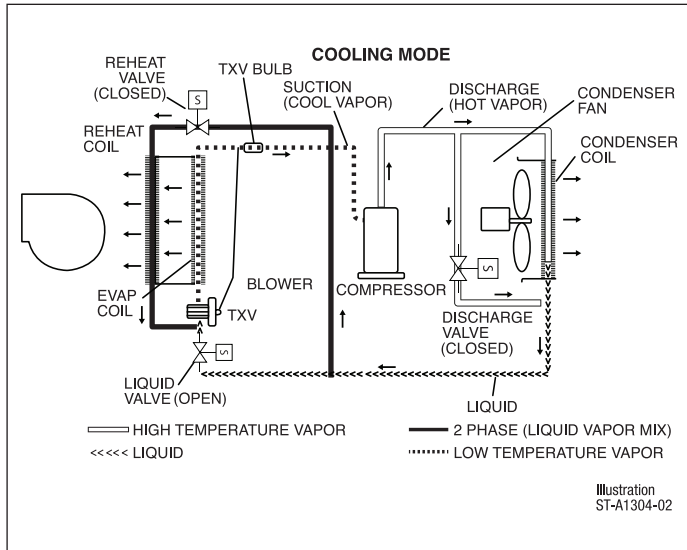


Figure 1 shows the refrigerant path during the normal cooling mode. The liquid refrigerant leaves the TXV with the sudden pressure drop causing the liquid to expand to a vapor and absorbing the heat from the supply air going through the evaporator coil. The refrigerant vapor then travels to the compressor where it is elevated to a higher pressure and temperature. The superheated refrigerant vapor next carries the heat to the outside coil where the heat is then rejected and the refrigerant condenses into a subcooled liquid where the process repeats itself.

R AC C ZR 036 A C T 10 2 A A ***
1 23 4 56 789 10 11 12 13 14 15 16 17 18 19 20

1 – Brand

R = Russell® By Rheem

2, 3 – Unit Type

AC = Packaged AC

4 – Cabinet Type

C = Small Commercial

5, 6 – Cooling Stages

ZR = 1 Stage Cooling

ZT = 2 Stage Cooling

7, 8, 9 – Capacity

036 = 3 Ton

048 = 4 Ton

060 = 5 Ton

072 = 6 Ton

10 – Major series

A

11 – Voltage

J = 1 phase/208-230V/60 Hz¹

C = 3 phase/208-230V/60 Hz

D = 3 phase/460V/60 Hz

Y = 3 phase/575V/60 Hz²

12 – Drive

T = Direct Drive Standard Static
Constant Torque

U = Direct Drive High Static
Constant Torque

13, 14 – Heat Capacity

00 = No Heat

10 = 10 kw

15 = 15 kw

20 = 20 kw

24 = 24 kw

15 – Heat Configuration

0 = No stages

1 = 1-stage

2 = 2-stage

16 – Control

A = Core Command
(Non-Communicating)

B = Core Command with
Phase Monitor

C = Clear Control (DDC)

D = Clear Control (DDC) &
Comfort Alert

17 – Minor series

A = First Generation

B = Second Generation

C = Third Generation

18, 19, 20 – Option Code

See next page

NOTES:

1. J voltage is not available on 6 ton models.
2. Y voltage is only available on ZR036-060 and ZT072 models.

FACTORY INSTALLED OPTION CODES FOR RACC (3 TO 6 TON)

18					19					20			
LV = Louver protection					LF = Low Ambient / Freeze Stat					EC = Economizer			
RH = Reheat ¹										SS = Supply and Return Smoke Detector			
HA = Hinged Access					NP = Non-powered Convenience Outlet					RS = Return Smoke Detector			
CC ² = Coil Coating													
Option code character highlighted below					Option code character highlighted below					Option code character highlighted below			
A	None				A	None				0	None		
B	LV				B	LF				1	EC		
C	HA				C	NP				2	RS		
D	LV	HA			D	LF	NP			3	EC	RS	
E	LV	CC								4	SS	RS	
F	LV	HA	CC							5	EC	SS	RS
N	RH												
P	LV	RH											
Q	RH	HA											
R	LV	RH	CC										
S	LV	RH	HA										
T	LV	RH	HA	CC									

¹Low ambient freeze-stat included on all reheat models; low ambient option is not selectable for this unit.

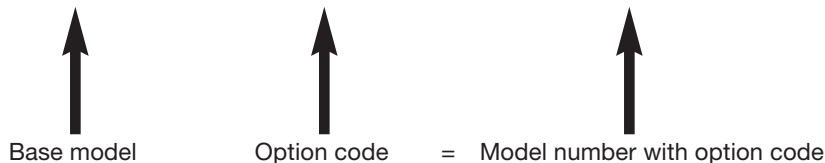
²CC-requires LV (louver protection)

Instructions for Factory Installed Option(s) Selection

Note: Three characters following the model number will be utilized to designate a factory-installed option or combination of options. If no factory option(s) is required, "AAO" follows the model number.

- **Step 1:** In the table above, based on the desired features, choose option code character from highlighted options on the left side under the number 18. For example, the option code character "E" has Louver protection and Coil Coating.
- **Step 2:** In the table above, based on the desired features, choose option code character from highlighted options on the left side under the number 19. For example, the option code character "F" has Low Ambient / Freeze Stat and Disconnect switch.
- **Step 3:** In the table above, based on the desired features, choose option code character from highlighted options on the left side under the number 20. For example, the option code character "3" has Economizer and Return Smoke.
- The resulting option code from examples above is: "EF3"
- **Step 4:** Add your option code selection to the end of model number

○ Example: RACCZR036ACT000AA EF3 = RACCZR036ACT000AAEF3



To select an RACC Cooling and Heating unit to meet a job requirement, follow this procedure, with example, using data supplied in this specification sheet.

1. DETERMINE COOLING AND HEATING REQUIREMENTS AND SPECIFIC OPERATING CONDITIONS FROM PLANS AND SPECS.

Example:

Voltage—	230 V – 3 Phase – 60 Hz
Total Cooling Capacity—	47,000 BTUH [13.8 kW]
Sensible Cooling Capacity—	36,000 BTUH [10.6 kW]
Heating Capacity—	29,300 BTUH [10 kW]
*Condenser Entering Air—	95°F [35.0°C] DB
*Evaporator Mixed Air Entering—	67°F [19.4°C] WB 78°F [25.6°C] DB
*Indoor Air Flow (vertical)—	1600 CFM [755 L/s]
*External Static Pressure—	0.6 in. WG [.15 kPa]

2. SELECT UNIT TO MEET COOLING REQUIREMENTS.

Since total cooling is within range of a nominal 4-ton unit, use the cooling performance table at 95°F DB condenser inlet air. Interpolate between 1730 CFM [816 L/s] and 1400 CFM [660 L/s] to determine total and sensible capacity and Depression Ratio for inlet air at 1600CFM [755 L/s] indoor airflow (table basis)

Interpolation Formula:

$$MBH_1 + \left[(CFM - CFM_1) \times \left(\frac{MBH_2 - MBH_1}{CFM_2 - CFM_1} \right) \right] = MBH$$

Total Cooling Capacity:

$$46,800 + \left[(1,600 - 1,730) \times \left(\frac{45,200 - 46,800}{1,400 - 1,730} \right) \right] = 46,170 \text{ BTUH}$$

Total Cooling Capacity = 46,800 BTUH [13.5 kW]
Sensible Cooling Capacity = 33,7400 BTUH [9.9 kW]
DR = 0.2

When the entering dry bulb temperature (dbE) is not 80°F [26.7°C], the sensible capacity needs to be adjusted.

Note: total capacity is unaffected

Sensible Capacity Depression Formula:

$$Cap_{sensible} + [1.10 \times CFM \times (1 - DR) \times (dbE - 80)]$$

$$= 33,740 + [1.10 \times 1,600 \times (1 - 0.2) \times (78 - 80)]$$

Sensible Cooling Capacity = 30,924 BTUH [9.1 kW]

3. DETERMINE BLOWER SPEED AND BHP TO MEET SYSTEM DESIGN.

Total ESP (external static pressure) per the spec of 0.6 in WG [.15 kPa] includes the system duct and grilles. Add from the table “Component Air Resistance,” 0.13 in. WG [0.04 kPa] for wet coil. Using the “Airflow Performance Table”, at the specified 1,600 CFM and 0.7 in. WG [0.17 kPa] ESP, determine blower wattage.

CFM = 1564
Watts = 440
Tap = 5

3. CALCULATE INDOOR BLOWER BTUH HEAT EFFECT FROM MOTOR BHP IN STEP 3.

Assuming an average of 85% motor efficiency, determine the amount of heat generated by the blower motor at the specified CFM and ESP by dividing the watts used by the motor efficiency and solving for the difference. Convert this value from watts to BTUH, multiplying by 3.41 BTUH/Watt

Watts = 440

Avg. Motor Efficiency = 85%

$$\text{Indoor Blower Motor Heat} = \left[\left(\frac{\text{Watts}}{0.85} \right) - \text{Watts} \right] \times 3.41$$

$$= [(440/0.85) - 440] \times 3.41 = 77.6 \text{ BTUH [0.02 kW]}$$

5. CALCULATE THE NET COOLING CAPACITIES

Net cooling capacities can be calculated by subtracting the motor heat from the gross cooling capacities.

Net Total Capacity = Gross Total Capacity – Indoor Blower Motor Heat

$$= 46,170 - 77 = 46,093 \text{ BTUH [13.5 kW]}$$

Net Sensible Capacity = Gross Sensible Capacity – Indoor Blower Motor Heat

$$= 30,924 - 77 = 30,847 \text{ BTUH [9.0 kW]}$$

6. SELECT UNIT HEATING CAPACITY

From “Heater Kit” Table, select kW to meet heating capacity requirement; multiply kW by 3412 to convert to BTUH.

Use 10 kW Heater Kit

Heater Kit Model:	Heater Kit Capacity:
RXJDC10CP	34,120 BTUH [10 kW]

Add Indoor Blower Motor Heat (step 4) to Heater Kit Capacity to get net total heating capacity:

$$34,120 + 77 = 34,197 \text{ BTUH [10.0 kW]}$$

7. CHOOSE MODEL RACCZR048ACT

[] Designates Metric Conversions

NOM. SIZES 3-6 TONS [10.6-21.1 kW] ASHRAE 90.1 2019 COMPLIANT MODELS

Model RACCZR Series	036ACT	036ACU	036ADT	036ADU
Cooling Performance^A				CONTINUED →
Gross Cooling Capacity Btu [kW]	36,000 [10.55]	36,000 [10.55]	36,000 [10.55]	36,000 [10.55]
EER/EER2	11.2/10.6	11.2/10.6	11.2/10.6	11.2/10.6
SEER/SEER2 ^B	14/13.4	14/13.4	14/13.4	14/13.4
Nominal CFM/AHRI Rated CFM [L/s]	1200 [566]	1200 [566]	1200 [566]	1200 [566]
AHRI Rated CFM (SEER/SEER2) [L/s]	1300/1025 [613/483]	1300/1025 [613/483]	1300/1025 [613/483]	1300/1025 [613/483]
AHRI Net Cooling Capacity Btu (SEER/SEER2) [kW]	35,400/34,200 [10.37/10.02]	35,400/34,200 [10.37/10.02]	35,400/34,200 [10.37/10.02]	35,400/34,200 [10.37/10.02]
Net Sensible Capacity Btu (SEER/SEER2) [kW]	27,000/23,940 [7.91/7.01]	27,000/23,940 [7.91/7.01]	27,000/23,940 [7.91/7.01]	27,000/23,940 [7.91/7.01]
Net Latent Capacity Btu (SEER/SEER2) [kW]	8,400/10,260 [2.46/3.00]	8,400/10,260 [2.46/3.00]	8,400/10,260 [2.46/3.00]	8,400/10,260 [2.46/3.00]
Net System Power kW (SEER/SEER2)	3.16/3.22	3.16/3.22	3.16/3.22	3.16/3.22
Compressor				
No./Type	1/Scroll	1/Scroll	1/Scroll	1/Scroll
No./Stages	1	1	1	1
Outdoor Coil - Fin Type	Louvered	Louvered	Louvered	Louvered
Tube Type	MicroChannel	MicroChannel	MicroChannel	MicroChannel
MicroChannel Depth in. [mm]	0.71 [18]	0.71 [18]	0.71 [18]	0.71 [18]
Face Area sq. ft. [sq. m]	16.48 [1.53]	16.48 [1.53]	16.48 [1.53]	16.48 [1.53]
Rows / FPI [FPcm]	1 / 23 [9]	1 / 23 [9]	1 / 23 [9]	1 / 23 [9]
Indoor Coil - Fin Type	Louvered	Louvered	Louvered	Louvered
Tube Type	MicroChannel	MicroChannel	MicroChannel	MicroChannel
MicroChannel Depth in. [mm]	1 [25.4]	1 [25.4]	1 [25.4]	1 [25.4]
Face Area sq. ft. [sq. m]	7.52 [0.7]	7.52 [0.7]	7.52 [0.7]	7.52 [0.7]
Rows / FPI [FPcm]	1 / 20 [8]	1 / 20 [8]	1 / 20 [8]	1 / 20 [8]
Refrigerant Control	TX Valves	TX Valves	TX Valves	TX Valves
Drain Connection No./Size in. [mm]	1/0.75 [19.05]	1/0.75 [19.05]	1/0.75 [19.05]	1/0.75 [19.05]
Outdoor Fan - Type	Propeller	Propeller	Propeller	Propeller
No. Used/Diameter in. [mm]	1/26 [660.4]	1/26 [660.4]	1/26 [660.4]	1/26 [660.4]
Drive Type/No. Speeds	Direct/1	Direct/1	Direct/1	Direct/1
CFM [L/s]	4600 [2171]	4600 [2171]	4600 [2171]	4600 [2171]
No. Motors/HP	1 at 1/5 HP	1 at 1/5 HP	1 at 1/5 HP	1 at 1/5 HP
Motor RPM	820	820	820	820
Indoor Fan - Type	FC Centrifugal	FC Centrifugal	FC Centrifugal	FC Centrifugal
No. Used/Diameter in. [mm]	1/11x11 [279x279]	1/11x11 [279x279]	1/11x11 [279x279]	1/11x11 [279x279]
Drive Type	Direct	Direct	Direct	Direct
No. Speeds	Multiple	Multiple	Multiple	Multiple
No. Motors	1	1	1	1
Motor HP	3/4	1 1/2	3/4	1
Motor RPM	1050	1400	1050	1050
Motor Frame Size	48	48	48	48
Filter - Type	Disposable	Disposable	Disposable	Disposable
Furnished	Yes	Yes	Yes	Yes
(NO.) Size Recommended in. [mm x mm x mm]	(4)2x16x16 [51x406x406]	(4)2x16x16 [51x406x406]	(4)2x16x16 [51x406x406]	(4)2x16x16 [51x406x406]
Refrigerant Charge Oz. [g]	69 [1956]	69 [1956]	69 [1956]	69 [1956]
Weights				
Net Weight lbs. [kg]	557 [253]	557 [253]	557 [253]	557 [253]
Ship Weight lbs. [kg]	595 [270]	595 [270]	595 [270]	595 [270]

[] Designates Metric Conversions

NOTES:

A. Cooling Performance is rated at 95° F ambient, 80° F entering dry bulb, 67° F entering wet bulb. Gross capacity does not include the effect of fan motor heat. AHRI capacity is net and includes the effect of fan motor heat. Units are suitable for operation to 620% of nominal cfm. Units are certified in accordance with the Unitary Air Conditioner Equipment certification program, which is based on AHRI Standard 210/240.

B. EER and/or SEER are rated at AHRI conditions and in accordance with DOE test procedures.

NOM. SIZES 3-6 TONS [10.6-21.1 kW] ASHRAE 90.1 2019 COMPLIANT MODELS

Model RACCZR Series	036AJT	036AJU	036AYT	036AYU
Cooling Performance^A				CONTINUED →
Gross Cooling Capacity Btu [kW]	36,000 [10.55]	36,000 [10.55]	36,000 [10.55]	36,000 [10.55]
EER/EER2	11.2/10.6	11.2/10.6	11.2/10.6	11.2/10.6
SEER/SEER2 ^B	14/13.4	14/13.4	14/13.4	14/13.4
Nominal CFM/AHRI Rated CFM [L/s]	1200 [566]	1200 [566]	1200 [566]	1200 [566]
AHRI Rated CFM (SEER/SEER2) [L/s]	1300/1025 [613/483]	1300/1025 [613/483]	1300/1025 [613/483]	1300/1025 [613/483]
AHRI Net Cooling Capacity Btu (SEER/SEER2) [kW]	35,400/34,200 [10.37/10.02]	35,400/34,200 [10.37/10.02]	35,400/34,200 [10.37/10.02]	35,400/34,200 [10.37/10.02]
Net Sensible Capacity Btu (SEER/SEER2) [kW]	27,000/23,940 [7.91/7.01]	27,000/23,940 [7.91/7.01]	27,000/23,940 [7.91/7.01]	27,000/23,940 [7.91/7.01]
Net Latent Capacity Btu (SEER/SEER2) [kW]	8,400/10,260 [2.46/3.00]	8,400/10,260 [2.46/3.00]	8,400/10,260 [2.46/3.00]	8,400/10,260 [2.46/3.00]
Net System Power kW (SEER/SEER2)	3.16/3.22	3.16/3.22	3.16/3.22	3.16/3.22
Compressor				
No./Type	1/Scroll	1/Scroll	1/Scroll	1/Scroll
No./Stages	1	1	1	1
Outdoor Coil - Fin Type	Louvered	Louvered	Louvered	Louvered
Tube Type	MicroChannel	MicroChannel	MicroChannel	MicroChannel
MicroChannel Depth in. [mm]	0.71 [18]	0.71 [18]	0.71 [18]	0.71 [18]
Face Area sq. ft. [sq. m]	16.48 [1.53]	16.48 [1.53]	16.48 [1.53]	16.48 [1.53]
Rows / FPI [FPcm]	1 / 23 [9]	1 / 23 [9]	1 / 23 [9]	1 / 23 [9]
Indoor Coil - Fin Type	Louvered	Louvered	Louvered	Louvered
Tube Type	MicroChannel	MicroChannel	MicroChannel	MicroChannel
MicroChannel Depth in. [mm]	1 [25.4]	1 [25.4]	1 [25.4]	1 [25.4]
Face Area sq. ft. [sq. m]	7.52 [0.7]	7.52 [0.7]	7.52 [0.7]	7.52 [0.7]
Rows / FPI [FPcm]	1 / 20 [8]	1 / 20 [8]	1 / 20 [8]	1 / 20 [8]
Refrigerant Control	TX Valves	TX Valves	TX Valves	TX Valves
Drain Connection No./Size in. [mm]	1/0.75 [19.05]	1/0.75 [19.05]	1/0.75 [19.05]	1/0.75 [19.05]
Outdoor Fan - Type	Propeller	Propeller	Propeller	Propeller
No. Used/Diameter in. [mm]	1/26 [660.4]	1/26 [660.4]	1/26 [660.4]	1/26 [660.4]
Drive Type/No. Speeds	Direct/1	Direct/1	Direct/1	Direct/1
CFM [L/s]	4600 [2171]	4600 [2171]	4600 [2171]	4600 [2171]
No. Motors/HP	1 at 1/5 HP	1 at 1/5 HP	1 at 1/5 HP	1 at 1/5 HP
Motor RPM	820	820	820	820
Indoor Fan - Type	FC Centrifugal	FC Centrifugal	FC Centrifugal	FC Centrifugal
No. Used/Diameter in. [mm]	1/11x11 [279x279]	1/11x11 [279x279]	1/11x11 [279x279]	1/11x11 [279x279]
Drive Type	Direct	Direct	Direct	Direct
No. Speeds	Multiple	Multiple	Multiple	Multiple
No. Motors	1	1	1	1
Motor HP	3/4	1 1/2	3/4	1 1/2
Motor RPM	1050	1400	1050	1400
Motor Frame Size	48	48	48	48
Filter - Type	Disposable	Disposable	Disposable	Disposable
Furnished	Yes	Yes	Yes	Yes
(NO.) Size Recommended in. [mm x mm x mm]	(4)2x20x20 [51x508x508]	(4)2x20x20 [51x508x508]	(4)2x16x16 [51x406x406]	(4)2x16x16 [51x406x406]
Refrigerant Charge Oz. [g]	69 [1956]	69 [1956]	69 [1956]	69 [1956]
Weights				
Net Weight lbs. [kg]	557 [253]	557 [253]	557 [253]	557 [253]
Ship Weight lbs. [kg]	595 [270]	595 [270]	595 [270]	595 [270]

[] Designates Metric Conversions

NOTES:

A. Cooling Performance is rated at 95° F ambient, 80° F entering dry bulb, 67° F entering wet bulb. Gross capacity does not include the effect of fan motor heat. AHRI capacity is net and includes the effect of fan motor heat. Units are suitable for operation to 620% of nominal cfm. Units are certified in accordance with the Unitary Air Conditioner Equipment certification program, which is based on AHRI Standard 210/240.

B. EER and/or SEER are rated at AHRI conditions and in accordance with DOE test procedures.

NOM. SIZES 3-6 TONS [10.6-21.1 kW] ASHRAE 90.1 2019 COMPLIANT MODELS

Model RACCZR Series	048ACT	048ACU	048ADT	048ADU
Cooling Performance^A				CONTINUED →
Gross Cooling Capacity Btu [kW]	49,000 [14.36]	49,000 [14.36]	49,000 [14.36]	49,000 [14.36]
EER/EER2	11.2/10.6	11.2/10.6	11.2/10.6	11.2/10.6
SEER/SEER2 ^B	14/13.4	14/13.4	14/13.4	14/13.4
Nominal CFM/AHRI Rated CFM [L/s]	1600 [755]	1600 [755]	1600 [755]	1600 [755]
AHRI Rated CFM (SEER/SEER2) [L/s]	1730/1460 [816/689]	1730/1460 [816/689]	1730/1460 [816/689]	1730/1460 [816/689]
AHRI Net Cooling Capacity Btu (SEER/SEER2) [kW]	47,500/45,000 [13.92/13.19]	47,500/45,000 [13.92/13.19]	47,500/45,000 [13.92/13.19]	47,500/45,000 [13.92/13.19]
Net Sensible Capacity Btu (SEER/SEER2) [kW]	35,100/31,600 [10.28/9.26]	35,100/31,600 [10.28/9.26]	35,100/31,600 [10.28/9.26]	35,100/31,600 [10.28/9.26]
Net Latent Capacity Btu (SEER/SEER2) [kW]	12,400/13,400 [3.63/3.93]	12,400/13,400 [3.63/3.93]	12,400/13,400 [3.63/3.93]	12,400/13,400 [3.63/3.93]
Net System Power kW (SEER/SEER2)	4.24/4.24	4.24/4.24	4.24/4.24	4.24/4.24
Compressor				
No./Type	1/Scroll	1/Scroll	1/Scroll	1/Scroll
No./Stages	1	1	1	1
Outdoor Coil - Fin Type	Louvered	Louvered	Louvered	Louvered
Tube Type	MicroChannel	MicroChannel	MicroChannel	MicroChannel
MicroChannel Depth in. [mm]	0.71 [18]	0.71 [18]	0.71 [18]	0.71 [18]
Face Area sq. ft. [sq. m]	16.52 [1.53]	16.52 [1.53]	16.52 [1.53]	16.52 [1.53]
Rows / FPI [FPcm]	1 / 23 [9]	1 / 23 [9]	1 / 23 [9]	1 / 23 [9]
Indoor Coil - Fin Type	Louvered	Louvered	Louvered	Louvered
Tube Type	MicroChannel	MicroChannel	MicroChannel	MicroChannel
MicroChannel Depth in. [mm]	1.26 [32]	1.26 [32]	1.26 [32]	1.26 [32]
Face Area sq. ft. [sq. m]	7.52 [0.7]	7.52 [0.7]	7.52 [0.7]	7.52 [0.7]
Rows / FPI [FPcm]	1 / 20 [8]	1 / 20 [8]	1 / 20 [8]	1 / 20 [8]
Refrigerant Control	TX Valves	TX Valves	TX Valves	TX Valves
Drain Connection No./Size in. [mm]	1/0.75 [19.05]	1/0.75 [19.05]	1/0.75 [19.05]	1/0.75 [19.05]
Outdoor Fan - Type	Propeller	Propeller	Propeller	Propeller
No. Used/Diameter in. [mm]	1/26 [660.4]	1/26 [660.4]	1/26 [660.4]	1/26 [660.4]
Drive Type/No. Speeds	Direct/1	Direct/1	Direct/1	Direct/1
CFM [L/s]	5900 [2784]	5900 [2784]	5900 [2784]	5900 [2784]
No. Motors/HP	1 at 1/2 HP	1 at 1/2 HP	1 at 1/2 HP	1 at 1/2 HP
Motor RPM	1075	1075	1075	1075
Indoor Fan - Type	FC Centrifugal	FC Centrifugal	FC Centrifugal	FC Centrifugal
No. Used/Diameter in. [mm]	1/11x11 [279x279]	1/11x11 [279x279]	1/11x11 [279x279]	1/11x11 [279x279]
Drive Type	Direct	Direct	Direct	Direct
No. Speeds	Multiple	Multiple	Multiple	Multiple
No. Motors	1	1	1	1
Motor HP	3/4	1 1/2	3/4	1
Motor RPM	1050	1400	1050	1050
Motor Frame Size	48	48	48	48
Filter - Type	Disposable	Disposable	Disposable	Disposable
Furnished	Yes	Yes	Yes	Yes
(NO.) Size Recommended in. [mm x mm x mm]	(4)2x16x16 [51x406x406]	(4)2x16x16 [51x406x406]	(4)2x16x16 [51x406x406]	(4)2x16x16 [51x406x406]
Refrigerant Charge Oz. [g]	86 [2438]	86 [2438]	86 [2438]	86 [2438]
Weights				
Net Weight lbs. [kg]	580 [263]	580 [263]	580 [263]	580 [263]
Ship Weight lbs. [kg]	618 [280]	618 [280]	618 [280]	618 [280]

[] Designates Metric Conversions

NOTES:

A. Cooling Performance is rated at 95° F ambient, 80° F entering dry bulb, 67° F entering wet bulb. Gross capacity does not include the effect of fan motor heat. AHRI capacity is net and includes the effect of fan motor heat. Units are suitable for operation to 620% of nominal cfm. Units are certified in accordance with the Unitary Air Conditioner Equipment certification program, which is based on AHRI Standard 210/240.

B. EER and/or SEER are rated at AHRI conditions and in accordance with DOE test procedures.

NOM. SIZES 3-6 TONS [10.6-21.1 kW] ASHRAE 90.1 2019 COMPLIANT MODELS

Model RACCZR Series	048AJT	048AJU	048AYT	048AYU
Cooling Performance^A				CONTINUED →
Gross Cooling Capacity Btu [kW]	49,000 [14.36]	49,000 [14.36]	49,000 [14.36]	49,000 [14.36]
EER/EER2	11.2/10.6	11.2/10.6	11.2/10.6	11.2/10.6
SEER/SEER2 ^B	14/13.4	14/13.4	14/13.4	14/13.4
Nominal CFM/AHRI Rated CFM [L/s]	1600 [755]	1600 [755]	1600 [755]	1600 [755]
AHRI Rated CFM (SEER/SEER2) [L/s]	1730/1460 [816/689]	1730/1460 [816/689]	1730/1460 [816/689]	1730/1460 [816/689]
AHRI Net Cooling Capacity Btu (SEER/SEER2) [kW]	47,500/45,000 [13.92/13.19]	47,500/45,000 [13.92/13.19]	47,500/45,000 [13.92/13.19]	47,500/45,000 [13.92/13.19]
Net Sensible Capacity Btu (SEER/SEER2) [kW]	35,100/31,600 [10.28/9.26]	35,100/31,600 [10.28/9.26]	35,100/31,600 [10.28/9.26]	35,100/31,600 [10.28/9.26]
Net Latent Capacity Btu (SEER/SEER2) [kW]	12,400/13,400 [3.63/3.93]	12,400/13,400 [3.63/3.93]	12,400/13,400 [3.63/3.93]	12,400/13,400 [3.63/3.93]
Net System Power kW (SEER/SEER2)	4.24/4.24	4.24/4.24	4.24/4.24	4.24/4.24
Compressor				
No./Type	1/Scroll	1/Scroll	1/Scroll	1/Scroll
No./Stages	1	1	1	1
Outdoor Coil - Fin Type	Louvered	Louvered	Louvered	Louvered
Tube Type	MicroChannel	MicroChannel	MicroChannel	MicroChannel
MicroChannel Depth in. [mm]	0.71 [18]	0.71 [18]	0.71 [18]	0.71 [18]
Face Area sq. ft. [sq. m]	16.52 [1.53]	16.52 [1.53]	16.52 [1.53]	16.52 [1.53]
Rows / FPI [FPcm]	1 / 23 [9]	1 / 23 [9]	1 / 23 [9]	1 / 23 [9]
Indoor Coil - Fin Type	Louvered	Louvered	Louvered	Louvered
Tube Type	MicroChannel	MicroChannel	MicroChannel	MicroChannel
MicroChannel Depth in. [mm]	1.26 [32]	1.26 [32]	1.26 [32]	1.26 [32]
Face Area sq. ft. [sq. m]	7.52 [0.7]	7.52 [0.7]	7.52 [0.7]	7.52 [0.7]
Rows / FPI [FPcm]	1 / 20 [8]	1 / 20 [8]	1 / 20 [8]	1 / 20 [8]
Refrigerant Control	TX Valves	TX Valves	TX Valves	TX Valves
Drain Connection No./Size in. [mm]	1/0.75 [19.05]	1/0.75 [19.05]	1/0.75 [19.05]	1/0.75 [19.05]
Outdoor Fan - Type	Propeller	Propeller	Propeller	Propeller
No. Used/Diameter in. [mm]	1/26 [660.4]	1/26 [660.4]	1/26 [660.4]	1/26 [660.4]
Drive Type/No. Speeds	Direct/1	Direct/1	Direct/1	Direct/1
CFM [L/s]	5900 [2784]	5900 [2784]	5900 [2784]	5900 [2784]
No. Motors/HP	1 at 1/2 HP	1 at 1/2 HP	1 at 1/2 HP	1 at 1/2 HP
Motor RPM	1075	1075	1075	1075
Indoor Fan - Type	FC Centrifugal	FC Centrifugal	FC Centrifugal	FC Centrifugal
No. Used/Diameter in. [mm]	1/11x11 [279x279]	1/11x11 [279x279]	1/11x11 [279x279]	1/11x11 [279x279]
Drive Type	Direct	Direct	Direct	Direct
No. Speeds	Multiple	Multiple	Multiple	Multiple
No. Motors	1	1	1	1
Motor HP	3/4	1.5	3/4	1 1/2
Motor RPM	1050	1400	1050	1400
Motor Frame Size	48	48	48	48
Filter - Type	Disposable	Disposable	Disposable	Disposable
Furnished	Yes	Yes	Yes	Yes
(NO.) Size Recommended in. [mm x mm x mm]	(4)2x16x16 [51x406x406]	(4)2x16x16 [51x406x406]	(4)2x16x16 [51x406x406]	(4)2x16x16 [51x406x406]
Refrigerant Charge Oz. [g]	86 [2438]	86 [2438]	86 [2438]	86 [2438]
Weights				
Net Weight lbs. [kg]	580 [263]	580 [263]	580 [263]	580 [263]
Ship Weight lbs. [kg]	618 [280]	618 [280]	618 [280]	618 [280]

[] Designates Metric Conversions

NOTES:

A. Cooling Performance is rated at 95° F ambient, 80° F entering dry bulb, 67° F entering wet bulb. Gross capacity does not include the effect of fan motor heat. AHRI capacity is net and includes the effect of fan motor heat. Units are suitable for operation to 620% of nominal cfm. Units are certified in accordance with the Unitary Air Conditioner Equipment certification program, which is based on AHRI Standard 210/240.

B. EER and/or SEER are rated at AHRI conditions and in accordance with DOE test procedures.

NOM. SIZES 3-6 TONS [10.6-21.1 kW] ASHRAE 90.1 2019 COMPLIANT MODELS

Model RACCZR Series	060ACT	060ACU	060ADT	060ADU
Cooling Performance^A				CONTINUED →
Gross Cooling Capacity Btu [kW]	59,500 [17.43]	59,500 [17.43]	59,500 [17.43]	59,500 [17.43]
EER/EER2	11.2/10.6	11.2/10.6	11.2/10.6	11.2/10.6
SEER/SEER2 ^B	14/13.4	14/13.4	14/13.4	14/13.4
Nominal CFM/AHRI Rated CFM [L/s]	2000 [944]	2000 [944]	2000 [944]	2000 [944]
AHRI Rated CFM (SEER/SEER2) [L/s]	1950/1700 [920/802]	1950/1700 [920/802]	1950/1700 [920/802]	1950/1700 [920/802]
AHRI Net Cooling Capacity Btu (SEER/SEER2) [kW]	57,500/56,500 [16.85/16.55]	57,500/56,500 [16.85/16.55]	57,500/56,500 [16.85/16.55]	57,500/56,500 [16.85/16.55]
Net Sensible Capacity Btu (SEER/SEER2) [kW]	41,000/38,850 [12.01/11.38]	41,000/38,850 [12.01/11.38]	41,000/38,850 [12.01/11.38]	41,000/38,850 [12.01/11.38]
Net Latent Capacity Btu (SEER/SEER2) [kW]	16,500/17,650 [4.83/5.17]	16,500/17,650 [4.83/5.17]	16,500/17,650 [4.83/5.17]	16,500/17,650 [4.83/5.17]
Net System Power kW (SEER/SEER2)	5.13/5.33	5.13/5.33	5.13/5.33	5.13/5.33
Compressor				
No./Type	1/Scroll	1/Scroll	1/Scroll	1/Scroll
No./Stages	1	1	1	1
Outdoor Coil - Fin Type	Louvered	Louvered	Louvered	Louvered
Tube Type	MicroChannel	MicroChannel	MicroChannel	MicroChannel
MicroChannel Depth in. [mm]	0.71 [18]	0.71 [18]	0.71 [18]	0.71 [18]
Face Area sq. ft. [sq. m]	16.52 [1.53]	16.52 [1.53]	16.52 [1.53]	16.52 [1.53]
Rows / FPI [FPcm]	1 / 23 [9]	1 / 23 [9]	1 / 23 [9]	1 / 23 [9]
Indoor Coil - Fin Type	Louvered	Louvered	Louvered	Louvered
Tube Type	MicroChannel	MicroChannel	MicroChannel	MicroChannel
MicroChannel Depth in. [mm]	1.26 [32]	1.26 [32]	1.26 [32]	1.26 [32]
Face Area sq. ft. [sq. m]	7.52 [0.7]	7.52 [0.7]	7.52 [0.7]	7.52 [0.7]
Rows / FPI [FPcm]	1 / 20 [8]	1 / 20 [8]	1 / 20 [8]	1 / 20 [8]
Refrigerant Control	TX Valves	TX Valves	TX Valves	TX Valves
Drain Connection No./Size in. [mm]	1/0.75 [19.05]	1/0.75 [19.05]	1/0.75 [19.05]	1/0.75 [19.05]
Outdoor Fan - Type	Propeller	Propeller	Propeller	Propeller
No. Used/Diameter in. [mm]	1/26 [660.4]	1/26 [660.4]	1/26 [660.4]	1/26 [660.4]
Drive Type/No. Speeds	Direct/1	Direct/1	Direct/1	Direct/1
CFM [L/s]	5900 [2784]	5900 [2784]	5900 [2784]	5900 [2784]
No. Motors/HP	1 at 1/2 HP	1 at 1/2 HP	1 at 1/2 HP	1 at 1/2 HP
Motor RPM	1075	1075	1075	1075
Indoor Fan - Type	FC Centrifugal	FC Centrifugal	FC Centrifugal	FC Centrifugal
No. Used/Diameter in. [mm]	1/11x11 [279x279]	1/11x11 [279x279]	1/11x11 [279x279]	1/11x11 [279x279]
Drive Type	Direct	Direct	Direct	Direct
No. Speeds	Multiple	Multiple	Multiple	Multiple
No. Motors	1	1	1	1
Motor HP	1	1 1/2	1	1.2
Motor RPM	1050	1400	1050	1300
Motor Frame Size	48	48	48	48
Filter - Type	Disposable	Disposable	Disposable	Disposable
Furnished	Yes	Yes	Yes	Yes
(NO.) Size Recommended in. [mm x mm x mm]	(4)2x16x16 [51x406x406]	(4)2x16x16 [51x406x406]	(4)2x16x16 [51x406x406]	(4)2x16x16 [51x406x406]
Refrigerant Charge Oz. [g]	82 [2324]	82 [2324]	82 [2324]	82 [2324]
Weights				
Net Weight lbs. [kg]	583 [264]	583 [264]	583 [264]	583 [264]
Ship Weight lbs. [kg]	621 [282]	621 [282]	621 [282]	621 [282]

[] Designates Metric Conversions

NOTES:

A. Cooling Performance is rated at 95° F ambient, 80° F entering dry bulb, 67° F entering wet bulb. Gross capacity does not include the effect of fan motor heat. AHRI capacity is net and includes the effect of fan motor heat. Units are suitable for operation to 620% of nominal cfm. Units are certified in accordance with the Unitary Air Conditioner Equipment certification program, which is based on AHRI Standard 210/240.

B. EER and/or SEER are rated at AHRI conditions and in accordance with DOE test procedures.

NOM. SIZES 3-6 TONS [10.6-21.1 kW] ASHRAE 90.1 2019 COMPLIANT MODELS

Model RACCZR Series	060AJT	060AJU	060AYT	060AYU
Cooling Performance^A				CONTINUED →
Gross Cooling Capacity Btu [kW]	59,500 [17.43]	59,500 [17.43]	59,500 [17.43]	59,500 [17.43]
EER/EER2	11.2/10.6	11.2/10.6	11.2/10.6	11.2/10.6
SEER/SEER2 ^B	14/13.4	14/13.4	14/13.4	14/13.4
Nominal CFM/AHRI Rated CFM [L/s]	2000 [944]	2000 [944]	2000 [944]	2000 [944]
AHRI Rated CFM (SEER/SEER2) [L/s]	1950/1700 [920/802]	1950/1700 [920/802]	1950/1700 [920/802]	1950/1700 [920/802]
AHRI Net Cooling Capacity Btu (SEER/SEER2) [kW]	57,500/56,500 [16.85/16.55]	57,500/56,500 [16.85/16.55]	57,500/56,500 [16.85/16.55]	57,500/56,500 [16.85/16.55]
Net Sensible Capacity Btu (SEER/SEER2) [kW]	41,000/38,850 [12.01/11.38]	41,000/38,850 [12.01/11.38]	41,000/38,850 [12.01/11.38]	41,000/38,850 [12.01/11.38]
Net Latent Capacity Btu (SEER/SEER2) [kW]	16,500/17,650 [4.83/5.17]	16,500/17,650 [4.83/5.17]	16,500/17,650 [4.83/5.17]	16,500/17,650 [4.83/5.17]
Net System Power kW (SEER/SEER2)	5.13/5.33	5.13/5.33	5.13/5.33	5.13/5.33
Compressor				
No./Type	1/Scroll	1/Scroll	1/Scroll	1/Scroll
No./Stages	1	1	1	1
Outdoor Coil - Fin Type	Louvered	Louvered	Louvered	Louvered
Tube Type	MicroChannel	MicroChannel	MicroChannel	MicroChannel
MicroChannel Depth in. [mm]	0.71 [18]	0.71 [18]	0.71 [18]	0.71 [18]
Face Area sq. ft. [sq. m]	16.52 [1.53]	16.52 [1.53]	16.52 [1.53]	16.52 [1.53]
Rows / FPI [FPcm]	1 / 23 [9]	1 / 23 [9]	1 / 23 [9]	1 / 23 [9]
Indoor Coil - Fin Type	Louvered	Louvered	Louvered	Louvered
Tube Type	MicroChannel	MicroChannel	MicroChannel	MicroChannel
MicroChannel Depth in. [mm]	1.26 [32]	1.26 [32]	1.26 [32]	1.26 [32]
Face Area sq. ft. [sq. m]	7.52 [0.7]	7.52 [0.7]	7.52 [0.7]	7.52 [0.7]
Rows / FPI [FPcm]	1 / 20 [8]	1 / 20 [8]	1 / 20 [8]	1 / 20 [8]
Refrigerant Control	TX Valves	TX Valves	TX Valves	TX Valves
Drain Connection No./Size in. [mm]	1/0.75 [19.05]	1/0.75 [19.05]	1/0.75 [19.05]	1/0.75 [19.05]
Outdoor Fan - Type	Propeller	Propeller	Propeller	Propeller
No. Used/Diameter in. [mm]	1/26 [660.4]	1/26 [660.4]	1/26 [660.4]	1/26 [660.4]
Drive Type/No. Speeds	Direct/1	Direct/1	Direct/1	Direct/1
CFM [L/s]	5900 [2784]	5900 [2784]	5900 [2784]	5900 [2784]
No. Motors/HP	1 at 1/2 HP	1 at 1/2 HP	1 at 1/2 HP	1 at 1/2 HP
Motor RPM	1075	1075	1075	1075
Indoor Fan - Type	FC Centrifugal	FC Centrifugal	FC Centrifugal	FC Centrifugal
No. Used/Diameter in. [mm]	1/11x11 [279x279]	1/11x11 [279x279]	1/11x11 [279x279]	1/11x11 [279x279]
Drive Type	Direct	Direct	Direct	Direct
No. Speeds	Multiple	Multiple	Multiple	Multiple
No. Motors	1	1	1	1
Motor HP	1	1 1/2	1	1 1/2
Motor RPM	1050	1400	1050	1400
Motor Frame Size	48	48	48	48
Filter - Type	Disposable	Disposable	Disposable	Disposable
Furnished	Yes	Yes	Yes	Yes
(NO.) Size Recommended in. [mm x mm x mm]	(4)2x16x16 [51x406x406]	(4)2x16x16 [51x406x406]	(4)2x16x16 [51x406x406]	(4)2x16x16 [51x406x406]
Refrigerant Charge Oz. [g]	82 [2324]	82 [2324]	82 [2324]	82 [2324]
Weights				
Net Weight lbs. [kg]	583 [264]	583 [264]	583 [264]	583 [264]
Ship Weight lbs. [kg]	621 [282]	621 [282]	621 [282]	621 [282]

[] Designates Metric Conversions

NOTES:

- A. Cooling Performance is rated at 95° F ambient, 80° F entering dry bulb, 67° F entering wet bulb. Gross capacity does not include the effect of fan motor heat. AHRI capacity is net and includes the effect of fan motor heat. Units are suitable for operation to 620% of nominal cfm. Units are certified in accordance with the Unitary Air Conditioner Equipment certification program, which is based on AHRI Standard 210/240.
- B. EER and/or SEER are rated at AHRI conditions and in accordance with DOE test procedures.
- C. Integrated Energy Efficiency Ratio (IEER) is rated in accordance with AHRI Standard 340/360.
- D. Outdoor Sound Rating shown is tested in accordance with AHRI Standard 270.

NOM. SIZES 3-5 TONS [10.6-17.58 kW] ASHRAE 90.1 2019 COMPLIANT MODELS

Model RACCZT Series	036	048	060
Cooling Performance^A			CONTINUED →
Gross Cooling Capacity Btu [kW]	39,500/35,400 [11.57/10.37]	50,000/49,500 [14.65/14.5]	61,000/59,500 [17.87/17.43]
EER/EER2	12.5/12	12.5/12	12.5/12
SEER/SEER2 ^B	17/16.2	17/16.2	17/16.2
Nominal CFM	1200 [566]	1600 [755]	2000 [944]
AHRI Rated CFM (SEER/SEER2) [L/s]	1260/1055 [595/498]	1570/1420 [741/670]	1815/1615 [856/762]
AHRI Net Cooling Capacity Btu (SEER/SEER2) [kW]	38,500/34,800 [11.28/10.2]	48,500/48,000 [14.21/14.06]	59,000/57,500 [17.29/16.85]
Net Sensible Capacity Btu (SEER/SEER2) [kW]	27,500/24,200 [8.06/7.09]	34,500/33,000 [10.11/9.67]	42,000/40,000 [12.31,11.72]
Net Latent Capacity Btu (SEER/SEER2) [kW]	11,000/10,600 [3.22/3.11]	14,000/15,000 [4.1/4.39]	17,000/17,500 [4.98,5.13]
Net System Power kW (SEER/SEER2)	2.60/2.64	3.67/3.7	4.6/4.62
Compressor			
No./Type	1/Scroll	1/Scroll	1/Scroll
No./Stages	2	2	2
Outdoor Sound Rating (dB)^C	79	83	86
Outdoor Coil - Fin Type	Louvered	Louvered	Louvered
Tube Type	MicroChannel	MicroChannel	MicroChannel
MicroChannel Depth in. [mm]	0.71 [18]	0.71 [18]	0.71 [18]
Face Area sq. ft. [sq. m]	16.72 [1.55]	16.72 [1.55]	16.66 [1.55]
Rows / FPI [FPcm]	1 / 23 [9]	1 / 23 [9]	1 / 23 [9]
Indoor Coil - Fin Type	Louvered	Louvered	Louvered
Tube Type	MicroChannel	MicroChannel	MicroChannel
MicroChannel Depth in. [mm]	1 [25.4]	1.26 [32]	1.26 [32]
Face Area sq. ft. [sq. m]	7.49 [0.69]	7.49 [0.69]	7.47 [0.69]
Rows / FPI [FPcm]	1 / 20 [8]	1 / 20 [8]	1 / 20 [8]
Refrigerant Control	TX Valves	TX Valves	TX Valves
Drain Connection No./Size in. [mm]	1/0.75 [19.05]	1/0.75 [19.05]	1/0.75 [19.05]
Outdoor Fan - Type	Propeller	Propeller	Propeller
No. Used/Diameter in. [mm]	1/26 [660.4]	1/26 [660.4]	1/26 [660.4]
Drive Type/No. Speeds	Direct/2	Direct/2	Direct/2
CFM [L/s]	4850 [2289]	5900 [2784]	5900 [2784]
No. Motors/HP	1 at 1/3 HP	1 at 1/2 HP	1 at 1/2 HP
Motor RPM	800/440	900/800	900/800
Indoor Fan - Type	FC Centrifugal	FC Centrifugal	FC Centrifugal
No. Used/Diameter in. [mm]	1/11x11 [279x279]	1/11x11 [279x279]	1/11x11 [279x279]
Drive Type	Direct	Direct	Direct
No. Speeds	Multiple	Multiple	Multiple
No. Motors	1	1	1
Motor HP (See Airflow Tables)	Varies	Varies	Varies
Filter - Type	Disposable	Disposable	Disposable
Furnished	Yes	Yes	Yes
(NO.) Size Recommended in. [mm x mm x mm]	(4)2x16x16 [51x406x406]	(4)2x16x16 [51x406x406]	(4)2x16x16 [51x406x406]
Refrigerant Charge Oz. [g]	76.8 [2177]	82.4 [2336]	90 [2552]
Weights			
Net Weight lbs. [kg]	561 [254]	580 [263]	583 [264]
Ship Weight lbs. [kg]	599 [272]	618 [280]	621 [282]

[] Designates Metric Conversions

NOTES:

- A. Cooling Performance is rated at 95° F ambient, 80° F entering dry bulb, 67° F entering wet bulb. Gross capacity does not include the effect of fan motor heat. AHRI capacity is net and includes the effect of fan motor heat. Units are suitable for operation to 620% of nominal cfm. Units are certified in accordance with the Unitary Air Conditioner Equipment certification program, which is based on AHRI Standard 210/240.
- B. EER and/or SEER are rated at AHRI conditions and in accordance with DOE test procedures.
- C. Integrated Energy Efficiency Ratio (IEER) is rated in accordance with AHRI Standard 340/360.
- D. Outdoor Sound Rating shown is tested in accordance with AHRI Standard 270.

NOM. SIZES 3-6 TONS [10.6-21.1 kW] ASHRAE 90.1 2019 COMPLIANT MODELS

Model RACCZT Series	072ACT	072ACU	072ADT	072ADU
Cooling Performance^A				CONTINUED →
Gross Cooling Capacity Btu [kW]	70,000 [20.51]	70,000 [20.51]	70,000 [20.51]	70,000 [20.51]
EER/EER2	11.2/10.6	11.2/10.6	11.2/10.6	11.2/10.6
IEER ^B	14.8	14.8	14.8	14.8
Nominal CFM/AHRI Rated CFM [L/s]	2400 [1133]	2400 [1133]	2400 [1133]	2400 [1133]
AHRI Rated CFM [L/s]	2400 [1133]	2400 [1133]	2400 [1133]	2400 [1133]
AHRI Net Cooling Capacity Btu [kW]	68000 [19.93]	68000 [19.93]	68000 [19.93]	68000 [19.93]
Net Sensible Capacity Btu [kW]	50199.9 [14.71]	50199.9 [14.71]	50199.9 [14.71]	50199.9 [14.71]
Net Latent Capacity Btu [kW]	17800.1 [5.22]	17800.1 [5.22]	17800.1 [5.22]	17800.1 [5.22]
Net System Power kW	6.07	6.07	6.07	6.07
Compressor				
No./Type	1/Scroll	1/Scroll	1/Scroll	1/Scroll
No./Stages	2	2	2	2
Outdoor Sound Rating (dB)^C	88	88	88	88
Outdoor Coil - Fin Type	Louvered	Louvered	Louvered	Louvered
Tube Type	MicroChannel	MicroChannel	MicroChannel	MicroChannel
MicroChannel Depth in. [mm]	1 [25.4]	1 [25.4]	1 [25.4]	1 [25.4]
Face Area sq. ft. [sq. m]	16.52 [1.53]	16.52 [1.53]	16.52 [1.53]	16.52 [1.53]
Rows / FPI [FPcm]	1 / 23 [9]	1 / 23 [9]	1 / 23 [9]	1 / 23 [9]
Indoor Coil - Fin Type	Louvered	Louvered	Louvered	Louvered
Tube Type	MicroChannel	MicroChannel	MicroChannel	MicroChannel
MicroChannel Depth in. [mm]	1 [32]	1 [32]	1 [32]	1 [32]
Face Area sq. ft. [sq. m]	7.52 [0.7]	7.52 [0.7]	7.52 [0.7]	7.52 [0.7]
Rows / FPI [FPcm]	1 / 20 [8]	1 / 20 [8]	1 / 20 [8]	1 / 20 [8]
Refrigerant Control	TX Valves	TX Valves	TX Valves	TX Valves
Drain Connection No./Size in. [mm]	1/0.75 [19.05]	1/0.75 [19.05]	1/0.75 [19.05]	1/0.75 [19.05]
Outdoor Fan - Type	Propeller	Propeller	Propeller	Propeller
No. Used/Diameter in. [mm]	1/26 [660.4]	1/26 [660.4]	1/26 [660.4]	1/26 [660.4]
Drive Type/No. Speeds	Direct/1	Direct/1	Direct/1	Direct/1
CFM [L/s]	5900 [2784]	5900 [2784]	5900 [2784]	5900 [2784]
No. Motors/HP	1 at 3/4 HP	1 at 3/4 HP	1 at 3/4 HP	1 at 3/4 HP
Motor RPM	1100	1100	1100	1100
Indoor Fan - Type	FC Centrifugal	FC Centrifugal	FC Centrifugal	FC Centrifugal
No. Used/Diameter in. [mm]	1/11x11 [279x279]	1/11x11 [279x279]	1/11x11 [279x279]	1/11x11 [279x279]
Drive Type	Direct	Direct	Direct	Direct
No. Speeds	Multiple	Multiple	Multiple	Multiple
No. Motors	1	1	1	1
Motor HP	1 1/5	1 1/5	1 1/5	1 1/5
Motor RPM	1300	1300	1300	1300
Motor Frame Size	48	48	48	48
Filter - Type	Disposable	Disposable	Disposable	Disposable
Furnished	Yes	Yes	Yes	Yes
(NO.) Size Recommended in. [mm x mm x mm]	(4)2x16x16 [51x406x406]	(4)2x16x16 [51x406x406]	(4)2x16x16 [51x406x406]	(4)2x16x16 [51x406x406]
Refrigerant Charge Oz. [g]	105.6[2994]	105.6[2994]	105.6[2994]	105.6[2994]
Weights				
Net Weight lbs. [kg]	582 [264]	582 [264]	582 [264]	582 [264]
Ship Weight lbs. [kg]	620 [281]	620 [281]	620 [281]	620 [281]

[] Designates Metric Conversions

NOTES:

- A. Cooling Performance is rated at 95° F ambient, 80° F entering dry bulb, 67° F entering wet bulb. Gross capacity does not include the effect of fan motor heat. AHRI capacity is net and includes the effect of fan motor heat. Units are suitable for operation to 620% of nominal cfm. Units are certified in accordance with the Unitary Air Conditioner Equipment certification program, which is based on AHRI Standard 210/240.
- B. EER and/or SEER are rated at AHRI conditions and in accordance with DOE test procedures.
- C. Integrated Energy Efficiency Ratio (IEER) is rated in accordance with AHRI Standard 340/360.
- D. Outdoor Sound Rating shown is tested in accordance with AHRI Standard 270.

NOM. SIZES 3-6 TONS [10.6-21.1 kW] ASHRAE 90.1 2019 COMPLIANT MODELS

Model RACCZT Series	072AYT	072AYU
Cooling Performance^A		
Gross Cooling Capacity Btu [kW]	70,000 [20.51]	70,000 [20.51]
EER/EER2	11.2/10.6	11.2/10.6
IEER ^B	14.8	14.8
Nominal CFM/AHRI Rated CFM [L/s]	2400 [1133]	2400 [1133]
AHRI Rated CFM [L/s]	2400 [1133]	2400 [1133]
AHRI Net Cooling Capacity Btu [kW]	68000 [19.93]	68000 [19.93]
Net Sensible Capacity Btu [kW]	50199.9 [14.71]	50199.9 [14.71]
Net Latent Capacity Btu [kW]	17800.1 [5.22]	17800.1 [5.22]
Net System Power kW	6.07	6.07
Compressor		
No./Type	1/Scroll	1/Scroll
No./Stages	2	2
Outdoor Sound Rating (dB)^C		
	88	88
Outdoor Coil - Fin Type		
Tube Type	Louvered	Louvered
MicroChannel Depth in. [mm]	MicroChannel	MicroChannel
Face Area sq. ft. [sq. m]	1 [25.4]	1 [25.4]
Rows / FPI [FPcm]	16.52 [1.53]	16.52 [1.53]
	1 / 23 [9]	1 / 23 [9]
Indoor Coil - Fin Type		
Tube Type	Louvered	Louvered
MicroChannel Depth in. [mm]	MicroChannel	MicroChannel
Face Area sq. ft. [sq. m]	1 [32]	1 [32]
Rows / FPI [FPcm]	7.52 [0.7]	7.52 [0.7]
	1 / 20 [8]	1 / 20 [8]
Refrigerant Control	TX Valves	TX Valves
Drain Connection No./Size in. [mm]	TX Valves	TX Valves
	1/0.75 [19.05]	1/0.75 [19.05]
Outdoor Fan - Type		
Tube Type	Propeller	Propeller
MicroChannel Depth in. [mm]	1/26 [660.4]	1/26 [660.4]
Face Area sq. ft. [sq. m]	Direct/1	Direct/1
Rows / FPI [FPcm]	5900 [2784]	5900 [2784]
	1 at 3/4 HP	1 at 3/4 HP
Refrigerant Control	1100	1100
Drain Connection No./Size in. [mm]	FC Centrifugal	FC Centrifugal
	1/11x11 [279x279]	1/11x11 [279x279]
Tube Type	Direct	Direct
MicroChannel Depth in. [mm]	Multiple	Multiple
Face Area sq. ft. [sq. m]	1	1
Rows / FPI [FPcm]	1 1/5	1 1/5
	1300	1300
Refrigerant Control	48	48
Drain Connection No./Size in. [mm]	Disposable	Disposable
	Yes	Yes
(NO.) Size Recommended in. [mm x mm x mm]	(4)2x16x16 [51x406x406]	(4)2x16x16 [51x406x406]
Refrigerant Charge Oz. [g]		
	105.6[2994]	105.6[2994]
Weights		
Net Weight lbs. [kg]	582 [264]	582 [264]
Ship Weight lbs. [kg]	620 [281]	620 [281]

[] Designates Metric Conversions

NOTES:

A. Cooling Performance is rated at 95° F ambient, 80° F entering dry bulb, 67° F entering wet bulb. Gross capacity does not include the effect of fan motor heat. AHRI capacity is net and includes the effect of fan motor heat. Units are suitable for operation to ±20% of nominal cfm. Units are certified in accordance with the Unitary Air Conditioner Equipment certification program, which is based on AHRI Standard 210/240.

B. EER and/or SEER are rated at AHRI conditions and in accordance with DOE test procedures.

C. Integrated Energy Efficiency Ratio (IEER) is rated in accordance with AHRI Standard 340/360.

D. Outdoor Sound Rating shown is tested in accordance with AHRI Standard 270.

WEIGHTED SOUND POWER LEVEL (dBA)

Unit Size – Series	Standard Rating (dBA)	TYPICAL OCTAVE BAND SPECTRUM (dBA without tone adjustment)							
		63	125	250	500	1000	2000	4000	8000
RACCZR036	78.6	46.2	64.4	63.8	68.4	69.1	66.2	61.4	56.7
RACCZR048	83.8	54.2	62.7	75.7	72.6	72.9	70.4	66.5	61.0
RACCZR060	83.3	55.0	61.7	71.6	72.4	73.1	70.5	66.4	62.5
RACCZT036	79.0	50.0	62.6	65.2	68.9	69.5	65.5	61.6	56.4
RACCZT048	83.0	49.0	63.2	69.2	72.8	72.5	70.2	65.5	58.6
RACCZT060	86.0	62.0	64.9	73.6	76.2	76.3	72.4	67.9	60.9
RACCZT072	83.3	55.0	61.7	71.6	72.4	73.1	70.5	66.4	62.5

Outdoor Sound Rating shown is tested in accordance with AHRI Standard 270.

COOLING PERFORMANCE DATA – RACCZR036A

ENTERING INDOOR AIR @ 80°F [26.7°C] dbE ①	67°F [19.4°C]			63°F [17.2°C]			61°F [16.1°C]			59°F [15.0°C]		
	1350 [637]	1300 [614]	1050 [496]	1350 [637]	1300 [614]	1050 [496]	1350 [637]	1300 [614]	1050 [496]	1350 [637]	1300 [614]	1050 [496]
	0.21	0.2	0.15	0.21	0.2	0.15	0.21	0.2	0.15	0.21	0.2	0.15
75°F [23.9°C]	Total BTUH [kW]	43.5 [12.8]	43.2 [12.7]	41.7 [12.2]	40.4 [11.9]	38.8 [11.4]	38.4 [11.2]	38.1 [11.1]	36.8 [10.6]	37.8 [11.1]	37.6 [11.0]	36.2 [10.6]
	Sens BTUH [kW]	25.7 [7.5]	25.3 [7.4]	23.0 [6.7]	29.9 [8.8]	26.8 [7.8]	33.4 [9.8]	35.1 [10.3]	31.4 [9.2]	36.8 [10.8]	36.1 [10.6]	32.9 [9.6]
	Power	2.4	2.4	2.3	2.4	2.3	2.4	2.4	2.4	2.4	2.4	2.3
80°F [26.7°C]	Total BTUH [kW]	42.2 [12.4]	41.9 [12.3]	40.4 [11.8]	39.1 [11.5]	37.5 [11.0]	37.0 [10.8]	36.5 [10.7]	35.0 [10.2]	36.4 [10.7]	36.2 [10.6]	34.9 [10.2]
	Sens BTUH [kW]	25.0 [7.3]	24.5 [7.2]	22.3 [6.5]	29.2 [8.6]	26.1 [7.7]	32.7 [9.6]	34.4 [10.1]	30.7 [9.0]	36.0 [10.6]	35.4 [10.4]	32.2 [9.4]
	Power	2.5	2.5	2.4	2.5	2.4	2.5	2.5	2.4	2.5	2.5	2.4
85°F [29.4°C]	Total BTUH [kW]	40.8 [12.0]	40.6 [11.9]	39.1 [11.5]	37.8 [11.1]	36.2 [10.6]	35.7 [10.5]	35.2 [10.3]	33.7 [9.9]	35.1 [10.3]	34.8 [10.2]	33.6 [9.9]
	Sens BTUH [kW]	24.3 [7.1]	23.8 [7.0]	21.7 [6.4]	28.5 [8.3]	25.5 [7.5]	32.0 [9.4]	33.6 [9.9]	30.1 [8.8]	35.1 [10.3]	34.7 [10.2]	31.6 [9.3]
	Power	2.6	2.6	2.6	2.6	2.6	2.6	2.6	2.5	2.6	2.6	2.5
90°F [32.2°C]	Total BTUH [kW]	39.5 [11.6]	39.2 [11.5]	37.9 [11.1]	36.4 [10.7]	34.9 [10.2]	34.3 [10.1]	33.8 [9.9]	32.4 [9.5]	33.7 [9.9]	33.5 [9.8]	32.3 [9.5]
	Sens BTUH [kW]	23.6 [6.9]	23.2 [6.8]	21.1 [6.2]	27.8 [8.1]	24.9 [7.3]	31.3 [9.2]	33.0 [9.7]	29.5 [8.6]	33.7 [9.9]	33.5 [9.8]	31.0 [9.1]
	Power	2.7	2.7	2.7	2.7	2.7	2.7	2.7	2.7	2.7	2.7	2.7
95°F [35°C]	Total BTUH [kW]	38.2 [11.2]	37.9 [11.1]	36.6 [10.7]	35.1 [10.3]	34.9 [10.2]	33.0 [9.7]	32.5 [9.5]	31.1 [9.1]	32.4 [9.5]	32.2 [9.4]	31.0 [9.1]
	Sens BTUH [kW]	22.9 [6.7]	22.5 [6.6]	20.5 [6.0]	27.1 [8.0]	26.7 [7.8]	30.6 [9.0]	32.3 [9.5]	28.9 [8.5]	32.4 [9.5]	32.2 [9.4]	30.4 [8.9]
	Power	2.9	2.9	2.8	2.9	2.9	2.9	2.9	2.8	2.9	2.8	2.8
100°F [37.8°C]	Total BTUH [kW]	36.8 [10.8]	36.6 [10.7]	35.3 [10.3]	33.8 [9.9]	32.3 [9.5]	31.7 [9.3]	31.1 [9.1]	29.8 [8.7]	31.1 [9.1]	30.8 [9.0]	29.8 [8.7]
	Sens BTUH [kW]	22.3 [6.5]	21.9 [6.4]	19.9 [5.8]	26.5 [7.8]	26.0 [7.6]	30.0 [8.8]	31.1 [9.1]	28.3 [8.3]	31.1 [9.1]	30.8 [9.0]	29.8 [8.7]
	Power	3.0	3.0	3.0	3.0	3.0	3.0	3.0	2.9	3.0	3.0	2.9
105°F [40.6°C]	Total BTUH [kW]	35.5 [10.4]	35.2 [10.3]	34.0 [10.0]	32.4 [9.5]	31.1 [9.1]	30.3 [8.9]	29.8 [8.7]	28.6 [8.4]	29.7 [8.7]	29.5 [8.6]	28.5 [8.3]
	Sens BTUH [kW]	21.7 [6.3]	21.3 [6.2]	19.4 [5.7]	25.9 [7.6]	25.4 [7.4]	29.4 [8.6]	29.8 [8.7]	27.7 [8.1]	29.7 [8.7]	29.5 [8.6]	28.5 [8.3]
	Power	3.2	3.2	3.1	3.2	3.2	3.2	3.2	3.1	3.2	3.1	3.1
110°F [43.3°C]	Total BTUH [kW]	34.1 [10.0]	33.9 [9.9]	32.7 [9.6]	31.1 [9.1]	29.8 [8.7]	28.8 [8.4]	28.4 [8.3]	27.3 [8.0]	28.4 [8.3]	28.2 [8.3]	27.2 [8.0]
	Sens BTUH [kW]	21.1 [6.2]	20.7 [6.1]	18.8 [5.5]	25.3 [7.4]	24.8 [7.3]	28.8 [8.4]	28.4 [8.3]	27.2 [8.0]	28.4 [8.3]	28.2 [8.3]	27.2 [8.0]
	Power	3.3	3.3	3.3	3.3	3.3	3.3	3.3	3.3	3.3	3.3	3.2
115°F [46.1°C]	Total BTUH [kW]	32.8 [9.6]	32.6 [9.5]	31.4 [9.2]	29.7 [8.7]	28.5 [8.3]	27.6 [8.1]	27.1 [7.9]	26.0 [7.6]	27.0 [7.9]	26.8 [7.9]	25.9 [7.6]
	Sens BTUH [kW]	20.5 [6.0]	20.1 [5.9]	18.3 [5.4]	24.7 [7.2]	24.2 [7.1]	27.6 [8.1]	27.1 [7.9]	26.0 [7.6]	27.0 [7.9]	26.8 [7.9]	25.9 [7.6]
	Power	3.5	3.5	3.4	3.5	3.4	3.5	3.5	3.4	3.5	3.5	3.4
120°F [48.9°C]	Total BTUH [kW]	31.4 [9.2]	31.2 [9.1]	30.1 [8.8]	28.4 [8.3]	27.2 [8.0]	26.3 [7.7]	25.8 [7.5]	24.7 [7.2]	25.7 [7.5]	25.5 [7.5]	24.6 [7.2]
	Sens BTUH [kW]	19.9 [5.8]	19.6 [5.7]	17.8 [5.2]	24.1 [7.1]	23.7 [6.9]	26.3 [7.7]	25.8 [7.5]	24.7 [7.2]	25.7 [7.5]	25.5 [7.5]	24.6 [7.2]
	Power	3.7	3.7	3.6	3.7	3.7	3.7	3.7	3.6	3.7	3.7	3.6
125°F [51.7°C]	Total BTUH [kW]	30.1 [8.8]	29.9 [8.8]	28.8 [8.5]	27.0 [7.9]	25.9 [7.6]	24.9 [7.3]	24.4 [7.2]	23.4 [6.9]	24.3 [7.1]	24.2 [7.1]	23.3 [6.8]
	Sens BTUH [kW]	19.4 [5.7]	19.0 [5.6]	17.3 [5.1]	23.6 [6.9]	23.2 [6.8]	24.9 [7.3]	24.4 [7.2]	23.4 [6.9]	24.3 [7.1]	24.2 [7.1]	23.3 [6.8]
	Power	3.9	3.9	3.8	3.9	3.9	3.9	3.9	3.8	3.9	3.8	3.8

DR — Depression ratio
 dbE — Entering air dry bulb
 wbE — Entering air wet bulb

① When the entering air dry bulb is other than 80°F [27°C], adjust the sensible capacity from the table by adding [1.10 x CFM x (1 - DR) x dbE - 80].

— Total capacity x 1000 BTUH
 Sens — Sensible capacity x 1000 BTUH
 Power — KW input

[] Designates Metric Conversions

COOLING PERFORMANCE DATA — RACCZR048A

		ENTERING INDOOR AIR @ 80°F [26.7°C] dbE ①											
		71°F [21.7°C]		67°F [19.4°C]		63°F [17.2°C]		61°F [16.1°C]		59°F [15.0°C]			
CFM [L/s]		1800 [850]	1730 [816]	1400 [661]	1800 [850]	1730 [816]	1400 [661]	1800 [850]	1730 [816]	1400 [661]	1800 [850]	1730 [816]	1400 [661]
DR ①		0.23	0.22	0.18	0.23	0.22	0.18	0.23	0.22	0.18	0.23	0.22	0.18
75°F [23.9°C]	Total BTUH [kW]	57.9 [17.0]	57.5 [16.8]	55.5 [16.3]	53.8 [15.8]	53.4 [15.6]	51.5 [15.1]	50.6 [14.8]	50.2 [14.7]	48.5 [14.2]	49.5 [14.5]	49.2 [14.4]	47.5 [13.9]
	Sens BTUH [kW]	32.7 [9.6]	32.1 [9.4]	29.3 [8.6]	39.1 [11.5]	38.4 [11.3]	35.0 [10.2]	44.4 [13.0]	43.6 [12.8]	39.7 [11.6]	46.5 [13.6]	45.7 [13.4]	41.6 [12.2]
	Power	3.1	3.1	3.0	3.1	3.0	3.0	3.0	3.0	3.0	3.0	3.0	3.0
80°F [26.7°C]	Total BTUH [kW]	56.3 [16.5]	55.9 [16.4]	54.0 [15.8]	52.2 [15.3]	51.8 [15.2]	50.0 [14.7]	49.0 [14.4]	48.7 [14.3]	47.0 [13.8]	47.9 [14.1]	47.6 [13.9]	45.9 [13.5]
	Sens BTUH [kW]	31.9 [9.4]	31.3 [9.2]	28.5 [8.4]	38.3 [11.2]	37.6 [11.0]	34.2 [10.0]	43.6 [12.8]	42.8 [12.5]	39.0 [11.4]	45.7 [13.4]	44.8 [13.1]	40.8 [12.0]
	Power	3.2	3.2	3.1	3.2	3.2	3.1	3.2	3.2	3.1	3.2	3.2	3.1
85°F [29.4°C]	Total BTUH [kW]	54.7 [16.0]	54.3 [15.9]	52.4 [15.4]	50.6 [14.8]	50.2 [14.7]	48.5 [14.2]	47.4 [13.9]	47.1 [13.8]	46.0 [13.5]	46.3 [13.6]	46.0 [13.5]	44.4 [13.0]
	Sens BTUH [kW]	31.0 [9.1]	30.5 [8.9]	27.8 [8.1]	37.4 [11.0]	36.7 [10.8]	33.5 [9.8]	42.7 [12.5]	42.0 [12.3]	38.2 [11.2]	44.8 [13.1]	44.0 [12.9]	40.1 [11.7]
	Power	3.4	3.3	3.3	3.4	3.3	3.3	3.3	3.3	3.3	3.3	3.3	3.3
90°F [32.2°C]	Total BTUH [kW]	53.0 [15.5]	52.6 [15.4]	50.8 [14.9]	48.9 [14.3]	48.5 [14.2]	46.9 [13.7]	45.7 [13.4]	45.4 [13.3]	43.8 [12.8]	44.6 [13.1]	44.3 [13.0]	42.8 [12.5]
	Sens BTUH [kW]	30.2 [8.8]	29.6 [8.7]	27.0 [7.9]	36.5 [10.7]	35.9 [10.5]	32.7 [9.6]	41.9 [12.3]	41.1 [12.0]	37.4 [11.0]	43.9 [12.9]	43.1 [12.6]	39.3 [11.5]
	Power	3.5	3.5	3.5	3.5	3.5	3.4	3.5	3.5	3.4	3.5	3.5	3.4
95°F [35°C]	Total BTUH [kW]	51.3 [15.0]	50.9 [14.9]	49.1 [14.4]	47.2 [13.8]	46.8 [13.7]	45.2 [13.2]	44.0 [12.9]	43.7 [12.8]	42.5 [12.5]	42.9 [12.6]	42.5 [12.4]	41.1 [12.0]
	Sens BTUH [kW]	29.2 [8.6]	28.7 [8.4]	26.1 [7.7]	35.6 [10.4]	35.0 [10.2]	31.8 [9.3]	40.9 [12.0]	40.2 [11.8]	36.6 [10.7]	42.9 [12.6]	42.2 [12.4]	38.5 [11.3]
	Power	3.7	3.7	3.6	3.7	3.7	3.6	3.7	3.7	3.6	3.7	3.7	3.6
100°F [37.8°C]	Total BTUH [kW]	49.5 [14.5]	49.1 [14.4]	47.4 [13.9]	45.4 [13.3]	45.1 [13.2]	43.5 [12.7]	42.2 [12.4]	41.9 [12.3]	40.5 [11.9]	41.1 [12.1]	40.8 [12.0]	39.4 [11.6]
	Sens BTUH [kW]	28.3 [8.3]	27.8 [8.1]	25.3 [7.4]	34.7 [10.2]	34.0 [10.0]	31.0 [9.1]	40.0 [11.7]	39.3 [11.5]	35.8 [10.5]	41.1 [12.1]	40.8 [12.0]	37.6 [11.0]
	Power	3.9	3.9	3.8	3.9	3.9	3.8	3.9	3.9	3.8	3.9	3.9	3.8
105°F [40.6°C]	Total BTUH [kW]	47.7 [14.0]	47.3 [13.9]	45.7 [13.4]	43.6 [12.8]	43.3 [12.7]	41.8 [12.2]	40.4 [11.8]	40.1 [11.8]	38.7 [11.3]	39.3 [11.5]	39.0 [11.4]	37.7 [11.0]
	Sens BTUH [kW]	27.3 [8.0]	26.8 [7.9]	24.4 [7.2]	33.7 [9.9]	33.1 [9.7]	30.1 [8.8]	39.0 [11.4]	38.3 [11.2]	34.9 [10.2]	39.3 [11.5]	39.0 [11.4]	36.8 [10.8]
	Power	4.1	4.1	4.0	4.1	4.1	4.0	4.1	4.1	4.0	4.1	4.1	4.0
110°F [43.3°C]	Total BTUH [kW]	45.8 [13.4]	45.5 [13.3]	43.9 [12.9]	41.7 [12.2]	41.4 [12.1]	40.0 [11.7]	38.5 [11.3]	38.3 [11.2]	36.9 [10.8]	37.5 [11.0]	37.2 [10.9]	35.9 [10.5]
	Sens BTUH [kW]	26.3 [7.7]	25.9 [7.6]	23.6 [6.9]	32.7 [9.6]	32.1 [9.4]	29.2 [8.6]	38.0 [11.1]	37.3 [10.9]	34 [10.0]	37.5 [11.0]	37.2 [10.9]	35.9 [10.5]
	Power	4.3	4.3	4.2	4.3	4.3	4.2	4.3	4.3	4.2	4.3	4.3	4.2
115°F [46.1°C]	Total BTUH [kW]	43.9 [12.9]	43.6 [12.8]	42.1 [12.3]	39.8 [11.7]	39.5 [11.6]	38.1 [11.2]	36.6 [10.7]	36.4 [10.7]	35.1 [10.3]	35.5 [10.4]	35.3 [10.3]	34.1 [10.0]
	Sens BTUH [kW]	25.3 [7.4]	24.8 [7.3]	22.6 [6.6]	31.7 [9.3]	31.1 [9.1]	28.3 [8.3]	36.6 [10.7]	36.3 [10.6]	33.1 [9.7]	35.5 [10.4]	35.3 [10.3]	34.1 [10.0]
	Power	4.5	4.5	4.5	4.5	4.5	4.4	4.5	4.5	4.4	4.5	4.5	4.4
120°F [48.9°C]	Total BTUH [kW]	42.0 [12.3]	41.6 [12.2]	40.2 [11.8]	37.8 [11.1]	37.6 [11.0]	36.3 [10.6]	34.7 [10.2]	34.4 [10.1]	33.2 [9.7]	33.6 [9.8]	33.3 [9.8]	32.2 [9.4]
	Sens BTUH [kW]	24.3 [7.1]	23.8 [7.0]	21.7 [6.4]	30.6 [9.0]	30.1 [8.8]	27.4 [8.0]	34.7 [10.2]	34.4 [10.1]	32.2 [9.4]	33.6 [9.8]	33.3 [9.8]	32.2 [9.4]
	Power	4.8	4.8	4.7	4.8	4.8	4.7	4.8	4.7	4.7	4.8	4.7	4.7
125°F [51.7°C]	Total BTUH [kW]	39.9 [11.7]	39.7 [11.6]	38.3 [11.2]	35.8 [10.5]	35.6 [10.4]	34.3 [10.1]	32.7 [9.6]	32.4 [9.5]	31.3 [9.2]	31.6 [9.3]	31.4 [9.2]	30.3 [8.9]
	Sens BTUH [kW]	23.2 [6.8]	22.8 [6.7]	20.7 [6.1]	29.6 [8.7]	29.0 [8.5]	26.4 [7.7]	32.7 [9.6]	32.4 [9.5]	31.2 [9.1]	31.6 [9.3]	31.4 [9.2]	30.3 [8.9]
	Power	5.0	5.0	4.9	5.0	5.0	4.9	5.0	5.0	4.9	5.0	5.0	4.9

DR — Depression ratio
 dbE — Entering air dry bulb
 wbE — Entering air wet bulb

Total — Total capacity x 1000 BTUH
 Sens — Sensible capacity x 1000 BTUH
 Power — KW input

NOTES: ① When the entering air dry bulb is other than 80°F [27°C], adjust the sensible capacity from the table by adding [1.10 x CFM x (1 - DR) x (dbE - 80)].

I J Designates Metric Conversions

COOLING PERFORMANCE DATA — RACCZR060A

wB/E		ENTERING INDOOR AIR @ 80°F [26.7°C] dB/E ①														
		71°F [21.7°C]			67°F [19.4°C]			63°F [17.2°C]			61°F [16.1°C]			59°F [15.0°C]		
CFM [L/s]	DR [L]	2250 [1062]	1950 [920]	1750 [826]	2250 [1062]	1950 [920]	1750 [826]	2250 [1062]	1950 [920]	1750 [826]	2250 [1062]	1950 [920]	1750 [826]	2250 [1062]	1950 [920]	1750 [826]
75°F [23.9°C]	Total BTUH [kW]	72.9 [21.4]	70.9 [20.8]	69.6 [20.4]	68.5 [20.1]	66.7 [19.5]	65.4 [19.2]	64.6 [18.9]	62.9 [18.4]	61.7 [18.1]	61.2 [17.9]	59.7 [17.5]	58.3 [17.1]	59.6 [17.5]	59.9 [17.5]	58.7 [17.2]
	Sens BTUH [kW]	41.9 [12.3]	39.1 [11.5]	37.2 [10.9]	49.9 [14.6]	46.6 [13.6]	44.4 [13.0]	58.8 [16.7]	53.0 [15.5]	50.5 [14.8]	53.0 [15.5]	57.8 [16.9]	53.0 [15.5]	61.5 [18.0]	57.8 [16.9]	55.0 [16.1]
	Power	4.0	4.0	4.0	3.5	3.5	3.5	3.0	3.0	3.0	2.8	2.8	2.7	2.5	2.5	2.5
80°F [26.7°C]	Total BTUH [kW]	71.0 [20.8]	69.1 [20.2]	67.8 [19.9]	66.6 [19.5]	64.8 [19.0]	63.6 [18.6]	62.7 [18.4]	61.0 [17.9]	59.9 [17.5]	59.4 [17.4]	58.8 [17.2]	58.3 [17.1]	59.6 [17.5]	58.0 [17.0]	56.9 [16.7]
	Sens BTUH [kW]	41.0 [12.0]	38.2 [11.2]	36.4 [10.7]	49.0 [14.4]	45.7 [13.4]	43.5 [12.8]	55.9 [16.4]	52.2 [15.3]	49.7 [14.6]	54.8 [16.1]	52.2 [15.3]	52.2 [15.3]	59.6 [17.5]	56.9 [16.7]	54.2 [15.9]
	Power	4.2	4.1	4.1	3.7	3.6	3.6	3.2	3.1	3.1	2.9	2.9	2.8	2.7	2.6	2.6
85°F [29.4°C]	Total BTUH [kW]	69.0 [20.2]	67.1 [19.7]	65.9 [19.3]	64.6 [18.9]	62.9 [18.4]	61.7 [18.1]	60.7 [17.8]	59.1 [17.3]	58.0 [17.0]	57.4 [16.8]	57.8 [16.9]	57.4 [16.8]	57.6 [16.9]	56.0 [16.4]	55.0 [16.1]
	Sens BTUH [kW]	40.0 [11.7]	37.3 [10.9]	35.5 [10.4]	48.0 [14.1]	44.8 [13.1]	42.7 [12.5]	54.9 [16.1]	51.3 [15.0]	48.8 [14.3]	53.9 [15.8]	51.3 [15.0]	51.3 [15.0]	57.6 [16.9]	56.0 [16.4]	53.3 [15.6]
	Power	4.4	4.3	4.3	3.9	3.8	3.8	3.4	3.3	3.3	3.1	3.1	3.1	2.9	2.8	2.8
90°F [32.2°C]	Total BTUH [kW]	67.0 [19.6]	65.2 [19.1]	63.9 [18.7]	62.6 [18.3]	60.9 [17.7]	59.7 [17.5]	58.7 [17.2]	57.1 [16.7]	56.0 [16.4]	55.4 [16.2]	56.7 [16.6]	56.4 [16.5]	55.6 [16.3]	54.1 [15.8]	53.1 [15.5]
	Sens BTUH [kW]	39.0 [11.4]	36.4 [10.7]	34.6 [10.1]	47.0 [13.8]	43.9 [12.9]	41.8 [12.2]	53.9 [15.8]	50.3 [14.7]	47.9 [14.0]	52.9 [15.5]	50.4 [14.8]	50.4 [14.8]	55.6 [16.3]	54.1 [15.8]	52.4 [15.4]
	Power	4.7	4.6	4.6	4.2	4.1	4.1	3.7	3.6	3.6	3.4	3.4	3.4	3.2	3.2	3.1
95°F [35°C]	Total BTUH [kW]	64.9 [19.0]	63.1 [18.5]	61.9 [18.1]	60.5 [17.7]	58.8 [17.2]	57.7 [16.9]	56.6 [16.6]	55.0 [16.1]	54.0 [15.8]	53.4 [15.6]	54.9 [16.1]	54.4 [15.9]	53.5 [15.7]	52.0 [15.2]	51.0 [15.0]
	Sens BTUH [kW]	37.9 [11.1]	35.3 [10.4]	33.6 [9.9]	45.9 [13.5]	42.8 [12.6]	40.8 [11.9]	52.8 [15.5]	49.3 [14.4]	46.9 [13.7]	51.9 [15.2]	49.4 [14.5]	49.4 [14.5]	53.5 [15.7]	52.0 [15.2]	51.0 [15.0]
	Power	5.1	5.0	5.0	4.6	4.6	4.5	4.1	4.1	4.0	3.8	3.8	3.8	3.6	3.6	3.5
100°F [37.8°C]	Total BTUH [kW]	62.7 [18.4]	61.0 [17.9]	59.9 [17.5]	58.3 [17.1]	56.7 [16.6]	55.7 [16.3]	54.4 [15.9]	52.9 [15.5]	51.9 [15.2]	51.3 [15.0]	52.7 [15.5]	50.3 [14.8]	51.3 [15.0]	49.9 [14.6]	49.0 [14.4]
	Sens BTUH [kW]	36.7 [10.8]	34.3 [10.0]	32.6 [9.6]	44.7 [13.1]	41.7 [12.2]	39.7 [11.6]	51.7 [15.1]	48.2 [14.1]	45.9 [13.4]	50.8 [14.9]	48.4 [14.2]	48.4 [14.2]	51.3 [15.0]	49.9 [14.6]	49.0 [14.4]
	Power	5.6	5.6	5.5	5.1	5.1	5.0	4.6	4.6	4.5	4.3	4.4	4.3	4.1	4.1	4.0
105°F [40.6°C]	Total BTUH [kW]	60.5 [17.7]	58.9 [17.2]	57.8 [16.9]	56.1 [16.4]	54.6 [16.0]	53.6 [15.7]	52.2 [15.3]	50.8 [14.9]	49.8 [14.6]	49.1 [14.4]	50.5 [14.8]	48.2 [14.1]	49.1 [14.4]	47.8 [14.0]	46.9 [13.7]
	Sens BTUH [kW]	35.5 [10.4]	33.1 [9.7]	31.5 [9.2]	43.5 [12.8]	40.6 [11.9]	38.7 [11.3]	50.4 [14.8]	47.1 [13.8]	44.8 [13.1]	49.1 [14.4]	47.3 [13.9]	47.3 [13.9]	49.1 [14.4]	47.8 [14.0]	46.9 [13.7]
	Power	6.3	6.2	6.1	5.8	5.7	5.6	5.3	5.2	5.1	4.9	4.9	4.9	4.8	4.7	4.7
110°F [43.3°C]	Total BTUH [kW]	58.2 [17.1]	56.6 [16.6]	55.6 [16.3]	53.8 [15.8]	52.4 [15.3]	51.4 [15.1]	49.9 [14.6]	48.6 [14.2]	47.7 [14.0]	46.9 [13.8]	48.2 [14.1]	46.1 [13.5]	46.8 [13.7]	45.6 [13.3]	44.7 [13.1]
	Sens BTUH [kW]	34.2 [10.0]	31.9 [9.4]	30.4 [8.9]	42.2 [12.4]	39.4 [11.5]	37.5 [11.0]	49.9 [14.4]	45.9 [13.4]	43.7 [12.8]	48.2 [14.1]	46.9 [13.8]	46.1 [13.5]	46.8 [13.7]	45.6 [13.3]	44.7 [13.1]
	Power	7.0	6.9	6.8	6.5	6.4	6.3	6.0	5.9	5.9	5.7	5.7	5.6	5.5	5.4	5.4
115°F [46.1°C]	Total BTUH [kW]	55.9 [16.4]	54.4 [15.9]	53.4 [15.6]	51.5 [15.1]	50.1 [14.7]	49.2 [14.4]	47.6 [13.9]	46.3 [13.6]	45.4 [13.3]	44.7 [13.1]	45.9 [13.5]	43.8 [12.8]	44.5 [13.0]	43.3 [12.7]	42.5 [12.4]
	Sens BTUH [kW]	32.9 [9.6]	30.7 [9.0]	29.2 [8.6]	40.9 [12.0]	38.2 [11.2]	36.3 [10.6]	47.6 [13.9]	44.6 [13.1]	42.5 [12.4]	47.7 [14.0]	45.9 [13.5]	43.8 [12.8]	44.5 [13.0]	43.3 [12.7]	42.5 [12.4]
	Power	7.8	7.7	7.6	7.3	7.2	7.1	6.8	6.7	6.7	6.5	6.6	6.4	6.3	6.2	6.2
120°F [48.9°C]	Total BTUH [kW]	53.5 [15.7]	52.1 [15.3]	51.1 [15.0]	49.1 [14.4]	47.8 [14.0]	46.9 [13.7]	45.2 [13.2]	44.0 [12.9]	43.2 [12.6]	42.3 [12.4]	43.5 [12.8]	41.6 [12.2]	42.1 [12.3]	41.0 [12.0]	40.2 [11.8]
	Sens BTUH [kW]	31.5 [9.2]	29.4 [8.6]	28.0 [8.2]	39.5 [11.6]	36.8 [10.8]	35.1 [10.3]	45.2 [13.2]	43.3 [12.7]	41.2 [12.1]	43.5 [12.8]	42.3 [12.4]	41.6 [12.2]	42.1 [12.3]	41.0 [12.0]	40.2 [11.8]
	Power	8.7	8.6	8.5	8.2	8.1	8.1	7.7	7.6	7.6	7.5	7.4	7.3	7.2	7.1	7.1
125°F [51.7°C]	Total BTUH [kW]	51.1 [15.0]	49.7 [14.6]	48.7 [14.3]	46.7 [13.7]	45.4 [13.3]	44.6 [13.1]	42.8 [12.5]	41.6 [12.2]	40.8 [12.0]	41.1 [12.0]	41.1 [12.0]	39.2 [11.5]	39.7 [11.6]	38.6 [11.3]	37.9 [11.1]
	Sens BTUH [kW]	30.0 [8.8]	28.0 [8.2]	26.6 [7.8]	38.0 [11.1]	35.5 [10.4]	33.8 [9.9]	42.8 [12.5]	41.6 [12.2]	39.9 [11.7]	41.1 [12.0]	41.1 [12.0]	39.2 [11.5]	39.7 [11.6]	38.6 [11.3]	37.9 [11.1]
	Power	9.8	9.6	9.6	9.3	9.1	9.1	8.8	8.7	8.6	8.5	8.4	8.3	8.3	8.2	8.1

DR —Depression ratio
 dB/E —Entering air dry bulb
 wB/E —Entering air wetbulb

Total —Total capacity x 1000 BTUH
 Sens —Sensible capacity x 1000 BTUH
 Power —KW input

NOTES: ① When the entering air dry bulb is other than 80°F [27°C], adjust the sensible capacity from the table by adding [1.10 x CFM x (1 – DR) x (dB/E – 80)].

[] Designates Metric Conversions

COOLING PERFORMANCE DATA — RACCZT036

ENTERING INDOOR AIR @ 80°F [26.7°C] dbE ①															
wbE	71°F [21.7°C]			67°F [19.4°C]			63°F [17.2°C]			61°F [16.1°C]			59°F [15.0°C]		
	CFM [L/s]	1350 [637]	1260 [595]	1050 [496]	1350 [637]	1260 [595]	1050 [496]	1350 [637]	1260 [595]	1050 [496]	1350 [637]	1260 [595]	1050 [496]	1350 [637]	1260 [595]
DR ①	0.18	0.17	0.17	0.14	0.18	0.17	0.14	0.18	0.17	0.14	0.18	0.17	0.14	0.18	
75°F [23.9°C]	Total BTUH [KW]	48.3 [14.2]	47.7 [14.0]	46.2 [13.6]	45.2 [13.3]	44.6 [13.1]	43.3 [12.7]	43.1 [12.6]	42.6 [12.5]	41.3 [12.1]	40.8 [11.9]	40.5 [12.3]	40.7 [11.9]	42.0 [12.3]	40.7 [11.9]
	Sens BTUH [KW]	27.8 [8.2]	26.9 [7.9]	24.9 [7.3]	32.1 [9.4]	31.1 [9.1]	28.7 [8.4]	35.7 [10.5]	34.5 [10.1]	31.8 [9.3]	33.3 [9.8]	39.1 [11.4]	37.8 [11.1]	34.9 [10.2]	34.9 [10.2]
	Power	1.9	1.9	1.8	1.9	1.9	1.8	1.9	1.9	1.8	1.8	1.9	1.9	1.8	1.8
80°F [26.7°C]	Total BTUH [KW]	47.0 [13.8]	46.4 [13.6]	45.0 [13.2]	43.9 [12.9]	43.3 [12.7]	42.0 [12.3]	41.8 [12.2]	41.2 [12.1]	40.0 [11.7]	39.5 [11.6]	41.2 [12.1]	40.6 [11.9]	39.4 [11.5]	39.4 [11.5]
	Sens BTUH [KW]	27.1 [7.9]	26.2 [7.7]	24.2 [7.1]	31.4 [9.2]	30.4 [8.9]	28.0 [8.2]	34.9 [10.2]	33.8 [9.9]	31.2 [9.1]	32.7 [9.6]	38.3 [11.2]	37.1 [10.9]	34.2 [10.0]	34.2 [10.0]
	Power	2.0	2.0	2.0	2.0	2.0	1.9	2.0	2.0	1.9	1.9	2.0	2.0	1.9	1.9
85°F [29.4°C]	Total BTUH [KW]	45.6 [13.4]	45.0 [13.2]	43.7 [12.8]	42.5 [12.5]	42.0 [12.3]	40.7 [11.9]	40.4 [11.8]	39.9 [11.7]	38.7 [11.3]	38.2 [11.2]	39.9 [11.7]	39.3 [11.5]	38.1 [11.2]	38.1 [11.2]
	Sens BTUH [KW]	26.4 [7.7]	25.5 [7.5]	23.5 [6.9]	30.7 [9.0]	29.7 [8.7]	27.4 [8.0]	34.2 [10.0]	33.1 [9.7]	30.5 [8.9]	32.0 [9.4]	37.6 [11.0]	36.4 [10.7]	33.6 [9.8]	33.6 [9.8]
	Power	2.1	2.1	2.1	2.1	2.1	2.1	2.1	2.1	2.1	2.1	2.1	2.1	2.1	2.0
90°F [32.2°C]	Total BTUH [KW]	44.3 [13.0]	43.7 [12.8]	42.4 [12.4]	41.2 [12.1]	40.7 [11.9]	39.4 [11.6]	39.1 [11.5]	38.6 [11.3]	37.4 [11.0]	36.9 [10.8]	38.6 [11.3]	38.0 [11.1]	36.8 [10.8]	36.8 [10.8]
	Sens BTUH [KW]	25.7 [7.5]	24.9 [7.3]	22.9 [6.7]	30.0 [8.8]	29.0 [8.5]	26.7 [7.8]	33.5 [9.8]	32.4 [9.5]	29.9 [8.8]	31.4 [9.2]	36.9 [10.8]	35.7 [10.5]	32.9 [9.6]	32.9 [9.6]
	Power	2.2	2.2	2.2	2.2	2.2	2.2	2.2	2.2	2.2	2.2	2.2	2.2	2.2	2.2
95°F [35°C]	Total BTUH [KW]	42.9 [12.6]	42.4 [12.4]	41.1 [12.0]	39.8 [11.7]	39.3 [11.5]	38.1 [11.2]	37.7 [11.1]	37.3 [10.9]	36.1 [10.6]	35.6 [10.4]	37.2 [10.9]	36.7 [10.7]	35.5 [10.4]	35.5 [10.4]
	Sens BTUH [KW]	25.0 [7.3]	24.2 [7.1]	22.3 [6.5]	29.3 [8.6]	28.3 [8.3]	26.1 [7.7]	32.8 [9.6]	31.8 [9.3]	29.3 [8.6]	30.8 [9.0]	36.2 [10.6]	35.0 [10.3]	32.3 [9.5]	32.3 [9.5]
	Power	2.4	2.4	2.3	2.4	2.4	2.3	2.4	2.3	2.3	2.3	2.4	2.3	2.3	2.3
100°F [37.8°C]	Total BTUH [KW]	41.6 [12.2]	41.0 [12.0]	39.8 [11.7]	38.5 [11.3]	38.0 [11.1]	36.8 [10.8]	36.4 [10.7]	35.9 [10.5]	34.8 [10.2]	34.3 [10.1]	35.8 [10.5]	35.3 [10.4]	34.2 [10.0]	34.2 [10.0]
	Sens BTUH [KW]	24.3 [7.1]	23.6 [6.9]	21.7 [6.4]	28.6 [8.4]	27.7 [8.1]	25.5 [7.5]	32.2 [9.4]	31.1 [9.1]	28.7 [8.4]	30.2 [8.9]	35.6 [10.4]	34.4 [10.1]	31.7 [9.3]	31.7 [9.3]
	Power	2.5	2.5	2.5	2.5	2.5	2.5	2.5	2.5	2.5	2.5	2.5	2.5	2.5	2.4
105°F [40.6°C]	Total BTUH [KW]	40.2 [11.8]	39.7 [11.6]	38.5 [11.3]	37.1 [10.9]	36.7 [10.7]	35.6 [10.4]	35.0 [10.3]	34.6 [10.1]	33.5 [9.8]	33.0 [9.7]	34.5 [10.1]	34.0 [10.0]	33.0 [9.7]	33.0 [9.7]
	Sens BTUH [KW]	23.7 [6.9]	22.9 [6.7]	21.2 [6.2]	28.0 [8.2]	27.1 [7.9]	25.0 [7.3]	31.6 [9.2]	30.5 [8.9]	28.2 [8.3]	29.7 [8.7]	34.4 [10.1]	33.8 [9.9]	31.2 [9.1]	31.2 [9.1]
	Power	2.7	2.7	2.6	2.7	2.7	2.6	2.7	2.6	2.6	2.6	2.7	2.6	2.6	2.6
110°F [43.3°C]	Total BTUH [KW]	38.9 [11.4]	38.4 [11.2]	37.2 [10.9]	35.8 [10.5]	35.3 [10.4]	34.3 [10.0]	33.7 [9.9]	33.3 [9.7]	32.2 [9.4]	31.7 [9.3]	33.2 [9.7]	32.6 [9.6]	31.7 [9.3]	31.7 [9.3]
	Sens BTUH [KW]	23.1 [6.8]	22.4 [6.6]	20.6 [6.0]	27.4 [8.0]	26.5 [7.8]	24.4 [7.2]	30.9 [9.1]	29.9 [8.8]	27.6 [8.1]	29.1 [8.5]	33.1 [9.7]	32.6 [9.6]	30.6 [9.0]	30.6 [9.0]
	Power	2.8	2.8	2.8	2.8	2.8	2.8	2.8	2.8	2.8	2.8	2.8	2.8	2.8	2.8
115°F [46.1°C]	Total BTUH [KW]	37.5 [11.0]	37.0 [10.9]	35.9 [10.5]	34.4 [10.1]	34.0 [10.0]	33.0 [9.7]	32.3 [9.5]	31.9 [9.4]	30.9 [9.1]	30.4 [8.9]	31.8 [9.3]	31.4 [9.2]	30.4 [8.9]	30.4 [8.9]
	Sens BTUH [KW]	22.5 [6.6]	21.8 [6.4]	20.1 [5.9]	26.8 [7.9]	25.9 [7.6]	23.9 [7.0]	30.4 [8.9]	29.4 [8.6]	27.1 [7.9]	28.6 [8.4]	31.7 [9.3]	31.3 [9.2]	30.1 [8.8]	30.1 [8.8]
	Power	3.0	3.0	3.0	3.0	3.0	2.9	3.0	3.0	2.9	2.9	3.0	3.0	3.0	2.9
120°F [48.9°C]	Total BTUH [KW]	36.2 [10.6]	35.7 [10.5]	34.6 [10.1]	33.1 [9.7]	32.7 [9.6]	31.7 [9.3]	31.0 [9.1]	30.6 [9.0]	29.6 [8.7]	29.1 [8.5]	30.4 [8.9]	30.1 [8.8]	29.1 [8.5]	29.1 [8.5]
	Sens BTUH [KW]	22.0 [6.4]	21.2 [6.2]	19.6 [5.7]	26.2 [7.7]	25.4 [7.4]	23.4 [6.9]	29.8 [8.7]	28.8 [8.4]	26.6 [7.8]	28.1 [8.2]	30.4 [8.9]	30.1 [8.8]	29.1 [8.5]	29.1 [8.5]
	Power	3.2	3.2	3.1	3.2	3.2	3.1	3.2	3.2	3.1	3.1	3.2	3.2	3.1	3.1
125°F [51.7°C]	Total BTUH [KW]	34.8 [10.2]	34.4 [10.1]	33.3 [9.8]	31.7 [9.3]	31.3 [9.2]	30.4 [8.9]	29.6 [8.7]	29.2 [8.6]	28.3 [8.3]	27.8 [8.4]	29.1 [8.5]	28.7 [8.4]	27.8 [8.4]	27.8 [8.4]
	Sens BTUH [KW]	21.4 [6.3]	20.7 [6.1]	19.1 [5.6]	25.7 [7.5]	24.9 [7.3]	22.9 [6.7]	29.2 [8.6]	28.3 [8.3]	26.1 [7.6]	27.6 [8.1]	29.1 [8.5]	28.6 [8.4]	27.8 [8.4]	27.8 [8.4]
	Power	3.4	3.4	3.3	3.4	3.4	3.3	3.4	3.4	3.3	3.3	3.4	3.3	3.3	3.3

DR — Depression ratio
 dbE — Entering air dry bulb
 wbE — Entering air wet bulb

Total — Total capacity x 1000 BTUH
 Sens — Sensible capacity x 1000 BTUH
 Power — KW input

NOTES: ① When the entering air dry bulb is other than 80°F [27°C], adjust the sensible capacity from the table by adding [(.10 x CFM x (1 - DR) x (dbE - 80)].

[J Designates Metric Conversions

COOLING PERFORMANCE DATA — RACCZT048

wB/E CFM [L/s]		ENTERING INDOOR AIR @ 80°F [26.7°C] dbE ①											
		71°F [21.7°C]		67°F [19.4°C]		63°F [17.2°C]		61°F [16.1°C]		59°F [15.0°C]			
DR ①		1800 [850]	1570 [741]	1400 [661]	1800 [850]	1570 [741]	1400 [661]	1800 [850]	1570 [741]	1400 [661]	1800 [850]	1570 [741]	1400 [661]
75°F [23.9°C]	Total BTUH [kW]	61.1 [17.9]	59.5 [17.4]	58.3 [17.1]	56.9 [16.7]	55.4 [16.2]	54.3 [15.9]	53.6 [15.7]	52.2 [15.3]	51.2 [15.0]	52.5 [15.4]	51.2 [15.0]	50.2 [14.7]
	Sens BTUH [kW]	34.2 [10.0]	32.0 [9.4]	30.4 [8.9]	40.9 [12.0]	38.3 [11.2]	36.3 [10.6]	46.4 [13.6]	43.5 [12.7]	41.3 [12.1]	48.6 [14.2]	45.5 [13.3]	43.2 [12.7]
	Power	2.7	2.6	2.6	2.7	2.6	2.6	2.7	2.6	2.6	2.7	2.6	2.6
80°F [26.7°C]	Total BTUH [kW]	59.4 [17.4]	57.9 [17.0]	56.8 [16.6]	55.3 [16.2]	53.8 [15.8]	52.8 [15.5]	52.0 [15.2]	50.7 [14.8]	49.7 [14.5]	50.9 [14.9]	49.6 [14.5]	48.6 [14.2]
	Sens BTUH [kW]	33.3 [9.8]	31.2 [9.1]	29.6 [8.7]	40.0 [11.7]	37.4 [11.0]	35.5 [10.4]	45.6 [13.4]	42.7 [12.5]	40.5 [11.9]	47.8 [14.0]	44.7 [13.1]	42.4 [12.4]
	Power	2.8	2.8	2.8	2.8	2.8	2.8	2.8	2.8	2.8	2.8	2.8	2.8
85°F [29.4°C]	Total BTUH [kW]	57.8 [16.9]	56.3 [16.5]	55.2 [16.2]	53.6 [15.7]	52.2 [15.3]	51.2 [15.0]	50.4 [14.8]	49.1 [14.4]	48.1 [14.1]	49.3 [14.4]	48.0 [14.1]	47.0 [13.8]
	Sens BTUH [kW]	32.4 [9.5]	30.3 [8.9]	28.8 [8.4]	39.1 [11.5]	36.6 [10.7]	34.7 [10.2]	44.7 [13.1]	41.8 [12.3]	39.7 [11.6]	46.9 [13.7]	43.9 [12.9]	41.6 [12.2]
	Power	3.0	2.9	2.9	3.0	2.9	2.9	3.0	2.9	2.9	3.0	2.9	2.9
90°F [32.2°C]	Total BTUH [kW]	56.1 [16.4]	54.6 [16.0]	53.5 [15.7]	51.9 [15.2]	50.5 [14.8]	49.5 [14.5]	48.6 [14.3]	47.4 [13.9]	46.5 [13.6]	47.5 [13.9]	46.3 [13.6]	45.4 [13.3]
	Sens BTUH [kW]	31.5 [9.2]	29.5 [8.6]	28.0 [8.2]	38.2 [11.2]	35.7 [10.5]	33.9 [9.9]	43.7 [12.8]	40.9 [12.0]	38.9 [11.4]	45.9 [13.5]	43.0 [12.6]	40.8 [12.0]
	Power	3.2	3.1	3.1	3.1	3.1	3.1	3.1	3.1	3.1	3.1	3.1	3.1
95°F [35°C]	Total BTUH [kW]	54.3 [15.9]	52.9 [15.5]	51.9 [15.2]	50.1 [14.7]	48.8 [14.3]	47.9 [14.0]	46.9 [13.7]	45.7 [13.4]	44.8 [13.1]	45.8 [13.4]	44.6 [13.1]	43.7 [12.8]
	Sens BTUH [kW]	30.5 [8.9]	28.6 [8.4]	27.1 [7.9]	37.2 [10.9]	34.8 [10.2]	33.1 [9.7]	42.8 [12.5]	40.0 [11.7]	38.0 [11.1]	45.0 [13.2]	42.1 [12.3]	40.0 [11.7]
	Power	3.3	3.3	3.3	3.3	3.3	3.2	3.3	3.3	3.3	3.3	3.3	3.2
100°F [37.8°C]	Total BTUH [kW]	52.5 [15.4]	51.1 [15.0]	50.1 [14.7]	48.3 [14.2]	46.5 [13.6]	46.1 [13.5]	45.1 [13.2]	43.9 [12.9]	43.0 [12.6]	44.0 [12.9]	42.8 [12.6]	42.0 [12.3]
	Sens BTUH [kW]	29.5 [8.7]	27.6 [8.1]	26.2 [7.7]	36.2 [10.6]	33.9 [9.9]	32.2 [9.4]	41.8 [12.2]	39.1 [11.5]	37.1 [10.9]	44.0 [12.9]	41.2 [12.1]	39.1 [11.5]
	Power	3.5	3.5	3.4	3.5	3.5	3.4	3.5	3.5	3.4	3.5	3.5	3.4
105°F [40.6°C]	Total BTUH [kW]	50.7 [14.8]	49.3 [14.5]	48.4 [14.2]	46.5 [13.6]	45.3 [13.3]	44.4 [13.0]	43.2 [12.7]	42.1 [12.3]	41.3 [12.1]	42.1 [12.3]	41.0 [12.0]	40.2 [11.8]
	Sens BTUH [kW]	28.5 [8.4]	26.7 [7.8]	25.3 [7.4]	35.2 [10.3]	32.9 [9.7]	31.3 [9.2]	40.8 [11.9]	38.2 [11.2]	36.2 [10.6]	42.1 [12.3]	40.2 [11.8]	38.2 [11.2]
	Power	3.7	3.7	3.6	3.7	3.7	3.6	3.7	3.7	3.6	3.7	3.7	3.6
110°F [43.3°C]	Total BTUH [kW]	48.8 [14.3]	47.5 [13.9]	46.6 [13.6]	44.6 [13.1]	43.4 [12.7]	42.6 [12.5]	41.3 [12.1]	40.3 [11.8]	39.5 [11.6]	40.2 [11.8]	39.2 [11.5]	38.4 [11.3]
	Sens BTUH [kW]	27.5 [8.0]	25.7 [7.5]	24.4 [7.2]	34.2 [10.0]	32.0 [9.4]	30.4 [8.9]	39.7 [11.6]	37.2 [10.9]	35.3 [10.3]	40.2 [11.8]	39.2 [11.5]	37.2 [10.9]
	Power	3.9	3.9	3.9	3.9	3.9	3.9	3.9	3.9	3.8	3.9	3.9	3.8
115°F [46.1°C]	Total BTUH [kW]	46.8 [13.7]	45.6 [13.4]	44.7 [13.1]	42.6 [12.5]	41.5 [12.2]	40.7 [11.9]	39.4 [11.5]	38.4 [11.2]	37.6 [11.0]	38.3 [11.2]	37.3 [10.9]	36.6 [10.7]
	Sens BTUH [kW]	26.4 [7.7]	24.7 [7.2]	23.5 [6.9]	33.1 [9.7]	31.0 [9.1]	29.4 [8.6]	38.7 [11.3]	36.2 [10.6]	34.4 [10.1]	38.3 [11.2]	37.3 [10.9]	36.3 [10.6]
	Power	4.2	4.1	4.1	4.2	4.1	4.1	4.2	4.1	4.1	4.2	4.1	4.1
120°F [48.9°C]	Total BTUH [kW]	44.8 [13.1]	43.6 [12.8]	42.8 [12.5]	40.6 [11.9]	39.6 [11.6]	38.8 [11.4]	37.4 [11.0]	36.4 [10.7]	35.7 [10.5]	36.3 [10.6]	35.3 [10.4]	34.6 [10.2]
	Sens BTUH [kW]	25.3 [7.4]	23.7 [6.9]	22.5 [6.6]	32.0 [9.4]	29.9 [8.8]	28.4 [8.3]	37.4 [11.0]	35.2 [10.3]	33.4 [9.8]	36.3 [10.6]	35.3 [10.4]	34.6 [10.2]
	Power	4.4	4.4	4.3	4.4	4.4	4.3	4.4	4.3	4.3	4.4	4.3	4.3
125°F [51.7°C]	Total BTUH [kW]	42.8 [12.5]	41.7 [12.2]	40.8 [12.0]	38.6 [11.3]	37.6 [11.0]	36.8 [10.8]	35.3 [10.4]	34.4 [10.1]	33.8 [9.9]	34.2 [10.0]	33.4 [9.8]	32.7 [9.6]
	Sens BTUH [kW]	24.2 [7.1]	22.6 [6.6]	21.5 [6.3]	30.8 [9.0]	28.9 [8.5]	27.4 [8.0]	35.3 [10.4]	34.1 [10.0]	32.4 [9.5]	34.2 [10.0]	33.4 [9.8]	32.7 [9.6]
	Power	4.7	4.6	4.6	4.7	4.6	4.6	4.7	4.6	4.6	4.7	4.6	4.5

DR —Depression ratio
 dbE —Entering air dry bulb
 wB/E—Entering air wetbulb

Total —Total capacity x 1000 BTUH
 Sens —Sensible capacity x 1000 BTUH
 Power—KW input

NOTES: ① When the entering air dry bulb is other than 80°F [27°C], adjust the sensible capacity from the table by adding [1.10 x CFM x (1 – DR) x (dbE – 80)].

[] Designates Metric Conversions

COOLING PERFORMANCE DATA — RACCZT060

		ENTERING INDOOR AIR @ 80°F [26.7°C] dbE ①														
		71°F [21.7°C]			67°F [19.4°C]			63°F [17.2°C]			61°F [16.1°C]			59°F [15.0°C]		
		2250 [1062]	1815 [857]	1750 [826]	2250 [1062]	1815 [857]	1750 [826]	2250 [1062]	1815 [857]	1750 [826]	2250 [1062]	1815 [857]	1750 [826]	2250 [1062]	1815 [857]	1750 [826]
		0.15	0.12	0.11	0.15	0.12	0.11	0.15	0.12	0.11	0.15	0.12	0.11	0.15	0.12	0.11
CFM [L/s]	wB/E															
DR ①																
75°F [23.9°C]	Total BTUH [kW]	76.1 [22.3]	72.9 [21.4]	72.5 [21.2]	71.7 [21.0]	68.2 [20.0]	67.7 [19.8]	64.4 [18.9]	64.9 [19.0]	64.4 [18.9]	66.0 [19.3]	63.2 [18.5]	62.8 [18.4]	64.6 [18.9]	61.9 [18.1]	61.5 [18.0]
	Sens BTUH [kW]	44.6 [13.1]	40.1 [11.7]	39.4 [11.6]	52.9 [15.5]	47.6 [13.9]	60.1 [17.6]	53.1 [15.6]	54.0 [15.8]	53.1 [15.6]	63.0 [18.5]	57.7 [16.6]	55.7 [16.3]	64.6 [18.9]	58.8 [17.2]	57.8 [16.9]
	Power	3.6	3.5	3.5	3.1	3.0	3.0	2.5	2.5	2.3	2.3	2.3	2.1	2.0	2.0	
80°F [26.7°C]	Total BTUH [kW]	74.2 [21.7]	71.1 [20.8]	70.6 [20.7]	69.7 [20.4]	66.4 [19.4]	65.7 [19.3]	62.6 [18.3]	63.0 [18.5]	62.6 [18.3]	64.0 [18.8]	61.4 [18.0]	61.0 [17.9]	62.6 [18.3]	60.0 [17.6]	59.6 [17.5]
	Sens BTUH [kW]	43.6 [12.8]	39.2 [11.5]	38.6 [11.3]	52.0 [15.2]	46.7 [13.7]	59.1 [17.3]	52.3 [15.3]	53.2 [15.6]	52.3 [15.3]	62.1 [18.2]	55.8 [16.4]	54.9 [16.1]	62.6 [18.3]	57.9 [17.0]	57.0 [16.7]
	Power	3.7	3.6	3.6	3.2	3.1	2.7	2.6	2.6	2.6	2.4	2.4	2.4	2.2	2.1	2.1
85°F [29.4°C]	Total BTUH [kW]	72.2 [21.1]	69.1 [20.3]	68.7 [20.1]	67.7 [19.8]	64.4 [18.9]	63.7 [19.0]	60.7 [17.8]	61.1 [17.9]	60.7 [17.8]	62.0 [18.2]	59.4 [17.4]	59.0 [17.3]	60.6 [17.8]	58.0 [17.0]	57.7 [16.9]
	Sens BTUH [kW]	42.6 [12.5]	38.3 [11.2]	37.7 [11.0]	50.9 [14.9]	45.8 [13.4]	58.1 [17.0]	51.4 [15.1]	52.3 [15.3]	51.4 [15.1]	61.1 [17.9]	54.9 [16.1]	54.0 [15.8]	60.6 [17.8]	57.0 [16.7]	56.1 [16.4]
	Power	3.9	3.8	3.8	3.4	3.3	2.9	2.8	2.8	2.8	2.6	2.6	2.6	2.4	2.3	2.3
90°F [32.2°C]	Total BTUH [kW]	70.1 [20.5]	67.2 [19.7]	66.7 [19.5]	65.6 [19.2]	62.5 [18.3]	61.6 [18.1]	58.7 [17.2]	59.1 [17.3]	58.7 [17.2]	59.9 [17.6]	57.4 [16.8]	57.1 [16.7]	58.5 [17.1]	56.1 [16.4]	55.7 [16.3]
	Sens BTUH [kW]	41.5 [12.2]	37.4 [10.9]	36.7 [10.8]	49.9 [14.6]	44.1 [12.9]	57.0 [16.7]	50.4 [14.8]	51.3 [15.0]	50.4 [14.8]	59.9 [17.6]	53.9 [15.8]	53.0 [15.5]	58.5 [17.1]	56.1 [16.4]	55.1 [16.2]
	Power	4.2	4.1	4.1	3.7	3.6	3.2	3.2	3.2	3.1	3.0	2.9	2.9	2.7	2.7	2.7
95°F [35.0°C]	Total BTUH [kW]	67.9 [19.9]	65.1 [19.1]	64.7 [19.0]	63.5 [18.6]	60.4 [17.7]	59.5 [17.4]	56.7 [16.6]	57.0 [16.7]	56.7 [16.6]	57.8 [16.9]	55.4 [16.2]	55.0 [16.1]	56.4 [16.5]	54.0 [15.8]	53.7 [15.7]
	Sens BTUH [kW]	40.4 [11.8]	36.3 [10.6]	35.7 [10.5]	48.7 [14.3]	43.1 [12.6]	55.9 [16.4]	49.4 [14.5]	50.3 [14.7]	49.4 [14.5]	57.8 [16.9]	52.9 [15.5]	52.0 [15.2]	56.4 [16.5]	54.0 [15.8]	53.7 [15.7]
	Power	4.6	4.6	4.5	4.1	4.0	3.6	3.6	3.6	3.6	3.4	3.3	3.3	3.1	3.1	3.1
100°F [37.8°C]	Total BTUH [kW]	65.8 [19.3]	63.0 [18.5]	62.6 [18.3]	61.3 [18.0]	58.3 [17.1]	57.3 [16.8]	54.6 [16.0]	54.9 [16.1]	54.6 [16.0]	55.6 [16.3]	53.3 [15.6]	53.0 [15.5]	54.2 [15.9]	51.9 [15.2]	51.6 [15.1]
	Sens BTUH [kW]	39.2 [11.5]	35.3 [10.3]	34.7 [10.2]	47.5 [13.9]	42.0 [12.3]	54.7 [16.0]	48.4 [14.2]	49.2 [14.4]	48.4 [14.2]	55.6 [16.3]	51.8 [15.2]	51.0 [14.9]	54.2 [15.9]	51.9 [15.2]	51.6 [15.1]
	Power	5.2	5.1	5.1	4.7	4.6	4.2	4.1	4.1	4.1	3.9	3.8	3.8	3.7	3.6	3.6
105°F [40.6°C]	Total BTUH [kW]	63.5 [18.6]	60.9 [17.8]	60.5 [17.7]	59.0 [17.3]	56.2 [16.5]	55.1 [16.1]	52.4 [15.4]	52.8 [15.5]	52.4 [15.4]	53.4 [15.6]	51.1 [15.0]	50.8 [14.9]	51.9 [15.2]	49.8 [14.6]	49.4 [14.5]
	Sens BTUH [kW]	37.9 [11.1]	34.1 [10.0]	33.5 [9.8]	46.3 [13.6]	40.9 [12.0]	53.4 [15.7]	47.3 [13.8]	48.1 [14.1]	47.3 [13.8]	53.4 [15.6]	50.7 [14.9]	49.9 [14.6]	51.9 [15.2]	49.8 [14.6]	49.4 [14.5]
	Power	5.8	5.7	5.7	5.3	5.2	4.8	4.7	4.7	4.7	4.5	4.5	4.4	4.3	4.2	4.2
110°F [43.3°C]	Total BTUH [kW]	61.2 [17.9]	58.6 [17.2]	58.3 [17.1]	56.7 [16.6]	54.0 [15.8]	52.8 [15.5]	50.6 [14.8]	50.6 [14.8]	50.2 [14.7]	51.1 [15.0]	48.9 [14.3]	48.6 [14.2]	49.6 [14.5]	47.6 [13.9]	47.2 [13.8]
	Sens BTUH [kW]	36.6 [10.7]	32.9 [9.6]	32.4 [9.5]	44.9 [13.2]	39.7 [11.6]	52.1 [15.3]	46.1 [13.5]	46.9 [13.7]	46.1 [13.5]	51.1 [15.0]	48.9 [14.3]	48.6 [14.2]	49.6 [14.5]	47.6 [13.9]	47.2 [13.8]
	Power	6.5	6.4	6.4	6.0	5.9	5.5	5.4	5.4	5.4	5.3	5.2	5.2	5.0	4.9	4.9
115°F [46.1°C]	Total BTUH [kW]	58.8 [17.2]	56.4 [16.5]	56.0 [16.4]	54.4 [15.9]	51.8 [15.2]	50.4 [14.8]	48.3 [14.2]	48.3 [14.2]	48.0 [14.1]	48.7 [14.3]	46.7 [13.7]	46.4 [13.6]	47.3 [13.8]	45.3 [13.3]	45.0 [13.2]
	Sens BTUH [kW]	35.2 [10.3]	31.7 [9.3]	31.1 [9.1]	43.5 [12.8]	38.5 [11.3]	50.4 [14.8]	44.8 [13.1]	45.6 [13.4]	44.8 [13.1]	48.7 [14.3]	46.7 [13.7]	46.4 [13.6]	47.3 [13.8]	45.3 [13.3]	45.0 [13.2]
	Power	7.4	7.2	7.2	6.9	6.7	6.4	6.2	6.2	6.2	6.1	6.0	6.0	5.9	5.7	5.7
120°F [48.9°C]	Total BTUH [kW]	56.4 [16.5]	54.1 [15.8]	53.7 [15.7]	51.9 [15.2]	49.5 [14.5]	48 [14.1]	46.3 [13.6]	46.0 [13.5]	45.7 [13.4]	46.3 [13.6]	44.3 [13.0]	44.1 [12.9]	44.8 [13.1]	43.0 [12.6]	42.7 [12.5]
	Sens BTUH [kW]	33.8 [9.9]	30.4 [8.9]	29.9 [8.7]	42.1 [12.3]	37.2 [10.9]	48 [14.1]	43.6 [12.8]	44.3 [13.0]	43.6 [12.8]	46.3 [13.6]	44.3 [13.0]	44.1 [12.9]	44.8 [13.1]	43.0 [12.6]	42.7 [12.5]
	Power	8.3	8.1	8.1	7.8	7.6	7.3	7.1	7.1	7.1	7.0	6.9	6.9	6.8	6.7	6.6
125°F [51.7°C]	Total BTUH [kW]	53.9 [15.8]	51.7 [15.1]	51.3 [15.0]	49.5 [14.5]	47.1 [13.8]	45.5 [13.3]	43.6 [12.8]	43.6 [12.8]	43.3 [12.7]	43.8 [12.8]	42.0 [12.3]	41.7 [12.2]	42.4 [12.4]	40.6 [11.9]	40.3 [11.8]
	Sens BTUH [kW]	32.2 [9.4]	29.0 [8.5]	28.5 [8.4]	40.6 [11.9]	35.9 [10.5]	45.5 [13.3]	42.2 [12.4]	42.9 [12.6]	42.2 [12.4]	43.8 [12.8]	42.0 [12.3]	41.7 [12.2]	42.4 [12.4]	40.6 [11.9]	40.3 [11.8]
	Power	9.3	9.1	9.1	8.8	8.7	8.3	8.2	8.2	8.1	8.1	7.9	7.9	7.8	7.7	7.6

DR —Depression ratio
 dbE —Entering air dry bulb
 wB/E—Entering air wetbulb

① When the entering air dry bulb is other than 80°F [27°C], adjust the sensible capacity from the table by adding [1.10 x CFM x (1 – DR) x (dbE – 80)].

— Total capacity x 1000 BTUH
 Sens —Sensible capacity x 1000 BTUH
 Power —KW input

[] Designates Metric Conversions

COOLING PERFORMANCE DATA — RACCZT072A

wB/E		ENTERING INDOOR AIR @ 80°F [26.7°C] dbE ①											
		71°F [21.7°C]		67°F [19.4°C]		63°F [17.2°C]		61°F [16.1°C]		59°F [15.0°C]			
CFM [L/s]	DR [L]	2700 [1274]	2395 [1130]	2100 [991]	2700 [1274]	2395 [1130]	2100 [991]	2700 [1274]	2395 [1130]	2100 [991]	2700 [1274]	2395 [1130]	2100 [991]
75°F [23.9°C]	Total BTUH [kW]	85.5 [25.0]	83.5 [24.5]	81.7 [23.9]	76.5 [22.4]	73.5 [21.5]	71.8 [21.1]	73.0 [21.4]	71.3 [20.9]	69.7 [20.4]	70.9 [20.8]	69.3 [20.3]	67.7 [19.8]
	Sens BTUH [kW]	51.4 [15.1]	48.5 [14.2]	45.8 [13.4]	53.4 [15.7]	64.4 [18.9]	60.7 [17.8]	72.2 [21.1]	68.1 [20.0]	64.2 [18.8]	70.9 [20.8]	69.3 [20.3]	67.6 [19.8]
	Power	4.2	4.2	4.1	4.2	4.1	4.1	4.1	4.1	4.1	4.1	4.1	4.0
80°F [26.7°C]	Total BTUH [kW]	83.9 [24.6]	82.0 [24.0]	80.2 [23.5]	76.7 [22.5]	75.0 [22.0]	73.3 [21.5]	73.6 [21.6]	71.4 [20.9]	69.8 [20.5]	71.4 [20.9]	69.3 [20.3]	66.2 [19.4]
	Sens BTUH [kW]	50.7 [14.9]	47.9 [14.0]	45.1 [13.2]	59.4 [17.4]	56.0 [16.4]	52.8 [15.5]	67.6 [19.8]	63.8 [18.7]	60.1 [17.6]	63.6 [18.6]	61.9 [18.1]	66.2 [19.4]
	Power	4.5	4.4	4.4	4.4	4.4	4.3	4.6	4.4	4.3	4.4	4.3	4.3
85°F [29.4°C]	Total BTUH [kW]	82.2 [24.1]	80.3 [23.5]	78.5 [23.0]	76.7 [22.5]	75.0 [22.0]	73.3 [21.5]	71.9 [21.1]	69.6 [20.4]	68.1 [19.9]	69.6 [20.4]	67.6 [19.8]	64.6 [18.9]
	Sens BTUH [kW]	49.9 [14.6]	47.1 [13.8]	44.4 [13.0]	58.5 [17.2]	55.2 [16.2]	52.1 [15.3]	66.7 [19.5]	63.0 [18.5]	59.3 [17.4]	62.8 [18.4]	61.9 [18.1]	66.0 [19.3]
	Power	4.7	4.7	4.6	4.7	4.6	4.6	4.7	4.6	4.6	4.5	4.6	4.5
90°F [32.2°C]	Total BTUH [kW]	80.2 [23.5]	78.4 [23.0]	76.6 [22.5]	74.8 [21.9]	73.1 [21.4]	71.5 [20.9]	69.9 [20.5]	67.7 [19.8]	66.2 [19.4]	67.7 [19.8]	65.6 [19.2]	62.7 [18.4]
	Sens BTUH [kW]	48.9 [14.3]	46.1 [13.5]	43.5 [12.7]	57.5 [16.9]	54.3 [15.9]	51.2 [15.0]	65.7 [19.3]	62.0 [18.2]	58.4 [17.1]	61.9 [18.1]	60.9 [17.8]	64.1 [18.8]
	Power	5.0	4.9	4.9	5.0	4.9	4.9	4.9	4.9	4.8	4.8	4.9	4.8
95°F [35°C]	Total BTUH [kW]	78.0 [22.9]	76.3 [22.4]	74.6 [21.9]	72.6 [21.3]	71.0 [20.8]	69.4 [20.3]	67.8 [19.9]	65.5 [19.2]	64.0 [18.8]	65.5 [19.2]	63.4 [18.6]	60.6 [17.8]
	Sens BTUH [kW]	47.7 [14.0]	45.0 [13.2]	42.4 [12.4]	56.3 [16.5]	53.2 [15.6]	50.1 [14.7]	64.5 [18.9]	60.9 [17.8]	57.4 [16.8]	60.9 [17.8]	58.4 [17.1]	62.0 [18.2]
	Power	5.3	5.2	5.2	5.3	5.2	5.1	5.2	5.2	5.1	5.2	5.1	5.1
100°F [37.8°C]	Total BTUH [kW]	75.7 [22.2]	74.0 [21.7]	72.3 [21.2]	70.3 [20.6]	68.7 [20.1]	67.1 [19.7]	65.4 [19.2]	63.2 [18.5]	61.7 [18.1]	63.2 [18.5]	61.1 [17.9]	58.4 [17.1]
	Sens BTUH [kW]	46.4 [13.6]	43.8 [12.8]	41.3 [12.1]	55.0 [16.1]	51.9 [15.2]	48.9 [14.3]	63.2 [18.5]	59.6 [17.5]	56.2 [16.5]	59.7 [17.5]	57.9 [17.0]	55.9 [16.4]
	Power	5.6	5.5	5.5	5.6	5.5	5.4	5.5	5.5	5.4	5.5	5.5	5.4
105°F [40.6°C]	Total BTUH [kW]	73.1 [21.4]	71.5 [20.9]	69.9 [20.5]	67.7 [19.8]	66.2 [19.4]	64.7 [19.0]	62.8 [18.4]	60.6 [17.8]	59.2 [17.4]	60.6 [17.8]	58.5 [17.1]	55.9 [16.4]
	Sens BTUH [kW]	44.9 [13.1]	42.4 [12.4]	39.9 [11.7]	53.5 [15.7]	50.5 [14.8]	47.6 [13.9]	61.7 [18.1]	58.2 [17.1]	54.9 [16.1]	57.9 [17.0]	55.5 [16.3]	53.9 [15.6]
	Power	5.9	5.9	5.8	5.9	5.8	5.8	5.9	5.9	5.8	5.7	5.8	5.7
110°F [43.3°C]	Total BTUH [kW]	70.3 [20.6]	68.8 [20.1]	67.2 [19.7]	64.9 [19.0]	63.5 [18.6]	62.0 [18.2]	60.1 [17.6]	57.8 [16.9]	56.5 [16.6]	57.8 [16.9]	55.7 [16.3]	53.3 [15.6]
	Sens BTUH [kW]	43.2 [12.7]	40.8 [12.0]	38.4 [11.3]	51.8 [15.2]	48.9 [14.3]	46.1 [13.5]	60.0 [17.6]	56.7 [16.6]	53.4 [15.6]	55.2 [16.2]	52.7 [15.5]	51.6 [15.1]
	Power	6.3	6.2	6.1	6.2	6.2	6.1	6.1	6.2	6.1	6.1	6.2	6.1
115°F [46.1°C]	Total BTUH [kW]	67.4 [19.7]	65.8 [19.3]	64.4 [18.9]	61.9 [18.2]	60.5 [17.7]	59.2 [17.3]	57.1 [16.7]	54.8 [16.1]	53.6 [15.7]	54.8 [16.1]	52.8 [15.5]	50.4 [14.8]
	Sens BTUH [kW]	41.4 [12.1]	39.1 [11.4]	36.8 [10.8]	50.0 [14.7]	47.2 [13.8]	44.5 [13.0]	57.1 [16.7]	54.8 [16.1]	51.8 [15.2]	52.4 [15.4]	50.4 [14.8]	48.5 [14.2]
	Power	6.6	6.6	6.5	6.6	6.5	6.5	6.6	6.6	6.5	6.4	6.6	6.4
120°F [48.9°C]	Total BTUH [kW]	64.2 [18.8]	62.7 [18.4]	61.3 [18.0]	58.8 [17.2]	57.4 [16.8]	56.2 [16.5]	53.9 [15.8]	51.7 [15.1]	50.5 [14.8]	49.4 [14.5]	48.5 [14.2]	47.4 [13.9]
	Sens BTUH [kW]	39.4 [11.5]	37.2 [10.9]	35.1 [10.3]	48.0 [14.1]	45.4 [13.3]	42.7 [12.5]	53.9 [15.8]	51.7 [15.1]	50.5 [14.8]	49.4 [14.5]	48.5 [14.2]	47.4 [13.9]
	Power	7.0	6.9	6.9	7.0	6.9	6.8	7.0	7.0	6.9	6.8	6.9	6.8
125°F [51.7°C]	Total BTUH [kW]	60.8 [17.8]	59.4 [17.4]	58.1 [17.0]	55.4 [16.2]	54.1 [15.9]	52.9 [15.5]	50.5 [14.8]	48.3 [14.2]	47.2 [13.8]	46.1 [13.5]	45.2 [13.2]	44.1 [12.9]
	Sens BTUH [kW]	37.3 [10.9]	35.2 [10.3]	33.2 [9.7]	45.9 [13.5]	43.3 [12.7]	40.8 [12.0]	50.5 [14.8]	48.3 [14.2]	47.2 [13.8]	46.1 [13.5]	45.2 [13.2]	44.1 [12.9]
	Power	7.4	7.3	7.3	7.4	7.3	7.2	7.4	7.4	7.3	7.2	7.3	7.2

DR —Depression ratio
 dbE —Entering air dry bulb
 wB/E —Entering air wetbulb

Total —Total capacity x 1000 BTUH
 Sens —Sensible capacity x 1000 BTUH
 Power —KW input

NOTES: ① When the entering air dry bulb is other than 80°F [27°C], adjust the sensible capacity from the table by adding [1.10 x CFM x (1 – DR) x (dbE – 80)].

[] Designates Metric Conversions

GROSS SYSTEMS PERFORMANCE DATA (HIGH REHEAT MODE)—RACCZR036

ENTERING INDOOR AIR @ 75°F [23.9°C] dbE											
wbE			65.3°F [18.5°C]			64°F [17.8°C]			62.5°F [16.9°C]		
CFM [L/s]			1350 [637]	1200 [566]	1050 [496]	1350 [637]	1200 [566]	1050 [496]	1350 [637]	1200 [566]	1050 [496]
OUTDOOR DRY BULB TEMPERATURE °F [°C]	60°F [15.6°C]	Total BTUH [kW]	20.5 [6.0]	20.0 [5.9]	19.6 [5.7]	20.1 [5.9]	19.6 [5.7]	19.2 [5.6]	18.9 [5.5]	18.4 [5.4]	18.0 [5.3]
		Sens BTUH [kW]	4.8 [1.4]	4.6 [1.3]	4.3 [1.3]	7.5 [2.2]	7.1 [2.1]	6.6 [1.9]	10.7 [3.1]	10.1 [3.0]	9.5 [2.8]
		Power	2.0	2.0	1.9	2.0	2.0	1.9	2.0	2.0	1.9
	70°F [21.1°C]	Total BTUH [kW]	19.6 [5.7]	19.1 [5.6]	18.7 [5.5]	19.1 [5.6]	18.7 [5.5]	18.3 [5.4]	17.9 [5.3]	17.5 [5.1]	17.1 [5.0]
		Sens BTUH [kW]	4.0 [1.2]	3.8 [1.1]	3.5 [1.0]	6.6 [1.9]	6.2 [1.8]	5.9 [1.7]	9.8 [2.9]	9.3 [2.7]	8.7 [2.6]
		Power	2.0	2.0	2.0	2.0	2.0	2.0	2.0	2.0	2.0
	80°F [26.7°C]	Total BTUH [kW]	18.3 [5.4]	17.9 [5.2]	17.5 [5.1]	17.9 [5.2]	17.5 [5.1]	17.1 [5.0]	16.7 [4.9]	16.3 [4.8]	16.0 [4.7]
Sens BTUH [kW]		2.9 [0.8]	2.7 [0.8]	2.6 [0.7]	5.5 [1.6]	5.2 [1.5]	4.9 [1.4]	8.7 [2.5]	8.2 [2.4]	7.7 [2.3]	
Power		2.1	2.1	2.1	2.1	2.1	2.0	2.1	2.1	2.1	
90°F [32.2°C]	Total BTUH [kW]	16.8 [4.9]	16.4 [4.8]	16.0 [4.7]	16.3 [4.8]	16.0 [4.7]	15.6 [4.6]	15.1 [4.4]	14.8 [4.3]	14.5 [4.2]	
	Sens BTUH [kW]	1.5 [0.4]	1.4 [0.4]	1.3 [0.4]	4.1 [1.2]	3.9 [1.1]	3.7 [1.1]	7.3 [2.1]	6.9 [2.0]	6.5 [1.9]	
	Power	2.3	2.2	2.2	2.2	2.2	2.2	2.3	2.2	2.2	
100°F [37.8°C]	Total BTUH [kW]	14.9 [4.4]	14.6 [4.3]	14.2 [4.2]	14.5 [4.2]	14.2 [4.1]	13.8 [4.1]	13.3 [3.9]	13.0 [3.8]	12.7 [3.7]	
	Sens BTUH [kW]	-0.1 [0.0]	-0.1 [0.0]	-0.1 [0.0]	2.5 [0.7]	2.4 [0.7]	2.3 [0.7]	5.7 [1.7]	5.4 [1.6]	5.1 [1.5]	
	Power	2.5	2.5	2.4	2.5	2.4	2.4	2.5	2.4	2.4	
110°F [43.3°C]	Total BTUH [kW]	12.7 [3.7]	12.4 [3.6]	12.2 [3.6]	12.3 [3.6]	12.0 [3.5]	11.8 [3.4]	11.1 [3.3]	10.9 [3.2]	10.6 [3.1]	
	Sens BTUH [kW]	-1.9 [-0.6]	-1.8 [-0.5]	-1.7 [-0.5]	0.7 [0.2]	0.6 [0.2]	0.6 [0.2]	3.9 [1.1]	3.7 [1.1]	3.5 [1.0]	
	Power	2.8	2.7	2.7	2.8	2.7	2.7	2.8	2.7	2.7	
120°F [48.9°C]	Total BTUH [kW]	10.2 [3.0]	10.0 [2.9]	9.8 [2.9]	9.8 [2.9]	9.6 [2.8]	9.4 [2.7]	8.6 [2.5]	8.4 [2.5]	8.2 [2.4]	
	Sens BTUH [kW]	-4.0 [-1.2]	-3.8 [-1.1]	-3.6 [-1.0]	-1.4 [-0.4]	-1.3 [-0.4]	-1.3 [-0.4]	1.8 [0.5]	1.7 [0.5]	1.6 [0.5]	
	Power	3.1	3.1	3.0	3.1	3.1	3.0	3.1	3.1	3.0	

GROSS SYSTEMS PERFORMANCE DATA (HIGH REHEAT MODE)—RACCZR048

ENTERING INDOOR AIR @ 75°F [23.9°C] dbE											
wbE			65.3°F [18.5°C]			64°F [17.8°C]			62.5°F [16.9°C]		
CFM [L/s]			1800 [850]	1600 [755]	1400 [661]	1800 [850]	1600 [755]	1400 [661]	1800 [850]	1600 [755]	1400 [661]
OUTDOOR DRY BULB TEMPERATURE °F [°C]	60°F [15.6°C]	Total BTUH [kW]	29.2 [8.5]	28.5 [8.4]	27.9 [8.2]	30.1 [8.8]	29.5 [8.6]	28.8 [8.4]	29.3 [8.6]	28.7 [8.4]	28.0 [8.2]
		Sens BTUH [kW]	9.4 [2.8]	8.9 [2.6]	8.4 [2.5]	12.9 [3.8]	12.2 [3.6]	11.5 [3.4]	15.2 [4.4]	14.3 [4.2]	13.5 [4.0]
		Power	2.4	2.4	2.3	2.4	2.4	2.3	2.4	2.3	2.3
	70°F [21.1°C]	Total BTUH [kW]	27.8 [8.1]	27.2 [8.0]	26.5 [7.8]	28.8 [8.4]	28.1 [8.2]	27.5 [8.1]	27.9 [8.2]	27.3 [8.0]	26.7 [7.8]
		Sens BTUH [kW]	7.7 [2.3]	7.3 [2.1]	6.8 [2.0]	11.2 [3.3]	10.6 [3.1]	9.9 [2.9]	13.4 [3.9]	12.7 [3.7]	12.0 [3.5]
		Power	2.5	2.5	2.5	2.5	2.5	2.4	2.5	2.5	2.4
	80°F [26.7°C]	Total BTUH [kW]	25.9 [7.6]	25.3 [7.4]	24.7 [7.2]	26.9 [7.9]	26.3 [7.7]	25.7 [7.5]	26.0 [7.6]	25.5 [7.5]	24.9 [7.3]
Sens BTUH [kW]		5.7 [1.7]	5.4 [1.6]	5.0 [1.5]	9.2 [2.7]	8.7 [2.5]	8.2 [2.4]	11.4 [3.3]	10.8 [3.2]	10.2 [3.0]	
Power		2.7	2.7	2.6	2.7	2.7	2.6	2.7	2.7	2.6	
90°F [32.2°C]	Total BTUH [kW]	23.5 [6.9]	23.0 [6.7]	22.4 [6.6]	24.5 [7.2]	23.9 [7.0]	23.4 [6.9]	23.7 [6.9]	23.1 [6.8]	22.6 [6.6]	
	Sens BTUH [kW]	3.4 [1.0]	3.2 [0.9]	3.0 [0.9]	6.9 [2.0]	6.5 [1.9]	6.1 [1.8]	9.1 [2.7]	8.6 [2.5]	8.1 [2.4]	
	Power	3.0	3.0	2.9	3.0	2.9	2.9	3.0	2.9	2.9	
100°F [37.8°C]	Total BTUH [kW]	20.6 [6.0]	20.1 [5.9]	19.7 [5.8]	21.6 [6.3]	21.1 [6.2]	20.6 [6.0]	20.8 [6.1]	20.3 [5.9]	19.8 [5.8]	
	Sens BTUH [kW]	0.8 [0.2]	0.7 [0.2]	0.7 [0.2]	4.3 [1.3]	4.0 [1.2]	3.8 [1.1]	6.5 [1.9]	6.2 [1.8]	5.8 [1.7]	
	Power	3.4	3.3	3.3	3.3	3.3	3.3	3.3	3.3	3.3	
110°F [43.3°C]	Total BTUH [kW]	17.2 [5.0]	16.8 [4.9]	16.4 [4.8]	18.2 [5.3]	17.8 [5.2]	17.4 [5.1]	17.4 [5.1]	17.0 [5.0]	16.6 [4.9]	
	Sens BTUH [kW]	-2.1 [-0.6]	-2.0 [-0.6]	-1.9 [-0.5]	1.4 [0.4]	1.3 [0.4]	1.2 [0.4]	3.7 [1.1]	3.5 [1.0]	3.3 [1.0]	
	Power	3.8	3.8	3.7	3.8	3.8	3.7	3.8	3.7	3.7	
120°F [48.9°C]	Total BTUH [kW]	13.3 [3.9]	13.0 [3.8]	12.7 [3.7]	14.3 [4.2]	14.0 [4.1]	13.7 [4.0]	13.5 [3.9]	13.2 [3.9]	12.9 [3.8]	
	Sens BTUH [kW]	-5.3 [-1.5]	-5.0 [-1.5]	-4.7 [-1.4]	-1.8 [-0.5]	-1.7 [-0.5]	-1.6 [-0.5]	0.5 [0.1]	0.5 [0.1]	0.4 [0.1]	
	Power	4.4	4.3	4.3	4.3	4.3	4.2	4.3	4.3	4.2	

DR —Depression ratio
dbE—Entering air dry bulb
wbE—Entering air wet bulb

Total —Total capacity x 1000 BTUH
Sens —Sensible capacity x 1000 BTUH
Power —KW input

NOTES: ① When the entering air dry bulb is other than 75°F [23.9°C], adjust the sensible capacity from the table by adding [1.10 x CFM x (1 - DR) x (dbE - 80)].

[] Designates Metric Conversions

GROSS SYSTEMS PERFORMANCE DATA (HIGH REHEAT MODE) – RACCZR060

ENTERING INDOOR AIR @ 75°F [23.9°C] dbE											
wbE		65.3°F [18.5°C]			64°F [17.8°C]			62.5°F [16.9°C]			
CFM [L/s]		2250 [1062]	2000 [944]	1750 [826]	2250 [1062]	2000 [944]	1750 [826]	2250 [1062]	2000 [944]	1750 [826]	
OUTDOOR DRY BULB TEMPERATURE °F [°C]	60°F [15.6°C]	Total BTUH [kW]	36.4 [10.7]	35.6 [10.4]	34.8 [10.2]	35.1 [10.3]	34.4 [10.1]	33.6 [9.8]	34.3 [10.1]	33.6 [9.8]	32.8 [9.6]
		Sens BTUH [kW]	9.9 [2.9]	9.4 [2.7]	8.8 [2.6]	14.0 [4.1]	13.2 [3.9]	12.4 [3.6]	16.6 [4.9]	15.7 [4.6]	14.8 [4.3]
		Power	3.5	3.4	3.4	3.5	3.4	3.4	3.5	3.4	3.4
	70°F [21.1°C]	Total BTUH [kW]	34.4 [10.1]	33.6 [9.8]	32.8 [9.6]	33.1 [9.7]	32.4 [9.5]	31.7 [9.3]	32.3 [9.5]	31.6 [9.3]	30.9 [9.0]
		Sens BTUH [kW]	8.2 [2.4]	7.8 [2.3]	7.3 [2.2]	12.3 [3.6]	11.6 [3.4]	10.9 [3.2]	14.9 [4.4]	14.1 [4.1]	13.3 [3.9]
		Power	3.6	3.5	3.5	3.6	3.5	3.5	3.6	3.5	3.5
	80°F [26.7°C]	Total BTUH [kW]	31.7 [9.3]	31.0 [9.1]	30.3 [8.9]	30.5 [8.9]	29.8 [8.7]	29.2 [8.5]	29.7 [8.7]	29.0 [8.5]	28.4 [8.3]
Sens BTUH [kW]		6.1 [1.8]	5.7 [1.7]	5.4 [1.6]	10.1 [3.0]	9.5 [2.8]	9.0 [2.6]	12.7 [3.7]	12.0 [3.5]	11.3 [3.3]	
Power		3.8	3.7	3.7	3.8	3.7	3.7	3.8	3.7	3.7	
90°F [32.2°C]	Total BTUH [kW]	28.5 [8.4]	27.9 [8.2]	27.3 [8.0]	27.3 [8.0]	26.7 [7.8]	26.1 [7.6]	26.5 [7.8]	25.9 [7.6]	25.3 [7.4]	
	Sens BTUH [kW]	3.4 [1.0]	3.2 [0.9]	3.0 [0.9]	7.4 [2.2]	7.0 [2.0]	6.6 [1.9]	10.0 [2.9]	9.5 [2.8]	8.9 [2.6]	
	Power	4.1	4.0	4.0	4.1	4.0	4.0	4.1	4.0	4.0	
100°F [37.8°C]	Total BTUH [kW]	24.8 [7.3]	24.2 [7.1]	23.7 [6.9]	23.5 [6.9]	23.0 [6.7]	22.5 [6.6]	22.7 [6.7]	22.2 [6.5]	21.7 [6.4]	
	Sens BTUH [kW]	0.1 [0.0]	0.1 [0.0]	0.1 [0.0]	4.2 [1.2]	3.9 [1.2]	3.7 [1.1]	6.8 [2.0]	6.4 [1.9]	6.1 [1.8]	
	Power	4.5	4.4	4.4	4.5	4.4	4.4	4.5	4.4	4.4	
110°F [43.3°C]	Total BTUH [kW]	20.4 [6.0]	19.9 [5.8]	19.5 [5.7]	19.2 [5.6]	18.7 [5.5]	18.3 [5.4]	18.3 [5.4]	17.9 [5.3]	17.5 [5.1]	
	Sens BTUH [kW]	-3.6 [-1.0]	-3.4 [-1.0]	-3.2 [-0.9]	0.4 [0.1]	0.4 [0.1]	0.4 [0.1]	3.1 [0.9]	2.9 [0.9]	2.8 [0.8]	
	Power	5.0	4.9	4.9	5.0	4.9	4.9	5.0	4.9	4.9	
120°F [48.9°C]	Total BTUH [kW]	15.4 [4.5]	15.1 [4.4]	14.8 [4.3]	14.2 [4.2]	13.9 [4.1]	13.6 [4.0]	13.4 [3.9]	13.1 [3.8]	12.8 [3.8]	
	Sens BTUH [kW]	-7.8 [-2.3]	-7.4 [-2.2]	-7.0 [-2.0]	-3.8 [-1.1]	-3.6 [-1.0]	-3.4 [-1.0]	-1.1 [-0.3]	-1.1 [-0.3]	-1.0 [-0.3]	
	Power	5.6	5.5	5.5	5.6	5.5	5.5	5.6	5.6	5.5	

DR —Depression ratio
dbE —Entering air dry bulb
wbE —Entering air wet bulb

Total —Total capacity x 1000 BTUH
Sens —Sensible capacity x 1000 BTUH
Power —KW input

NOTES: ① When the entering air dry bulb is other than 75°F [23.9°C], adjust the sensible capacity from the table by adding [1.10 x CFM x (1 – DR) x (dbE – 80)].

[] Designates Metric Conversions

GROSS SYSTEMS PERFORMANCE DATA (LOW REHEAT MODE) – RACCZT036 REHEAT

		ENTERING INDOOR AIR @ 75°F [23.9°C] dbE									
wbE		65.3°F [18.5°C]			64°F [17.8°C]			62.5°F [16.9°C]			
CFM [L/s]		1200 [566]	1050 [496]	850 [401]	1200 [566]	1050 [496]	850 [401]	1200 [566]	1050 [496]	850 [401]	
OUTDOOR DRY BULB TEMPERATURE °F [°C]	60°F [15.6°C]	Total BTUH [kW] Sens BTUH [kW] Power	15.3 [4.5] 5.1 [1.5] 1.1	14.9 [4.4] 4.8 [1.4] 1.1	14.4 [4.2] 4.4 [1.3] 1.1	14.7 [4.3] 6.5 [1.9] 1.1	14.3 [4.2] 6.1 [1.8] 1.1	13.8 [4.1] 5.5 [1.6] 1.1	14.0 [4.1] 8.1 [2.4] 1.1	13.7 [4.0] 7.6 [2.2] 1.1	13.2 [3.9] 7.0 [2.0] 1.1
	70°F [21.1°C]	Total BTUH [kW] Sens BTUH [kW] Power	15.1 [4.4] 5.3 [1.6] 1.2	14.7 [4.3] 5.0 [1.5] 1.2	14.2 [4.2] 4.6 [1.3] 1.1	14.5 [4.3] 6.7 [2.0] 1.2	14.2 [4.2] 6.3 [1.8] 1.2	13.7 [4.0] 5.7 [1.7] 1.1	13.8 [4.1] 8.4 [2.5] 1.2	13.5 [4.0] 7.8 [2.3] 1.2	13.0 [3.8] 7.1 [2.1] 1.1
	80°F [26.7°C]	Total BTUH [kW] Sens BTUH [kW] Power	14.6 [4.3] 5.1 [1.5] 1.3	14.3 [4.2] 4.8 [1.4] 1.2	13.8 [4.0] 4.4 [1.3] 1.2	14.1 [4.1] 6.5 [1.9] 1.3	13.7 [4.0] 6.1 [1.8] 1.2	13.3 [3.9] 5.5 [1.6] 1.2	13.4 [3.9] 8.2 [2.4] 1.3	13.1 [3.8] 7.6 [2.2] 1.2	12.6 [3.7] 7.0 [2.0] 1.2
	90°F [32.2°C]	Total BTUH [kW] Sens BTUH [kW] Power	13.9 [4.1] 4.5 [1.3] 1.4	13.6 [4.0] 4.2 [1.2] 1.3	13.1 [3.8] 3.8 [1.1] 1.3	13.3 [3.9] 5.9 [1.7] 1.4	13.0 [3.8] 5.5 [1.6] 1.3	12.6 [3.7] 5.0 [1.5] 1.3	12.7 [3.7] 7.5 [2.2] 1.4	12.3 [3.6] 7.1 [2.1] 1.3	11.9 [3.5] 6.4 [1.9] 1.3
	100°F [37.8°C]	Total BTUH [kW] Sens BTUH [kW] Power	12.9 [3.8] 3.5 [1.0] 1.5	12.6 [3.7] 3.3 [1.0] 1.4	12.1 [3.6] 3.0 [0.9] 1.4	12.3 [3.6] 4.8 [1.4] 1.5	12.0 [3.5] 4.5 [1.3] 1.5	11.6 [3.4] 4.1 [1.2] 1.4	11.6 [3.4] 6.5 [1.9] 1.5	11.3 [3.3] 6.1 [1.8] 1.4	10.9 [3.2] 5.6 [1.6] 1.4
	110°F [43.3°C]	Total BTUH [kW] Sens BTUH [kW] Power	11.6 [3.4] 2.0 [0.6] 1.6	11.3 [3.3] 1.9 [0.6] 1.6	10.9 [3.2] 1.7 [0.5] 1.5	11.0 [3.2] 3.4 [1.0] 1.6	10.7 [3.1] 3.2 [0.9] 1.6	10.4 [3.0] 2.9 [0.8] 1.5	10.3 [3.0] 5.1 [1.5] 1.6	10.1 [2.9] 4.7 [1.4] 1.6	9.7 [2.8] 4.3 [1.3] 1.5
	120°F [48.9°C]	Total BTUH [kW] Sens BTUH [kW] Power	10.0 [2.9] 0.1 [0.0] 1.7	9.7 [2.9] 0.1 [0.0] 1.7	9.4 [2.8] 0.1 [0.0] 1.7	9.4 [2.8] 1.5 [0.4] 1.7	9.2 [2.7] 1.4 [0.4] 1.7	8.9 [2.6] 1.3 [0.4] 1.7	8.7 [2.6] 3.2 [0.9] 1.7	8.5 [2.5] 3.0 [0.9] 1.7	8.2 [2.4] 2.7 [0.8] 1.7

GROSS SYSTEMS PERFORMANCE DATA (HIGH REHEAT MODE) – RACCZT036 REHEAT

		ENTERING INDOOR AIR @ 75°F [23.9°C] dbE									
wbE		65.3°F [18.5°C]			64°F [17.8°C]			62.5°F [16.9°C]			
CFM [L/s]		1500 [708]	1260 [595]	1100 [519]	1500 [708]	1260 [595]	1100 [519]	1500 [708]	1260 [595]	1100 [519]	
OUTDOOR DRY BULB TEMPERATURE °F [°C]	60°F [15.6°C]	Total BTUH [kW] Sens BTUH [kW] Power	22.1 [6.5] 6.0 [1.8] 1.7	21.4 [6.3] 5.5 [1.6] 1.7	20.9 [6.1] 5.2 [1.5] 1.7	21.5 [6.3] 7.9 [2.3] 1.8	20.7 [6.1] 7.2 [2.1] 1.8	20.3 [5.9] 6.8 [2.0] 1.7	21.3 [6.2] 10.6 [3.1] 1.8	20.6 [6.0] 9.8 [2.9] 1.8	20.1 [5.9] 9.2 [2.7] 1.8
	70°F [21.1°C]	Total BTUH [kW] Sens BTUH [kW] Power	20.4 [6.0] 4.6 [1.3] 1.8	19.7 [5.8] 4.2 [1.2] 1.8	19.3 [5.6] 4.0 [1.2] 1.8	19.8 [5.8] 6.4 [1.9] 1.9	19.1 [5.6] 5.9 [1.7] 1.9	18.7 [5.5] 5.6 [1.6] 1.9	19.6 [5.7] 9.2 [2.7] 1.9	18.9 [5.6] 8.4 [2.5] 1.9	18.5 [5.4] 7.9 [2.3] 1.9
	80°F [26.7°C]	Total BTUH [kW] Sens BTUH [kW] Power	18.4 [5.4] 2.8 [0.8] 2.0	17.8 [5.2] 2.6 [0.7] 2.0	17.4 [5.1] 2.4 [0.7] 2.0	17.7 [5.2] 4.6 [1.4] 2.1	17.1 [5.0] 4.2 [1.2] 2.1	16.8 [4.9] 4.0 [1.2] 2.0	17.6 [5.1] 7.4 [2.2] 2.1	17.0 [5.0] 6.8 [2.0] 2.1	16.6 [4.9] 6.4 [1.9] 2.1
	90°F [32.2°C]	Total BTUH [kW] Sens BTUH [kW] Power	16.0 [4.7] 0.6 [0.2] 2.2	15.4 [4.5] 0.5 [0.2] 2.2	15.1 [4.4] 0.5 [0.1] 2.2	15.3 [4.5] 2.4 [0.7] 2.3	14.8 [4.3] 2.2 [0.6] 2.3	14.5 [4.2] 2.1 [0.6] 2.3	15.2 [4.4] 5.2 [1.5] 2.3	14.6 [4.3] 4.8 [1.4] 2.3	14.3 [4.2] 4.5 [1.3] 2.3
	100°F [37.8°C]	Total BTUH [kW] Sens BTUH [kW] Power	13.2 [3.9] -2.0 [-0.6] 2.5	12.8 [3.7] -1.8 [-0.5] 2.5	12.5 [3.7] -1.7 [-0.5] 2.4	12.6 [3.7] -0.2 [-0.1] 2.6	12.1 [3.6] -0.2 [0.0] 2.5	11.9 [3.5] -0.2 [0.0] 2.5	12.4 [3.6] 2.6 [0.8] 2.6	12.0 [3.5] 2.4 [0.7] 2.6	11.7 [3.4] 2.2 [0.7] 2.5
	110°F [43.3°C]	Total BTUH [kW] Sens BTUH [kW] Power	10.1 [3.0] -5.0 [-1.5] 2.8	9.7 [2.9] -4.6 [-1.3] 2.8	9.5 [2.8] -4.3 [-1.3] 2.7	9.4 [2.8] -3.1 [-0.9] 2.9	9.1 [2.7] -2.9 [-0.8] 2.8	8.9 [2.6] -2.7 [-0.8] 2.8	9.3 [2.7] -0.4 [-0.1] 2.9	8.9 [2.6] -0.4 [-0.1] 2.9	8.7 [2.6] -0.3 [-0.1] 2.8
	120°F [48.9°C]	Total BTUH [kW] Sens BTUH [kW] Power	6.6 [1.9] -8.3 [-2.4] 3.1	6.4 [1.9] -7.7 [-2.2] 3.1	6.2 [1.8] -7.2 [-2.1] 3.1	5.9 [1.7] -6.5 [-1.9] 3.2	5.7 [1.7] -6.0 [-1.8] 3.2	5.6 [1.6] -5.6 [-1.6] 3.1	5.8 [1.7] -3.8 [-1.1] 3.2	5.6 [1.6] -3.4 [-1.0] 3.2	5.4 [1.6] -3.2 [-1.0] 3.2

DR —Depression ratio
dbE —Entering air dry bulb
wbE—Entering air wet bulb

Total —Total capacity x 1000 BTUH
Sens —Sensible capacity x 1000 BTUH
Power —KW input

NOTES: ① When the entering air dry bulb is other than 75°F [23.9°C], adjust the sensible capacity from the table by adding [1.10 x CFM x (1 – DR) x (dbE – 80)].

[] Designates Metric Conversions

GROSS SYSTEMS PERFORMANCE DATA (LOW REHEAT MODE) – RACCZT048 REHEAT

		ENTERING INDOOR AIR @ 75°F [23.9°C] dbE									
wbE		65.3°F [18.5°C]			64°F [17.8°C]			62.5°F [16.9°C]			
CFM [L/s]		1200 [566]	1050 [496]	850 [401]	1200 [566]	1050 [496]	850 [401]	1200 [566]	1050 [496]	850 [401]	
OUTDOOR DRY BULB TEMPERATURE °F [°C]	60°F [15.6°C]	Total BTUH [kW] Sens BTUH [kW] Power	18.9 [5.6] 4.2 [1.2] 1.6	18.5 [5.4] 3.9 [1.2] 1.6	17.8 [5.2] 3.6 [1.1] 1.6	18.1 [5.3] 5.7 [1.7] 1.6	17.6 [5.2] 5.4 [1.6] 1.6	17.0 [5.0] 4.9 [1.4] 1.6	17.1 [5.0] 7.6 [2.2] 1.6	16.6 [4.9] 7.1 [2.1] 1.6	16.1 [4.7] 6.5 [1.9] 1.6
	70°F [21.1°C]	Total BTUH [kW] Sens BTUH [kW] Power	19.2 [5.6] 4.9 [1.4] 1.6	18.7 [5.5] 4.6 [1.3] 1.6	18.1 [5.3] 4.2 [1.2] 1.6	18.3 [5.4] 6.4 [1.9] 1.6	17.9 [5.2] 6.0 [1.8] 1.6	17.3 [5.1] 5.5 [1.6] 1.6	17.3 [5.1] 8.3 [2.4] 1.6	16.9 [5.0] 7.8 [2.3] 1.6	16.3 [4.8] 7.1 [2.1] 1.6
	80°F [26.7°C]	Total BTUH [kW] Sens BTUH [kW] Power	19.1 [5.6] 5.0 [1.5] 1.7	18.6 [5.4] 4.7 [1.4] 1.6	17.9 [5.3] 4.3 [1.3] 1.6	18.2 [5.3] 6.5 [1.9] 1.7	17.7 [5.2] 6.1 [1.8] 1.7	17.1 [5.0] 5.6 [1.6] 1.6	17.2 [5.0] 8.5 [2.5] 1.7	16.7 [4.9] 7.9 [2.3] 1.7	16.2 [4.7] 7.2 [2.1] 1.6
	90°F [32.2°C]	Total BTUH [kW] Sens BTUH [kW] Power	18.5 [5.4] 4.6 [1.3] 1.8	18.0 [5.3] 4.3 [1.3] 1.8	17.4 [5.1] 3.9 [1.1] 1.7	17.6 [5.2] 6.1 [1.8] 1.8	17.1 [5.0] 5.7 [1.7] 1.8	16.5 [4.8] 5.2 [1.5] 1.7	16.6 [4.9] 8.0 [2.3] 1.8	16.2 [4.7] 7.5 [2.2] 1.8	15.6 [4.6] 6.8 [2.0] 1.7
	100°F [37.8°C]	Total BTUH [kW] Sens BTUH [kW] Power	17.4 [5.1] 3.5 [1.0] 2.0	17.0 [5.0] 3.3 [1.0] 1.9	16.4 [4.8] 3.0 [0.9] 1.9	16.5 [4.8] 5.0 [1.5] 2.0	16.1 [4.7] 4.7 [1.4] 2.0	15.6 [4.6] 4.3 [1.3] 1.9	15.5 [4.6] 6.9 [2.0] 2.0	15.1 [4.4] 6.5 [1.9] 1.9	14.6 [4.3] 5.9 [1.7] 1.9
	110°F [43.3°C]	Total BTUH [kW] Sens BTUH [kW] Power	16.0 [4.7] 1.8 [0.5] 2.2	15.5 [4.6] 1.7 [0.5] 2.2	15.0 [4.4] 1.6 [0.5] 2.1	15.1 [4.4] 3.3 [1.0] 2.2	14.7 [4.3] 3.1 [0.9] 2.2	14.2 [4.2] 2.9 [0.8] 2.1	14.1 [4.1] 5.2 [1.5] 2.2	13.7 [4.0] 4.9 [1.4] 2.2	13.2 [3.9] 4.5 [1.3] 2.1
	120°F [48.9°C]	Total BTUH [kW] Sens BTUH [kW] Power	14.0 [4.1] -0.4 [-0.1] 2.5	13.7 [4.0] -0.4 [-0.1] 2.5	13.2 [3.9] -0.4 [-0.1] 2.4	13.2 [3.9] 1.1 [0.3] 2.5	12.8 [3.8] 1.0 [0.3] 2.5	12.4 [3.6] 0.9 [0.3] 2.4	12.2 [3.6] 3.0 [0.9] 2.5	11.9 [3.5] 2.8 [0.8] 2.5	11.4 [3.4] 2.5 [0.7] 2.4

GROSS SYSTEMS PERFORMANCE DATA (HIGH REHEAT MODE) – RACCZT048 REHEAT

		ENTERING INDOOR AIR @ 75°F [23.9°C] dbE									
wbE		65.3°F [18.5°C]			64°F [17.8°C]			62.5°F [16.9°C]			
CFM [L/s]		1800 [850]	1570 [741]	1400 [661]	1800 [850]	1570 [741]	1400 [661]	1800 [850]	1570 [741]	1400 [661]	
OUTDOOR DRY BULB TEMPERATURE °F [°C]	60°F [15.6°C]	Total BTUH [kW] Sens BTUH [kW] Power	27.7 [8.1] 6.1 [1.8] 2.4	26.9 [7.9] 5.7 [1.7] 2.4	26.4 [7.7] 5.4 [1.6] 2.3	26.2 [7.7] 7.7 [2.2] 2.5	25.5 [7.5] 7.2 [2.1] 2.5	25.0 [7.3] 6.8 [2.0] 2.4	25.8 [7.6] 11.1 [3.3] 2.4	25.1 [7.4] 10.4 [3.0] 2.3	24.6 [7.2] 9.9 [2.9] 2.3
	70°F [21.1°C]	Total BTUH [kW] Sens BTUH [kW] Power	26.2 [7.7] 4.8 [1.4] 2.7	25.5 [7.5] 4.5 [1.3] 2.7	25.0 [7.3] 4.3 [1.3] 2.6	24.7 [7.2] 6.4 [1.9] 2.8	24.0 [7.0] 6.0 [1.7] 2.7	23.6 [6.9] 5.7 [1.7] 2.7	24.3 [7.1] 9.8 [2.9] 2.7	23.7 [6.9] 9.2 [2.7] 2.6	23.2 [6.8] 8.7 [2.6] 2.6
	80°F [26.7°C]	Total BTUH [kW] Sens BTUH [kW] Power	24.1 [7.1] 3.0 [0.9] 3.0	23.5 [6.9] 2.8 [0.8] 3.0	23.0 [6.8] 2.6 [0.8] 2.9	22.7 [6.6] 4.5 [1.3] 3.1	22.1 [6.5] 4.2 [1.2] 3.1	21.6 [6.3] 4.0 [1.2] 3.0	22.3 [6.5] 8.0 [2.3] 3.0	21.7 [6.4] 7.4 [2.2] 2.9	21.2 [6.2] 7.1 [2.1] 2.9
	90°F [32.2°C]	Total BTUH [kW] Sens BTUH [kW] Power	21.5 [6.3] 0.5 [0.2] 3.3	21.0 [6.2] 0.5 [0.1] 3.3	20.6 [6.0] 0.5 [0.1] 3.3	20.1 [5.9] 2.1 [0.6] 3.4	19.5 [5.7] 1.9 [0.6] 3.4	19.2 [5.6] 1.8 [0.5] 3.4	19.7 [5.8] 5.5 [1.6] 3.3	19.2 [5.6] 5.2 [1.5] 3.3	18.8 [5.5] 4.9 [1.4] 3.2
	100°F [37.8°C]	Total BTUH [kW] Sens BTUH [kW] Power	18.4 [5.4] -2.5 [-0.7] 3.7	17.9 [5.3] -2.3 [-0.7] 3.7	17.6 [5.2] -2.2 [-0.7] 3.6	16.9 [5.0] -1.0 [-0.3] 3.8	16.5 [4.8] -0.9 [-0.3] 3.7	16.2 [4.7] -0.8 [-0.2] 3.7	16.5 [4.8] 2.5 [0.7] 3.7	16.1 [4.7] 2.3 [0.7] 3.6	15.8 [4.6] 2.2 [0.6] 3.6
	110°F [43.3°C]	Total BTUH [kW] Sens BTUH [kW] Power	14.7 [4.3] -6.1 [-1.8] 4.1	14.3 [4.2] -5.7 [-1.7] 4.0	14.1 [4.1] -5.4 [-1.6] 4.0	13.2 [3.9] -4.6 [-1.3] 4.2	12.9 [3.8] -4.3 [-1.2] 4.1	12.7 [3.7] -4.0 [-1.2] 4.1	12.8 [3.8] -1.1 [-0.3] 4.1	12.5 [3.7] -1.0 [-0.3] 4.0	12.3 [3.6] -1.0 [-0.3] 4.0
	120°F [48.9°C]	Total BTUH [kW] Sens BTUH [kW] Power	10.5 [3.1] -10.3 [-3.0] 4.5	10.2 [3.0] -9.6 [-2.8] 4.4	10.0 [2.9] -9.1 [-2.7] 4.4	9.0 [2.6] -8.7 [-2.6] 4.6	8.8 [2.6] -8.2 [-2.4] 4.5	8.6 [2.5] -7.8 [-2.3] 4.5	8.6 [2.5] -5.3 [-1.6] 4.5	8.4 [2.5] -5.0 [-1.5] 4.4	8.2 [2.4] -4.7 [-1.4] 4.4

DR — Depression ratio
dbE — Entering air dry bulb
wbE — Entering air wet bulb

Total — Total capacity x 1000 BTUH
Sens — Sensible capacity x 1000 BTUH
Power — kW input

NOTES: ① When the entering air dry bulb is other than 75°F [23.9°C], adjust the sensible capacity from the table by adding [1.10 x CFM x (1 - DR) x (dbE - 80)].

[] Designates Metric Conversions

GROSS SYSTEMS PERFORMANCE DATA (LOW REHEAT MODE) – RACCZT060 REHEAT

		ENTERING INDOOR AIR @ 75°F [23.9°C] dbE									
		wbE CFM [L/s]	65.3°F [18.5°C]			64°F [17.8°C]			62.5°F [16.9°C]		
			1600 [755]	1360 [642]	1250 [590]	1600 [755]	1360 [642]	1250 [590]	1600 [755]	1360 [642]	1250 [590]
OUTDOOR DRY BULB TEMPERATURE °F [°C]	60°F [15.6°C]	Total BTUH [kW] Sens BTUH [kW] Power	26.2 [7.7] 10.6 [3.1] 1.7	25.4 [7.4] 9.8 [2.9] 1.7	25.0 [7.3] 9.4 [2.8] 1.7	25.2 [7.4] 11.7 [3.4] 1.6	24.4 [7.2] 10.8 [3.2] 1.6	24.1 [7.1] 10.4 [3.1] 1.6	24.3 [7.1] 14.0 [4.1] 1.7	23.5 [6.9] 12.9 [3.8] 1.7	23.2 [6.8] 12.4 [3.6] 1.7
	70°F [21.1°C]	Total BTUH [kW] Sens BTUH [kW] Power	25.2 [7.4] 9.4 [2.8] 1.9	24.4 [7.1] 8.7 [2.6] 1.9	24.0 [7.0] 8.4 [2.5] 1.8	24.2 [7.1] 10.6 [3.1] 1.8	23.5 [6.9] 9.8 [2.9] 1.7	23.1 [6.8] 9.4 [2.8] 1.7	23.3 [6.8] 12.8 [3.7] 1.9	22.5 [6.6] 11.8 [3.5] 1.9	22.2 [6.5] 11.4 [3.3] 1.9
	80°F [26.7°C]	Total BTUH [kW] Sens BTUH [kW] Power	24.0 [7.0] 8.1 [2.4] 2.1	23.3 [6.8] 7.5 [2.2] 2.0	22.9 [6.7] 7.2 [2.1] 2.0	23.0 [6.8] 9.2 [2.7] 1.9	22.3 [6.5] 8.5 [2.5] 1.9	22.0 [6.4] 8.2 [2.4] 1.9	22.1 [6.5] 11.4 [3.4] 2.1	21.4 [6.3] 10.6 [3.1] 2.1	21.1 [6.2] 10.2 [3.0] 2.0
	90°F [32.2°C]	Total BTUH [kW] Sens BTUH [kW] Power	22.7 [6.6] 6.6 [1.9] 2.2	22.0 [6.4] 6.1 [1.8] 2.2	21.6 [6.3] 5.8 [1.7] 2.2	21.7 [6.4] 7.7 [2.3] 2.1	21.0 [6.2] 7.1 [2.1] 2.1	20.7 [6.1] 6.8 [2.0] 2.1	20.7 [6.1] 9.9 [2.9] 2.3	20.1 [5.9] 9.2 [2.7] 2.2	19.8 [5.8] 8.8 [2.6] 2.2
	100°F [37.8°C]	Total BTUH [kW] Sens BTUH [kW] Power	21.1 [6.2] 4.9 [1.4] 2.4	20.5 [6.0] 4.5 [1.3] 2.4	20.2 [5.9] 4.3 [1.3] 2.4	20.2 [5.9] 6.0 [1.8] 2.3	19.5 [5.7] 5.6 [1.6] 2.3	19.3 [5.6] 5.4 [1.6] 2.2	19.2 [5.6] 8.2 [2.4] 2.4	18.6 [5.5] 7.6 [2.2] 2.4	18.3 [5.4] 7.3 [2.1] 2.4
	110°F [43.3°C]	Total BTUH [kW] Sens BTUH [kW] Power	19.5 [5.7] 3.0 [0.9] 2.6	18.9 [5.5] 2.8 [0.8] 2.6	18.6 [5.4] 2.7 [0.8] 2.5	18.5 [5.4] 4.2 [1.2] 2.5	17.9 [5.3] 3.8 [1.1] 2.4	17.7 [5.2] 3.7 [1.1] 2.4	17.5 [5.1] 6.4 [1.9] 2.6	17.0 [5.0] 5.9 [1.7] 2.6	16.7 [4.9] 5.7 [1.7] 2.6
	120°F [48.9°C]	Total BTUH [kW] Sens BTUH [kW] Power	17.6 [5.2] 1.0 [0.3] 2.8	17.1 [5.0] 0.9 [0.3] 2.7	16.8 [4.9] 0.9 [0.3] 2.7	16.6 [4.9] 2.1 [0.6] 2.7	16.1 [4.7] 2.0 [0.6] 2.6	15.9 [4.7] 1.9 [0.6] 2.6	15.7 [4.6] 4.4 [1.3] 2.8	15.2 [4.5] 4.0 [1.2] 2.8	15.0 [4.4] 3.9 [1.1] 2.7

GROSS SYSTEMS PERFORMANCE DATA (HIGH REHEAT MODE) – RACCZT060 REHEAT

		ENTERING INDOOR AIR @ 75°F [23.9°C] dbE									
		wbE CFM [L/s]	65.3°F [18.5°C]			64°F [17.8°C]			62.5°F [16.9°C]		
			2250 [1062]	1815 [857]	1750 [826]	2250 [1062]	1815 [857]	1750 [826]	2250 [1062]	1815 [857]	1750 [826]
OUTDOOR DRY BULB TEMPERATURE °F [°C]	60°F [15.6°C]	Total BTUH [kW] Sens BTUH [kW] Power	38.0 [11.1] 13.0 [3.8] 2.8	36.4 [10.7] 11.7 [3.4] 2.7	36.1 [10.6] 11.5 [3.4] 2.7	36.6 [10.7] 15.0 [4.4] 2.8	35.1 [10.3] 13.5 [3.9] 2.8	34.8 [10.2] 13.2 [3.9] 2.8	35.5 [10.4] 18.6 [5.4] 2.7	34.0 [10.0] 16.7 [4.9] 2.7	33.8 [9.9] 16.4 [4.8] 2.7
	70°F [21.1°C]	Total BTUH [kW] Sens BTUH [kW] Power	34.9 [10.2] 9.1 [2.7] 3.1	33.4 [9.8] 8.2 [2.4] 3.0	33.2 [9.7] 8.1 [2.4] 3.0	33.5 [9.8] 11.1 [3.3] 3.1	32.1 [9.4] 10.0 [2.9] 3.1	31.9 [9.3] 9.9 [2.9] 3.1	32.4 [9.5] 14.7 [4.3] 3.0	31.0 [9.1] 13.3 [3.9] 3.0	30.8 [9.0] 13.0 [3.8] 3.0
	80°F [26.7°C]	Total BTUH [kW] Sens BTUH [kW] Power	31.6 [9.3] 5.3 [1.5] 3.4	30.2 [8.9] 4.8 [1.4] 3.4	30.1 [8.8] 4.7 [1.4] 3.3	30.2 [8.8] 7.3 [2.1] 3.5	28.9 [8.5] 6.6 [1.9] 3.4	28.7 [8.4] 6.4 [1.9] 3.4	29.1 [8.5] 10.9 [3.2] 3.4	27.9 [8.2] 9.8 [2.9] 3.3	27.7 [8.1] 9.6 [2.8] 3.3
	90°F [32.2°C]	Total BTUH [kW] Sens BTUH [kW] Power	28.1 [8.2] 1.4 [0.4] 3.8	26.9 [7.9] 1.2 [0.4] 3.7	26.8 [7.8] 1.2 [0.4] 3.7	26.7 [7.8] 3.4 [1.0] 3.9	25.6 [7.5] 3.0 [0.9] 3.8	25.4 [7.5] 3.0 [0.9] 3.8	25.7 [7.5] 7.0 [2.0] 3.8	24.6 [7.2] 6.3 [1.8] 3.7	24.4 [7.2] 6.2 [1.8] 3.7
	100°F [37.8°C]	Total BTUH [kW] Sens BTUH [kW] Power	24.5 [7.2] -2.6 [-0.7] 4.2	23.5 [6.9] -2.3 [-0.7] 4.2	23.3 [6.8] -2.3 [-0.7] 4.1	23.1 [6.8] -0.6 [-0.2] 4.3	22.1 [6.5] -0.5 [-0.1] 4.2	22.0 [6.4] -0.5 [-0.1] 4.2	22.0 [6.5] 3.1 [0.9] 4.2	21.1 [6.2] 2.7 [0.8] 4.1	21.0 [6.1] 2.7 [0.8] 4.1
	110°F [43.3°C]	Total BTUH [kW] Sens BTUH [kW] Power	20.7 [6.1] -6.5 [-1.9] 4.7	19.8 [5.8] -5.9 [-1.7] 4.6	19.7 [5.8] -5.8 [-1.7] 4.6	19.3 [5.7] -4.5 [-1.3] 4.8	18.5 [5.4] -4.1 [-1.2] 4.7	18.4 [5.4] -4.0 [-1.2] 4.7	18.2 [5.3] -0.9 [-0.3] 4.7	17.5 [5.1] -0.8 [-0.2] 4.6	17.4 [5.1] -0.8 [-0.2] 4.6
	120°F [48.9°C]	Total BTUH [kW] Sens BTUH [kW] Power	16.7 [4.9] -10.5 [-3.1] 5.2	16.0 [4.7] -9.5 [-2.8] 5.1	15.9 [4.7] -9.3 [-2.7] 5.1	15.4 [4.5] -8.5 [-2.5] 5.3	14.7 [4.3] -7.7 [-2.3] 5.2	14.6 [4.3] -7.6 [-2.2] 5.2	14.3 [4.2] -4.9 [-1.4] 5.2	13.7 [4.0] -4.4 [-1.3] 5.1	13.6 [4.0] -4.4 [-1.3] 5.1

DR —Depression ratio
dbE —Entering air dry bulb
wbE—Entering air wet bulb

Total —Total capacity x 1000 BTUH
Sens —Sensible capacity x 1000 BTUH
Power —KW input

NOTES: ① When the entering air dry bulb is other than 75°F [23.9°C], adjust the sensible capacity from the table by adding [1.10 x CFM x (1 – DR) x (dbE – 80)].

[] Designates Metric Conversions

GROSS SYSTEMS PERFORMANCE DATA (LOW HUMIDIDRY™ MODE) – RACCZT072

		ENTERING INDOOR AIR @ 75°F [23.9°C] dbE									
wbE		65.3°F [18.5°C]			64°F [17.8°C]			62.5°F [16.9°C]			
CFM [L/s]		1680 [793]	1600 [755]	1120 [529]	1680 [793]	1600 [755]	1120 [529]	1680 [793]	1600 [755]	1120 [529]	
OUTDOOR DRY BULB TEMPERATURE °F [°C]	60°F [15.6°C]	Total BTUH [kW] Sens BTUH [kW] Power	31.8 [9.3] 12.3 [3.6] 3.3	31.5 [9.2] 12.0 [3.5] 3.2	29.8 [8.7] 10.3 [3.0] 3.2	31.6 [9.3] 14.0 [4.1] 3.2	31.3 [9.2] 13.7 [4.0] 3.2	29.6 [8.7] 11.8 [3.5] 3.1	35.0 [10.3] 16.3 [4.8] 3.3	34.7 [10.2] 15.9 [4.7] 3.3	32.8 [9.6] 13.7 [4.0] 3.2
	70°F [21.1°C]	Total BTUH [kW] Sens BTUH [kW] Power	31.7 [9.3] 11.7 [3.4] 3.2	31.4 [9.2] 11.4 [3.3] 3.2	29.7 [8.7] 9.8 [2.9] 3.1	31.5 [9.2] 13.4 [3.9] 3.2	31.2 [9.1] 13.1 [3.8] 3.2	29.5 [8.6] 11.2 [3.3] 3.1	34.9 [10.2] 15.6 [4.6] 3.3	34.6 [10.1] 15.3 [4.5] 3.3	32.7 [9.6] 13.1 [3.8] 3.2
	80°F [26.7°C]	Total BTUH [kW] Sens BTUH [kW] Power	31.2 [9.1] 11.0 [3.2] 3.3	30.9 [9.1] 10.7 [3.1] 3.3	29.3 [8.6] 9.2 [2.7] 3.2	31.0 [9.1] 12.7 [3.7] 3.3	30.7 [9.0] 12.4 [3.6] 3.2	29.1 [8.5] 10.7 [3.1] 3.2	34.5 [10.1] 14.9 [4.4] 3.3	34.2 [10.0] 14.6 [4.3] 3.3	32.3 [9.5] 12.6 [3.7] 3.2
	90°F [32.2°C]	Total BTUH [kW] Sens BTUH [kW] Power	30.4 [8.9] 10.2 [3.0] 3.3	30.1 [8.8] 10.0 [2.9] 3.3	28.5 [8.3] 8.6 [2.5] 3.2	30.2 [8.8] 11.9 [3.5] 3.3	29.9 [8.8] 11.7 [3.4] 3.3	28.3 [8.3] 10.0 [2.9] 3.2	33.6 [9.9] 14.2 [4.2] 3.4	33.3 [9.8] 13.9 [4.1] 3.4	31.5 [9.2] 11.9 [3.5] 3.3
	100°F [37.8°C]	Total BTUH [kW] Sens BTUH [kW] Power	29.2 [8.6] 9.4 [2.7] 3.4	28.9 [8.5] 9.2 [2.7] 3.4	27.3 [8.0] 7.9 [2.3] 3.3	29.0 [8.5] 11.1 [3.3] 3.4	28.7 [8.4] 10.8 [3.2] 3.4	27.2 [8.0] 9.3 [2.7] 3.3	32.4 [9.5] 13.4 [3.9] 3.5	32.1 [9.4] 13.1 [3.8] 3.4	30.4 [8.9] 11.2 [3.3] 3.3
	110°F [43.3°C]	Total BTUH [kW] Sens BTUH [kW] Power	27.6 [8.1] 8.5 [2.5] 3.5	27.3 [8.0] 8.3 [2.4] 3.5	25.9 [7.6] 7.1 [2.1] 3.4	27.4 [8.0] 10.2 [3.0] 3.5	27.2 [8.0] 10.0 [2.9] 3.5	25.7 [7.5] 8.6 [2.5] 3.4	30.9 [9.0] 12.5 [3.7] 3.6	30.6 [9.0] 12.2 [3.6] 3.5	28.9 [8.5] 10.5 [3.1] 3.5
	120°F [48.9°C]	Total BTUH [kW] Sens BTUH [kW] Power	25.6 [7.5] 7.5 [2.2] 3.6	25.4 [7.4] 7.4 [2.2] 3.6	24.0 [7.0] 6.3 [1.9] 3.5	25.4 [7.5] 9.3 [2.7] 3.6	25.2 [7.4] 9.1 [2.7] 3.6	23.8 [7.0] 7.8 [2.3] 3.5	28.9 [8.5] 11.5 [3.4] 3.7	28.6 [8.4] 11.3 [3.3] 3.7	27.1 [7.9] 9.7 [2.8] 3.6

GROSS SYSTEMS PERFORMANCE DATA (HIGH HUMIDIDRY™ MODE) - RACCZT072

		ENTERING INDOOR AIR @ 75°F [23.9°C] dbE									
wbE		65.3°F [18.5°C]			64°F [17.8°C]			62.5°F [16.9°C]			
CFM [L/s]		2880 [1359]	2400 [1133]	1920 [906]	2880 [1359]	2400 [1133]	1920 [906]	2880 [1359]	2400 [1133]	1920 [906]	
OUTDOOR DRY BULB TEMPERATURE °F [°C]	60°F [15.6°C]	Total BTUH [kW] Sens BTUH [kW] Power	36.6 [10.7] 11.8 [3.5] 4.6	35.4 [10.4] 10.8 [3.2] 4.6	34.1 [10.0] 9.8 [2.9] 4.5	35.6 [10.4] 14.8 [4.3] 4.6	34.3 [10.1] 13.5 [4.0] 4.5	33.1 [9.7] 12.3 [3.6] 4.4	35.7 [10.5] 19.0 [5.6] 4.6	34.5 [10.1] 17.4 [5.1] 4.5	33.2 [9.7] 15.7 [4.6] 4.4
	70°F [21.1°C]	Total BTUH [kW] Sens BTUH [kW] Power	35.2 [10.3] 9.6 [2.8] 4.7	34.0 [9.9] 8.8 [2.6] 4.7	32.7 [9.6] 8.0 [2.3] 4.6	34.1 [10.0] 12.6 [3.7] 4.7	32.9 [9.6] 11.5 [3.4] 4.6	31.7 [9.3] 10.4 [3.0] 4.5	34.3 [10.0] 16.7 [4.9] 4.7	33.1 [9.7] 15.3 [4.5] 4.6	31.9 [9.3] 13.9 [4.1] 4.5
	80°F [26.7°C]	Total BTUH [kW] Sens BTUH [kW] Power	32.8 [9.6] 6.6 [1.9] 5.0	31.6 [9.3] 6.1 [1.8] 4.9	30.5 [8.9] 5.5 [1.6] 4.8	31.7 [9.3] 9.6 [2.8] 4.9	30.6 [9.0] 8.8 [2.6] 4.8	29.5 [8.6] 8.0 [2.3] 4.8	31.9 [9.3] 13.8 [4.0] 4.9	30.8 [9.0] 12.6 [3.7] 4.8	29.6 [8.7] 11.4 [3.4] 4.7
	90°F [32.2°C]	Total BTUH [kW] Sens BTUH [kW] Power	29.5 [8.6] 3.0 [0.9] 5.3	28.4 [8.3] 2.7 [0.8] 5.2	27.4 [8.0] 2.5 [0.7] 5.2	28.4 [8.3] 6.0 [1.7] 5.3	27.4 [8.0] 5.4 [1.6] 5.2	26.4 [7.7] 4.9 [1.4] 5.1	28.6 [8.4] 10.1 [3.0] 5.3	27.6 [8.1] 9.3 [2.7] 5.2	26.5 [7.8] 8.4 [2.5] 5.1
	100°F [37.8°C]	Total BTUH [kW] Sens BTUH [kW] Power	25.2 [7.4] -1.4 [-0.4] 5.8	24.3 [7.1] -1.3 [-0.4] 5.7	23.4 [6.9] -1.1 [-0.3] 5.6	24.1 [7.1] 1.6 [0.5] 5.8	23.3 [6.8] 1.4 [0.4] 5.7	22.4 [6.6] 1.3 [0.4] 5.6	24.3 [7.1] 5.8 [1.7] 5.8	23.4 [6.9] 5.3 [1.5] 5.7	22.6 [6.6] 4.8 [1.4] 5.6
	110°F [43.3°C]	Total BTUH [kW] Sens BTUH [kW] Power	20.0 [5.9] -6.5 [-1.9] 6.4	19.3 [5.7] -5.9 [-1.7] 6.3	18.6 [5.4] -5.4 [-1.6] 6.2	18.9 [5.5] -3.5 [-1.0] 6.4	18.3 [5.3] -3.2 [-0.9] 6.3	17.6 [5.2] -2.9 [-0.8] 6.2	19.1 [5.6] 0.7 [0.2] 6.4	18.4 [5.4] 0.6 [0.2] 6.3	17.8 [5.2] 0.6 [0.2] 6.1
	120°F [48.9°C]	Total BTUH [kW] Sens BTUH [kW] Power	13.9 [4.1] -12.2 [-3.6] 7.2	13.4 [3.9] -11.2 [-3.3] 7.1	12.9 [3.8] -10.2 [-3.0] 6.9	12.8 [3.7] -9.3 [-2.7] 7.1	12.3 [3.6] -8.5 [-2.5] 7.0	11.9 [3.5] -7.7 [-2.3] 6.9	13.0 [3.8] -5.1 [-1.5] 7.1	12.5 [3.7] -4.7 [-1.4] 7.0	12.1 [3.5] -4.2 [-1.2] 6.9

DR —Depression ratio
dbE —Entering air dry bulb
wbE—Entering air wet bulb

Total —Total capacity x 1000 BTUH
Sens —Sensible capacity x 1000 BTUH
Power—KW input

NOTES: ① When the entering air dry bulb is other than 75°F [23.9°C], adjust the sensible capacity from the table by adding [1.10 x CFM x (1 – DR) x (dbE – 80)].

[] Designates Metric Conversions

3-5T – LOW STATIC – SIDEFLOW (208-230V, 575V)

Unit Model (Tonnage)	Manufacturer Recommended Airflow Range (Min/Max) CFM	COMPONENT AIRFLOW RESISTANCE		Motor HP [W]	Motor Speed	CFM/ WATTS	External Static Pressure - Inches W.C. [kPa]							
		Pressure Drop MERV 8	Pressure Drop MERV 13				0.1 [.02]	0.2 [.05]	0.3 [.07]	0.4 [.10]	0.5 [.12]	0.6 [.15]	0.7 [.17]	0.8 [.20]
		Resistance - Inches of Water (Min/Max) [kPa]												
RACCZR036 (3T)	1050/1350	0.075 [.02]/ 0.105 [.03]	0.020 [.00]/ 0.066 [.02]	3/4 HP [559]	Fan - Tap 1	CFM	895	809	730	642	555	497	420	367
						WATTS	52	59	66	73	79	80	85	86
				3/4 HP [559]	Tap 2	CFM	1189	1111	1041	964	889	832	763	711
						WATTS	145	153	162	171	179	184	192	197
				3/4 HP [559]	Tap 3	CFM	1370	1297	1232	1163	1095	1038	974	922
						WATTS	201	211	221	231	240	248	257	264
				3/4 HP [559]	Cooling - Tap 4 *	CFM	1170	1091	1020	943	867	810	740	688
						WATTS	138	147	156	164	172	177	185	189
				3/4 HP [559]	High Speed - Tap 5	CFM	1513	1445	1389	1322	1269	1210	1153	1097
						WATTS	232	242	252	264	275	285	295	302
RACCZR048 (4T)	1400/1800	0.110 [.03]/ 0.150 [.04]	0.074 [.02]/ 0.135 [.03]	3/4 HP [559]	Fan - Tap 1	CFM	895	809	730	642	555	497	420	367
						WATTS	52	59	66	73	79	80	85	86
				3/4 HP [559]	Tap 2	CFM	1288	1212	1144	1072	1001	944	878	825
						WATTS	175	185	194	203	212	219	227	233
				3/4 HP [559]	Tap 3	CFM	1567	1499	1439	1378	1318	1261	1203	1151
						WATTS	263	274	285	296	306	317	328	338
				3/4 HP [559]	Cooling - Tap 4 *	CFM	1507	1438	1376	1313	1250	1193	1133	1081
						WATTS	244	255	265	276	286	296	307	316
				3/4 HP [559]	High Speed - Tap 5	CFM	1876	1817	1766	1718	1671	1614	1564	1512
						WATTS	360	373	386	399	411	427	440	454
RACCZR060 (5T)	1750/2250	0.145 [.04]/ 0.195 [.05]	0.128 [.03]/ 0.205 [.05]	1 HP [745]	Fan - Tap 1	CFM	1169	1092	1022	950	874	783	715	640
						WATTS	129	138	147	158	165	173	180	187
				1 HP [745]	Tap 2	CFM	1586	1519	1459	1399	1339	1279	1221	1161
						WATTS	283	294	305	316	329	340	351	361
				1 HP [745]	Tap 3	CFM	1852	1794	1738	1684	1628	1575	1523	1471
						WATTS	437	450	463	476	491	503	516	529
				1 HP [745]	Cooling - Tap 4 *	CFM	1954	1899	1845	1792	1739	1688	1639	1590
						WATTS	496	510	524	537	553	566	580	594
				1 HP [745]	High Speed - Tap 5	CFM	2298	2254	2199	2154	2106	2059	2014	1976
						WATTS	929	956	981	1001	1030	1056	1081	1105

3-5T NOTES: * Tap 4 - Factory Cooling Tap
 Pressure drops across the 3-5T CFM range (1050 - 2250)
 Wet coil: ~0.09 Inches W.C.
 Downflow: ~0.1 Inches W.C.
 Reheat coil: ~0.09 Inches W.C.

6T NOTES: Pressure drops across the 6T CFM range
 Wet coil: ~0.09 Inches W.C.
 Downflow: ~0.1 Inches W.C.
 Reheat coil: ~0.09 Inches W.C.
 * Tap 3 - Factory Cooling Tap

[] Designates Metric Conversions

3-5T — HIGH STATIC — SIDEFLOW (208-230V, 575V)

Unit Model (Tonnage)	Manufacturer Recommended Airflow Range (Min/Max) CFM	COMPONENT AIRFLOW RESISTANCE		Motor HP [W]	Motor Speed	CFM/ WATTS	External Static Pressure - Inches W.C. [kPa]							
		Pressure Drop MERV 8	Pressure Drop MERV 13				0.8 [.2]	0.9 [.22]	1 [.25]	1.1 [.27]	1.2 [.3]	1.3 [.32]	1.4 [.35]	1.5 [.37]
		Resistance - Inches of Water (Min/Max) [kPa]												
RACCZR036 (3T)	1050/1350	0.075 [.02]/ 0.105 [.03]	0.020 [.00]/ 0.066 [.02]	1 HP [745]	Fan - Tap 1	CFM	1037	974	913	851	795	786	729	676
						WATTS	261	270	279	287	294	298	306	312
				1 HP [745]	Tap 2	CFM	1393	1338	1286	1232	1183	1158	1107	1058
						WATTS	474	485	497	509	520	529	540	549
				1 HP [745]	Tap 3	CFM	1588	1538	1491	1442	1397	1363	1314	1268
						WATTS	591	603	617	630	644	655	668	680
				1 HP [745]	Cooling - Tap 4 *	CFM	1037	974	913	851	795	786	729	676
						WATTS	261	270	279	287	294	298	306	312
				1 HP [745]	High Speed - Tap 5	CFM	1495	1443	1398	1352	1303	1252	1202	1147
						WATTS	493	508	519	531	542	555	563	575
RACCZR048 (4T)	1400/1800	0.110 [.03]/ 0.150 [.04]	0.074 [.02]/ 0.135 [.03]	1 HP [745]	Fan - Tap 1	CFM	1371	1316	1264	1209	1160	1109	1057	1008
						WATTS	461	472	484	495	506	517	527	537
				1 HP [745]	Tap 2	CFM	1675	1627	1582	1535	1492	1444	1397	1352
						WATTS	643	656	671	684	699	712	725	738
				1 HP [745]	Tap 3	CFM	1740	1693	1650	1605	1563	1516	1470	1426
						WATTS	681	695	711	725	740	754	768	781
				1 HP [745]	Cooling - Tap 4 *	CFM	1360	1305	1252	1198	1148	1097	1045	996
						WATTS	454	466	477	488	499	510	520	530
				1 HP [745]	High Speed - Tap 5	CFM	1800	1762	1721	1676	1641	1587	1546	1512
						WATTS	692	706	719	737	755	768	780	795
RACCZR060 (5T)	1750/2250	0.145 [.04]/ 0.195 [.05]	0.128 [.03]/ 0.205 [.05]	1 HP [745]	Fan - Tap 1	CFM	1527	1476	1427	1377	1330	1281	1232	1185
						WATTS	554	567	580	592	605	617	629	640
				1 HP [745]	Tap 2	CFM	1523	1471	1423	1372	1326	1277	1227	1180
						WATTS	552	564	577	590	602	614	626	637
				1 HP [745]	Tap 3	CFM	1935	1893	1855	1814	1776	1732	1689	1647
						WATTS	798	813	831	846	864	880	895	910
				1 HP [745]	Cooling - Tap 4 *	CFM	1581	1531	1484	1435	1390	1341	1293	1247
						WATTS	587	599	613	626	640	652	664	676
				1 HP [745]	High Speed - Tap 5	CFM	2151	2115	2082	2046	2013	1972	1932	1893
						WATTS	928	945	964	981	1001	1020	1037	1054

3-5T NOTES: * Tap 4 - Factory Cooling Tap
 Pressure drops across the 3-5T CFM range (1050 - 2250)
 Wet coil: ~0.09 Inches W.C.
 Downflow: ~0.1 Inches W.C.
 Reheat coil: ~0.09 Inches W.C.

6T NOTES: Pressure drops across the 6T CFM range
 Wet coil: ~0.09 Inches W.C.
 Downflow: ~0.1 Inches W.C.
 Reheat coil: ~0.09 Inches W.C.
 * Tap 3 - Factory Cooling Tap

[] Designates Metric Conversions

3-5T – LOW STATIC – SIDEFLOW (460V)

Unit Model (Tonnage)	Manufacturer Recommended Airflow Range (Min/Max) CFM	COMPONENT AIRFLOW RESISTANCE		Motor HP [W]	Motor Speed	CFM/ WATTS	External Static Pressure - Inches W.C. [kPa]							
		Pressure Drop MERV 8	Pressure Drop MERV 13				0.1 [.02]	0.2 [.05]	0.3 [.07]	0.4 [.10]	0.5 [.12]	0.6 [.15]	0.7 [.17]	0.8 [.20]
		Resistance - Inches of Water (Min/Max) [kPa]												
RACCZR036 (3T)	1050/1350	0.075 [.02]/ 0.105 [.03]	0.020 [.00]/ 0.066 [.02]	3/4 HP [559]	Fan - Tap 1	CFM	1110	956	870	792	709	630	549	512
						WATTS	79	78	84	91	98	104	110	111
				3/4 HP [559]	Tap 2	CFM	1255	1120	1040	965	887	813	738	697
						WATTS	145	147	155	163	172	179	186	190
				3/4 HP [559]	Tap 3	CFM	1621	1534	1467	1401	1337	1273	1212	1163
						WATTS	311	321	334	346	357	368	379	388
				3/4 HP [559]	Cooling - Tap 4	CFM	1392	1276	1200	1128	1056	986	916	872
						WATTS	207	212	222	232	241	250	259	264
				3/4 HP [559]	High Speed - Tap 5	CFM	1745	1673	1618	1549	1497	1435	1388	1334
						WATTS	341	357	370	384	396	407	418	430
RACCZR048 (4T)	1400/1800	0.110 [.03]/ 0.150 [.04]	0.074 [.02]/ 0.135 [.03]	3/4 HP [559]	Fan - Tap 1	CFM	1110	956	870	792	709	630	549	512
						WATTS	79	78	84	91	98	104	110	111
				3/4 HP [559]	Tap 2	CFM	1345	1222	1145	1072	998	926	854	812
						WATTS	186	190	199	208	217	225	234	239
				3/4 HP [559]	Tap 3	CFM	1755	1686	1624	1561	1503	1443	1387	1334
						WATTS	372	386	399	413	425	437	449	461
				3/4 HP [559]	Cooling - Tap 4 *	CFM	1738	1667	1604	1541	1482	1422	1365	1313
						WATTS	365	378	391	404	417	429	441	452
				3/4 HP [559]	High Speed - Tap 5	CFM	2081	2034	1981	1922	1873	1816	1769	1722
						WATTS	560	576	592	609	625	641	657	672
RACCZR060 (5T)	1750/2250	0.145 [.04]/ 0.195 [.05]	0.128 [.03]/ 0.205 [.05]	1 HP [745]	Fan - Tap 1	CFM	1235	1155	1077	1013	955	882	778	691
						WATTS	150	159	169	177	185	193	204	211
				1 HP [745]	Tap 2	CFM	1453	1382	1311	1246	1188	1131	1064	1002
						WATTS	186	198	209	219	228	236	246	255
				1 HP [745]	Tap 3	CFM	1975	1921	1863	1808	1756	1707	1654	1602
						WATTS	541	557	573	590	605	618	632	644
				1 HP [745]	Cooling - Tap 4 *	CFM	2049	1996	1941	1887	1836	1788	1737	1687
						WATTS	591	608	625	642	657	672	686	699
				1 HP [745]	High Speed - Tap 5	CFM	2408	2367	2318	2267	2226	2177	2139	2089
						WATTS	861	884	900	921	939	957	974	996

3-5T NOTES: * Tap 4 - Factory Cooling Tap
 Pressure drops across the 3-5T CFM range (1050 - 2250)
 Wet coil: ~0.09 Inches W.C.
 Downflow: ~0.1 Inches W.C.
 Reheat coil: ~0.09 Inches W.C.

6T NOTES: Pressure drops across the 6T CFM range
 Wet coil: ~0.09 Inches W.C.
 Downflow: ~0.1 Inches W.C.
 Reheat coil: ~0.09 Inches W.C.
 * Tap 3 - Factory Cooling Tap.

[] Designates Metric Conversions

3-5T — HIGH STATIC — SIDEFLOW (460V)

Unit Model (Tonnage)	Manufacturer Recommended Airflow Range (Min/Max) CFM	COMPONENT AIRFLOW RESISTANCE		Motor HP [W]	Motor Speed	CFM/ WATTS	External Static Pressure - Inches W.C. [kPa]							
		Pressure Drop MERV 8	Pressure Drop MERV 13				0.8 [.2]	0.9 [.22]	1 [.25]	1.1 [.27]	1.2 [.3]	1.3 [.32]	1.4 [.35]	1.5 [.37]
		Resistance - Inches of Water (Min/Max) [kPa]												
RACCZR036 (3T)	1050/1350	0.075 [.02]/ 0.105 [.03]	0.020 [.00]/ 0.066 [.02]	1 HP [745]	Fan - Tap 1	CFM	0	895	828	768	722	669	684	653
						WATTS	226	235	247	259	280	304	337	371
				1 HP [745]	Tap 2	CFM	958	895	828	768	722	669	684	653
						WATTS	226	235	247	259	280	304	337	371
				1 HP [745]	Tap 3	CFM	1591	1540	1486	1434	1375	1311	1263	1179
WATTS	637	649	659			668	670	667	664	649				
1 HP [745]	Cooling - Tap 4 *	CFM	1064	1002	938	879	831	776	780	741				
		WATTS	295	304	315	327	345	365	391	417				
1 HP [745]	High Speed - Tap 5	CFM	1526	1481	1440	1392	1336	1285	1231	1175				
		WATTS	531	540	552	563	578	588	598	610				
RACCZR048 (4T)	1400/1800	0.110 [.03]/ 0.150 [.04]	0.074 [.02]/ 0.135 [.03]	1 HP [745]	Fan - Tap 1	CFM	1061	1000	935	877	828	774	778	739
						WATTS	293	302	314	325	344	363	390	416
				1 HP [745]	Tap 2	CFM	1438	1384	1327	1272	1217	1156	1123	1052
						WATTS	537	549	559	569	576	579	585	581
				1 HP [745]	Tap 3	CFM	1629	1579	1526	1474	1415	1350	1298	1211
WATTS	662	674	684			693	694	689	684	666				
1 HP [745]	Cooling - Tap 4 *	CFM	1434	1380	1323	1269	1213	1152	1120	1049				
		WATTS	535	546	557	567	574	577	583	580				
1 HP [745]	High Speed - Tap 5	CFM	1795	1751	1710	1668	1629	1581	1538	1490				
		WATTS	721	734	745	758	770	784	795	811				
RACCZR060 (5T)	1750/2250	0.145 [.04]/ 0.195 [.05]	0.128 [.03]/ 0.205 [.05]	1.5 HP [1188]	Fan - Tap 1	CFM	1063	1000	909	849	796	743	695	644
						WATTS	311	319	331	341	355	365	375	384
				1.5 HP [1188]	Tap 2	CFM	1063	1000	909	849	796	743	695	644
						WATTS	311	319	331	341	355	365	375	384
				1.5 HP [1188]	Tap 3	CFM	1444	1390	1335	1279	1220	1161	1090	1035
WATTS	468	487	488			499	505	514	513	521				
1.5 HP [1188]	Cooling - Tap 4 *	CFM	1826	1795	1754	1714	1674	1636	1590	1540				
		WATTS	681	700	720	738	757	774	787	799				
1.5 HP [1188]	High Speed - Tap 5	CFM	2127	2076	2045	2000	1966	1930	1894	1871				
		WATTS	906	924	941	958	977	1008	1021	1049				

3-5T NOTES: * Tap 4 - Factory Cooling Tap
 For 575V units, add 30W (transformer wattage) to the watt values mentioned in the table.
 3. Pressure drops across the 3-5T CFM range (1050 - 2250)
 Wet coil: ~0.09 Inches W.C.
 Downflow: ~0.1 Inches W.C.
 Reheat coil: ~0.09 Inches W.C.

6T NOTES: Pressure drops across the 6T CFM range
 Wet coil: ~0.09 Inches W.C.
 Downflow: ~0.1 Inches W.C.
 Reheat coil: ~0.09 Inches W.C.
 * Tap 3 - Factory Cooling Tap

[] Designates Metric Conversions

3-6T – LOW STATIC – SIDEFLOW (208-230V)

Unit Model (Tonnage)	Manufacturer Recommended Airflow Range (Min/Max) CFM	COMPONENT AIRFLOW RESISTANCE		Motor HP [W]	Motor Speed	FL RPM	Motor Frame Size	CFM/ WATTS	External Static Pressure - Inches W.C. [kPa]							
		Pressure Drop MERV 8	Pressure Drop MERV 13						0.1 [.02]	0.2 [.05]	0.3 [.07]	0.4 [.10]	0.5 [.12]	0.6 [.15]	0.7 [.17]	0.8 [.20]
		Resistance - Inches of Water (Min/Max) [kPa]														
RACCZT036 (3T)	1050/1350	0.075 [.02]/ 0.105 [.03]	0.020 [.00]/ 0.066 [.02]	3/4 HP [559]	Fan/Low Heat - Tap 1	1050	48	CFM	1189	1111	1041	964	889	832	763	711
								WATTS	145	153	162	171	179	184	192	197
				3/4 HP [559]	High Heat - T ap 2	1050	48	CFM	1370	1297	1232	1163	1095	1038	974	922
								WATTS	201	211	221	231	240	248	257	264
				3/4 HP [559]	High Cooling - Tap 4 *	1050	48	CFM	1170	1091	1020	943	867	810	740	688
								WATTS	138	147	156	164	172	177	185	189
				3/4 HP [559]	High Speed - Tap 5	1050	48	CFM	1513	1445	1389	1322	1269	1210	1153	1097
								WATTS	232	242	252	264	275	285	295	302
RACCZT048 (4T)	1400/1800	0.110 [.03]/ 0.150 [.04]	0.074 [.02]/ 0.135 [.03]	3/4 HP [559]	Fan/Low Heat - Tap 1	1050	48	CFM	1288	1212	1144	1072	1001	944	878	825
								WATTS	175	185	194	203	212	219	227	233
				3/4 HP [559]	High Heat - Tap 2	1050	48	CFM	1567	1499	1439	1378	1318	1261	1203	1151
								WATTS	263	274	285	296	306	317	328	338
				3/4 HP [559]	High Cooling - Tap 4 *	1050	48	CFM	1507	1438	1376	1313	1250	1193	1133	1081
								WATTS	244	255	265	276	286	296	307	316
				3/4 HP [559]	High Speed - Tap 5	1050	48	CFM	1876	1817	1766	1718	1671	1614	1564	1512
								WATTS	360	373	386	399	411	427	440	454
RACCZT060 (5T)	1750/2250	0.145 [.04]/ 0.195 [.05]	0.128 [.03]/ 0.205 [.05]	1 HP [745]	Fan/Low Heat - Tap 1	1050	48	CFM	1586	1519	1459	1399	1339	1279	1221	1161
								WATTS	283	294	305	316	329	340	351	361
				1 HP [745]	High Heat - Tap 2	1050	48	CFM	1852	1794	1738	1684	1628	1575	1523	1471
								WATTS	437	450	463	476	491	503	516	529
				1 HP [745]	High Cooling - Tap 4 *	1050	48	CFM	1954	1899	1845	1792	1739	1688	1639	1590
								WATTS	496	510	524	537	553	566	580	594
				1 HP [745]	High Speed - Tap 5	1050	48	CFM	2298	2254	2199	2154	2106	2059	2014	1976
								WATTS	929	956	981	1001	1030	1056	1081	1105
RACCZT072 (6T)	2100/2700	0.180 [.04]/ 0.240 [.06]	0.182 [.04]/ 0.275 [.07]	1.2 HP [895]	Fan/Low Heat - Tap 1	1300	48	CFM	1384	1319	1249	1188	1127	1066	1006	947
								WATTS	192	204	215	225	240	245	255	265
				1.2 HP [895]	High Heat - Tap 2	1300	48	CFM	1874	1833	1778	1730	1680	1630	1584	1539
								WATTS	421	435	450	466	480	495	510	525
				1.2 HP [895]	High Cool - Tap 4 *	1300	48	CFM	2331	2290	2245	2204	2159	2118	2072	2036
								WATTS	700	718	730	745	760	782	797	820
				1.2 HP [895]	High Speed - Tap 5	1300	48	CFM	2363	2330	2280	2237	2198	2164	2110	2071
								WATTS	771	792	808	824	843	860	875	890

3-5T NOTES: * Tap 4 - Factory Cooling Tap
 Pressure drops across the 3-5T CFM range (1050 - 2250)
 Wet coil: ~0.09 Inches W.C.
 Downflow: ~0.1 Inches W.C.
 Reheat coil: ~0.09 Inches W.C.

6T NOTES: Pressure drops across the 6T CFM range
 Wet coil: ~0.09 Inches W.C.
 Downflow: ~0.1 Inches W.C.
 Reheat coil: ~0.09 Inches W.C.
 * Tap 3 - Factory Cooling Tap.

[] Designates Metric Conversions

3-6T – HIGH STATIC – SIDEFLOW (208-230V)

Unit Model (Tonnage)	Manufacturer Recommended Airflow Range (Min/Max) CFM	COMPONENT AIRFLOW RESISTANCE		Motor HP [W]	Motor Speed	FL RPM	Motor Frame Size	CFM/ WATTS	External Static Pressure - Inches W.C. [kPa]							
		Pressure Drop MERV 8	Pressure Drop MERV 13						0.8 [.2]	0.9 [.22]	1.0 [.25]	1.1 [.27]	1.2 [.3]	1.3 [.32]	1.4 [.35]	1.5 [.37]
		Resistance - Inches of Water (Min/Max) [kPa]														
RACCZT036 (3T)	1050/1350	0.075 [.02]/ 0.105 [.03]	0.020 [.00]/ 0.066 [.02]	1 HP	Fan/Low Heat - Tap 1	1400	48	CFM	1393	1338	1286	1232	1183	1158	1107	1058
								WATTS	474	485	497	509	520	529	540	549
				1 HP	High Heat - Tap 2	1400	48	CFM	1588	1538	1491	1442	1397	1363	1314	1268
								WATTS	591	603	617	630	644	655	668	680
				1 HP	High Cooling - Tap 4 *	1400	48	CFM	1037	974	913	851	795	786	729	676
								WATTS	261	270	279	287	294	298	306	312
				1 HP	High Speed - Tap 5	1400	48	CFM	1495	1443	1398	1352	1303	1252	1202	1147
								WATTS	493	508	519	531	542	555	563	575
RACCZT048 (4T)	1400/1800	0.110 [.03]/ 0.150 [.04]	0.074 [.02]/ 0.135 [.03]	1 HP	Fan/Low Heat - Tap 1	1400	48	CFM	1675	1627	1582	1535	1492	1444	1397	1352
								WATTS	643	656	671	684	699	712	725	738
				1 HP	High Heat - Tap 2	1400	48	CFM	1740	1693	1650	1605	1563	1516	1470	1426
								WATTS	681	695	711	725	740	754	768	781
				1 HP	High Cooling - Tap 4 *	1400	48	CFM	1360	1305	1252	1198	1148	1097	1045	996
								WATTS	454	466	477	488	499	510	520	530
				1 HP	High Speed - Tap 5	1400	48	CFM	1800	1762	1721	1676	1641	1587	1546	1512
								WATTS	692	706	719	737	755	768	780	795
RACCZT060 (5T)	1750/2250	0.145 [.04]/ 0.195 [.05]	0.128 [.03]/ 0.205 [.05]	1.5 HP	Fan/Low Heat - Tap 1	1400	48	CFM	1523	1471	1423	1372	1326	1277	1227	1180
								WATTS	552	564	577	590	602	614	626	637
				1.5 HP	High Heat - Tap 2	1400	48	CFM	1935	1893	1855	1814	1776	1732	1689	1647
								WATTS	798	813	831	846	864	880	895	910
				1.5 HP	High Cooling - Tap 4 *	1400	48	CFM	1581	1531	1484	1435	1390	1341	1293	1247
								WATTS	587	599	613	626	640	652	664	676
				1.5 HP	High Speed - Tap 5	1400	48	CFM	2151	2115	2082	2046	2013	1972	1932	1893
								WATTS	928	945	964	981	1001	1020	1037	1054
RACCZT072 (6T)	2100/2700	0.180 [.04]/ 0.240 [.06]	0.182 [.04]/ 0.275 [.07]	1.2 HP [895]	Fan/Low Heat - Tap 1	1300	48	CFM	1237	1182	1137	1076	996	961	906	853
								WATTS	364	373	386	396	405	409	421	431
				1.2 HP [895]	High Heat - Tap 2	1300	48	CFM	2043	2004	1953	1917	1879	1828	1783	1750
								WATTS	834	850	861	876	891	906	925	938
				1.2 HP [895]	High Cool - Tap 4 *	1300	48	CFM	2036	1996	1945	1908	1871	1819	1773	1743
								WATTS	820	835	845	860	877	890	910	924
				1.2 HP [895]	High Speed - Tap 5	1300	48	CFM	2462	2416	2371	2337	2294	2251	2214	2165
								WATTS	1053	1063	1078	1085	1100	1113	1121	1135

3-5T NOTES: * Tap 4 - Factory Cooling Tap
 Pressure drops across the 3-5T CFM range (1050 - 2250)
 Wet coil: ~0.09 Inches W.C.
 Downflow: ~0.1 Inches W.C.
 Reheat coil: ~0.09 Inches W.C.

6T NOTES: Pressure drops across the 6T CFM range
 Wet coil: ~0.09 Inches W.C.
 Downflow: ~0.1 Inches W.C.
 Reheat coil: ~0.09 Inches W.C.
 * Tap 3 - Factory Cooling Tap.

[] Designates Metric Conversions

3-6T – LOW STATIC – SIDEFLOW (460V)

Unit Model (Tonnage)	Manufacturer Recommended Airflow Range (Min/Max) CFM	COMPONENT AIRFLOW RESISTANCE		Motor HP [W]	Motor Speed	FL RPM	Motor Frame Size	CFM/ WATTS	External Static Pressure - Inches W.C. [kPa]							
		Pressure Drop MERV 8	Pressure Drop MERV 13						0.1 [.02]	0.2 [.05]	0.3 [.07]	0.4 [.10]	0.5 [.12]	0.6 [.15]	0.7 [.17]	0.8 [.20]
		Resistance - Inches of Water (Min/Max) [kPa]														
RACCZT036 (3T)	1050/1350	0.075 [.02]/ 0.105 [.03]	0.020 [.00]/ 0.066 [.02]	3/4 HP [559]	Fan/Low Heat - Tap 1	1250	48	CFM	1255	1120	1040	965	887	813	738	697
								WATTS	145	147	155	163	172	179	186	190
				3/4 HP [559]	High Heat - Tap 2	1250	48	CFM	1621	1534	1467	1401	1337	1273	1212	1163
								WATTS	311	321	334	346	357	368	379	388
				3/4 HP [559]	High Cooling - Tap 4 *	1250	48	CFM	1392	1276	1200	1128	1056	986	916	872
								WATTS	207	212	222	232	241	250	259	264
				3/4 HP [559]	High Speed - Tap 5	1250	48	CFM	1745	1673	1618	1549	1497	1435	1388	1334
								WATTS	341	357	370	384	396	407	418	430
RACCZT048 (4T)	1400/1800	0.110 [.03]/ 0.150 [.04]	0.074 [.02]/ 0.135 [.03]	3/4 HP [559]	Fan/Low Heat - Tap 1	1250	48	CFM	1345	1222	1145	1072	998	926	854	812
								WATTS	186	190	199	208	217	225	234	239
				3/4 HP [559]	High Heat - Tap 2	1250	48	CFM	1755	1686	1624	1561	1503	1443	1387	1334
								WATTS	372	386	399	413	425	437	449	461
				3/4 HP [559]	High Cooling - Tap 4 *	1250	48	CFM	1738	1667	1604	1541	1482	1422	1365	1313
								WATTS	365	378	391	404	417	429	441	452
				3/4 HP [559]	High Speed - Tap 5	1250	48	CFM	2081	2034	1981	1922	1873	1816	1769	1722
								WATTS	560	576	592	609	625	641	657	672
RACCZT060 (5T)	1750/2250	0.145 [.04]/ 0.195 [.05]	0.128 [.03]/ 0.205 [.05]	1 HP [745]	Fan/Low Heat - Tap 1	1250	48	CFM	1453	1382	1311	1246	1188	1131	1064	1002
								WATTS	186	198	209	219	228	236	246	255
				1 HP [745]	High Heat - Tap 2	1250	48	CFM	1975	1921	1863	1808	1756	1707	1654	1602
								WATTS	541	557	573	590	605	618	632	644
				1 HP [745]	High Cooling - Tap 4 *	1250	48	CFM	2049	1996	1941	1887	1836	1788	1737	1687
								WATTS	591	608	625	642	657	672	686	699
				1 HP [745]	High Speed - Tap 5	1250	48	CFM	2408	2367	2318	2267	2226	2177	2139	2089
								WATTS	861	884	900	921	939	957	974	996
RACCZT072 (6T)	2100/2700	0.180 [.04]/ 0.240 [.06]	0.182 [.04]/ 0.275 [.07]	1.2 HP [895]	Fan/Low Heat - Tap 1	1300	48	CFM	1384	1319	1249	1188	1127	1066	1006	947
								WATTS	192	204	215	225	240	245	255	265
				1.2 HP [895]	High Heat - Tap 2	1300	48	CFM	1863	1821	1765	1717	1650	1617	1571	1526
								WATTS	413	428	442	459	474	488	503	518
				1.2 HP [895]	High Cool - Tap 4 *	1300	48	CFM	2331	2290	2245	2204	2159	2118	2072	2036
								WATTS	700	718	730	745	760	782	797	820
				1.2 HP [895]	High Speed - Tap 5	1300	48	CFM	2363	2330	2280	2237	2198	2164	2110	2071
								WATTS	771	792	808	824	843	860	875	890

3-5T NOTES: * Tap 4 - Factory Cooling Tap
 Pressure drops across the 3-5T CFM range (1050 - 2250)
 Wet coil: ~0.09 Inches W.C.
 Downflow: ~0.1 Inches W.C.
 Reheat coil: ~0.09 Inches W.C.

6T NOTES: Pressure drops across the 6T CFM range
 Wet coil: ~0.09 Inches W.C.
 Downflow: ~0.1 Inches W.C.
 Reheat coil: ~0.09 Inches W.C.
 * Tap 3 - Factory Cooling Tap.

[] Designates Metric Conversions

3-6T — HIGH STATIC — SIDEFLOW (460V)

Unit Model (Tonnage)	Manufacturer Recommended Airflow Range (Min/Max) CFM	COMPONENT AIRFLOW RESISTANCE		Motor HP [W]	Motor Speed	FL RPM	Motor Frame Size	CFM/ WATTS	External Static Pressure - Inches W.C. [kPa]							
		Pressure Drop MERV 8	Pressure Drop MERV 13						0.8 [.2]	0.9 [.22]	1.0 [.25]	1.1 [.27]	1.2 [.3]	1.3 [.32]	1.4 [.35]	1.5 [.37]
		Resistance - Inches of Water (Min/Max) [kPa]														
RACCZT036 (3T)	1050/1350	0.075 [.02]/ 0.105 [.03]	0.020 [.00]/ 0.066 [.02]	1 HP [745]	Fan/Low Heat - Tap 1	1250	48	CFM	958	895	828	768	722	669	684	653
								WATTS	226	235	247	259	280	304	337	371
				1 HP [745]	High Heat - Tap 2	1250	48	CFM	1591	1540	1486	1434	1375	1311	1263	1179
								WATTS	637	649	659	668	670	667	664	649
RACCZT048 (4T)	1400/1800	0.110 [.03]/ 0.150 [.04]	0.074 [.02]/ 0.135 [.03]	1 HP [745]	Fan/Low Heat - Tap 1	1250	48	CFM	1438	1384	1327	1272	1217	1156	1123	1052
								WATTS	537	549	559	569	576	579	585	581
				1 HP [745]	High Heat - Tap 2	1250	48	CFM	1629	1579	1526	1474	1415	1350	1298	1211
								WATTS	662	674	684	693	694	689	684	666
RACCZT060 (5T)	1750/2250	0.145 [.04]/ 0.195 [.05]	0.128 [.03]/ 0.205 [.05]	1 HP [745]	High Cooling - Tap 4 *	1250	48	CFM	1434	1380	1323	1269	1213	1152	1120	1049
								WATTS	535	546	557	567	574	577	583	580
				1 HP [745]	High Speed - Tap 5	1250	48	CFM	1795	1751	1710	1668	1629	1581	1538	1490
								WATTS	721	734	745	758	770	784	795	811
RACCZT072 (6T)	2100/2700	0.180 [.04]/ 0.240 [.06]	0.182 [.04]/ 0.275 [.07]	1.2 HP [895]	Fan/Low Heat - Tap 1	1300	48	CFM	1237	1182	1137	1076	996	961	906	853
								WATTS	364	373	386	396	405	409	421	431
				1.2 HP [895]	High Heat - Tap 2	1300	48	CFM	2043	2004	1953	1917	1879	1828	1783	1750
								WATTS	834	850	861	876	891	906	925	938
RACCZT072 (6T)	2100/2700	0.180 [.04]/ 0.240 [.06]	0.182 [.04]/ 0.275 [.07]	1.2 HP [895]	High Cool - Tap 4 *	1300	48	CFM	2036	1996	1945	1908	1871	1819	1773	1743
								WATTS	820	835	845	860	877	890	910	924
				1.2 HP [895]	High Speed - Tap 5	1300	48	CFM	2462	2416	2371	2337	2294	2251	2214	2165
								WATTS	1053	1063	1078	1085	1100	1113	1121	1135

3-5T NOTES: * Tap 4 - Factory Cooling Tap
 Pressure drops across the 3-5T CFM range (1050 - 2250)
 Wet coil: ~0.09 Inches W.C.
 Downflow: ~0.1 Inches W.C.
 Reheat coil: ~0.09 Inches W.C.

6T NOTES: Pressure drops across the 6T CFM range
 Wet coil: ~0.09 Inches W.C.
 Downflow: ~0.1 Inches W.C.
 Reheat coil: ~0.09 Inches W.C.
 * Tap 3 - Factory Cooling Tap.

[] Designates Metric Conversions

ELECTRICAL DATA – RACCZR SERIES

		036ACT	036ACU	036ADT	036ADU
Unit Information	Unit Operating Voltage Range	187-253	187-253	418-506	418-506
	Volts	208/230	208/230	460	460
	Phase	3	3	3	3
	Hz	60	60	60	60
	Minimum Circuit Ampacity	19	25	11	10
	Minimum Overcurrent Protection Device Size	25	30	15	15
Compressor Motor	Maximum Overcurrent Protection Device Size	25	35	15	15
	No.	1	1	1	1
	Volts	208/230	208/230	480	480
	Phase	3	3	3	3
	RPM	3450	3450	3450	3450
	HP, Compressor	2 1/2	2 1/2	2 1/2	2 1/2
Condenser Motor	Amps (RLA), Comp.	9	9	5.6	5.6
	Amps (LRA), Comp.	71	71	38	38
	No.	1	1	1	1
	Volts	208/230	208/230	480	480
	Phase	1	1	1	1
	HP	1/5	1/5	1/5	1/5
Evaporator Fan	Amps (FLA, each)	1.2	1.2	0.8	0.8
	Amps (LRA, each)	2.3	2.3	1.4	1.4
	No.	1	1	1	1
	Volts	208/230	208/230	460	460
	Phase	1	1	1	1
	HP	3/4	1 1/2	3/4	1
	Amps (FLA, each)	6	11.5	3.2	2.1

ELECTRICAL DATA – RACCZR SERIES

		036AJT	036AJU	036AYT	036AYU
Unit Information	Unit Operating Voltage Range	187-253	187-253	523-632	523-632
	Volts	208/230	208/230	575	575
	Phase	1	1	3	3
	Hz	60	60	60	60
	Minimum Circuit Ampacity	25	31	12	19
	Minimum Overcurrent Protection Device Size	30	35	15	25
	Maximum Overcurrent Protection Device Size	35	40	15	30
Compressor Motor	No.	1	1	1	1
	Volts	208/230	208/230	575	575
	Phase	1	1	3	3
	RPM	3450	3450	3450	3450
	HP, Compressor	2 1/2	2 1/2	2 1/2	2 1/2
	Amps (RLA), Comp.	14.1	14.1	3.8	3.8
	Amps (LRA), Comp.	77	77	36.5	36.5
Condenser Motor	No.	1	1	1	1
	Volts	208/230	208/230	575	575
	Phase	1	1	1	1
	HP	1/5	1/5	1/5	1/5
	Amps (FLA, each)	1.2	1.2	0.55	0.55
	Amps (LRA, each)	2.3	2.3	1.1	1.1
Evaporator Fan	No.	1	1	1	1
	Volts	208/230	208/230	208/230	208/230
	Phase	1	1	1	1
	HP	3/4	1 1/2	3/4	1 1/2
	Amps (FLA, each)	6	11.5	6	11.5

ELECTRICAL DATA – RACCZR SERIES

		048ACT	048ACU	048ADT	048ADU
Unit Information	Unit Operating Voltage Range	187-253	187-253	418-506	418-506
	Volts	208/230	208/230	460	460
	Phase	3	3	3	3
	Hz	60	60	60	60
	Minimum Circuit Ampacity	25	31	14	13
	Minimum Overcurrent Protection Device Size	30	35	15	15
Compressor Motor	Maximum Overcurrent Protection Device Size	35	40	15	15
	No.	1	1	1	1
	Volts	208/230	208/230	460	460
	Phase	3	3	3	3
	RPM	3450	3450	3450	3450
	HP, Compressor	3 1/2	3 1/2	3 1/2	3 1/2
	Amps (RLA), Comp.	13.1	13.1	6.1	6.1
Amps (LRA), Comp.	83.1	83.1	41	41	
Condenser Motor	No.	1	1	1	1
	Volts	208/230	208/230	460	460
	Phase	1	1	1	1
	HP	1/2	1/2	1/2	1/2
	Amps (FLA, each)	2.5	2.5	2.5	2.5
	Amps (LRA, each)	5.1	5.1	3.1	3.1
Evaporator Fan	No.	1	1	1	1
	Volts	208/230	208/230	460	460
	Phase	1	1	1	1
	HP	3/4	1 1/2	3/4	1
	Amps (FLA, each)	6	11.5	3.2	2.1

ELECTRICAL DATA – RACCZR SERIES

		048AJT	048AJU	048AYT	048AYU
Unit Information	Unit Operating Voltage Range	187-253	187-253	523-632	523-632
	Volts	208/230	208/230	575	575
	Phase	1	1	3	3
	Hz	60	60	60	60
	Minimum Circuit Ampacity	34	40	13	20
	Minimum Overcurrent Protection Device Size	40	45	15	15
	Maximum Overcurrent Protection Device Size	50	50	15	30
Compressor Motor	No.	1	1	1	1
	Volts	208/230	208/230	575	575
	Phase	1	1	3	3
	RPM	3450	3450	3450	3450
	HP, Compressor	3 1/2	3 1/2	3 1/2	3 1/2
	Amps (RLA), Comp.	22.1	22.1	4.9	4.9
	Amps (LRA), Comp.	109	109	33	33
Condenser Motor	No.	1	1	1	1
	Volts	208/230	208/230	575	575
	Phase	1	1	1	1
	HP	1/2	1/2	1/2	1/2
	Amps (FLA, each)	2.5	2.5	1.1	1.1
	Amps (LRA, each)	5.6	5.6	2.5	2.5
Evaporator Fan	No.	1	1	1	1
	Volts	208/230	208/230	208/230	208/230
	Phase	1	1	1	1
	HP	3/4	1 1/2	3/4	1 1/2
	Amps (FLA, each)	6	11.5	6	11.5

ELECTRICAL DATA – RACCZR SERIES

		060ACT	060ACU	060ADT	060ADU
Unit Information	Unit Operating Voltage Range	187-253	187-253	418-506	418-506
	Volts	208/230	208/230	460	460
	Phase	3	3	3	3
	Hz	60	60	60	60
	Minimum Circuit Ampacity	30	34	16	17
	Minimum Overcurrent Protection Device Size	35	40	20	20
Compressor Motor	Maximum Overcurrent Protection Device Size	45	45	20	20
	No.	1	1	1	1
	Volts	208/230	208/230	460	460
	Phase	3	3	3	3
	RPM	3450	3450	3450	3450
	HP, Compressor	4	4	4	4
Condenser Motor	Amps (RLA), Comp.	15.9	15.9	7.1	7.1
	Amps (LRA), Comp.	110	110	52	52
	No.	1	1	1	1
	Volts	208/230	208/230	460	460
	Phase	1	1	1	1
	HP	1/2	1/2	1/2	1/2
Evaporator Fan	Amps (FLA, each)	2.5	2.5	2.5	2.5
	Amps (LRA, each)	5.6	5.6	3.1	3.1
	No.	1	1	1	1
	Volts	208/230	208/230	460	460
	Phase	1	1	1	1
	HP	1	1 1/2	1	1 1/5
	Amps (FLA, each)	7.6	11.5	4	4.8

ELECTRICAL DATA – RACCZR SERIES

		060AJT	060AJU	060AYT	060AYU
Unit Information	Unit Operating Voltage Range	187-253	187-253	523-632	523-632
	Volts	208/230	208/230	575	575
	Phase	1	1	3	3
	Hz	60	60	60	60
	Minimum Circuit Ampacity	42	46	14	19
	Minimum Overcurrent Protection Device Size	50	60	20	25
	Maximum Overcurrent Protection Device Size	60	70	20	30
Compressor Motor	No.	1	1	1	1
	Volts	208/230	208/230	575	575
	Phase	1	1	3	3
	RPM	3450	3450	3450	3450
	HP, Compressor	4	4	4	4
	Amps (RLA), Comp.	25	25	3.4	3.4
	Amps (LRA), Comp.	134	134	39.5	39.5
Condenser Motor	No.	1	1	1	1
	Volts	208/230	208/230	575	575
	Phase	1	1	1	1
	HP	1/2	1/2	1/2	1/2
	Amps (FLA, each)	2.5	2.5	1.1	1.1
	Amps (LRA, each)	5.6	5.6	2.5	2.5
Evaporator Fan	No.	1	1	1	1
	Volts	208/230	208/230	208/230	208/230
	Phase	1	1	1	1
	HP	1	1 1/2	1	1 1/2
	Amps (FLA, each)	7.6	11.5	7.6	11.5

ELECTRICAL DATA – RACCZT SERIES

		036ACT	036ACU	036ADT	036ADU	036AJT
Unit Information	Unit Operating Voltage Range	187-253	187-253	418-506	418-506	187-253
	Volts	208/230	208/230	460	460	208/230
	Phase	3	3	3	3	1
	Hz	60	60	60	60	60
	Minimum Circuit Ampacity	23	28	11	11	29
	Minimum Overcurrent Protection Device Size	25	35	15	15	35
Compressor Motor	Maximum Overcurrent Protection Device Size	30	35	15	15	40
	No.	1	1	1	1	1
	Volts	208/230	208/230	460	460	208/230
	Phase	3	3	3	3	1
	RPM	3500	3500	3500	3500	3500
	Amps (RLA), Comp.	10.1	10.1	4.7	4.7	15.4
Condenser Motor	Amps (LRA), Comp.	88	88	44.3	44.3	92
	No.	1	1	1	1	1
	Volts	208/230	208/230	460	460	208/230
	Phase	1	1	1	1	1
	HP	1/3	1/3	1/3	1/3	1/3
	Amps (FLA, each)	3.5	3.5	1.6	1.6	3.5
Evaporator Fan	Amps (LRA, each)	N/A	N/A	N/A	N/A	N/A
	No.	1	1	1	1	1
	Volts	208/230	208/230	460	460	208/230
	Phase	1	1	1	1	1
	HP	3/4	1 1/2	3/4	1	3/4
Amps (FLA, each)	6	11.5	2.7	3.5	6	

ELECTRICAL DATA – RACCZT SERIES

		048ACT	048ACU	048ADT	048ADU	048AJT
Unit Information	Unit Operating Voltage Range	187-253	187-253	418-506	418-506	187-253
	Volts	208/230	208/230	460	460	208/230
	Phase	3	3	3	3	1
	Hz	60	60	60	60	60
	Minimum Circuit Ampacity	28	33	14	15	37
	Minimum Overcurrent Protection Device Size	35	40	20	20	45
	Maximum Overcurrent Protection Device Size	40	45	20	20	50
Compressor Motor	No.	1	1	1	1	1
	Volts	208/230	208/230	460	460	208/230
	Phase	3	3	3	3	1
	RPM	3500	3500	3500	3500	3500
	Amps (RLA), Comp.	12.8	12.8	7.1	7.1	19.9
	Amps (LRA), Comp.	105.3	105.3	61.8	61.8	126.5
Condenser Motor	No.	1	1	1	1	1
	Volts	208/230	208/230	460	460	208/230
	Phase	1	1	1	1	1
	HP	1/2	1/2	1/2	1/2	1/2
	Amps (FLA, each)	5.3	5.3	5.3	2.3	5.3
	Amps (LRA, each)	N/A	N/A	N/A	N/A	N/A
Evaporator Fan	No.	1	1	1	1	1
	Volts	208/230	208/230	460	460	208/230
	Phase	1	1	1	1	1
	HP	3/4	1 1/2	3/4	1	3/4
	Amps (FLA, each)	6	11.5	2.7	3.5	6

ELECTRICAL DATA – RACCZT SERIES

		060ACT	060ACU	060ADT	060ADU	060AJT
Unit Information	Unit Operating Voltage Range	187-253	187-253	418-506	418-506	187-253
	Volts	208/230	208/230	460	460	208/230
	Phase	3	3	3	3	1
	Hz	60	60	60	60	60
	Minimum Circuit Ampacity	34	38	15	15	45
	Minimum Overcurrent Protection Device Size	40	45	20	20	60
Compressor Motor	Maximum Overcurrent Protection Device Size	45	50	20	20	70
	No.	1	1	1	1	1
	Volts	208/230	208/230	460	460	208/230
	Phase	3	3	3	3	1
	RPM	3500	3500	3500	3500	3500
	Amps (RLA), Comp.	16.4	16.4	6.9	6.9	25.6
Condenser Motor	Amps (LRA), Comp.	110	110	54.7	54.7	158
	No.	1	1	1	1	1
	Volts	208/230	208/230	460	460	208/230
	Phase	1	1	1	1	1
	HP	1/2	1/2	1/2	1/2	1/2
	Amps (FLA, each)	5.3	5.3	2.3	2.3	5.3
Evaporator Fan	Amps (LRA, each)	N/A	N/A	N/A	N/A	N/A
	No.	1	1	1	1	1
	Volts	208/230	208/230	460	460	208/230
	Phase	1	1	1	1	1
	HP	1	1 1/2	1	1 1/5	1
Amps (FLA, each)	7.6	11.5	3.5	3.7	7.6	

ELECTRICAL DATA – RACCZT SERIES

		072ACT	072ACU	072ADT	072ADU
Unit Information	Unit Operating Voltage Range	187-253	187-253	418-506	418-506
	Volts	208/230	208/230	460	460
	Phase	3	3	3	3
	Hz	60	60	60	60
	Minimum Circuit Ampacity	35	35	18	18
	Minimum Overcurrent Protection Device Size	40	40	20	20
	Maximum Overcurrent Protection Device Size	50	50	25	25
Compressor Motor	No.	1	1	1	1
	Volts	208/230	208/230	460	460
	Phase	3	3	3	3
	RPM	3450	3450	3450	3450
	HP, Compressor	5	5	5	5
	Amps (RLA), Comp.	17.6	17.6	8.5	8.5
	Amps (LRA), Comp.	136	136	66.1	66.1
Condenser Motor	No.	1	1	1	1
	Volts	208/230	208/230	460	460
	Phase	1	1	1	1
	HP	3/4	3/4	3/4	3/4
	Amps (FLA, each)	4.2	4.2	2.3	2.3
	Amps (LRA, each)	5.6	5.6	3.1	3.1
Evaporator Fan	No.	1	1	1	1
	Volts	208/230	208/230	460	460
	Phase	1	1	1	1
	HP	1 1/5	1 1/5	1 1/5	1 1/5
	Amps (FLA, each)	8.0	8.0	4.8	4.8

Electric Heat Data									
Unit Model Number RACCZR	Heater Kit Model No. RXJJ-	Heater kW @ 208/230V	Heater kW FLA	Unit Min. Ckt. Ampacity	Max Fuse or Ckt. Bkr. Size (Ckt Bkr Must Be HACR Type for USA)	Heater Kit Min. Ckt. Ampacity	Heater Kit Max Fuse or Ckt. Bkr. Size (Ckt Bkr Must Be HACR Type for USA)	Air Cond. Min. Ckt. Ampacity	Air Cond. Max Fuse or Ckt. Bkr. Size (Ckt Bkr Must Be HACR Type for USA)
036ACT HEATER KW	NONE	—	—	19/19	25/25	—	—	19/19	25/25
	DC10CP	7.5/10	20.9/24.1	34/38	35/40	27/31	30/35	19/19	25/25
	DC15CP	11.3/15	31.4/36.2	47/53	50/60	40/46	40/50	19/19	25/25
	DC20CP	15/20	41.7/48.1	60/68	60/70	53/61	60/70	19/19	25/25
036ACU HEATER KW	NONE	—	—	25/25	35/35	—	—	25/25	35/35
	DC10CP	7.5/10	20.9/24.1	41/45	45/45	27/31	30/35	25/25	35/35
	DC15CP	11.3/15	31.4/36.2	54/60	60/60	40/46	40/50	25/25	35/35
	DC20CP	15/20	41.7/48.1	67/75	70/80	53/61	60/70	25/25	35/35
048ACT HEATER KW	NONE	—	—	25/25	35/35	—	—	25/25	35/35
	DC10CP	7.5/10	20.9/24.1	34/38	35/40	27/31	30/35	25/25	35/35
	DC15CP	11.3/15	31.4/36.2	47/53	50/60	40/46	40/50	25/25	35/35
	DC20CP	15/20	41.7/48.1	60/68	60/70	53/61	60/70	25/25	35/35
048ACU HEATER KW	NONE	—	—	31/31	40/40	—	—	31/31	40/40
	DC10CP	7.5/10	20.9/24.1	41/45	45/45	27/31	30/35	31/31	40/40
	DC15CP	11.3/15	31.4/36.2	54/60	60/60	40/46	40/50	31/31	40/40
	DC20CP	15/20	41.7/48.1	67/75	70/80	53/61	60/70	31/31	40/40
060ACT HEATER KW	NONE	—	—	30/30	45/45	—	—	30/30	45/45
	DC10CP	7.5/10	20.9/24.1	36/40	45/45	27/31	30/35	30/30	45/45
	DC15CP	11.3/15	31.4/36.2	49/55	50/60	40/46	40/50	30/30	45/45
	DC20CP	15/20	41.7/48.1	62/70	70/70	53/61	60/70	30/30	45/45
060ACU HEATER KW	NONE	—	—	34/34	45/45	—	—	34/34	45/45
	DC10CP	7.5/10	20.9/24.1	41/45	45/45	27/31	30/35	34/34	45/45
	DC15CP	11.3/15	31.4/36.2	54/60	50/60	40/46	40/50	34/34	45/45
	DC20CP	15/20	41.7/48.1	67/75	70/70	53/61	60/70	34/34	45/45

Electric Heat Data

Unit Model Number RACCZR	Heater Kit Model No. RXJJ-	Heater kW @ 208/230V	Heater kW FLA	Unit Min. Ckt. Ampacity	Max Fuse or Ckt. Bkr. Size (Ckt Bkr Must Be HACR Type for USA)	Heater Kit Min. Ckt. Ampacity	Heater Kit Max Fuse or Ckt. Bkr. Size (Ckt Bkr Must Be HACR Type for USA)	Air Cond. Min. Ckt. Ampacity	Air Cond. Max Fuse or Ckt. Bkr. Size (Ckt Bkr Must Be HACR Type for USA)
036ADT HEATER KW	NONE	—	—	11	15	—	—	11	15
	DC10DNV	10	12	19	20	15	15	11	15
	DC15DNV	15	18.1	27	30	23	25	11	15
	DC20DNV	20	24.1	35	35	31	35	11	15
036ADU HEATER KW	NONE	—	—	10	15	—	—	10	15
	DC10DNV	10	12	18	20	15	15	10	15
	DC15DNV	15	18.1	26	30	23	25	10	15
	DC20DNV	20	24.1	33	35	31	35	10	15
048ADT HEATER KW	NONE	—	—	14	15	—	—	13	15
	DC10DNV	10	12	19	20	15	15	13	15
	DC15DNV	15	18.1	27	30	23	25	13	15
	DC20DNV	20	24.1	35	35	31	35	13	15
048ADU HEATER KW	NONE	—	—	13	15	—	—	12	15
	DC10DNV	10	12	18	20	15	15	12	15
	DC15DNV	15	18.1	26	30	23	25	12	15
	DC20DNV	20	24.1	33	35	31	35	12	15
060ADT HEATER KW	NONE	—	—	16	20	—	—	15	20
	DC10DNV	10	12	20	20	15	15	15	20
	DC15DNV	15	18.1	28	30	23	25	15	20
	DC20DNV	20	24.1	36	40	31	35	15	20
060ADU HEATER KW	NONE	—	—	17	20	—	—	16	20
	DC10DNV	10	12	21	25	15	15	16	20
	DC15DNV	15	18.1	29	30	23	25	16	20
	DC20DNV	20	24.1	37	40	31	35	16	20

Electric Heat Data									
Unit Model Number RACCZR	Heater Kit Model No. RXJJ-	Heater kW @ 208/230V	Heater kW FLA	Unit Min. Ckt. Ampacity	Max Fuse or Ckt. Bkr. Size (Ckt Bkr Must Be HACR Type for USA)	Heater Kit Min. Ckt. Ampacity	Heater Kit Max Fuse or Ckt. Bkr. Size (Ckt Bkr Must Be HACR Type for USA)	Air Cond. Min. Ckt. Ampacity	Air Cond. Max Fuse or Ckt. Bkr. Size (Ckt Bkr Must Be HACR Type for USA)
036AJT HEATER KW	NONE	—	—	25/25	35/35	—	—	25/25	35/35
	DC10JT	7.5/10	36.2/41.7	53/60	60/60	46/53	50/60	25/25	35/35
	DC15JT	11.3/15	54.3/62.7	76/86	80/90	68/79	70/80	25/25	35/35
	DC20JT	15/20	72.2/83.3	98/112	100/125	91/105	100/110	25/25	35/35
036AJU HEATER KW	NONE	—	—	31/31	40/40	—	—	31/31	40/40
	DC10JT	7.5/10	36.2/41.7	60/67	60/70	46/53	50/60	31/31	40/40
	DC15JT	11.3/15	54.3/62.7	83/93	90/100	68/79	70/80	31/31	40/40
	DC20JT	15/20	72.2/83.3	105/119	110/125	91/105	100/110	31/31	40/40
048AJT HEATER KW	NONE	—	—	34/34	50/50	—	—	34/34	50/50
	DC10JT	7.5/10	36.2/41.7	53/60	60/60	46/53	50/60	34/34	50/50
	DC15JT	11.3/15	54.3/62.7	76/86	80/90	68/79	70/80	34/34	50/50
	DC20JT	15/20	72.2/83.3	98/112	100/125	91/105	100/110	34/34	50/50
048AJU HEATER KW	NONE	—	—	40/40	50/50	—	—	40/40	50/50
	DC10JT	7.5/10	36.2/41.7	60/67	60/70	46/53	50/60	40/40	50/50
	DC15JT	11.3/15	54.3/62.7	83/93	90/100	68/79	70/80	40/40	50/50
	DC20JT	15/20	72.2/83.3	105/119	110/125	91/105	100/110	40/40	50/50
060AJT HEATER KW	NONE	—	—	42/42	60/60	—	—	42/42	60/60
	DC10JT	7.5/10	36.2/41.7	55/62	60/70	46/53	50/60	42/42	60/60
	DC15JT	11.3/15	54.3/62.7	78/88	80/90	68/79	70/80	42/42	60/60
	DC20JT	15/20	72.2/83.3	100/114	100/125	91/105	100/110	42/42	60/60
060AJU HEATER KW	NONE	—	—	46/46	70/70	—	—	46/46	70/70
	DC10JT	7.5/10	36.2/41.7	60/67	70/70	46/53	50/60	46/46	70/70
	DC15JT	11.3/15	54.3/62.7	83/93	90/100	68/79	70/80	46/46	70/70
	DC20JT	15/20	72.2/83.3	105/119	110/125	91/105	100/110	46/46	70/70

Electric Heat Data

Unit Model Number RACCZR	Heater Kit Model No. RXJJ-	Heater kW @ 600V	Heater kW FLA	Unit Min. Ckt. Ampacity	Max Fuse or Ckt. Bkr. Size (Ckt Bkr Must Be HACR Type for USA)	Heater Kit Min. Ckt. Ampacity	Heater Kit Max Fuse or Ckt. Bkr. Size (Ckt Bkr Must Be HACR Type for USA)	Air Cond. Min. Ckt. Ampacity	Air Cond. Max Fuse or Ckt. Bkr. Size (Ckt Bkr Must Be HACR Type for USA)
036AYT HEATER KW	NONE	—	—	12	15	—	—	12	35/35
	DC10Y	10	9.6	20	20	12	15	12	35/35
	DC15Y	15	14.5	26	30	19	20	12	35/35
	DC20Y	20	19.3	32	35	25	25	12	35/35
036AYU HEATER KW	NONE	—	—	19	30	—	—	19	40/40
	DC10Y	10	9.6	27	35	12	15	19	40/40
	DC15Y	15	14.5	33	40	19	20	19	40/40
	DC20Y	20	19.3	39	45	25	25	19	40/40
048AYT HEATER KW	NONE	—	—	13	15	—	—	13	50/50
	DC10Y	10	9.6	20	20	12	15	13	50/50
	DC15Y	15	14.5	26	30	19	20	13	50/50
	DC20Y	20	19.3	32	35	25	25	13	50/50
048AYU HEATER KW	NONE	—	—	20	30	—	—	20	50/50
	DC10Y	10	9.6	27	35	12	15	20	50/50
	DC15Y	15	14.5	33	40	19	20	20	50/50
	DC20Y	20	19.3	39	45	25	25	20	50/50
060AYT HEATER KW	NONE	—	—	14	20	—	—	14	60/60
	DC15Y	10	9.6	22	25	12	15	14	60/60
	DC20Y	15	14.5	28	30	19	20	14	60/60
	DC24Y	20	19.3	34	35	25	25	14	60/60
060AYU HEATER KW	NONE	—	—	19	30	—	—	19	70/70
	DC15Y	10	9.6	27	35	12	15	19	70/70
	DC20Y	15	14.5	33	40	19	20	19	70/70
	DC24Y	20	19.3	39	45	25	25	19	70/70

Electric Heat Data									
Unit Model Number RACCZT	Heater Kit Model No. RXJJ-	Heater kW @ 208/240V	Heater kW FLA	Unit Min. Ckt. Ampacity	Max Fuse or Ckt. Bkr. Size (Ckt Bkr Must Be HACR Type for USA)	Heater Kit Min. Ckt. Ampacity	Heater Kit Max Fuse or Ckt. Bkr. Size (Ckt Bkr Must Be HACR Type for USA)	Air Cond. Min. Ckt. Ampacity	Air Cond. Max Fuse or Ckt. Bkr. Size (Ckt Bkr Must Be HACR Type for USA)
036ACT HEATER KW	NONE	—	—	23/23	30/30	—	—	23/23	30/30
	DC10CP	7.5/10	20.9/24.1	34/38	35/40	27/31	30/35	23/23	30/30
	DC15CP	11.3/15	31.4/36.2	47/53	50/60	40/46	40/50	23/23	30/30
	DC20CP	15/20	41.7/48.1	60/68	60/70	53/61	60/70	23/23	30/30
036ACU HEATER KW	NONE	—	—	28/28	35/35	—	—	28/28	35/35
	DC10CP	7.5/10	20.9/24.1	41/45	45/45	27/31	30/35	28/28	35/35
	DC15CP	11.3/15	31.4/36.2	54/60	60/60	40/46	40/50	28/28	35/35
	DC20CP	15/20	41.7/48.1	67/75	70/80	53/61	60/70	28/28	35/35
048ACT HEATER KW	NONE	—	—	25/25	35/35	—	—	25/25	35/35
	DC10CP	7.5/10	20.9/24.1	34/38	35/40	27/31	30/35	25/25	35/35
	DC15CP	11.3/15	31.4/36.2	47/53	50/60	40/46	40/50	25/25	35/35
	DC20CP	15/20	41.7/48.1	60/68	60/70	53/61	60/70	25/25	35/35
048ACU HEATER KW	NONE	—	—	31/31	40/40	—	—	31/31	40/40
	DC10CP	7.5/10	20.9/24.1	41/45	45/45	27/31	30/35	31/31	40/40
	DC15CP	11.3/15	31.4/36.2	54/60	60/60	40/46	40/50	31/31	40/40
	DC20CP	15/20	41.7/48.1	67/75	70/80	53/61	60/70	31/31	40/40
060ACT HEATER KW	NONE	—	—	30/30	45/45	—	—	30/30	45/45
	DC10CP	7.5/10	20.9/24.1	36/40	45/45	27/31	30/35	30/30	45/45
	DC15CP	11.3/15	31.4/36.2	49/55	50/60	40/46	40/50	30/30	45/45
	DC20CP	15/20	41.7/48.1	62/70	70/70	53/61	60/70	30/30	45/45
060ACU HEATER KW	NONE	—	—	34/34	45/45	—	—	34/34	45/45
	DC10CP	7.5/10	20.9/24.1	41/45	45/45	27/31	30/35	34/34	45/45
	DC15CP	11.3/15	31.4/36.2	54/60	50/60	40/46	40/50	34/34	45/45
	DC20CP	15/20	41.7/48.1	67/75	70/70	53/61	60/70	34/34	45/45
072ACT HEATER KW	NONE	—	—	35/35	50/50	—	—	35/35	50/50
	DC15CP	11.3/15.0	31.4/36.2	50/56	50/60	40/46	40/50	35/35	50/50
	DC20CP	15.0/20.0	41.7/48.1	63/71	70/80	53/61	60/70	35/35	50/50
	DC24CP	18.0/24.0	50.0/57.7	73/83	80/90	63/73	70/80	35/35	50/50
072ACU HEATER KW	NONE	—	—	35/35	50/50	—	—	35/35	50/50
	DC15CP	11.3/15.1	31.4/36.3	50/56	50/60	40/46	40/50	35/35	50/50
	DC20CP	15.0/20.0	41.7/48.1	63/71	70/80	53/61	60/70	35/35	50/50
	DC24CP	18.0/24.0	50.0/57.7	73/83	80/90	63/73	70/80	35/35	50/50

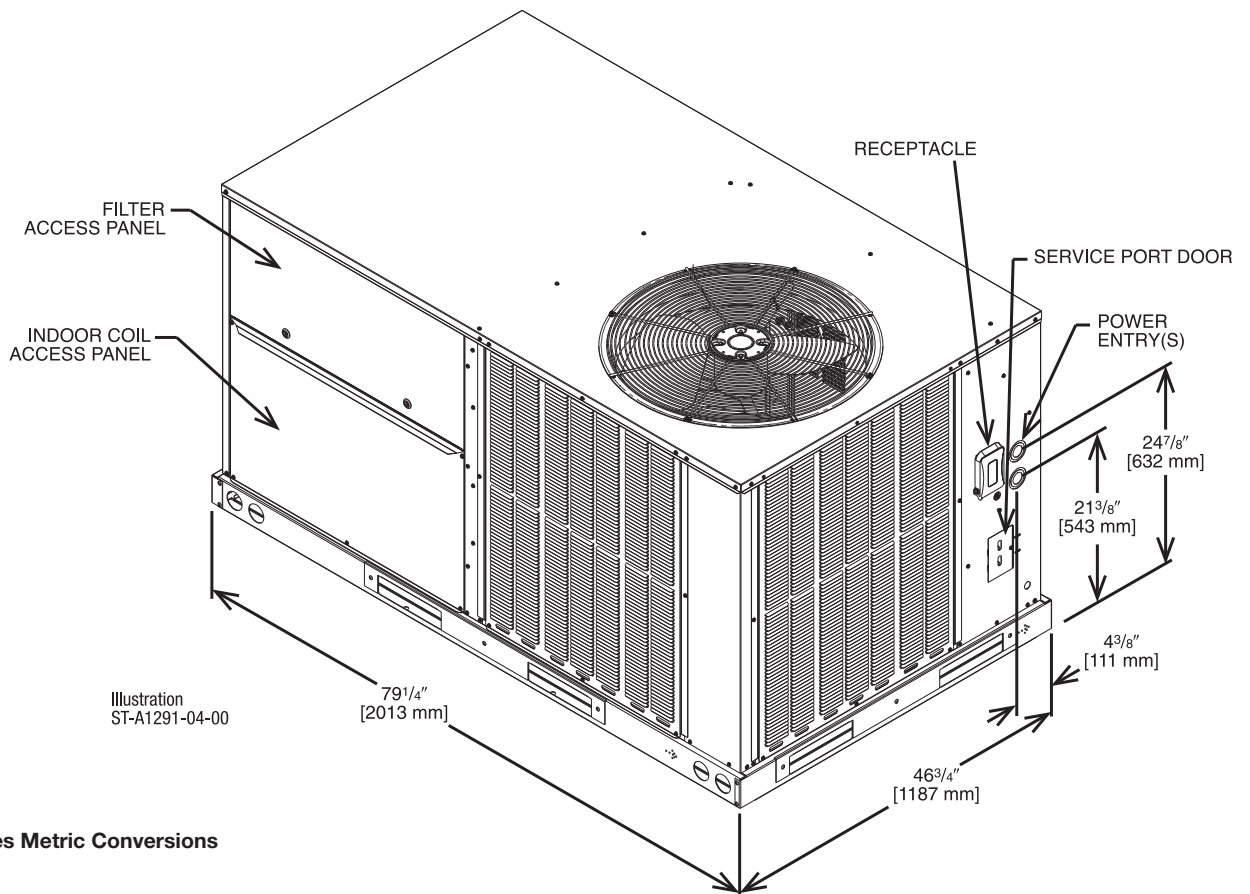
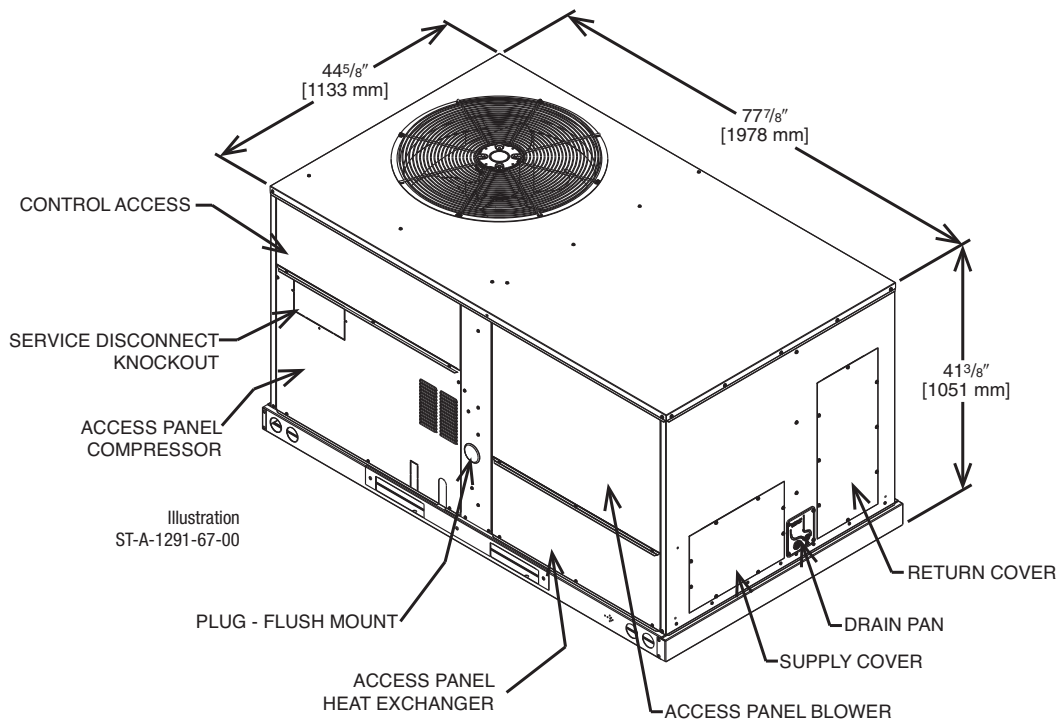
Electric Heat Data

Unit Model Number RACCZT	Heater Kit Model No. RXJJ-	Heater kW @ 480V	Heater kW FLA	Unit Min. Ckt. Ampacity	Max Fuse or Ckt. Bkr. Size (Ckt Bkr Must Be HACR Type for USA)	Heater Kit Min. Ckt. Ampacity	Heater Kit Max Fuse or Ckt. Bkr. Size (Ckt Bkr Must Be HACR Type for USA)	Air Cond. Min. Ckt. Ampacity	Air Cond. Max Fuse or Ckt. Bkr. Size (Ckt Bkr Must Be HACR Type for USA)
036ADT HEATER KW	NONE	—	—	11	15	—	—	11	15
	DC10DNV	10	12.0	19	20	15	15	11	15
	DC15DNV	15	18.1	26	30	23	25	11	15
	DC20DNV	20	24.1	34	35	31	35	11	15
036ADU HEATER KW	NONE	—	—	11	15	—	—	11	15
	DC10DNV	10	12.0	20	20	15	15	11	15
	DC15DNV	15	18.1	27	30	23	25	11	15
	DC20DNV	20	24.1	35	35	31	35	11	15
048ADT HEATER KW	NONE	—	—	14	15	—	—	13	15
	DC10DNV	10	12.0	19	20	15	15	13	15
	DC15DNV	15	18.1	27	30	23	25	13	15
	DC20DNV	20	24.1	35	35	31	35	13	15
048ADU HEATER KW	NONE	—	—	13	15	—	—	12	15
	DC10DNV	10	12.0	18	20	15	15	12	15
	DC15DNV	15	18.1	26	30	23	25	12	15
	DC20DNV	20	24.1	33	35	31	35	12	15
060ADT HEATER KW	NONE	—	—	16	20	—	—	15	20
	DC10DNV	10	12.0	20	20	15	15	15	20
	DC15DNV	15	18.1	28	30	23	25	15	20
	DC20DNV	20	24.1	36	40	31	35	15	20
060ADU HEATER KW	NONE	—	—	17	20	—	—	16	20
	DC10DNV	10	12.0	21	25	15	15	16	20
	DC15DNV	15	18.1	29	30	23	25	16	20
	DC20DNV	20	24.1	37	40	31	35	16	20
072ADT HEATER KW	NONE	—	—	18	25	—	—	18	25
	DC15DNV	15	18.1	29	30	23	25	18	25
	DC20DNV	20	24.1	37	40	31	35	18	25
	DC24DNV	24	28.9	43	45	37	40	18	25
072ADU HEATER KW	NONE	—	—	18	25	—	—	18	25
	DC15DNV	15	18.1	29	30	23	25	18	25
	DC20DNV	20	24.1	37	40	31	35	18	25
	DC24DNV	24	28.9	43	45	37	40	18	25

Electric Heat Data									
Unit Model Number RACCZT	Heater Kit Model No. RXJJ-	Heater kW @ 480V	Heater kW FLA	Unit Min. Ckt. Ampacity	Max Fuse or Ckt. Bkr. Size (Ckt Bkr Must Be HACR Type for USA)	Heater Kit Min. Ckt. Ampacity	Heater Kit Max Fuse or Ckt. Bkr. Size (Ckt Bkr Must Be HACR Type for USA)	Air Cond. Min. Ckt. Ampacity	Air Cond. Max Fuse or Ckt. Bkr. Size (Ckt Bkr Must Be HACR Type for USA)
036AJT HEATER KW	NONE	—	—	29/29	40/40	—	—	29/29	40/40
	DC10JT	7.5/10	36.2/41.7	53/60	60/60	46/53	50/60	29/29	40/40
	DC15JT	11.3/15	54.3/62.7	76/86	80/90	68/79	70/80	29/29	40/40
	DC20JT	15/20	72.2/83.3	98/112	100/125	91/105	100/110	29/29	40/40
048AJT HEATER KW	NONE	—	—	37/37	50/50	—	—	37/37	50/50
	DC10JT	7.5/10	36.2/41.7	53/60	60/60	46/53	50/60	37/37	50/50
	DC15JT	11.3/15	54.3/62.7	76/86	80/90	68/79	70/80	37/37	50/50
	DC20JT	15/20	72.2/83.3	98/112	100/125	91/105	100/110	37/37	50/50
060AJT HEATER KW	NONE	—	—	45/45	70/70	—	—	45/45	70/70
	DC10JT	7.5/10	36.2/41.7	55/62	60/70	46/53	50/60	45/45	70/70
	DC15JT	11.3/15	54.3/62.7	78/88	80/90	68/79	70/80	45/45	70/70
	DC20JT	15/20	72.2/83.3	100/114	100/125	91/105	100/110	45/45	70/70

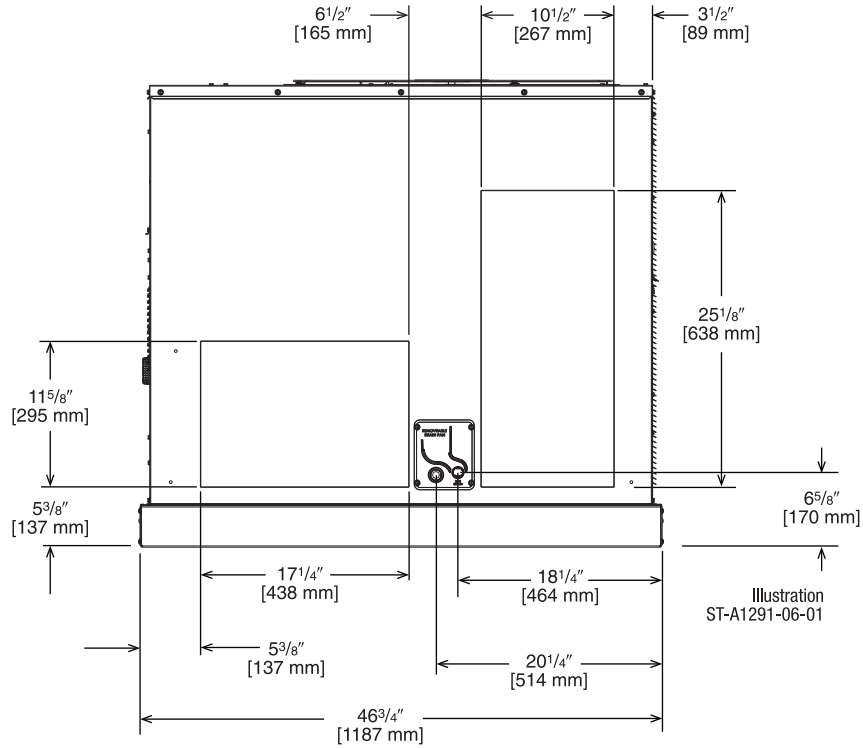
Electric Heat Data

Unit Model Number RACCZT	Heater Kit Model No. RXJJ-	Heater kW @ 480V	Heater kW FLA	Unit Min. Ckt. Ampacity	Max Fuse or Ckt. Bkr. Size (Ckt Bkr Must Be HACR Type for USA)	Heater Kit Min. Ckt. Ampacity	Heater Kit Max Fuse or Ckt. Bkr. Size (Ckt Bkr Must Be HACR Type for USA)	Air Cond. Min. Ckt. Ampacity	Air Cond. Max Fuse or Ckt. Bkr. Size (Ckt Bkr Must Be HACR Type for USA)
072AYT HEATER KW	NONE	—	—	16	20	—	—	16	20
	DC15Y	15	14.5	27	30	19	20	16	20
	DC20Y	20	19.3	33	35	25	25	16	20
	DC24Y	24	23.1	38	40	29	30	16	20
072AYU HEATER KW	NONE	—	—	16	20	—	—	16	20
	DC15Y	15	14.5	27	30	19	20	16	20
	DC20Y	20	19.3	33	35	25	25	16	20
	DC24Y	24	23.1	38	40	29	30	16	20

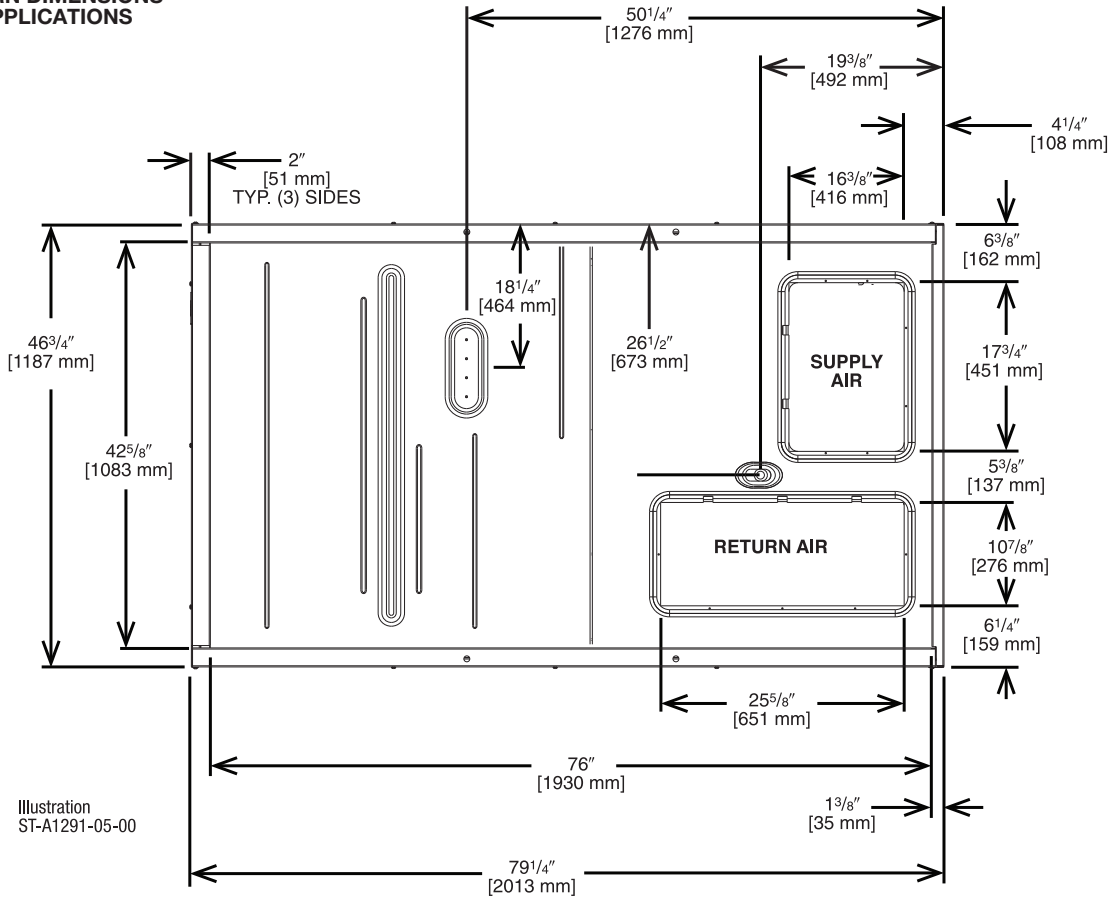


[] Designates Metric Conversions

SUPPLY AND RETURN DIMENSIONS FOR HORIZONTAL APPLICATIONS (SIDE VIEW)



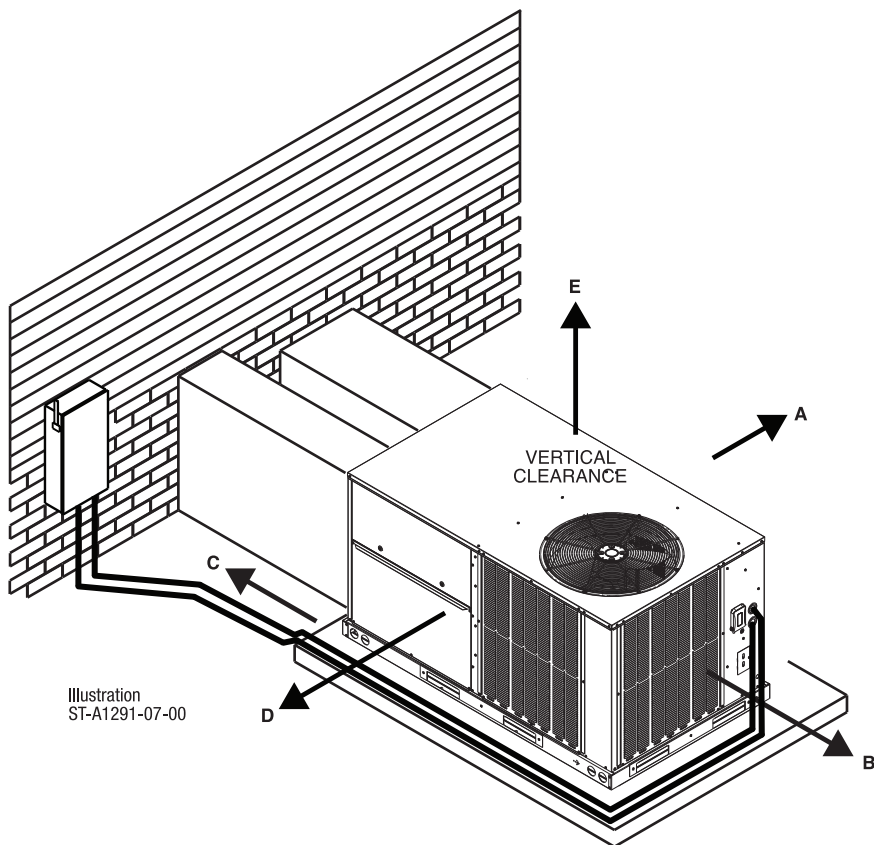
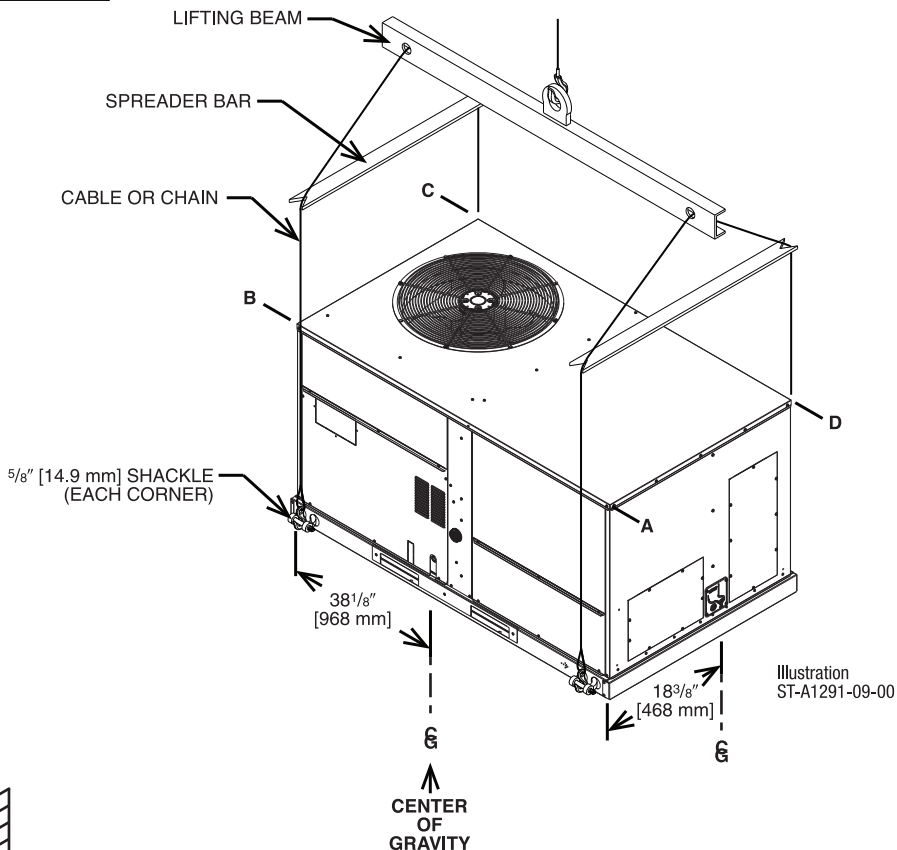
SUPPLY AND RETURN DIMENSIONS FOR DOWNFLOW APPLICATIONS (BOTTOM VIEW)



[] Designates Metric Conversions

WEIGHTS

Capacity Tons [kW]	Corner Weights by Percentage			
	A	B	C	D
3.0-6.0 [10.6-21.1]	21%	40%	12%	27%



CLEARANCES

THE FOLLOWING MINIMUM CLEARANCES MUST BE OBSERVED FOR PROPER UNIT PERFORMANCE AND SERVICEABILITY.

RECOMMENDED CLEARANCE In. [mm]	LOCATION
48 [1219]	A - FRONT
24 [609]	B - CONDENSER END
48 [1219] ①	C - DUCT END
24 [609] ②	*D - FILTER SIDE
60 [1524]	E - ABOVE

① 18" [457 mm] MINIMUM IF DRAINPAN WILL NOT BE REMOVED.

② 48" [1219 MM] MINIMUM IF ECONOMIZER IS INSTALLED.

[] Designates Metric Conversions

FIELD-INSTALLED ACCESSORY EQUIPMENT

Accessory	Model Number	Shipping Weight Lbs. [kg]	Installed Weight Lbs. [kg]	Factory Installation Available?
Economizer w/Single Enthalpy (Downflow/Vertical)	RXRD-01MCDAM3	100 [45.4]	66 [29.9]	Yes
Economizer w/Single Enthalpy (Horizontal)	RXRD-01MCHAM3	72 [32.7]	69 [31.3]	No
Economizer-w/Single Enthalpy (Downflow/Vertical) DDC	RXRD-01MCDBM3	100 [45.4]	66 [29.9]	Yes
Economizer w/Single Enthalpy (Horizontal) DDC	RXRD-01MCHBM3	72 [32.7]	69 [31.3]	No
Dual Enthalpy Kit	RXRX-BV01	1 [0.5]	1 [0.5]	No
Dual Enthalpy Kit DDC	RXRX-BV02	1 [0.5]	1 [0.5]	No
Power Exhaust (230V) Vertical	RXRX-CCF02C	24 [10.9]	21 [9.5]	No
Power Exhaust (460V) Vertical	RXRX-CCF02D	20 [9.1]	17 [7.7]	No
Power Exhaust (230V) Horizontal	RXRX-CCF03C	42 [19.1]	39 [17.7]	No
Power Exhaust (460V) Horizontal	RXRX-CCF03D	42 [19.1]	39 [17.7]	No
Manual Fresh Air Damper	RXRF-ACA1	22 [10.0]	18 [8.2]	No
Motorized Fresh Air Damper	RXRF-ACB1	53 [24.0]	43 [19.5]	No
Motorized Fresh Air Damper (DDC)	RXRF-ACC1	53 [24.0]	43 [19.5]	No
Roofcurb, 14"	RXKG-DCC14	94 [42.6]	90 [40.8]	No
Roofcurb, 24"	RXKG-DCC24	124 [56.2]	120 [54.4]	No
Roofcurb Adapter	RXRX-DCCAE	159 [72.1]	145 [65.8]	No
Concentric Diffuser 3-4 Ton Flush	RXRN-AEF1800	30 [13.6]	25 [11.3]	No
Concentric Diffuser 5-6 Ton Flush	RXRN-AEF2000	30 [13.6]	25 [11.3]	No
Concentric Diffuser 3-4 Ton Drop	RXRN-AED1800	35 [15.9]	30 [13.6]	No
Concentric Diffuser 5-6 Ton Drop	RXRN-AED2000	35 [15.9]	30 [13.6]	No
Concentric Adapter 3-4 Ton Drop	RXMC-DC01	35 [15.9]	30 [13.6]	No
Concentric Adapter 5-6 Ton Drop	RXMC-DC02	40 [18.2]	35 [15.9]	No
Outdoor Coil Louver Kit	RXRX-ADD04C	30 [13.6]	25 [11.3]	Yes
Nonpowered Convenience Outlet	RXRX-BN01	2 [1.0]	1.5 [0.7]	Yes
Unfused Service Disconnect	RXRX-BP01	10 [4.5]	9 [4.1]	Yes
Comfort Alert (1 Phase) DDC	RXRX-AZ03	3 [1.5]	2 [0.9]	Yes
Comfort Alert (1 Phase) Non-DDC	RXRX-AZ04	3 [1.5]	2 [0.9]	Yes
Comfort Alert (3 Phase) DDC	RXRX-AZ01	3 [1.5]	2 [0.9]	Yes
Comfort Alert (3 Phase) Non-DDC	RXRX-AZ02	3 [1.5]	2 [0.9]	Yes
Carbon Dioxide Sensor (Wall Mount)	RXRX-AR02	1 [0.5]	1 [0.5]	No
BACnet Communication Card	RXRX-AY01	1 [0.5]	1 [0.5]	No
LonWorks Communication Card	RXRX-AY02	1 [0.5]	1 [0.5]	No
Room Humidity Sensor	RHC-ZNS4	1 [0.5]	1 [0.5]	No
Room Temperature and Relative Humidity Sensor	RHC-ZNS5	1 [0.5]	1 [0.5]	No
Low-Ambient Control Kit	RXRZ-A04	4 [1.8]	3 [1.4]	Yes
Freeze Stat Kit	RXRX-AM05	2 [1.0]	1.5 [0.7]	Yes
Return Smoke Detector (Field kit)	RXRX-BS01	7 [3.2]	6 [2.7]	No
Return/ Supply Smoke Detector (Field kit)	RXRX-BS02	5 [2.3]	4 [1.8]	No
LP Kit ((-)GEC 75K, 120K)	RXGJ-FP40	2 [1.0]	1 [0.5]	No
LP Kit ((-)GEC 100K)	RXGJ-FP41	2 [1.0]	1 [0.5]	No
Electric Heater Kits*	RXJJ-DC10JT	10 [4.5]	8 [3.6]	Yes
	RXJJ-DC15JT	13 [5.9]	11 [5.0]	Yes
	RXJJ-DC20JT	14 [6.4]	12 [5.4]	Yes
	RXJJ-DC10CP	10 [4.5]	8 [3.6]	Yes
	RXJJ-DC15CP	13 [5.9]	11 [5.0]	Yes
	RXJJ-DC20CP	14 [6.4]	12 [5.4]	Yes
	RXJJ-DC24CP	14 [6.4]	12 [5.4]	Yes
	RXJJ-DC10DNV	10 [4.5]	8 [3.6]	Yes
	RXJJ-DC15DNV	13 [5.9]	11 [5.0]	Yes
RXJJ-DC20DNV	14 [6.4]	12 [5.4]	Yes	
RXJJ-DC24DNV	14 [6.4]	12 [5.4]	Yes	
Single Point Wiring Kits	RXJX-AJ0601 (Single Phase)	20 [9.1]	17 [7.7]	No
	RXJX-AZ0601 (Three Phase)	23 [10.4]	20 [9.1]	No
MERV 8 Filter	RXMF-M08A21616	2 [0.9]	1 [0.45]	No
MERV 13 Filter	RXMF-M13A21616	2 [0.9]	1 [0.45]	No

*10kW options not available on 6 Ton models.

[] Designates Metric Conversions

FLUSH MOUNT ROOM TEMPERATURE SENSORS FOR NETWORKED DDC APPLICATIONS



**ROOM TEMPERATURE SENSOR
with TIMED OVERRIDE BUTTON**

RHC-ZNS1

10kΩ room temperature sensor transmits room temperature to DDC system. Timed override button allows tenant to change from unoccupied temperature setpoint to occupied temperature setpoint for a preset time.



**ROOM TEMPERATURE SENSOR
with TIMED OVERRIDE BUTTON and STATUS INDICATOR**

RHC-ZNS2

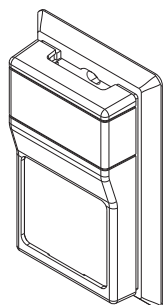
10kΩ room temperature sensor transmits room temperature to DDC system. Timed override button allows tenant to change from unoccupied temperature setpoint to occupied temperature setpoint for a preset time. Status Indicator Light transmits ALARM flash code to occupied space.



**ROOM TEMPERATURE SENSOR
with SETPOINT ADJUSTMENT and TIMED OVERRIDE BUTTON**

RHC-ZNS3

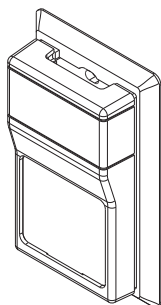
10kΩ room temperature sensor with setpoint adjustment transmits room temperature to DDC system along with desired occupied room temperature setpoint. Timed override button allows tenant to change from unoccupied temperature setpoint to occupied temperature setpoint for a preset time.



ROOM HUMIDITY SENSOR

RHC-ZNS4

Transmits room relative humidity to DDC System.



ROOM TEMPERATURE AND RELATIVE HUMIDITY SENSOR

RHC-ZNS5

Transmits room temperature and relative humidity to DDC System.

COMMUNICATION CARDS



BACnet® COMMUNICATION CARD RXXR-AY01

The field installed BACnet® Communication Card allows the RTU-C unit controller to communicate with a third party building management system that supports the BACnet Application Specific Controller device profile. The BACnet® Communication Module plugs onto the unit RTU-C controller and allows communication between the RTU-C and the BACnet MSTP network.



LonWorks® COMMUNICATION CARD RXXR-AY02

The field installed LonWorks® Communication Card allows the RTU-C unit controller to communicate with a third party building management system that supports the LonMark Space Comfort Controller (SCC) functional profile or LonMark Discharge Air Controller (DAC) functional profile. The LonMark Communication Module plugs onto the RTU-C controller and allows communication between the RTU-C and a LonWorks Network.

ELECTRIC HEAT AND SINGLE POINT WIRING

The field or factory electric heater kits are available in 10, 15 and 20 kW heating inputs, and for both single and 3-phase applications. The single point wiring kit is only available as a field installation accessory for units using electric heat, and also available for both single and 3-phase applications.

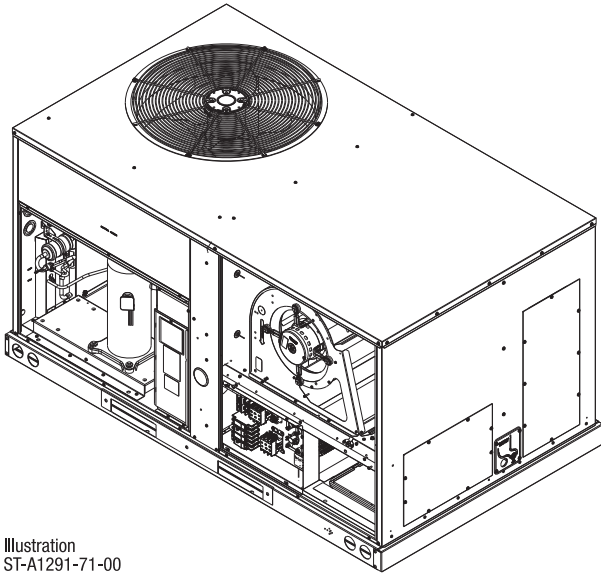
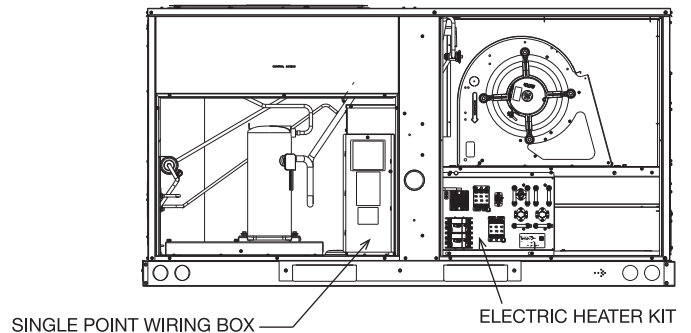


Illustration
ST-A1291-71-00



NON-DDC ECONOMIZER FOR DOWNFLOW DUCT INSTALLATION

Use in Select Field-Installed Optional Only

RXRD-01MCDAM3—Single Enthalpy (Outdoor)
RXRX-BV01—Dual Enthalpy Upgrade Kit
RXRX-AR02—Optional Wall-Mounted CO₂ Sensor

- Features **Honeywell JADE™** Digital Controls
- Available Factory Installed or Field Accessory
- Gear Driven Direct Drive Actuator
- Fully Modulating (0-100%)
- Ultra Low Leak Dampers meet California Title 24 requirements and ASHRAE 90.1 2019
- AMCA 511 Certified Class 1A Leakage—1" WG of differential pressure tested to AMCA Standard 500-D
- Slip-In Design for Easy Installation
- Plug-In Polarized 12-pin Electrical Connections
- Standard Barometric Relief Damper
- Single Enthalpy with Dual Enthalpy Upgrade Kit Available
- CO₂ Input Sensor Available
- Field Assembled Hood Ships with Economizer
- Economizer Ships Complete for Down-flow Duct Application
- Field Installed Power Exhaust Available
- Fault detections and diagnostics

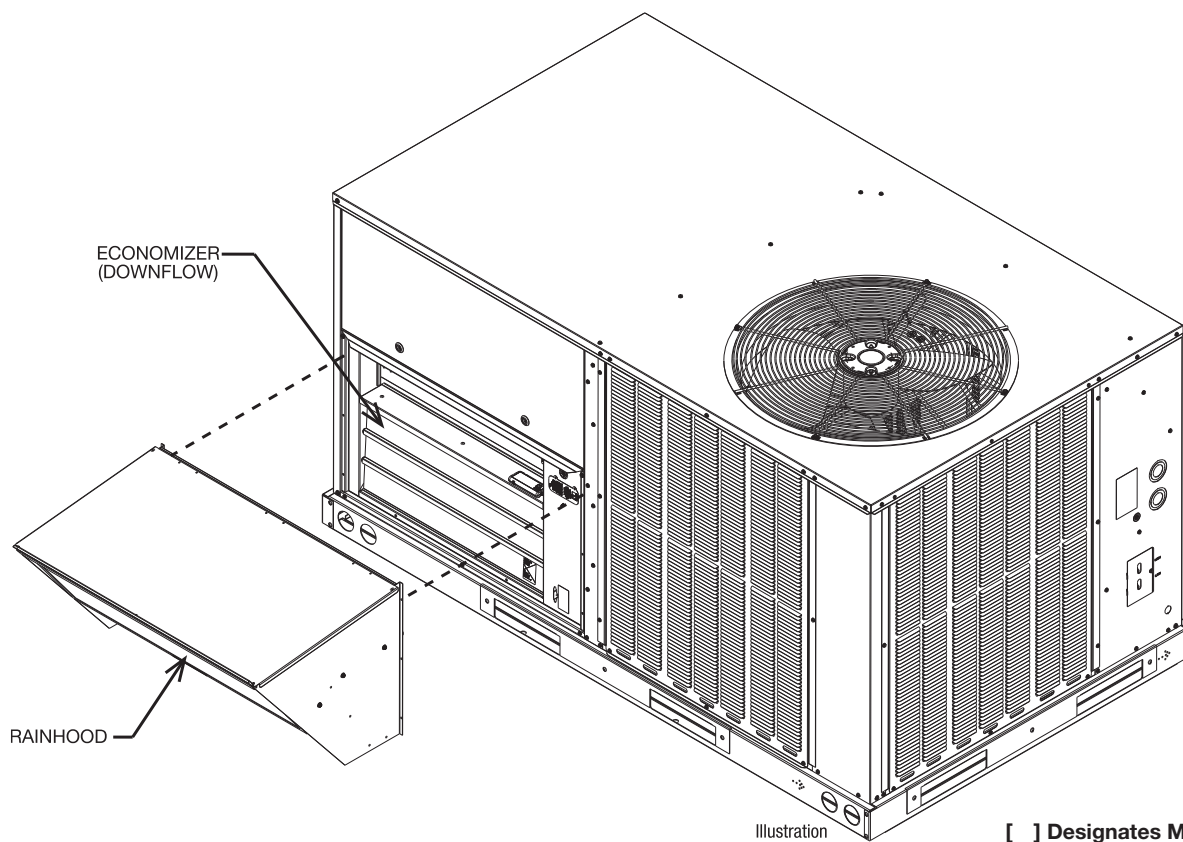
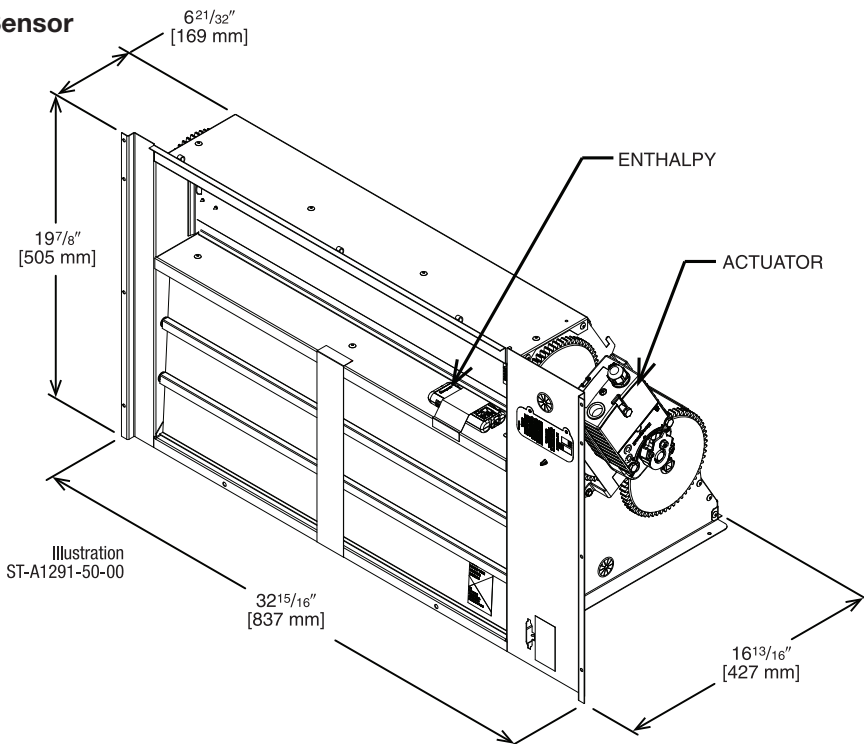


Illustration ST-A1291-21-00

[] Designates Metric Conversions

NON-DDC ECONOMIZER FOR HORIZONTAL DUCT INSTALLATION

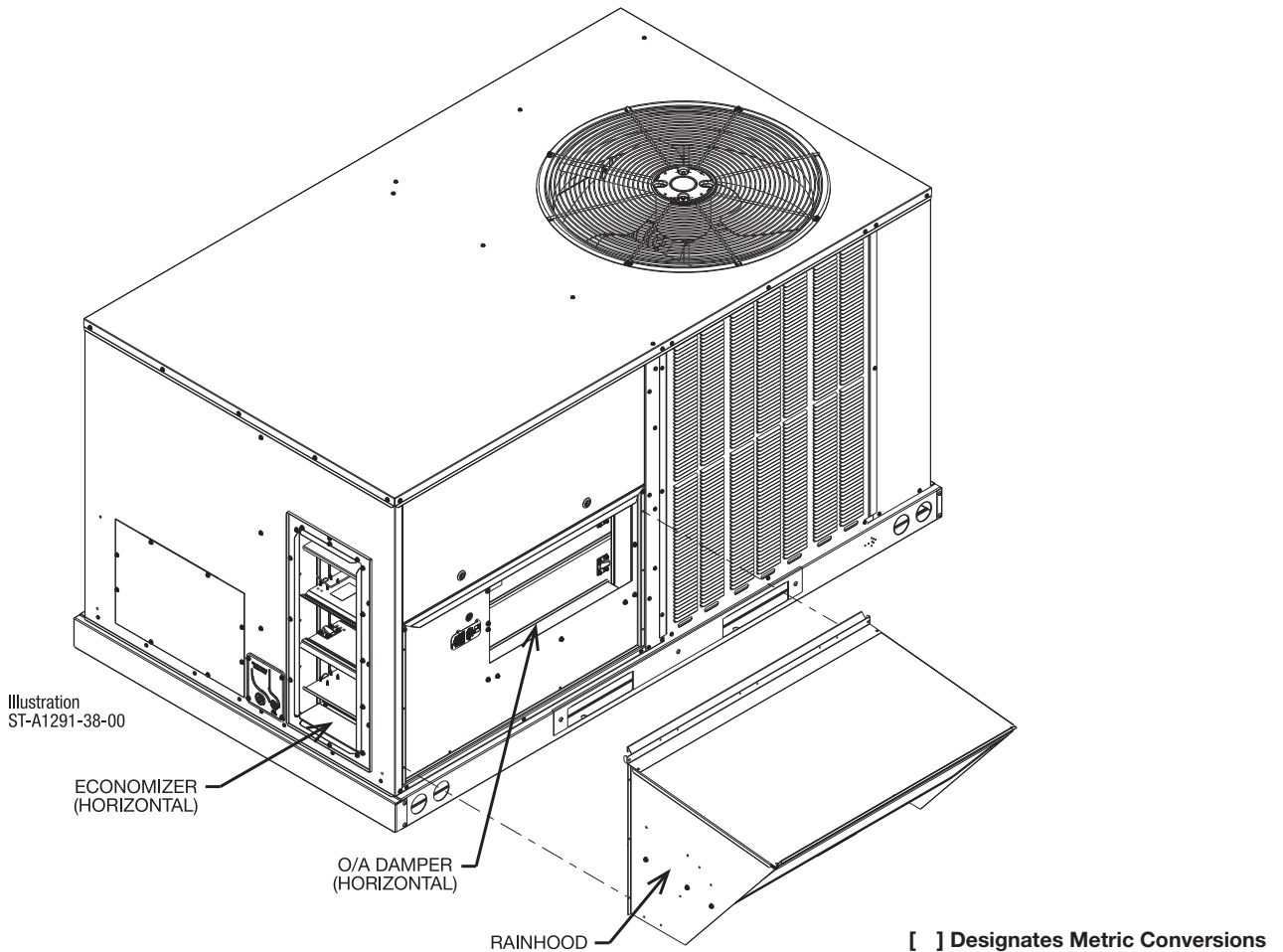
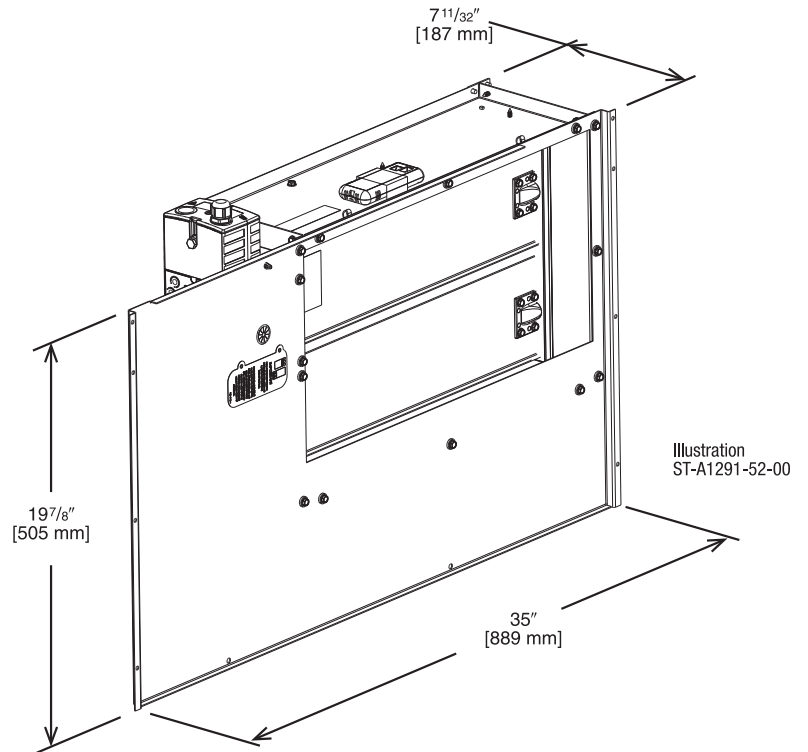
Field Installed Only

RXRD-01MCDAM3—Single Enthalpy (Outdoor)

RRRX-BV01—Dual Enthalpy Upgrade Kit

RRRX-AR02—Wall-mounted CO₂ Sensor

- Features **Honeywell JADE™** Digital Controls
- Available as a Field Installed Accessory Only
- Gear Driven Direct Drive Actuator
- Fully Modulating (0-100%)
- Ultra Low Leak Dampers meet California Title 24 requirements and ASHRAE 90.1 2019
- Slip-In Design for Easy Installation
- Standard Barometric Relief Damper
- Single Enthalpy with Dual Enthalpy Upgrade Kit Available
- CO₂ Input Sensor Available
- Field Assembled Hood Ships with Economizer
- Economizer Ships Complete for Horizontal Duct Application
- Field Installed Power Exhaust Available

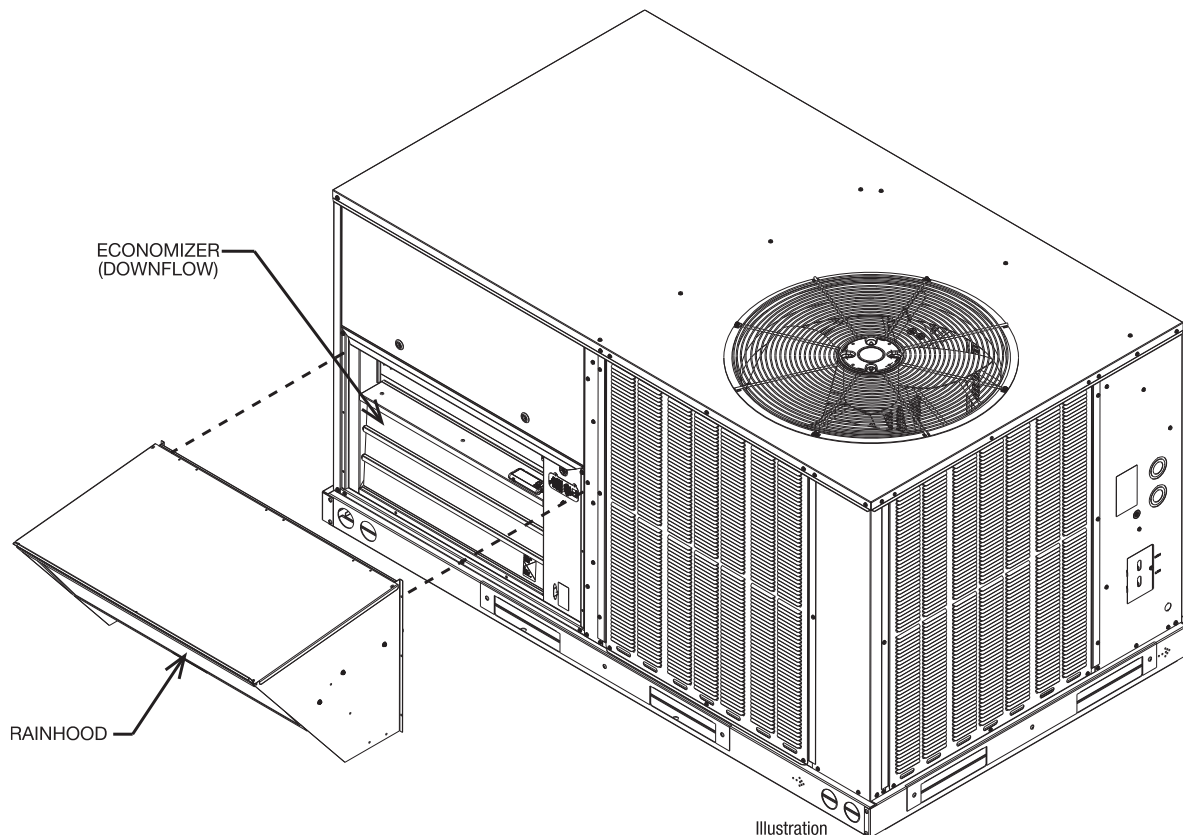
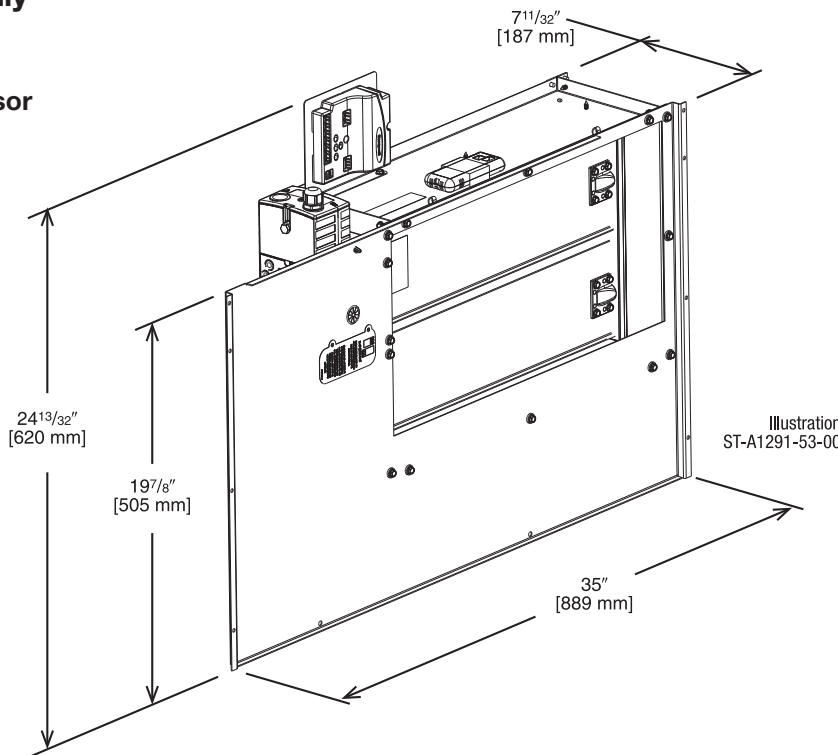


DDC—ECONOMIZER FOR DOWNFLOW DUCT INSTALLATION

Use in Select Field-Installed Optional Only

RXRD-01MDDBM3—Single Enthalpy (Outdoor)
RXXR-BV02—Dual Enthalpy Upgrade Kit
RXXR-AR02—Optional Wall-Mounted CO₂ Sensor
RXRD-01MCDBM3

- Features **Honeywell** Controls
- Available Factory Installed or Field Accessory
- Gear Driven Direct Drive Actuator
- Fully Modulating (0-100%)
- Ultra Low Leak Dampers meet California Title 24 requirements and ASHRAE 90.1 2019
- Slip-In Design for Easy Installation
- Standard Barometric Relief Damper
- Single Enthalpy with Dual Enthalpy Upgrade Kit Available
- CO₂ Input Sensor Available
- Field Assembled Hood Ships with Economizer
- Economizer Ships Complete for Downflow Duct Application
- Optional Remote Minimum Position Potentiometer (270 ohm) (Honeywell #S963B1136) is Available from Prostock
- Field Installed Power Exhaust Available
- Prewired for Smoke Detector
- If connected to a Building Automation System (BAS), all economizer functions can be viewed on the (BAS), or 16 x 2 LCD screen
- If connected to a thermostat, all economizer functions can be viewed on 16 x 2 LCD screen



[] Designates Metric Conversions

DDC — ECONOMIZER FOR HORIZONTAL DUCT INSTALLATION

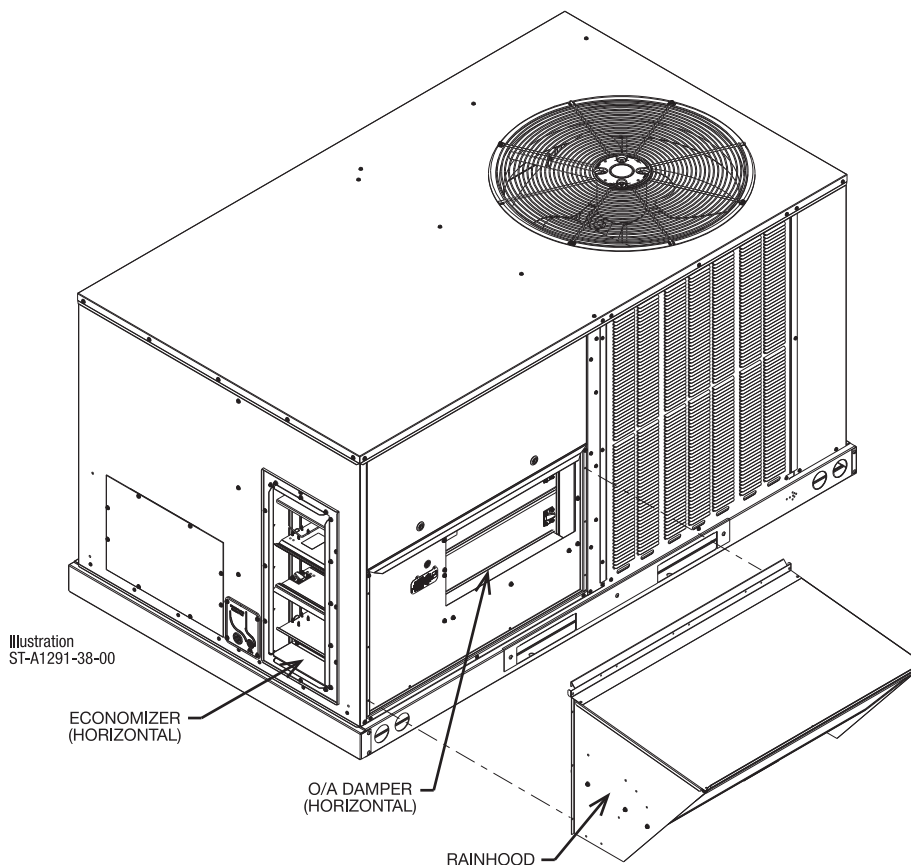
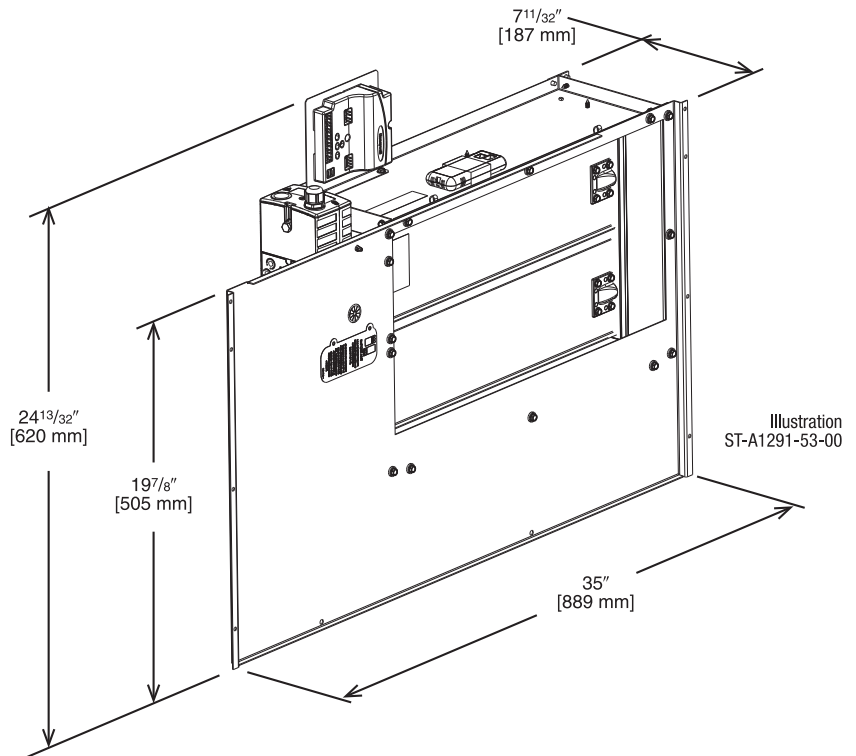
Field Installed Only

RXRD-01MCHBM3—Single Enthalpy (Outdoor)

RRRX-BV02—Dual Enthalpy Upgrade Kit

RRRX-AR02—Wall-mounted CO₂ Sensor

- Features **Honeywell** Controls
- Available as a Field Installed Accessory Only
- Gear Driven Direct Drive Actuator
- Fully Modulating (0-100%)
- Ultra Low Leak Dampers meet California Title 24 requirements and ASHRAE 90.1 2019
- Slip-In Design for Easy Installation
- Standard Barometric Relief Damper
- Single Enthalpy with Dual Enthalpy Upgrade Kit Available
- CO₂ Input Sensor Available
- Field Assembled Hood Ships with Economizer
- Economizer Ships Complete for Horizontal Duct Application
- Optional Remote Minimum Position Potentiometer (270 ohm) (Honeywell #S963B1136) is Available from Prostock
- Field Installed Power Exhaust Available
- If connected to a Building Automation System (BAS), all economizer functions can be viewed on the (BAS), or 16 x 2 LCD screen
- If connected to a thermostat, all economizer functions can be viewed on 16 x 2 LCD screen



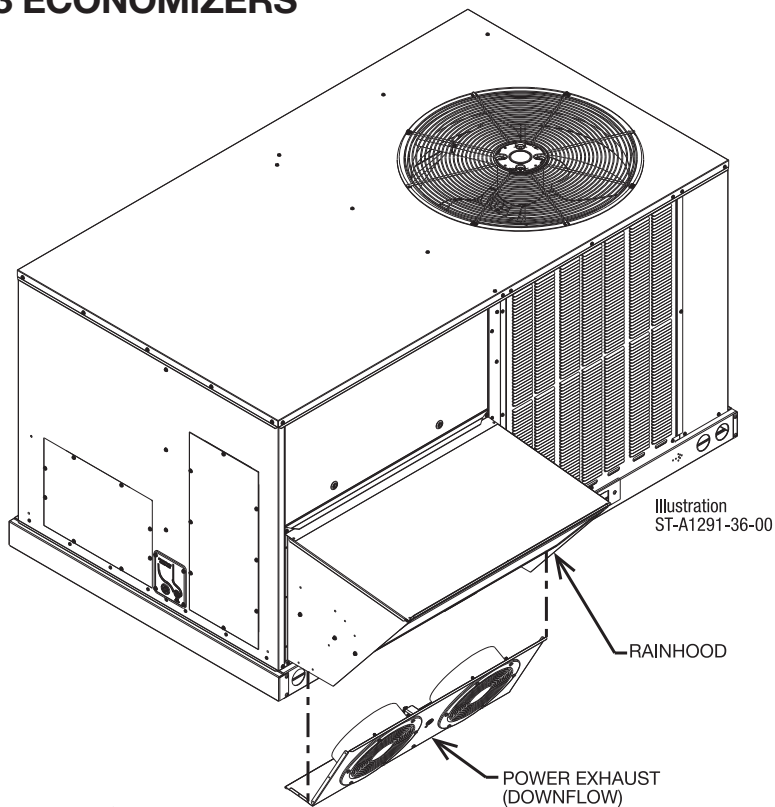
[] Designates Metric Conversions

POWER EXHAUST KIT FOR RXRD-01MCDAM3, RXRD-01MCDBM3, RXRD-01MCHAM3, RXRD-01MCHBM3 ECONOMIZERS

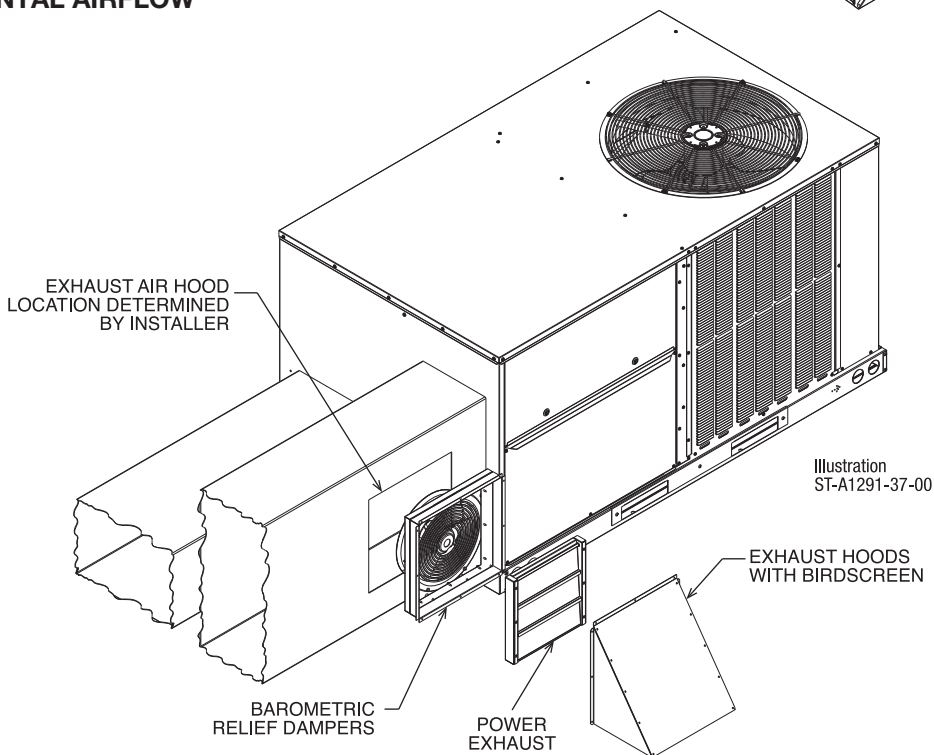
RXXR-CCF02 (C, D, or Y*)

*Voltage Code

VERTICAL AIRFLOW



HORIZONTAL AIRFLOW



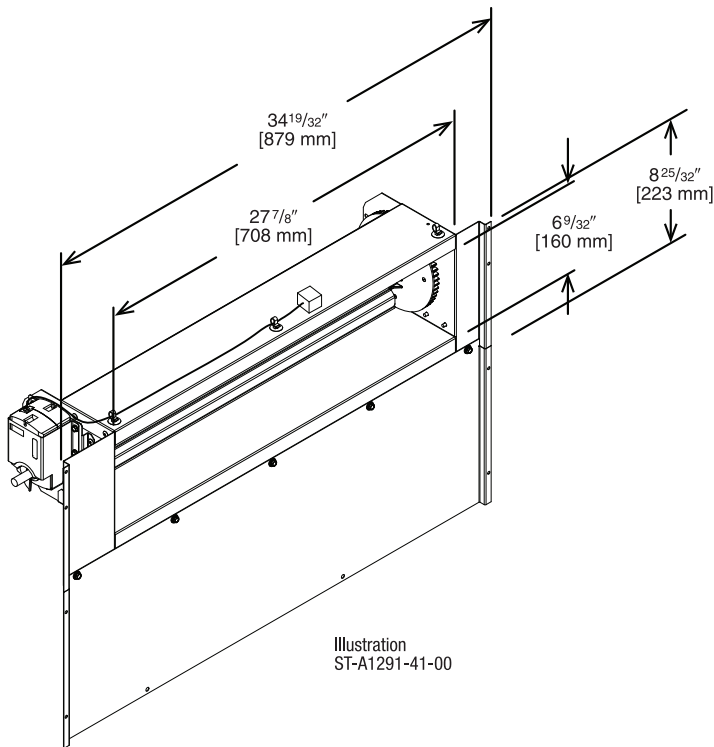
Model No.	No. of Fans	Volts	Phase	HP (ea.)	CFM [L/s]*	RPM	FLA (ea.)	LRA (ea.)
RXXR-CCF02C	2	208-230	1	0.47	2200	3000	1.55	1.1
RXXR-CCF02D	2	460	3	0.40	1970	2750	0.51	1.9

*CFM is per fan at 0" w.c. external static pressure.

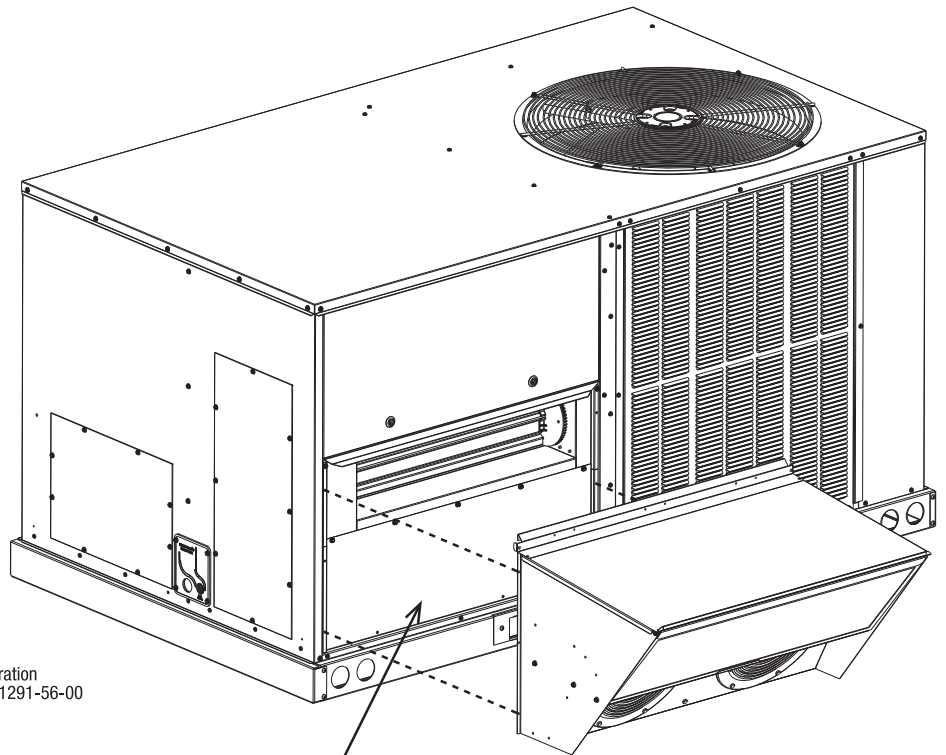
[] Designates Metric Conversions

FRESH AIR DAMPER

MOTORIZED DAMPER KIT RXRF-ACB1



[] Designates Metric Conversions

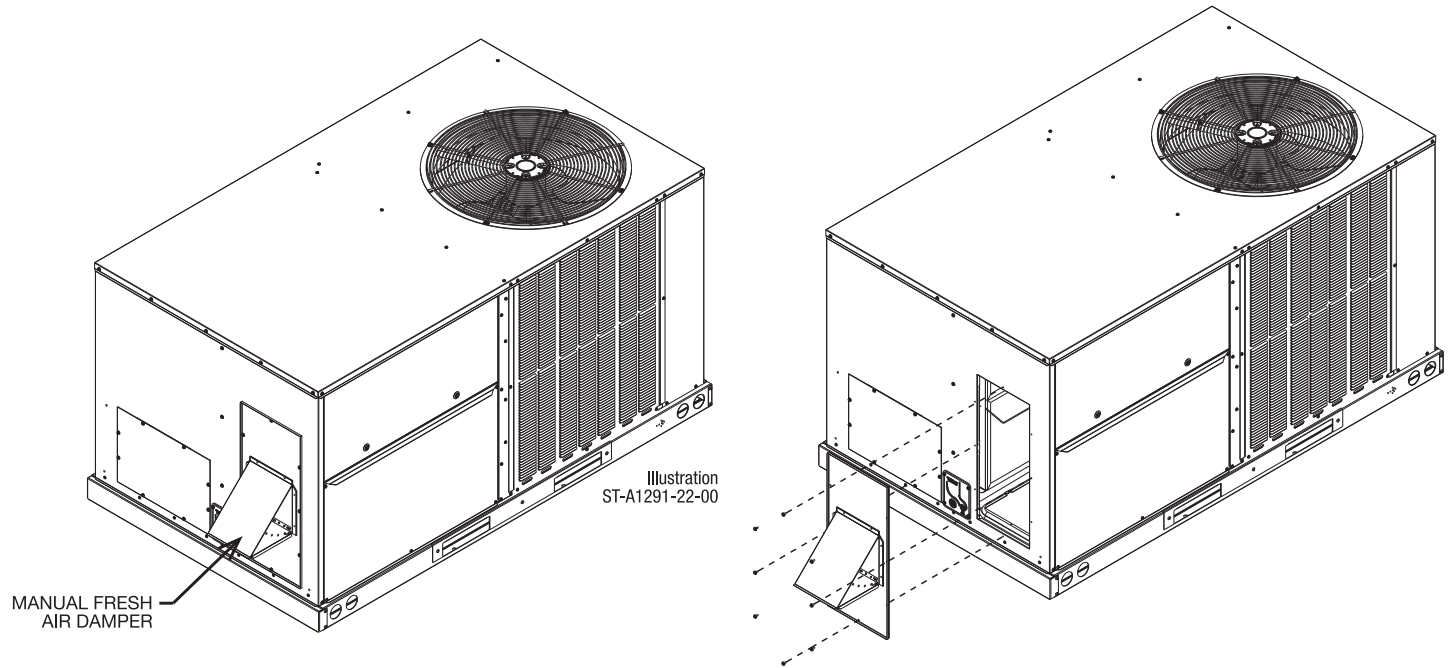


- Features **Siemens** Controls
- Gear Driven Direct Drive Actuator
- Adjustable to 2 positions
- Slip-In Design for Easy Installation
- Plug-In Polarized 12-pin and 4-pin Electrical Connections
- Pre-Configured—No Field Adjustments Necessary

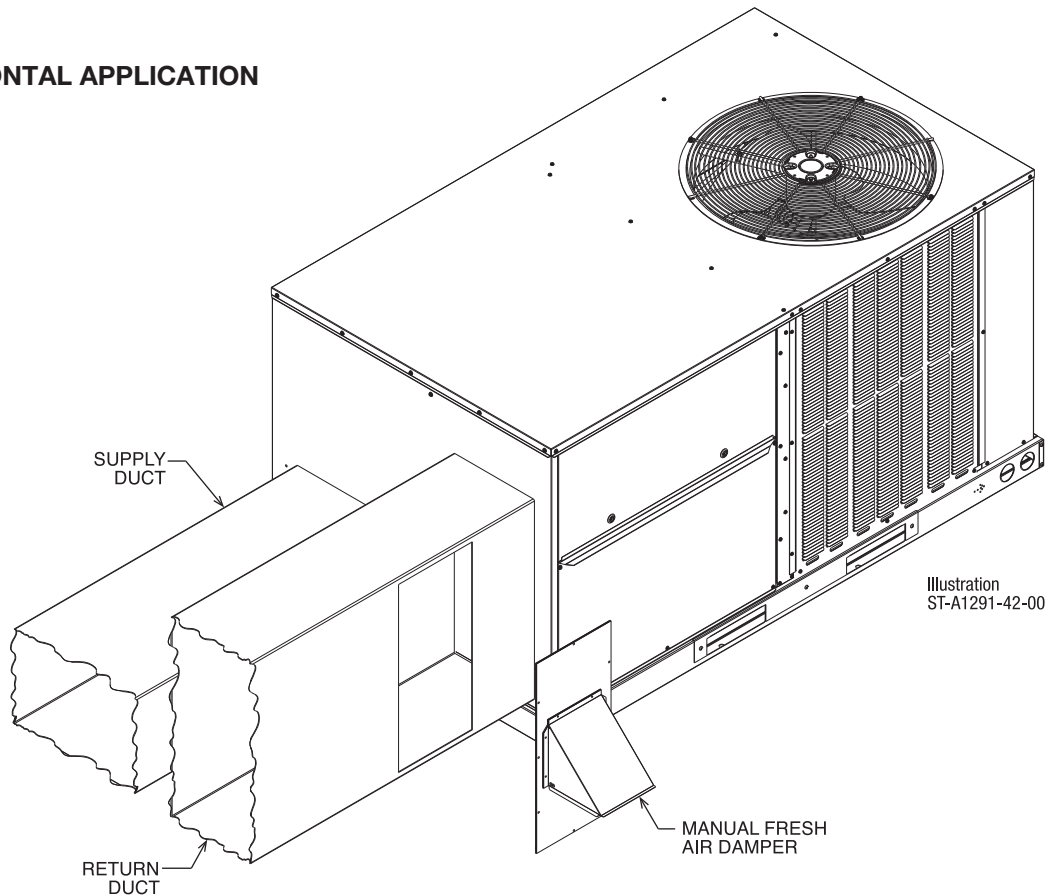
FRESH AIR DAMPER (Cont.)

RXRF-ACA1

DOWNFLOW APPLICATION

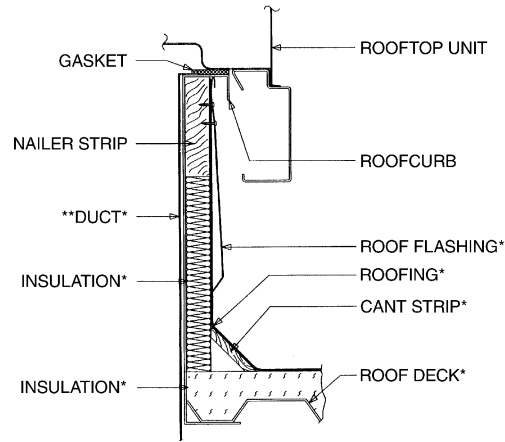


HORIZONTAL APPLICATION



ROOFCURBS (Full Perimeter)

- Russell® By Rheem’s roofcurb design can be utilized on all 3-6 ton [10.6-17.6 kW] RACC- models.
- Two available heights (14" [356 mm] and 24" [610 mm]) for ALL models.
- Quick assembly corners for simple and fast assembly.
- Opening provided in bottom pan to match the “Thru the Curb” electrical, gas piping, condensate, connection opening provided on the unit base pan.
- 1" [25 mm] x 4" [102 mm] Nailers provided.
- Sealing gasket (40' [12.2 m]) provided with Roofcurb.
- Packaged for easy field assembly.



*BY CONTRACTOR
 **FOR INSTALLATION OF DUCT AS SHOWN, USE RECOMMENDED DUCT SIZES FROM ROOFCURB INSTALLATION INSTRUCTIONS. FOR DUCT FLANGE ATTACHMENT TO UNIT, SEE UNIT INSTALLATION INSTRUCTIONS FOR RECOMMENDED DUCT SIZES.

Illustration
ST-A0743-02

View	Roofcurb Model	Height of Curb
A	RXKG-DCC14	14" [356 mm]
A	RXKG-DCC24	24" [610 mm]

ROOFCURB INSTALLATION

VIEW A

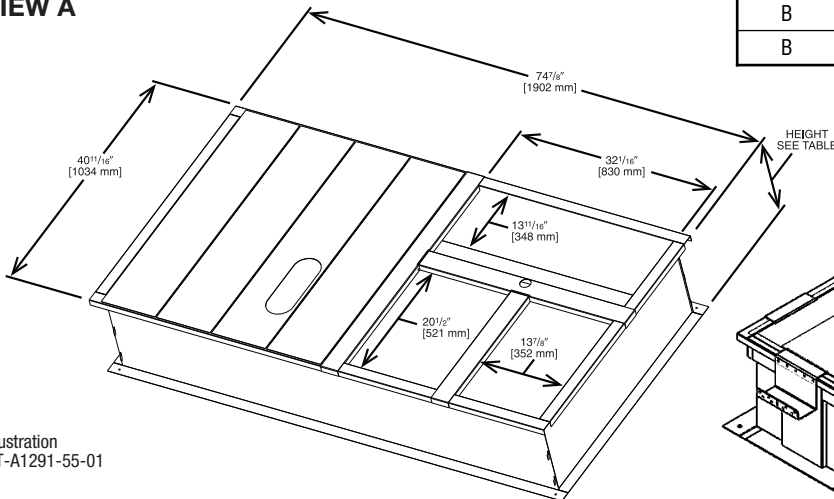
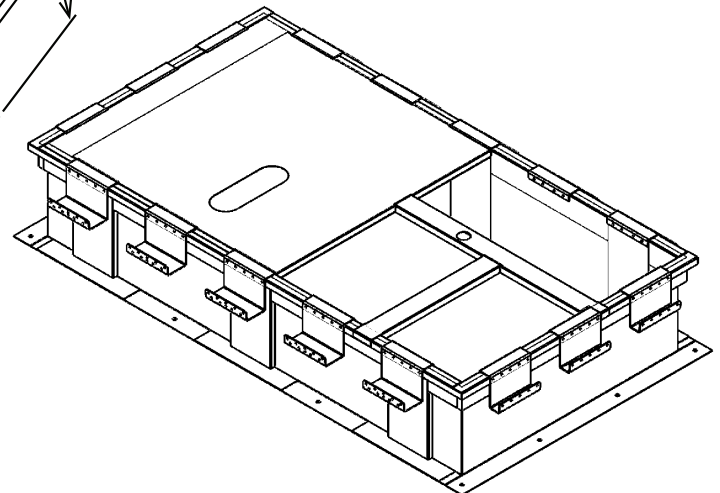


Illustration
ST-A1291-55-01

View	Roofcurb Model	Dimensions
B	RXKG-DC14	74.875" x 40.688" x 14.0"
B	RXKG-DC24	74.875" x 40.688" x 24.0"

WELDED ROOFCURB VIEW B

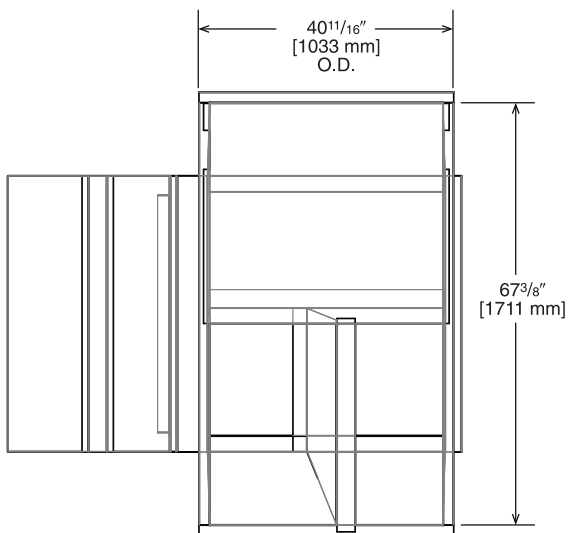


- State of Florida Approved: Approval Number FL 26981 for Technical Evaluation Report TER-20-28788 certifies the HVAC Unit and mounting methods for high wind resistance are compliant per Florida Building Code.

[] Designates Metric Conversions

ROOFCURB ADAPTERS (Con't.)

RXXR-DCCAE



Approximate Static Pressure Drop
@1200 CFM = 0.05" w.g.
@2000 CFM = 0.19" w.g.

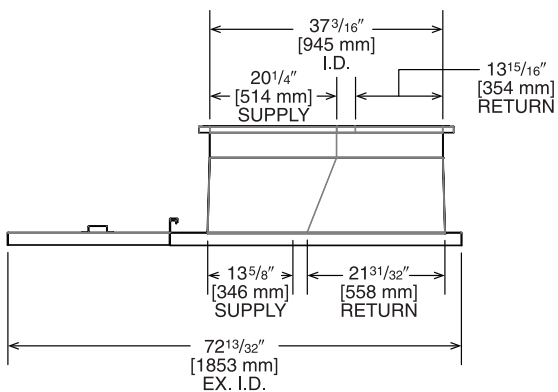
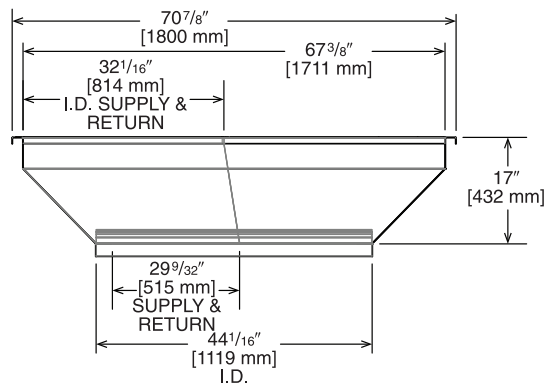


Illustration
ST-A1291-44-00



TOP VIEW

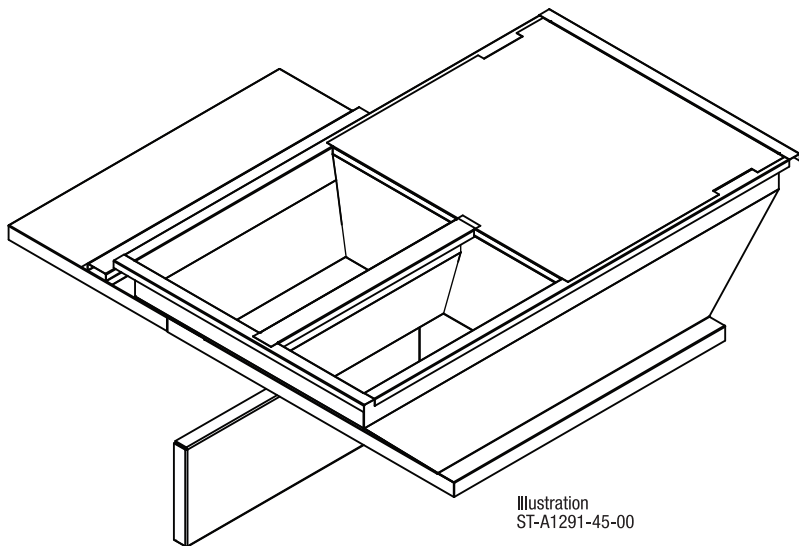
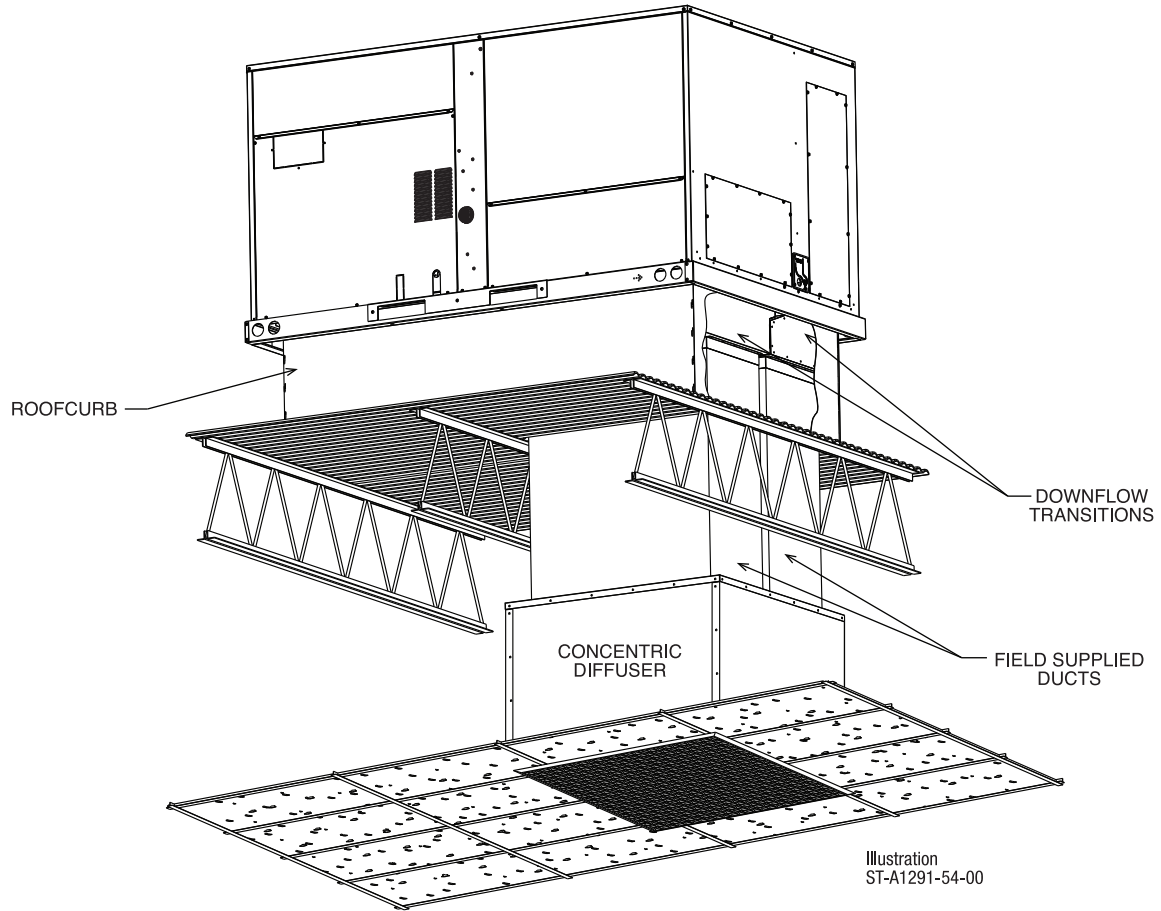


Illustration
ST-A1291-45-00

[] Designates Metric Conversions

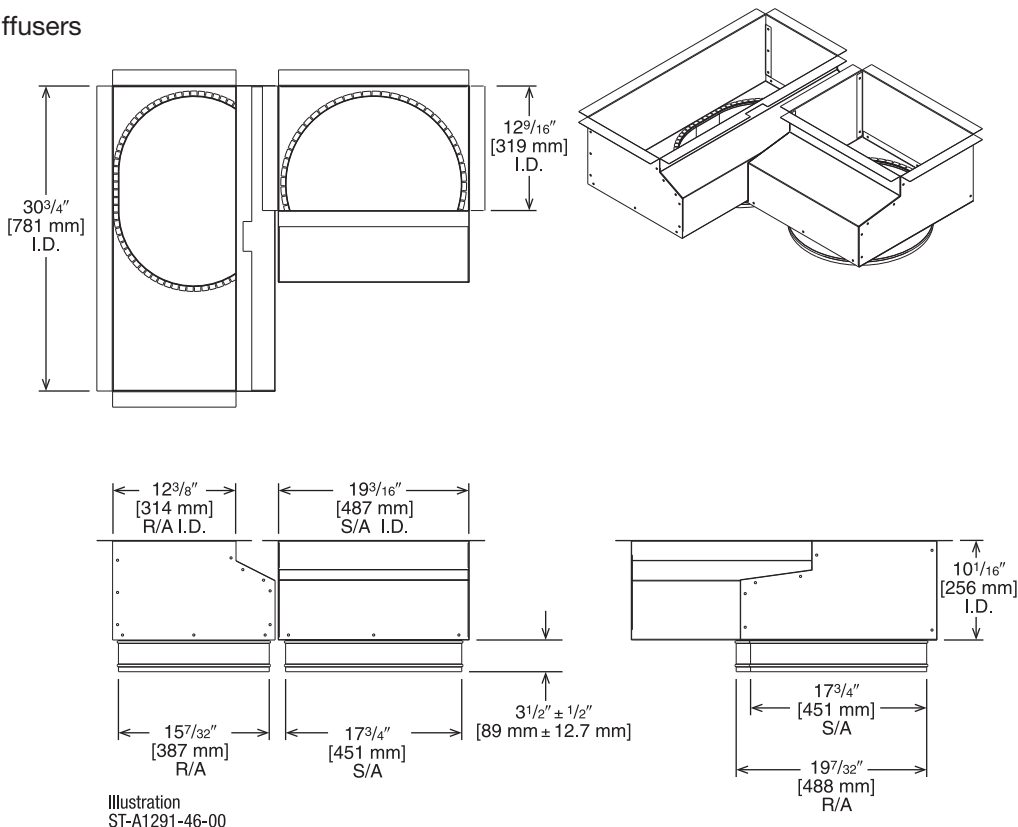
CONCENTRIC DIFFUSER APPLICATION



DOWNFLOW TRANSITION DRAWINGS

RXMC-DC01

- Used with AEF1800 or AED1800 Concentric Diffusers



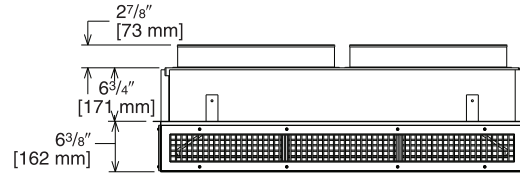
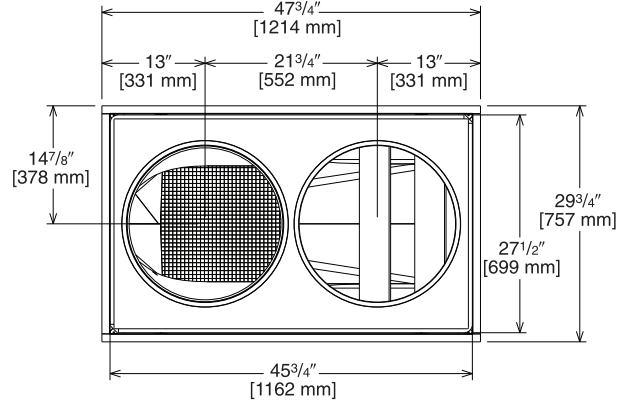
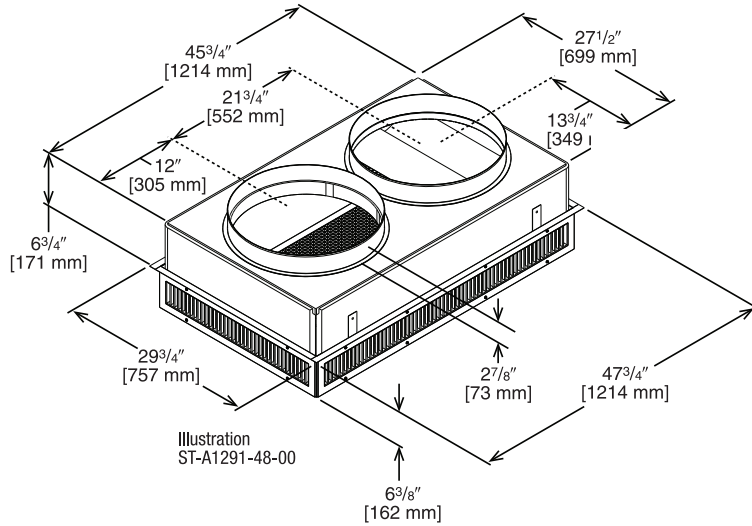
[] Designates Metric Conversions

CONCENTRIC DIFFUSER—STEP DOWN

RXRN-AED1800 (3 and 4 Ton [10.6 and 14.1 kW] Models)

For Use With Downflow Transition (RXMC-DC01) and 18" [457 mm] Round Supply and Return Ducts

- All aluminum diffuser with aluminum return air eggcrate.
- Built-in anti-sweat gasket.
- Molded fiberglass supports.
- Built-in hanging supports.
- Diffuser box constructed of sheetmetal insulated with 1" [25.4 mm] 1.5 lbs. [.7 kg] duct liner.



ENGINEERING DATA^①

Model No.	Flow Rate CFM [L/s]	Throw ^{② ③} Feet [m]	Neck Velocity fpm [m/s]	Noise Level ^④ (dbA)
RXRN-AED1800	1000 [472]	9-23 [2.7-7.0]	391 [2.0]	12
	1200 [566]	10-24 [3.0-7.3]	469 [2.4]	15
	1400 [661]	12-26 [3.7-7.9]	547 [2.8]	19
	1600 [755]	13-28 [4.0-8.5]	625 [3.2]	21
	1800 [849]	15-30 [4.6-9.1]	703 [3.6]	26
	2000 [944]	17-32 [5.2-9.8]	781 [4.0]	30
	2400 [1133]	19-34 [5.8-10.4]	859 [5.8]	32

- NOTES: ① All data is based on the air diffusion council guidelines.
 ② Throw data is based on 75 FPM Terminal Velocities using isothermal air.
 ③ Throw is based on diffuser blades being directed in a straight pattern.
 ④ Actual noise levels may vary due to duct design and do not include transmitted unit noise. Adequate duct attenuation must be provided to reduce sound output from the unit.

[] Designates Metric Conversions

FLUSH MOUNT CONCENTRIC DIFFUSER—FLUSH

RXRN-AEF1800 (3 and 4 Ton [10.6 and 14.1 kW])

For Use With Downflow Transition (RXMC-DC01)
18" [457 mm] Round Supply and Return Ducts

- All aluminum diffuser with aluminum return air eggcrate.
- Built-in anti-sweat gasket.
- Molded fiberglass supports.
- Built-in hanging supports.
- Diffuser box constructed of sheetmetal insulated with 1" [25.4 mm] 1.5 lbs. [.7 kg] duct liner.

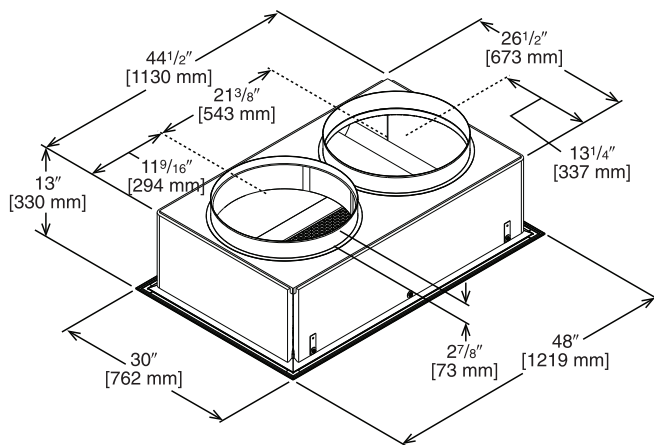
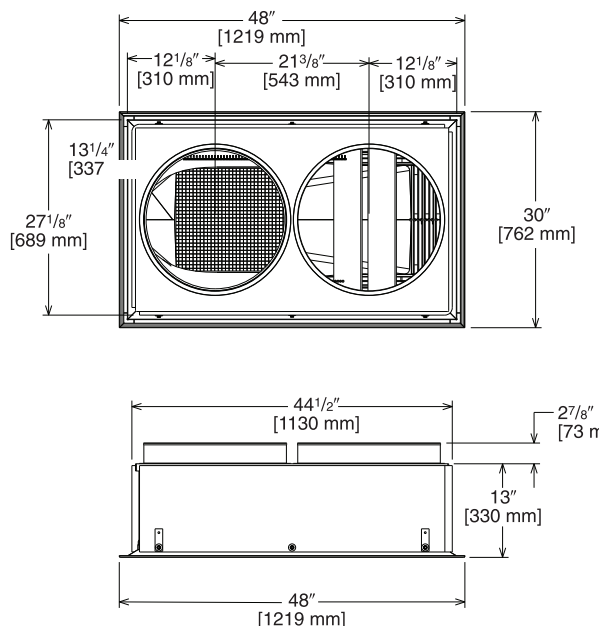


Illustration
ST-A1291-49-00

ENGINEERING DATA^①

Model No.	Flow Rate CFM [L/s]	Throw ^{② ③} Feet [m]	Neck Velocity fpm [m/s]	Noise Level ^④ (dba)
RXRN-AEF1800	1000 [472]	9-12 [2.7-3.7]	663 [3.4]	20
	1200 [566]	12-16 [3.7-4.9]	714 [3.6]	25
	1400 [661]	15-20 [4.6-6.1]	765 [3.9]	30
	1600 [755]	17-23 [5.2-7]	816 [4.1]	30
	1800 [849]	20-26 [6.1-7.9]	867 [4.4]	35
	2000 [944]	22-29 [6.7-8.8]	918 [4.7]	40
	2400 [1133]	25-32 [7.6-9.8]	969 [4.9]	45

NOTES: ① All data is based on the air diffusion council guidelines.

② Throw data is based on 75 FPM Terminal Velocities using isothermal air.

③ Throw is based on diffuser blades being directed in a straight pattern.

④ Actual noise levels may vary due to duct design and do not include transmitted unit noise. Adequate duct attenuation must be provided to reduce sound output from the unit.

[] Designates Metric Conversions

DOWNFLOW TRANSITION DRAWINGS

RXMC-DC02

- Used with AEF2000 or AED2000 Concentric Diffusers

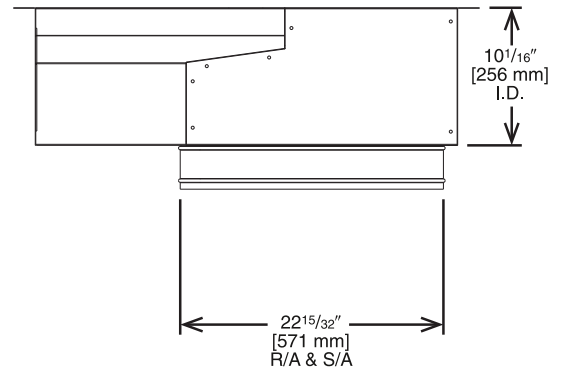
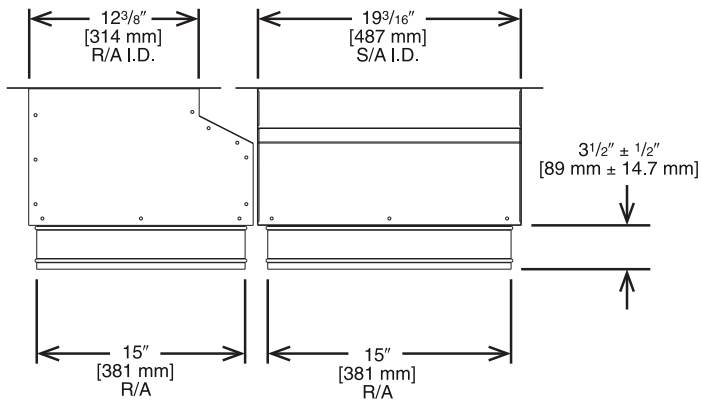
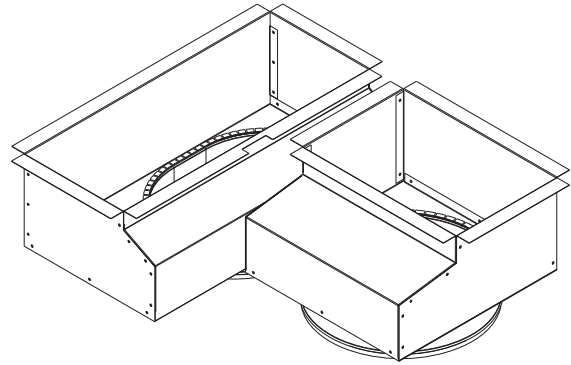
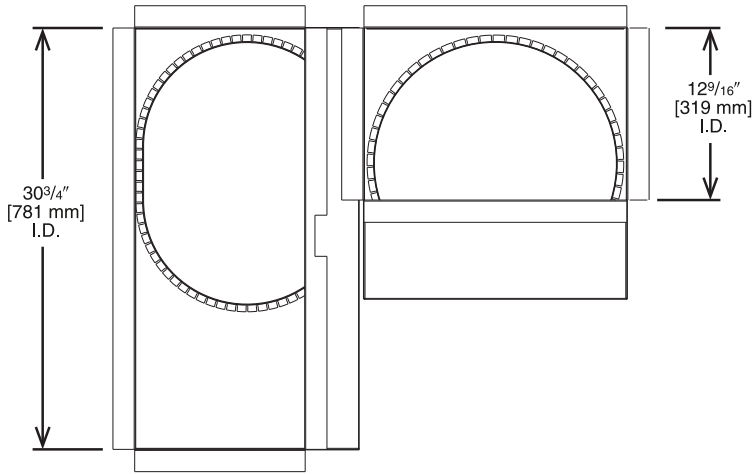


Illustration
ST-A1291-47-00

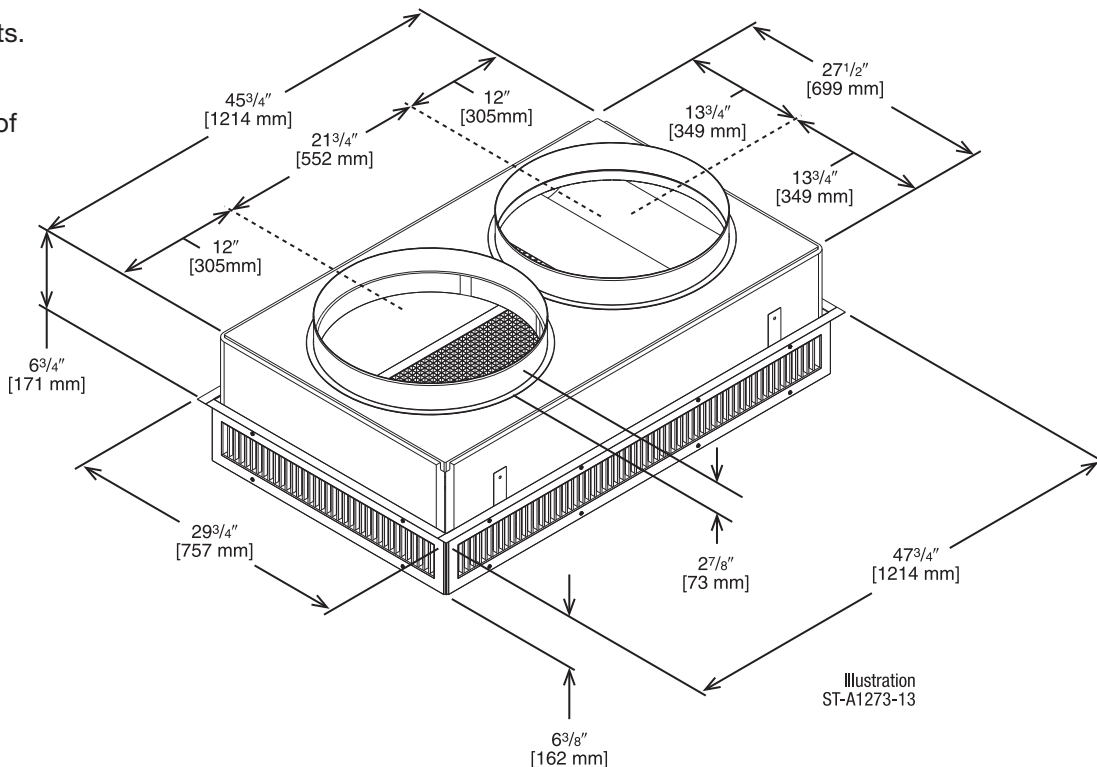
[] Designates Metric Conversions

CONCENTRIC DIFFUSER – STEP DOWN

RXRN-AED2000 (5 Ton [17.6 kW] Models)

For Use With Downflow Transition (RXMC-DC02) and 20" [508 mm] Round Supply and Return Ducts

- All aluminum diffuser with aluminum return air eggcrate.
- Built-in anti-sweat gasket.
- Molded fiberglass supports.
- Built-in hanging supports.
- Diffuser box constructed of sheetmetal insulated with 1" [25.4 mm] 1.5 lbs. [.7 kg] duct liner.



ENGINEERING DATA^①

Model No.	Flow Rate CFM [L/s]	Throw ^{② ③} Feet [m]	Neck Velocity fpm [m/s]	Noise Level ^④ (dB)
RXRN-AED2000	2600 [1222]	22-39 [6.7-11.9]	669 [3.4]	32
	2800 [1316]	23-40 [7.1-12.2]	720 [3.7]	38
	3000 [1410]	25-42 [7.6-12.8]	772 [3.9]	40
	3200 [1504]	26-43 [7.9-13.1]	823 [4.2]	41
	3400 [1598]	27-45 [8.2-13.7]	874 [4.4]	42

- NOTES:** ① All data is based on the air diffusion council guidelines.
 ② Throw data is based on 75 FPM Terminal Velocities using isothermal air.
 ③ Throw is based on diffuser blades being directed in a straight pattern.
 ④ Actual noise levels may vary due to duct design and do not include transmitted unit noise. Adequate duct attenuation must be provided to reduce sound output from the unit.

[] Designates Metric Conversions

FLUSH MOUNT CONCENTRIC DIFFUSER—FLUSH

RXRN-AEF2000 (5 Ton [17.6 kW])

For Use With Downflow Transition (RXMC-DC02)
20" [508 mm] Round Supply and Return Ducts

- All aluminum diffuser with aluminum return air eggcrate.
- Built-in anti-sweat gasket.
- Molded fiberglass supports.
- Built-in hanging supports.
- Diffuser box constructed of sheetmetal insulated with 1" [25.4 mm] 1.5 lbs. [.7 kg] duct liner.

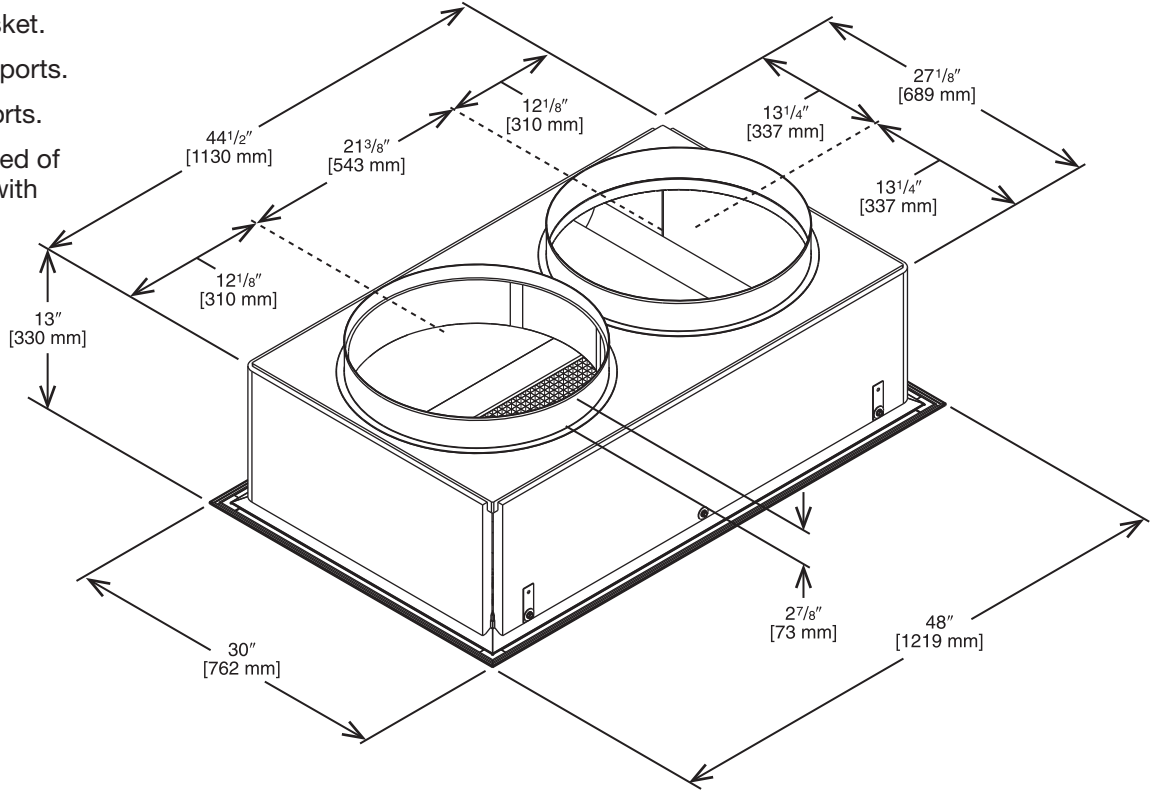


Illustration
ST-A1273-14-00

ENGINEERING DATA^①

Model No.	Flow Rate CFM [L/s]	Throw ^{② ③} Feet [m]	Neck Velocity fpm [m/s]	Noise Level ^④ (dbA)
RXRN-AEF2000	2600 [1222]	17-24 [5.2-7.3]	663 [3.4]	30
	2800 [1316]	18-28 [5.5-8.5]	714 [3.6]	35
	3000 [1410]	20-30 [6.1-9.1]	765 [3.9]	35
	3200 [1504]	22-33 [6.7-10.1]	816 [4.1]	40
	3400 [1598]	23-37 [7-11.3]	867 [4.4]	40

NOTES: ① All data is based on the air diffusion council guidelines.

② Throw data is based on 75 FPM Terminal Velocities using isothermal air.

③ Throw is based on diffuser blades being directed in a straight pattern.

④ Actual noise levels may vary due to duct design and do not include transmitted unit noise.
Adequate duct attenuation must be provided to reduce sound output from the unit.

[] Designates Metric Conversions

Guide Specifications RACC— 036 - 072

You may copy this document directly into your building specification. This specification is written to comply with the 2016 version of the “master format” as published by the Construction Specification Institute. www.csinet.org.

ELECTRIC HEAT PACKAGED ROOFTOP**HVAC Guide Specifications****Size Range: 3 to 6 Nominal Tons****Section Description****23 06 80 Schedules for Decentralized HVAC Equipment****23 06 80.13 Decentralized Unitary HVAC Equipment Schedule**

23 06 80.13.A. Rooftop unit schedule

1. Schedule is per the project specification requirements.

23 07 16 HVAC Equipment Insulation

23 07 16.00.A. Evaporator fan compartment:

1. Interior cabinet surfaces shall be insulated with a minimum 1/2-in. thick, minimum 1.6 LB density, flexible fiberglass insulation bonded with foil face on the air side.
2. Insulation and adhesive shall meet NFPA 90A requirements for flame spread and smoke generation.
3. Insulation shall also be mechanically fastened with welded pin and retainer washer.

23 09 13 Instrumentation and Control Devices for HVAC**23 09 13.23 Sensors and Transmitters:**

23 09 13.23.A. Thermostats

1. Thermostat must
 - a. Energize both “W” and “G” when calling for heat.
 - b. Have capability to energize 1 stage of cooling, and at least 1 stage of heating.
 - c. Must include capability for occupancy scheduling.

23 09 33 Electric and Electronic Control System for HVAC

23 09 33.00.A. General:

1. Shall be complete with self-contained low-voltage control circuit protected by a fuse on the 24-V transformer side.
2. Shall utilize color-coded wiring.
3. Unit shall include self-contained low-voltage control circuit protected by a fuse on the 24-V transformer side.
4. Unit shall include a minimum of one 8-pin screw terminal connection board for connection of control wiring.

23 09 33.00.B. Safeties:

1. Compressor over-temperature, over current.
2. Low-pressure switch.
 - a. Units shall have low pressure, loss of charge automatic reset device that will shut off compressor when tripped.
3. High-pressure switch.
 - a. Unit shall be equipped with high pressure switch device that will shut off compressor when tripped.
4. Automatic reset, motor thermal overload protector.

23 09 93 Sequence of Operations for HVAC Controls**23 09 93.00 INSERT SEQUENCE OF OPERATION****23 41 13 Panel Air Filters**

23 41 13.00.A. Standard filter section shall

1. Shall consist of factory-installed, low velocity, throwaway 2-in. thick fiberglass filters of commercially available sizes.
2. Unit will accept both 2-in. and 4-in. filters.
3. Filter face velocity shall not exceed 365 fpm at nominal airflows.
4. Filters shall be accessible through an access panel with “no-tool” removal as described in the unit cabinet section of the specification (23 81 19.13.H).

23 81 19 Self-Contained Air Conditioners

23 81 19.13 Small Capacity Self-Contained Air Conditioners

23 81 19.13.A. General

1. Outdoor, rooftop mounted, electrically controlled, heating and cooling unit utilizing a(n) hermetic scroll compressor(s) for cooling duty and heat pump for heating duty.
2. Factory assembled, single-piece heating and cooling rooftop unit. Contained within the unit enclosure shall be all factory wiring, piping, controls, and special features required prior to field start-up.
3. Unit shall use environmentally safe, R410A refrigerant.
4. Unit shall be installed in accordance with the manufacturer's instructions.
5. Unit must be selected and installed in compliance with local, state, and federal codes.

23 81 19.13.B. Quality Assurance

1. Unit meets ASHRAE 90.1 2016 minimum efficiency requirements.
2. Unit shall be rated in accordance with AHRI Standards 210/240 or 340/360 and 10 CFR appendix M1 to subpart B or part 430.
3. Unit shall be designed to conform to ASHRAE 15.
4. Unit shall be UL-tested and certified in accordance with Standards and UL-listed and certified under Canadian standards as a total package for safety requirements.
5. Insulation and adhesive shall meet NFPA 90A requirements for flame spread and smoke generation.
6. Unit casing shall be capable of withstanding 1000-hour salt spray exposure per ASTM B117 (scribed specimen).
7. Unit shall be designed in accordance with ISO 9001:2015, and shall be manufactured in a facility registered by ISO 9001:2015.
8. Roof curb shall be designed to conform to NRCA Standards.
9. Unit shall be subjected to a completely automated run test on the assembly line. The data for each unit will be stored at the factory, and must be available upon request.
10. Unit shall be designed in accordance with UL Standard 1995, Fifth Ed. including tested to withstand rain.

23 81 19.13.C. Delivery, Storage, and Handling

1. Unit shall be stored and handled per manufacturer's recommendations.
2. Lifted by crane requires either shipping top panel or spreader bars.
3. Unit shall only be stored or positioned in the upright position.

23 81 19.13.E. Project Conditions

1. As specified in the contract.

23 81 19.13.F. Operating Characteristics

1. Unit shall be capable of starting and running at 115°F (46°C) ambient outdoor temperature, meeting maximum load criteria of AHRI Standard 210/240 or 340/360 at ± 10% voltage.
2. Compressor with standard controls shall be capable of operation down to 50°F (10°C), ambient outdoor temperatures. Low ambient accessory kit is necessary if mechanically cooling at ambient temperatures to 0°F (-17.7°C).
3. Unit shall discharge supply air vertically or horizontally as shown on contract drawings.
4. Unit shall be factory configured for vertical supply & return configurations.
5. Unit shall be field convertible from vertical to horizontal configuration.

23 81 19.13.G. Electrical Requirements

1. Main power supply voltage, phase, and frequency must match those required by the manufacturer.

23 81 19.13.H. Unit Cabinet

1. Unit cabinet shall be constructed of galvanized steel.
2. Unit cabinet exterior paint shall be: pre-painted steel.
3. Evaporator fan compartment interior cabinet insulation shall conform to AHRI Standards 210 or 360 minimum exterior sweat criteria. Interior surfaces shall be insulated with a minimum 1/2-in. thick, 1.6 lb density, flexible fiberglass insulation, foil faced on the air side. Aluminum foil-faced fiberglass insulation shall be used in the gas heat compartment.
4. Base of unit shall have a location for thru-the-base gas and electrical connections standard.
5. Base Rail
 - a. Unit shall have base rails on a minimum of 4 sides.
 - b. Holes shall be provided in the base rails for rigging shackles to facilitate maneuvering and overhead rigging.
 - c. Holes shall be provided in the base rail for moving the rooftop for fork truck.
 - d. Base rail shall be a minimum of 14 gauge thickness.
6. Condensate pan and connections:
 - a. Shall be a sloped condensate drain pan made of a non-corrosive material and be removable for cleaning.
 - b. Shall comply with ASHRAE Standard 62.
 - c. Shall use a 3/4" NPT drain connection, possible either through the bottom or side of the drain pan. Connection shall be made per manufacturer's recommendations.
 - d. Shall be able to be easily removed.
7. Top panel:
 - a. Shall be a single piece top panel over indoor section.
8. Electrical Connections
 - a. All unit power wiring shall enter unit cabinet a a single, factory-prepared, continuous raised flange opening in the basepan.
 - b. Thru-the-base capability
 - i. Standard unit shall have a thru-the-base electrical location(s) using a raised, continuous raised flange opening in the basepan.
 - ii. No basepan penetration, other than those authorized by the manufacturer, is permitted.
9. Component access panels (standard)
 - a. Cabinet panels shall be easily opened for servicing.
 - b. Panels covering control box, indoor fan, indoor fan motor, gas components (where applicable), and filters shall have hinges with 1/4 turn fasteners on units with factory-installed hinged option.
 - c. 1/4 fasteners shall be permanently attached.

23 81 19.13.J. Coils

1. Standard Aluminum/MicroChannel Coils:
 - a. Standard evaporator and condenser coils shall be aluminum.
 - b. Evaporator and condenser coils shall be leak tested to 150 psig, pressure tested to 400 psig, and qualified to burst test at 2,200 psi.

23 81 19.13.K. Refrigerant Components

1. Refrigerant circuit shall include the following control, safety, and maintenance features:
 - a. TXV metering system shall prevent mal-distribution of two-phase refrigerant.
 - b. Refrigerant filter drier.
 - c. Service gauge connections on suction and discharge lines.
 - d. External pressure gauge ports access shall be located in front exterior of cabinet.
2. Compressors
 - a. Unit shall use one fully hermetic scroll compressor.
 - b. 3-5 ton ZR units include one single-stage compressor.
 - c. 3-6 ton ZT units include one two-stage compressor.
 - d. Compressor motors shall be cooled by refrigerant gas passing through motor windings.
 - e. Compressors shall be internally protected from high discharge temperature conditions.
 - f. Compressors shall be protected from an over-temperature and over-ampereage conditions by an internal, motor overload device.
 - g. Compressor shall be factory mounted on rubber grommets.
 - h. Compressor motors shall have internal line break thermal and current overload protection.
 - i. Crankcase heaters shall not be required for normal operating range.
 - j. Compressor shall have molded electrical plug.

23 81 19.13.L. Filter Section

1. Filters access is specified in the unit cabinet section of this specification.
2. Filters shall be held in place by metal rods, facilitating easy removal and installation.
3. Shall consist of factory-installed, low velocity, throw-away 2-in. thick fiberglass filters.
4. Filter face velocity shall not exceed 320 fpm at nominal airflows.
5. Filters shall be standard, commercially available sizes.
6. Only one size filter per unit is allowed.

23 81 19.13.M. Evaporator Fan and Motor

1. Evaporator fan motor:
 - a. Shall have permanently lubricated bearings
 - b. Shall have inherent automatic-reset thermal overload protection.
2. Direct Drive Evaporator Fan:
 - a. Direct drive ECM technology with (5) dedicated speed selections as follows: fan, low, high, AC low static, AC high static.
 - b. Blower fan shall be double-inlet type with forward-curved blades.
 - c. Shall be constructed from steel with a corrosion resistant finish and dynamically balanced.

23 81 19.13.N. Condenser Fans and Motors

1. Condenser fan motors:
 - a. Shall be a totally enclosed motor.
 - b. Shall use permanently lubricated bearings.
 - c. Shall have inherent thermal overload protection with an automatic reset feature.
 - d. Shall use a shaft-down design. Shaft-up designs including those with “rain-slinger devices” shall not be allowed.
2. Condenser Fans shall:
 - a. Shall be a direct-driven propeller type fan
 - b. Shall have blades riveted to corrosion-resistant steel spiders and shall be dynamically balanced.

23 81 19.13.O. Special Features

1. Integrated Economizers:
 - a. Integrated, gear-driven parallel modulating blade design type capable of simultaneous economizer and compressor operation.
 - b. Independent modules for vertical or horizontal return configurations shall be available. Vertical return modules shall be available as a factory installed option.
 - c. Damper blades shall be galvanized steel with metal gears. Plastic or composite blades on intake or return shall not be acceptable.
 - d. Shall include all hardware and controls to provide free cooling with outdoor air when temperature and/or humidity are below setpoints.
 - e. Shall be equipped with gear driven dampers for both the outdoor ventilation air and the return air for positive air stream control.
 - f. Shall be equipped with low-leakage dampers, not to exceed 2% leakage at 1 in. wg pressure differential.
 - g. Shall be capable of introducing up to 100% outdoor air.
 - h. Shall be equipped with a barometric relief damper capable of relieving up to 100% return air.
 - i. Shall be designed to close damper(s) during loss-of-power situations with spring return built into motor.
 - j. Enthalpy sensor shall be provided as standard. Outdoor air sensor set point shall be adjustable and shall range from 40 to 100°F / 4 to 38°C. Additional sensor options shall be available as accessories.
 - k. The economizer controller shall also provide control of an accessory power exhaust unit function. Factory set at 70%, with a range of 0% to 100%.
 - l. The economizer shall maintain minimum airflow into the building during occupied period and provide design ventilation rate for full occupancy. A remote potentiometer may be used to override the damper set point.
 - m. Dampers shall be completely closed when the unit is in the unoccupied mode.
 - n. Economizer controller shall accept a 2-10Vdc CO2 sensor input for IAQ/DCV control. In this mode, dampers shall modulate the outdoor-air damper to provide ventilation based on the sensor input.
 - o. Actuator shall be direct coupled to economizer gear. No linkage arms or control rods shall be acceptable.
 - p. Economizer controller shall provide indications when in free cooling mode, in the DCV mode, or the exhaust fan contact is closed.
 - q. Economizer wire harness will have provision for smoke detector.

2. Manual damper
 - a. Manual damper package shall consist of damper, air inlet screen, and rain hood which can be preset to admit up to 50% outdoor air for year round ventilation.
3. Condenser Coil Hail Guard Assembly
 - a. Shall protect against damage from hail.
 - b. Shall be louvered style.
4. Unit-Mounted, Non-Fused Disconnect Switch:
 - a. Switch shall be factory-installed, internally mounted.
 - b. National Electric Code (NEC) and UL approved non-fused switch shall provide unit power shutoff.
 - c. Shall be accessible from outside the unit.
 - d. Shall provide local shutdown and lockout capability.
5. Convenience Outlet:
 - a. Non-Powered convenience outlet.
 - b. Outlet shall be powered from a separate 115-120v power source.
 - c. A transformer shall not be included.
 - d. Outlet shall be field-installed and internally mounted with easily accessible 115-v female receptacle.
 - e. Outlet shall include 15 amp GFI receptacle with independent fuse protection.
 - f. Outlet shall be accessible from outside the unit.
6. Propeller Power Exhaust:
 - a. Power exhaust shall be used in conjunction with an integrated economizer.
 - b. Independent modules for vertical or horizontal return configurations shall be available.
 - c. Horizontal power exhaust is shall be mounted in return ductwork.
 - d. Power exhaust shall be controlled by economizer controller operation. Exhaust fans shall be energized when dampers open past the 0-100% adjustable setpoint on the economizer control.
7. Roof Curbs (Vertical):
 - a. Formed galvanized steel with wood nailer strip and shall be capable of supporting entire unit weight.
 - b. Permits installation and securing of ductwork to curb prior to mounting unit on the curb.
8. Return Air Enthalpy Sensor:
 - a. The return air enthalpy sensor shall be used in conjunction with an outdoor air enthalpy sensor to provide differential enthalpy control.
9. Indoor Air Quality (CO2) Sensor:
 - a. Shall be able to provide demand ventilation indoor air quality (IAQ) control.
 - b. The IAQ sensor shall be available in duct mount, wall mount, or wall mount with LED display. The set point shall have adjustment capability.
10. Smoke detectors:
 - a. Shall be a Four-Wire Controller and Detector.
 - b. Shall be environmental compensated with differential sensing for reliable, stable, and drift-free sensitivity.
 - c. Shall use magnet-activated test/reset sensor switches.
 - d. Shall have tool-less connection terminal access.
 - e. Shall have a recessed momentary switch for testing and resetting the detector.
 - f. Controller shall include:
 - i. One set of normally open alarm initiation contacts for connection to an initiating device circuit on a fire alarm control panel
 - ii. Two Form-C auxiliary alarm relays for interface with rooftop unit or other equipment
 - iii. One Form-C supervision (trouble) relay to control the operation of the Trouble LED on a remote test/reset station
 - iv. Capable of direct connection to two individual detector modules.
 - v. Can be wired to up to 14 other duct smoke detectors for multiple fan shutdown applications.
11. Barometric relief
 - a. Shall include damper, seals, hard-ware, and hoods to relieve excess building pressure.
 - b. Damper shall gravity-close upon shutdown.
12. Time Guard
 - a. Shall prevent compressor short cycling by providing a 5-minute delay (± 2 minutes) before restarting a compressor after shutdown for any reason.
 - b. One device shall be required per compressor.

BEFORE PURCHASING THIS APPLIANCE, READ IMPORTANT ENERGY COST AND EFFICIENCY INFORMATION AVAILABLE FROM YOUR RETAILER.

GENERAL TERMS OF LIMITED WARRANTY*

Russell® By Rheem will furnish a replacement for any part of this product which fails in normal use and service within the applicable periods stated, in accordance with the terms of the limited warranty.

***For complete details of the Limited and Conditional Warranties, including applicable terms and conditions, contact your local contractor or the Manufacturer for a copy of the product warranty certificate.**

Compressor	
Commercial Applications	Five (5) Years
Parts	
Commercial Applications	One (1) Year

© 2023 Rheem Manufacturing Company. Russell By Rheem trademarks owned by Rheem Manufacturing Company.

In keeping with its policy of continuous progress and product improvement, Russell by Rheem reserves the right to make changes without notice.



Russell® By Rheem

5600 Old Greenwood Road, Fort Smith, AR 72908

Before proceeding with installation, refer to installation instructions packaged with each model, as well as complying with all Federal, State, Provincial, and Local codes, regulations, and practices.

PRINTED IN U.S.A. 6/23 QG FORM NO. SRR-984 REV. 7