



Vantix™ Line iR Residential Packaged Heat Pumps



RHP(A/X)YB

Nominal Sizes: 2 to 5 Tons [7.03 to 17.6 kW]

Cooling Efficiency: 13.4 SEER2

Heating Efficiency: 6.7 HSPF2

Refrigerant Type: R-454B



Table of Contents

Features and Benefits.....	3
Model Number Identification	4
Dimensional Data	5-8
Typical Installations	9
General Data.....	10-13
General Data Notes	14
Gross Systems Performance Data	15-26
Indoor Airflow Performance.....	27-30
Electrical Data.....	31-32
Electric Heater Kits.....	33-36
Accessories	37-48
Limited Warranty.....	49

Features and Benefits

- **Scroll Compressors on all Models:** Provides maximum efficiency and quiet operation
- **MicroChannel Evaporator and Condenser Coil:** Delivers superior performance with a robust surface, a decreased refrigerant requirement and is lighter than conventional copper tube/aluminum fin coils. All-aluminum construction offers superior protection against formicary corrosion and aluminum tube rubbing damage. The design allows for easier and faster cleaning
- **Two Thermal Expansion Valves:** Standard on all models for precise superheat control, reliability, and energy efficiency at all operating conditions
- **High and Low Pressure Control:** Standard on all models for refrigerant component protection and reliability
- **Filter drier:** Standard on all models
- **100% factory run tested**
- **Refrigerant Detection System:** An integrated one-box, patented design featuring the A2L sensor and mitigation board, offering easier commissioning with a single component and simplified wiring configuration, compatibility with any 24V thermostat application and system protection by automatically pausing outdoor unit operation — if excess refrigerant is detected
- **Rugged Base Rail:** Contributes to improved installation and handling
- **Easily Accessible Control Box and Slide-Out Blower Section:** Allows for faster installability and serviceability
- **Side and Down Discharge Options Available:** All models are shipped ready for horizontal applications but can be adjusted depending on installation requirements
- **Double Sloped Evaporator Coil Drain Pan:** Allows for complete water removal from the unit—contributing to improved indoor air quality
- **Louvered Condenser Compartment:** Protects the coil against yard hazards and/or weather extremes
- **Supply and Return Air Openings:** Feature a one-inch-tall flange to prevent water migration into the ductwork
- **Supplemental Electric Heating Option Available:** Factory and field installed, electrical heat strips, up to 15 kW with simplified single-point wiring, are available for periods of extreme weather conditions
- **Designing for Sustainability with Low GWP:** For 2025, the Environmental Protection Agency (EPA) has set a global warming potential (GWP) limit of 700 for refrigerant used in heating and cooling systems. This new requirement will result in a 78%¹ lower GWP than previous-generation refrigerants with only minimal changes to system installation. For us, this is another step toward our continued sustainability goal of reducing greenhouse gas emissions, while still delivering an exceptional level of energy efficient, dependable comfort

¹When comparing the GWP of R-454B to R-410A refrigerant.

Packaged Heat Pumps

<u>R</u>	<u>HP</u>	<u>A</u>	<u>Y</u>	<u>B</u>	<u>024</u>	<u>A</u>	<u>J</u>	<u>T</u>	<u>00</u>	<u>0</u>	<u>N</u>	<u>A</u>
Brand	Product Category	Platform	Refrigerant	Tier	Capacity BTU/HR	Major Series	Voltage	Drive	Electric Heat	Electric Heat Configuration	Control	Minor Series
R - Russell® By Rheem	HP - Heat Pump	A/X - ResiPack Convertible	Y - R-454B	B - Base Tier (13.4 SEER2)	024 - 24,000 [7.03 kW] 030 - 30,000 [8.79 kW] 036 - 36,000 [10.55 kW] 042 - 42,000 [12.31 kW] 048 - 48,000 [14.07 kW] 060 - 60,000 [17.58 kW]	A - 1st Design	J - 1ph, 208-230/60 C - 3ph, 208-230/60 D - 3ph, 460/60	T - Constant Torque	00 - No Electric Heat 10 - 10 kW Electric Heat 15 - 15 kW Electric Heat	0 - No Electric Heat 1 - Electric Heat Factory Installed	N - Non-Communicating	A - 1st Design

[] Designates Metric Conversions

Available Models		
RHPAYB024AJT000NA	RHPXYB036ADT151NA	RHPXYB048ADT000NA
RHPAYB024AJT101NA	RHPXYB036AJT000NA	RHPXYB048ADT151NA
RHPAYB030ACT000NA	RHPXYB036AJT101NA	RHPXYB048AJT000NA
RHPAYB030ACT101NA	RHPXYB036AJT151NA	RHPXYB048AJT151NA
RHPAYB030AJT000NA	RHPXYB042ACT000NA	RHPXYB060ACT000NA
RHPAYB030AJT101NA	RHPXYB042ACT151NA	RHPXYB060ACT151NA
RHPXYB036ACT000NA	RHPXYB042AJT000NA	RHPXYB060ADT000NA
RHPXYB036ACT101NA	RHPXYB042AJT151NA	RHPXYB060ADT151NA
RHPXYB036ACT151NA	RHPXYB048ACT000NA	RHPXYB060AJT000NA
RHPXYB036ADT000NA	RHPXYB048ACT151NA	RHPXYB060AJT151NA
RHPXYB036ADT101NA		

NOTE: **Bold** represents Two-Stage cooling models.
Further heater kits available to purchase for field installation.

DIMENSIONAL DATA

RHPA Cabinet

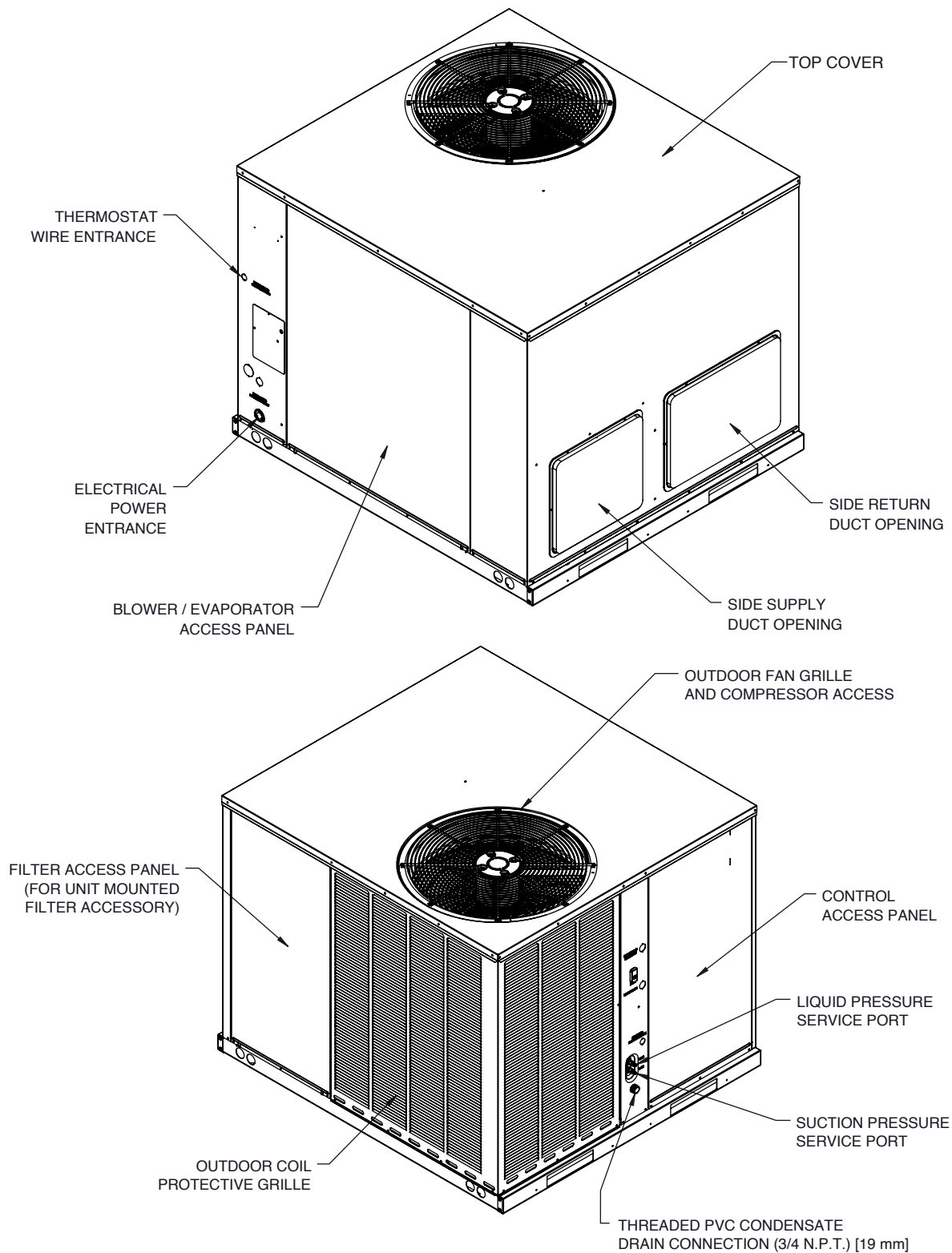
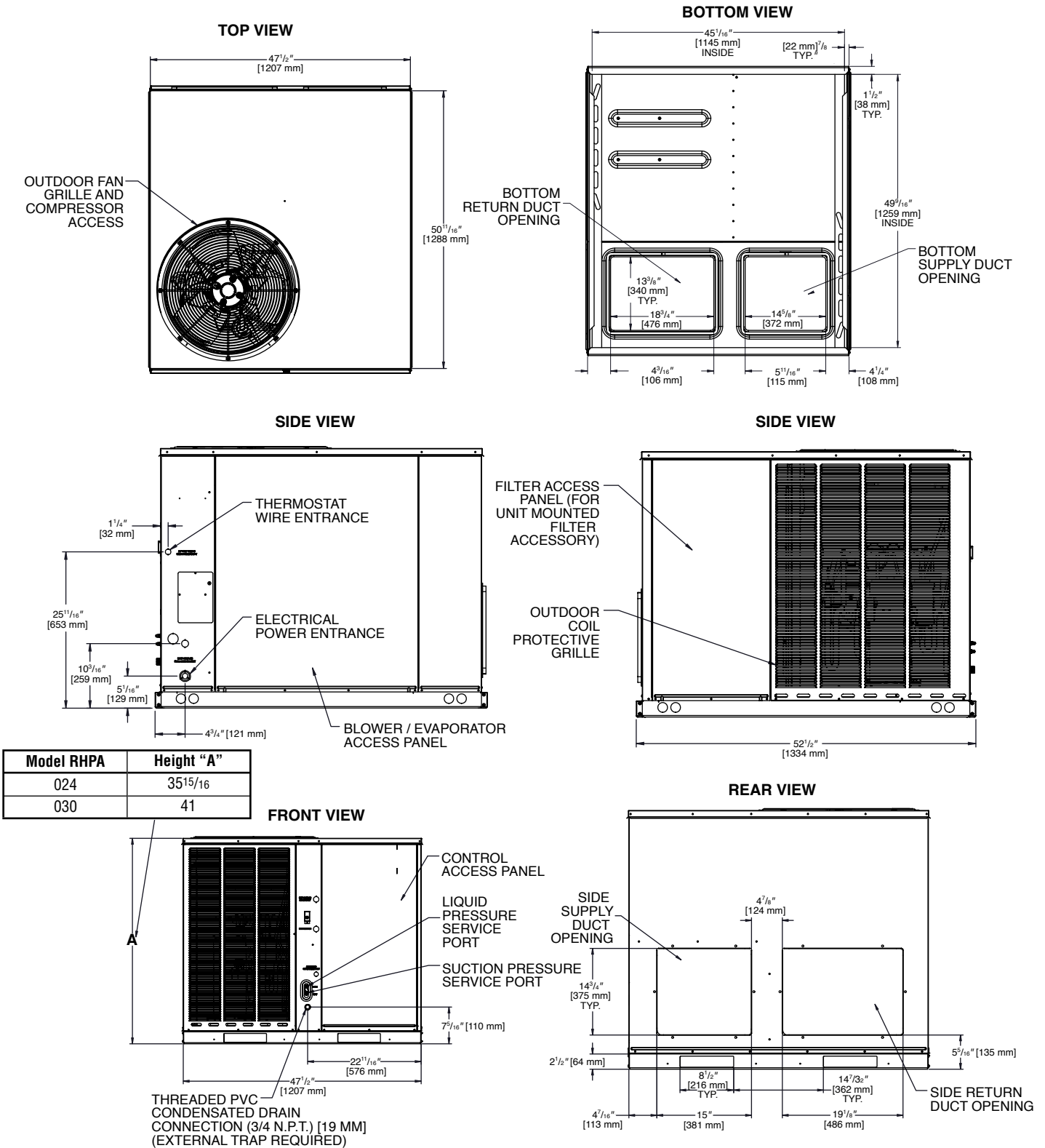


Illustration
ST-A1333-01

[] Designates Metric Conversions

DIMENSIONAL DATA

RHPA Cabinet



[] Designates Metric Conversions

Illustration
ST-A1333-02

DIMENSIONAL DATA

RHPX Cabinet

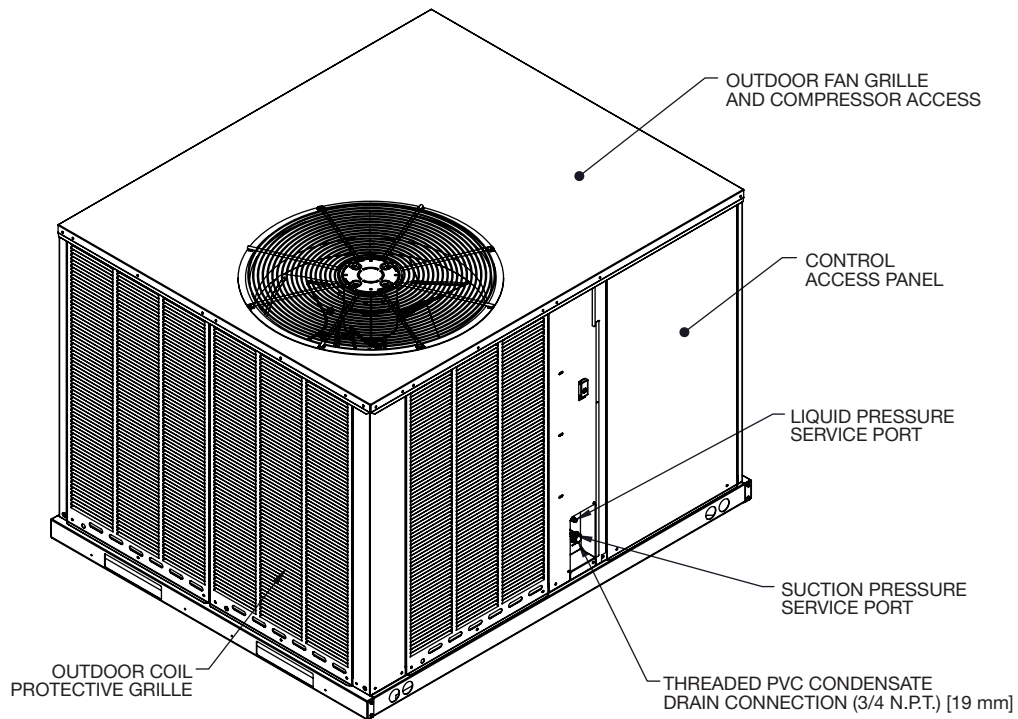
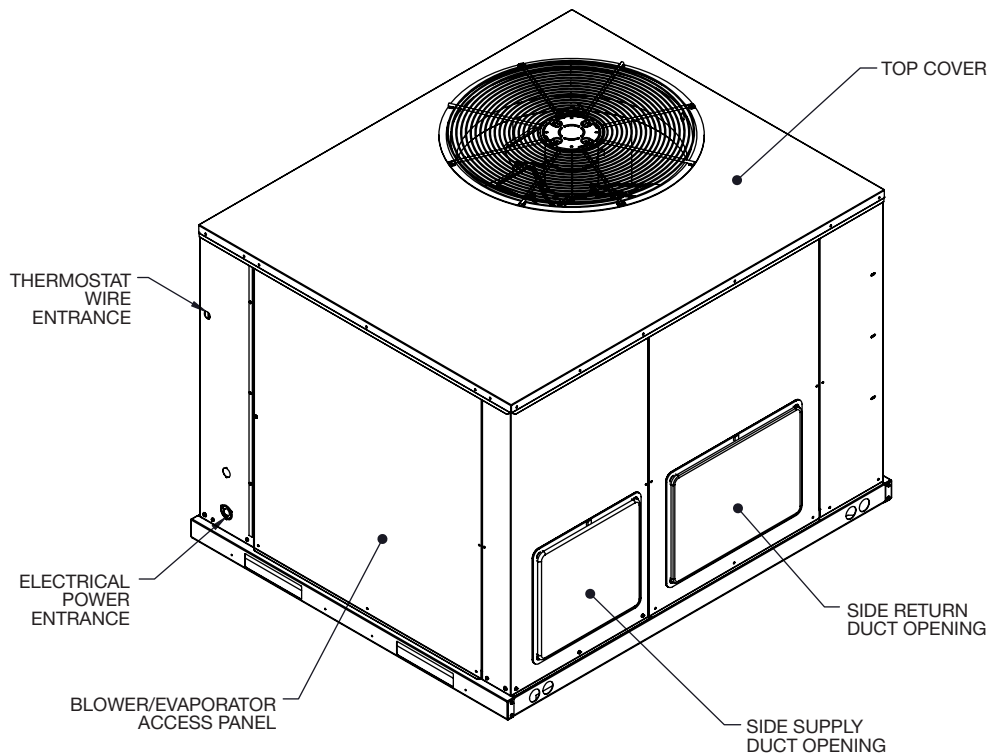


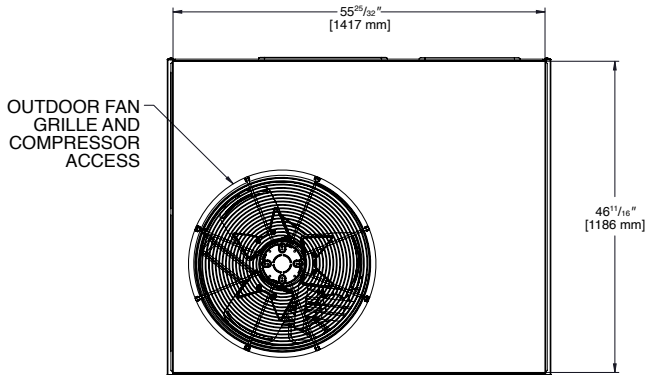
Illustration
ST-A1334-01

[] Designates Metric Conversions

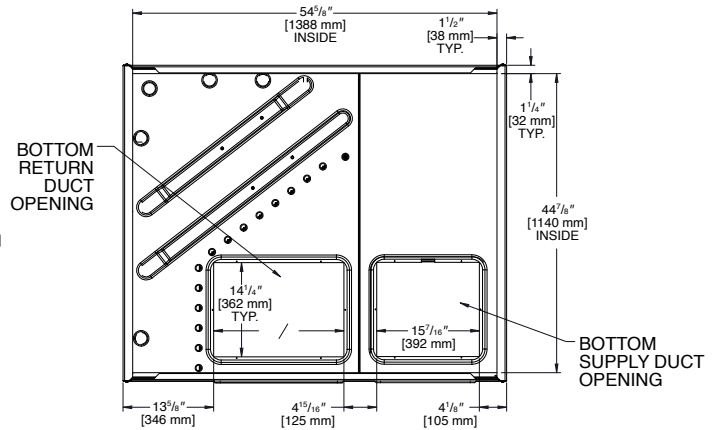
DIMENSIONAL DATA

RHPX Cabinet

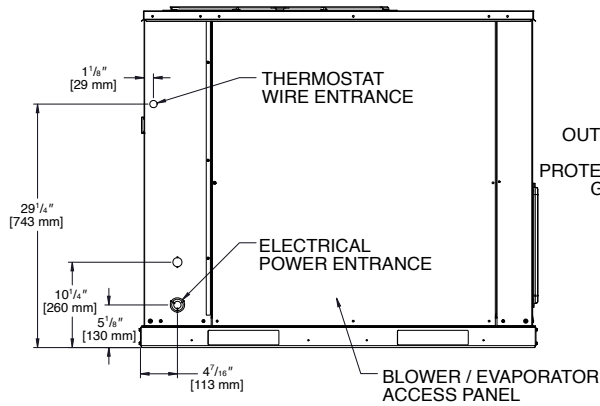
TOP VIEW



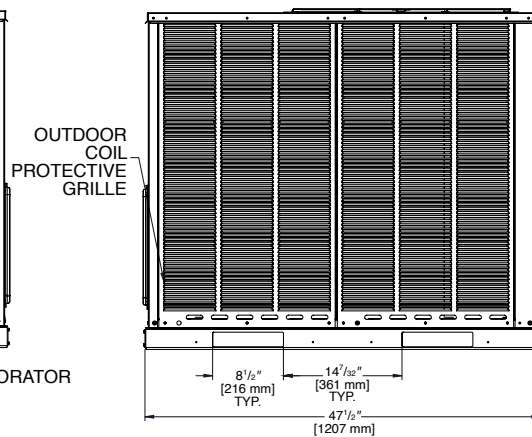
BOTTOM VIEW



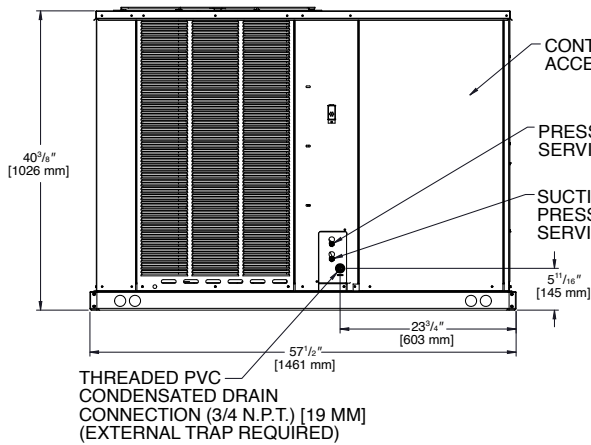
SIDE VIEW



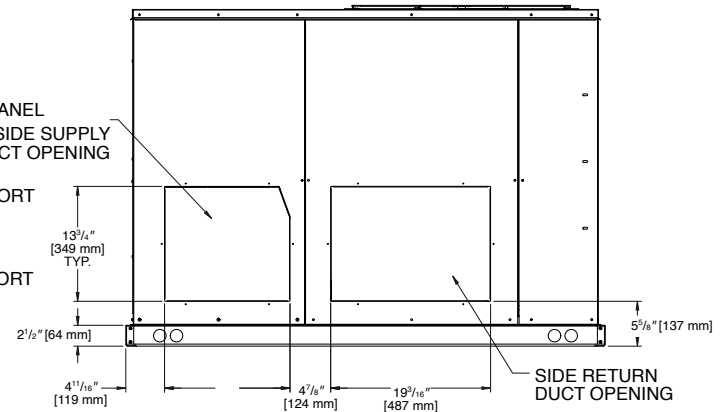
SIDE VIEW



FRONT VIEW



REAR VIEW

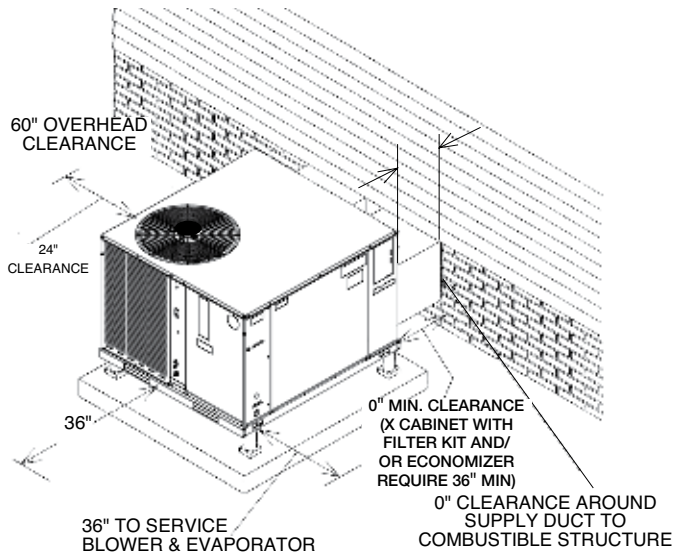


Model RHPX	Height
036, 042, 048, 060	41

Illustration
ST-A1334-02

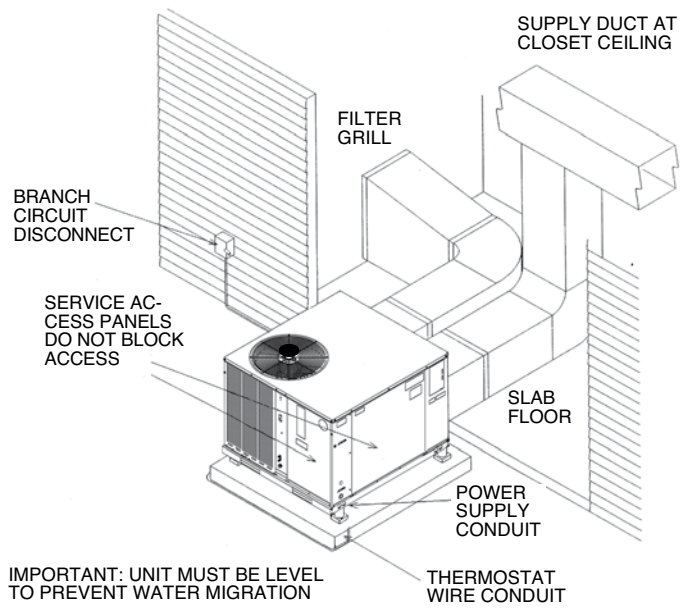
[] Designates Metric Conversions

PACKAGED HEAT PUMP
OUTSIDE SLAB INSTALLATION, BASEMENT OR
CRAWL SPACE DISTRIBUTION SYSTEM



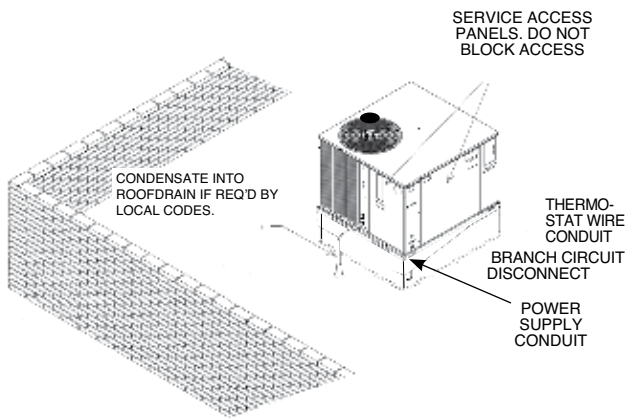
ST-A1334-06-01

PACKAGED HEAT PUMP
OUTSIDE SLAB INSTALLATION, CLOSET DISTRIBUTION
SYSTEM. SLAB FLOOR CONSTRUCTION



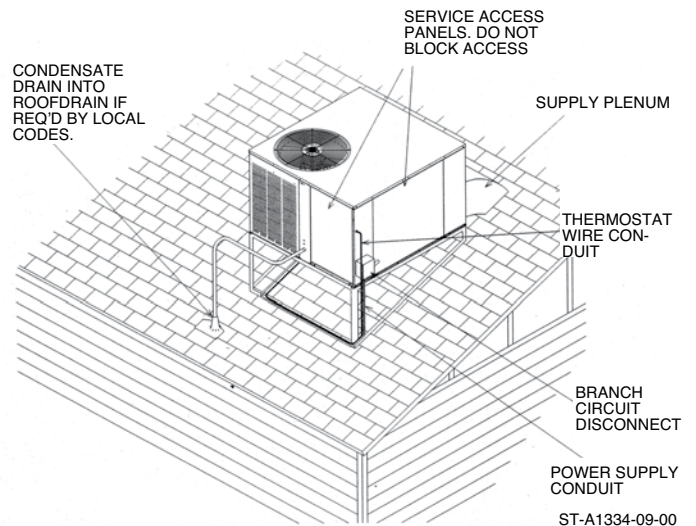
ST-A1334-07-00

PACKAGED AIR CONDITIONER FLAT ROOFTOP INSTALLATION, ATTIC OR DROP CEILING DISTRIBUTION SYSTEM. MOUNTED ON ROOFCURB, CURB MUST BE LEVEL.



ST-A1334-08-01

PACKAGED HEAT PUMP
PITCHED ROOFTOP INSTALLATION, ATTIC OR DROP CEILING DISTRIBUTING SYSTEM. MUST BE MOUNTED LEVEL.



ST-A1334-09-00

Regular cleaning will reduce the buildup of contaminants and help to protect the unit's finish.

WARNING: Disconnect all power to unit before starting maintenance. Failure to do so can cause electrical shock resulting in personal injury or death.

[] Designates Metric Conversions

NOMINAL SIZES 2-5 TONS [7.03-17.6 kW]

Model RHP(A/X)YB- Series	RHPAYB024AJT	RHPAYB030ACT	RHPAYB030AJT	RHPXYB036ACT
Cooling Performance¹				CONTINUED →
Nominal Cooling Capacity Btu/h [kW]	24,000 [7.03]	30,000 [8.79]	30,000 [8.79]	36,000 [10.55]
EER2/SEER2 ²	10.6/13.4	10.6/13.4	10.6/13.4	10.6/13.4
Nominal CFM/AHRI Rated CFM [L/s]	800/870 [378/411]	1000/1030 [472/486]	1000/1030 [472/486]	1200/1245 [566/588]
AHRI Net Cooling Capacity Btu/h [kW]	22,800 [6.68]	28,600 [8.38]	28,600 [8.38]	34,200 [10.02]
Net Sensible Capacity Btu/h [kW]	17,100 [5.01]	21,400 [6.27]	21,400 [6.27]	25,600 [7.5]
Net Latent Capacity Btu/h [kW]	5,700 [1.67]	7,200 [2.11]	7,200 [2.11]	8,600 [2.52]
Net System Power [kW]	2.15	2.7	2.7	3.23
Heating Performance (Heat Pumps)				
High Temp. Btu/h [kW] Rating	22,600 [6.62]	27,400 [8.03]	27,400 [8.03]	3,4000 [9.96]
High Temp System Power kW/COP	1.79 / 3.7	2.27 / 3.54	2.27 / 3.54	2.77 / 3.6
Low Temp. Btu/h [kW] Rating	12,800 [3.75]	16,000 [4.69]	16,000 [4.69]	18,200 [5.33]
Low Temp System Power kW/COP	1.71 / 2.2	2.23 / 2.1	2.23 / 2.1	2.6 / 2.05
HSPF2 ³ (Btu/Watts-hr)	6.7	6.7	6.7	6.7
Compressor				
No./Stg/Type	1/1/scroll	1/1/scroll	1/1/scroll	1/1/scroll
Outdoor Sound Rating (dB)⁴	74	77	77	78
Outdoor Coil—Fin Type	MicroChannel	MicroChannel	MicroChannel	MicroChannel
Tube Type	MicroChannel	constant Torque	MicroChannel	MicroChannel
Rifled: Tube Size OD or MicroChannel: Depth in. [mm]	0.63 [16.00]	0.63 [16.00]	0.63 [16.00]	0.63 [16.00]
Face Area sq. ft. [sq. m]	8.41 [0.78]	9.87 [0.92]	9.87 [0.92]	16.48 [1.53]
Rows / FPI [FPcm]	1 / 16 [6]	1 / 16 [6]	1 / 16 [6]	1 / 16 [6]
Indoor Coil—Fin Type	MicroChannel	MicroChannel	MicroChannel	MicroChannel
Tube Type	MicroChannel	MicroChannel	MicroChannel	MicroChannel
Rifled: Tube Size OD or MicroChannel: Depth in. [mm]	1.00 [25.40]	1.00 [25.40]	1.00 [25.40]	1.00 [25.40]
Face Area sq. ft. [sq. m]	3.9 [0.36]	4.3 [0.40]	4.3 [0.40]	7.4 [0.68]
Rows / FPI [FPcm]	1 / 20 [8]	1 / 20 [8]	1 / 20 [8]	1 / 20 [8]
Refrigerant Control	TXV	TXV	TXV	TXV
Drain Connection No./Size in. [mm]	1 / 0.75 [19.0]	1 / 0.75 [19.0]	1 / 0.75 [19.0]	1 / 0.75 [19.0]
Outdoor Fan—Type	Propeller	Propeller	Propeller	Propeller
No. Used/Diameter in. [mm]	1/22 [559]	1/22 [559]	1/22 [559]	1/24 [610]
Drive Type/No. Speeds	Direct/Single Speed	Direct/Single Speed	Direct/Single Speed	Direct/Single Speed
CFM [L/s]	3400 [1605]	4200 [1982]	4200 [1982]	4300 [2029]
No. Motors/HP	1 at 1/3	1 at 1/3	1 at 1/3	1 at 1/3
Motor RPM	825	1050	1050	825
Indoor Fan—Type	Constant Torque	Constant Torque	Constant Torque	Constant Torque
No. Used/Diameter in. [mm]	1/10x9 [254x229]	1/11x9 [279x229]	1/11x9 [279x229]	1/11x9 [279x229]
Drive Type	Direct	Direct	Direct	Direct
No. Speeds	Multiple Speed	Multiple Speed	Multiple Speed	Multiple Speed
No. Motors	1	1	1	1
Motor HP	1/3	1/2	1/2	1/2
Motor RPM	1200	1200	1200	1200
Motor Frame Size	48	48	48	48
Filter—Type	Field Supplied	Field Supplied	Field Supplied	Field Supplied
Furnished	No	No	No	No
(NO.) Size Recommended in. [mm x mm x mm]	(1) 1x24x24 [25x609x609]	(1) 1x24x24 [25x609x609]	(1) 1x24x24 [25x609x609]	(2) 1x16x30 [25x406x762]
Refrigerant Charge Oz. [g]	58 [1644.2]	56 [1587.5]	56 [1587.5]	77 [2183]
Weights				
Net Weight lbs. [kg]	360 [163]	410 [186]	410 [186]	439 [199]
Ship Weight lbs. [kg]	370 [168]	420 [191]	420 [191]	449 [204]

See Page 14 for Notes.

[] Designates Metric Conversions

NOMINAL SIZES 2-5 TONS [7.03-17.6 kW]

Model RHP(A/X)YB- Series	RHPXYB036ADT	RHPXYB036AJT	RHPXYB042ACT	RHPXYB042AJT
Cooling Performance¹				CONTINUED →
Nominal Cooling Capacity Btu/h [kW]	36,000 [10.55]	36,000 [10.55]	42,000 [12.31]	42,000 [12.31]
EER2/SEER2 ²	10.6/13.4	10.6/13.4	10.6/13.4	10.6/13.4
Nominal CFM/AHRI Rated CFM [L/s]	1200/1245 [566/588]	1200/1245 [566/588]	1400/1475 [661/696]	1400/1475 [661/696]
AHRI Net Cooling Capacity Btu/h [kW]	34,200 [10.02]	34,200 [10.02]	40,000 [11.72]	40,000 [11.72]
Net Sensible Capacity Btu/h [kW]	25,600 [7.5]	25,600 [7.5]	30,000 [8.79]	30,000 [8.79]
Net Latent Capacity Btu/h [kW]	8,600 [2.52]	8,600 [2.52]	10,000 [2.93]	10,000 [2.93]
Net System Power [kW]	3.23	3.23	3.77	3.77
Heating Performance (Heat Pumps)				
High Temp. Btu/h [kW] Rating	34,000 [9.96]	34,000 [9.96]	40,000 [11.72]	40,000 [11.72]
High Temp System Power kW/COP	2.77 / 3.6	2.77 / 3.6	3.26 / 3.6	3.26 / 3.6
Low Temp. Btu/h [kW] Rating	18,200 [5.33]	18,200 [5.33]	23,000 [6.74]	23,000 [6.74]
Low Temp System Power kW/COP	2.6 / 2.05	2.6 / 2.05	3.06 / 2.2	3.06 / 2.2
HSPF2 ³ (Btu/Watts-hr)	6.7	6.7	6.7	6.7
Compressor				
No./Stg/Type	1/1/scroll	1/1/scroll	1/1/scroll	1/1/scroll
Outdoor Sound Rating (dB)⁴	78	78	80	80
Outdoor Coil—Fin Type	MicroChannel	MicroChannel	MicroChannel	MicroChannel
Tube Type	MicroChannel	MicroChannel	MicroChannel	MicroChannel
Rifled: Tube Size OD or MicroChannel: Depth in. [mm]	0.63 [16.00]	0.63 [16.00]	0.63 [16.00]	0.63 [16.00]
Face Area sq. ft. [sq. m]	16.48 [1.53]	16.48 [1.53]	16.48 [1.53]	16.48 [1.53]
Rows / FPI [FPcm]	1 / 16 [6]	1 / 16 [6]	1 / 16 [6]	1 / 16 [6]
Indoor Coil—Fin Type	MicroChannel	MicroChannel	MicroChannel	MicroChannel
Tube Type	MicroChannel	MicroChannel	MicroChannel	MicroChannel
Rifled: Tube Size OD or MicroChannel: Depth in. [mm]	1.00 [25.40]	1.00 [25.40]	1.00 [25.40]	1.00 [25.40]
Face Area sq. ft. [sq. m]	7.4 [0.68]	7.4 [0.68]	7.4 [0.68]	7.4 [0.68]
Rows / FPI [FPcm]	1 / 20 [8]	1 / 20 [8]	1 / 20 [8]	1 / 20 [8]
Refrigerant Control	TXV	TXV	TXV	TXV
Drain Connection No./Size in. [mm]	1 / 0.75 [19.0]	1 / 0.75 [19.0]	1 / 0.75 [19.0]	1 / 0.75 [19.0]
Outdoor Fan—Type	Propeller	Propeller	Propeller	Propeller
No. Used/Diameter in. [mm]	1/24 [610]	1/24 [610]	1/24 [610]	1/24 [610]
Drive Type/No. Speeds	Direct/Single Speed	Direct/Single Speed	Direct/Single Speed	Direct/Single Speed
CFM [L/s]	4300 [2029]	4300 [2029]	4300 [2029]	4300 [2029]
No. Motors/HP	1 at 1/3	1 at 1/3	1 at 1/3	1 at 1/3
Motor RPM	825	825	1050	1050
Indoor Fan—Type	Constant Torque	Constant Torque	Constant Torque	Constant Torque
No. Used/Diameter in. [mm]	1/11x9 [279x229]	1/11x9 [279x229]	1/11x9 [279x229]	1/11x9 [279x229]
Drive Type	Direct	Direct	Direct	Direct
No. Speeds	Multiple Speed	Multiple Speed	Multiple Speed	Multiple Speed
No. Motors	1	1	1	1
Motor HP	3/4	1/2	3/4	3/4
Motor RPM	1200	1200	1200	1200
Motor Frame Size	48	48	48	48
Filter—Type	Field Supplied	Field Supplied	Field Supplied	Field Supplied
Furnished	No	No	No	No
(NO.) Size Recommended in. [mm x mm x mm]	(2) 1x16x30 [25x406x762]	(2) 1x16x30 [25x406x762]	(2) 1x16x30 [25x406x762]	(2) 1x16x30 [25x406x762]
Refrigerant Charge Oz. [g]	77 [2183]	77 [2183]	76 [2154.5]	76 [2154.5]
Weights				
Net Weight lbs. [kg]	439 [199]	439 [199]	439 [199]	439 [199]
Ship Weight lbs. [kg]	449 [204]	449 [204]	449 [204]	449 [204]

See Page 14 for Notes.

[] Designates Metric Conversions

NOMINAL SIZES 2-5 TONS [7.03-17.6 kW]

Model RHP(A/X)YB- Series	RHPXYB048ACT	RHPXYB048ADT	RHPXYB048AJT
			CONTINUED →
Cooling Performance¹			
Nominal Cooling Capacity Btu/h [kW]	48,000 [14.06]	48,000 [14.06]	48,000 [14.06]
EER2/SEER2 ²	10.6/13.4	10.6/13.4	10.6/13.4
Nominal CFM/AHRI Rated CFM [L/s]	1600/1650 [755/779]	1600/1650 [755/779]	1600/1650 [755/779]
AHRI Net Cooling Capacity Btu/h [kW]	45,500 [13.34]	45,500 [13.34]	45,500 [13.34]
Net Sensible Capacity Btu/h [kW]	34,200 [10.02]	34,200 [10.02]	34,200 [10.02]
Net Latent Capacity Btu/h [kW]	11,300 [3.31]	11,300 [3.31]	11,300 [3.31]
Net System Power [kW]	4.29	4.29	4.29
Heating Performance (Heat Pumps)			
High Temp. Btu/h [kW] Rating	45,500 [13.34]	45,500 [13.34]	45,500 [13.34]
High Temp System Power kW/COP	3.81 / 3.5	3.81 / 3.5	3.81 / 3.5
Low Temp. Btu/h [kW] Rating	26,000 [7.62]	26,000 [7.62]	26,000 [7.62]
Low Temp System Power kW/COP	3.59 / 2.12	3.59 / 2.12	3.59 / 2.12
HSPF2 ³ (Btu/Watts-hr)	6.7	6.7	6.7
Compressor			
No./Stg/Type	1/1/scroll	1/1/scroll	1/1/scroll
Outdoor Sound Rating (dB)⁴			
	80	80	80
Outdoor Coil—Fin Type			
Tube Type	MicroChannel	MicroChannel	MicroChannel
Rifled: Tube Size OD or MicroChannel: Depth in. [mm]	1.00 [25.40]	1.00 [25.40]	1.00 [25.40]
Face Area sq. ft. [sq. m]	16.29 [1.51]	16.29 [1.51]	16.29 [1.51]
Rows / FPI [FPcm]	1 / 16 [6]	1 / 16 [6]	1 / 16 [6]
Indoor Coil—Fin Type			
Tube Type	MicroChannel	MicroChannel	MicroChannel
Rifled: Tube Size OD or MicroChannel: Depth in. [mm]	1.00 [25.40]	1.00 [25.40]	1.00 [25.40]
Face Area sq. ft. [sq. m]	7.4 [0.68]	7.4 [0.68]	7.4 [0.68]
Rows / FPI [FPcm]	1 / 20 [8]	1 / 20 [8]	1 / 20 [8]
Refrigerant Control	TXV	TXV	TXV
Drain Connection No./Size in. [mm]	1 / 0.75 [19.0]	1 / 0.75 [19.0]	1 / 0.75 [19.0]
Outdoor Fan—Type			
No. Used/Diameter in. [mm]	1/24 [610]	1/24 [610]	1/24 [610]
Drive Type/No. Speeds	Direct/Single Speed	Direct/Single Speed	Direct/Single Speed
CFM [L/s]	4100 [1935]	4100 [1935]	4100 [1935]
No. Motors/HP	1 at 1/3	1 at 1/3	1 at 1/3
Motor RPM	1050	1050	1050
Indoor Fan—Type			
No. Used/Diameter in. [mm]	1/11x9 [279x229]	1/11x9 [279x229]	1/11x9 [279x229]
Drive Type	Direct	Direct	Direct
No. Speeds	Multiple Speed	Multiple Speed	Multiple Speed
No. Motors	1	1	1
Motor HP	3/4	3/4	3/4
Motor RPM	1200	1200	1200
Motor Frame Size	48	48	48
Filter—Type			
Furnished	No	No	No
(NO.) Size Recommended in. [mm x mm x mm]	(2) 1x16x30 [25x406x762]	(2) 1x16x30 [25x406x762]	(2) 1x16x30 [25x406x762]
Refrigerant Charge Oz. [g]	112 [3175.1]	112 [3175.1]	112 [3175.1]
Weights			
Net Weight lbs. [kg]	465 [211]	465 [211]	465 [211]
Ship Weight lbs. [kg]	475 [215]	475 [215]	475 [215]

See Page 14 for Notes.

[] Designates Metric Conversions

NOMINAL SIZES 2-5 TONS [7.03-17.6 kW]

Model RHP(A/X)YB- Series	RHPXYB060ACT	RHPXYB060ADT	RHPXYB060AJT
Cooling Performance¹			
Nominal Cooling Capacity Btu/h [kW]	60,000 [17.58]	60,000 [17.58]	60,000 [17.58]
EER2/SEER2 ²	10.6/13.4	10.6/13.4	10.6/13.4
Nominal CFM/AHRI Rated CFM [L/s]	2000/1900 [944/897]	2000/1900 [944/897]	2000/1900 [944/897]
AHRI Net Cooling Capacity Btu/h [kW]	57,000 [16.71]	57,000 [16.71]	57,000 [16.71]
Net Sensible Capacity Btu/h [kW]	43,000 [12.6]	43,000 [12.6]	43,000 [12.6]
Net Latent Capacity Btu/h [kW]	14,000 [4.1]	14,000 [4.1]	14,000 [4.1]
Net System Power [kW]	5.38	5.38	5.38
Heating Performance (Heat Pumps)			
High Temp. Btu/h [kW] Rating	56,500 [16.56]	56,500 [16.56]	56,500 [16.56]
High Temp System Power kW/COP	4.54 / 3.65	4.54 / 3.65	4.54 / 3.65
Low Temp. Btu/h [kW] Rating	28,200 [8.26]	28,200 [8.26]	28,200 [8.26]
Low Temp System Power kW/COP	3.67 / 2.25	3.67 / 2.25	3.67 / 2.25
HSPF2 ³ (Btu/Watts-hr)	6.7	6.7	6.7
Compressor			
No./Stg/Type	1/2/scroll	1/2/scroll	1/2/scroll
Outdoor Sound Rating (dB)⁴			
	81	81	81
Outdoor Coil—Fin Type			
Tube Type	MicroChannel	MicroChannel	MicroChannel
Rifled: Tube Size OD or MicroChannel: Depth in. [mm]	1.26 [32.00]	1.26 [32.00]	1.26 [32.00]
Face Area sq. ft. [sq. m]	16.19 [1.50]	16.19 [1.50]	16.19 [1.50]
Rows / FPI [FPcm]	1 / 16 [6]	1 / 16 [6]	1 / 16 [6]
Indoor Coil—Fin Type			
Tube Type	MicroChannel	MicroChannel	MicroChannel
Rifled: Tube Size OD or MicroChannel: Depth in. [mm]	1.26 [32.00]	1.26 [32.00]	1.26 [32.00]
Face Area sq. ft. [sq. m]	7.6 [0.71]	7.6 [0.71]	7.6 [0.71]
Rows / FPI [FPcm]	1 / 20 [8]	1 / 20 [8]	1 / 20 [8]
Refrigerant Control	TXV	TXV	TXV
Drain Connection No./Size in. [mm]	1 / 0.75 [19.0]	1 / 0.75 [19.0]	1 / 0.75 [19.0]
Outdoor Fan—Type			
No. Used/Diameter in. [mm]	1/24 [610]	1/24 [610]	1/24 [610]
Drive Type/No. Speeds	Direct/Single Speed	Direct/Single Speed	Direct/Single Speed
CFM [L/s]	4300 [2029]	4300 [2029]	4300 [2029]
No. Motors/HP	1 at 1/2	1 at 1/2	1 at 1/2
Motor RPM	1075	1075	1075
Indoor Fan—Type			
No. Used/Diameter in. [mm]	1/11x9 [279x229]	1/11x9 [279x229]	1/11x9 [279x229]
Drive Type	Direct	Direct	Direct
No. Speeds	Multiple Speed	Multiple Speed	Multiple Speed
No. Motors	1	1	1
Motor HP	1	1	1
Motor RPM	1200	1200	1200
Motor Frame Size	48	48	48
Filter—Type			
Furnished	No	No	No
(NO.) Size Recommended in. [mm x mm x mm]	(2) 1x16x30 [25x406x762]	(2) 1x16x30 [25x406x762]	(2) 1x16x30 [25x406x762]
Refrigerant Charge Oz. [g]	144.0 [4082.3]	144.0 [4082.3]	144.0 [4082.3]
Weights			
Net Weight lbs. [kg]	518 [235]	518 [235]	518 [235]
Ship Weight lbs. [kg]	528 [239]	528 [239]	528 [239]

See Page 14 for Notes.

[] Designates Metric Conversions

NOTES:

1. Cooling Performance is rated at 95°F ambient, 80°F entering dry bulb, 67°F entering wet bulb. Gross capacity does not include the effect of fan motor heat. AHRI capacity is net and includes the effect of fan motor heat. Units are suitable for operation to $\pm 20\%$ of nominal cfm. Units are certified in accordance with the Unitary Air Conditioner Equipment certification program, which is based on AHRI Standard 210/240 or 360.
2. EER2 and/or SEER2 are rated at AHRI conditions and in accordance with DOE test procedures.
3. HSPF2 is rated at AHRI conditions and in accordance with DOE test procedures.
4. Outdoor Sound Rating shown is tested in accordance with AHRI Standard 270.

COOLING PERFORMANCE DATA—RHPAYB024

		ENTERING INDOOR AIR @ 80°F [26.7°C] dbE ①									
		wbE	71°F [21.7°C]			67°F [19.4°C]			63°F [17.2°C]		
			CFM [L/s]	900 [425]	875 [413]	700 [330]	900 [425]	875 [413]	700 [330]	900 [425]	875 [413]
DR ①		.05			.09			.12			
O U T D O O R D R Y B U L B T E M P E R A T U R E ° F [° C]	75 [23.9]	Total kBtu/h [kW] Sens kBtu/h [kW] Power	31.0 [9.1] 17.2 [5.0] 1.6	30.8 [9.0] 17.0 [5.0] 1.6	29.7 [8.7] 15.4 [4.5] 1.5	28.6 [8.4] 20.7 [6.1] 1.6	28.5 [8.4] 20.4 [6.0] 1.6	27.4 [8.0] 18.5 [5.4] 1.5	27.1 [7.9] 23.6 [6.9] 1.6	26.9 [7.9] 23.3 [6.8] 1.6	25.9 [7.6] 21.1 [6.2] 1.5
	80 [26.7]	Total kBtu/h [kW] Sens kBtu/h [kW] Power	30.2 [8.9] 16.8 [4.9] 1.7	30.0 [8.8] 16.6 [4.9] 1.7	28.9 [8.5] 15.1 [4.4] 1.6	27.8 [8.1] 20.3 [5.9] 1.7	27.7 [8.1] 20.1 [5.9] 1.7	26.6 [7.8] 18.2 [5.3] 1.6	26.2 [7.7] 23.2 [6.8] 1.7	26.1 [7.6] 22.9 [6.7] 1.7	25.1 [7.4] 20.8 [6.1] 1.6
	85 [29.4]	Total kBtu/h [kW] Sens kBtu/h [kW] Power	29.3 [8.6] 16.4 [4.8] 1.8	29.2 [8.6] 16.2 [4.7] 1.8	28.1 [8.2] 14.7 [4.3] 1.7	27.0 [7.9] 19.9 [5.8] 1.8	26.8 [7.9] 19.7 [5.8] 1.8	25.8 [7.6] 17.8 [5.2] 1.8	25.4 [7.4] 22.8 [6.7] 1.8	25.2 [7.4] 22.5 [6.6] 1.8	24.3 [7.1] 20.4 [6.0] 1.8
	90 [32.2]	Total kBtu/h [kW] Sens kBtu/h [kW] Power	28.5 [8.4] 16.0 [4.7] 1.9	28.3 [8.3] 15.8 [4.6] 1.9	27.3 [8.0] 14.3 [4.2] 1.9	26.1 [7.6] 19.5 [5.7] 1.9	26.0 [7.6] 19.2 [5.6] 1.9	25.0 [7.3] 17.5 [5.1] 1.9	24.5 [7.2] 22.4 [6.6] 1.9	24.4 [7.2] 22.1 [6.5] 1.9	23.5 [6.9] 20.1 [5.9] 1.9
	95 [35]	Total kBtu/h [kW] Sens kBtu/h [kW] Power	27.6 [8.1] 15.6 [4.6] 2.0	27.4 [8.0] 15.4 [4.5] 2.0	26.4 [7.7] 13.9 [4.1] 2.0	25.2 [7.4] 19.1 [5.6] 2.0	25.1 [7.4] 18.8 [5.5] 2.0	24.2 [7.1] 17.1 [5.0] 2.0	23.6 [6.9] 22.0 [6.4] 2.0	23.5 [6.9] 21.7 [6.4] 2.0	22.7 [6.7] 19.7 [5.8] 2.0
	100 [37.8]	Total kBtu/h [kW] Sens kBtu/h [kW] Power	26.7 [7.8] 15.1 [4.4] 2.2	26.6 [7.8] 14.9 [4.4] 2.2	25.6 [7.5] 13.5 [4.0] 2.1	24.3 [7.1] 18.6 [5.5] 2.2	24.2 [7.1] 18.4 [5.4] 2.2	23.3 [6.8] 16.7 [4.9] 2.1	22.8 [6.7] 21.6 [6.3] 2.2	22.6 [6.6] 21.3 [6.2] 2.2	21.8 [6.4] 19.3 [5.7] 2.1
	105 [40.6]	Total kBtu/h [kW] Sens kBtu/h [kW] Power	25.8 [7.6] 14.7 [4.3] 2.3	25.7 [7.5] 14.5 [4.2] 2.3	24.7 [7.2] 13.1 [3.8] 2.3	23.4 [6.9] 18.2 [5.3] 2.3	23.3 [6.8] 17.9 [5.2] 2.3	22.5 [6.6] 16.3 [4.8] 2.3	21.9 [6.4] 21.1 [6.2] 2.3	21.8 [6.4] 20.8 [6.1] 2.3	21.0 [6.2] 18.9 [5.5] 2.3
	110 [43.3]	Total kBtu/h [kW] Sens kBtu/h [kW] Power	24.9 [7.3] 14.2 [4.2] 2.5	24.8 [7.3] 14.0 [4.1] 2.5	23.9 [7.0] 12.7 [3.7] 2.4	22.5 [6.6] 17.7 [5.2] 2.5	22.4 [6.6] 17.5 [5.1] 2.5	21.6 [6.3] 15.8 [4.6] 2.4	21.0 [6.2] 20.6 [6.0] 2.5	20.9 [6.1] 20.4 [6.0] 2.5	20.1 [5.9] 18.5 [5.4] 2.4
	115 [46.1]	Total kBtu/h [kW] Sens kBtu/h [kW] Power	24.0 [7.0] 13.7 [4.0] 2.6	23.8 [7.0] 13.6 [4.0] 2.6	23.0 [6.7] 12.3 [3.6] 2.6	21.6 [6.3] 17.2 [5.0] 2.6	21.5 [6.3] 17.0 [5.0] 2.6	20.7 [6.1] 15.4 [4.5] 2.6	20.0 [5.9] 20.0 [5.9] 2.6	19.9 [5.8] 19.9 [5.8] 2.6	19.2 [5.6] 18.0 [5.3] 2.6
	120 [48.9]	Total kBtu/h [kW] Sens kBtu/h [kW] Power	23.0 [6.7] 13.2 [3.9] 2.8	22.9 [6.7] 13.1 [3.8] 2.8	22.1 [6.5] 11.9 [3.5] 2.7	20.7 [6.1] 16.7 [4.9] 2.8	20.6 [6.0] 16.5 [4.8] 2.8	19.8 [5.8] 15.0 [4.4] 2.7	19.1 [5.6] 19.1 [5.6] 2.8	19.0 [5.6] 19.0 [5.6] 2.8	18.3 [5.4] 17.6 [5.2] 2.7
125 [51.7]	Total kBtu/h [kW] Sens kBtu/h [kW] Power	22.1 [6.5] 12.7 [3.7] 3.0	22.0 [6.4] 12.6 [3.7] 2.9	21.2 [6.2] 11.4 [3.3] 2.9	19.7 [5.8] 16.2 [4.7] 3.0	19.6 [5.7] 16.0 [4.7] 2.9	18.9 [5.5] 14.5 [4.2] 2.9	18.2 [5.3] 18.2 [5.3] 3.0	18.1 [5.3] 18.1 [5.3] 3.0	17.4 [5.1] 17.1 [5.0] 2.9	

DR —Depression ratio
dbE —Entering air dry bulb
wbE—Entering air wet bulb

Total —Total capacity x 1000 Btu/h
Sens —Sensible capacity x 1000 Btu/h
Power—kW input

NOTES:

① When the entering air dry bulb is other than 80°F [27°C], adjust the sensible capacity from the table by adding $[1.10 \times \text{CFM} \times (1 - \text{DR}) \times (\text{dbE} - 80)]$.

HEATING PERFORMANCE DATA—RHPAYB024

IDB		60°F [15.6°C]			70°F [21.1°C]			80°F [26.7°C]			
CFM [L/s]		900 [425]	875 [413]	700 [330]	900 [425]	875 [413]	700 [330]	900 [425]	875 [413]	700 [330]	
O U T D O O R D R Y B U L B T E M P E R A T U R E ° F [° C]	0 [-17.8]	Total kBtu/h [kW] Power	8.0 [2.3] 1.6	8.0 [2.3] 1.6	7.9 [2.3] 1.6	7.2 [2.1] 1.7	7.2 [2.1] 1.7	7.1 [2.1] 1.8	6.4 [1.9] 1.9	6.4 [1.9] 1.9	6.3 [1.8] 2.0
	5 [-15]	Total kBtu/h [kW] Power	9.5 [2.8] 1.5	9.5 [2.8] 1.5	9.4 [2.8] 1.6	8.8 [2.6] 1.7	8.7 [2.5] 1.7	8.6 [2.5] 1.7	8.0 [2.3] 1.9	7.9 [2.3] 1.9	7.8 [2.3] 1.9
	10 [-12.2]	Total kBtu/h [kW] Power	11.1 [3.3] 1.5	11.1 [3.3] 1.5	10.9 [3.2] 1.5	10.3 [3.0] 1.7	10.3 [3.0] 1.7	10.1 [3] 1.7	9.5 [2.8] 1.9	9.5 [2.8] 1.9	9.4 [2.8] 1.9
	15 [-9.4]	Total kBtu/h [kW] Power	12.6 [3.7] 1.5	12.6 [3.7] 1.5	12.4 [3.6] 1.5	11.8 [3.5] 1.7	11.8 [3.5] 1.7	11.7 [3.4] 1.7	11.1 [3.3] 1.8	11.0 [3.2] 1.8	10.9 [3.2] 1.9
	20 [-6.7]	Total kBtu/h [kW] Power	14.2 [4.2] 1.5	14.2 [4.2] 1.5	14.0 [4.1] 1.5	13.4 [3.9] 1.7	13.4 [3.9] 1.7	13.2 [3.9] 1.7	12.6 [3.7] 1.8	12.6 [3.7] 1.8	12.4 [3.6] 1.9
	25 [-3.9]	Total kBtu/h [kW] Power	15.7 [4.6] 1.5	15.7 [4.6] 1.5	15.5 [4.5] 1.5	14.9 [4.4] 1.7	14.9 [4.4] 1.7	14.7 [4.3] 1.7	14.2 [4.2] 1.8	14.1 [4.1] 1.8	13.9 [4.1] 1.9
	30 [-1.1]	Total kBtu/h [kW] Power	17.3 [5.1] 1.5	17.2 [5.0] 1.5	17.0 [5.0] 1.5	16.5 [4.8] 1.7	16.5 [4.8] 1.7	16.2 [4.7] 1.7	15.7 [4.6] 1.9	15.7 [4.6] 1.9	15.5 [4.5] 1.9
	35 [1.7]	Total kBtu/h [kW] Power	18.8 [5.5] 1.5	18.8 [5.5] 1.5	18.5 [5.4] 1.6	18.0 [5.3] 1.7	18.0 [5.3] 1.7	17.8 [5.2] 1.7	17.3 [5.1] 1.9	17.2 [5] 1.9	1.07 [5.0] 1.9
	40 [4.4]	Total kBtu/h [kW] Power	20.4 [6.0] 1.6	20.3 [5.9] 1.6	20.0 [5.9] 1.6	19.6 [5.7] 1.7	19.6 [5.7] 1.7	19.3 [5.7] 1.8	18.8 [5.5] 1.9	18.8 [5.5] 1.9	18.5 [5.4] 2.0
	45 [7.2]	Total kBtu/h [kW] Power	21.9 [6.4] 1.6	21.9 [6.4] 1.6	21.6 [6.3] 1.6	21.1 [6.2] 1.8	21.1 [6.2] 1.8	20.8 [6.1] 1.8	20.4 [6.0] 1.9	20.3 [5.9] 2.0	20.0 [5.9] 2.0
50 [10]	Total kBtu/h [kW] Power	23.5 [6.9] 1.6	23.4 [6.9] 1.7	23.1 [6.8] 1.7	22.7 [6.7] 1.8	22.6 [6.6] 1.8	22.3 [6.5] 1.9	21.9 [6.4] 2.0	21.9 [6.4] 2.0	21.5 [6.3] 2.1	

IDB—Indoor air dry bulb

[] Designates Metric Conversions

COOLING PERFORMANCE DATA—RHPAYB030

		ENTERING INDOOR AIR @ 80°F [26.7°C] dbE ①									
		wbE	71°F [21.7°C]			67°F [19.4°C]			63°F [17.2°C]		
			CFM [L/s]	1125 [531]	1025 [484]	875 [413]	1125 [531]	1025 [484]	875 [413]	1125 [531]	1025 [484]
		DR ①	.05	.09	.12	.05	.09	.12	.05	.09	.12
O U T D O O R D R Y B U L B T E M P E R A T U R E ° F [° C]	75 [23.9]	Total kBtu/h [kW] Sens kBtu/h [kW] Power	37.0 [10.8] 21.4 [6.3] 2.0	36.3 [10.6] 20.5 [6.0] 2.0	35.4 [10.4] 19.1 [5.6] 1.9	34.6 [10.1] 26.0 [7.6] 2.0	34.0 [10.0] 24.8 [7.3] 2.0	33.1 [9.7] 23.1 [6.8] 1.9	32.8 [9.6] 31.1 [9.1] 2.0	32.3 [9.5] 29.8 [8.7] 2.0	31.4 [9.2] 27.7 [8.1] 2.0
	80 [26.7]	Total kBtu/h [kW] Sens kBtu/h [kW] Power	36.1 [10.6] 21.1 [6.2] 2.1	35.4 [10.4] 20.1 [5.9] 2.1	34.5 [10.1] 18.8 [5.5] 2.1	33.7 [9.9] 25.6 [7.5] 2.1	33.1 [9.7] 24.5 [7.2] 2.1	32.2 [9.4] 22.8 [6.7] 2.1	31.9 [9.3] 30.8 [9.0] 2.1	31.4 [9.2] 29.4 [8.6] 2.1	30.5 [8.9] 27.4 [8.0] 2.1
	85 [29.4]	Total kBtu/h [kW] Sens kBtu/h [kW] Power	35.1 [10.3] 20.7 [6.1] 2.2	34.5 [10.1] 19.8 [5.8] 2.2	33.6 [9.8] 18.4 [5.4] 2.2	32.7 [9.6] 25.2 [7.4] 2.3	32.2 [9.4] 24.1 [7.1] 2.2	31.3 [9.2] 22.5 [6.6] 2.2	31.0 [9.1] 30.4 [8.9] 2.3	30.4 [8.9] 29.0 [8.5] 2.2	29.6 [8.7] 27.1 [7.9] 2.2
	90 [32.2]	Total kBtu/h [kW] Sens kBtu/h [kW] Power	34.1 [10.0] 20.2 [5.9] 2.4	33.5 [9.8] 19.3 [5.7] 2.4	32.6 [9.6] 18.0 [5.3] 2.3	31.7 [9.3] 24.8 [7.3] 2.4	31.2 [9.1] 23.7 [6.9] 2.4	30.3 [8.9] 22.1 [6.5] 2.3	29.9 [8.8] 29.9 [8.8] 2.4	29.4 [8.6] 28.6 [8.4] 2.4	28.6 [8.4] 26.7 [7.8] 2.4
	95 [35]	Total kBtu/h [kW] Sens kBtu/h [kW] Power	33.0 [9.7] 19.7 [5.8] 2.5	32.5 [9.5] 18.9 [5.5] 2.5	31.6 [9.3] 17.6 [5.2] 2.5	30.7 [9.0] 24.3 [7.1] 2.6	30.1 [8.8] 23.2 [6.8] 2.5	29.3 [8.6] 21.6 [6.3] 2.5	28.9 [8.5] 28.9 [8.5] 2.6	28.4 [8.3] 28.2 [8.3] 2.5	27.6 [8.1] 26.2 [7.7] 2.5
	100 [37.8]	Total kBtu/h [kW] Sens kBtu/h [kW] Power	31.9 [9.3] 19.2 [5.6] 2.7	31.4 [9.2] 18.4 [5.4] 2.7	30.5 [8.9] 17.1 [5.0] 2.7	29.6 [8.7] 23.8 [7.0] 2.7	29.1 [8.5] 22.7 [6.7] 2.7	28.3 [8.3] 21.2 [6.2] 2.7	27.8 [8.1] 27.8 [8.1] 2.7	27.3 [8.0] 27.3 [8.0] 2.7	26.6 [7.8] 25.8 [7.6] 2.7
	105 [40.6]	Total kBtu/h [kW] Sens kBtu/h [kW] Power	30.8 [9.0] 18.6 [5.5] 2.9	30.2 [8.9] 17.8 [5.2] 2.9	29.4 [8.6] 16.6 [4.9] 2.8	28.4 [8.3] 23.2 [6.8] 2.9	27.9 [8.2] 22.2 [6.5] 2.9	27.2 [8.0] 20.6 [6.0] 2.8	26.6 [7.8] 26.6 [7.8] 2.9	26.2 [7.7] 26.2 [7.7] 2.9	25.5 [7.5] 25.2 [7.4] 2.9
	110 [43.3]	Total kBtu/h [kW] Sens kBtu/h [kW] Power	29.6 [8.7] 18.0 [5.3] 3.1	29.1 [8.5] 17.2 [5.0] 3.1	28.3 [8.3] 16.0 [4.7] 3.0	27.2 [8.0] 22.5 [6.6] 3.1	26.7 [7.8] 21.6 [6.3] 3.1	26.0 [7.6] 20.1 [5.9] 3.0	25.4 [7.4] 25.4 [7.4] 3.1	25.0 [7.3] 25.0 [7.3] 3.1	24.3 [7.1] 24.3 [7.1] 3.0
	115 [46.1]	Total kBtu/h [kW] Sens kBtu/h [kW] Power	28.3 [8.3] 17.3 [5.1] 3.3	27.8 [8.1] 16.6 [4.9] 3.2	27.1 [7.9] 15.4 [4.5] 3.2	26.0 [7.6] 21.9 [6.4] 3.3	25.5 [7.5] 20.9 [6.1] 3.3	24.8 [7.3] 19.5 [5.7] 3.2	24.2 [7.1] 24.2 [7.1] 3.3	23.8 [7.0] 23.8 [7.0] 3.3	23.1 [6.8] 23.1 [6.8] 3.2
	120 [48.9]	Total kBtu/h [kW] Sens kBtu/h [kW] Power	27.1 [7.9] 16.6 [4.9] 3.5	26.6 [7.8] 15.9 [4.7] 3.5	25.9 [7.6] 14.8 [4.3] 3.4	24.7 [7.2] 21.1 [6.2] 3.5	24.3 [7.1] 20.2 [5.9] 3.5	23.6 [6.9] 18.8 [5.5] 3.4	22.9 [6.7] 22.9 [6.7] 3.5	22.5 [6.6] 22.5 [6.6] 3.5	21.9 [6.4] 21.9 [6.4] 3.4
125 [51.7]	Total kBtu/h [kW] Sens kBtu/h [kW] Power	25.7 [7.5] 15.8 [4.6] 3.7	25.3 [7.4] 15.1 [4.4] 3.7	24.6 [7.2] 14.1 [4.1] 3.6	23.4 [6.9] 20.4 [6.0] 3.7	23.0 [6.7] 19.5 [5.7] 3.7	22.3 [6.5] 18.1 [5.3] 3.6	21.6 [6.3] 21.6 [6.3] 3.7	21.2 [6.2] 21.2 [6.2] 3.7	20.6 [6.0] 20.6 [6.0] 3.6	

DR —Depression ratio
dbE —Entering air dry bulb
wbE—Entering air wet bulb

Total —Total capacity x 1000 Btu/h
Sens —Sensible capacity x 1000 Btu/h
Power—kW input

NOTES:

① When the entering air dry bulb is other than 80°F [27°C], adjust the sensible capacity from the table by adding $[1.10 \times \text{CFM} \times (1 - \text{DR}) \times (\text{dbE} - 80)]$.

HEATING PERFORMANCE DATA—RHPAYB030

IDB		60°F [15.6°C]			70°F [21.1°C]			80°F [26.7°C]			
		CFM [L/s]	1125 [531]	1025 [484]	875 [413]	1125 [531]	1025 [484]	875 [413]	1125 [531]	1025 [484]	875 [413]
OUTDOOR DRY BULB TEMPERATURE °F [°C]	0 [-17.8]	Total kBtu/h [kW] Power	9.1 [2.7] 2.0	9.0 [2.6] 2.0	8.9 [2.6] 2.0	8.3 [2.4] 2.2	8.2 [2.4] 2.2	8.1 [2.4] 2.3	7.5 [2.2] 2.4	7.4 [2.2] 2.4	7.3 [2.1] 2.5
	5 [-15]	Total kBtu/h [kW] Power	11.0 [3.2] 1.9	11.0 [3.2] 2.0	10.9 [3.2] 2.0	10.2 [3.0] 2.1	10.2 [3.0] 2.2	10.1 [3.0] 2.2	9.4 [2.8] 2.4	9.4 [2.8] 2.4	9.3 [2.7] 2.4
	10 [-12.2]	Total kBtu/h [kW] Power	13.0 [3.8] 1.9	12.9 [3.8] 1.9	12.8 [3.8] 2.0	12.2 [3.6] 2.1	12.1 [3.5] 2.1	12 [3.5] 2.2	11.4 [3.3] 2.3	11.3 [3.3] 2.4	11.2 [3.3] 2.4
	15 [-9.4]	Total kBtu/h [kW] Power	15.0 [4.4] 1.9	14.9 [4.4] 1.9	14.7 [4.3] 2.0	14.1 [4.1] 2.1	14.0 [4.1] 2.1	13.9 [4.1] 2.2	13.3 [3.9] 2.3	13.2 [3.9] 2.3	13.1 [3.8] 2.4
	20 [-6.7]	Total kBtu/h [kW] Power	16.9 [5.0] 1.9	16.8 [4.9] 1.9	16.6 [4.9] 1.9	16.1 [4.7] 2.1	16.0 [4.7] 2.1	15.8 [4.6] 2.2	15.3 [4.5] 2.3	15.2 [4.5] 2.3	15.0 [4.4] 2.4
	25 [-3.9]	Total kBtu/h [kW] Power	18.9 [5.5] 1.9	18.7 [5.5] 1.9	18.5 [5.4] 1.9	18.1 [5.3] 2.1	17.9 [5.2] 2.1	17.7 [5.2] 2.2	17.2 [5.0] 2.3	17.1 [5.0] 2.3	16.9 [5.0] 2.4
	30 [-1.1]	Total kBtu/h [kW] Power	20.8 [6.1] 1.9	20.7 [6.1] 1.9	20.5 [6.0] 2.0	20.0 [5.9] 2.1	19.9 [5.8] 2.1	19.7 [5.8] 2.2	19.2 [5.6] 2.3	19.1 [5.6] 2.4	18.9 [5.5] 2.4
	35 [1.7]	Total kBtu/h [kW] Power	22.8 [6.7] 1.9	22.6 [6.6] 2.0	22.4 [6.6] 2.0	22.0 [6.4] 2.1	21.8 [6.4] 2.2	21.6 [6.3] 2.2	21.2 [6.2] 2.3	21.0 [6.2] 2.4	20.8 [6.1] 2.4
	40 [4.4]	Total kBtu/h [kW] Power	24.7 [7.2] 2.0	24.6 [7.2] 2.0	24.3 [7.1] 2.0	23.9 [7.0] 2.2	23.8 [7.0] 2.2	23.5 [6.9] 2.2	23.1 [6.8] 2.4	23.0 [6.7] 2.4	22.7 [6.7] 2.5
	45 [7.2]	Total kBtu/h [kW] Power	26.7 [7.8] 2.0	26.5 [7.8] 2.0	26.2 [7.7] 2.1	25.9 [7.6] 2.2	25.7 [7.5] 2.3	25.4 [7.4] 2.3	25.1 [7.4] 2.4	24.9 [7.3] 2.5	24.6 [7.2] 2.5
50 [10]	Total kBtu/h [kW] Power	28.6 [8.4] 2.1	28.4 [8.3] 2.1	28.1 [8.2] 2.1	27.8 [8.1] 2.3	27.6 [8.1] 2.3	27.4 [8.0] 2.4	27.0 [7.9] 2.5	26.8 [7.9] 2.5	26.6 [7.8] 2.6	

IDB—Indoor air dry bulb

[] Designates Metric Conversions

COOLING PERFORMANCE DATA—RHPXYB036

		ENTERING INDOOR AIR @ 80°F [26.7°C] dbE ①									
		wbE	71°F [21.7°C]			67°F [19.4°C]			63°F [17.2°C]		
		CFM [L/s]	1350 [637]	1250 [590]	1050 [496]	1350 [637]	1250 [590]	1050 [496]	1350 [637]	1250 [590]	1050 [496]
DR ①		.05	.09	.12	.05	.09	.12	.05	.09	.12	
O U T D O O R D R Y B U L B T E M P E R A T U R E ° F [° C]	75 [23.9]	Total kBtu/h [kW] Sens kBtu/h [kW] Power	46.0 [13.5] 29.2 [8.6] 2.4	45.4 [13.3] 28.1 [8.2] 2.3	44.0 [12.9] 26.0 [7.6] 2.3	42.2 [12.4] 31.0 [9.1] 2.4	41.5 [12.2] 29.9 [8.8] 2.3	40.3 [11.8] 27.7 [8.1] 2.3	39.3 [11.5] 33.9 [9.9] 2.4	38.7 [11.3] 32.7 [9.6] 2.4	37.6 [11.0] 30.2 [8.9] 2.3
	80 [26.7]	Total kBtu/h [kW] Sens kBtu/h [kW] Power	44.9 [13.2] 28.5 [8.4] 2.5	44.2 [13.0] 27.5 [8.1] 2.5	43.0 [12.6] 25.4 [7.4] 2.4	41.0 [12.0] 30.3 [8.9] 2.5	40.4 [11.8] 29.2 [8.6] 2.5	39.2 [11.5] 27.1 [7.9] 2.5	38.1 [11.2] 33.2 [9.7] 2.5	37.6 [11.0] 32.0 [9.4] 2.5	36.5 [10.7] 29.6 [8.7] 2.5
	85 [29.4]	Total kBtu/h [kW] Sens kBtu/h [kW] Power	43.7 [12.8] 27.8 [8.1] 2.6	43.1 [12.6] 26.8 [7.9] 2.6	41.8 [12.3] 24.8 [7.3] 2.6	39.8 [11.7] 29.6 [8.7] 2.6	39.2 [11.5] 28.5 [8.4] 2.6	38.1 [11.2] 26.4 [7.7] 2.6	36.9 [10.8] 32.5 [9.5] 2.7	36.4 [10.7] 31.3 [9.2] 2.6	35.4 [10.4] 29.0 [8.5] 2.6
	90 [32.2]	Total kBtu/h [kW] Sens kBtu/h [kW] Power	42.4 [12.4] 27.0 [7.9] 2.8	41.8 [12.3] 26.0 [7.6] 2.8	40.6 [11.9] 24.0 [7.0] 2.7	38.5 [11.3] 28.8 [8.4] 2.8	38.0 [11.1] 27.8 [8.1] 2.8	36.9 [10.8] 25.7 [7.5] 2.7	35.7 [10.5] 31.7 [9.3] 2.8	35.2 [10.3] 30.5 [8.9] 2.8	34.1 [10.0] 28.3 [8.3] 2.7
	95 [35]	Total kBtu/h [kW] Sens kBtu/h [kW] Power	41.1 [12.0] 26.1 [7.6] 2.9	40.5 [11.9] 25.2 [7.4] 2.9	39.3 [11.5] 23.3 [6.8] 2.9	37.2 [10.9] 27.9 [8.2] 2.9	36.7 [10.8] 26.9 [7.9] 2.9	35.6 [10.4] 24.9 [7.3] 2.9	34.4 [10.1] 30.8 [9.0] 3.0	33.9 [9.9] 29.7 [8.7] 2.9	32.9 [9.6] 27.5 [8.1] 2.9
	100 [37.8]	Total kBtu/h [kW] Sens kBtu/h [kW] Power	39.7 [11.6] 25.2 [7.4] 3.1	39.2 [11.5] 24.3 [7.1] 3.1	38.0 [11.1] 22.5 [6.6] 3.0	35.8 [10.5] 27.0 [7.9] 3.1	35.3 [10.3] 26.1 [7.6] 3.1	34.3 [10.1] 24.1 [7.1] 3.0	33.0 [9.7] 29.9 [8.8] 3.1	32.5 [9.5] 28.8 [8.4] 3.1	31.6 [9.3] 26.7 [7.8] 3.0
	105 [40.6]	Total kBtu/h [kW] Sens kBtu/h [kW] Power	38.3 [11.2] 24.2 [7.1] 3.3	37.7 [11.0] 23.3 [6.8] 3.2	36.6 [10.7] 21.6 [6.3] 3.2	34.4 [10.1] 26.0 [7.6] 3.3	33.9 [9.9] 25.1 [7.4] 3.2	32.9 [9.6] 23.2 [6.8] 3.2	31.5 [9.2] 28.9 [8.5] 3.3	31.1 [9.1] 27.9 [8.2] 3.3	30.2 [8.9] 25.8 [7.6] 3.2
	110 [43.3]	Total kBtu/h [kW] Sens kBtu/h [kW] Power	36.8 [10.8] 23.2 [6.8] 3.4	36.3 [10.6] 22.3 [6.5] 3.4	35.2 [10.3] 20.7 [6.1] 3.4	32.9 [9.6] 25.0 [7.3] 3.4	32.4 [9.5] 24.1 [7.1] 3.4	31.5 [9.2] 22.3 [6.5] 3.4	30.1 [8.8] 27.9 [8.2] 3.4	29.6 [8.7] 26.9 [7.9] 3.4	28.8 [8.4] 24.9 [7.3] 3.4
	115 [46.1]	Total kBtu/h [kW] Sens kBtu/h [kW] Power	35.2 [10.3] 22.1 [6.5] 3.6	34.7 [10.2] 21.3 [6.2] 3.6	33.7 [9.9] 19.7 [5.8] 3.5	31.4 [9.2] 23.9 [7.0] 3.6	30.9 [9.1] 23.1 [6.8] 3.6	30.0 [8.8] 21.3 [6.2] 3.5	28.5 [8.4] 26.8 [7.9] 3.6	28.1 [8.2] 25.8 [7.6] 3.6	27.3 [8.0] 23.9 [7.0] 3.5
	120 [48.9]	Total kBtu/h [kW] Sens kBtu/h [kW] Power	33.6 [9.8] 20.9 [6.1] 3.8	33.2 [9.7] 20.2 [5.9] 3.8	32.2 [9.4] 18.7 [5.5] 3.7	29.8 [8.7] 22.8 [6.7] 3.8	29.3 [8.6] 21.9 [6.4] 3.8	28.5 [8.4] 20.3 [5.9] 3.7	26.9 [7.9] 25.6 [7.5] 3.8	26.5 [7.8] 24.7 [7.2] 3.8	25.7 [7.5] 22.9 [6.7] 3.7
125 [51.7]	Total kBtu/h [kW] Sens kBtu/h [kW] Power	32.0 [9.4] 19.7 [5.8] 4.0	31.5 [9.2] 19.0 [5.6] 3.9	30.6 [9.0] 17.6 [5.2] 3.9	28.1 [8.2] 21.5 [6.3] 4.0	27.7 [8.1] 20.8 [6.1] 3.9	26.9 [7.9] 19.2 [5.6] 3.9	25.2 [7.4] 24.4 [7.2] 4.0	24.9 [7.3] 23.5 [6.9] 4.0	24.1 [7.1] 21.8 [6.4] 3.9	

DR —Depression ratio
dbE —Entering air dry bulb
wbE—Entering air wet bulb

Total —Total capacity x 1000 Btu/h
Sens —Sensible capacity x 1000 Btu/h
Power—kW input

NOTES:

① When the entering air dry bulb is other than 80°F [27°C], adjust the sensible capacity from the table by adding $[1.10 \times \text{CFM} \times (1 - \text{DR}) \times (\text{dbE} - 80)]$.

HEATING PERFORMANCE DATA—RHPXYB036

IDB		60°F [15.6°C]			70°F [21.1°C]			80°F [26.7°C]			
CFM [L/s]		1350 [637]	1250 [590]	1050 [496]	1350 [637]	1250 [590]	1050 [496]	1350 [637]	1250 [590]	1050 [496]	
OUTDOOR DRY BULB TEMPERATURE	0 [-17.8]	Total kBtu/h [kW] Power	10.9 [3.2] 2.4	10.8 [3.2] 2.4	10.7 [3.1] 2.4	10.0 [2.9] 2.6	9.9 [2.9] 2.6	9.8 [2.9] 2.6	9.1 [2.7] 2.9	9.1 [2.7] 2.9	9.0 [2.6] 3.0
	5 [-15]	Total kBtu/h [kW] Power	13.4 [3.9] 2.4	13.4 [3.9] 2.4	13.2 [3.9] 2.4	12.6 [3.7] 2.6	12.5 [3.7] 2.6	12.4 [3.6] 2.7	11.7 [3.4] 2.9	11.7 [3.4] 2.9	11.5 [3.4] 3.0
	10 [-12.2]	Total kBtu/h [kW] Power	16.0 [4.7] 2.4	15.9 [4.7] 2.4	15.7 [4.6] 2.5	15.2 [4.5] 2.6	15.1 [4.4] 2.6	14.9 [4.4] 2.7	14.3 [4.2] 2.9	14.2 [4.2] 2.9	14.1 [4.1] 3.0
	15 [-9.4]	Total kBtu/h [kW] Power	18.6 [5.5] 2.4	18.5 [5.4] 2.4	18.3 [5.4] 2.5	17.7 [5.2] 2.6	17.6 [5.2] 2.6	17.4 [5.1] 2.7	16.9 [5.0] 2.9	16.8 [4.9] 2.9	16.6 [4.9] 3.0
	20 [-6.7]	Total kBtu/h [kW] Power	21.2 [6.2] 2.4	21.0 [6.2] 2.4	20.8 [6.1] 2.5	20.3 [5.9] 2.6	20.2 [5.9] 2.7	20.0 [5.9] 2.7	19.5 [5.7] 2.9	19.3 [5.7] 3.0	19.1 [5.6] 3.0
	25 [-3.9]	Total kBtu/h [kW] Power	23.7 [6.9] 2.4	23.6 [6.9] 2.5	23.3 [6.8] 2.5	22.9 [6.7] 2.6	22.8 [6.7] 2.7	22.5 [6.6] 2.7	22 [6.4] 3.0	21.9 [6.4] 3.0	21.7 [6.4] 3.0
	30 [-1.1]	Total kBtu/h [kW] Power	26.3 [7.7] 2.5	26.2 [7.7] 2.5	25.9 [7.6] 2.5	25.5 [7.5] 2.7	25.3 [7.4] 2.7	25.0 [7.3] 2.7	24.6 [7.2] 3.0	24.5 [7.2] 3.0	24.2 [7.1] 3.1
	35 [1.7]	Total kBtu/h [kW] Power	28.9 [8.5] 2.5	28.7 [8.4] 2.5	28.4 [8.3] 2.5	28.0 [8.2] 2.7	27.9 [8.2] 2.7	27.6 [8.1] 2.8	27.2 [8.0] 3.0	27 [7.9] 3.0	26.7 [7.8] 3.1
	40 [4.4]	Total kBtu/h [kW] Power	31.5 [9.2] 2.5	31.3 [9.2] 2.5	30.9 [9.1] 2.6	30.6 [9.0] 2.7	30.5 [8.9] 2.7	30.1 [8.8] 2.8	29.8 [8.7] 3.0	29.6 [8.7] 3.0	29.3 [8.6] 3.1
	45 [7.2]	Total kBtu/h [kW] Power	34.1 [10.0] 2.5	33.9 [9.9] 2.5	33.5 [9.8] 2.6	33.2 [9.7] 2.7	33.0 [9.7] 2.7	32.6 [9.6] 2.8	32.3 [9.5] 3.0	32.2 [9.4] 3.1	31.8 [9.3] 3.1
50 [10]	Total kBtu/h [kW] Power	36.6 [10.7] 2.5	36.4 [10.7] 2.5	36.0 [10.6] 2.6	35.8 [10.5] 2.7	35.6 [10.4] 2.8	35.2 [10.3] 2.8	34.9 [10.2] 3.0	34.7 [10.2] 3.1	34.3 [10.1] 3.1	

IDB—Indoor air dry bulb

[] Designates Metric Conversions

COOLING PERFORMANCE DATA—RHPXYB042

wbE		ENTERING INDOOR AIR @ 80°F [26.7°C] dbE ①									
		71°F [21.7°C]			67°F [19.4°C]			63°F [17.2°C]			
CFM [L/s]		1575 [743]	1475 [696]	1225 [578]	1575 [743]	1475 [696]	1225 [578]	1575 [743]	1475 [696]	1225 [578]	
DR ①		.05	.09	.12	.05	.09	.12	.05	.09	.12	
O U T D O O R D R Y B U L B T E M P E R A T U R E °F [°C]	75 [23.9]	Total kBtu/h [kW] Sens kBtu/h [kW] Power	52.6 [15.4] 31.3 [9.2] 2.9	52.0 [15.2] 30.4 [8.9] 2.9	50.4 [14.8] 28.0 [8.2] 2.8	49.4 [14.5] 35.1 [10.3] 2.9	48.8 [14.3] 34.0 [10.0] 2.9	47.3 [13.9] 31.3 [9.2] 2.9	45.7 [13.4] 38.2 [11.2] 2.9	45.1 [13.2] 37.0 [10.8] 2.9	43.8 [12.8] 34.1 [10.0] 2.9
	80 [26.7]	Total kBtu/h [kW] Sens kBtu/h [kW] Power	51.6 [15.1] 31.1 [9.1] 3.1	50.9 [14.9] 30.2 [8.9] 3.0	49.4 [14.5] 27.8 [8.1] 3.0	48.4 [14.2] 34.8 [10.2] 3.1	47.8 [14.0] 33.7 [9.9] 3.1	46.3 [13.6] 31.1 [9.1] 3.0	44.6 [13.1] 38.0 [11.1] 3.1	44.1 [12.9] 36.8 [10.8] 3.1	42.7 [12.5] 33.9 [9.9] 3.0
	85 [29.4]	Total kBtu/h [kW] Sens kBtu/h [kW] Power	50.4 [14.8] 30.8 [9.0] 3.2	49.8 [14.6] 29.8 [8.7] 3.2	48.3 [14.2] 27.5 [8.1] 3.2	47.2 [13.8] 34.5 [10.1] 3.2	46.6 [13.7] 33.4 [9.8] 3.2	45.2 [13.2] 30.8 [9.0] 3.2	43.5 [12.7] 37.6 [11.0] 3.3	43.0 [12.6] 36.5 [10.7] 3.2	41.6 [12.2] 33.6 [9.8] 3.2
	90 [32.2]	Total kBtu/h [kW] Sens kBtu/h [kW] Power	49.2 [14.4] 30.3 [8.9] 3.4	48.6 [14.2] 29.4 [8.6] 3.4	47.1 [13.8] 27.1 [7.9] 3.3	46.0 [13.5] 34.1 [10.0] 3.4	45.4 [13.3] 33.0 [9.7] 3.4	4.04 [12.9] 30.4 [8.9] 3.3	42.2 [12.4] 37.2 [10.9] 3.4	41.7 [12.2] 36.1 [10.6] 3.4	40.4 [11.8] 33.2 [9.7] 3.4
	95 [35]	Total kBtu/h [kW] Sens kBtu/h [kW] Power	47.8 [14.0] 29.8 [8.7] 3.6	47.2 [13.8] 28.9 [8.5] 3.5	45.8 [13.4] 26.6 [7.8] 3.5	44.6 [13.1] 33.5 [9.8] 3.6	44.1 [12.9] 32.5 [9.5] 3.6	42.7 [12.5] 29.9 [8.8] 3.5	40.9 [12.0] 36.7 [10.8] 3.6	40.4 [11.8] 35.6 [10.4] 3.6	39.1 [11.5] 32.8 [9.6] 3.5
	100 [37.8]	Total kBtu/h [kW] Sens kBtu/h [kW] Power	46.4 [13.6] 29.2 [8.6] 3.7	45.8 [13.4] 28.3 [8.3] 3.7	44.4 [13.0] 26.1 [7.6] 3.7	43.2 [12.7] 32.9 [9.6] 3.8	42.7 [12.5] 31.9 [9.3] 3.7	41.3 [12.1] 29.4 [8.6] 3.7	39.5 [11.6] 36.1 [10.6] 3.8	39.0 [11.4] 35.0 [10.3] 3.8	37.8 [11.1] 32.2 [9.4] 3.7
	105 [40.6]	Total kBtu/h [kW] Sens kBtu/h [kW] Power	44.9 [13.2] 28.5 [8.4] 3.9	44.3 [13.0] 27.6 [8.1] 3.9	42.9 [12.6] 25.4 [7.4] 3.8	41.7 [12.2] 32.2 [9.4] 3.9	41.1 [12.0] 31.2 [9.1] 3.9	39.9 [11.7] 28.7 [8.4] 3.9	37.9 [11.1] 35.4 [10.4] 4.0	37.5 [11.0] 34.3 [10.1] 3.9	36.3 [10.6] 31.6 [9.3] 3.9
	110 [43.3]	Total kBtu/h [kW] Sens kBtu/h [kW] Power	43.2 [12.7] 27.7 [8.1] 4.1	42.7 [12.5] 26.8 [7.9] 4.1	41.4 [12.1] 24.7 [7.2] 4.0	40.0 [11.7] 31.4 [9.2] 4.1	39.5 [11.6] 30.4 [8.9] 4.1	38.3 [11.2] 28.0 [8.2] 4.0	36.3 [10.6] 34.5 [10.1] 4.1	35.9 [10.5] 33.5 [9.8] 4.1	34.7 [10.2] 30.8 [9.0] 4.1
	115 [46.1]	Total kBtu/h [kW] Sens kBtu/h [kW] Power	41.5 [12.2] 26.8 [7.9] 4.3	41.0 [12.0] 25.9 [7.6] 4.3	39.7 [11.6] 23.9 [7.0] 4.2	38.3 [11.2] 30.5 [8.9] 4.3	37.8 [11.1] 29.5 [8.6] 4.3	36.7 [10.8] 27.2 [8.0] 4.2	34.6 [10.1] 33.6 [9.8] 4.3	34.2 [10.0] 32.6 [9.6] 4.3	33.1 [9.7] 30.0 [8.8] 4.2
	120 [48.9]	Total kBtu/h [kW] Sens kBtu/h [kW] Power	39.7 [11.6] 25.8 [7.6] 4.5	39.2 [11.5] 25.0 [7.3] 4.5	38.0 [11.1] 23.0 [6.7] 4.4	36.5 [10.7] 29.5 [8.6] 4.5	36.1 [10.6] 28.6 [8.4] 4.5	34.9 [10.2] 26.3 [7.7] 4.4	32.8 [9.6] 32.6 [9.6] 4.5	32.4 [9.5] 31.6 [9.3] 4.5	31.4 [9.2] 29.1 [8.5] 4.4
125 [51.7]	Total kBtu/h [kW] Sens kBtu/h [kW] Power	37.8 [11.1] 24.7 [7.2] 4.7	37.3 [10.9] 23.9 [7.0] 4.7	36.2 [10.6] 22.0 [6.4] 4.6	34.6 [10.1] 28.4 [8.3] 4.7	34.2 [10.0] 27.5 [8.1] 4.7	33.1 [9.7] 25.3 [7.4] 4.6	30.9 [9.1] 30.9 [9.1] 4.7	30.5 [8.9] 30.5 [8.9] 4.7	29.5 [8.6] 28.2 [8.3] 4.6	

DR —Depression ratio
dbE —Entering air dry bulb
wbE—Entering air wet bulb

Total —Total capacity x 1000 Btu/h
Sens —Sensible capacity x 1000 Btu/h
Power—kW input

NOTES:

① When the entering air dry bulb is other than 80°F [27°C], adjust the sensible capacity from the table by adding $[1.10 \times \text{CFM} \times (1 - \text{DR}) \times (\text{dbE} - 80)]$.

HEATING PERFORMANCE DATA—RHPXYB042

IDB		60°F [15.6°C]			70°F [21.1°C]			80°F [26.7°C]			
CFM [L/s]		1575 [743]	1475 [696]	1225 [578]	1575 [743]	1475 [696]	1225 [578]	1575 [743]	1475 [696]	1225 [578]	
OUTDOOR DRY BULB TEMPERATURE °F [°C]	0 [-17.8]	Total kBtu/h [kW] Power	14.4 [4.2] 2.8	14.3 [4.2] 2.8	14.1 [4.1] 2.9	13.4 [3.9] 3.1	13.3 [3.9] 3.1	13.2 [3.9] 3.2	12.4 [3.6] 3.4	12.4 [3.6] 3.4	12.2 [3.6] 3.5
	5 [-15]	Total kBtu/h [kW] Power	17.2 [5.0] 2.7	17.1 [5.0] 2.8	16.9 [5.0] 2.8	16.2 [4.7] 3.0	16.1 [4.7] 3.1	15.9 [4.7] 3.1	15.2 [4.5] 3.4	15.2 [4.5] 3.4	15.0 [4.4] 3.5
	10 [-12.2]	Total kBtu/h [kW] Power	20.0 [5.9] 2.7	19.9 [5.8] 2.7	19.6 [5.7] 2.8	19.0 [5.6] 3.0	18.9 [5.5] 3.0	18.7 [5.5] 3.1	18.0 [5.3] 3.3	17.9 [5.2] 3.3	17.7 [5.2] 3.4
	15 [-9.4]	Total kBtu/h [kW] Power	22.7 [6.7] 2.7	22.6 [6.6] 2.7	22.4 [6.6] 2.7	21.8 [6.4] 3.0	21.7 [6.4] 3.0	21.4 [6.3] 3.1	20.8 [6.1] 3.3	20.7 [6.1] 3.3	20.5 [6.0] 3.4
	20 [-6.7]	Total kBtu/h [kW] Power	25.5 [7.5] 2.7	25.4 [7.4] 2.7	25.1 [7.4] 2.7	24.6 [7.2] 3.0	24.4 [7.2] 3.0	24.1 [7.1] 3.1	23.6 [6.9] 3.3	23.5 [6.9] 3.3	23.2 [6.8] 3.4
	25 [-3.9]	Total kBtu/h [kW] Power	28.3 [8.3] 2.7	28.2 [8.3] 2.7	27.8 [8.1] 2.8	27.4 [8.0] 3.0	27.2 [8.0] 3.0	26.9 [7.9] 3.1	26.4 [7.7] 3.3	26.3 [7.7] 3.3	25.9 [7.6] 3.4
	30 [-1.1]	Total kBtu/h [kW] Power	31.1 [9.1] 2.7	31.0 [9.1] 2.7	30.6 [9.0] 2.8	30.1 [8.8] 3.0	30.0 [8.8] 3.0	29.6 [8.7] 3.1	29.2 [8.6] 3.3	29.0 [8.5] 3.4	28.7 [8.4] 3.4
	35 [1.7]	Total kBtu/h [kW] Power	33.9 [9.9] 2.8	33.7 [9.9] 2.8	33.3 [9.8] 2.8	32.9 [9.6] 3.1	32.8 [9.6] 3.1	32.4 [9.5] 3.2	32.0 [9.4] 3.4	31.8 [9.3] 3.4	31.4 [9.2] 3.5
	40 [4.4]	Total kBtu/h [kW] Power	36.7 [10.8] 2.8	36.5 [10.7] 2.9	36.1 [10.6] 2.9	35.7 [10.5] 3.1	35.5 [10.4] 3.2	35.1 [10.3] 3.2	34.7 [10.2] 3.5	34.6 [10.1] 3.5	34.2 [10.0] 3.6
	45 [7.2]	Total kBtu/h [kW] Power	39.5 [11.6] 2.9	39.3 [11.5] 2.9	38.8 [11.4] 3.0	38.5 [11.3] 3.2	38.3 [11.2] 3.3	37.9 [11.1] 3.3	37.5 [11.0] 3.5	37.4 [11.0] 3.6	36.9 [10.8] 3.7
50 [10]	Total kBtu/h [kW] Power	42.3 [12.4] 3.0	42.1 [12.3] 3.0	41.5 [12.2] 3.1	41.3 [12.1] 3.3	41.1 [12.0] 3.4	40.6 [11.9] 3.4	40.3 [11.8] 3.7	40.1 [11.8] 3.7	39.6 [11.6] 3.8	

IDB—Indoor air dry bulb

[] Designates Metric Conversions

COOLING PERFORMANCE DATA—RHPXYB048

OUTDOOR DRY BULB TEMPERATURE °F [°C]		ENTERING INDOOR AIR @ 80°F [26.7°C] dbE ①										
		wbE	71°F [21.7°C]			67°F [19.4°C]			63°F [17.2°C]			
		CFM [L/s]	1800 [850]	1650 [779]	1400 [661]	1800 [850]	1650 [779]	1400 [661]	1800 [850]	1650 [779]	1400 [661]	
DR ①		.05	.09	.12	.05	.09	.12	.05	.09	.12		
75 [23.9]	Total kBtu/h [kW]	60.6 [17.8]	59.6 [17.5]	58.0 [17.0]	55.8 [16.4]	54.9 [16.1]	53.3 [15.6]	52.3 [15.3]	51.5 [15.1]	50.1 [14.7]		
	Sens kBtu/h [kW]	35.0 [10.3]	33.6 [9.8]	31.2 [9.1]	41.0 [12.0]	39.3 [11.5]	36.6 [10.7]	48.4 [14.2]	46.4 [13.6]	43.2 [12.7]		
	Power	3.3	3.3	3.2	3.3	3.3	3.2	3.3	3.3	3.2		
	80 [26.7]	Total kBtu/h [kW]	59.0 [17.3]	58.1 [17.0]	56.5 [16.6]	54.2 [15.9]	53.3 [15.6]	51.9 [15.2]	50.8 [14.9]	49.9 [14.6]	48.6 [14.2]	
		Sens kBtu/h [kW]	34.3 [10.1]	32.9 [9.6]	30.6 [9.0]	40.3 [11.8]	38.6 [11.3]	35.9 [10.5]	47.7 [14.0]	45.8 [13.4]	42.5 [12.5]	
		Power	3.5	3.4	3.4	3.5	3.5	3.4	3.5	3.5	3.4	
		85 [29.4]	Total kBtu/h [kW]	57.5 [16.9]	56.6 [16.6]	55.0 [16.1]	52.7 [15.4]	51.8 [15.2]	50.4 [14.8]	49.3 [14.4]	48.5 [14.2]	47.1 [13.8]
			Sens kBtu/h [kW]	33.6 [9.8]	32.2 [9.4]	30.0 [8.8]	39.6 [11.6]	38.0 [11.1]	35.3 [10.3]	40.7 [13.8]	45.1 [13.2]	41.9 [12.3]
			Power	3.7	3.7	3.6	3.7	3.7	3.6	3.7	3.7	3.6
			90 [32.2]	Total kBtu/h [kW]	56.1 [16.4]	55.1 [16.1]	53.6 [15.7]	51.2 [15.0]	50.4 [14.8]	49.0 [14.4]	47.8 [14.0]	47.0 [13.8]
Sens kBtu/h [kW]				33.0 [9.7]	31.6 [9.3]	29.4 [8.6]	39.0 [11.4]	37.4 [11.0]	34.8 [10.2]	46.4 [13.6]	44.5 [13.0]	41.4 [12.1]
Power				3.9	3.9	3.8	3.9	3.9	3.8	3.9	3.9	3.8
95 [35]				Total kBtu/h [kW]	54.7 [16.0]	53.8 [15.8]	52.3 [15.3]	49.8 [14.6]	49.0 [14.4]	47.7 [14.0]	46.4 [13.6]	45.6 [13.4]
	Sens kBtu/h [kW]			32.4 [9.5]	31.1 [9.1]	28.9 [8.5]	38.4 [11.3]	36.9 [10.8]	34.3 [10.1]	45.8 [13.4]	44.0 [12.9]	40.9 [12.0]
	Power			4.1	4.1	4.0	4.1	4.1	4.0	4.1	4.1	4.0
	100 [37.8]			Total kBtu/h [kW]	53.3 [15.6]	52.4 [15.4]	51.0 [14.9]	48.5 [14.2]	47.7 [14.0]	46.4 [13.6]	45.1 [13.2]	44.3 [13.0]
		Sens kBtu/h [kW]		31.9 [9.3]	30.6 [9.0]	28.4 [8.3]	37.9 [11.1]	36.4 [10.7]	33.8 [9.9]	45.1 [13.2]	43.5 [12.7]	40.4 [11.8]
		Power		4.3	4.3	4.2	4.3	4.3	4.2	4.3	4.3	4.2
		105 [40.6]		Total kBtu/h [kW]	52.0 [15.2]	51.2 [15.0]	49.8 [14.6]	47.2 [13.8]	46.4 [13.6]	45.2 [13.2]	43.8 [12.8]	43.1 [12.6]
			Sens kBtu/h [kW]	31.5 [9.2]	30.2 [8.9]	28.0 [8.2]	37.5 [11.0]	35.9 [10.5]	33.4 [9.8]	43.8 [12.8]	43.0 [12.6]	40.0 [11.7]
			Power	4.5	4.5	4.4	4.5	4.5	4.4	4.5	4.5	4.4
			110 [43.3]	Total kBtu/h [kW]	50.8 [14.9]	50.0 [14.7]	48.6 [14.2]	46.0 [13.5]	45.2 [13.2]	44.0 [12.9]	42.5 [12.5]	41.8 [12.3]
Sens kBtu/h [kW]				31.1 [9.1]	29.8 [8.7]	27.7 [8.1]	37.1 [10.9]	35.6 [10.4]	33.0 [9.7]	42.5 [12.5]	41.8 [12.3]	39.6 [11.6]
Power				4.8	4.7	4.7	4.8	4.7	4.7	4.8	4.7	4.7
115 [46.1]				Total kBtu/h [kW]	49.6 [14.5]	48.8 [14.3]	47.4 [13.9]	44.8 [13.1]	44.0 [12.9]	42.8 [12.5]	41.3 [12.1]	40.7 [11.9]
	Sens kBtu/h [kW]			30.7 [9.0]	29.5 [8.6]	27.4 [8.0]	36.7 [10.8]	35.2 [10.3]	32.7 [9.6]	41.3 [12.1]	40.7 [11.9]	39.3 [11.5]
	Power			5.0	4.9	4.9	5.0	4.9	4.9	5.0	5.0	4.9
	120 [48.9]			Total kBtu/h [kW]	48.5 [14.2]	47.7 [14.0]	46.4 [13.6]	43.6 [12.8]	42.9 [12.6]	41.8 [12.3]	40.2 [11.8]	39.5 [11.6]
		Sens kBtu/h [kW]		30.4 [8.9]	29.2 [8.6]	27.1 [7.9]	36.4 [10.7]	34.9 [10.2]	32.5 [9.5]	40.2 [11.8]	39.5 [11.6]	38.5 [11.3]
		Power		5.2	5.2	5.1	5.2	5.2	5.1	5.2	5.2	5.1
		125 [51.7]		Total kBtu/h [kW]	47.4 [13.9]	46.6 [13.7]	45.3 [13.3]	42.6 [12.5]	41.9 [12.3]	40.7 [11.9]	39.1 [11.5]	38.5 [11.3]
			Sens kBtu/h [kW]	30.2 [8.9]	29.0 [8.5]	26.9 [7.9]	36.2 [10.6]	34.7 [10.2]	32.3 [9.5]	39.1 [11.5]	38.5 [11.3]	37.4 [11.0]
			Power	5.4	5.4	5.3	5.5	5.4	5.3	5.5	5.4	5.3

DR —Depression ratio
dbE —Entering air dry bulb
wbE—Entering air wet bulb

Total —Total capacity x 1000 Btu/h
Sens —Sensible capacity x 1000 Btu/h
Power—kW input

NOTES:

① When the entering air dry bulb is other than 80°F [27°C], adjust the sensible capacity from the table by adding $[1.10 \times \text{CFM} \times (1 - \text{DR}) \times (\text{dbE} - 80)]$.

HEATING PERFORMANCE DATA—RHPXYB048

IDB		60°F [15.6°C]			70°F [21.1°C]			80°F [26.7°C]			
CFM [L/s]		1800 [850]	1650 [779]	1400 [661]	1800 [850]	1650 [779]	1400 [661]	1800 [850]	1650 [779]	1400 [661]	
O U T D O O R D R Y B U L B T E M P E R A T U R E ° F [° C]	0 [-17.8]	Total kBtu/h [kW] Power	15.0 [4.4] 3.3	14.9 [4.4] 3.4	14.7 [4.3] 3.4	14.1 [4.1] 3.7	14.0 [4.1] 3.7	13.8 [4.0] 3.8	13.2 [3.9] 4.0	13.1 [3.8] 4.0	13.0 [3.8] 4.1
	5 [-15]	Total kBtu/h [kW] Power	18.5 [5.4] 3.2	18.4 [5.4] 3.3	18.2 [5.3] 3.3	17.6 [5.2] 3.6	17.5 [5.1] 3.6	17.3 [5.1] 3.7	16.7 [4.9] 3.9	16.6 [4.9] 3.9	16.4 [4.8] 4.0
	10 [-12.2]	Total kBtu/h [kW] Power	22.0 [6.4] 3.1	21.9 [6.4] 3.2	21.6 [6.3] 3.2	21.1 [6.2] 3.5	21.0 [6.2] 3.5	20.8 [6.1] 3.6	20.2 [5.9] 3.8	20.1 [5.9] 3.9	19.9 [5.8] 3.9
	15 [-9.4]	Total kBtu/h [kW] Power	25.5 [7.5] 3.1	25.4 [7.4] 3.1	25.1 [7.4] 3.2	24.6 [7.2] 3.4	24.5 [7.2] 3.5	24.2 [7.1] 3.5	23.7 [6.9] 3.8	23.6 [6.9] 3.8	23.3 [6.8] 3.9
	20 [-6.7]	Total kBtu/h [kW] Power	29.0 [8.5] 3.1	28.9 [8.5] 3.1	28.5 [8.4] 3.2	28.2 [8.3] 3.4	28.0 [8.2] 3.4	27.7 [8.1] 3.5	27.3 [8.0] 3.7	27.1 [7.9] 3.8	26.8 [7.9] 3.9
	25 [-3.9]	Total kBtu/h [kW] Power	32.6 [9.6] 3.1	32.4 [9.5] 3.1	32.0 [9.4] 3.1	31.7 [9.3] 3.4	31.5 [9.2] 3.4	31.1 [9.1] 3.5	30.8 [9.0] 3.7	30.6 [9.0] 3.8	30.3 [8.9] 3.9
	30 [-1.1]	Total kBtu/h [kW] Power	36.1 [10.6] 3.1	35.8 [10.5] 3.1	35.5 [10.4] 3.2	35.2 [10.3] 3.4	35.0 [10.3] 3.5	34.6 [10.1] 3.5	34.3 [10.1] 3.8	34.1 [10.0] 3.8	33.7 [9.9] 3.9
	35 [1.7]	Total kBtu/h [kW] Power	39.6 [11.6] 3.1	39.3 [11.5] 3.1	38.9 [11.4] 3.2	38.7 [11.3] 3.5	38.5 [11.3] 3.5	38.0 [11.1] 3.6	37.8 [11.1] 3.8	37.6 [11.0] 3.8	37.2 [10.9] 3.9
	40 [4.4]	Total kBtu/h [kW] Power	43.1 [12.6] 3.2	42.8 [12.5] 3.2	42.4 [12.4] 3.3	42.2 [12.4] 3.5	42.0 [12.3] 3.6	41.5 [12.2] 3.6	41.3 [12.1] 3.9	41.1 [12.0] 3.9	40.6 [11.9] 4.0
	45 [7.2]	Total kBtu/h [kW] Power	46.6 [13.7] 3.3	46.3 [13.6] 3.3	45.8 [13.4] 3.4	45.7 [13.4] 3.6	45.5 [13.3] 3.6	45.0 [13.2] 3.7	44.9 [13.2] 3.9	44.6 [13.1] 4	44.1 [12.9] 4.1
50 [10]	Total kBtu/h [kW] Power	50.2 [14.7] 3.4	49.8 [14.6] 3.4	49.3 [14.4] 3.5	49.3 [14.4] 3.7	49.0 [14.4] 3.8	48.4 [14.2] 3.8	48.4 [14.2] 4.1	48.1 [14.1] 4.1	47.5 [13.9] 4.2	

IDB—Indoor air dry bulb

[] Designates Metric Conversions

COOLING PERFORMANCE DATA—RHPXYB060

		ENTERING INDOOR AIR @ 80°F [26.7°C] dbE ①									
wbE		71°F [21.7°C]			67°F [19.4°C]			63°F [17.2°C]			
CFM [L/s]		2250 [1062]	1900 [897]	1750 [826]	2250 [1062]	1900 [897]	1750 [826]	2250 [1062]	1900 [897]	1750 [826]	
DR ①		.05	.09	.12	.05	.09	.12	.05	.09	.12	
OUTDOOR DRY BULB TEMPERATURE	75 [23.9]	Total kBtu/h [kW] Sens kBtu/h [kW] Power	73.0 [21.4] 42.9 [12.6] 4.5	70.7 [20.7] 39.5 [11.6] 4.4	69.6 [20.4] 38.1 [11.2] 4.4	68.6 [20.1] 50.6 [14.8] 4.4	66.3 [19.4] 46.6 [13.7] 4.3	65.4 [19.2] 44.9 [13.2] 4.3	64.7 [19.0] 57.9 [17.0] 4.3	62.6 [18.3] 53.3 [15.6] 4.3	61.7 [18.1] 51.4 [15.1] 4.2
	80 [26.7]	Total kBtu/h [kW] Sens kBtu/h [kW] Power	71.5 [21.0] 42.2 [12.4] 4.7	69.2 [20.3] 38.9 [11.4] 4.6	68.2 [20.0] 37.5 [11.0] 4.6	67.1 [19.7] 49.9 [14.6] 4.6	64.9 [19.0] 46.0 [13.5] 4.5	64.0 [18.8] 44.3 [13.0] 4.5	63.2 [18.5] 57.2 [16.8] 4.5	61.2 [17.9] 52.7 [15.4] 4.5	60.3 [17.7] 50.8 [14.9] 4.4
	85 [29.4]	Total kBtu/h [kW] Sens kBtu/h [kW] Power	69.8 [20.5] 41.4 [12.1] 4.9	67.5 [19.8] 38.2 [11.2] 4.8	66.6 [19.5] 36.7 [10.8] 4.8	65.3 [19.1] 49.1 [14.4] 4.8	63.2 [18.5] 45.2 [13.2] 4.7	62.3 [18.3] 43.6 [12.8] 4.7	61.5 [18.0] 56.4 [16.5] 4.7	59.5 [17.4] 52.0 [15.2] 4.6	58.6 [17.2] 50.1 [14.7] 4.6
	90 [32.2]	Total kBtu/h [kW] Sens kBtu/h [kW] Power	67.8 [19.9] 40.5 [11.9] 5.1	65.6 [19.2] 37.3 [10.9] 5.0	64.6 [18.9] 35.9 [10.5] 5.0	63.3 [18.6] 48.2 [14.1] 5.0	61.3 [18.0] 44.4 [13.0] 4.9	60.4 [17.7] 42.8 [12.5] 4.9	59.5 [17.4] 55.5 [16.3] 4.9	57.5 [16.9] 51.1 [15] 4.8	56.7 [16.6] 49.3 [14.4] 4.8
	95 [35]	Total kBtu/h [kW] Sens kBtu/h [kW] Power	65.5 [19.2] 39.5 [11.6] 5.3	63.4 [18.6] 36.4 [10.7] 5.2	62.5 [18.3] 35.0 [10.3] 5.2	61.0 [17.9] 47.2 [13.8] 5.2	59.1 [17.3] 43.5 [12.7] 5.1	58.2 [17.1] 41.9 [12.3] 5.1	57.2 [16.8] 54.5 [16.0] 5.1	55.3 [16.2] 50.2 [14.7] 5.1	54.5 [16.0] 48.4 [14.2] 5
	100 [37.8]	Total kBtu/h [kW] Sens kBtu/h [kW] Power	63.0 [18.5] 38.4 [11.3] 5.5	60.9 [17.8] 35.4 [10.4] 5.4	60.0 [17.6] 34.1 [10.0] 5.4	58.5 [17.1] 46.1 [13.5] 5.4	56.6 [16.6] 42.5 [12.5] 5.4	55.8 [16.4] 40.9 [12.0] 5.3	54.6 [16.0] 53.4 [15.7] 5.4	52.9 [15.5] 49.2 [14.4] 5.3	52.1 [15.3] 47.4 [13.9] 5.2
	105 [40.6]	Total kBtu/h [kW] Sens kBtu/h [kW] Power	60.1 [17.6] 37.2 [10.9] 5.7	58.2 [17.1] 34.2 [10.0] 5.7	57.4 [16.8] 33.0 [9.7] 5.6	55.7 [16.3] 44.9 [13.2] 5.7	53.9 [15.8] 41.3 [12.1] 5.6	53.1 [15.6] 39.8 [11.7] 5.5	51.8 [15.2] 51.8 [15.2] 5.6	50.1 [14.7] 48.1 [14.1] 5.5	49.4 [14.5] 46.3 [13.6] 5.5
	110 [43.3]	Total kBtu/h [kW] Sens kBtu/h [kW] Power	57.1 [16.7] 35.8 [10.5] 6.0	55.2 [16.2] 33.0 [9.7] 5.9	54.4 [15.9] 31.8 [9.3] 5.9	52.6 [15.4] 43.6 [12.8] 5.9	50.9 [14.9] 40.1 [11.8] 5.8	50.2 [14.7] 38.6 [11.3] 5.8	48.7 [14.3] 48.7 [14.3] 5.9	47.2 [13.8] 46.8 [13.7] 5.8	46.5 [13.6] 45.1 [13.2] 5.7
	115 [46.1]	Total kBtu/h [kW] Sens kBtu/h [kW] Power	53.7 [15.7] 34.4 [10.1] 6.2	52.0 [15.2] 31.7 [9.3] 6.1	51.2 [15.0] 30.5 [8.9] 6.1	49.3 [14.4] 42.1 [12.3] 6.2	47.7 [14.0] 38.8 [11.4] 6.1	47.0 [13.8] 37.3 [10.9] 6.0	45.4 [13.3] 45.4 [13.3] 6.1	43.9 [12.9] 43.9 [12.9] 6.0	43.3 [12.7] 43.3 [12.7] 6.0
	120 [48.9]	Total kBtu/h [kW] Sens kBtu/h [kW] Power	50.1 [14.7] 32.9 [9.6] 6.5	48.5 [14.2] 30.3 [8.9] 6.4	47.8 [14.0] 29.1 [8.5] 6.4	45.6 [13.4] 40.6 [11.9] 6.4	44.2 [13.0] 37.4 [11.0] 6.3	43.5 [12.7] 36.0 [10.6] 6.3	41.8 [12.3] 41.8 [12.3] 6.4	40.4 [11.8] 40.4 [11.8] 6.3	39.8 [11.7] 39.8 [11.7] 6.2
125 [51.7]	Total kBtu/h [kW] Sens kBtu/h [kW] Power	46.2 [13.5] 31.2 [9.1] 6.8	44.7 [13.1] 28.7 [8.4] 6.7	44.1 [12.9] 27.7 [8.1] 6.6	41.8 [12.3] 38.9 [11.4] 6.7	40.4 [11.8] 35.8 [10.5] 6.6	39.8 [11.7] 34.5 [10.1] 6.6	37.9 [11.1] 37.9 [11.1] 6.7	36.7 [10.8] 36.7 [10.8] 6.5	36.1 [10.6] 36.1 [10.6] 6.5	

DR —Depression ratio
dbE —Entering air dry bulb
wbE—Entering air wet bulb

Total —Total capacity x 1000 Btu/h
Sens —Sensible capacity x 1000 Btu/h
Power—kW input

NOTES:

① When the entering air dry bulb is other than 80°F [27°C], adjust the sensible capacity from the table by adding [1.10 x CFM x (1 – DR) x (dbE – 80)].

HEATING PERFORMANCE DATA—RHPXYB060

IDB		60°F [15.6°C]			70°F [21.1°C]			80°F [26.7°C]			
CFM [L/s]		2250 [1062]	1900 [897]	1750 [826]	2250 [1062]	1900 [897]	1750 [826]	2250 [1062]	1900 [897]	1750 [826]	
O U T D O O R D R Y B U L B T E M P E R A T U R E ° F [° C]	0 [-17.8]	Total kBtu/h [kW] Power	23.4 [6.9] 3.7	23.1 [6.8] 3.8	23.0 [6.7] 3.8	22.0 [6.4] 4.1	21.8 [6.4] 4.2	21.6 [6.3] 4.2	20.7 [6.1] 4.5	20.4 [6.0] 4.6	20.3 [5.9] 4.6
	5 [-15]	Total kBtu/h [kW] Power	26.9 [7.9] 3.6	26.6 [7.8] 3.7	26.4 [7.7] 3.7	25.5 [7.5] 4.0	25.2 [7.4] 4.1	25.1 [7.4] 4.1	24.2 [7.1] 4.4	23.8 [7.0] 4.5	23.7 [6.9] 4.5
	10 [-12.2]	Total kBtu/h [kW] Power	30.4 [8.9] 3.6	30.1 [8.8] 3.6	29.9 [8.8] 3.7	29.1 [8.5] 3.9	28.7 [8.4] 4.0	28.5 [8.4] 4.1	27.7 [8.1] 4.3	27.3 [8.0] 4.4	27.2 [8.0] 4.5
	15 [-9.4]	Total kBtu/h [kW] Power	34.0 [10.0] 3.5	33.5 [9.8] 3.6	33.3 [9.8] 3.7	32.6 [9.6] 3.9	32.1 [9.4] 4.0	32.0 [9.4] 4.0	31.2 [9.1] 4.3	30.8 [9.0] 4.4	30.6 [9.0] 4.4
	20 [-6.7]	Total kBtu/h [kW] Power	37.5 [11.0] 3.5	37.0 [10.8] 3.6	36.8 [10.8] 3.7	36.1 [10.6] 3.9	35.6 [10.4] 4.0	35.4 [10.4] 4.0	34.7 [10.2] 4.3	34.2 [10.0] 4.4	34.0 [10.0] 4.4
	25 [-3.9]	Total kBtu/h [kW] Power	41.0 [12.0] 3.6	40.4 [11.8] 3.6	40.2 [11.8] 3.7	39.6 [11.6] 3.9	39.1 [11.5] 4.0	38.9 [11.4] 4.1	38.2 [11.2] 4.3	37.7 [11.0] 4.4	37.5 [11.0] 4.5
	30 [-1.1]	Total kBtu/h [kW] Power	44.5 [13.0] 3.6	43.9 [12.9] 3.7	43.7 [12.8] 3.7	43.1 [12.6] 4.0	42.5 [12.5] 4.1	42.3 [12.4] 4.1	41.7 [12.2] 4.4	41.2 [12.1] 4.5	40.9 [12.0] 4.5
	35 [1.7]	Total kBtu/h [kW] Power	48.0 [14.1] 3.7	47.4 [13.9] 3.8	47.1 [13.8] 3.8	46.6 [13.7] 4.1	46.0 [13.5] 4.2	45.7 [13.4] 4.2	45.2 [13.2] 4.4	44.6 [13.1] 4.6	44.4 [13.0] 4.6
	40 [4.4]	Total kBtu/h [kW] Power	51.5 [15.1] 3.8	50.8 [14.9] 3.9	50.5 [14.8] 3.9	50.1 [14.7] 4.2	49.5 [14.5] 4.3	49.2 [14.4] 4.3	48.7 [14.3] 4.6	48.1 [14.1] 4.7	47.8 [14.0] 4.7
	45 [7.2]	Total kBtu/h [kW] Power	55.0 [16.1] 3.9	54.3 [15.9] 4.0	54.0 [15.8] 4.1	53.6 [15.7] 4.3	52.9 [15.5] 4.4	52.6 [15.4] 4.5	52.2 [15.3] 4.7	51.6 [15.1] 4.8	51.3 [15.0] 4.9
50 [10]	Total kBtu/h [kW] Power	58.5 [17.1] 4.1	57.8 [16.9] 4.2	57.4 [16.8] 4.3	57.1 [16.7] 4.5	56.4 [16.5] 4.6	56.1 [16.4] 4.6	55.7 [16.3] 4.9	55.0 [16.1] 5.0	54.7 [16.0] 5.0	

IDB—Indoor air dry bulb

[] Designates Metric Conversions

INDOOR AIRFLOW PERFORMANCE—RHP(A/X)YB

Nominal Cooling Capacity Tons [kW]	Manufacturer Recommended Heat Pump Airflow (Min/Max)	Blower Size/Motor HP [W] & # of Speeds	Motor Speed	External Static Pressure - Inches W.C. [kPa] (Side Discharge-Dry Coil)												
				0.1 [.02]	0.2 [.05]	0.3 [.07]	0.4 [.10]	0.5 [.12]	0.6 [.15]	0.7 [.17]	0.8 [.20]	0.9 [.23]	1.0 [.25]			
2.0 [7.03]	700 CFM / 900 CFM	10 x 9 Blower 1/3 HP [249W] Ensite Air	Tap 1 Fan Only	CFM [l/s]	1003 [473]	942 [445]	890 [420]	830 [392]	784 [370]	732 [345]	678 [320]	612 [289]	573 [270]	526 [248]		
				RPM	722	779	826	879	925	974	1020	1059	1087	1119		
				Watts	134	143	150	158	164	172	179	185	190	194		
			Tap 2 Heater Kit	CFM [l/s]	1021 [482]	975 [460]	911 [430]	850 [401]	802 [379]	753 [355]	714 [337]	657 [310]	600 [283]	549 [259]	500 [232]	453 [214]
				RPM	736	784	841	893	935	979	1022	1063	1093	1125		
				Watts	141	148	159	166	174	182	187	194	199	204		
			Tap 3 HP Medium	CFM [l/s]	1119 [528]	1079 [509]	1026 [484]	981 [463]	926 [437]	876 [413]	819 [387]	782 [369]	739 [349]	661 [312]	611 [294]	564 [276]
				RPM	785	822	866	914	957	1004	1048	1081	1114	1136		
				Watts	178	185	194	202	210	219	227	233	238	232		
			Tap 4 HP Low	CFM [l/s]	923 [436]	870 [411]	817 [386]	763 [360]	703 [332]	640 [302]	586 [277]	530 [250]	484 [228]	453 [214]	408 [190]	361 [163]
				RPM	701	750	797	845	898	947	986	1025	1059	1081		
				Watts	117	123	129	136	143	150	156	160	166	169		
Tap 5 HP High	CFM [l/s]	1344 [634]	1305 [616]	1267 [598]	1230 [580]	1178 [556]	1121 [529]	1054 [497]	921 [435]	824 [389]	692 [327]	611 [294]	530 [250]			
	RPM	906	933	976	1005	1043	1087	1111	1132	1144	1155					
	Watts	286	294	305	313	322	329	336	292	267	247					
2.5 [8.79]	875 CFM / 1125 CFM	12 x 9T Blower 1/2 HP [373W] Ensite Air	Tap 1 Fan Only	CFM [l/s]	983 [464]	921 [435]	863 [407]	757 [357]	674 [318]	590 [278]	505 [238]	386 [182]	347 [164]	309 [146]		
				RPM	575	618	658	709	749	805	842	877	889	934		
				Watts	102	109	115	123	129	137	143	149	150	157		
			Tap 2 Heater Kit	CFM [l/s]	1228 [580]	1177 [555]	1124 [530]	1080 [510]	999 [471]	933 [440]	856 [404]	784 [370]	725 [342]	670 [316]	611 [294]	564 [276]
				RPM	679	715	751	783	825	858	897	928	948	983		
				Watts	179	187	195	202	212	219	228	236	246	252		
			Tap 3 HP Medium	CFM [l/s]	1322 [624]	1276 [602]	1228 [580]	1185 [559]	1145 [540]	1076 [508]	995 [470]	926 [437]	863 [407]	801 [378]	742 [354]	683 [325]
				RPM	679	715	751	783	825	858	897	928	948	983		
				Watts	179	187	195	202	212	219	228	236	246	252		
			Tap 4 HP Low	CFM [l/s]	1146 [541]	1092 [515]	1037 [489]	972 [459]	891 [421]	819 [387]	739 [349]	651 [307]	599 [283]	550 [260]	501 [242]	453 [214]
				RPM	644	683	720	758	800	840	879	914	948	983		
				Watts	153	161	168	176	184	192	200	207	214	220		
Tap 5 HP High	CFM [l/s]	1427 [673]	1385 [654]	1342 [633]	1299 [613]	1259 [594]	1215 [573]	1176 [555]	1070 [505]	1001 [472]	940 [444]	881 [416]	822 [398]			
	RPM	772	802	833	862	888	918	942	987	1023	1053					
	Watts	272	281	290	298	306	315	322	335	345	354					

NOTE: Grey cells indicate airflow outside of manufacturers recommendation.
Do not connect wiring to unspecified speed taps.

[] Designates Metric Conversions

INDOOR AIRFLOW PERFORMANCE -- RHP(A/X)YB

Nominal Cooling Capacity Tons [kW]	Manufacturer Recommended Heat Pump Airflow (Min/Max)	Blower Size/ Motor HP [W] & # of Speeds	Motor Speed	External Static Pressure - Inches W.C. [kPa] (Side Discharge-Dry Coil)												
				0.1 [.02]	0.2 [.05]	0.3 [.07]	0.4 [.10]	0.5 [.12]	0.6 [.15]	0.7 [.17]	0.8 [.20]	0.9 [.23]	1.0 [.25]			
3.0 [10.55]	1050 CFM / 1350 CFM	12 x 9T Blower 1/2 HP [373W] Ensite Air	Tap 1 Fan Only	CFM [l/s]	974 [460]	920 [434]	856 [404]	794 [375]	626 [295]	559 [264]	445 [210]	349 [165]	314 [148]	253 [119]		
				RPM	450	502	561	613	711	745	812	852	874	909		
				Watts	87	94	103	110	125	131	141	146	149	154		
			Tap 2 Heater Kit	CFM [l/s]	1157 [546]	1126 [531]	1066 [503]	1014 [479]	958 [452]	850 [401]	733 [346]	692 [327]	622 [294]	535 [252]	463 [217]	366 [169]
				RPM	515	546	599	647	696	779	836	863	931	963	988	
				Watts	133	140	150	160	170	187	200	204	217	225		
			Tap 3 HP Medium	CFM [l/s]	1447 [683]	1413 [667]	1384 [653]	1341 [633]	1294 [611]	1250 [590]	1209 [571]	1163 [549]	1113 [525]	1063 [502]	1011 [479]	960 [455]
				RPM	614	643	668	709	750	790	828	869	908	949	990	
				Watts	246	255	263	274	287	300	309	323	336	350	366	
			Tap 4 HP Low	CFM [l/s]	1581 [746]	1544 [729]	1497 [707]	1468 [693]	1425 [673]	1382 [652]	1341 [633]	1305 [616]	1262 [596]	1227 [579]	1184 [562]	1141 [545]
RPM	649	677		707	740	776	815	853	887	925	959	993				
Watts	307	317		327	340	352	366	380	390	405	418					
Tap 5 HP High	CFM [l/s]	1633 [771]	1636 [772]	1590 [750]	1553 [733]	1505 [710]	1454 [686]	1410 [665]	1372 [648]	1335 [630]	1301 [614]	1268 [597]	1235 [580]			
	RPM	661	690	730	765	804	847	886	919	949	974	1001				
	Watts	320	332	346	361	375	392	407	419	431	440					
3.5 [12.31]	1225 CFM / 1575 CFM	12 x 9T Blower 3/4 HP [559W] Ensite Air	Tap 1 Fan Only	CFM [l/s]	1400 [661]	1202 [567]	1057 [499]	1013 [478]	900 [425]	767 [362]	721 [340]	673 [318]	577 [272]	513 [242]		
				RPM	579	588	623	662	737	812	835	865	899	929		
				Watts	194	163	154	162	177	193	199	205	218	224		
			Tap 2 Heater Kit	CFM [l/s]	1400 [661]	1202 [567]	1057 [499]	1013 [478]	900 [425]	767 [362]	721 [340]	673 [318]	577 [272]	513 [242]	449 [204]	386 [178]
				RPM	579	588	623	662	737	812	835	865	899	929		
				Watts	194	163	154	162	177	193	199	205	218	224		
			Tap 3 HP Medium	CFM [l/s]	1712 [808]	1682 [794]	1636 [772]	1596 [753]	1545 [729]	1490 [703]	1444 [681]	1405 [663]	1371 [647]	1338 [631]	1305 [615]	1272 [599]
				RPM	667	697	741	777	818	863	903	935	961	982		
				Watts	327	339	356	371	386	405	420	433	444	451		
			Tap 4 HP Low	CFM [l/s]	1493 [705]	1453 [686]	1413 [667]	1342 [633]	1294 [611]	1248 [589]	1201 [567]	1104 [521]	970 [458]	826 [387]	700 [324]	600 [276]
RPM	602	643		682	739	779	818	853	893	933	973	1018				
Watts	229	242		253	271	284	296	308	327	352	360					
Tap 5 HP High	CFM [l/s]	1753 [827]	1717 [810]	1679 [792]	1638 [773]	1590 [750]	1543 [728]	1492 [704]	1455 [687]	1417 [669]	1390 [656]	1363 [643]	1336 [630]			
	RPM	684	716	752	781	824	867	904	940	969	988					
	Watts	350	364	380	392	410	427	440	455	469	478					

NOTE: Grey cells indicate airflow outside of manufacturers recommendation.
Do not connect wiring to unspecified speed taps.

[] Designates Metric Conversions

INDOOR AIRFLOW PERFORMANCE – RHPXYB

Nominal Cooling Capacity Tons [kW]	Manufacturer Recommended Heat Pump Airflow (Min/Max)	Blower Size/ Motor HP [W] & # of Speeds	Motor Speed	External Static Pressure - Inches W.C. [kPa] (Side Discharge-Dry Coil)											
				0.1 [.02]	0.2 [.05]	0.3 [.07]	0.4 [.10]	0.5 [.12]	0.6 [.15]	0.7 [.17]	0.8 [.20]	0.9 [.23]	1.0 [.25]		
4.0 [14.07]	1400 CFM / 1800 CFM	12 x 9T Blower 3/4 HP [559W] Ensite Air	Tap 1 Fan Only	CFM [l/s]	1400 [661]	1202 [567]	1057 [499]	1013 [478]	900 [425]	767 [362]	721 [340]	673 [318]	577 [272]	513 [242]	
				RPM	579	588	623	662	737	812	835	865	929	955	
				Watts	194	163	154	162	177	193	205	218	224	224	
			Tap 2 Heater Kit	CFM [l/s]	1400 [661]	1202 [567]	1057 [499]	1013 [478]	900 [425]	767 [362]	721 [340]	673 [318]	577 [272]	513 [242]	459
				RPM	579	588	623	662	737	812	835	865	929	955	955
				Watts	194	163	154	162	177	193	205	218	224	224	224
			Tap 3 HP Medium	CFM [l/s]	1873 [884]	1845 [871]	1805 [852]	1754 [828]	1717 [810]	1673 [790]	1637 [773]	1599 [755]	1555 [734]	1502 [709]	1459
				RPM	579	588	623	662	737	812	835	865	929	955	955
				Watts	194	163	154	162	177	193	205	218	224	224	224
			Tap 4 HP Low	CFM [l/s]	1753 [827]	1717 [810]	1679 [792]	1638 [773]	1590 [750]	1543 [728]	1492 [704]	1455 [687]	1417 [669]	1390 [656]	1347
				RPM	684	716	752	781	824	867	904	940	969	988	988
				Watts	350	364	380	392	410	427	440	455	469	478	478
Tap 5 HP High	CFM [l/s]	1962 [926]	1929 [910]	1886 [890]	1850 [873]	1814 [856]	1783 [841]	1752 [827]	1702 [803]	1674 [790]	1629 [769]	1586			
	RPM	755	775	806	839	867	902	933	980	1009	1048	1048			
	Watts	487	498	512	529	544	561	579	604	619	644	644			
5.0 [17.58]	1750 CFM / 2250 CFM	12 x 9T Blower 1 HP [746W] Ensite Air	Tap 1 Fan Only	CFM [l/s]	1396 [659]	1250 [590]	1199 [566]	1146 [541]	1095 [517]	1037 [489]	857 [404]	785 [370]	745 [352]	698 [329]	
				RPM	585	592	634	676	722	759	868	904	929	968	
				Watts	186	163	173	182	193	201	227	235	241	250	
			Tap 2 Heater Kit	CFM [l/s]	1396 [659]	1250 [590]	1199 [566]	1146 [541]	1095 [517]	1037 [489]	857 [404]	785 [370]	745 [352]	698 [329]	655
				RPM	585	592	634	676	722	759	868	904	929	968	968
				Watts	186	163	173	182	193	201	227	235	241	250	250
			Tap 3 Y1	CFM [l/s]	1468 [693]	1443 [681]	1389 [656]	1344 [634]	1291 [609]	1251 [590]	1205 [569]	1086 [513]	975 [460]	915 [432]	872
				RPM	609	638	683	722	767	796	831	913	977	1009	1009
				Watts	213	223	235	246	260	268	279	303	323	332	332
			Tap 4 Y2	CFM [l/s]	2095 [989]	2071 [977]	2043 [964]	2018 [952]	1981 [935]	1945 [918]	1913 [903]	1870 [883]	1839 [868]	1800 [850]	1757
				RPM	808	829	856	877	911	935	970	1002	1029	1069	1069
				Watts	571	581	598	609	628	641	663	678	700	723	723
Tap 5 Y2 Max Static	CFM [l/s]	2262 [1068]	2245 [1060]	2218 [1047]	2190 [1034]	2158 [1018]	2135 [1008]	2100 [991]	2068 [976]	2002 [945]	1940 [916]	1897			
	RPM	867	880	897	936	956	985	1017	1043	1076	1094	1094			
	Watts	736	748	760	784	797	818	841	858	865	846	846			

NOTE: Grey cells indicate airflow outside of manufacturers recommendation.
Do not connect wiring to unspecified speed taps.

[] Designates Metric Conversions

INDOOR AIRFLOW PERFORMANCE—RHPXYB

DOWN DISCHARGE PRESSURE DROP (ADD TO EXTERNAL STATIC PRESSURE)									
CFM [L/s]	800 [378]	1000 [472]	1200 [566]	1400 [661]	1600 [755]	1800 [849]	2000 [944]	2200 [1038]	
Pressure Drop—Inches W.C. [kPa]	.02 [.005]	.05 [.012]	.07 [.017]	.1 [.025]	.12 [.030]	.15 [.037]	.17 [.042]	0.2 [.05]	

[] Designates Metric Conversions

ELECTRICAL DATA – RHP(A/X)YB SERIES								
		024AJT	030ACT	030AJT	036ACT	036ADT	036AJT	042ACT
Unit Information	Unit Operating Voltage Range	187-253	187-253	187-253	187-253	414-506	187-253	187-253
	Volts	208/230	208/230	208/230	208/230	460	208/230	208/230
	Phase	1	3	1	3	3	1	3
	Hz	60	60	60	60	60	60	60
	Minimum Circuit Ampacity	16	16	22	18	9	25	20
	Minimum Overcurrent Protection Device Size	20	20	25	20	15	30	25
	Maximum Overcurrent Protection Device Size	20	20	30	25	15	35	25
Compressor Motor	No.	1	1	1	1	1	1	1
	Volts	208/230	208/230	208/230	208/230	460	208/230	208/230
	Phase	1	3	1	3	3	1	3
	Amps (RLA), Comp. 1	9	7.8	12.5	9	4.1	14.4	9.6
	Amps (LRA), Comp. 1	63	70	67	70	39	86	90
	Amps (RLA), Comp. 2	N/A	N/A	N/A	N/A	N/A	N/A	N/A
	Amps (LRA), Comp. 2	N/A	N/A	N/A	N/A	N/A	N/A	N/A
Condenser Motor	No.	1	1	1	1	1	1	1
	Volts	208/230	208/230	208/230	208/230	460	208/230	208/230
	Phase	1	1	1	1	1	1	1
	HP	1/3	1/3	1/3	1/3	1/3	1/3	1/3
	Amps (FLA, each)	1.5	2	2	2	0.8	2	2
	Amps (LRA, each)	3	3.9	3.9	3	1.6	3	3.9
Evaporator Fan	No.	1	1	1	1	1	1	1
	Volts	208/230	208/230	208/230	208/230	460	208/230	208/230
	Phase	1	1	1	1	1	1	1
	HP	1/3	1/2	1/2	1/2	3/4	1/2	3/4
	Amps (FLA, each)	2.8	4.1	4.1	4.1	2.7	4.1	6
	Amps (LRA, each)	0	0	0	0	0	0	0

1. Horsepower Per Compressor.
2. Amp Draw Per Motor. Multiply Value By Number of Motors to Determine Total Amps.

ELECTRICAL DATA – RHP(A/X)YB SERIES								
		042AJT	048ACT	048ADT	048AJT	060ACT	060ADT	060AJT
Unit Information	Unit Operating Voltage Range	187-253	187-253	414-506	187-253	187-253	414-506	187-253
	Volts	208/230	208/230	460	208/230	208/230	460	208/230
	Phase	1	3	3	1	3	3	1
	Hz	60	60	60	60	60	60	60
	Minimum Circuit Ampacity	28	23	12	35	26	13	40
	Minimum Overcurrent Protection Device Size	35	30	15	45	30	15	50
Compressor Motor	Maximum Overcurrent Protection Device Size	40	30	15	50	35	15	60
	No.	1	1	1	1	1	1	1
	Volts	208/230	208/230	460	208/230	208/230	460	208/230
	Phase	1	3	3	1	3	3	1
	Amps (RLA), Comp. 1	15.8	12	6.3	21.5	12.4	6.5	23.7
	Amps (LRA), Comp. 1	96	123	60	102	93	60	123
Condenser Motor	Amps (RLA), Comp. 2	N/A	N/A	N/A	N/A	N/A	N/A	N/A
	Amps (LRA), Comp. 2	N/A	N/A	N/A	N/A	N/A	N/A	N/A
	No.	1	1	1	1	1	1	1
	Volts	208/230	208/230	460	208/230	208/230	460	208/230
	Phase	1	1	3	1	1	1	1
	HP	1/3	1/3	1/3	1/3	1/2	1/2	1/2
Evaporator Fan	Amps (FLA, each)	2	2	1	2	2.4	1.2	2.4
	Amps (LRA, each)	3.9	3.9	2.2	3.9	5.5	3	5.5
	No.	1	1	1	1	1	1	1
	Volts	208/230	208/230	460	208/230	208/230	460	208/230
	Phase	1	1	1	1	1	1	1
	HP	3/4	3/4	3/4	3/4	1	1	1
Evaporator Fan	Amps (FLA, each)	6	6	2.7	6	7.6	3.5	7.6
	Amps (LRA, each)	0	0	0	0	0	0	0

1. Horsepower Per Compressor.
2. Amp Draw Per Motor. Multiply Value By Number of Motors to Determine Total Amps.

Electric Heater Kit Factory Installed Options*	Unit Model Application
RXQJ-A10J (208-240 volt, 1-ph, 10kW)	RHPAYB024/030/036
RXQJ-A15J (208-240 volt, 1-ph, 15kW)	RHPAYB036/042
RXQJ-B15J (208-240 volt, 1-ph, 15kW)	RHPXYB048/060
RXQJ-A10C (208-240 volt, 3-ph, 10kW)	RHPAYB030/036
RXQJ-A15C (208-240 volt, 3-ph, 15kW)	RHPXYB036/042/048/060
RXQJ-A10D (460 volt, 3-ph, 10kW)	RHPAYB036
RXQJ-A15D (460 volt, 3-ph, 15kW)	RHPXYB036/048/060

*Further kits for field installation on following pages.

WARNING
<p>ONLY ELECTRIC HEATER KITS SUPPLIED BY THIS MANUFACTURER AS DESCRIBED IN THIS PUBLICATION HAVE BEEN DESIGNED, TESTED, AND EVALUATED BY A NATIONALLY RECOGNIZED SAFETY TESTING AGENCY FOR USE WITH THIS UNIT. USE OF ANY OTHER MANUFACTURED ELECTRIC HEATERS INSTALLED WITHIN THIS UNIT MAY CAUSE HAZARDOUS CONDITIONS RESULTING IN PROPERTY DAMAGE, FIRE, BODILY INJURY OR DEATH.</p>

208/240 VOLT, THREE PHASE, 60 Hz, AUXILIARY ELECTRIC HEATER KIT CHARACTERISTICS AND APPLICATION

Separate Power Supply for Both Unit and Heater Kit											
Unit Model Number	Heater Kit				Air Conditioner			Heater Kit		Air Conditioner	
	Model No. RXQJ-	Rated Heater kW @ 208/240 V	FLA	Unit Min. Ckt. Ampacity	Max. Fuse or Ckt. Bkr. Size	Heater Kit Min. Ckt. Ampacity	Heater Kit Max. Fuse or Ckt. Bkr. Size	Heater Kit Min. Ckt. Ampacity	Air Cond. Min. Ckt. Ampacity	Air Cond. Max. Fuse or Ckt. Bkr. Size	
RHPAYB030ACT	NONE	—	—	16/16	20/20	—	—	—	16/16	20/20	
	A05C	3.8/5	10.4/12	29/31	30/35	13/15	15/15	13/15	16/16	20/20	
	A08C	5.7/7.6	15.9/18.3	36/39	40/40	20/23	20/25	20/23	16/16	20/20	
	A10C	7.2/9.6	20/23.1	41/45	45/45	25/29	25/30	25/29	16/16	20/20	
RHPXYB036ACT	NONE	—	—	18/18	25/25	—	—	—	18/18	25/25	
	A05C	3.8/5	10.4/12	31/33	35/35	13/15	15/15	13/15	18/18	25/25	
	A08C	5.7/7.6	15.9/18.3	38/41	40/45	20/23	20/25	20/23	18/18	25/25	
	A10C	7.2/9.6	20/23.1	43/47	45/50	25/29	25/30	25/29	18/18	25/25	
	A15C	10.8/14.4	30.1/34.7	55/61	60/70	38/44	40/45	38/44	18/18	25/25	
RHPXYB042ACT	NONE	—	—	20/20	25/25	—	—	—	20/20	25/25	
	A05C	3.8/5	10.4/12	33/35	40/40	13/15	15/15	13/15	20/20	25/25	
	A08C	5.7/7.6	15.9/18.3	40/43	45/45	20/23	20/25	20/23	20/20	25/25	
	A10C	7.2/9.6	20/23.1	45/49	45/50	25/29	25/30	25/29	20/20	25/25	
	A15C	10.8/14.4	30.1/34.7	58/64	60/70	38/44	40/45	38/44	20/20	25/25	
RHPXYB048ACT	NONE	—	—	23/23	30/30	—	—	—	23/23	30/30	
	A05C	3.8/5	10.4/12	36/38	45/45	13/15	15/15	13/15	23/23	30/30	
	A08C	5.7/7.6	15.9/18.3	43/46	50/50	20/23	20/25	20/23	23/23	30/30	
	A10C	7.2/9.6	20/23.1	48/52	50/60	25/29	25/30	25/29	23/23	30/30	
	A15C	10.8/14.4	30.1/34.7	61/67	70/70	38/44	40/45	38/44	23/23	30/30	
RHPXYB060ACT	NONE	—	—	26/26	35/35	—	—	—	26/26	35/35	
	A05C	3.8/5	10.4/12	39/41	45/45	13/15	15/15	13/15	26/26	35/35	
	A08C	5.7/7.6	15.9/18.3	46/49	50/50	20/23	20/25	20/23	26/26	35/35	
	A10C	7.2/9.6	20/23.1	51/55	60/60	25/29	25/30	25/29	26/26	35/35	
	A15C	10.8/14.4	30.1/34.7	64/69	70/70	38/44	40/45	38/44	26/26	35/35	

460 VOLT, THREE PHASE, 60 Hz, AUXILIARY ELECTRIC HEATER KIT CHARACTERISTICS AND APPLICATION												
Single Power Supply For Both Unit and Heater Kit						Separate Power Supply for Both Unit and Heater Kit						
Unit Model Number	Heater Kit			Air Conditioner			Heater Kit			Air Conditioner		
	Model No. RXQJ-	Rated Heater kW @ 460 V	FLA	Unit Min. Ampacity	Max. Fuse or Ckt. Bkr. Size	Heater Kit Min. Ampacity	Heater Kit Max. Fuse or Ckt. Bkr. Size	Heater Kit Min. Ampacity	Heater Kit Max. Fuse or Ckt. Bkr. Size	Air Cond. Min. Ampacity	Air Cond. Max. Fuse or Ckt. Bkr. Size	
RHPXYB036ADT	NONE	—	—	9	15	—	—	9	15	9	15	
	A05D	4.8	5.8	16	20	8	15	8	15	9	15	
	A08D	7.6	9.1	20	20	12	15	12	15	9	15	
	A10D	9.6	11.6	24	25	15	15	15	15	9	15	
RHPXYB048ADT	A15D	14.4	17.3	31	35	22	25	22	25	9	15	
	NONE	—	—	12	15	—	—	12	15	12	15	
	A05D	4.8	5.8	19	20	8	15	8	15	12	15	
	A08D	7.6	9.1	23	25	12	15	12	15	12	15	
RHPXYB060ADT	A10D	9.6	11.6	27	30	15	15	15	15	12	15	
	A15D	14.4	17.3	34	35	22	25	22	25	12	15	
	NONE	—	—	13	15	—	—	13	15	13	15	
	A05D	4.8	5.8	21	25	8	15	8	15	13	15	
RHPXYB060ADT	A08D	7.6	9.1	25	25	12	15	12	15	13	15	
	A10D	9.6	11.6	28	30	15	15	15	15	13	15	
	A15D	14.4	17.3	35	35	22	25	22	25	13	15	

208/230 VOLT, THREE PHASE, 60 Hz, AUXILIARY ELECTRIC HEATER KIT CHARACTERISTICS AND APPLICATION

		Single Power Supply For Both Unit and Heater Kit				Separate Power Supply for Both Unit and Heater Kit			
Unit Model Number	Heater Kit		Air Conditioner		Heater Kit		Air Conditioner		
	Model No. RXJJ-	Rated Heater kW @ 208/230 V	FLA	Unit Min. Ckt. Ampacity	Max. Fuse or Ckt. Bkr. Size	Heater Kit Min. Ckt. Ampacity	Heater Kit Max. Fuse or Ckt. Bkr. Size	Air Cond. Min. Ckt. Ampacity	Air Cond. Max. Fuse or Ckt. Bkr. Size
RHPAYB024AJT	NONE	—	—	16/16	20/20	—	—	16/16	20/20
	A05J	3.6/4.8	17.3/20	38/41	40/45	22/25	25/25	16/16	20/20
	A08J A10J	5.7/7.6 7.2/9.6	27.4/31.6 34.6/40	50/56 59/66	50/60 60/70	35/40 44/50	35/40 45/50	16/16 16/16	20/20 20/20
RHPAYB030AJT	NONE	—	—	22/22	30/30	—	—	22/22	30/30
	A05J	3.6/4.8	17.3/20	44/47	50/50	22/25	25/25	22/22	30/30
	A08J A10J	5.7/7.6 7.2/9.6	27.4/31.6 34.6/40	56/62 65/72	60/70 70/80	35/40 44/50	35/40 45/50	22/22 22/22	30/30 30/30
RHPXYB036AJT	NONE	—	—	25/25	35/35	—	—	25/25	35/35
	A05J	3.6/4.8	17.3/20	46/50	50/50	22/25	25/25	25/25	35/35
	A08J A10J A15J	5.7/7.6 7.2/9.6 10.8/14.4	27.4/31.6 34.6/40 51.9/60	59/64 68/75 89/100	60/70 70/80 90/100	35/40 44/50 65/75	35/40 45/50 70/80	25/25 25/25 25/25	35/35 35/35 35/35
RHPXYB042AJT	NONE	—	—	28/28	40/40	—	—	28/28	40/40
	A05J	3.6/4.8	17.3/20	50/53	60/60	22/25	25/25	28/28	40/40
	A08J A10J A15J	5.7/7.6 7.2/9.6 10.8/14.4	27.4/31.6 34.6/40 51.9/60	62/68 71/78 93/103	70/70 80/80 100/110	35/40 44/50 65/75	35/40 45/50 70/80	28/28 28/28 28/28	40/40 40/40 40/40
RHPXYB048AJT	NONE	—	—	35/35	50/50	—	—	35/35	50/50
	A05J	3.6/4.8	17.3/20	57/60	70/70	22/25	25/25	35/35	50/50
	A08J B10J B15J	5.7/7.6 7.2/9.6 10.8/14.4	27.4/31.6 34.6/40 51.9/60	70/75 79/85 100/110	80/80 90/90 100/110	35/40 44/50 65/75	35/40 45/50 70/80	35/35 35/35 35/35	50/50 50/50 50/50
RHPXYB060AJT	NONE	—	—	40/40	60/60	—	—	40/40	60/60
	A05J	3.6/4.8	17.3/20	62/65	80/80	22/25	25/25	40/40	60/60
	A08J B10J B15J	5.7/7.6 7.2/9.6 10.8/14.4	27.4/31.6 34.6/40 51.9/60	74/80 83/90 105/115	90/90 90/100 110/125	35/40 44/50 65/75	35/40 45/50 70/80	40/40 40/40 40/40	60/60 60/60 60/60

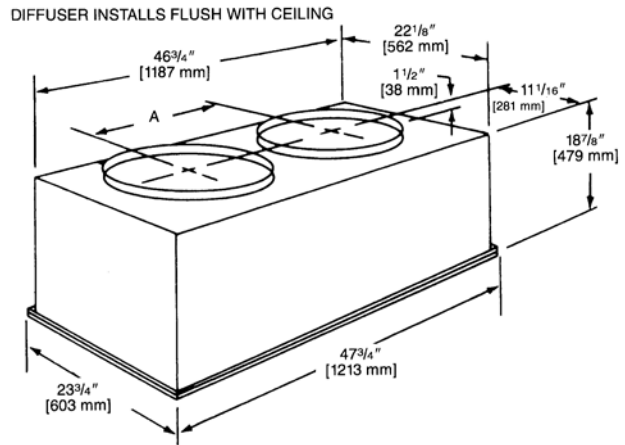
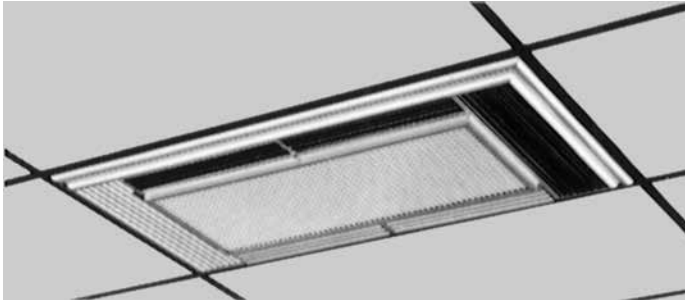
ACCESSORY EQUIPMENT

Accessory Description	Model Application	Accessory Model No.
Roofcurb	RHPA	RXSG-AAA08 (8" [203 mm] Height)
		RXSG-AAA14 (14" [356 mm] Height)
	RHPX	RXSG-AXA14 (14" [356 mm] Height)
		RXSG-AXA24 (24" [610 mm] Height)
Curb Adapter ("A" footprint to "X" footprint)	RHPX	RXRX-DXCAE
Duct Adapter Sideflow Square to Round Transition	RHPA/X	AXMC-BA01
Supply & Return Diffusers	RHPA/X	RXRN-BD15
Rectangular to Round Transition (Downflow)	RHPA/X	RXMC-CA02 (16" [406 mm] Ducts)
		RXMC-CA03 (18" [457 mm] Ducts)
Economizers (Convertible)	RHPA	AXRD-01RACAM3
	RHPX	RXRE-11RXCAM3
Dual Enthalpy Kit	RHPA	RXAX-A04
	RHPX	PD555460
Fresh Air Damper	RHPA	AXRF-FAA1 (Fixed-35%)
		AXRF-FAB1 (Motorized-35%)
	RHPX	RXRF-FAA2 (Fixed-35%)
		RXRF-FAB2 (Motorized-35%)
Filter Kit	RHPA	RXRY-B01
	RHPX	RXRY-B02
Split Door Design Kit	RHPX	RXRX-SDX01
Low Ambient Control	RHPA/X	RXPZ-G01
Phase Monitor Kit	3ph-RHPA/X	RXRX-PM3A01

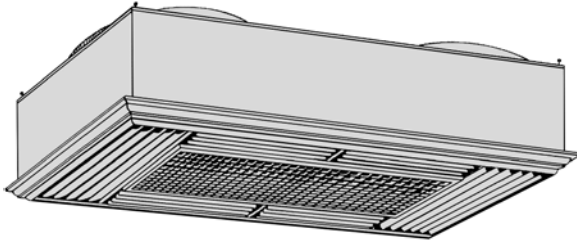
NOTE: High and low pressure controls standard on all RHP(A/X) models.

[] Designates Metric Conversions

COMMON SUPPLY/RETURN CONCENTRIC AIR DIFFUSER



SUPPLY/RETURN DIFFUSER



Designed to convert a side by side or an over and under arrangement into a concentric distribution of air. The diffuser is flush mounted, completely insulated, assembled, and internally baffled to provide four way supply air distribution with a center return. To make the assembly complete and ready to fit into a 2' [0.61 m] x 4' [1.22 m] suspended ceiling grid, the diffuser includes adjustable supply louvers, hanging rings, anti-sweat gasket, and round flanges for use with flexible ducts.

Model No. RXRN-	Diameter Inches [mm]	Shipping Wt. Lbs. [kg]	Dimension A Inches [mm]
BD15	16 [406]	90 [40.82]	20 1/2 [521]

NOTE: The location of the combination supply and return diffuser should not exceed 10 feet [3.05 m] above the floor level for units @ 1000 CFM [472 L/s] or less and 12 [3.66 m] to 14 feet [4.27 m] above the floor level for units with CFM greater than 1000 [472 L/s]. If the diffuser is installed with a greater distance than recommended above, the supply air may become stratified above the required comfort area causing uncomfortable conditions.

AIRFLOW/PRESSURE DROP INFORMATION (INCHES W.C. [kPa])

Accessory	Approximate CFM [L/s]-Supply Air			
	1300 [614]	1575 [743]	1800 [850]	2200 [1038]
Plenum & Supply/Return Duct	.07 [.017]	.10 [.024]	.12 [.030]	.17 [.042]
Diffuser	.09 [.022]	.13 [.032]	.16 [.040]	.24 [.060]
Economizer	.06 [.015]	.09 [.022]	.11 [.027]	.17 [.042]

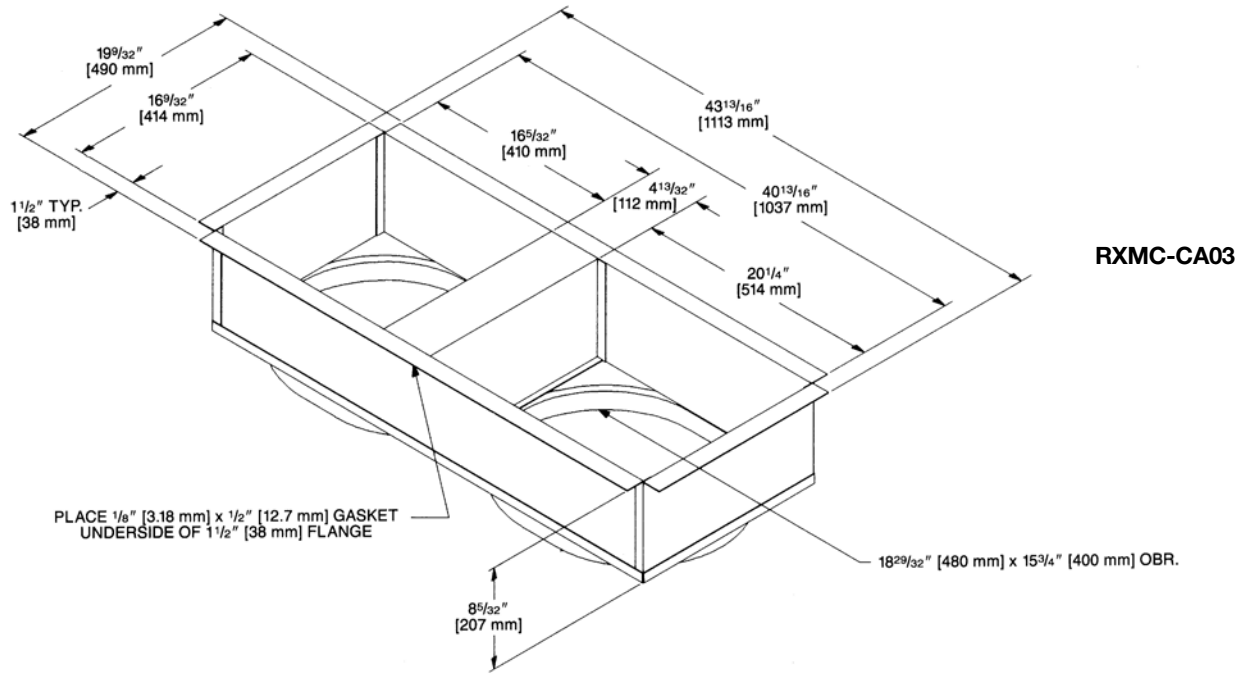
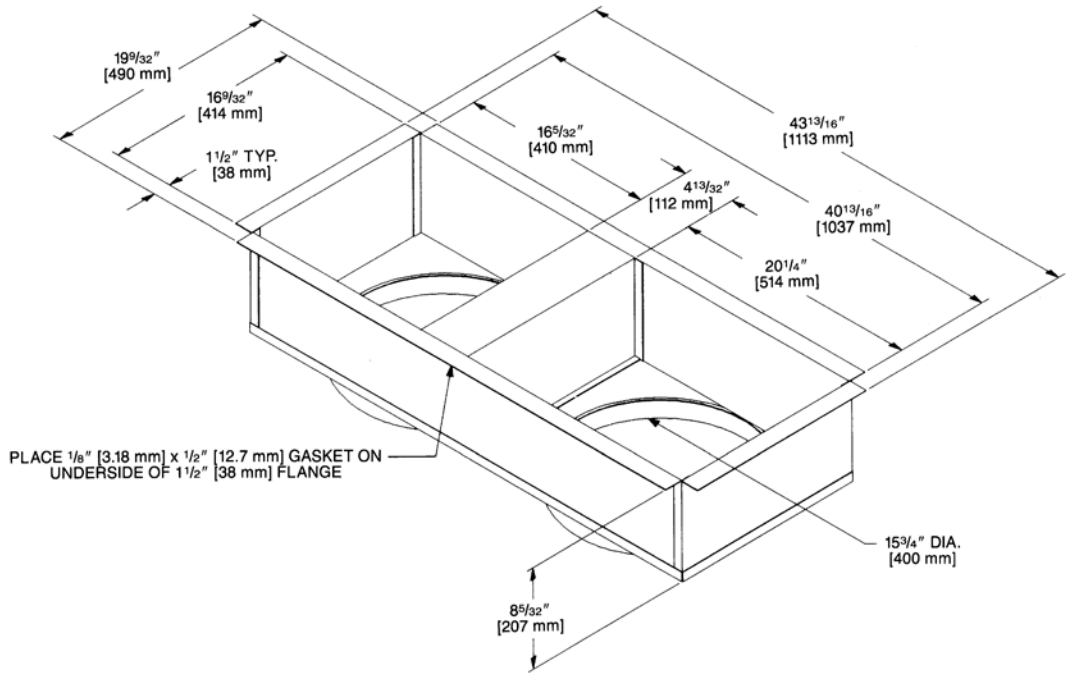
SUPPLY AIR/PERFORMANCE

Diffuser Airflow CFM [L/s]	Range of Throw Ft. [m]
800 [378]-1200 [566]	14 [4.27]-16 [4.88]
1600 [755]-2000 [944]	18 [5.49]-28 [8.53]

[] Designates Metric Conversions

DUCT ADAPTERS RECTANGULAR TO ROUND TRANSITIONS (DOWNFLOW)

RXMC-CA02

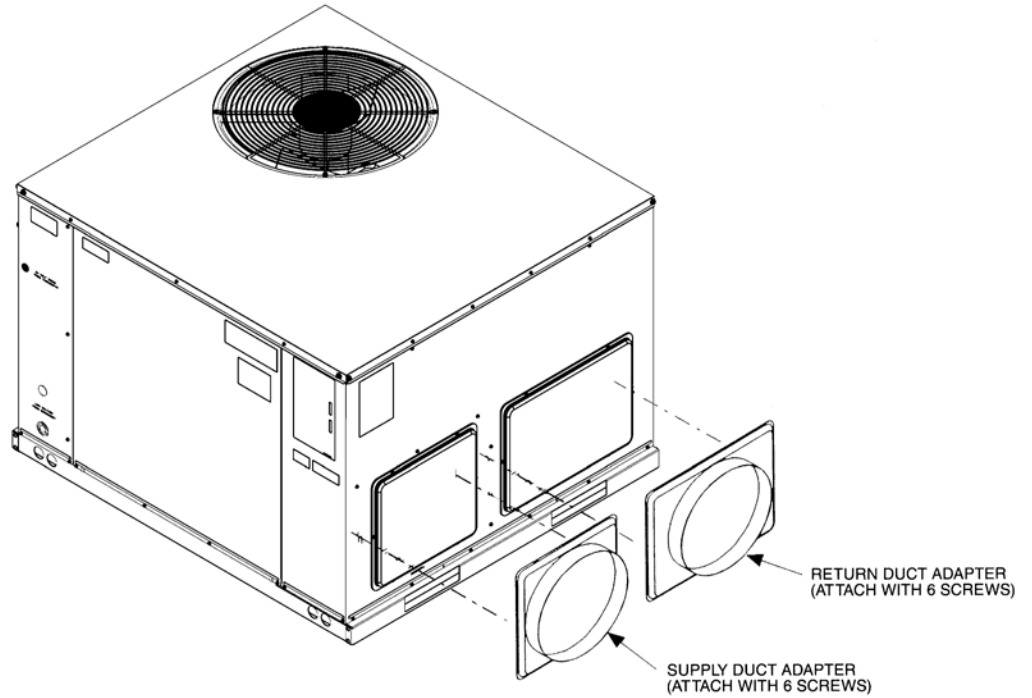


[] Designates Metric Conversions

DUCT ADAPTER SIDEFLOW SQUARE TO ROUND TRANSITION AXMC-BA01

Adapts the side rectangular supply and return openings to 14" [356 mm] diameter round openings.
Adapters provided with same finish as unit and also provided with thermal insulation.

[] Designates Metric Conversions

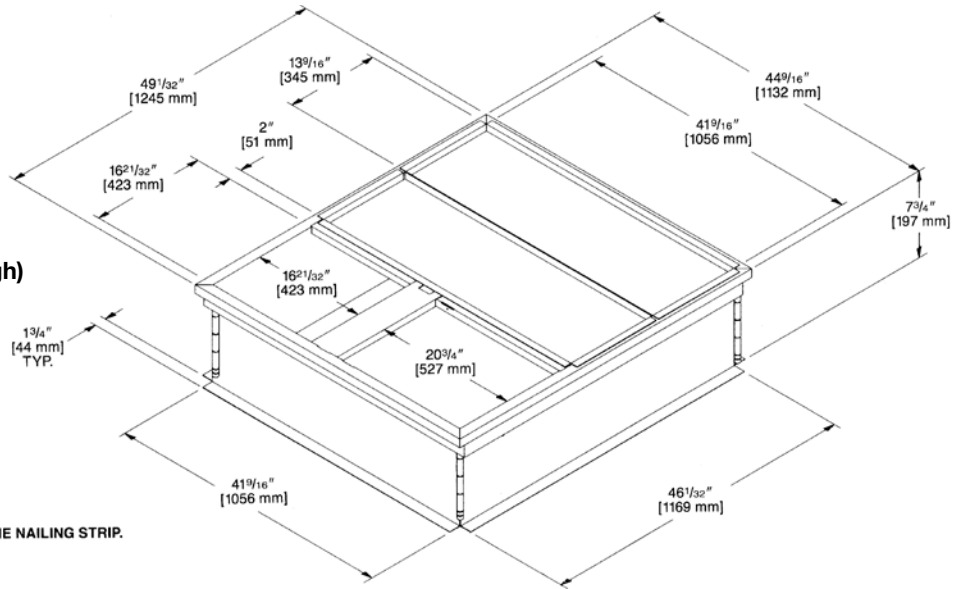


ROOFCURB (Full Perimeter)

For use on RHPAZR- Series
RXSG-AAA08 & RXSG-AAA14

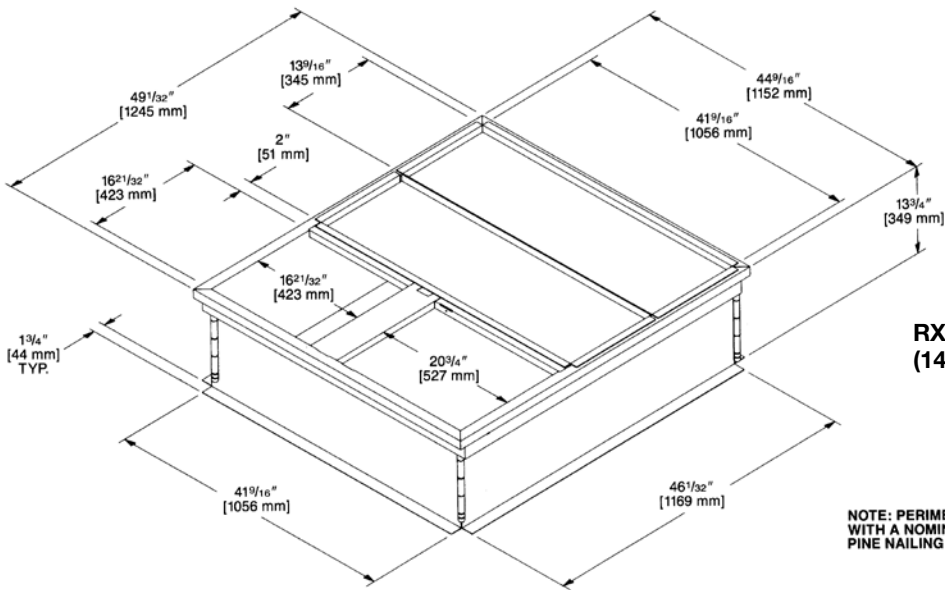
Note: Hinged corners make for fast, easy set-up

RXSG-AAA08
(8" [203 mm] High)



NOTE: PERIMETER OF ROOFCURB IS SUPPLIED WITH A NOMINAL 1" [25.4 mm] x 4" [102 mm] PINE NAILING STRIP.

RXSG-AAA14
(14" [356 mm] High)



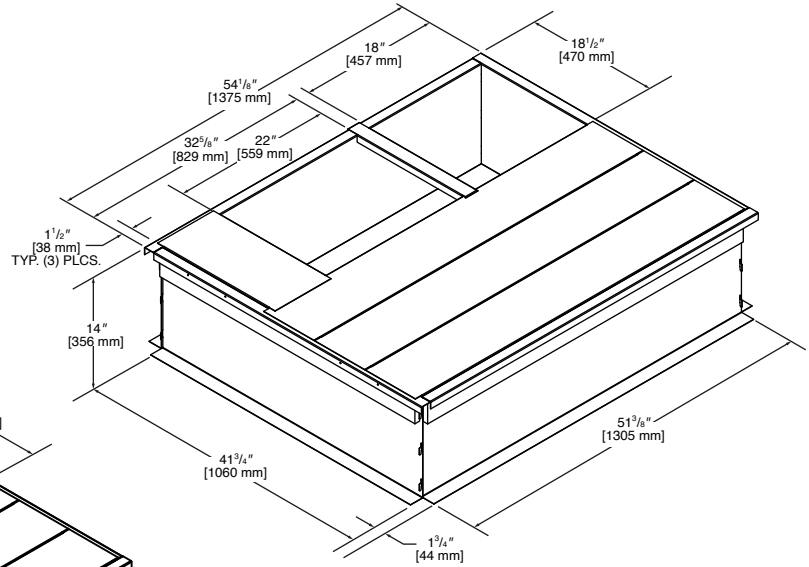
NOTE: PERIMETER OF ROOFCURB IS SUPPLIED WITH A NOMINAL 1" [25.4 mm] x 4" [102 mm] PINE NAILING STRIP.

[] Designates Metric Conversions

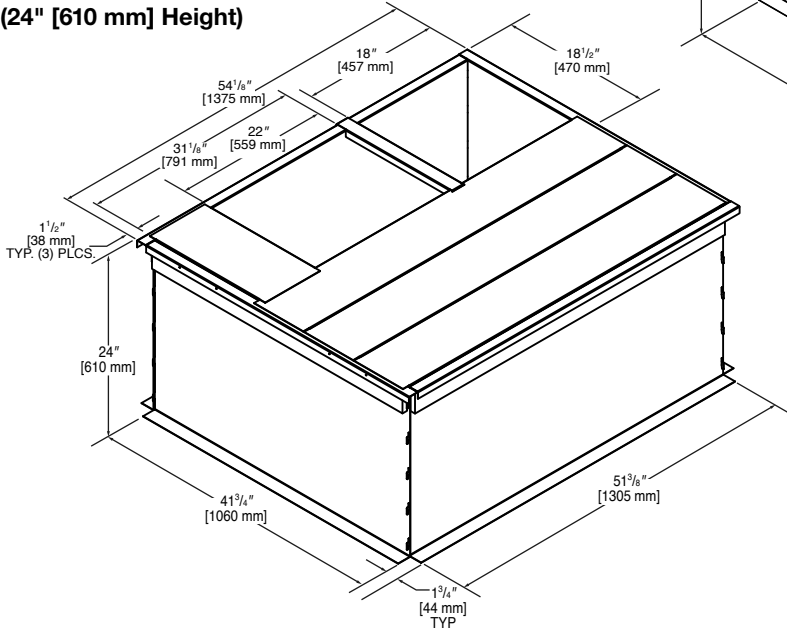
ROOFCURB (Full Perimeter) RXSG-AXA14 & RXSG-AXA24 for RHPXZR- Series

RXSG-AXA14
(14" [356 mm] Height)

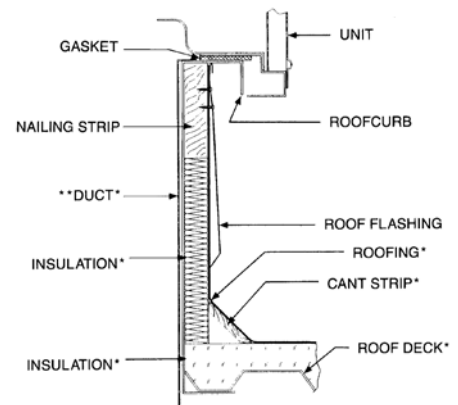
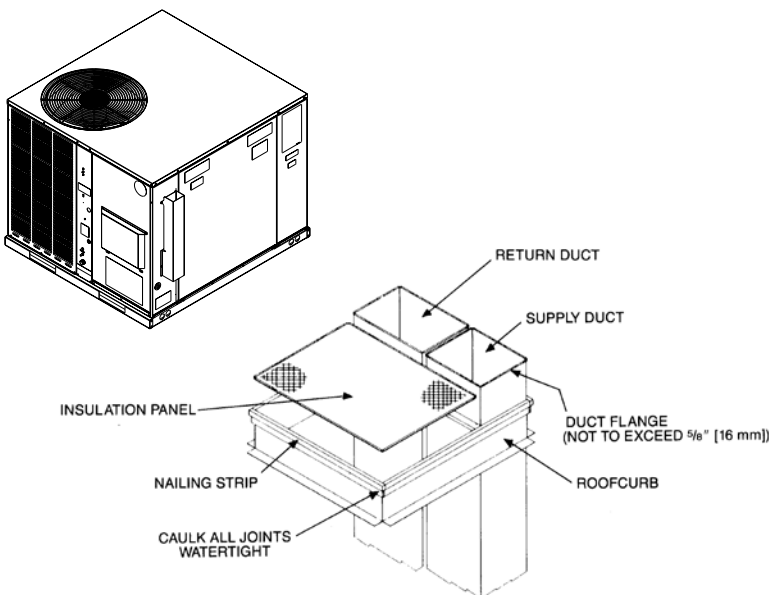
Note: Hinged corners make for fast, easy set-up



RXSG-AXA24
(24" [610 mm] Height)



PACKAGED HEAT PUMP ROOFCURB INSTALLATION (Full Perimeter)

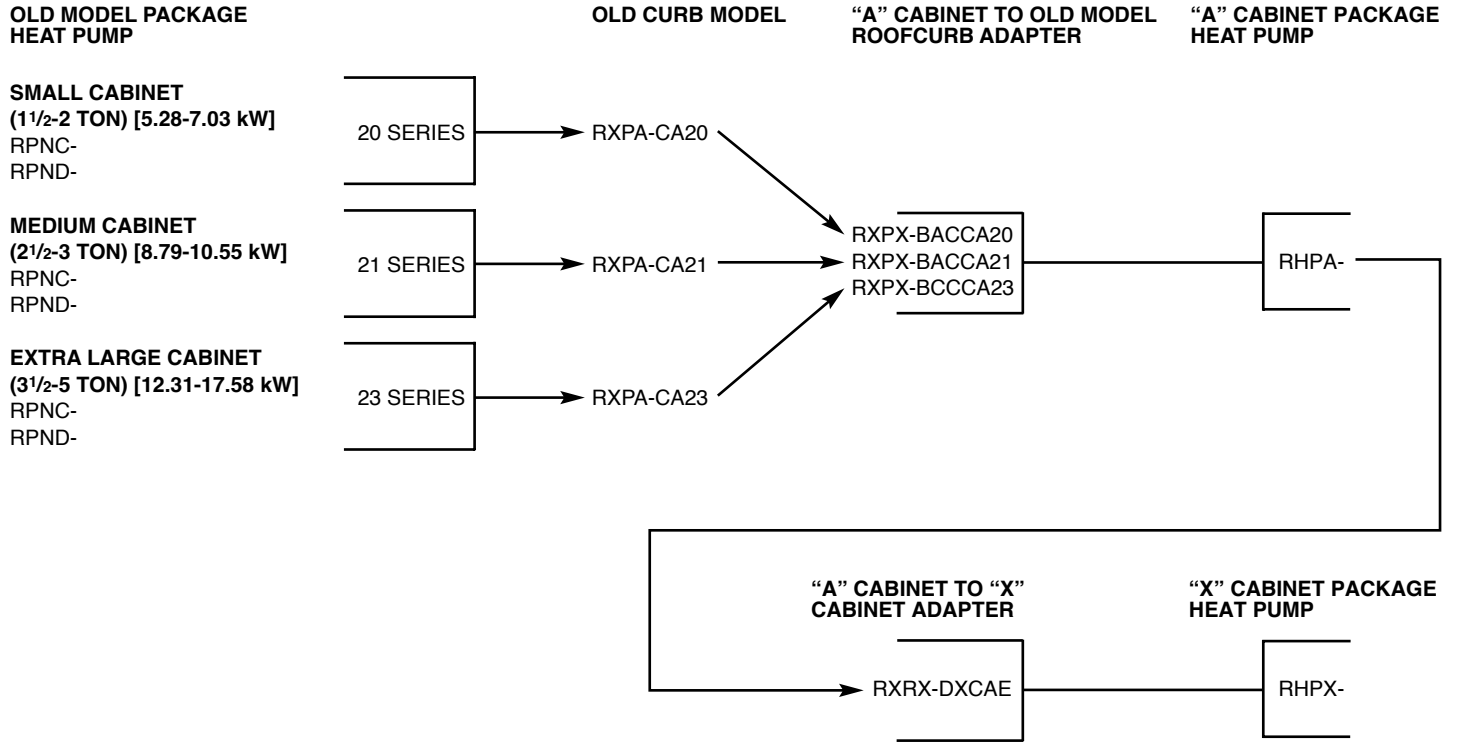


*BY CONTRACTOR
**FOR INSTALLATION OF DUCT AS SHOWN, USE RECOMMENDED DUCT SIZES FROM ROOFCURB INSTALLATION INSTRUCTIONS. FOR DUCT FLANGE ATTACHMENT TO UNIT, SEE UNIT INSTALLATION INSTRUCTIONS FOR RECOMMENDED DUCT SIZES.

[] Designates Metric Conversions

ROOFCURB ADAPTERS

Fabricated from galvanized steel to adapt the New cabinet to the old style curb. All are furnished with a New gasket.



[] Designates Metric Conversions

FRESH AIR DAMPER

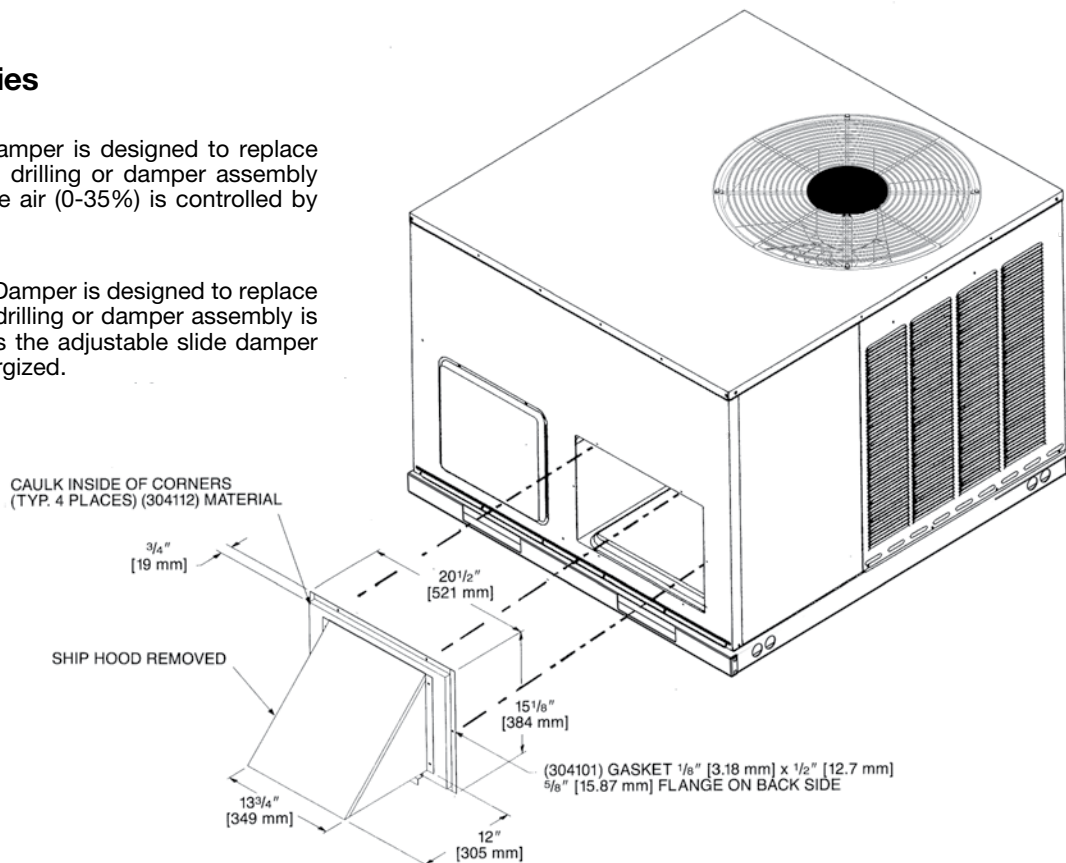
For use on RHPAZR- Series

AXRF-FAA1 (Fixed - 0-35%)

The 0-35% manual outside Air Damper is designed to replace the unit return air duct cover. No drilling or damper assembly is required. The amount of outside air (0-35%) is controlled by simply adjusting the side damper.

AXRF-FAB1 (Motorized - 0-35%)

The 0-35% motorized outside Air Damper is designed to replace the unit return air duct cover. No drilling or damper assembly is required. The control motor opens the adjustable slide damper when the unit blower motor is energized.



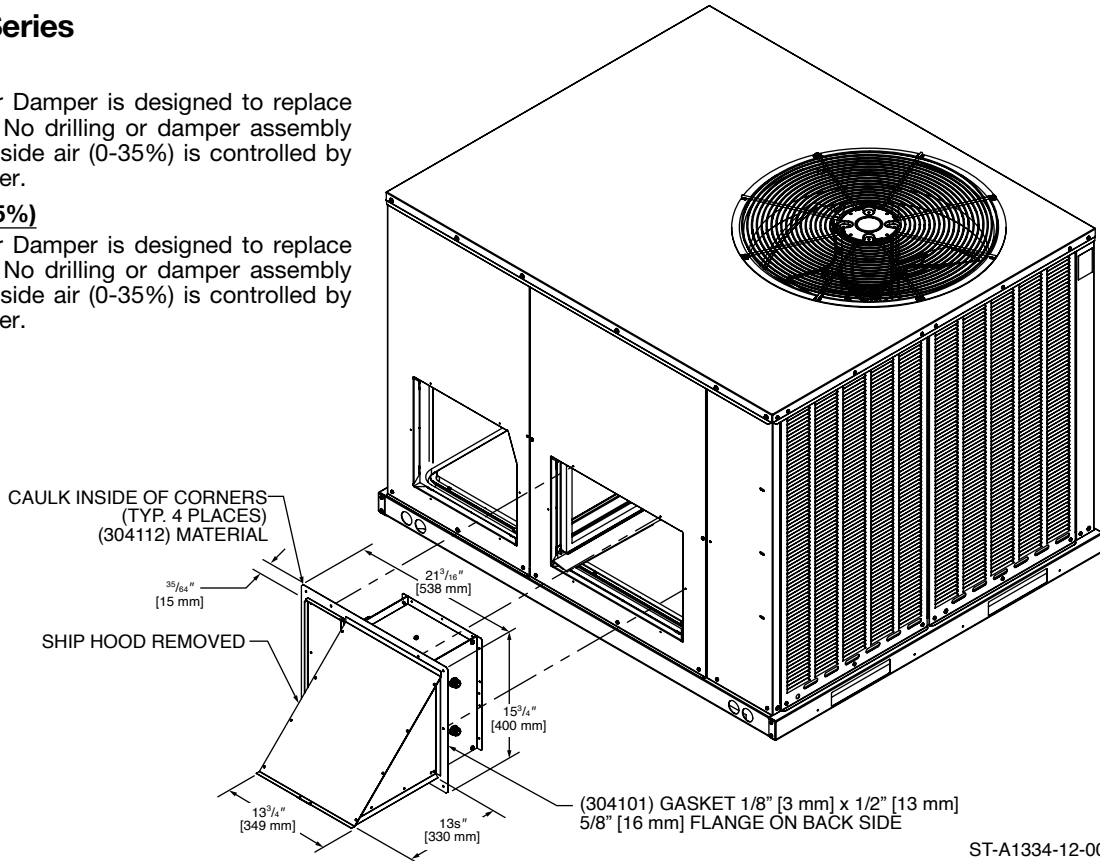
For use on RHPXZR- Series

RXRF-FAA2 (Fixed - 0-35%)

The 0-35% manual outside Air Damper is designed to replace the unit return air duct cover. No drilling or damper assembly is required. The amount of outside air (0-35%) is controlled by simply adjusting the side damper.

RXRF-FAB2 (Motorized - 0-35%)

The 0-35% manual outside Air Damper is designed to replace the unit return air duct cover. No drilling or damper assembly is required. The amount of outside air (0-35%) is controlled by simply adjusting the side damper.



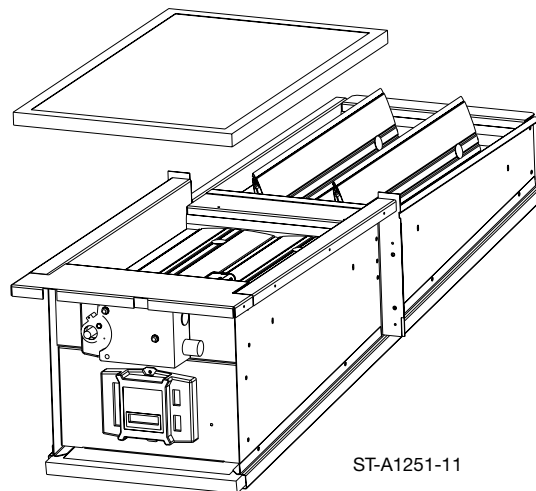
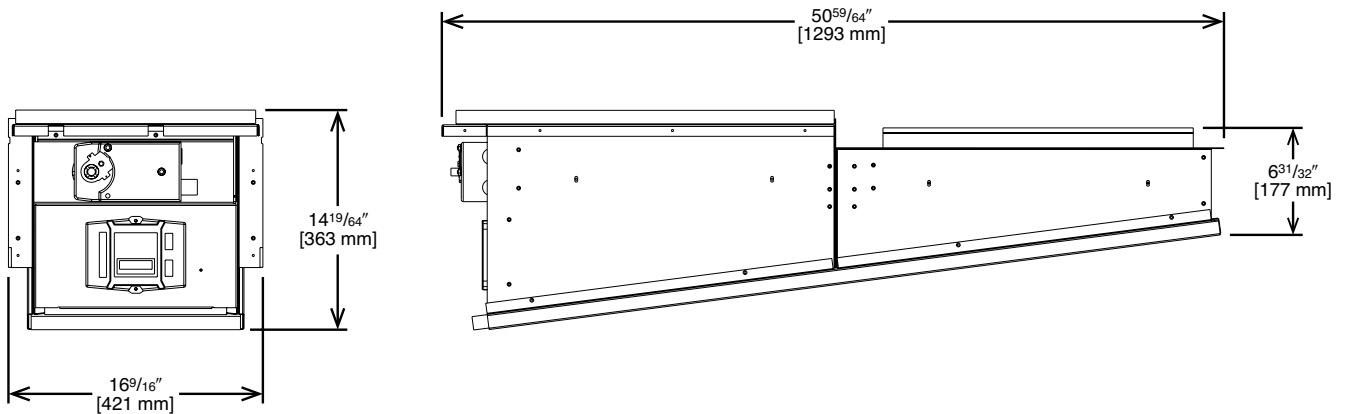
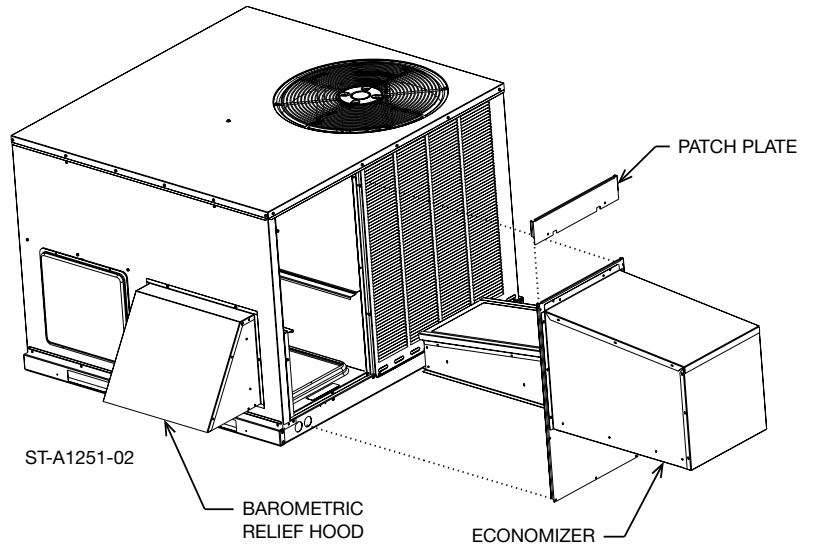
[] Designates Metric Conversions

ST-A1334-12-00

ECONOMIZER

For use on RHPAZR- Series AXRD-01RACAM3 (Fully Modulating)
Horizontally and Vertically Applicable

- LCD Screen for Continuous diagnostic and system status
- Programmable set points for accurate positioning
- Simplified wiring and color coded terminals
- Onboard fault detection and diagnostics (FDD)
- Operational Checkout to verify installation
- Enthalpy sensors and actuator that communicate through a Sylk Bus Network with the Jade Controller reducing wiring errors while providing more information
- CO₂ sensor input for DCV (Demand Control Ventilation) applications
- RXRX-AV04 Dual Enthalpy kit available for field installation
- AMCA licensed class 1A low leak Dampers



[] Designates Metric Conversions

ECONOMIZER

For use on RHPXZR- Series RXRE-11RXCAM3

- LCD Screen for Continuous diagnostic and system status
- Programmable set points for accurate positioning
- Simplified wiring and color coded terminals
- Onboard fault detection and diagnostics (FDD)
- Operational Checkout to verify installation
- Enthalpy sensors and actuator that communicate with Siemens controller reducing wiring errors while providing more information
- Setup and configure the economizer controller before putting it into usage by using the Climatix Mobile app or the inbuilt display
- CO2 sensor input for demand control ventilation (DCV) applications
- RXRX-BV03 dual enthalpy kit available for field installation
- AMCA licensed class 1A low leak dampers

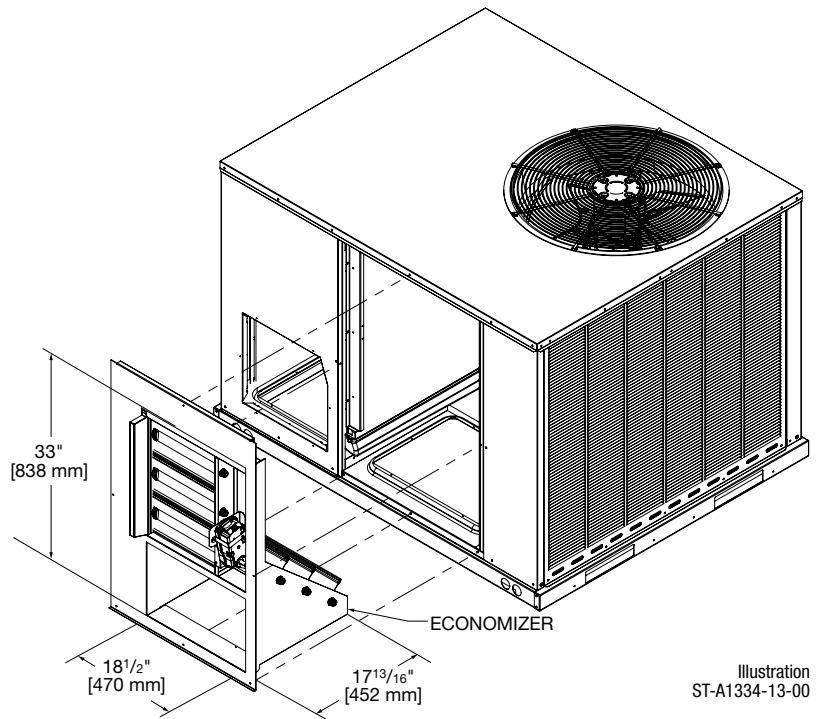


Illustration
ST-A1334-13-00

VERTICAL APPLICATION

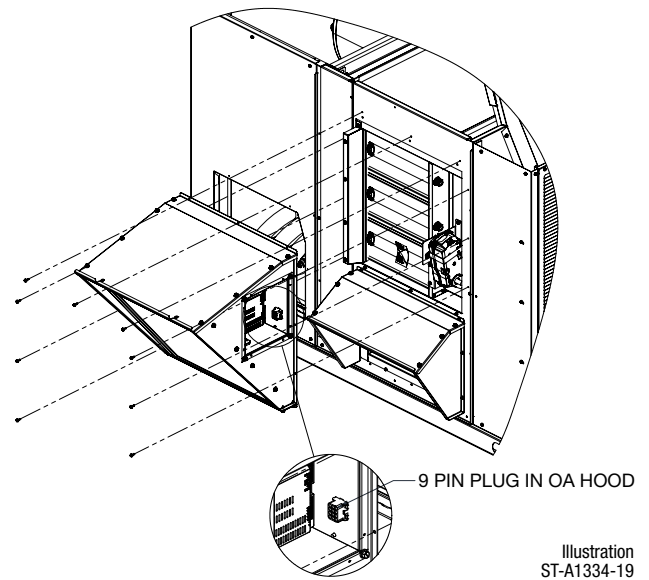
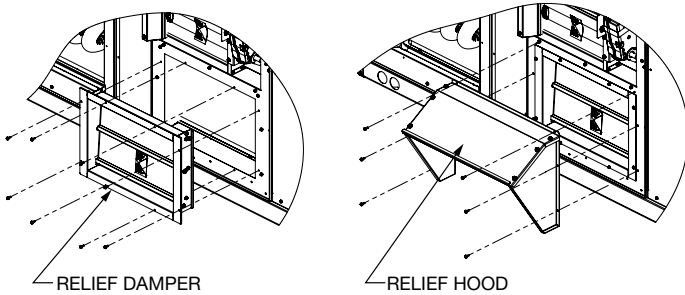


Illustration
ST-A1334-19

HORIZONTAL APPLICATION

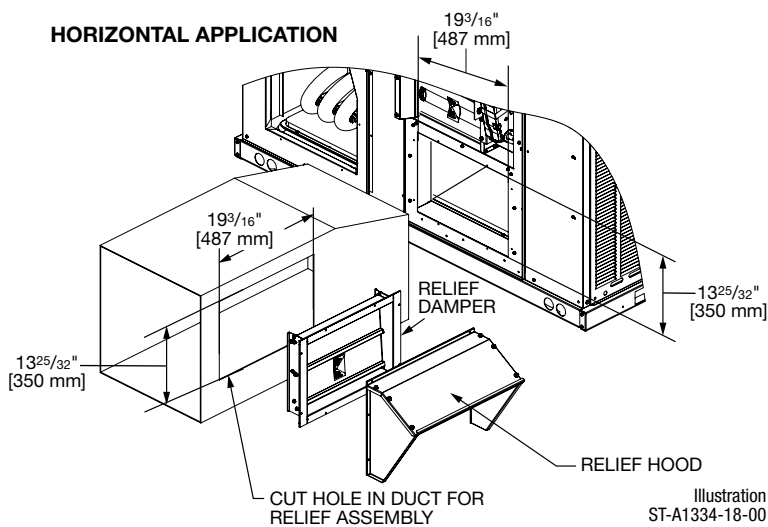


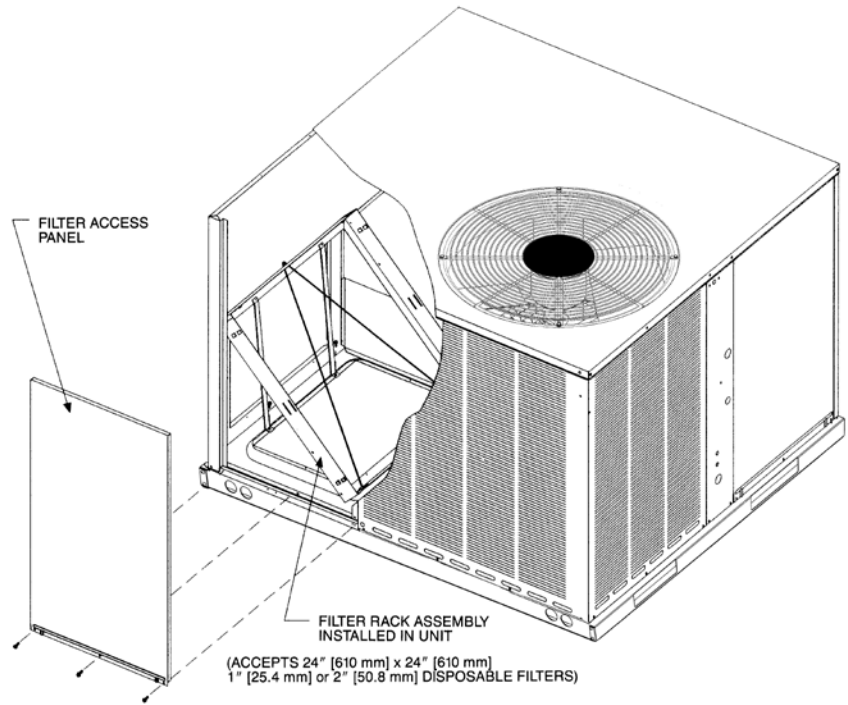
Illustration
ST-A1334-18-00

[] Designates Metric Conversions

FILTER KIT INSTALLATION

RXRY-B01

For use in either vertical or horizontal discharge with the “A” cabinet



Airflow Pressure Drop, Inches W.C. [kPa]		
CFM [L/s]	1" Filter	2" Filter
500 [236]	.02 [.0050]	.03 [.0075]
600 [283]	.02 [.0050]	.03 [.0075]
700 [330]	.03 [.0075]	.04 [.0010]
800 [378]	.04 [.0010]	.05 [.0124]
900 [425]	.05 [.0124]	.06 [.0149]
1000 [472]	.07 [.0174]	.08 [.0199]
1100 [519]	.08 [.0199]	.09 [.0224]
1200 [566]	.10 [.0249]	.12 [.0299]
1300 [614]	.13 [.0324]	.15 [.0373]
1400 [661]	.16 [.0398]	.19 [.0473]
1500 [708]	.19 [.0473]	.21 [.0523]
1600 [755]	.20 [.0498]	.23 [.0572]
1700 [802]	.21 [.0523]	.24 [.0598]
1800 [850]	.22 [.0548]	.25 [.0623]
1900 [897]	.24 [.0598]	.27 [.0672]
2000 [944]	.26 [.0647]	.29 [.0722]

[] Designates Metric Conversions

FILTER KIT INSTALLATION RXRY-B02

For use in either vertical or horizontal discharge with the "X" cabinet

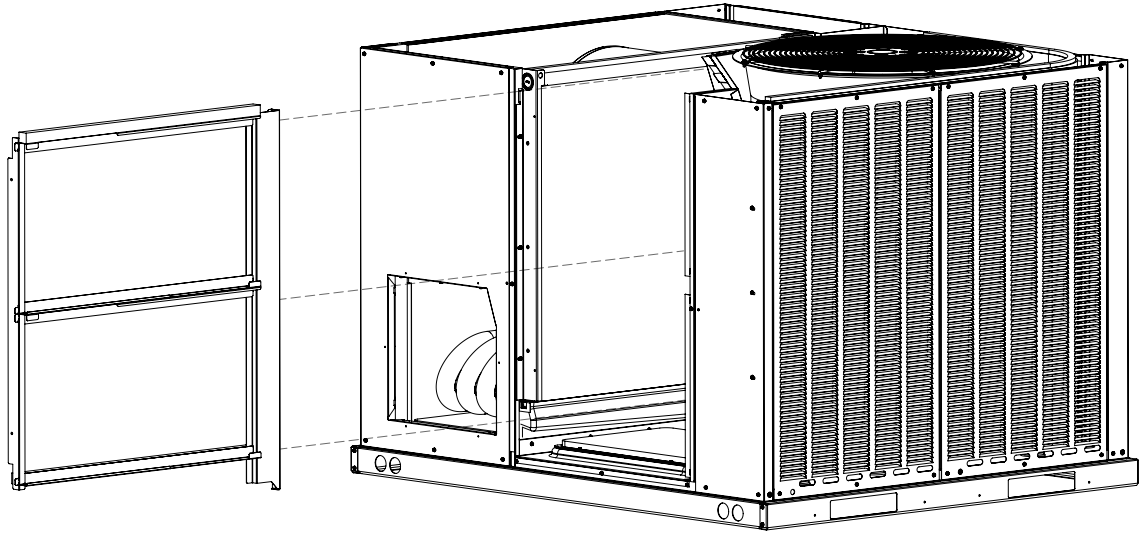


Illustration
ST-A1352-01-00

Airflow Pressure Drop (1" filter)	
CFM [L/s]	Inches W.C. [kPa]
600 [283]	0.01 [0.002]
800 [378]	0.01 [0.002]
1000 [472]	0.02 [0.005]
1200 [566]	0.03 [0.008]
1400 [661]	0.05 [0.012]
1600 [755]	0.07 [0.017]
1800 [850]	0.08 [0.021]
2000 [944]	0.10 [0.026]

[] Designates Metric Conversions



GENERAL TERMS OF LIMITED WARRANTY*

Russell® By Rheem will furnish a replacement for any part of this product which fails in normal use and service within the applicable periods stated, in accordance with the terms of the limited warranty.

***For complete details of the Limited and Conditional Warranties, including applicable terms and conditions, contact your local contractor or the Manufacturer for a copy of the product warranty certificate.**

Compressor

1 Phase, Residential Applications.....Ten (10) Years
1 & 3 Phase, Commercial Applications.....Five (5) Years

Parts

Residential Applications
(Registration Required) Ten (10) Years
Commercial Applications..... One (1) Year

Trademarks are property of their respective owners.

In keeping with its policy of continuous progress and product improvement, Russell by Rheem reserves the right to make changes without notice.



Russell® By Rheem

5600 Old Greenwood Road, Fort Smith, AR 72908

Before proceeding with installation, refer to installation instructions packaged with each model, as well as complying with all Federal, State, Provincial, and Local codes, regulations, and practices.

PRINTED IN U.S.A. 11/24 QG FORM NO. PRR-855