



The new degree of comfort.™

# SUBMITTAL COVER SHEET

PROJECT NAME \_\_\_\_\_

LOCATION \_\_\_\_\_

ARCHITECT \_\_\_\_\_

ENGINEER \_\_\_\_\_

CONTRACTOR \_\_\_\_\_

SUBMITTED BY \_\_\_\_\_ DATE \_\_\_\_\_

## UNIT SUMMARY

Quantity						
Unit Designation						
Model No.						
Total Cooling						
Sensible Cooling						
Air Ent. Evaporator						
Air Lvg. Evaporator						
Heating Input						
Heating Output						
CFM/ESP						
EER/SEER						
Electrical						
Minimum Ampacity						
Min.-Max. Breaker						
Net Unit Weight						
Accessory						
Catalog Form Number						

**ACCESSORIES:**

**NOTES:**





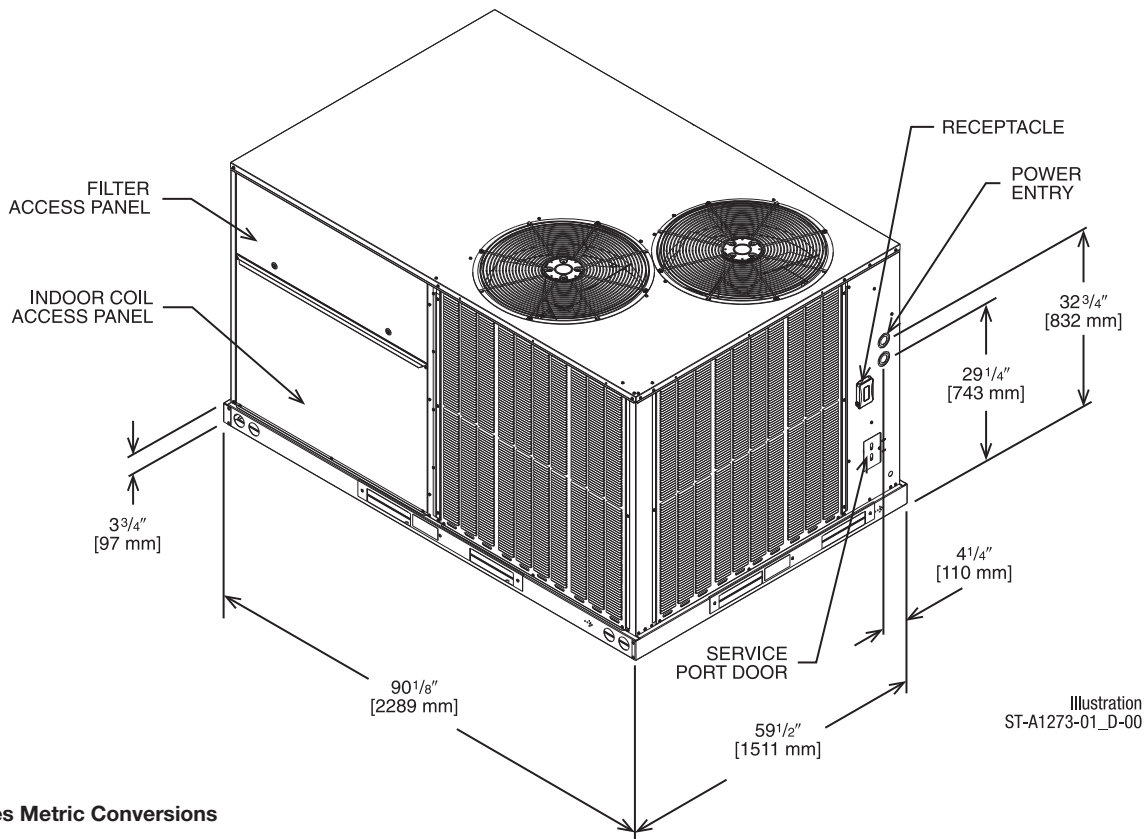
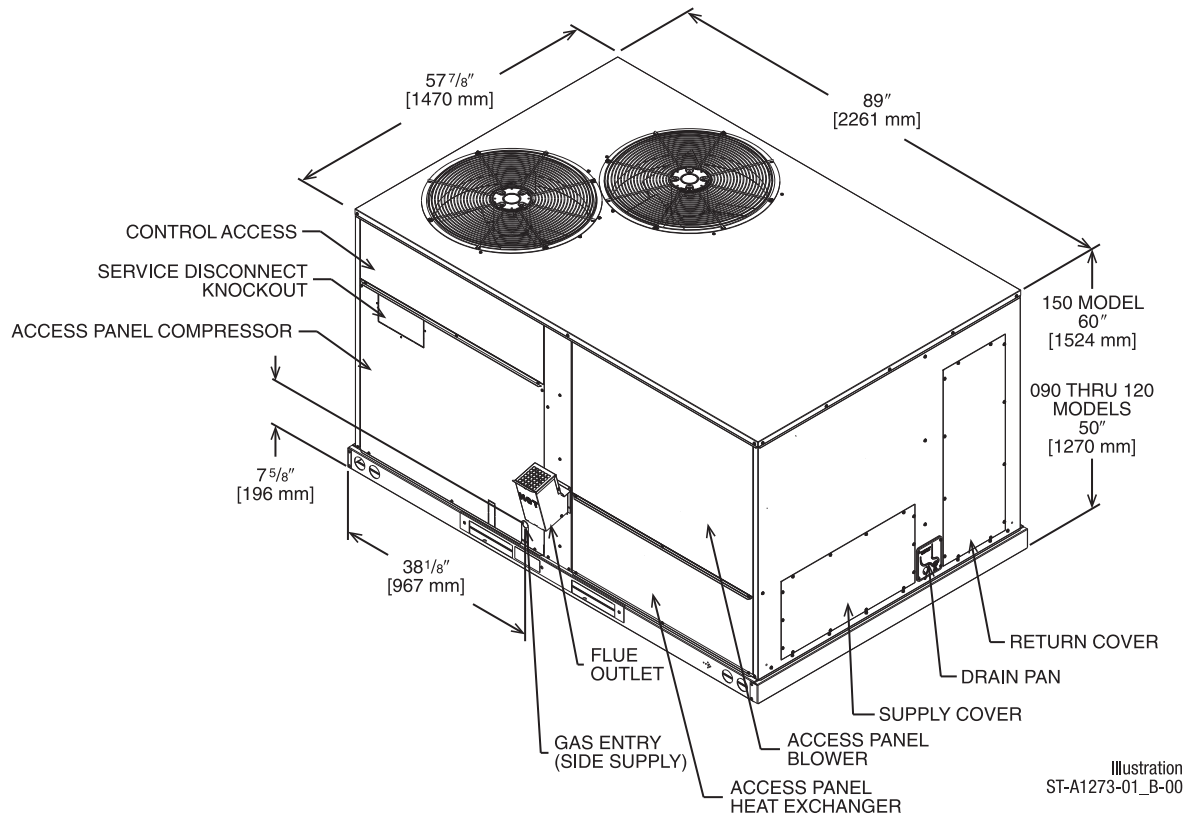


## TIER COMPARISON

	Single-Stage Cooling	Two-Stage Cooling	2018 DOE Efficiency Standards Compliant	2023 DOE Efficiency Standards Compliant	VFD Technology	HumidiDry™
<i>Commercial Prestige® Series (RGEDZT)</i>		X	X	X	X	X (Optional)
<i>Commercial Classic Plus® Series (RGEDZS)</i>		X	X		X (Optional)	X (Optional)
<i>Commercial Classic® Series (RGEDZR)</i>	X		X		Not Available	Not Available

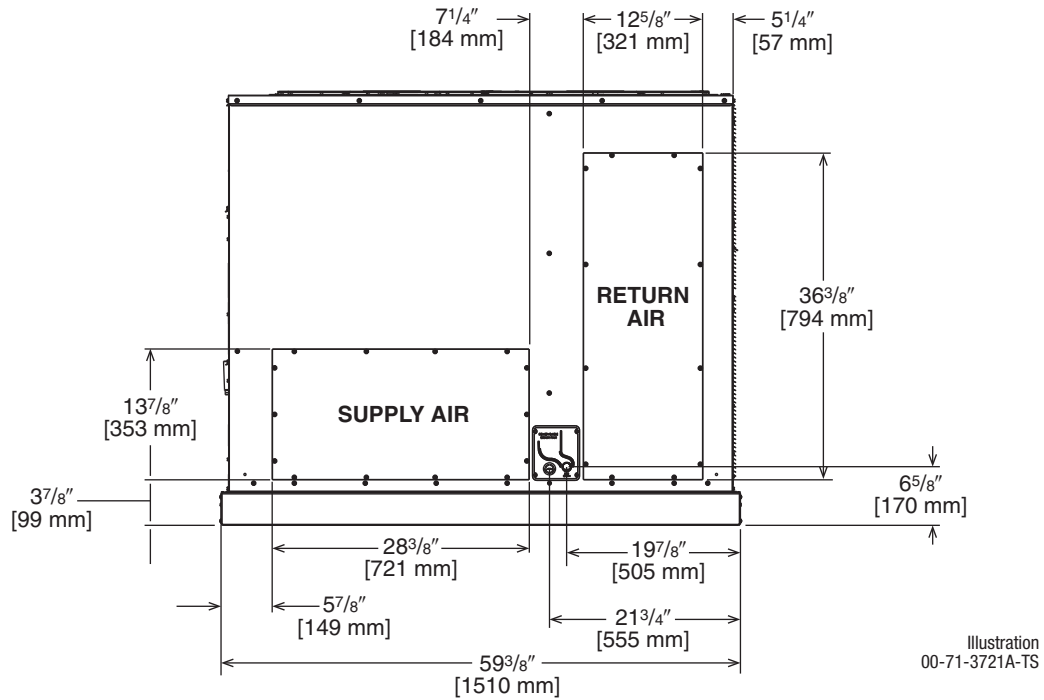
## RGED STANDARD FEATURES INCLUDE:

- Factory charged with R-410A HFC refrigerant
- Wired and run tested
- Scroll compressors with internal line break overload and high pressure protection
- Model RGEDZR has a single-stage compressor
- Models RGEDZS and RGEDZT have two-stage compressor
- Convertible airflow – vertical down flow or horizontal side flow
- Single-point electrical connections
- Forkable base rails for easy handling and lifting
- Cooling operation up to 125°F ambient
- Two-stage gas heat input with direct spark ignition system, solid state furnace controls, and optimized induced draft combustion
- MicroChannel evaporator and condenser coil
- PlusOne® ServiceSmart package includes:
- PlusOne® ServiceSmart package includes:
  - Qwik-Change Flex-Fit Rack
  - Qwik-Slide Blower Assembly
  - Qwik-Clean Drain Pan With Standard Overflow Switch
- PlusOne® Diagnostics with Dual 7-Segment LED Display
- One-piece top cover and one-piece base pan with drawn supply and return opening
- Two-piece control door
- ¼ turn fasteners on filter access door
- Color-coded and labeled wiring
- External lockable gauge ports
- TXV refrigerant metering system
- Solid-core liquid line filter drier
- High pressure and low pressure/loss of charge protection
- Insulation encapsulated throughout entire unit
- High performance belt drive motor with variable pitch pulleys and quick adjust belt system
- Variable Frequency Drive (VFD) blower is standard on Model RGEDZT and optional on model RGEDZS
- New product footprint with matching connections
- Improved factory lead times

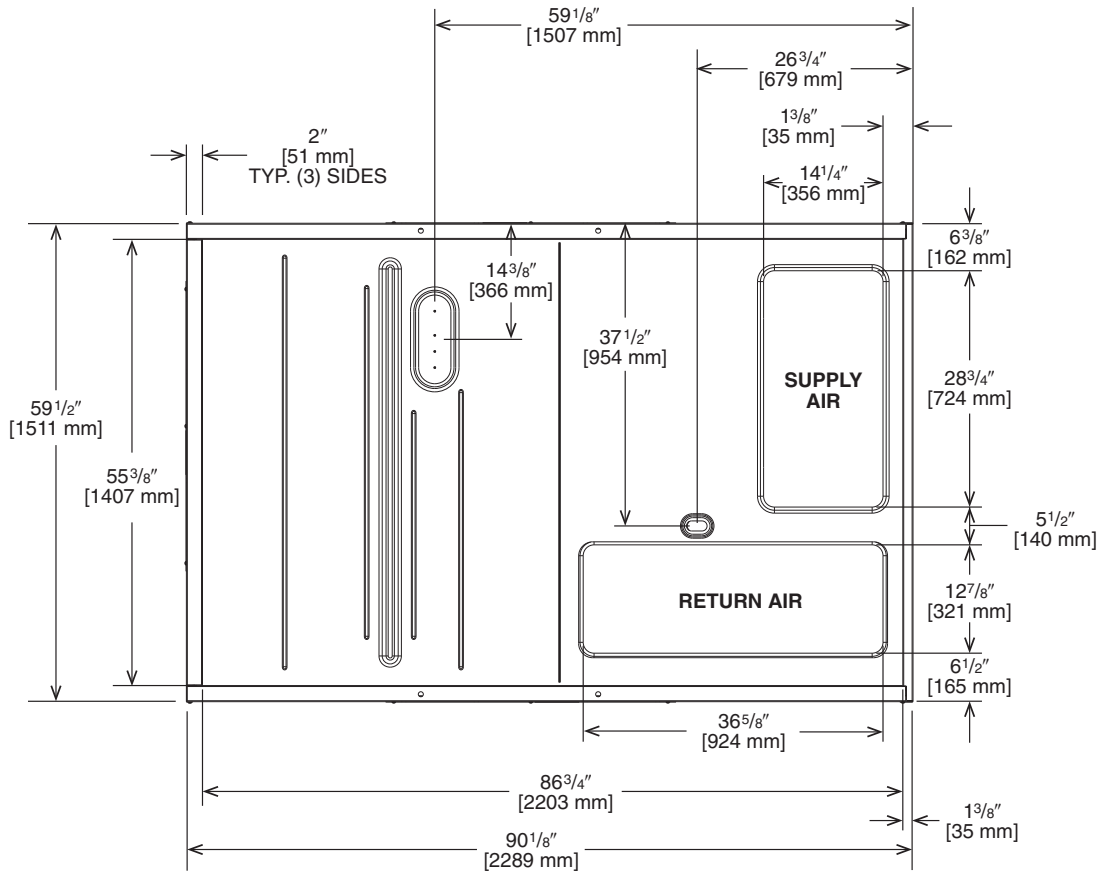


[ ] Designates Metric Conversions

**SUPPLY AND RETURN DIMENSIONS FOR HORIZONTAL APPLICATIONS**



**SUPPLY AND RETURN DIMENSIONS FOR DOWNFLOW APPLICATIONS**



[ ] Designates Metric Conversions