



Light Duty Hybrid Electric Commercial water heaters are available in 40, 50, 65 and 80-gallon capacities & are the most efficient water heaters available

Efficiency

- Up to 4.07 UEF reduces operating cost
- ENERGY STAR® rated
- Title 24 Compliant (JA13 Ready)

Performance

- Delivers hot water faster than most standard electric water heaters
- Ambient operating range: 37-145° F is widest in class, offering more days of HP operation annually; designed to meet Northern Climate Spec (Tier 4)

Easy Installation

- Universal top and side water connections
- Duct ready design
- Quick access to electrical junction box
- Easily replaces a standard electric water heater

Integration

- Electronic control for easy temperature adjustment and mode management
- Audible alarm for service alerts
- Integrated Wi-Fi powered by EcoNet® technology* and free mobile app gives users control over water heater, allowing for customizable temperature, vacation settings, energy savings and system monitoring at home or away
- Demand Response Ready with built-in EcoPort/ CTA-2045 port
- LeakGuard™ and LeakSense™ Ready — Easily add leak detection and prevention with leak sensor and shutoff valve upgrade kit

Operation Modes

- Energy Saver
- Heat Pump
- High Demand
- Electric
- Vacation/Away: 2-28 days (or placed on hold indefinitely)

Plus...

- Premium grade anode rod with resistor extends the life of the tank
- Dip tube diffuser reduces sediment improving efficiency and tank life
- 3/4" NPT water inlet and outlet; 3/4" condensate drain connections
- Incoloy stainless steel resistor elements
- Dry-fire protection
- Easy access, top mounted washable air filter
- 2" Non-CFC foam insulation
- Enhanced flow brass drain valve
- Temperature and pressure relief valve installed
- Design certified to NSF/ANSI 372 (Lead Content)

Warranty

- 3-Year limited tank and parts warranty

See Commercial Warranty Certificate for complete information

Efficiency | Units meet or exceed ANSI requirements and have been tested according to D.O.E. procedures. Units meet or exceed the energy efficiency requirements of NAECA, ASHRAE standard 90, ICC Code and all state energy efficiency performance criteria.

Safety and Construction | Safety and Construction: These products are design certified by Underwriters Laboratories (UL) as electric storage tank water heaters. All models are North Carolina and Massachusetts Code compliant. **Certified for a 150 PSI Maximum Working Pressure.**



Ruud Commercial Electric Hybrid
40, 50, 65 & 80-Gallon Capacities
208-240 Volt / 1 PH
Electric



These products meet a stringent set of our internally defined sustainability standards.



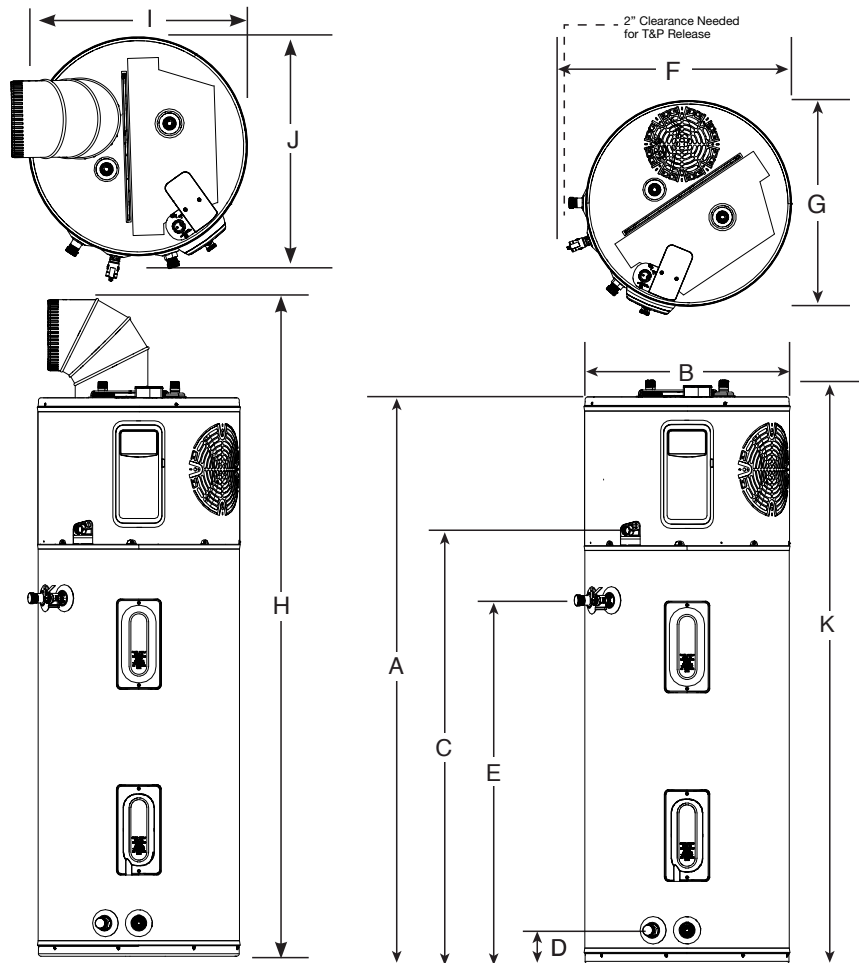
LEED Points = 3

*WiFi broadband internet connection required.

Specifications

DESCRIPTION					ENERGY INFO	FEATURES						SHIPPING WEIGHTS	
NOMINAL GALLON CAPACITY	RATED GALLON CAPACITY	MODEL NUMBER	MODEL VARIANT	ELECTRIC BREAKER SIZE	UNIFORM ENERGY FACTOR (UEF)	COMPRESSOR BTU/H	FIRST HR. RATING (GALLONS)	RECOVERY IN G.P.H 90° F RISE	ELEMENT WATTAGE	TOTAL UNIT WATTAGE	MAX AMPS	UNIT WT. (LBS)	APPROX. SHIP WT. (LBS.)
40	36	HPLD40-2RU	703803	30	3.83	4,200	60	27	4,500	5,000	21	166	184
50	45	HPLD50-2RU	703804	30	3.88	4,200	67	27	4,500	5,000	21	185	203
65	59	HPLD65-2RU	703805	30	4.05	4,200	75	27	4,500	5,000	21	245	289
80	72	HPLD80-2RU	703806	30	4.07	4,200	87	27	4,500	5,000	21	261	306

Uniform Energy Factor and rated gallon capacity based on Department of Energy (DOE) requirements. All units have integrated Wi-Fi control board.



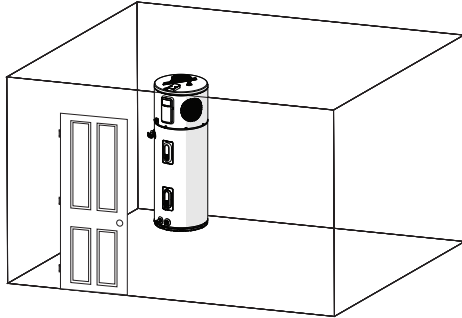
DESCRIPTION		DIMENSIONS (SHOWN IN INCHES)										
NOMINAL GALLON CAPACITY	MODEL NUMBER	A	B	C	D	E	F	G	H	I	J	K
40	HPLD40-2RU	62-5/16	20-1/4	47	3-5/8	39-5/8	25-3/8	20-1/2	78-7/8	20-1/4	21-3/4	64-15/16
50	HPLD50-2RU	61-3/4	22-1/4	47	3-5/8	39-5/8	27-3/8	22-1/2	78-5/8	22-1/4	21-3/4	64-3/8
65	HPLD65-2RU	64-3/16	24-1/4	49	3-7/8	42-3/8	29-1/2	24-5/8	81-1/8	24-1/4	25-13/16	66-13/16
80	HPLD80-2RU	74-3/16	24-1/4	59	3-7/8	42-3/8	29-1/2	24-5/8	91	24-1/4	25-11/16	76-13/16

Hybrid Electric Heat Pump Water Heater Installation Guidelines to Provide Optimal Efficiency

Heater: Not Ducted

Room size: Larger than 700 ft³
(e.g. 7' x 10' x 10').

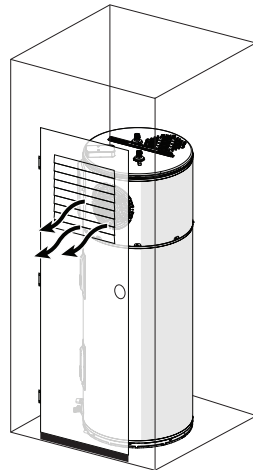
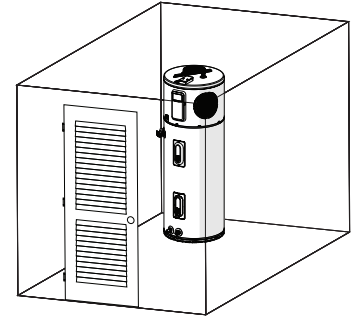
Requirements:
No additional ventilation needed



Heater: Not Ducted

Room size: Smaller than 700 ft³
(e.g. 7' x 10' x 10').

Requirements:
Full louvered door OR
two louvers top and bottom¹



Heater: Not Ducted

Room: Small Closet

Requirements:

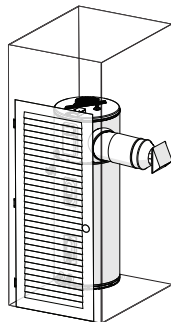
- Air gap under door equal to 18 in² (0.75" clearance)
- Louver must be located the same height on door as the air exhaust on heater
- Heater air exhaust must be positioned towards louver within one foot of door

PLEASE NOTE: For all non-ducted applications, ensure that the air exhaust vent is oriented to be at least 6" from any walls or solid surfaces to ensure proper dissipation of cooled air.

Heater: Ducted With Inlet or Outlet Duct

Room size:
For all closet installations
(size smaller than 400 ft³)

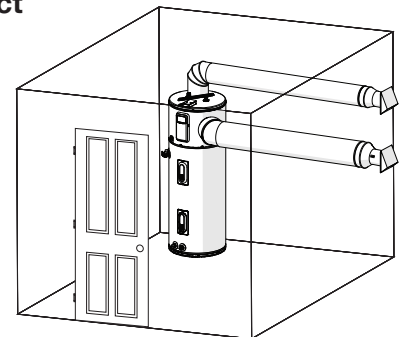
Requirements:
Full louvered door²



Heater: Ducted With Inlet and Outlet Duct

Room size:
Any size room

Requirements:
No additional ventilation needed



MINIMUM CLEARANCES (WITHOUT DUCTING)		
REAR	SIDES	TOP
0"	0"	6"

FOR EASIER SERVICEABILITY		
REAR	SIDES	TOP
6"	6"	6"

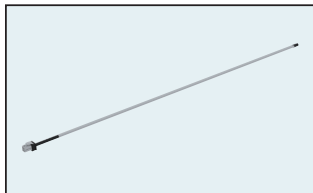
PLEASE NOTE: Heat pump water heater will operate in rooms less than 700 ft³ down to 450 ft³ but at reduced energy efficiency and reduced performance output. Reduced energy efficiency and performance has not been evaluated by Ruud Manufacturing and not recommended for optimal performance of the unit.

¹Minimum louver free opening area required for not ducted room installation application will be 3.25 sq ft.

²Minimum louver free opening area required for ducted closet installation application will be 2.9 sq ft.

Hybrid Electric Heat Pump Accessories List

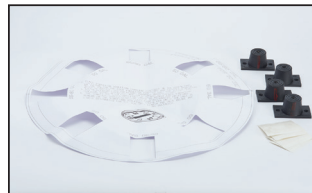
PART NUMBER	DESCRIPTION	USE FOR
AP19134	Leak Sensor	Automatic detection of internal and external leaks
AS50618A	Shutoff Valve	Automatic shut off of water supply to unit
SP20883	Vibration Isolation Kit	Installation on non-concrete floors
SP20884	8" Diameter UL Certified Termination Kit	Termination to the outside or to the attic with 8" diameter
SP20885	7" Diameter UL Certified Termination Kit	Termination to the outside or to the attic with 7" diameter
SP20886	6" Diameter UL Certified Termination Kit	Termination to the outside or to the attic with 6" diameter
SP20887	5" Diameter UL Certified Termination Kit	Termination to the outside or to the attic with 5" diameter
SP20888	8" Collar for Flex Venting	Exhaust only to the outside ducting configuration (no inlet duct)
SP20889	25' Flexible 8" Diameter Duct Kit	For up to 25' of ducting
SP20890	8" Rigid Elbow Duct Kit	Installation in tight places where space needs to be minimized
SP20882	Earthquake Isolation Kit	Metal band restraints for installation in seismic regions
FR-80	Little Firefighter Water Heater Front Restraint	High strength soft woven restraints for installation in seismic regions
UPGRADE KIT		
SP21265A	Kit - Automatic Shutoff Valve Assembly	Add leak detector, shutoff valve and S.O.V. extension harness for top connection setup



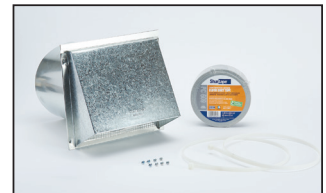
Leak Sensor



Shutoff Valve



Vibration Isolation Kit



8" Diameter UL Certified Termination Kit



7" Diameter UL Certified Termination Kit



6" Diameter UL Certified Termination Kit



5" Diameter UL Certified Termination Kit



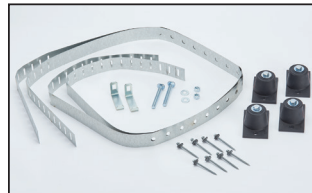
8" Collar for Flex Venting



25' Flexible 8" Diameter Duct Kit



8" Rigid Elbow Duct Kit

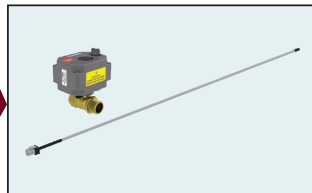


Earthquake Isolation Kit



FR-80

UPGRADE KIT – Add leak detector and shutoff valve to protect from water damage



Leak Sensor & Shutoff Valve Kit



Recommended Specifications (for trade reference only)

Water heater(s) shall be Hybrid Electric Commercial model _____, manufactured by Ruud, having a total unit output wattage of 5.7kW, with a heat pump heating capacity of 1.2kW, and an FHR of _____ and tested to a minimum UEF of 3.83. Water heater(s) shall have a storage capacity of _____ gallons. Water heater(s) shall have the UL seal of certification and be factory equipped with an CSA/ ASME rated temperature and pressure relief valve. Water heater(s) shall be equipped with an integrated heat pump water heating system, electronically controlled with five modes of operation. Those modes being Energy Saver, Heat Pump, High Demand, Electric, and Vacation/Away. The heat pump shall have an ambient air operating temperature range of 37°F to 145°F and meet Northern Climate Spec Tier

4. The control shall be integrated with built in Wi-Fi, allowing for remote control and monitoring. The control shall support demand response, being Title 24 Compliant (JA13 Ready) and having a built-in CTA-2045 adapter. Water heater(s) shall require zero clearance from the rear and sides, with a 6" clearance from the top, and 2" clearance for T&P release. Tank(s) interior shall be coated with a high temperature porcelain enamel and furnished with a magnesium anode rod rigidly supported. Water heater(s) shall meet or exceed the energy factor requirements of ASHRAE. Tanks shall have a working pressure rating of 150 psi, and shall be completely assembled. Water heater(s) shall be equipped with copper, resistored, "screw-in" type elements. Tank shall be insulated with 2" of rigid polyurethane foam insulation. Water heater(s) shall be covered by a three year limited warranty against tank leaks.

In keeping with its policy of continuous progress and product improvement, Ruud reserves the right to make changes without notice.

Ruud Water Heating • 1115 Northmeadow Parkway, Suite 100, Roswell, Georgia 30076 • www.ruud.com