



# Table of Contents

General Terms and Conditions.....	3
Contact Information.....	4
Parts Kits.....	5
Tankless Accessories.....	6-10
Tankless Venting.....	11-14
Common Venting for Commercial Tankless.....	15-19
Parts for RTGH-RH10DVL, RTGH-RH11DVL Series.....	20-21
Parts for RTGH-68DVL-2, RTGH-84DVL-1 or 2, RTGH-90DVL-1 or 2, RTGH-95DVL-1 or 2 Series.....	22-23
Parts for RTGH-68XL-2, RTGH-84XL-1 or 2, RTGH-90XL-1 or 2, RTGH-95XL-1 or 2 Series.....	24-25
Parts for Commercial RTGH-C95DVL, RTGH-CM95DVL Series.....	26-27
Parts for Commercial RTGH-C95XL, RTGH-CM95XL Series.....	28-29
Parts for RTG-64DVL-1, RTG-70DVL-1, RTG-84DVL-1, RTG-95DVL-1 Series.....	30-31
Parts for RTG-64XL-1, RTG-70XL-1, RTG-84XL-1, RTG-95XL-1 Series.....	32-33
Parts for RTGH-84 RTGH-90, RTGH-95 DV & DVL Series (out of production).....	34-35
Parts for RTGH-84, RTGH-90, RTGH-95 X & XL Series (out of production).....	36-37
Parts for RTG-64, RTG-84, RTG-95, DV and DVL Series (out of production).....	38-39
Parts for RTG-64, RTG-84, RTG-95, X and XL Series (out of production).....	40-41
Parts for RTG-53DV Series (out of production).....	42-43
Parts for RTG-53X Series (out of production).....	44-45
Parts for RTG-53PV and RTG2-42PV Series (out of production).....	46-47
Parts for RTG-66DV Series (out of production).....	48-49
Parts for RTG-66X Series (out of production).....	50-51
Parts for RTG-74DV and GT-199DV Series (out of production).....	52-53
Parts for RTG-74X and GT-199X Series (out of production).....	54-55
Parts for RTG-74PV and GT-199PV Series (out of production).....	56-57
Parts for First Generation RTG-42PV Series (out of production).....	58
Tankless Model Cross Reference.....	59-61

# General Terms and Conditions

## A comprehensive catalog of approved replacement parts

for Rheem®, Ruud®, Rheem®-Ruud®, Richmond®, EcoSense™, Paloma®, EcoSmart, WaiWela and Raypack tankless gas water heaters\*.

### Freight Allowance

Please see the Tankless Parts and Accessories Price Sheet for Freight Allowances.

### Taxes

Prices are subject to the addition of any tax imposed by any present or future Federal, State, County or Municipal law on the sale of such material, unless we have a tax exemption certificate on file.

### Acceptance of Orders

All orders are subject to final approval on the terms and conditions contained in our standard customer acknowledgment form.

### Materials Return

Saleable, current component parts in a new or unused condition must have prior authorization by the Parts Packaging Supervisor or Customer Service before being returned. Parts may only be considered for return within 90 days from the original invoice date. Invoice numbers must be provided to Customer Service prior to obtaining a return authorization number. All parts returned without prior authorization will be destroyed or sent back to the sender at their expense. All returns will be subject to our inspection and a 25% restocking charge. Returned parts that are damaged or in a condition that prevents resale will not be credited. Service/Warranty Parts returned in accordance with warranty claim provisions do not require prior authorization, but will be subject to our inspection. See Price Sheet for Additional Conditions.

### Parts Warranty

All tankless service parts are warranted for the remainder of the parts warranty covering the product they are being used to service. If no warranty is remaining on said product then the warranty will be for a period of 90 days from the date of purchase. Contact Technical Service for warranty information.

### Accessories Warranty

All tankless accessories are warranted for a period of 1 year from the date of original purchase unless covered by a manufacturers warranty. Contact Technical Service for warranty information.

**NOTE:** *Tankless parts are excluded from all wholesaler volume discounts.*

### Tankless Water Heater Unit Conversions

- \* For Ruud, replace RTG with RUTG
- \* For Richmond, replace RTG with RMTG
- \* For all other brands, see cross reference on pages 59 - 61.

# CONTACT INFORMATION

## TANKLESS GAS:

### Customer Service

Phone: 800.621.5622

### Product Information/Online Lookup

[rheemparts.com](http://rheemparts.com)

### Warranty

[customerservice@rheem.com](mailto:customerservice@rheem.com)

### Technical Service

[techanalyst@rheem.com](mailto:techanalyst@rheem.com)

### To Place an Order

Phone: 800.621.5622

Fax: 800.535.9538

## ECONET®:

### Technical Support

Phone: 800.255.2388

Monday - Friday, 8am - 8pm, EST

## TANKLESS ELECTRIC:

### Customer/Technical Support

800.347.8806

### Hours of Operation

Monday - Friday, 9am - 5pm, EST

Email: [support@rheemtankless.us](mailto:support@rheemtankless.us)



Based in Randleman, North Carolina with an 185,000 sq. ft. distribution center, the Replacement Parts Division provides products and services including the support of new equipment sales by providing OEM and replacement parts for Rheem equipment. To better support the entire country with faster delivery times and better stock levels, a second, 90,000 sq. ft. warehouse is located in West Valley, UT, primarily serving the west coast with their service parts and accessory needs. In addition to OEM, we sell and market aftermarket parts and products that are included in the installation, maintenance and servicing of HVAC equipment, water heaters and other residential power equipment.

# Tankless Gas Water Heater Parts Kits

## for Rheem Tankless Water Heaters

### Rheem Tankless Gas Water Heater Service Parts Kits –

These kits, designed with the contractor in mind, provide all the basic parts necessary for a complete repair of a Rheem tankless gas water heater.

**PROTECH PD966349** - Mid-Efficiency direct vent models  
(RTG-95DVL-1, RTG-84DVL-1, RTG-64DVL-1)

**PROTECH PD966350** - Mid-Efficiency outdoor models  
(RTG-95XL-1, RTG-84XL-1, RTG-64XL-1)

**PROTECH PD966351** - Condensing -1 models  
(RTGH-95DVL-1, RTGH-90DVL-1, RTGH-84DVL-1)  
(RTGH-95XL-1, RTGH-90XL-1, RTGH-84XL-1)  
(RTGH-C95DVL, RTGH-C95XL,  
RTGH-CM95DVL, RTGH-CM95XL)

**PROTECH PD966377** - Condensing -2 models  
(RTGH-95DVL-2, RTGH-90DVL-2,  
RTGH-84DVL-2, RTGH-68DVL-2)  
(RTGH-95XL-2, RTGH-90XL-2,  
RTGH-84XL-2, RTGH-68XL-2)

**PROTECH PD966376** - Condensing  
models with built-in recirculation  
(RTGH-RH models)

These kits include tankless replacement parts, such as:

Control Board	Gas Inlet Connector
Thermistors	Blower Motor
Gas Valve	Water Control Valves
Flame Rods	Drain Plug
Flame Rod Wires	Inlet Water Filter
Ignitor Coil	Screw Kit
Ignitor Rod	O-ring Kit
Gas Valve Assembly	

For full list of replacement parts, visit [Rheemparts.com](http://Rheemparts.com)

# PROTECH™



### PROTECH Kits for Older Models:

**PROTECH PD966332** - Mid-Efficiency direct vent models (RTG-95DVL, RTG-84DVL, RTG-64DVL)

**PROTECH PD966333** - Mid-Efficiency outdoor models (RTG-95XL, RTG-84XL, RTG-64XL)

**PROTECH PD966334** - Condensing models (RTGH-95DVL, RTGH-90DVL, RTGH-84DVL)  
(RTGH-95XL, RTGH-90XL, RTGH-84XL)

# Tankless Accessories

## FINISH AND APPEARANCE

### Pipe Covers

Enhance an indoor or outdoor installation by concealing the piping beneath the water heater while protecting from tampering and weather conditions. All pipe covers have a grey finish to match the tankless heater.



MODEL NUMBER	DESCRIPTION	COMPATIBLE WITH
RTG20227	<b>Pipe Cover - Condensing Indoor &amp; Outdoor</b> 16-1/2" tall	All RTGH models (excluding RTGH-RH)
RTG20217DVG	<b>Pipe Cover - Mid-Efficiency Indoor</b> 16-1/2" tall	RTG-95DV, RTG-84DV, RTG-64DV, RTG-66DV models
RTG20217XG	<b>Pipe Cover - Mid-Efficiency Outdoor</b> 16-1/2" tall	RTG-95X, RTG-84X, RTG-64X, RTG-66X models
RTG20315*	<b>Pipe Cover - Condensing with Recirculation</b>	RTGH-RH models

\*This part is fulfilled through Rheem Water Heating Division. Not stocked at RPD.

### Recess Boxes

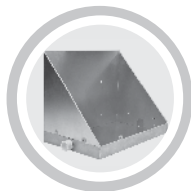
Enhance an outdoor installation by protecting the tankless unit from damage, tampering and weather. All recess boxes have a grey finish to match the tankless heater.



MODEL NUMBER	DESCRIPTION	COMPATIBLE WITH
RTG20226	<b>Recess Box - Condensing Outdoor</b> Rough in: 46" H, 19-1/2" W, 9-1/2" D	RTGH-84, RTGH-90, RTGH-95 X and XL models
RTG20253	<b>Recess Box - Condensing Outdoor, in Stucco</b> rough in: 46" H, 19-1/2" W, 9-1/2" D	RTGH-84, RTGH-90, RTGH-95 X and XL models
RTG20218	<b>Recess Box - Mid Efficiency Outdoor</b> Rough in: 42" H, 14-1/2" W, 8-1/2" D	RTG-64, RTG-84, RTG-95 X and XL models
RTG20248	<b>Recess Box - Mid Efficiency Outdoor, in Stucco</b> Rough in: 42" H, 14-1/2" W, 8-1/2" D	RTG-64XL, RTG-84XL, RTG-95XL models
RTG20243	<b>Recess Box - Mid Efficiency Indoor</b> Rough in: 42" H, 14-1/2" W, 8-1/2" D	RTG-95, RTG-84DVL, RTG-64 DV and DVL models
RTG20238	<b>Retrofit Kit for 74X Recess Box</b> Allows newer models to be used in first generation 74 Series without changing the box out. Includes: 2 brackets, hardware & instructions	RTG-95XL, RTG-84XL, RTG-64XL models
RTG20306	<b>Recess Box Door Kit - Condensing Outdoor</b>	All RTGH X models
RTG20307	<b>Recess Box Door Kit - Mid Efficiency Outdoor</b>	All RTG X models
RTG20308	<b>Recess Box Door Kit - Mid Efficiency Indoor</b>	All RTG DV models

### Drain Pan

For use under an indoor, wall-mounted tankless water heater to protect floors from potential water damage in the event of a leak.



MODEL NUMBER	DESCRIPTION	COMPATIBLE WITH
PD108505	<b>Stainless steel drain pan</b> Dimensions: 16-1/8" H, 21-1/2" W, 13-1/4" D	All RTG and RTGH models (excluding RTG-RC and RTGH-RH)

### Mounting

The flexible rack system is expandable to hold up to 20 units (with multiple racks) and can be used in three configurations: wall mounted or free standing side to side or back to back.



MODEL NUMBER	DESCRIPTION	COMPATIBLE WITH
RTG20304	<b>EZ-Rack Kit</b> - Easy to build rack for free-standing or wall-mounted tankless unit installations. Holds 1-2 units per rack.	All RTG and RTGH models, Indoor or Outdoor

# Tankless Accessories

## MAINTENANCE AND SERVICE

### Valves

Tankless Service Valves allow for easy maintenance and service, such as flushing, for any tankless water heater. Pressure Relief Valve provides protection against excessive water pressure.



MODEL NUMBER	DESCRIPTION	COMPATIBLE WITH
RTG20220AB	<b>Webstone Service Valves &amp; Pressure Relief Valve Kit</b> Contains hot and cold Webstone service valves plus Watts pressure relief valve.	All RTG and RTGH models, Indoor or Outdoor
RTG20264	<b>Webstone Cold Water Service Valve</b>	
RTG20265	<b>Webstone Hot Water Service Valve</b>	
RTG20267	<b>Valogin Cold Water Service Valve</b>	
RTG20268	<b>Valogin hot Water Service Valve</b>	
AP12993C	<b>Watts Pressure Relief Valve</b> Rated 150 PSI - 3/4" threads (included in RTG20220AB)	

### Flush Kit

Connects easily to tankless service valves for flushing the heat exchanger with white vinegar. Simple to use. Recommended flushing every 500 hours of use (1 to 1-1/2 years).



MODEL NUMBER	DESCRIPTION	COMPATIBLE WITH
RTG20124	Includes: 5-gallon bucket, submersible pump, and two hoses	All RTG and RTGH models, Indoor or Outdoor

### Water Treatment

Combat hard water and scale build-up. Unit features a clear housing allowing you to see when it's time to replace the cartridge.



MODEL NUMBER	DESCRIPTION	COMPATIBLE WITH
RTG20251	<b>AllClear™ Water Treatment System</b> Includes one cartridge	All RTG and RTGH models used for residential applications
RTG20252	<b>All Clear™ Replacement Cartridge</b>	

### Condensate Management

Condensing tankless water heaters produce condensate that must be neutralized for safe disposal. Many RTGH models feature built-in condensate neutralizer, RTGH-RH model requires external accessory. Also required for condensate produced in common venting in Commercial Tankless applications.



MODEL NUMBER	DESCRIPTION	COMPATIBLE WITH
SP12151	<b>External Condensate Neutralizer Accessory</b> With PVC connections	RTGH-RH models or Common Venting
AP16770	<b>Replacement Rocks for Condensate Neutralizer</b>	SP12151 External Accessory
RXGY-A01	<b>External Condensate Neutralizer Accessory</b> With flex tubing connections	RTGH-RH models or Common Venting

# Tankless Accessories

## TANKLESS CONTROLS

### Remote Control Options

Allow for easy temperature adjustment and maintenance information access. Connect up to 3 remote controls, one of each type, to your tankless system for maximum control from multiple locations in the home.



MODEL NUMBER	DESCRIPTION	COMPATIBLE WITH
RTG20006DW	<b>UMC-117 Main Remote Control</b> (generic)	Compatible with all RTG and RTGH models except RTGH-RH
RTG20006DU	<b>USC1-117 Bath Remote Control</b> (generic)	
RTG20006DV	<b>USC2-117 Second Bath Remote Control</b> (generic)	
RTG20009-1	<b>10-ft Thermostat Wire, 1 pair 18AWG</b>	

## RECIRCULATION

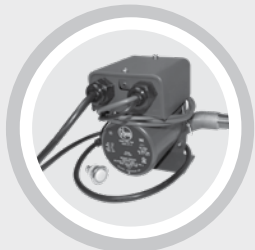
### Recirculation Pump Kits

Get faster hot water at the tap by adding a recirculation pump to your tankless or tank water heater system.

MODEL NUMBER	DESCRIPTION	COMPATIBLE WITH
AP17920	<b>Recirculation Pump Kit</b> (Timer Based)	All RTG and RTGH models (excluding RTG-RC and RTGH-RH variants)
AP18403	<b>Demand Pump Kit</b> Includes wired push button for activation	
AP18537	<b>Under the Sink Demand Pump Kit</b> Includes wired push button for activation	



AP17920



AP18403



AP18537

### On-Demand Recirculation Activation Accessories

For use with Demand Pump Kits and RTG-RC Tankless Gas Water Heaters.

MODEL NUMBER	DESCRIPTION	COMPATIBLE WITH
SP20861	<b>Wireless Remote Transmitter</b>	AP18403 and AP18537 Demand Pump Kits and RTG-RC Tankless Gas Water Heaters.
SP20862	<b>Motion Sensor Kit</b>	
SP20863	<b>Wired Push Button</b>	



SP20861



SP20862



SP20863



# Tankless Accessories

## RECIRCULATION CONTINUED

### Recirculation Activation Accessories

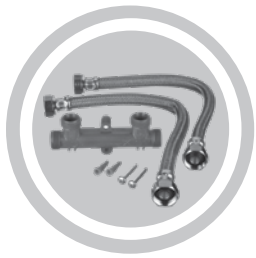
Converts RTGH-RH Tankless Gas Water Heaters to On-Demand Activation.



MODEL NUMBER	DESCRIPTION	COMPATIBLE WITH
SP20941	<b>On-Demand Activation Accessory</b>	RTGH-RH Models

### Crossover Valve

Converts existing cold water line to a return so no dedicated return line is required, allowing recirculation pump to be utilized with existing plumbing.



MODEL NUMBER	DESCRIPTION	COMPATIBLE WITH
RTG20285	Includes: Grundfos crossover valve, 2 tee fittings, instructions	Compatible with all demand pumps, RTG-RC and RTGH-RH models.

## ECONET® WIFI CONNECTIVITY

### EcoNet® Smart Home WiFi Control

Connect your tankless water heater to EcoNet for leak detection, auto shut-off, maintenance alerts, and temperature control from any smart device.



MODEL NUMBER	DESCRIPTION	COMPATIBLE WITH
REWRA630TWH	<b>EcoNet Translator &amp; WiFi Kit</b> Contains WiFi Module Kit and Translator Kit	All RTG and RTGH models (excluding RTGH-RH variants) from 2010 to present
PD415189	<b>EcoNet WiFi Module Kit</b> (WiFi module, power adaptor, VHB tape, RJ25 cable)	
PD415188	<b>EcoNet Translator Kit</b> (translator, jumper, leak cable & communication cable)	
PD415190	<b>EcoNet Leak Detection Cable</b> (leak detection sensor and harness)	
RCPN-AMP03-0013111101-0002	<b>RJ25 Communication Cable</b> 72 inches long	Any RTG or RTGH model with EcoNet Translator installed for manifolding or WiFi module connection
RCPN-AMP03-0013111101-0003	<b>RJ25 Communication Cable</b> 48 inches long	
RCPN-AMP03-0013111101-0004	<b>RJ25 Communication Cable</b> 240 inches long	

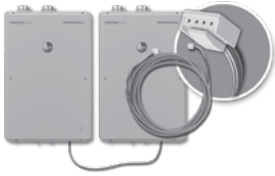
# Tankless Accessories

## MANIFOLD CONTROL SYSTEMS

Allow multiple identical RTG or RTGH tankless water heaters to be connected in a manifold. These kits allow multiple heaters to communicate and operate as a single system when one unit is not enough.

### Connect **TWO** Units

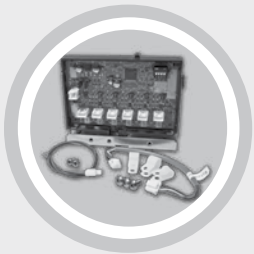
Connecting 2 units together requires just one (1) Cable.



MODEL NUMBER	DESCRIPTION	COMPATIBLE WITH
RTG20040	<b>EZ-Link™ Cable</b> 6-ft. cable with connectors and wire support clamps	RTG and RTGH models excluding -RH models
SP20892	<b>Quick Connect Cable</b>	RTGH-RH models only

### Connect up to **SIX** Units

Connecting up to 6 units together requires one (1) MIC-6 Manifold Controller for the system, plus one (1) Type Q Manifold Control Cable for each tankless unit connected.



MODEL NUMBER	DESCRIPTION	COMPATIBLE WITH
RTG20213A	<b>MIC-6 Manifold Controller System</b> Controller mounts inside a single tankless unit and connects to up to 5 additional units via Type Q cable for a total of 6	RTG and RTGH models excluding -RH models
RTG20213B*	<b>1-ft. MIC Control Cable (Type Q)</b>	
RTG20213C*	<b>6-ft. MIC Control Cable (Type Q)</b>	
RTG20213D*	<b>18-ft. MIC Control Cable (Type Q)</b>	

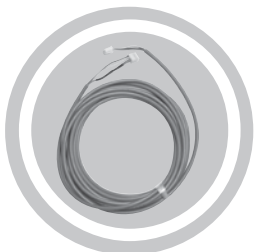
\*NOTE: These cables will not fit the MIC-185/MICS-180 System.

### Connect up to **TWENTY** Units

Connecting up to 20 units together requires one (1) MIC-185 Manifold Controller, and one (1) MICS-180 Manifold Expansion Card for the system, plus one (1) Type K Manifold Control Cable for each tankless unit connected.



MODEL NUMBER	DESCRIPTION	COMPATIBLE WITH
RTG20126A	<b>MIC-185 Manifold Controller System</b> Controller mounts in included installation cabinet indoors or outdoors with connection points for 6 units via Type K cables. Requires MICS-180 Expansion Card for 7-20 units	RTG and RTGH models excluding -RH models
RTG20126B	<b>MICS-180 Manifold Controller Expansion Card</b> Add to the MIC-185 for connection points for 7-20 units via Type K cables	
RTG20126W	<b>Replacement Manifold Control Board</b> For the MICS-180 or MIC-185 boards	
RTG20126C	<b>16-ft. MIC Control Cable (Type K)</b>	
RTG20126D	<b>32-ft. MIC Control Cable (Type K)</b>	
RTG20126E	<b>65-ft. MIC Control Cable (Type K)</b>	



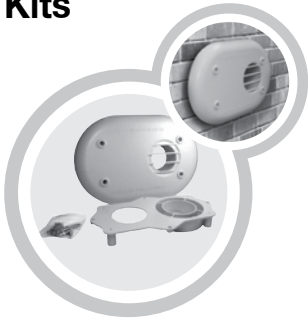
# Tankless Venting

## HIGH EFFICIENCY VENTING

### Condensing PVC Termination Kits

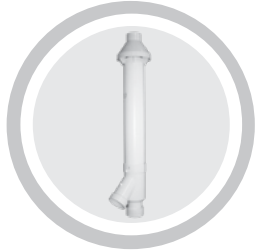
**Compatible with All Condensing RTGH models.**

*Offers a clean installation of the intake and exhaust pipes of the condensing tankless water heater.*



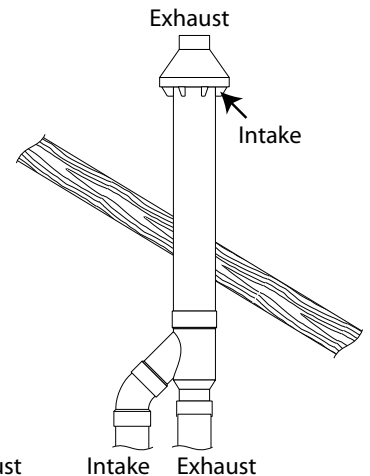
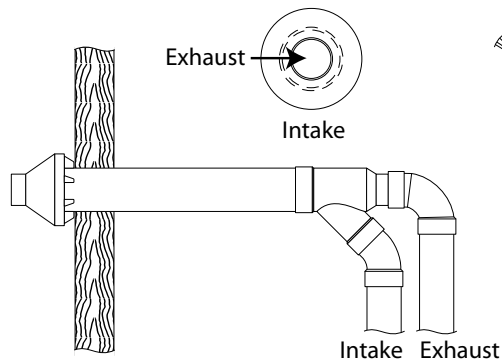
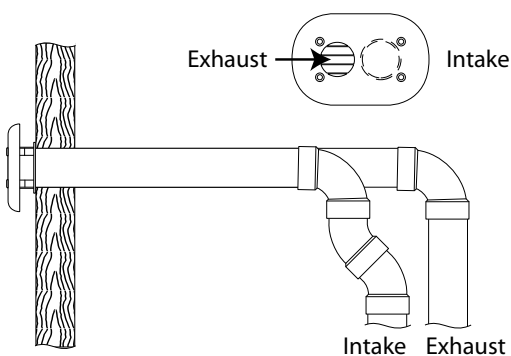
SP20286 & SP20285

MODEL NUMBER	DESCRIPTION	COMPATIBLE WITH
SP20286	<b>Horizontal Vent Kit for 3" PVC</b> – 11-3/4" Wide, 8" Tall, 2-1/2" Deep. Fits PVC, ABS piping	All RTGH models
SP20285	<b>Horizontal Vent Kit for 2" PVC</b> – 11-3/4" Wide, 8" Tall, 2-1/2" Deep. Fits PVC, ABS piping	



SP20245 & SP20897

MODEL NUMBER	DESCRIPTION	COMPATIBLE WITH
SP20245	<b>Horizontal or Vertical Concentric Vent Termination</b> for 3" PVC – 39" Long, 7-1/4" Diameter, 4-1/2" opening required. Fits PVC, ABS piping. 1/4" installation combining the intake and exhaust pipes into a single concentric vent termination	All RTGH models
SP20897	<b>Horizontal or Vertical Concentric Vent Termination</b> for 2" PVC ( <b>Coming Soon</b> ) – 39" Long, 7-1/4" Diameter, 4-1/2" opening required. Fits PVC, ABS piping. 1/4" installation combining the intake and exhaust pipes into a single concentric vent termination	

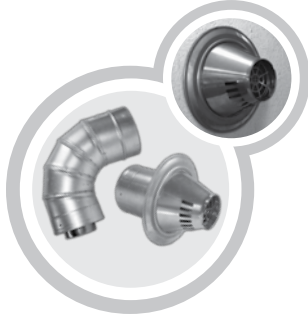


# Tankless Venting

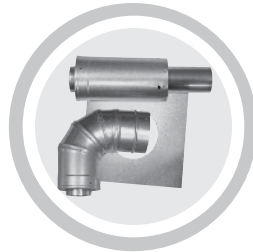
## MID-EFFICIENCY VENTING

### Termination Kits

3"/5" Stainless Steel Concentric Vent Termination Kits by **Metal Fab, Inc.**



MODEL NUMBER	DESCRIPTION	COMPATIBLE WITH
	<b>Low-Profile Horizontal Vent Termination Kit</b> – Contains: 90-Degree Elbow, Low-Profile Cone Termination, Trim Ring, Screws. All kits can be extended	All RTG-DV models
RTG20231-1	<b>For 2" x 4" Wall with 1-1/2" Siding</b> <b>For up to 6" Walls</b>	
RTG20234-1	<b>For 2" x 6" Wall with 1-1/2" Siding</b> <b>For up to 8" Walls</b>	
RTG20257	<b>For up to 10" Walls</b>	
RTG20258	<b>For up to 12" Walls</b>	
RTG20210	<b>Horizontal Vent Termination Kit</b> – Contains: 94-Degree Elbow, Long Termination, 12" Wall Plate, Screws. For up to 10" walls. Can be extended	
RTG20211	<b>Vertical Vent Termination Kit</b> – Contains: Storm Collar, 6/12 to 12/12 Pitched Cone Flashing, Vertical Termination with Rain Cap. Does not include vertical vent pipe	



RTG20210



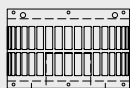
RTG20211

### Termination Accessories

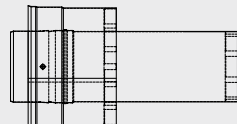
3"/5" Stainless Steel Concentric Vent Termination Accessories by **Metal Fab, Inc.**



MODEL NUMBER	DESCRIPTION	COMPATIBLE WITH
	<b>Low-Profile Horizontal Cone Terminations</b> Contains: Low-Profile Cone Termination and Trim Ring only	All RTG-DV models
RTG20230-1	<b>For up to 4" Walls</b>	
RTG20233-1	<b>For up to 6" Walls</b>	
RTG20259	<b>For up to 8" Walls</b>	
RTG20260	<b>For up to 10" Walls</b>	
RTG20151P	<b>Vertical Cap Termination</b> – 12" overall height	
RTG20128-2	<b>Horizontal Termination</b> – Short, for 4" horizontal wall only	



RTG20151P



RTG20128-2

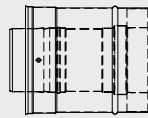
# Tankless Venting

## MID-EFFICIENCY VENTING

### Other Venting Accessories

3"/5" Value Stainless Steel Concentric Vent Termination Accessories by **Metal Fab, Inc**

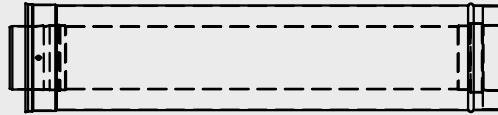
MODEL NUMBER	DESCRIPTION	COMPATIBLE WITH
RTG20151W	<b>6" Vent Length</b> – 5.66" overall length	All RTG-DV models
RTG20151R	<b>12" Vent Length</b> – 11.66" overall length	
RTG20151C-1	<b>24" Vent Length</b> – 23.66" overall length	
RTG20151D-1	<b>36" Vent Length</b> – 35.66" overall length	
RTG20151E-1	<b>Adjustable Vent Length</b> – 7.5" to 22" overall length	
RTG20151Y	<b>Adjustable Vent Length</b> – 13" to 20" overall length	
RTG20151A-1	<b>90-Degree Elbow</b> – 8.1" rise - 8.1" run	
RTG20151B-1	<b>45-Degree Elbow</b> – 8.6" rise - 3" run	



RTG20151W



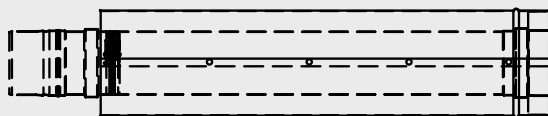
RTG20151R



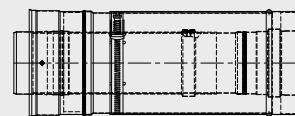
RTG20151C-1



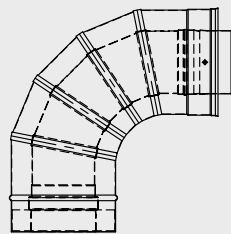
RTG20151D-1



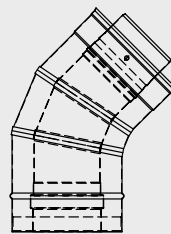
RTG20151E-1



RTG20151Y



RTG20151A-1



RTG20151B-1

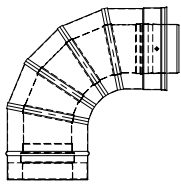
# Tankless Venting

## MID-EFFICIENCY VENTING

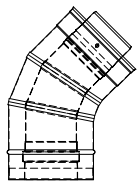
### Other Venting Accessories

3"/5" Stainless Steel Concentric Vent Termination Kits by **Metal Fab, Inc.**

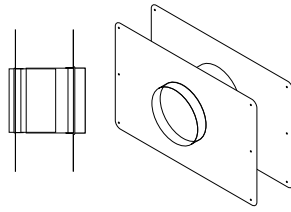
MODEL NUMBER	DESCRIPTION	COMPATIBLE WITH
RTG20151Z	<b>Stucco Wall Thimble</b> – 17" Wide - 12" Tall. Up to 6" deep wall with Drywall and Stucco Rings	All RTG-DV models
RTG20151X	<b>Wall Thimble</b> – 12" Square, up to 8" deep wall	
RTG20151H	<b>Wall Hanger</b> – 2-point pivot mounting	
RTG20151G	<b>Wall Support</b> – 3-point mounting	
RTG20151M-1	<b>Storm Collar</b> – Split ring galvanized	
RTG20151L-1	<b>6/12 to 12/12 Roof Flashing</b> – 15" square base galvanized	
RTG20151K-1	<b>2/12 to 5/12 Roof Flashing</b> – 15" square base galvanized	
RTG20151J-1	<b>Tall Cone Roof Flashing</b> – 15" square base galvanized	
RTG20151T	<b>Support Plate</b> – 17" square base support/fire stop	



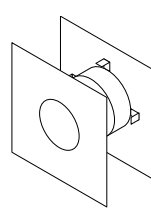
RTG20151A-1



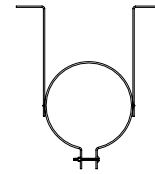
RTG20151B-1



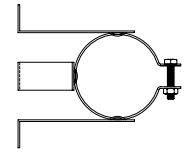
RTG20151Z



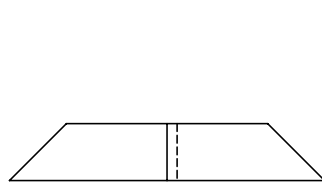
RTG20151X



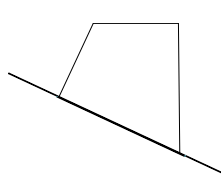
RTG20151H



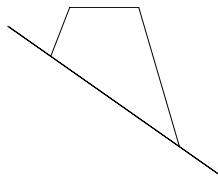
RTG20151G



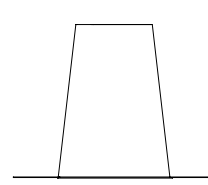
RTG20151M-1



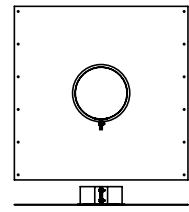
RTG20151K-1



RTG20151L-1

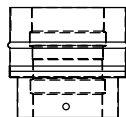


RTG20151J-1

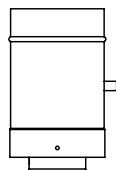


RTG20151T

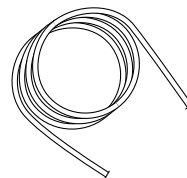
MODEL NUMBER	DESCRIPTION	COMPATIBLE WITH
RTG20144-3	<b>Appliance Adapter</b> – 5" overall length	RTG-66 or 53DV models
RTG20151S	<b>Condensate Drain</b> – Horizontal and vertical 8.6" overall length	All RTG-DV models
RTG20150A	<b>Silicone Condensate Drain Tube Kit</b> – 6' high temp tube, 2 clamps, 2 wire ties, instructions	
RTG20151AA	<b>Trim Ring. Indoor/Outdoor</b> – 8.9" dia - 5.25" hole, galvanized	



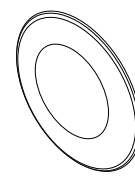
RTG20144-3



RTG20151S



RTG20150A



RTG20151AA

# Commercial Common Venting

## COMMERCIAL TANKLESS COMMON VENTING

For use with RTGH-C models

Rheem offers a manufacturer tested and UL/ULC listed common venting system providing longer lengths and fewer wall penetrations than single-unit venting. The system is polypropylene stabilized (PPs) material and Intertek certified for UL -1738 and ULC-S636 and manufactured by CentroTherm EcoSystems in the USA. Venting pieces are self-locking and sealing and can be pushed together without the use of cement or glue.

### Vent Run Accessories

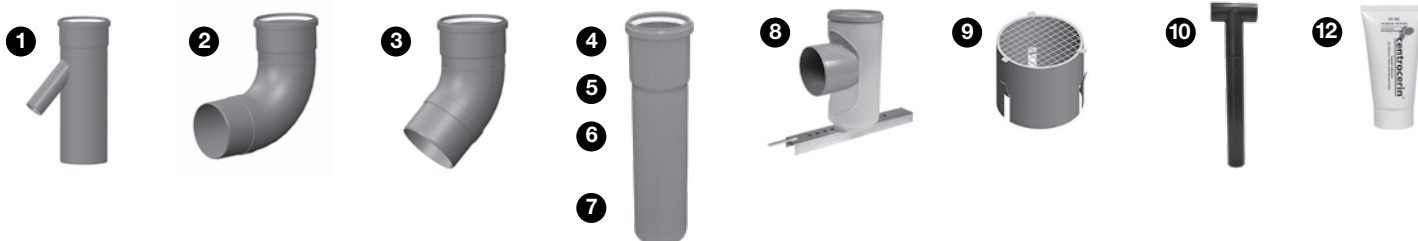


IMAGE NUMBER	PART DESCRIPTION	6"	8"	10"
1	Air Intake Branch Tee	SP20918AD	SP20918L	SP20918AE
2	87 Degree Elbow	SP20918BE	SP20918M	SP20918BM
3	45 Degree Elbow	SP20918BF	SP20918N	SP20918BN
4	Straight Pipe, 1'	SP20918BG	SP20918P	SP20918BP
5	Straight Pipe, 2'	SP20918BH	SP20918R	SP20918BR
6	Straight Pipe, 3'	SP20918BJ	SP20918S	SP20918BS
7	Straight Pipe, 6'	SP20918BK	SP20918T	SP20918BT
8	90 Degree Elbow Vertical Support	SP20918BL	SP20918U	SP20918BU
9	Bird Screen SS	SP20918AY	SP20918V	SP20918AZ
10	Tee Termination	SP20918BA	SP20918W	SP20918BB
11	Support Clamp	SP20918AW	SP20918AA	SP20918AX
12	Centrocerin Lubricant	SP20918H	SP20918H	SP20918H

	CENTROTHERM PPS	PVC	CPVC
<b>Chemical Resistance</b>			
- Aromatic Hydrocarbons	✓	X	X
- Sulfuric Acid	✓	X	X
- Hydrochloric Acid	✓	X	X
<b>UL Listed (0°F to 230°F)</b>	Listed	Not Listed	Not Listed
<b>Actual Working Temperature</b>	32°F (0°C) 248°F (120°C)	50°F (15°C) 149°F (65°C)	50°F (15°C) 194°F (90°C)
<b>Softening Temperatures</b>	302°F (150°C)	176°F (80°C)	200°F (93°C)
<b>Environmentally Friendly Production</b>	✓	X	X
<b>No Chloride Leaching</b>	✓	X	X
<b>Fully Recyclable</b>	✓	X	X

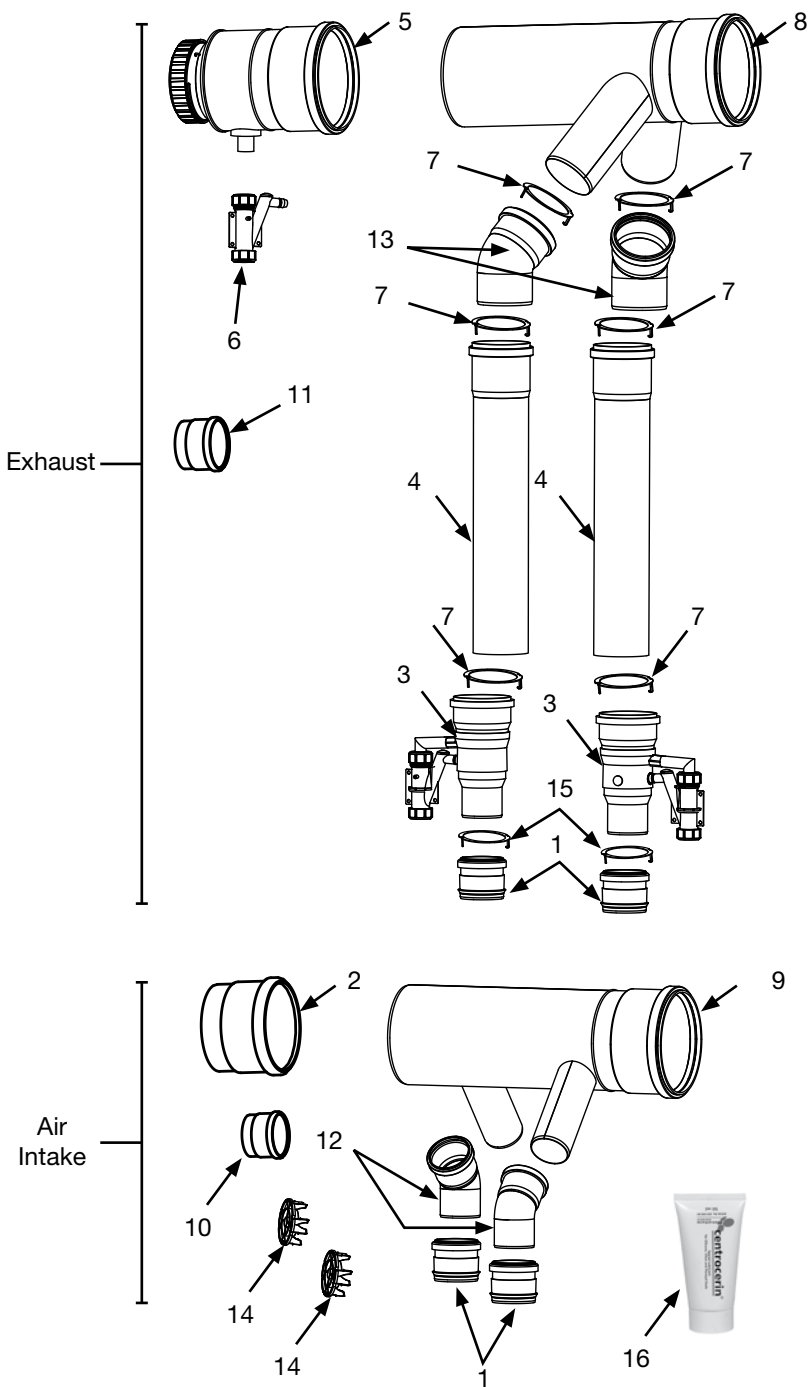
### Specifications

The Common Vent System shall be manufactured from polypropylene stabilized (PPs). The Common Vent System shall be UL-1738 & ULC-S636 rated for use with maximum flue gas temperatures of 230°F (110°C), and be rated to a maximum vent pressure of 20" of water column.

**NOTE:** Temperature values in table represent exhaust flue temperatures. For approximate max. water set point temperatures, subtract 20 degrees F.

# Back to Back Common Venting

## Back to Back Common Vent Kit Components



Parts 2, 9 & 10 in Direct Vent Header Kits only

	RHEEM PART NUMBER	PART DESCRIPTION
1	SP20918A	3" PVC to PP Adaptor
2	SP20918AH	6" Tee Cap
	SP20918K	8" Tee Cap
	SP20918AK	10" Tee Cap
3	SP20918D	Non-Return Valve (NRV)
4	SP20918G	4" Straight Pipe, 2'
5	SP20918AG	6" Horizontal Drain Fitting
	SP20918F	8" Horizontal Drain Fitting
	SP20918AJ	10" Horizontal Drain Fitting
6	SP20918C	Universal Ball Valve Siphon
7	SP20918Y	4" Connector Ring
8	SP20918AM	6" Back to Back Exhaust Branch Tee
	SP20918AP	8" Back to Back Exhaust Branch Tee
	SP20918AS	10" Back to Back Exhaust Branch Tee
9	SP20918AN	6" Back to Back Air Intake Branch Tee
	SP20918AR	8" Back to Back Air Intake Branch Tee
	SP20918AT	10" Back to Back Air Intake Branch Tee
10	SP20918AU	3" Tee Cap
11	SP20918AV	4" Tee Cap
12	SP20918BC	3", 45 Degree Elbow
13	SP20918BD	4", 45 Degree Elbow
14	SP20918AB	3" Bird Screen
15	SP20918X	3" Connector Ring
16	SP20918H	Centrocerin Lubricant

**NOTE:** All header kit parts available individually for replacement order using part numbers above.

**NOTE:** Exhaust branches are 4", intake branches are 3" diameter.

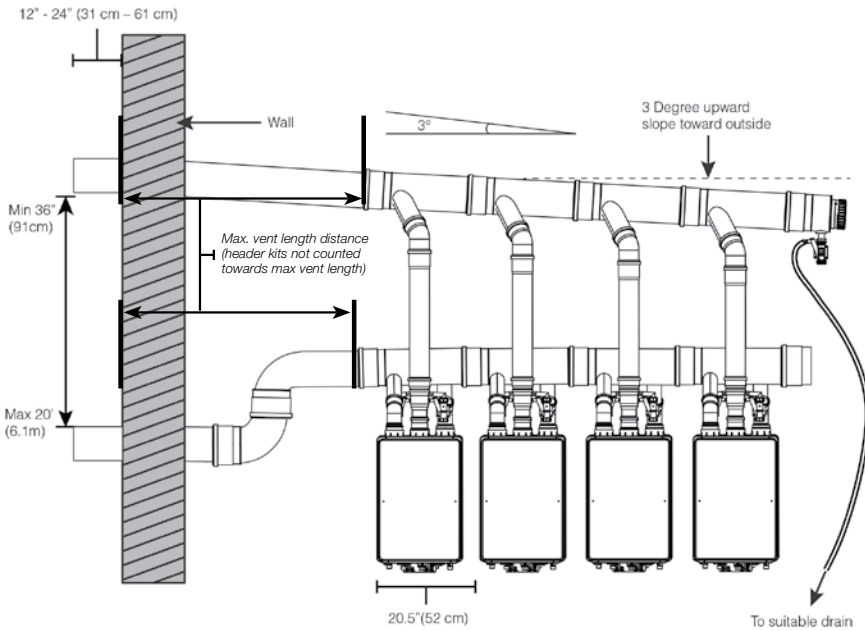


# Back to Back Common Venting

The following back to back header vent kits can be purchased separately to create **Back to Back Common Venting** system:

**NOTE:** Back to Back venting requires additional gas chip, sold separately.  
Consult Rheem Applications Engineer before purchase.

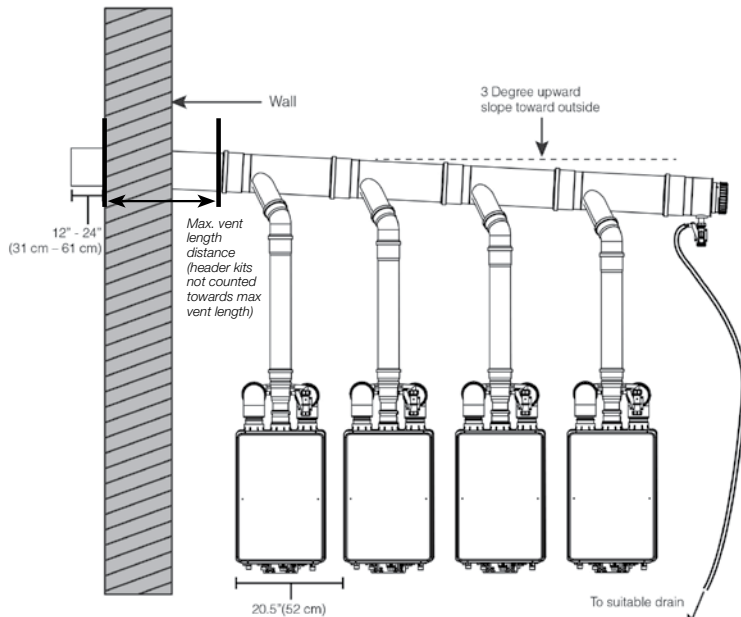
## Direct Vent Header Kits



Diagrams illustrate horizontal intake and exhaust, vertical intake and exhaust also available, but not pictured.

RHEEM PART NUMBER	TRUNK DIAMETER	NUMBER OF UNITS
SP20912A	6"	2
SP20912B		3
SP20912C		4
SP20914A	8"	2
SP20914B		3
SP20914C		4
SP20914D		5
SP20914E		6
SP20914F		7
SP20914G		8
SP20916A	10"	2
SP20916B		3
SP20916C		4
SP20916D		5
SP20916E		6
SP20916F		7
SP20916G		8

## Room Air Intake Header Kits

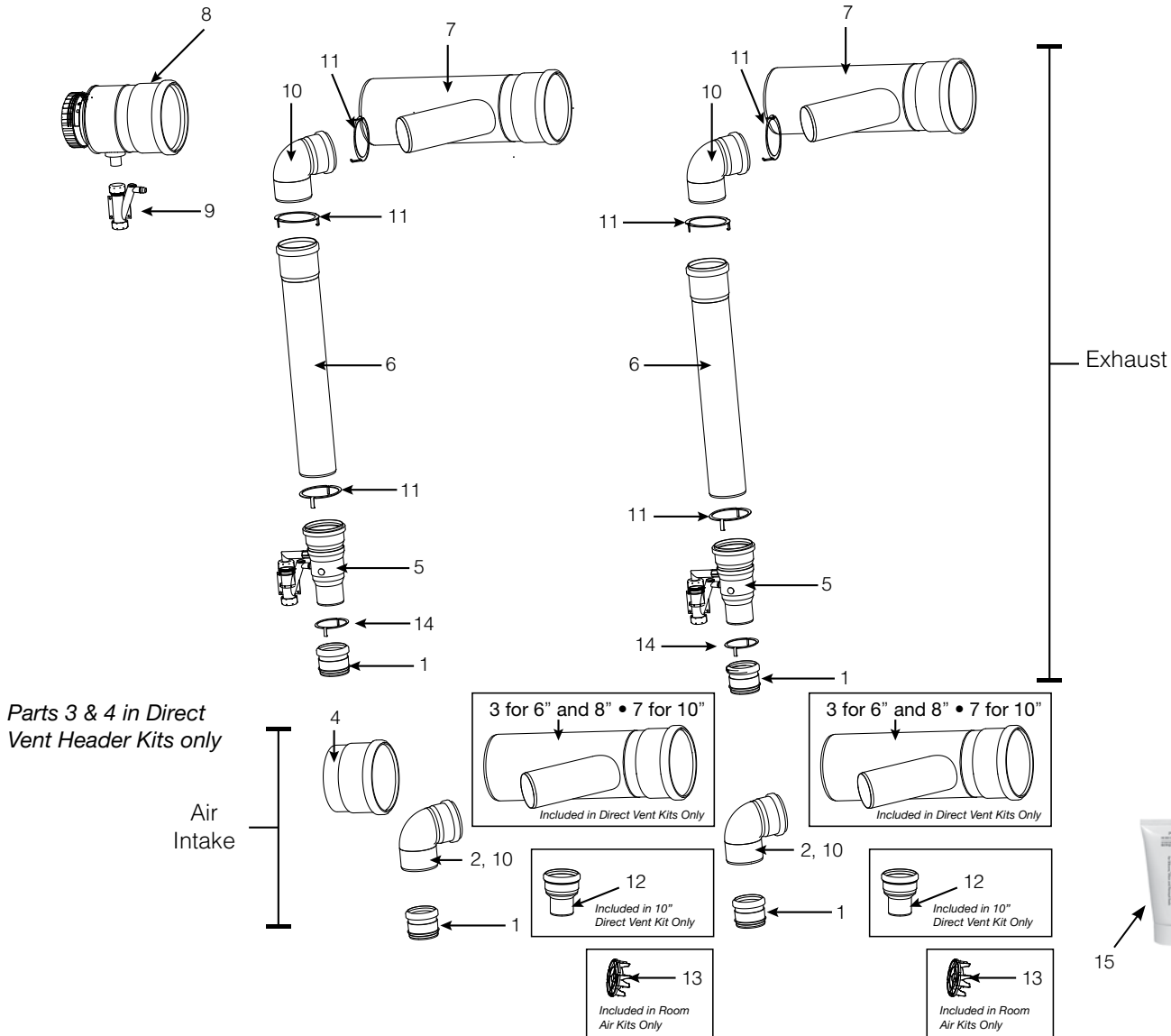


RHEEM PART NUMBER	TRUNK DIAMETER	NUMBER OF UNITS
SP20913A	6"	2
SP20913B		3
SP20913C		4
SP20915A	8"	2
SP20915B		3
SP20915C		4
SP20915D		5
SP20915E		6
SP20915F		7
SP20915G		8
SP20917A	10"	2
SP20917B		3
SP20917C		4
SP20917D		5
SP20917E		6
SP20917F		7
SP20917G		8

These kits contain only minimum required vent parts to create a common venting trunk line and a connection from the trunk line to water heaters. Vent parts included in these kits **DO NOT** count for equivalent vent length except a 87 degree elbow for the air intake included in a room air kit. Additional vent parts will be required to complete the common venting system. Refer to "Parts List" of this installation instructions for additional information.

# Inline Common Venting

## Inline Common Vent Kit Components



RHEEM PART NUMBER	PART DESCRIPTION
1	SP20918A 3" PVC to PP Adaptor
2	SP20918J 3", 87° Elbow
3	SP20918AD 6" Air Intake Branch Tee
	SP20918L 8" Air Intake Branch Tee
4	SP20918AH 6" Tee Cap
	SP20918K 8" Tee Cap
	SP20918AK 10" Tee Cap
5	SP20918D Non-Return Valve (NRV)
6	SP20918G 4" Straight Pipe, 2' (Direct Vent)
	SP20918Z 4" Straight Pipe, 1' (Room Air)

**NOTE:** All header kit parts available individually for replacement order using part numbers above.

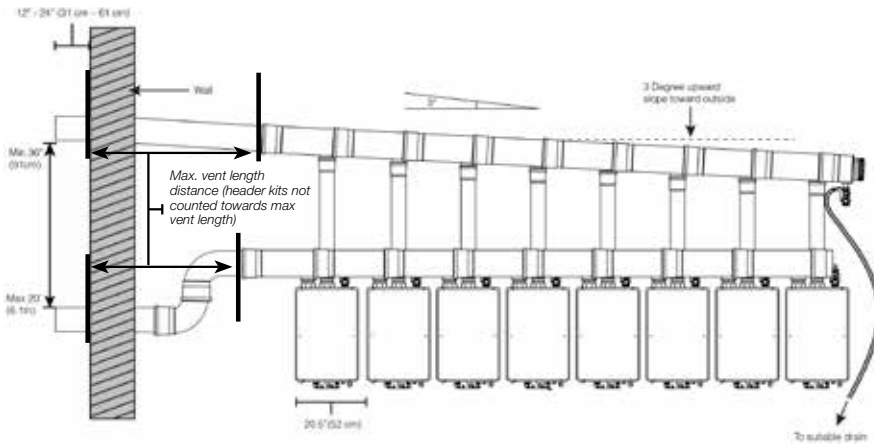
**NOTE:** For 6" and 8" trunk diameters, exhaust branches are 4", intake branches are 3" diameter, for 10" diameter trunk, both exhaust and intake branches are 3" diameter.

RHEEM PART NUMBER	PART DESCRIPTION
7	SP20918AC 6" Exhaust Branch Tee
	SP20918E 8" Exhaust Branch Tee
	SP20918AE 10" Exhaust and Air Intake Branch Tee
8	SP20918AG 6" Horizontal Drain Fitting
	SP20918F 8" Horizontal Drain Fitting
	SP20918AJ 10" Horizontal Drain Fitting
9	SP20918C Universal Ball Valve Siphon
10	SP20918B 4", 87 Degree Elbow
11	SP20918Y 4" Connector Ring
12	SP20918AL 3" to 4" Increaser
13	SP20918AB 3" Bird Screen
14	SP20918X 3" Connector Ring
15	SP20918H Centrocerin Lubricant

# Inline Common Venting

The following inline header vent kits can be purchased separately to create **Inline Common Venting** system:

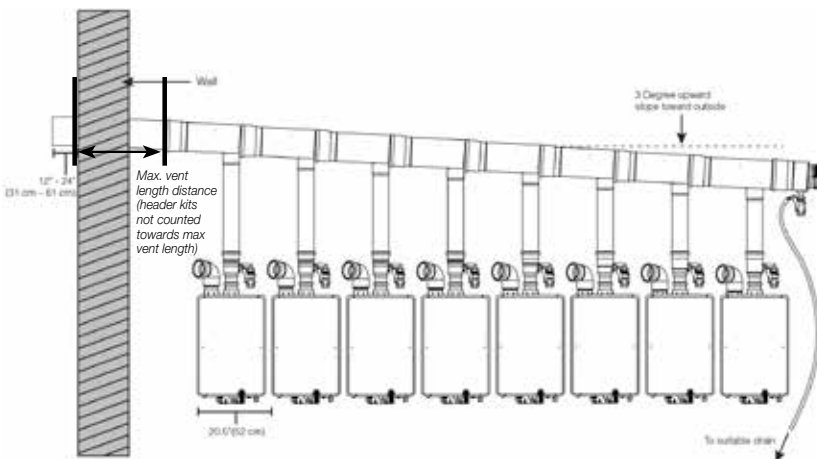
## Direct Vent Header Kits



Diagrams illustrate horizontal intake and exhaust, vertical intake and exhaust also available, but not pictured.

RHEEM PART NUMBER	TRUNK DIAMETER	NUMBER OF UNITS
SP20906A	6"	2
SP20906B		3
SP20906C		4
SP20908A	8"	2
SP20908B		3
SP20908C		4
SP20908D		5
SP20908E		6
SP20908F		7
SP20908G		8
SP20910A	10"	2
SP20910B		3
SP20910C		4
SP20910D		5
SP20910E		6
SP20910F		7
SP20910G		8
SP20910H		9
SP20910J		10

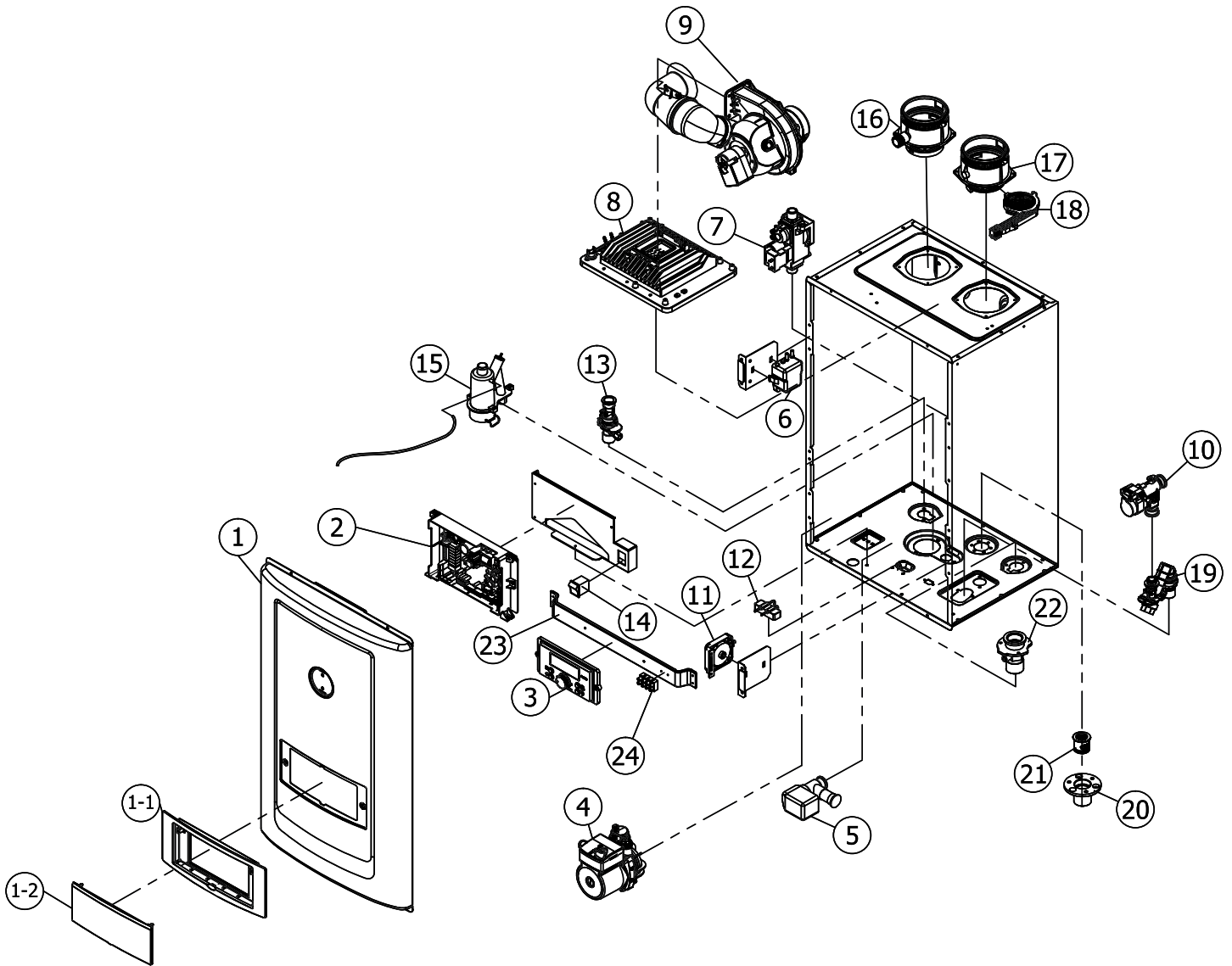
## Room Air Intake Header Kits



These kits contain only minimum required vent parts to create a common venting trunk line and a connection from the trunk line to water heaters. Vent parts included in these kits **DO NOT** count for equivalent vent length except a 87 degree elbow for the air intake included in a room air kit. Additional vent parts will be required to complete the common venting system. Refer to "Parts List" of this installation instructions for additional information.

RHEEM PART NUMBER	TRUNK DIAMETER	NUMBER OF UNITS
SP20907A	6"	2
SP20907B		3
SP20907C		4
SP20909A	8"	2
SP20909B		3
SP20909C		4
SP20909D		5
SP20909E		6
SP20909F		7
SP20909G		8
SP20911A	10"	2
SP20911B		3
SP20911C		4
SP20911D		5
SP20911E		6
SP20911F		7
SP20911G		8
SP20911H		9
SP20911J		10

# Parts for RTGH-RH10DVL, RTGH-RH11DVL Series



## OUTDOOR CONVERSION KIT



MODEL NUMBER	DESCRIPTION	COMPATIBLE WITH
RTGH-RHX*	Converts RTGH-RH indoor models for outdoor installation.	All RTGH-RH10DVL and RTGH-RH11DVL models

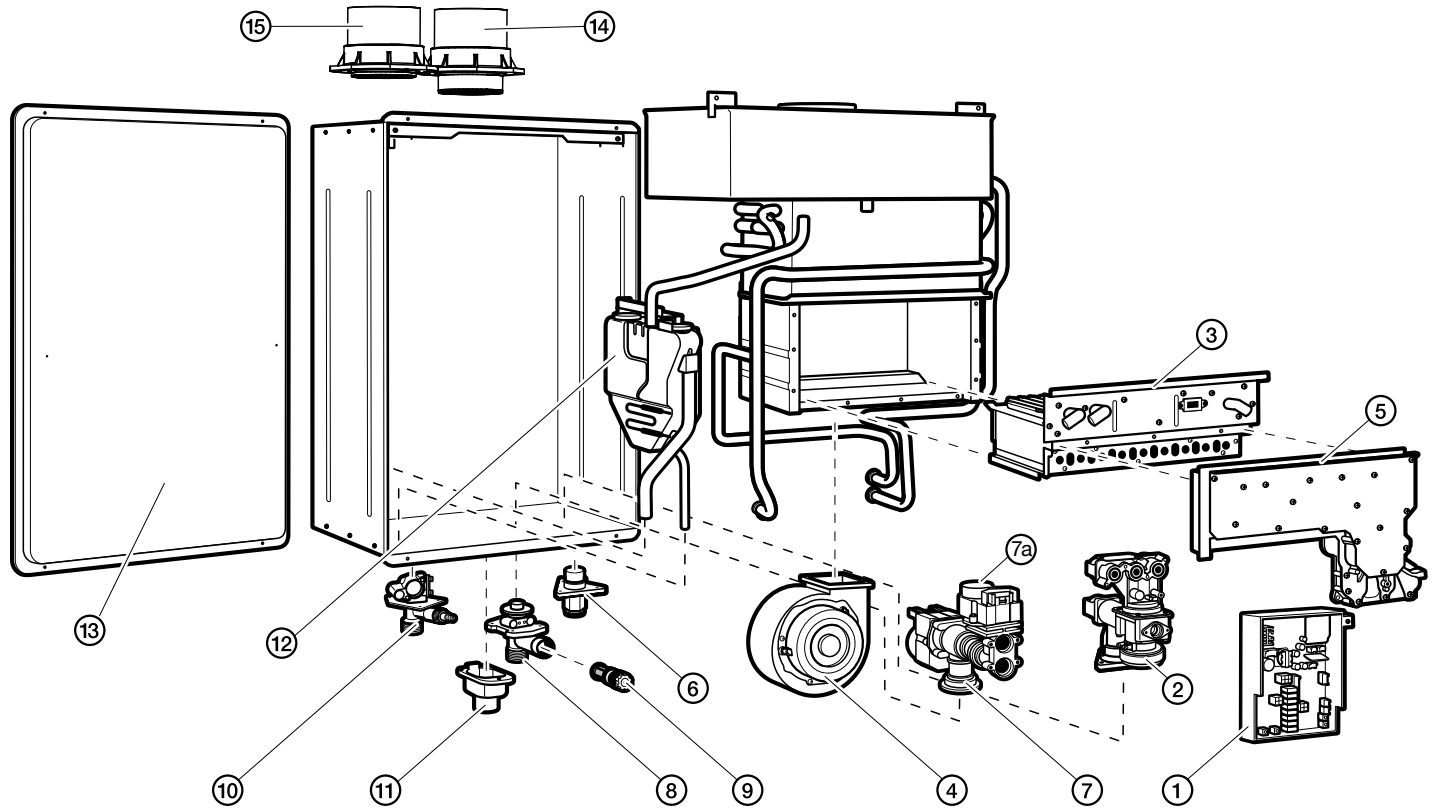
\*This part is fulfilled through Rheem Water Heating Division. Not stocked at RPD.

## Parts for RTGH-RH10DVL, RTGH-RH11DVL Series

Ref #	Rheem Part #	Description	RTGH-RH10DVL	RTGH-RH11DVL
1	RTG20298AM	Front Cover Assembly	•	•
1-1	RTG20298AN	Display Panel Bracket	•	•
1-2	RTG20298AP	Display Panel Cover	•	•
2	RTG20298AU	PCB (Control Board)	•	•
3	RTG20298AR	Panel Window	•	•
4	RTG20299AP	Circulation Pump	•	•
5	RTG20299AV	Mixing Valve	•	•
6	RTG20298AF	Igniter Transformer	•	•
7	RTG20300E	Gas Valve Assembly	•	•
8	RTG20299C	Burner Assembly	•	•
9	RTG20310	Fan & AGM Assembly Kit - Natural Gas models	•	•
9	RTG20317	Fan & AGM Assembly Kit - LP models	•	•
10	RTG20298N	Flow Control Valve	•	•
11	RTG20298AH	Air Pressure Switch	•	•
12	RTG20298AK	Water Leak Detector	•	•
13	RTG20298H	Hot Water Pipe Assembly	•	•
14	RTG20298AV	Power Switch	•	•
15	RTG20298U	Condensate Trap	•	•
16	RTG20298X	Exhaust Assembly	•	•
17	RTG20298Y	Air Intake Assembly	•	•
18	RTG20298AC	Ai Intake Filter	•	•
19	RTG20298B	Water Inlet Valve Assembly	•	•
20	RTG20298R	Recirculation Return Connection	•	•
21	RTG20298S	Check Valve	•	•
22	RTG20298A	Gas Inlet Nipple	•	•
23	RTG20298AT	Display Panel Bracket	•	•
24	RTG20298BE	On-Demand Kit Terminal Block	•	•
	RTG20298E	Water Inlet Filter	•	•
	RTG20298F	O-Ring (P20)	•	•
	RTG20299X	Flame Detector Sensor	•	•
	RTG20298P	O-Ring (P16)	•	•
	RTG20299F	Ignition Rod	•	•
	RTG20299AL	Water Hammer Arrestor	•	•
	RTG20299AC	Heat Exchanger Temperature Sensor	•	•

See Pages 6 - 14 for Accessories, Manifold Systems, and Venting Options.

# Parts for RTGH-84DVL-1 or -2, RTGH-90DVL-1 or -2, RTGH-95DVL-1 or -2 Series



## Program Chips

Fuel Type	RTGH-84DVLN/P-1	RTGH-90DVLN/P-1	RTGH-95DVLN/P-1
Natural	RTG20239AJ	RTG20239AN	RTG20239AE
Natural	RTG20239BG <sup>1</sup>	RTG20239BF <sup>2</sup>	RTG20239BE <sup>3</sup>
Propane	RTG20239AK	RTG20239AP	RTG20239AF

Fuel Type	RTGH-68DVLN/P-2	RTGH-84DVLN/P-2	RTGH-90DVLN/P-2	RTGH-95DVLN/P-2
U.S. Natural	RTG20239CK	RTG20239CB	RTG20239CF	RTG20239BX
U.S. Propane	RTG20239CL	RTG20239CC	RTG20239CG	RTG20239BY
Can. Natural	N/A	RTG20239CS	RTG20239CU	RTG20239CP
Can. Propane	N/A	RTG20239CT	RTG20239CV	RTG20239CR

## 185°F Temperature Upgrade Kits - Commercial and Hydronic

Fuel Type	RTGH-84DVLN/P-1	RTGH-90DVLN/P-1	RTGH-95DVLN/P-1
Natural	RTG20256A	RTG20255A	Dedicated Commercial Tankless Models available with 185°F Max. Temperature Built-In
Natural	RTG20263A <sup>1</sup>	RTG20262A <sup>2</sup>	
Propane	RTG20256B	RTG20255B	

Fuel Type	RTGH-68DVLN/P-2	RTGH-84DVLN/P-2	RTGH-90DVLN/P-2	RTGH-95DVLN/P-2
U.S. Natural	N/A	RTG20314A	RTG20313A	RTG20312A
U.S. Propane	N/A	RTG20314B	RTG20313B	RTG20312B
Can. Natural	N/A	RTG20314E	RTG20313E	RTG20312E
Can. Propane	N/A	RTG20314F	RTG20313F	RTG20312F

<sup>1</sup>New Part Number for RTGH-84DVLN-1 Tankless Water Heaters with Serial Number higher than W051733461.

<sup>2</sup>New Part Number for RTGH-90DVLN-1 Tankless Water Heaters with Serial Number higher than W061709751.

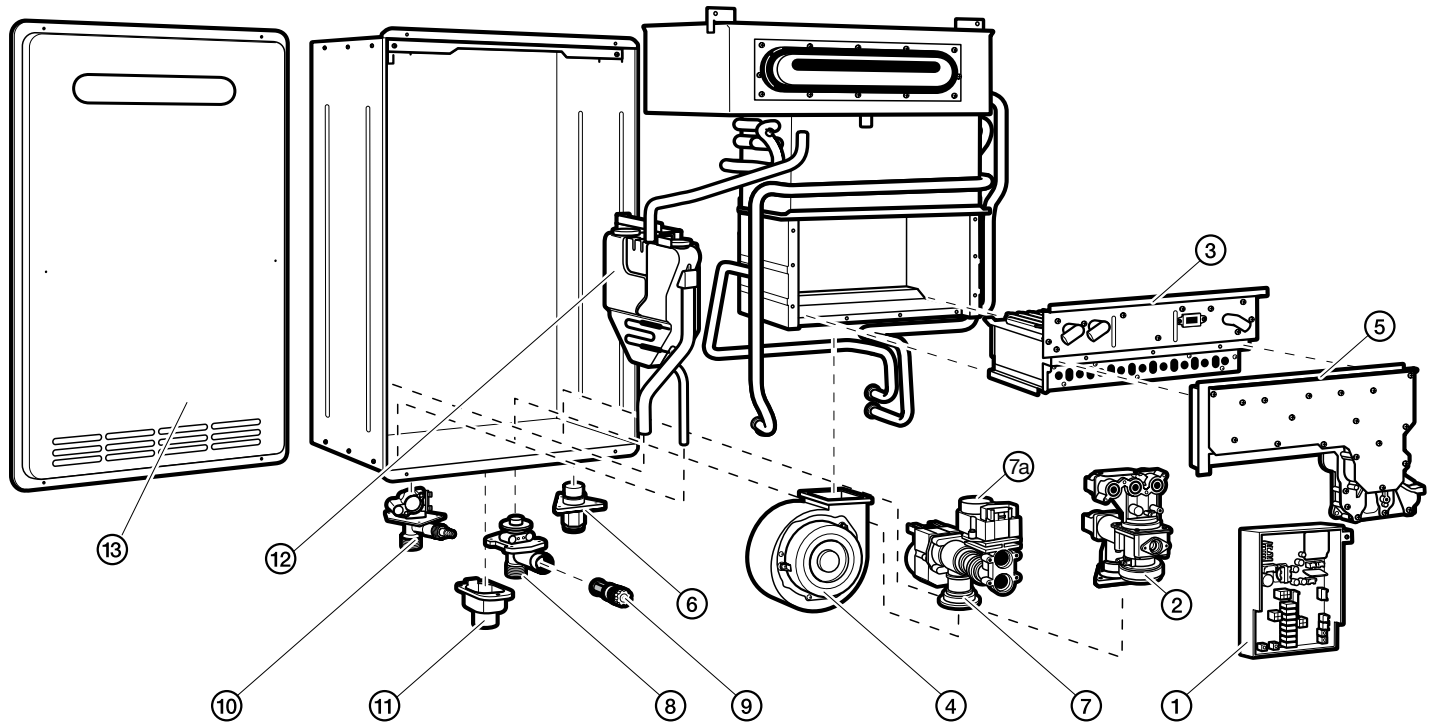
<sup>3</sup>New Part Number for RTGH-95DVLN-1 Tankless Water Heaters with Serial Number higher than W061706204.

## Parts for RTGH-84DVL-1 or -2, RTGH-90DVL-1 or -2, RTGH-95DVL-1 or -2 Series

Ref #	Rheem Part #	Description	RTGH-84DVL-1	RTGH-84DVL-2	RTGH-90DVL-1	RTGH-90DVL-2	RTGH-95DVL-1	RTGH-95DVL-2
1	RTG20239BH	Control Board	•		•		•	
1	RTG20239BV	Control Board		•		•		•
	RTG20006AR	Inlet Thermistor - White	•	•	•	•	•	•
	RTG20212BC	Heat Exchanger Thermistor - Yellow	•	•	•	•	•	•
	RTG20006BB	Outlet Thermistor - Black	•	•	•	•	•	•
	RTG20006UW	Ambient Thermistor - Blue	•	•	•	•	•	•
	RTG20223L	Vent High Temperature Limit Switch	•	•	•	•	•	•
	RTG20239M	Thermistor Wiring Harness	•	•	•	•	•	•
2	RTG20239AY	Gas Control Valve	•	•	•	•	•	•
	RTG20239AD	Gas Control Wiring Harness	•	•	•	•	•	•
3	RTG20235AD	Burner Assembly	•	•	•	•	•	•
	RTG20235C	Igniter Coil	•	•	•	•	•	•
	RTG20212BD	Igniter Rod (IG) (with gasket)	•	•	•	•	•	•
4	RTG20212K	Blower Motor	•		•		•	
	RTG20223K	Blower Case	•		•		•	
4	RTG20239BL	Blower Motor		•		•		•
	RTG20239BM	Blower Case		•		•		•
5	RTG20235W	Burner Manifold - LP	•	•	•	•	•	•
5	RTG20239AA	Burner Manifold NAT	•		•		•	
5	RTG20235V	Burner Manifold NAT		•		•		•
	RTG20212BE	Flame Rod FL-1 (with gasket)	•	•	•	•	•	•
	RTG20235AX	Flame Rod Wire (White)	•	•	•	•	•	•
	RTG20212BG	Flame Rod FL-2 (with wire and gasket)	•	•	•	•	•	•
	RTG20223M	Flame Rod Wire (Blue)	•	•	•	•	•	•
6	RTG20164K	Gas Inlet Connector ¾"	•	•	•	•	•	•
7	RTG20164L	Water Control Valve	•		•		•	
7	RTG20239BT	Water Control Valve		•		•		•
7a	RTG20235X	Bypass Assembly	•	•	•	•	•	•
8	RTG20164J	Water Inlet Connector ¾"	•	•	•	•	•	•
9	RTG20164AK	Inlet Water Filter	•	•	•	•	•	•
10	RTG20074CE	Hot Water Outlet Connector ¾"	•	•	•	•	•	•
11	RTG20164AA	Remote Control Terminal Block	•	•	•	•	•	•
	RTG20212U	Remote Control Terminal	•	•	•	•	•	•
12	RTG20239BU	Neutralization Replacement Kit	•	•	•	•	•	•
13	RTG20239Z	Front Cover - No Labels or Branding	•	•	•	•	•	•
14	RTG20223Y	Exhaust Vent Outlet Connector - 3" PVC	•		•		•	
14	RTG20239BS	Exhaust Vent Outlet Connector - 2" PVC		•		•		•
15	RTG20223X	Air Intake Inlet Connector - 3" PVC	•		•		•	
15	RTG20239BR	Air Intake Inlet Connector - 2" PVC		•		•		•
	RTG20239BN	Gaskets for Intake & Exhaust		•		•		•
	RTG20239BP	Locking Band for Intake & Exhaust		•		•		•
	RTG20074EH	Gas Shutoff Valve ¾"	•	•	•	•	•	•
	RTG20186	Replacement Screw Kit	•	•	•	•	•	•
	RTG20206	Replacement O-Ring Kit	•	•	•	•	•	•
	RTG20235AB	Thermostat Assembly	•	•	•	•	•	•
	RTG20239BK	EZ Hanging Bracket		•		•		•

See Pages 6 - 14 for Accessories, Manifold Systems, and Venting Options.

# Parts for RTGH-84XL-1 or -2, RTGH-90XL-1 or -2, RTGH-95XL-1 or -2 Series



## Program Chips

Fuel Type	RTGH-84XLN/P-1	RTGH-90XLN/P-1	RTGH-95XLN/P-1
Natural	<b>RTG20239AL</b>	<b>RTG20239AR</b>	<b>RTG20239AG</b>
Propane	<b>RTG20239AM</b>	<b>RTG20239AS</b>	<b>RTG20239AH</b>

Fuel Type	RTGH-68DVLN/P-2	RTGH-84DVLN/P-2	RTGH-90DVLN/P-2	RTGH-95DVLN/P-2
Natural	<b>RTG20239CM</b>	<b>RTG20239CD</b>	<b>RTG20239CH</b>	<b>RTG20239BZ</b>
Propane	<b>RTG20239CN</b>	<b>RTG20239CE</b>	<b>RTG20239CJ</b>	<b>RTG20239CA</b>

## 185°F Temperature Upgrade Kits - Commercial and Hydronic

Fuel Type	RTGH-84XLN/P-1	RTGH-90XLN/P-1	RTGH-95XLN/P-1
Natural	<b>RTG20256C</b>	<b>RTG20255C</b>	Dedicated Commercial Tankless Models available with 185°F Max. Temperature Built-In
Propane	<b>RTG20256D</b>	<b>RTG20255D</b>	

Fuel Type	RTGH-68DVLN/P-2	RTGH-84DVLN/P-2	RTGH-90DVLN/P-2	RTGH-95DVLN/P-2
Natural	<b>N/A</b>	<b>RTG20314C</b>	<b>RTG20313C</b>	<b>RTG20312C</b>
Propane	<b>N/A</b>	<b>RTG20314D</b>	<b>RTG20313D</b>	<b>RTG20312D</b>

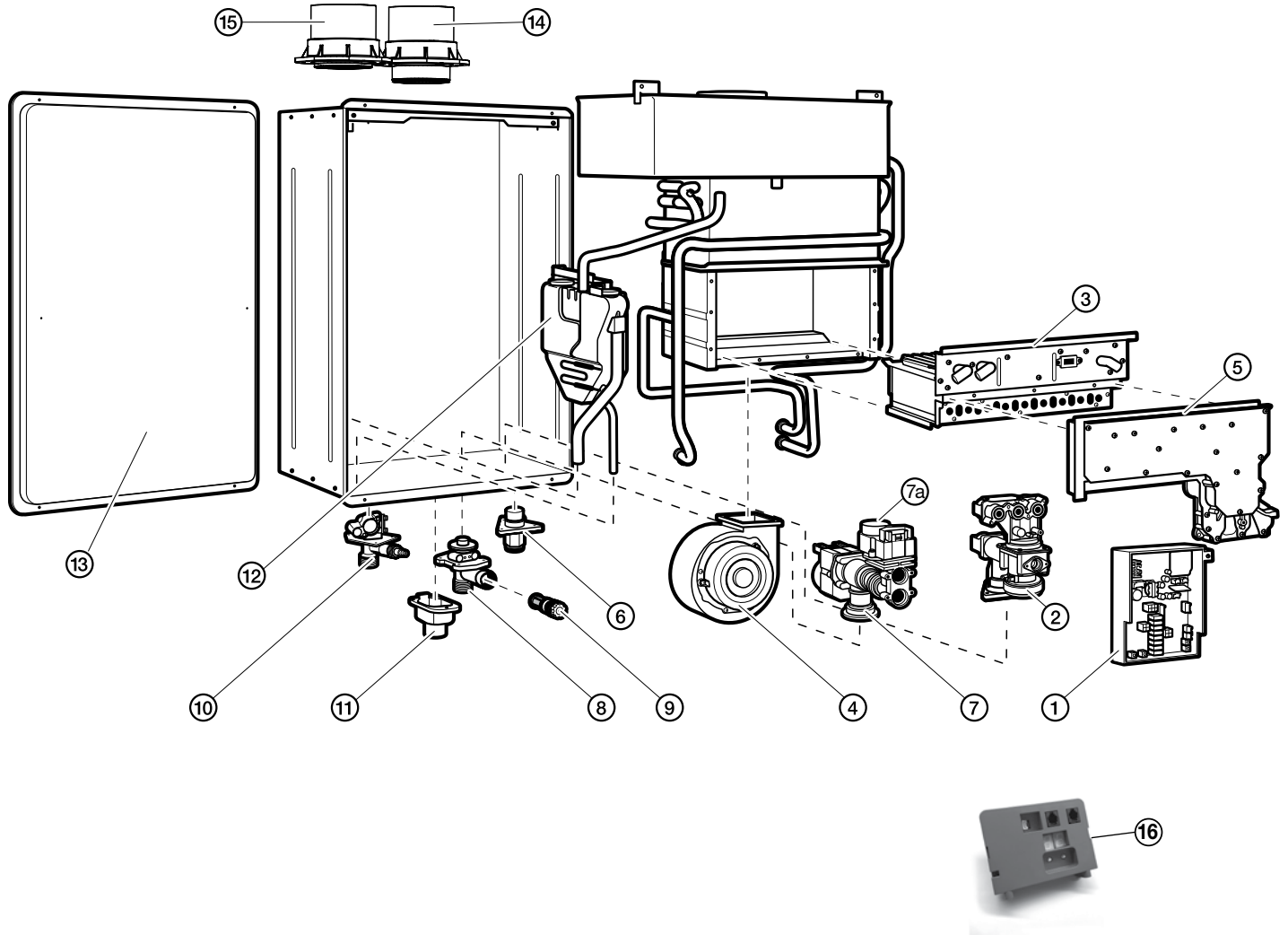


## Parts for RTGH-84XL-1 or -2, RTGH-90XL-1 or -2, RTGH-95XL-1 or -2 Series

Ref #	Rheem Part #	Description	RTGH-84XL-1	RTGH-84XL-2	RTGH-90XL-1	RTGH-90XL-2	RTGH-95XL-1	RTGH-95XL-2
1	RTG20239BH	Control Board	•		•		•	
1	RTG20239BV	Control Board		•		•		•
	RTG20006AR	Inlet Thermistor - White	•	•	•	•	•	•
	RTG20212BC	Heat Exchanger Thermistor - Yellow	•	•	•	•	•	•
	RTG20006BB	Outlet Thermistor - Black	•	•	•	•	•	•
	RTG20006UW	Ambient Thermistor - Blue	•	•	•	•	•	•
	RTG20239M	Thermistor Wiring Harness	•	•	•	•	•	•
2	RTG20239AY	Gas Control Valve	•	•	•	•	•	•
	RTG20239AD	Gas Control Wiring Harness	•	•	•	•	•	•
3	RTG20235U	Burner Assembly	•	•	•	•	•	•
	RTG20235C	Igniter Coil	•	•	•	•	•	•
	RTG20212BD	Igniter Rod (IG) (with gasket)	•	•	•	•	•	•
4	RTG20212AB	Blower Motor	•	•	•	•	•	•
	RTG20212AC	Blower Case	•	•	•	•	•	•
5	RTG20235W	Burner Manifold - LP	•	•	•	•	•	•
5	RTG20235V	Burner Manifold NAT	•	•	•	•	•	•
	RTG20212BE	Flame Rod FL-1 (with gasket)	•	•	•	•	•	•
	RTG20235AX	Flame Rod Wire (White)	•	•	•	•	•	•
6	RTG20164K	Gas Inlet Connector ¾"	•	•	•	•	•	•
7	RTG20164L	Water Control Valve	•		•		•	
7	RTG20239BT	Water Control Valve		•		•		•
7a	RTG20235X	Bypass Assembly	•	•	•	•	•	•
8	RTG20164J	Water Inlet Connector ¾"	•	•	•	•	•	•
9	RTG20164AK	Inlet Water Filter	•	•	•	•	•	•
10	RTG20074CE	Hot Water Outlet Connector ¾"	•	•	•	•	•	•
	RTG20006AV	Drain Plug with Relief	•	•	•	•	•	•
11	RTG20164AA	Remote Control Terminal Block	•	•	•	•	•	•
	RTG20212U	Remote Control Terminal	•	•	•	•	•	•
12	RTG20239BU	Neutralization Replacement Kit	•	•	•	•	•	•
13	RTG20239Y	Front Cover - No Labels or Branding	•	•	•	•	•	•
	RTG20074EH	Gas Shutoff Valve ¾"	•	•	•	•	•	•
	RTG20186	Replacement Screw Kit	•	•	•	•	•	•
	RTG20206	Replacement O-Ring Kit	•	•	•	•	•	•
	RTG20235AB	Thermostat Assembly	•	•	•	•	•	•

See Pages 6 - 14 for Accessories, Manifold Systems, and Venting Options.

## Parts for Commercial RTGH-C95DVL, RTGH-CM95DVL Series



### Commercial Gas Chips

Models	Non-Common Vent	Common Vent	
	Single Unit Chip	Inline Gas Chip	Back to Back Gas Chip
RTGH-CM95DVLN / RTGH-C95DVLN	<b>RTG20261A</b>	<b>RTG20239BJ</b>	<b>RTG20239BW</b>
RTGH-CM95DVLP / RTGH-C95DVLP	<b>RTG20254B</b>	N/A	N/A

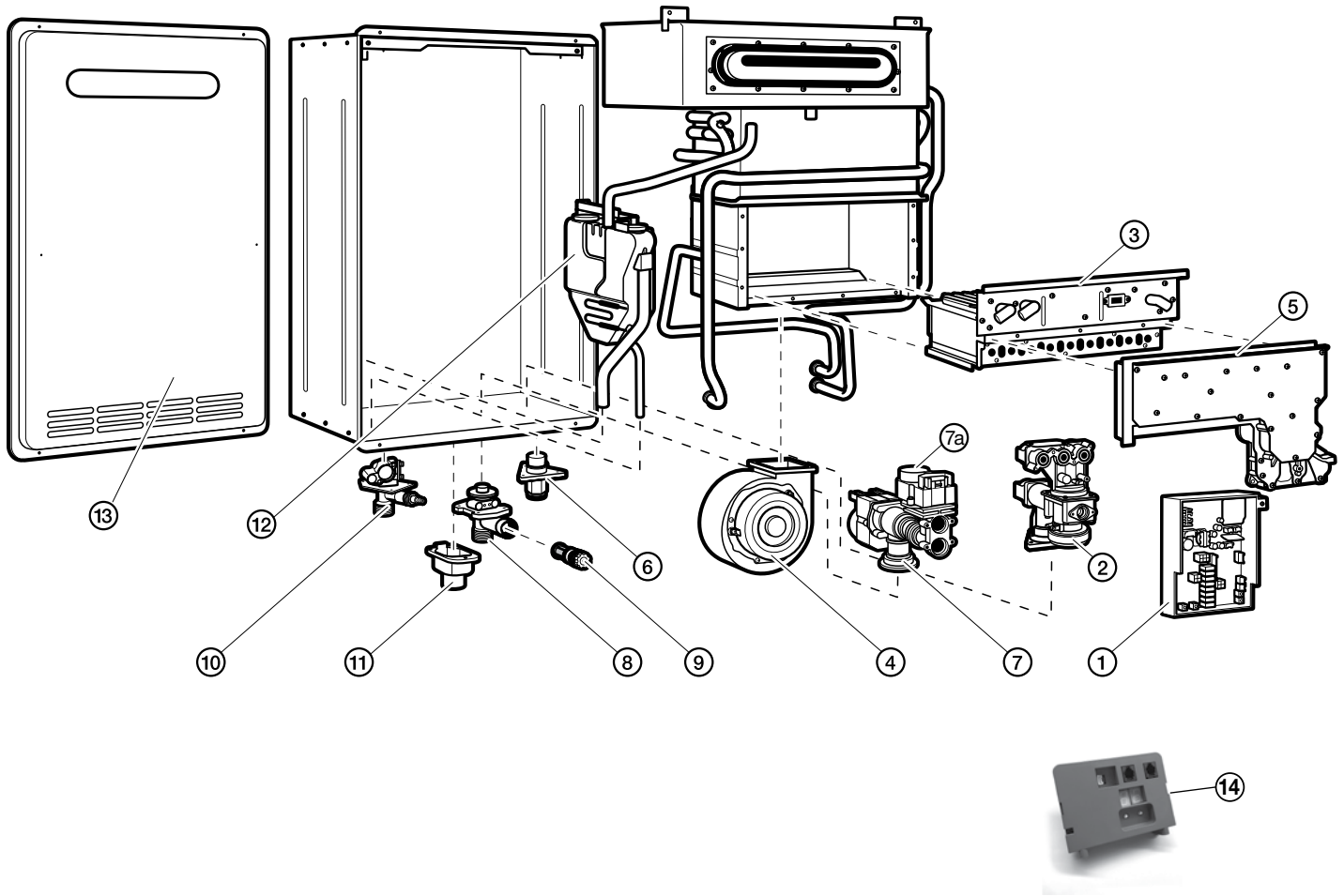
See Page 8 for manifold connection cables under “EcoNet Smart Home WiFi Control”

## Parts for Commercial RTGH-C95DVL, RTGH-CM95DVL Series

Ref #	Rheem Part #	Description	RTGH-C95DVL	RTGH-CM95DVL	
1	RTG20239BH	Control Board	•	•	
	RTG20006AR	Inlet Thermistor - White	•	•	
	RTG20212BC	Heat Exchanger Thermistor - Yellow	•	•	
	RTG20006BB	Outlet Thermistor - Black	•	•	
	RTG20006UW	Ambient Thermistor - Blue	•	•	
	RTG20223L	Vent High Temperature Limit Switch	•	•	
	RTG20239M	Thermistor Wiring Harness	•	•	
2	RTG20239AY	Gas Control Valve	•	•	
	RTG20239AD	Gas Control Wiring Harness	•	•	
3	RTG20235AD	Burner Assembly	•	•	
	RTG20235C	Igniter Coil	•	•	
	RTG20212BD	Igniter Rod (IG) (with gasket)	•	•	
4	RTG20212K	Blower Motor	•	•	
	RTG20223K	Blower Case	•	•	
5	RTG20235W	Burner Manifold - LP	•	•	
5	RTG20239AA	Burner Manifold NAT	•	•	
	RTG20212BE	Flame Rod FL-1 (with gasket)	•	•	
	RTG20235AX	Flame Rod Wire (White)	•	•	
	RTG20212BG	Flame Rod FL-2 (with wire and gasket)	•	•	
	RTG20223M	Flame Rod Wire (Blue)	•	•	
6	RTG20164K	Gas Inlet Connector ¾"	•	•	
7	RTG20164L	Water Control Valve	•	•	
7a	RTG20235X	Bypass Assembly	•	•	
8	RTG20164J	Water Inlet Connector ¾"	•	•	
9	RTG20164AK	Inlet Water Filter	•	•	
10	RTG20074CE	Hot Water Outlet Connector ¾"	•	•	
11	RTG20164AA	Remote Control Terminal Block	•	•	
	RTG20212U	Remote Control Terminal	•	•	
	RTG20239BU	Neutralization Replacement Kit	•	•	
13	RTG20239Z	Front Cover - No Labels or Branding	•	•	
14	RTG20223Y	Exhaust Vent Outlet Connector - PVC	•	•	
15	RTG20223X	Air Intake Inlet Connector - PVC	•	•	
	RTG20074EH	Gas Shutoff Valve ¾"	•	•	
	RTG20186	Replacement Screw Kit	•	•	
	RTG20206	Replacement O-Ring Kit	•	•	
	RTG20235AB	Thermostat Assembly	•	•	
	16	AP18297-3	Smartec Translator Assembly		•
		AP18278	Smartec Communication Cable		•
AP18286		Screw, 6-19 x 3/8 in.		•	
AP18279		Smartec Jumper Connector		•	

See Pages 15 - 19 for Common Venting Accessories.

# Parts for Commercial RTGH-C95XL, RTGH-CM95XL Series



## Commercial Gas Chips

Models	Non-Common Vent	Common Vent	
	Single Unit Chip	Inline Gas Chip	Back to Back Gas Chip
RTGH-CM95XLN / RTGH-C95XLN	<b>RTG20254C</b> <b>RTG20312C<sup>1</sup></b>	N/A	N/A
RTGH-CM95XLP / RTGH-C95XLP	<b>RTG20254D</b> <b>RTG20312D<sup>2</sup></b>	N/A	N/A

<sup>1</sup>For RTGH-C95XLN models with serial number W171840369 or greater; or for RTGH-CM95XLN models with serial number W181832981 or greater

<sup>2</sup>For RTGH-C95XLP models with serial number W181826801 or greater

See Page 8 for manifold connection cables under “EcoNet Smart Home WiFi Control”

## Parts for Commercial RTGH-C95XL, RTGH-CM95XL Series

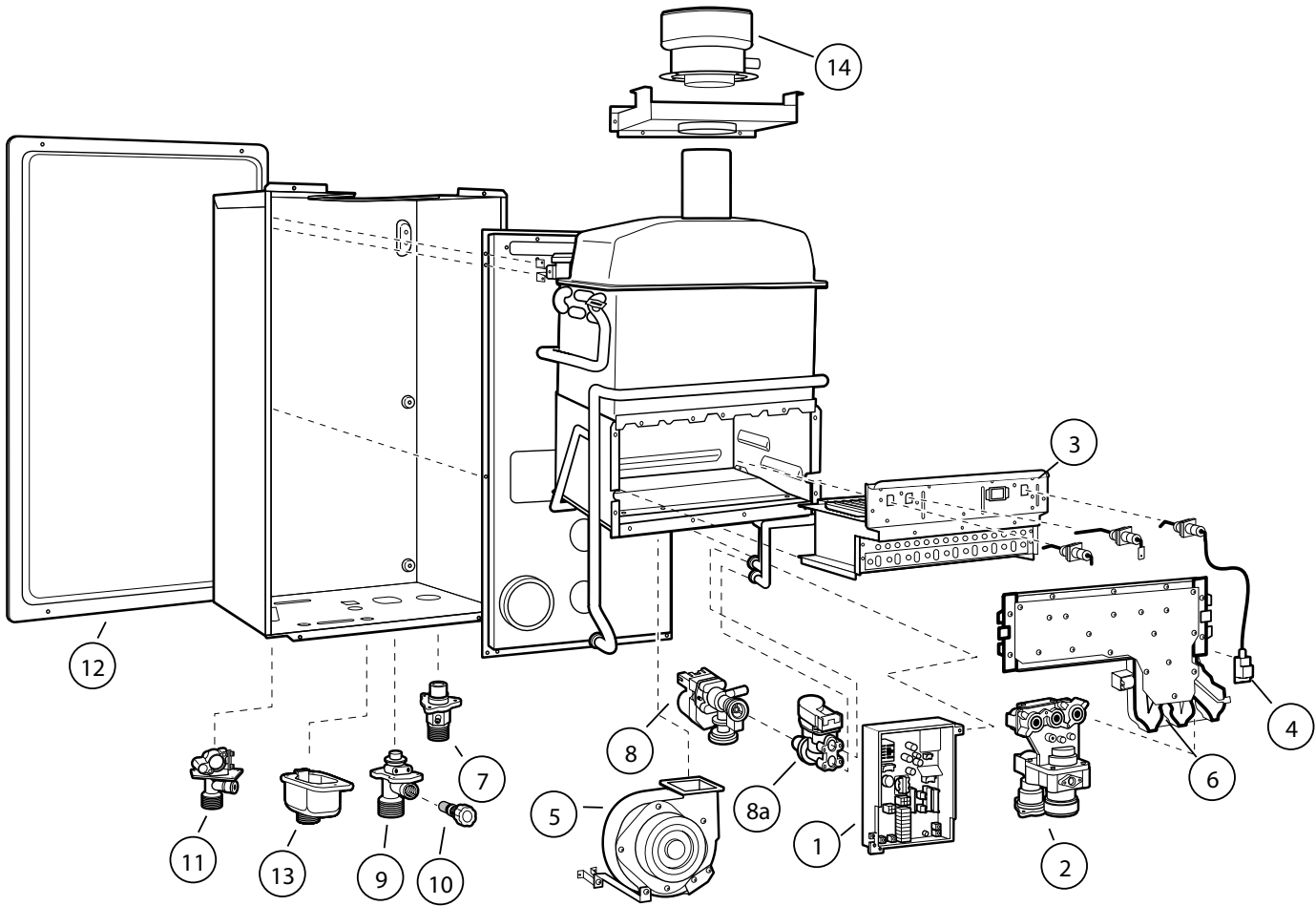
Ref #	Rheem Part #	Description	RTGH-C95XL	RTGH-CM95XL
1	RTG20239BH	Control Board	●	●
	RTG20239BV	Control Board	● <sup>1</sup>	● <sup>2</sup>
	RTG20006AR	Inlet Thermistor - White	●	●
	RTG20212BC	Heat Exchanger Thermistor - Yellow	●	●
	RTG20006BB	Outlet Thermistor - Black	●	●
	RTG20006UW	Ambient Thermistor - Blue	●	●
	RTG20239M	Thermistor Wiring Harness	●	●
2	RTG20239AY	Gas Control Valve	●	●
	RTG20239AD	Gas Control Wiring Harness	●	●
3	RTG20235U	Burner Assembly	●	●
	RTG20235C	Igniter Coil	●	●
	RTG20212BD	Igniter Rod (IG) (with gasket)	●	●
4	RTG20212AB	Blower Motor	●	●
	RTG20212AC	Blower Case	●	●
5	RTG20235W	Burner Manifold - LP	●	●
5	RTG20235V	Burner Manifold NAT	●	●
	RTG20212BE	Flame Rod FL-1 (with gasket)	●	●
	RTG20235AX	Flame Rod Wire (White)	●	●
6	RTG20164K	Gas Inlet Connector ¾"	●	●
7	RTG20164L	Water Control Valve	●	●
7	RTG20239BT	Water Control Valve	● <sup>1</sup>	● <sup>2</sup>
7a	RTG20235X	Bypass Assembly	●	●
8	RTG20164J	Water Inlet Connector ¾"	●	●
9	RTG20164AK	Inlet Water Filter	●	●
10	RTG20074CE	Hot Water Outlet Connector ¾"	●	●
	RTG20006AV	Drain Plug with Relief	●	●
11	RTG20164AA	Remote Control Terminal Block	●	●
	RTG20212U	Remote Control Terminal	●	●
12	RTG20239BU	Neutralization Replacement Kit	●	●
13	RTG20239Y	Front Cover - No Labels or Branding	●	●
	RTG20074EH	Gas Shutoff Valve ¾"	●	●
	RTG20186	Replacement Screw Kit	●	●
	RTG20206	Replacement O-Ring Kit	●	●
	RTG20235AB	Thermostat Assembly	●	●
14	AP18297-3	Smartec Translator Assembly		●
	AP18278	Smartec Communication Cable		●
	AP18286	Screw, 6-19 x 3/8 in.		●
	AP18279	Smartec Jumper Connector		●

<sup>1</sup>For RTGH-C95XLN models with serial number W171840369 or greater; or RTGH-C95XLP models with serial number W181826801

<sup>2</sup>For RTGH-CM95XLN models with serial number W181832981 or greater

See Pages 15 - 19 for Common Venting Accessories.

# Parts for RTG-64DVL-1, RTG-70DVL-1, RTG-84DVL-1, RTG-95DVL-1 Series



## Program Chips

Fuel Type	RTG-64DVLN/P-1	RTG-70DVLN/P-1	RTG-84DVLN/P-1	RTG-95DVLN/P-1
Natural	<b>RTG20235AN</b>	<b>RTG20235AY</b>	<b>RTG20235AJ</b>	<b>RTG20235AE</b>
Propane	<b>RTG20235AP</b>	<b>RTG20235AZ</b>	<b>RTG20235AK</b>	<b>RTG20235AF</b>

## 185°F Temperature Upgrade Kits - Commercial and Hydronic

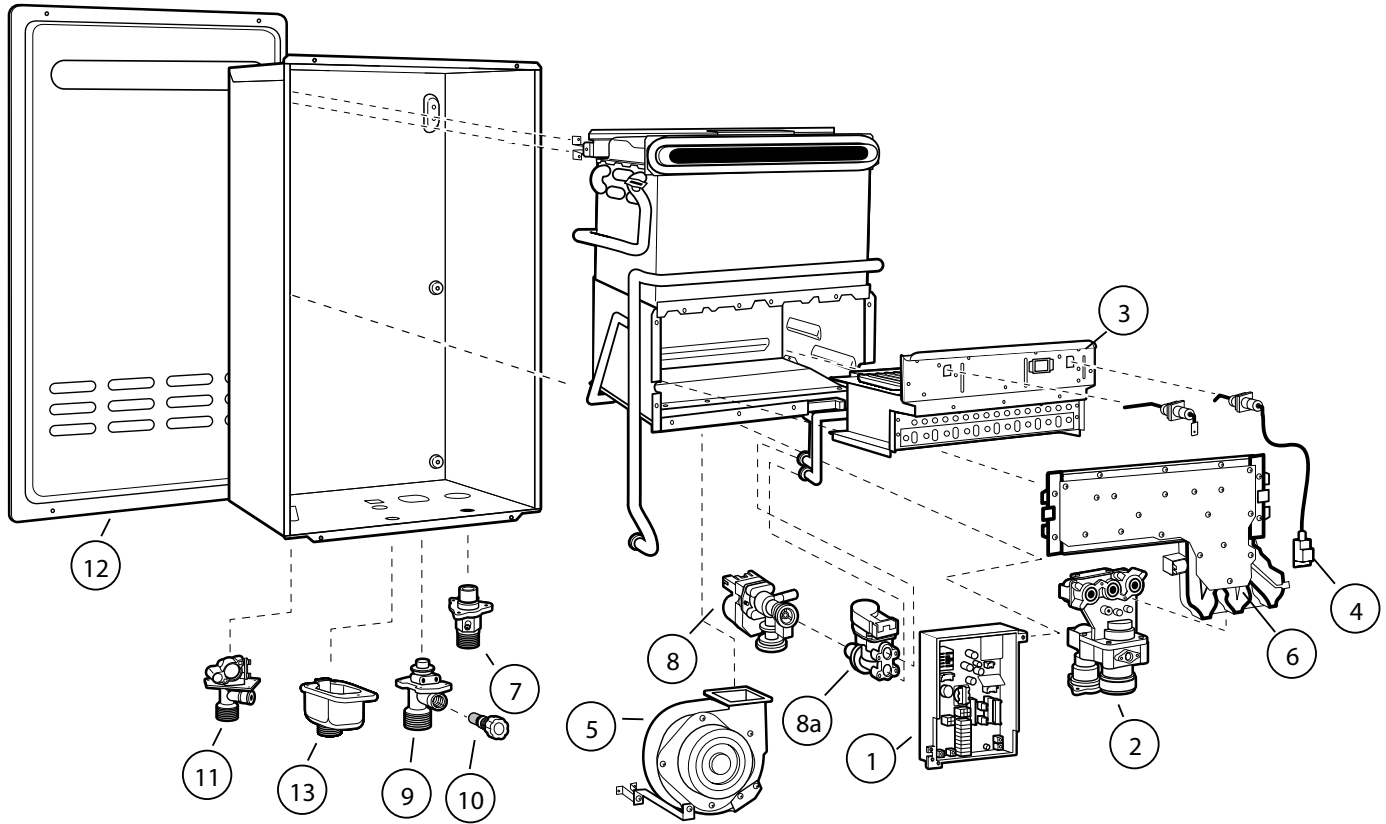
Fuel Type	RTG-64DVLN/P-1	RTG-70DVLN/P-1	RTG-84DVLN/P-1	RTG-95DVLN/P-1
Natural	-	-	<b>RTG20250A</b>	<b>RTG20249A</b>
Propane	-	-	<b>RTG20250B</b>	<b>RTG20249B</b>

## Parts for RTG-64DVL-1, RTG-70DVL-1, RTG-84DVL-1, RTG-95DVL-1 Series

Ref #	Rheem Part #	Description	RTG-64DVL-1 <i>(out of production)</i>	RTG-70DVL-1	RTG-84DVL-1	RTG-95DVL-1
1	RTG20235Y	Control Board	•	•	•	•
	RTG20164R	Ambient Thermistor - Blue	•	•	•	•
	RTG20212BC	Heat Exchanger Thermistor - Yellow	•	•	•	•
	RTG20006AR	Inlet Thermistor - White	•	•	•	•
	RTG20006BB	Outlet Thermistor - Black	•	•	•	•
	RTG20239M	Thermistor Wiring Harness	•	•	•	•
2	RTG20235AC	Gas Valve Assy	•	•	•	•
3	RTG20235AD	Burner Assembly	•	•	•	•
6	RTG20235V	Burner Manifold - NAT	•	•	•	•
6	RTG20235W	Burner Manifold - LP	•	•	•	•
	RTG20212BE	Flame Rod "FL1" (Right) w/gasket	•	•	•	•
8a	RTG20235X	Water Bypass Valve	•	•	•	•
	RTG20212J	Freeze Protection	•	•	•	•
	RTG20212BG	Flame Rod "Sensor" (Left) with wire and gasket	•	•	•	•
	RTG20223M	Flame Rod Wire (Blue)	•	•	•	•
	RTG20235AX	Flame Rod Wire (White)	•	•	•	•
4	RTG20235C	Igniter Coil	•	•	•	•
	RTG20212BD	Igniter Rod (Right) w/gasket	•	•	•	•
5	RTG20212K	Blower Motor	•	•	•	•
	RTG20212L	Blower Case	•	•	•	•
7	RTG20164K	Gas Inlet Connector ¾"	•	•	•	•
8	RTG20164L	Water Control Valve	•	•	•	•
9	RTG20164J	Water Inlet Connector ¾"	•	•	•	•
10	RTG20164AK	Inlet Water Filter	•	•	•	•
11	RTG20074CE	Hot Water Outlet Connector ¾"	•	•	•	•
12	RTG20235AU	Front Cover - No Labels or Branding	•	•	•	•
13	RTG20212U	Remote Control Terminal	•	•	•	•
	RTG20164AA	Remote Control Terminal Block	•	•	•	•
	RTG20006AV	Drain Plug with Relief	•	•	•	•
	RTG20212A	Top Mounting Bracket	•	•	•	•
	RTG20212B	Bottom Mounting Bracket	•	•	•	•
	RTG20164AB	Screw Pan FT 4X12	•	•	•	•
14	RTG20212BB	Concentric Vent Connector Assembly	•	•	•	•
	RTG20074EH	Gas Shutoff Valve ¾"	•	•	•	•
	RTG20186	Replacement Screw Kit	•	•	•	•
	RTG20206	Replacement O-Ring Kit	•	•	•	•
	RTG20235AB	Thermostat Assembly	•	•	•	•

See Pages 6 - 14 for Accessories, Manifold Systems, and Venting Options.

## Parts for RTG-64XL-1, RTG-70XL-1, RTG-84XL-1, RTG-95XL-1 Series



### Program Chips

Fuel Type	RTG-64XLN/P-1	RTG-70XLN/P-1	RTG-84XLN/P-1	RTG-95XLN/P-1
Natural	<b>RTG20235AR</b>	<b>RTG20235BA</b>	<b>RTG20235AL</b>	<b>RTG20235AG</b>
Propane	<b>RTG20235AS</b>	<b>RTG20235BB</b>	<b>RTG20235AM</b>	<b>RTG20235AH</b>

### 185°F Temperature Upgrade Kits - Commercial and Hydronic

Fuel Type	RTG-64XLN/P-1	RTG-70XLN/P-1	RTG-84XLN/P-1	RTG-95XLN/P-1
Natural	-	-	<b>RTG20250C</b>	<b>RTG20249C</b>
Propane	-	-	<b>RTG20250D</b>	<b>RTG20249D</b>

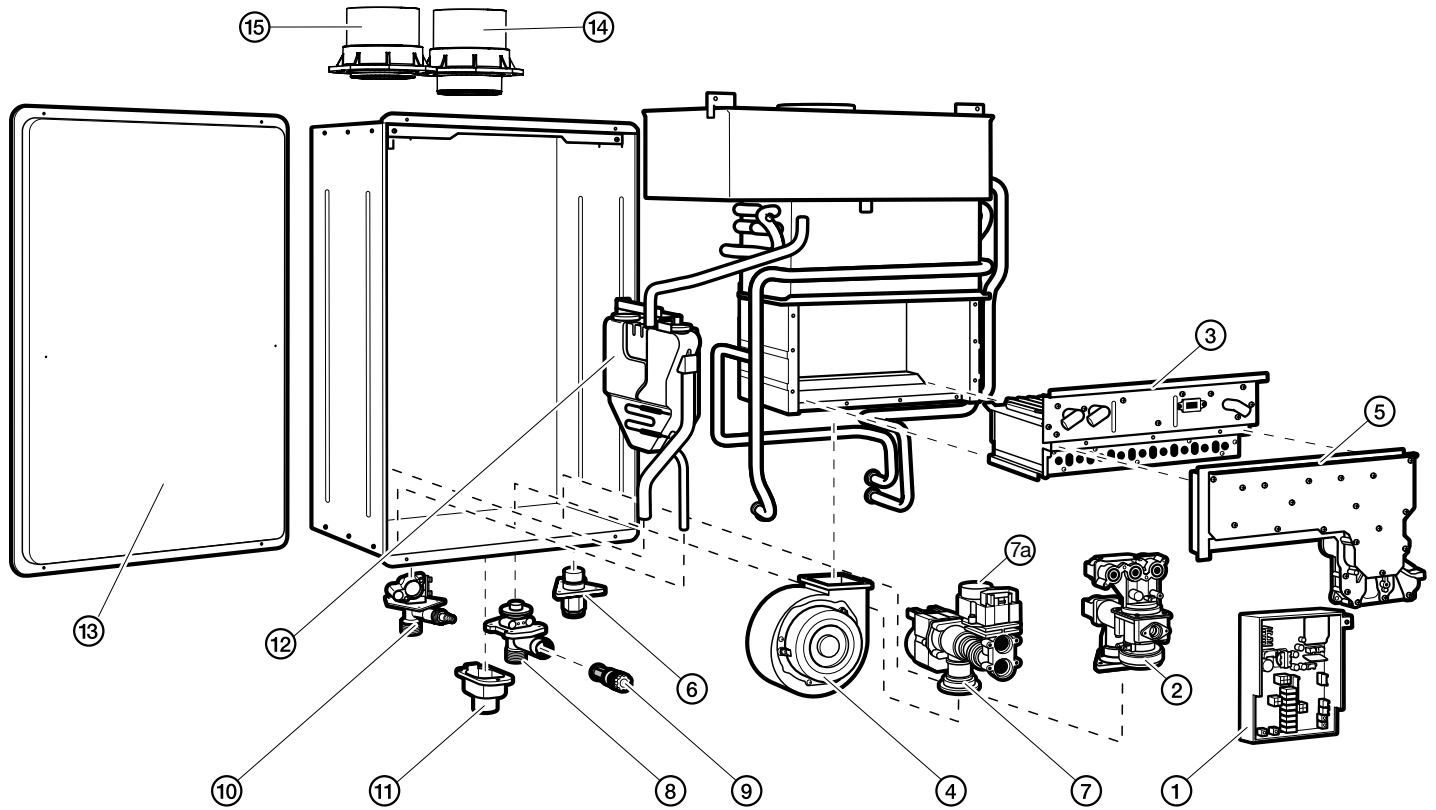


## Parts for RTG-64XL-1, RTG-70XL-1, RTG-84XL-1, RTG-95XL-1 Series

Ref #	Rheem Part #	Description	RTG-64XL-1 <i>(out of production)</i>	RTG-70XL-1	RTG-84XL-1	RTG-95XL-1
1	RTG20235Y	Control Board	•	•	•	•
	RTG20212BC	Heat Exchanger Thermistor - Yellow	•	•	•	•
	RTG20006BB	Outlet Thermistor - Black	•	•	•	•
	RTG20006AR	Inlet Thermistor - White	•	•	•	•
	RTG20006UW	Ambient Thermistor - Blue	•	•	•	•
	RTG20239M	Thermistor Wiring Harness	•	•	•	•
2	RTG20235T	Gas Valve Assy	•	•	•	•
	RTG20212J	Freeze Protection	•	•	•	•
3	RTG20235U	Burner Assembly	•	•	•	•
	RTG20212BE	Flame Rod "FL" (Right) w/gasket	•	•	•	•
	RTG20212BD	Igniter Rod (Right) w/gasket	•	•	•	•
	RTG20235AX	Flame Rod Connector (White)	•	•	•	•
4	RTG20235C	Igniter Coil	•	•	•	•
5	RTG20212AB	Blower Motor	•	•	•	•
	RTG20212AC	Blower Case	•	•	•	•
6	RTG20235V	Burner Manifold - NAT	•	•	•	•
6	RTG20235W	Burner Manifold - LP	•	•	•	•
7	RTG20164K	Gas Inlet Connector ¾"	•	•	•	•
8	RTG20164L	Water Control Valve	•	•	•	•
8a	RTG20235X	Water Bypass Valve	•	•	•	•
9	RTG20164J	Water Inlet Connector ¾"	•	•	•	•
	RTG20006AV	Drain Plug with Relief	•	•	•	•
10	RTG20164AK	Inlet Water Filter	•	•	•	•
11	RTG20074CE	Hot Water Outlet Connector ¾"	•	•	•	•
	RTG20164AB	Screw Pan FT 4X12	•	•	•	•
12	RTG20235AT	Front Cover - No Labels or Branding	•	•	•	•
	RTG20074EH	Gas Shutoff Valve ¾"	•	•	•	•
	RTG20186	Replacement Screw Kit	•	•	•	•
	RTG20206	Replacement O-Ring Kit	•	•	•	•
	RTG20235AB	Thermostat Assembly	•	•	•	•
13	RTG20164AA	Remote Control Terminal Block	•	•	•	•

See Pages 6 - 14 for Accessories, Manifold Systems, and Venting Options.

## Parts for RTGH-84, RTGH-90, RTGH-95 DV and DVL Series (out of production)



### Program Chips

Fuel Type	RTGH-84DV	RTGH-95DV	RTGH-84DVL	RTGH-90DVL	RTGH-95DVL
Natural	RTG20228T	RTG20228N	RTG20239G	RTG20239P	RTG20239C
Propane	RTG20228U	RTG20228P	RTG20239H	RTG20239R	RTG20239D

### 185°F Temperature Upgrade Kits - Commercial and Hydronic

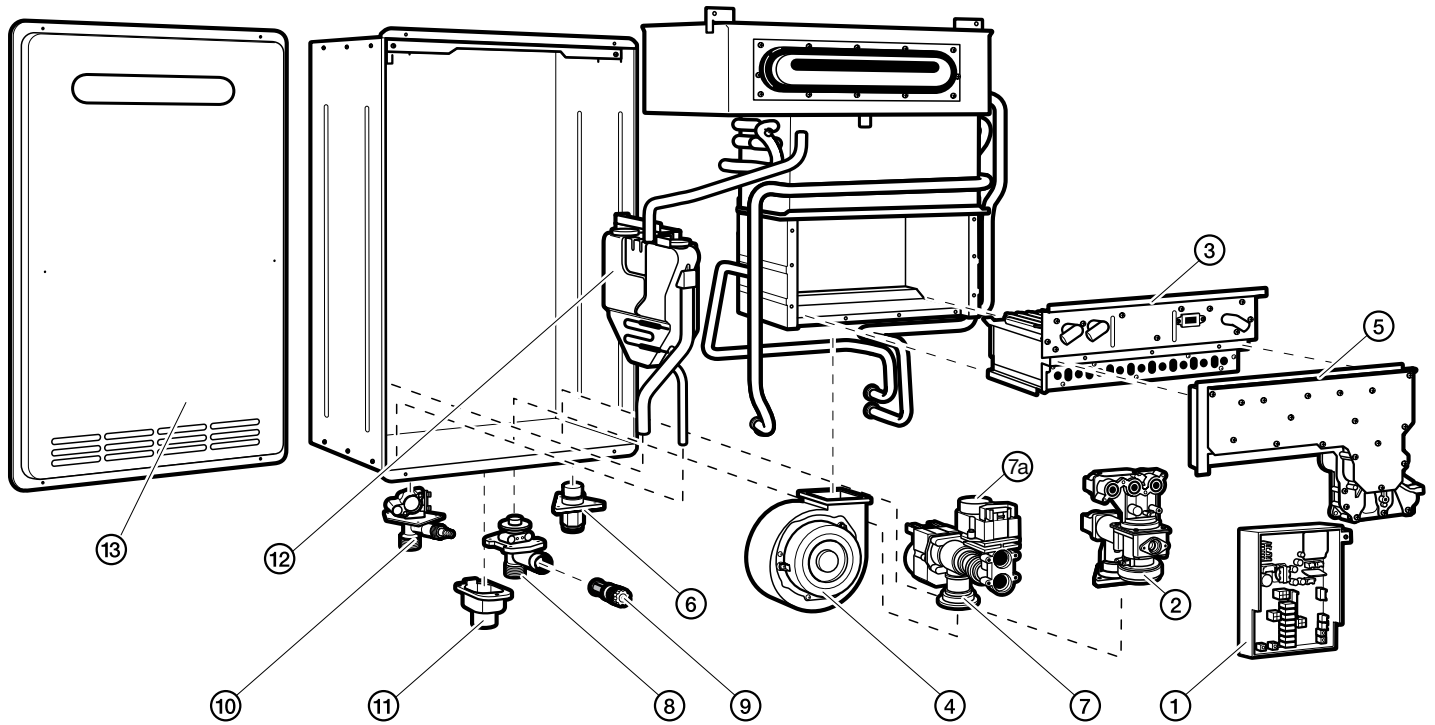
Fuel Type	RTGH-84DV	RTGH-95DV	RTGH-84DVL	RTGH-90DVL	RTGH-95DVL
Natural	RTG20225A	RTG20224A	RTG20241A	RTG20244A	RTG20240A
Propane	RTG20225B	RTG20224B	RTG20241B	RTG20244B	RTG20240B

## Parts for RTGH-84, RTGH-90, RTGH-95 DV and DVL Series (out of production)

Ref #	Rheem Part #	Description	RTGH-84DV	RTGH-95DV	RTGH-84DVL	RTGH-90DVL	RTGH-95DVL
1	RTG20223P	Control Board	•	•			
1	RTG20239B	Control Board			•	•	•
	RTG20223D	Inlet Thermistor - White	•	•			
	RTG20006AR	Inlet Thermistor - White			•	•	•
	RTG20223G	Heat Exchanger Thermistor - Green	•	•			
	RTG20212BC	Heat Exchanger Thermistor - Yellow	•	•	•	•	•
	RTG20223H	Outlet Thermistor - Black	•	•			
	RTG20006BB	Outlet Thermistor - Black			•	•	•
	RTG20223J	Ambient Thermistor - Blue	•	•			
	RTG20006UW	Ambient Thermistor - Blue			•	•	•
	RTG20223L	Vent High Temperature Limit Switch	•	•	•	•	•
	RTG20223W	Thermistor Wiring Harness	•	•			
	RTG20239M	Thermistor Wiring Harness			•	•	•
2	RTG20212V	Gas Control Valve	•	•	•	•	•
	RTG20223V	Gas Control Wiring Harness	•	•			
	RTG20239L	Gas Control Wiring Harness			•	•	•
3	RTG20212D	Burner Assembly	•	•	•	•	•
	RTG20235C	Igniter Coil	•	•	•	•	•
	RTG20212BD	Igniter Rod (IG) (with gasket)	•	•	•	•	•
4	RTG20212K	Blower Motor	•	•	•	•	•
	RTG20223K	Blower Case	•	•	•	•	•
5	RTG20212F	Burner Manifold LP	•	•			
5	RTG20235B	Burner Manifold - LP			•	•	•
5	RTG20212X	Burner Manifold NAT	•	•			
5	RTG20239A	Burner Manifold NAT			•	•	•
	RTG20212BE	Flame Rod FL-1 (with gasket)	•	•	•	•	•
	RTG20212P	Flame Rod Wire (White)	•	•	•	•	•
	RTG20212BG	Flame Rod FL-2 (with gasket)	•	•	•	•	•
	RTG20223M	Flame Rod Wire (Blue)	•	•	•	•	•
6	RTG20164K	Gas Inlet Connector ¾"	•	•	•	•	•
7	RTG20223E	Water Control Valve	•	•			
7	RTG20164L	Water Control Valve			•	•	•
7a	RTG20235X	Bypass Assembly	•	•	•	•	•
8	RTG20164J	Water Inlet Connector ¾"	•	•	•	•	•
9	RTG20164AK	Inlet Water Filter	•	•	•	•	•
10	RTG20074CE	Hot Water Outlet Connector ¾"	•	•	•	•	•
11	RTG20164AA	Remote Control Terminal Block	•	•	•	•	•
	RTG20212U	Remote Control Terminal	•	•	•	•	•
12	RTG20223F	Neutralization Replacement Kit for DV series	•	•			
12	RTG20239N	Neutralization Replacement Kit for DVL series			•	•	•
13	RTG20223B	Front Cover - No Labels or Branding	•	•	•	•	•
14	RTG20223Y	Exhaust Vent Outlet Connector - PVC	•	•	•	•	•
15	RTG20223X	Air Intake Inlet Connector - PVC	•	•	•	•	•
	RTG20074EH	Gas Shutoff Valve ¾"	•	•	•	•	•
	RTG20186	Replacement Screw Kit	•	•	•	•	•
	RTG20206	Replacement O-Ring Kit	•	•	•	•	•

See Pages 6 - 14 for Accessories, Manifold Systems, and Venting Options.

## Parts for RTGH-84, RTGH-90, RTGH-95 X and XL Series (out of production)



### Program Chips

Fuel Type	RTGH-84X	RTGH-95X	RTGH-84XL	RTGH-90XL	RTGH-95XL
Natural	RTG20228V	RTG20228R	RTG20239J	RTG20239S	RTG20239E
Propane	RTG20228W	RTG20228S	RTG20239K	RTG20239T	RTG20239F

### 185°F Temperature Upgrade Kits - Commercial and Hydronic

Fuel Type	RTGH-84X	RTGH-95X	RTGH-84XL	RTGH-90XL	RTGH-95XL
Natural	RTG20225C	RTG20224C	RTG20241C	RTG20244C	RTG20240C
Propane	RTG20225D	RTG20224D	RTG20241D	RTG20244D	RTG20240D

## Parts for RTGH-84, RTGH-95 X and XL Series (out of production)

Ref #	Rheem Part #	Description	RTGH-84X	RTGH-95X	RTGH-84XL	RTGH-90XL	RTGH-95XL
1	RTG20223P	Control Board	•	•			
	RTG20239B	Control Board			•	•	•
	RTG20223D	Inlet Thermistor - White	•	•			
	RTG20006AR	Inlet Thermistor - White			•	•	•
	RTG20223G	Heat Exchanger Thermistor - Green	•	•			
	RTG20212BC	Heat Exchanger Thermistor - Yellow	•	•	•	•	•
	RTG20223H	Outlet Thermistor - Black	•	•			
	RTG20006BB	Outlet Thermistor - Black			•	•	•
	RTG20223J	Ambient Thermistor - Blue	•	•			
	RTG20006UW	Ambient Thermistor - Blue			•	•	•
	RTG20223W	Thermistor Wiring Harness	•	•			
	RTG20239M	Thermistor Wiring Harness			•	•	•
2	RTG20212V	Gas Control Valve	•	•	•	•	•
	RTG20223V	Gas Control Wiring Harness	•	•			
	RTG20239L	Gas Control Wiring Harness			•	•	•
3	RTG20212W	Burner Assembly	•	•	•	•	•
	RTG20235C	Igniter Coil	•	•	•	•	•
	RTG20212BD	Igniter Rod (IG) (with gasket)	•	•	•	•	•
4	RTG20212AB	Blower Motor	•	•	•	•	•
	RTG20212AC	Blower Case	•	•	•	•	•
5	RTG20212F	Burner Manifold LP	•	•			
5	RTG20235B	Burner Manifold - LP			•	•	•
5	RTG20212X	Burner Manifold NAT	•	•			
5	RTG20235A	Burner Manifold NAT			•	•	•
	RTG20212BE	Flame Rod FL-1 (with gasket)	•	•	•	•	•
	RTG20212P	Flame Rod Wire (White)	•	•	•	•	•
6	RTG20164K	Gas Inlet Connector ¾"	•	•	•	•	•
7	RTG20223E	Water Control Valve	•	•			
	RTG20164L	Water Control Valve			•	•	•
7a	RTG20235X	Bypass Assembly	•	•	•	•	•
8	RTG20164J	Water Inlet Connector ¾"	•	•	•	•	•
9	RTG20164AK	Inlet Water Filter	•	•	•	•	•
10	RTG20074CE	Hot Water Outlet Connector ¾"	•	•	•	•	•
	RTG20006AV	Drain Plug with Relief	•	•	•	•	•
11	RTG20164AA	Remote Control Terminal Block	•	•	•	•	•
	RTG20212U	Remote Control Terminal	•	•	•	•	•
12	RTG20223F	Neutralization Replacement Kit for DV series	•	•			
12	RTG20239N	Neutralization Replacement Kit for DVL series			•	•	•
13	RTG20223A	Front Cover - No Labels or Branding	•	•	•	•	•
	RTG20074EH	Gas Shutoff Valve ¾"	•	•	•	•	•
	RTG20186	Replacement Screw Kit	•	•	•	•	•
	RTG20206	Replacement O-Ring Kit	•	•	•	•	•

See Pages 6 - 14 for Accessories, Manifold Systems, and Venting Options.

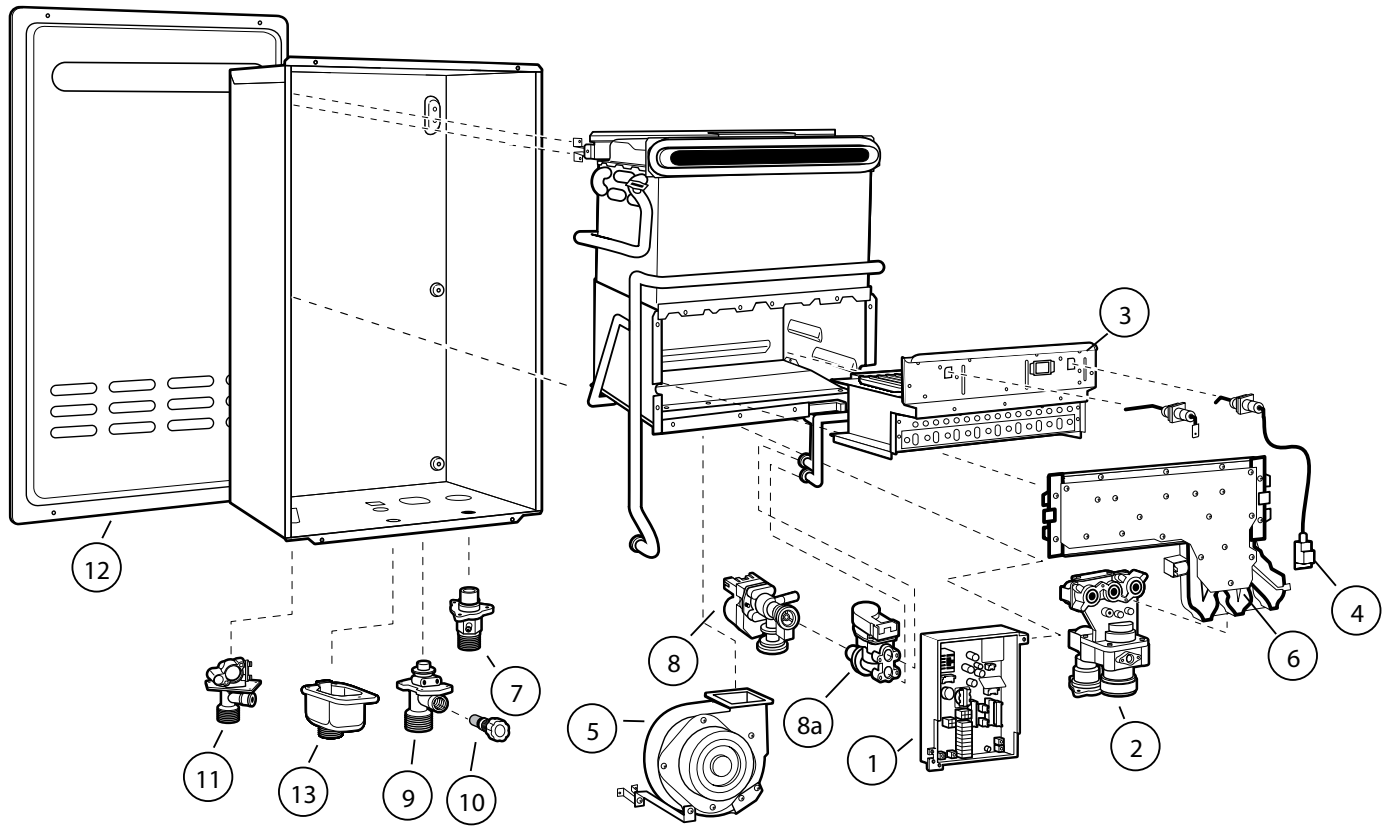


## Parts for RTG-64, RTG-84, RTG-95, DV and DVL Series (out of production)

Ref #	Rheem Part #	Description	RTG-64DV	RTG-84DV	RTG-95DV	RTG-64DVL	RTG-84DVL	RTG-95DVL
1	RTG20212R	Control Board	•	•	•			
	RTG20235D	Control Board				•	•	•
	RTG20164R	Ambient Thermistor - Blue	•	•	•	•	•	•
	RTG20212BC	Heat Exchanger Thermistor - Yellow	•	•	•	•	•	•
	RTG20006AR	Inlet Thermistor - White	•	•	•	•	•	•
	RTG20006BB	Outlet Thermistor - Black	•	•	•	•	•	•
	RTG20239M	Thermistor Wiring Harness	•	•	•	•	•	•
2	RTG20212C	Gas Valve Assy	•	•	•	•	•	•
3	RTG20212D	Burner Assembly	•	•	•	•	•	•
6	RTG20212E	Burner Manifold - NAT	•	•	•			
	RTG20235A	Burner Manifold - NAT				•	•	•
6	RTG20212F	Burner Manifold - LP	•	•	•			
	RTG20235B	Burner Manifold - LP				•	•	•
	RTG20212BE	Flame Rod "FL1" (Right) w/gasket	•	•	•	•	•	•
	RTG20212J	Gas Control Resistor	•	•	•	•	•	•
	RTG20212BG	Flame Rod "Sensor" (Left) w/gasket	•	•	•	•	•	•
	RTG20212N	Flame Rod Wire (Blue)	•	•	•	•	•	•
	RTG20212P	Flame Rod Wire (White)	•	•	•	•	•	•
4	RTG20235C	Igniter Coil	•	•	•	•	•	•
	RTG20212BD	Igniter Rod (Right) w/gasket	•	•	•	•	•	•
5	RTG20212K	Blower Motor	•	•	•	•	•	•
	RTG20212L	Blower Case	•	•	•	•	•	•
7	RTG20164K	Gas Inlet Connector ¾"	•	•	•	•	•	•
8	RTG20164L	Water Control Valve	•	•	•	•	•	•
8a	RTG20235X	Water Bypass Valve	•	•	•	•	•	•
9	RTG20164J	Water Inlet Connector ¾"	•	•	•	•	•	•
10	RTG20164AK	Inlet Water Filter	•	•	•	•	•	•
11	RTG20074CE	Hot Water Outlet Connector ¾"	•	•	•	•	•	•
12	RTG20212BA	Front Cover - No Labels or Branding	•	•	•	•	•	•
13	RTG20212U	Remote Control Terminal	•	•	•	•	•	•
	RTG20164AA	Remote Control Terminal Block	•	•	•	•	•	•
	RTG20006AV	Drain Plug with Relief	•	•	•	•	•	•
	RTG20212A	Top Mounting Bracket	•	•	•	•	•	•
	RTG20212B	Bottom Mounting Bracket	•	•	•	•	•	•
	RTG20164AB	Screw Pan FT 4X12	•	•	•	•	•	•
14	RTG20212BB	Concentric Vent Connector Assembly	•	•	•	•	•	•
	RTG20074EH	Gas Shutoff Valve ¾"	•	•	•	•	•	•
	RTG20186	Replacement Screw Kit	•	•	•	•	•	•
	RTG20206	Replacement O-Ring Kit	•	•	•	•	•	•

See Pages 6 - 14 for Accessories, Manifold Systems, and Venting Options.

## Parts for RTG-64, RTG-84, RTG-95, X and XL Series (out of production)



### Program Chips

Fuel Type	RTG-64X	RTG-84X	RTG-95X	RTG-64XL	RTG-84XL	RTG-95XL
Natural	RTG20212AE	RTG20212AN	RTG20212AX	RTG20235R	RTG20235L	RTG20235G
Propane	RTG20212AH	RTG20212AP	RTG20212AY	RTG20235S	RTG20235M	RTG20235H

### 185°F Temperature Upgrade Kits - Commercial and Hydronic

Fuel Type	RTG-64X	RTG-84X	RTG-95X	RTG-64XL	RTG-84XL	RTG-95XL
Natural	—	RTG20216C	RTG20214C	—	RTG20237C	RTG20236C
Propane	—	RTG20216D	RTG20214D	—	RTG20237D	RTG20236D

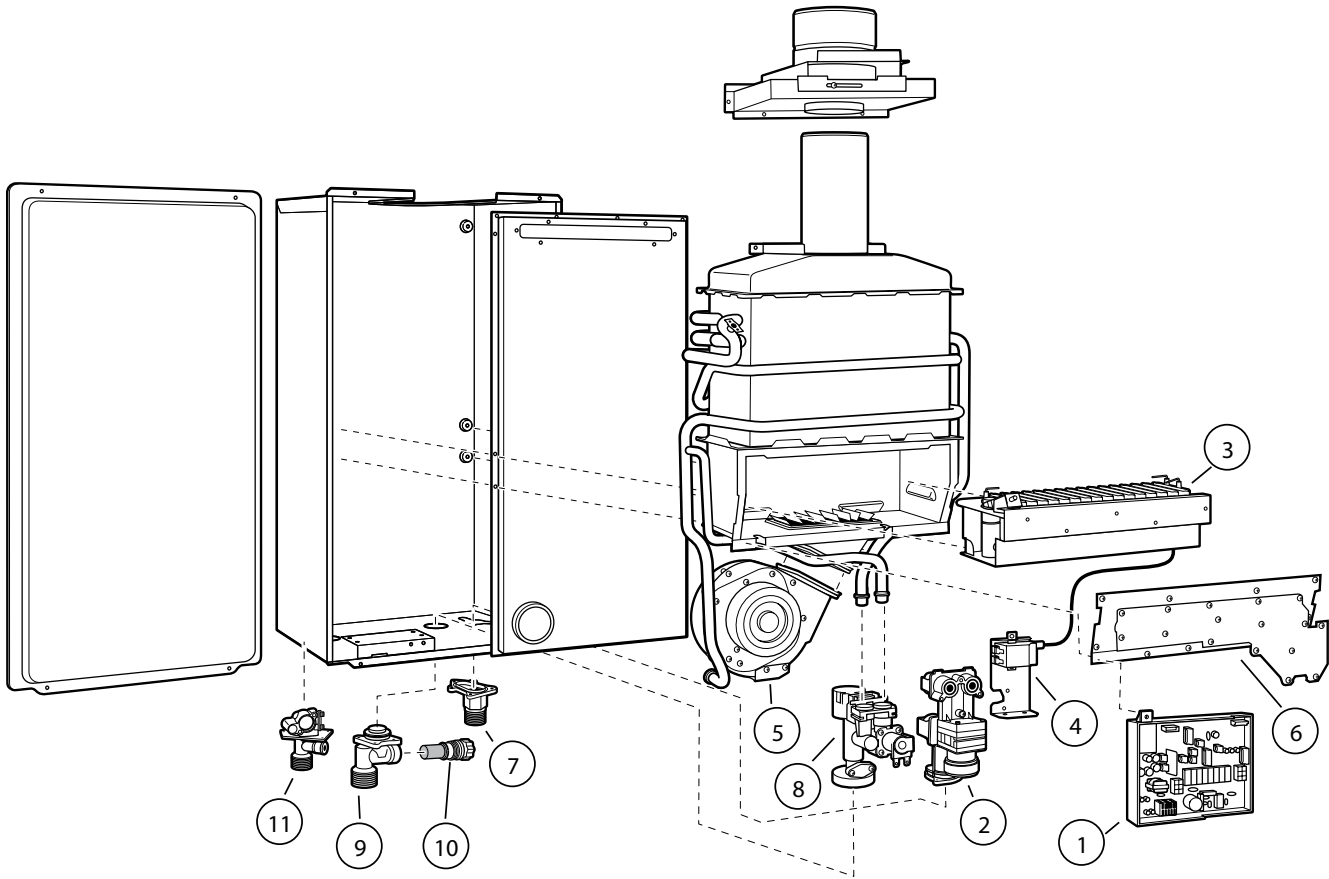


## Parts for RTG-64, RTG-84, RTG-95, X and XL Series (out of production)

Ref #	Rheem Part #	Description	RTG-64X	RTG-84X	RTG-95X	RTG-64XL	RTG-84XL	RTG-95XL
1	RTG20212AD	Control Board	•	•	•			
	RTG20235D	Control Board				•	•	•
	RTG20212BC	Heat Exchanger Thermistor - Yellow	•	•	•	•	•	•
	RTG20006BB	Outlet Thermistor - Black	•	•	•	•	•	•
	RTG20006AR	Inlet Thermistor - White	•	•	•	•	•	•
	RTG20006UW	Ambient Thermistor - Blue	•	•	•	•	•	•
	RTG20239M	Thermistor Wiring Harness	•	•	•	•	•	•
2	RTG20212V	Gas Valve Assy	•	•	•	•	•	•
	RTG20212J	Gas Control Resister	•	•	•	•	•	•
3	RTG20212W	Burner Assembly	•	•	•	•	•	•
	RTG20212BE	Flame Rod "FL" (Right) w/gasket	•	•	•	•	•	•
	RTG20212BD	Igniter Rod (Right) w/gasket	•	•	•	•	•	•
	RTG20212P	Flame Rod Connector (White)	•	•	•	•	•	•
4	RTG20235C	Igniter Coil	•	•	•	•	•	•
5	RTG20212AB	Blower Motor	•	•	•	•	•	•
	RTG20212AC	Blower Case	•	•	•	•	•	•
6	RTG20212X	Burner Manifold - NAT	•	•	•			
	RTG20235A	Burner Manifold - NAT				•	•	•
	RTG20212F	Burner Manifold - LP	•	•	•			
	RTG20235B	Burner Manifold - LP				•	•	•
7	RTG20164K	Gas Inlet Connector ¾"	•	•	•	•	•	•
8	RTG20164L	Water Control Valve	•	•	•	•	•	•
8a	RTG20235X	Water Bypass Valve	•	•	•	•	•	•
9	RTG20164J	Water Inlet Connector ¾"	•	•	•	•	•	•
	RTG20006AV	Drain Plug with Relief	•	•	•	•	•	•
10	RTG20164AK	Inlet Water Filter	•	•	•	•	•	•
11	RTG20074CE	Hot Water Outlet Connector ¾"	•	•	•	•	•	•
12	RTG20212AZ	Front Cover - No Labels or Branding	•	•	•	•	•	•
	RTG20074EH	Gas Shutoff Valve ¾"	•	•	•	•	•	•
	RTG20186	Replacement Screw Kit	•	•	•	•	•	•
	RTG20206	Replacement O-Ring Kit	•	•	•	•	•	•
13	RTG20212U	Remote Control Terminal	•	•	•	•	•	•
	RTG20164AA	Remote Control Terminal Block	•	•	•	•	•	•
	RTG20164AB	Screw Pan FT 4X12	•	•	•	•	•	•

See Pages 6 - 14 for Accessories, Manifold Systems, and Venting Options.

## Parts for RTG-53DV Series (out of production)



### Sea-Level Program Chips

Fuel Type	Description	RTG-53DV
Natural Gas	Program Chip - 0-3280 NAT	<b>RTG20074FS</b>
Propane	Program Chip - 0-3280 LP	<b>RTG20074FN</b>

### High Altitude Program Chips - 3281 - 6560 Feet

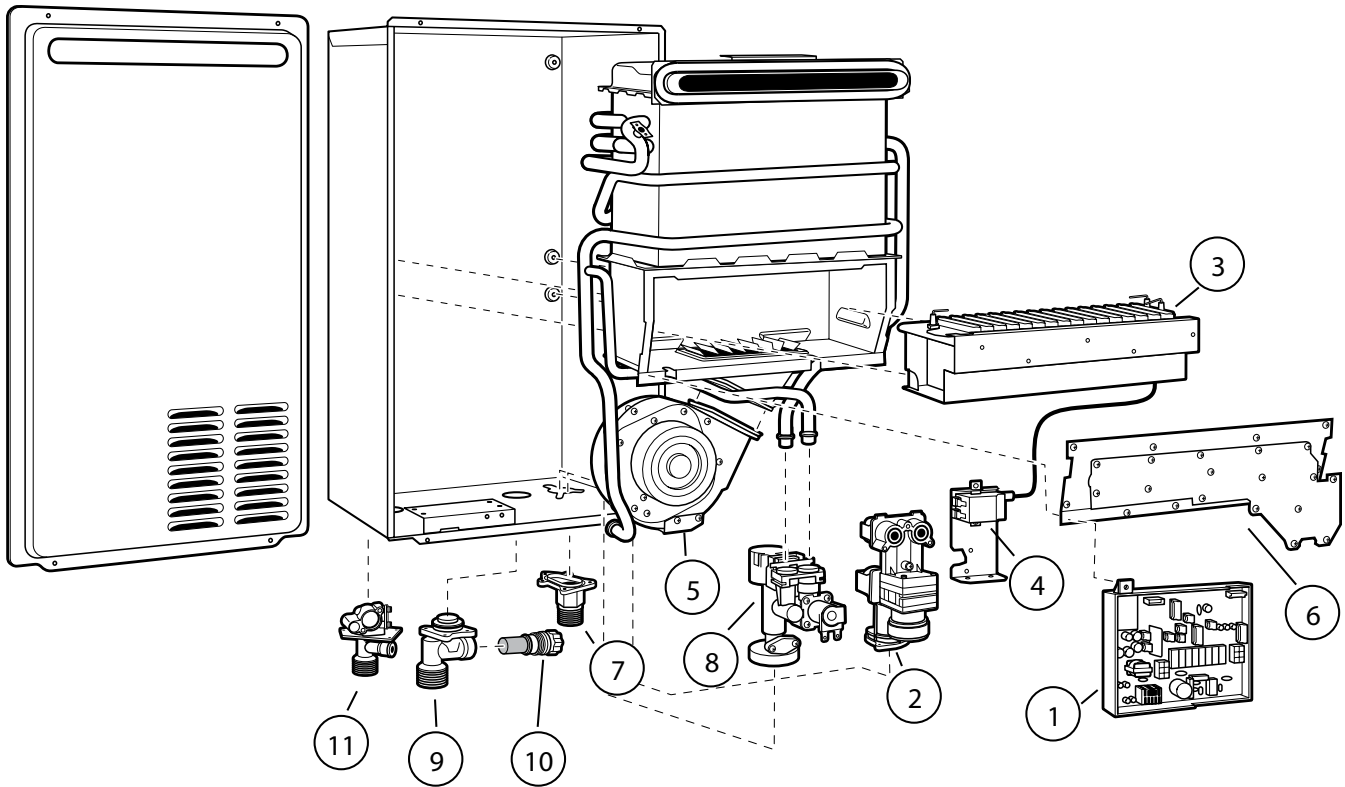
Fuel Type	Description	RTG-53DV
Natural Gas	Program Chip - 3281-6560 NAT	<b>RTG20074FT</b>
Propane	Program Chip - 3281-6560 LP	<b>RTG20074FP</b>

Chips for installations above 6560 ft. are not available for the 53DV Model

## Parts for RTG-53DV series (out of production)

Ref #	Rheem Part #	Description	RTG-53DV
1	RTG20074DU	Control Board	•
	RTG20006CS	Control Board Fuse (5A)	•
	RTG20074EE	Power Line Fuse (3A)	•
2	RTG20074AH	Gas Valve LP	•
	RTG20074GH	Gas Valve NAT	•
3	RTG20074AS	Burner Assembly LP	•
3	RTG20074AT	Burner Assembly NAT	•
	RTG20074DR	Flame Rod Wire - White	•
	RTG20074DS	Flame Rod Wire - Red	•
4	RTG20074DM	Igniter Coil	•
	RTG20074DN	Flame Rod	•
	RTG20074DL	Igniter Electrode	•
5	RTG20074DB	Fan Assembly	•
6	RTG20074BA	Burner Manifold	•
8	RTG20074BT	Water Control Valve	•
	RTG20006AR	Inlet Thermistor - White	•
	RTG20006BB	Outlet Thermistor - Black	•
	RTG20006BC	Heat Exchanger Thermistor - Yellow	•
	RTG20074CY	Ambient Thermistor - Blue	•
9	RTG20006AL	Water Inlet Connector ¾"	•
10	RTG20006AS	Inlet Water Filter	•
11	RTG20074CE	Hot Outlet Connector	•
	RTG20006AW	Drain Relief Valve	•
	RTG20074AA	Mounting Brackets	•
	RTG20074EH	Gas Shutoff Valve ¾"	•
7	RTG20074GJ	Gas Inlet Connector ¾" LP	•
7	RTG20074GK	Gas Inlet Connector ¾" NAT	•
	RTG20074Y	Mounting Brackets	•
	RTG20074AA	Mounting Brackets	•
	RTG20186	Replacement Screw Kit	•
	RTG20206	Replacement O-Ring Kit	•

## Parts for RTG-53X Series (out of production)



### Sea-Level Program Chip - 0 - 3280 Feet

Fuel Type	Description	RTG-53X
Natural Gas	Program Chip - 0-3280 NAT	<b>RTG20074FY</b>
Propane	Program Chip - 0-3280 LP	<b>RTG20074FV</b>

### High Altitude Program Chips - 3281 - 6560 Feet

Fuel Type	Description	RTG-53X
Natural Gas	Program Chip - 3281-6560 NAT	<b>RTG20074FZ</b>
Propane	Program Chip - 3281-6560 LP	<b>RTG20074FW</b>

### Ultra High Altitude Program Chips - 6560 - 9840 Feet

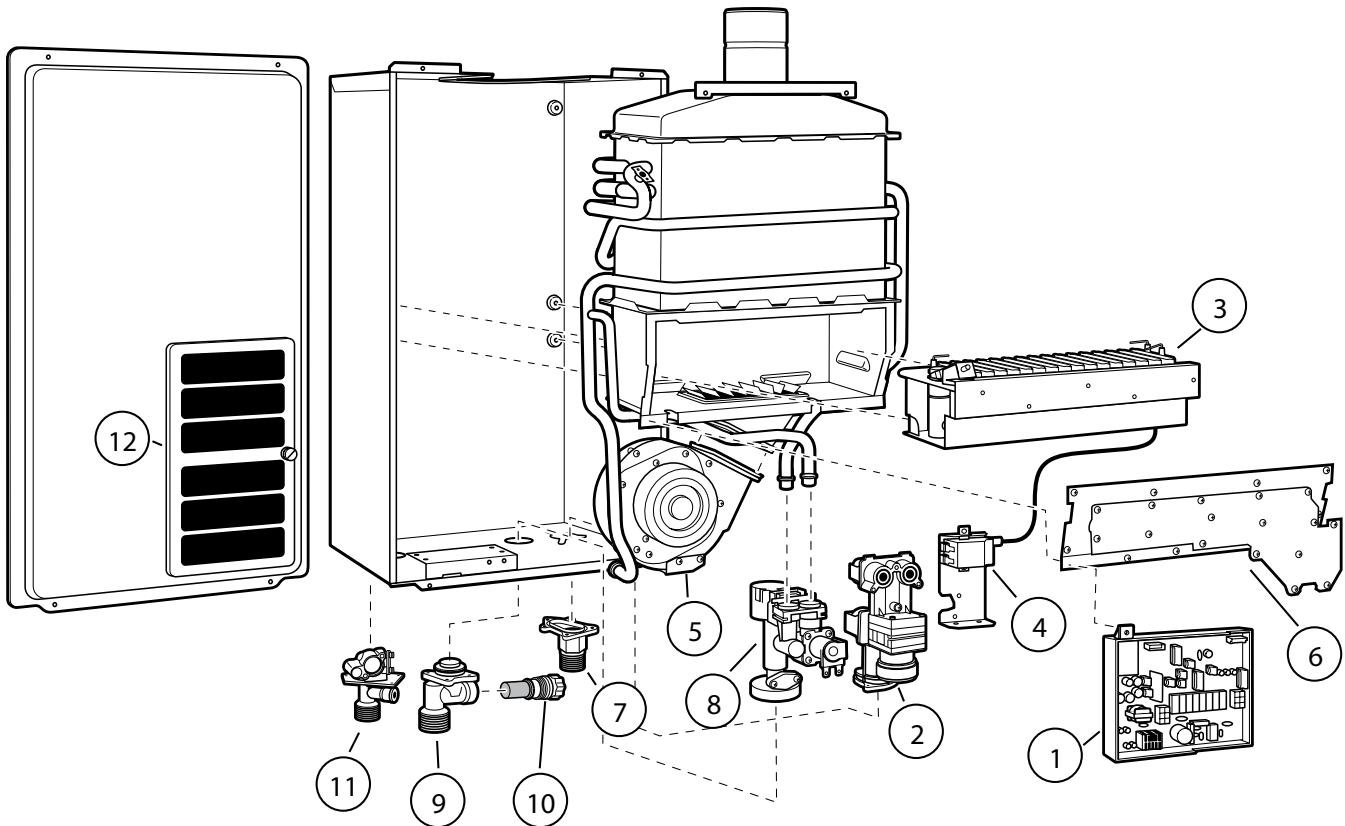
Fuel Type	Description	RTG-53X
Natural Gas	Program Chip - 6560-9840 NAT	<b>RTG20074GA</b>
Propane	Program Chip - 6560-9840 LP	<b>RTG20074FX</b>

## Parts for RTG-53X Series (out of production)

Ref #	Rheem Part #	Description	RTG-53X
1	RTG20074DU	Control Board	•
	RTG20006CS	Control Board Fuse (5A)	•
	RTG20074EE	Power Line Fuse (3A)	•
2	RTG20074AF	Gas Valve LP	•
	RTG20074AG	Gas Valve NAT	•
3	RTG20074AU	Burner Assembly LP	•
3	RTG20074AV	Burner Assembly NAT	•
	RTG20074DR	Flame Rod Wire - White	•
	RTG20074DS	Flame Rod Wire - Red	•
4	RTG20074DM	Igniter Coil	•
	RTG20074DN	Flame Rod	•
	RTG20074DL	Igniter Electrode	•
5	RTG20074DC	Fan Assembly	•
	RTG20074DF	Fan Housing	•
6	RTG20074BC	Burner Manifold LP	•
	RTG20074BD	Burner Manifold NAT	•
7	RTG20074GJ	Gas Inlet Connector ¾" LP	•
	RTG20074GK	Gas Inlet Connector ¾" NAT	•
8	RTG20074BT	Water Control Valve	•
	RTG20006AR	Inlet Thermistor - White	•
	RTG20006BB	Outlet Thermistor - Black	•
	RTG20006BC	Heat Exchanger Thermistor - Yellow	•
	RTG20006UW	Ambient Thermistor - Blue	•
9	RTG20006AL	Water Inlet Connector ¾"	•
10	RTG20006AS	Inlet Water Filter	•
11	RTG20074CE	Hot Outlet Connector	•
	RTG20006AV	Drain Relief Valve	•
	RTG20074EH	Gas Shutoff Valve ¾"	•
	RTG20074S	Mounting Brackets	•
	RTG20186	Replacement Screw Kit	•
	RTG20206	Replacement O-Ring Kit	•

For parts not listed, please contact Customer Service 1-800-621-5622

## Parts for RTG-53PV and RTG2-42PV Series (out of production)



### Sea-Level Program Chip

Fuel Type	Description	RTG2-42PV	RTG-53PV
Natural Gas	Program Chip - 0-3280 NAT	<b>RTG20074GE</b>	<b>RTG20074FK</b>
Propane	Program Chip - 0-3280 LP	<b>RTG20074GB</b>	<b>RTG20074FG</b>

### High Altitude Program Chips - 3281 - 6560 Feet

Fuel Type	Description	RTG2-42PV	RTG-53PV
Natural Gas	Program Chip - 3281-6560 NAT	<b>RTG20074GF</b>	<b>RTG20074FL</b>
Propane	Program Chip - 3281-6560 LP	<b>RTG20074GC</b>	<b>RTG20074FH</b>

### Ultra High Altitude Program Chips - 6560 - 9840 Feet

Fuel Type	Description	RTG2-42PV	RTG-53PV
Natural Gas	Program Chip - 6560-9840 NAT	<b>RTG20074GG</b>	—
Propane	Program Chip - 6560-9840 LP	<b>RTG20074GD</b>	—

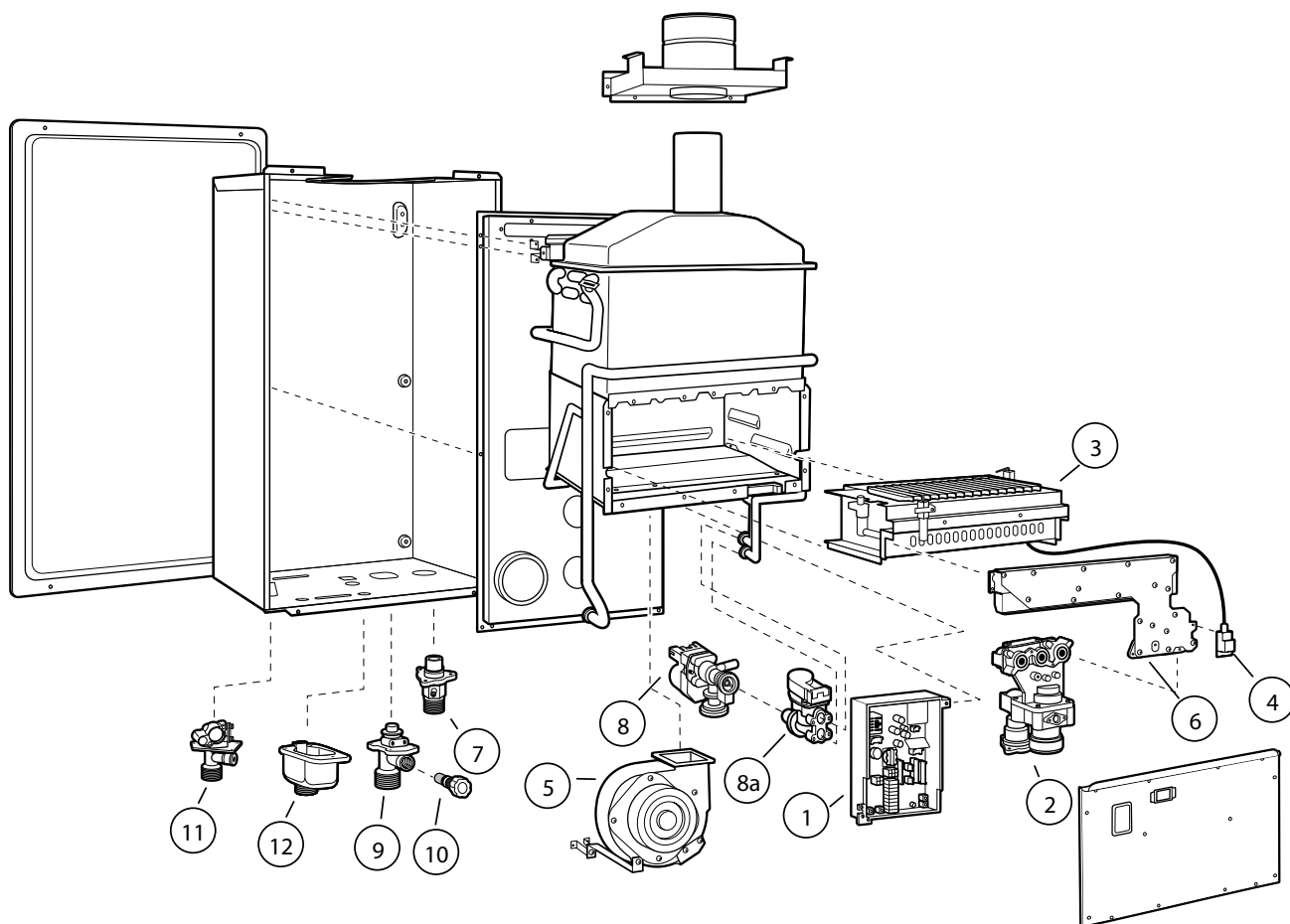
Chips for installations above 6560 ft. are not available for the 53PV Model

## Parts for RTG-53PV and RTG2-42PV Series (out of production)

Ref #	Rheem Part #	Description	RTG2-42PV	RTG-53PV
1	RTG20074DU	Control Board	•	•
	RTG20006CS	Control Board Fuse (5A)	•	•
	RTG20074EE	Power Line Fuse (3A)	•	•
2	RTG20074AF	Gas Valve - LP		•
2	RTG20074AG	Gas Valve - NAT		•
2	RTG20074AJ	Gas Valve Nat & LP	•	
3	RTG20074AP	Burner Assembly - LP	•	•
3	RTG20074AR	Burner Assembly - NAT	•	•
	RTG20074DL	Igniter Electrode	•	•
	RTG20074DN	Flame Rod	•	•
	RTG20074DR	Flame Rod Wire - White	•	•
	RTG20074DS	Flame Rod Wire - Red	•	•
4	RTG20074DM	Igniter Coil	•	•
5	RTG20074DA	Fan Assembly	•	•
6	RTG20074BA	Burner Manifold LP	•	•
6	RTG20074BB	Burner Manifold NAT	•	•
7	RTG20074GJ	Gas Inlet Connector ¾" LP		•
7	RTG20074GK	Gas Inlet Connector ¾" NAT		•
7	RTG20074GL	Gas Inlet Connector ½"	•	
8	RTG20074BT	Water Control Valve	•	•
	RTG20006AR	Inlet Thermistor - White	•	•
	RTG20006BB	Outlet Thermistor - Black	•	•
	RTG20006BC	Heat Exchanger Thermistor - Yellow	•	•
	RTG20074CU	Ambient Thermistor - Blue	•	•
9	RTG20006AL	Water Inlet Connector ¾"	•	•
10	RTG20006AS	Inlet Water Filter	•	•
11	RTG20074CE	Hot Outlet Connector	•	•
	RTG20006AW	Drain Relief Valve	•	•
12	RTG20006C	Door Filter Screen	•	•
	RTG20074Y	Mounting Brackets	•	•
	RTG20074AA	Mounting Brackets	•	•
	RTG20074EJ	Gas Shutoff Valve ½"	•	
	RTG20074EH	Gas Shutoff Valve ¾"		•
	RTG20186	Replacement Screw Kit	•	•
	RTG20206	Replacement O-Ring Kit	•	•

For parts not listed, please contact Customer Service 1-800-621-5622

## Parts for RTG-66DV Series (out of production)



### Fuel Type Program Chips

Fuel Type	Description	RTG-66DV	RTG-66DV-1
Natural Gas	Program Chip - Natural Gas	<b>RTG20164Y</b>	<b>RTG20164Y</b>
Propane	Program Chip - LP Gas	<b>RTG20164X</b>	<b>RTG20164X</b>

### 185°F Temperature Upgrade Kits - Commercial and Hydronic

Fuel Type	Description	RTG-66DV	RTG-66DV-1
Natural Gas	Natural Gas Temperature Upgrade Kit	<b>RTG20192A</b>	<b>RTG20192A</b>
Propane	LP Gas Temperature Upgrade Kit	<b>RTG20192B</b>	<b>RTG20192B</b>

Only fuel-specific chips are required for replacement of control boards. Altitude is controlled through dip switch settings and does not require a program chip. See Use and Care Manual for details.

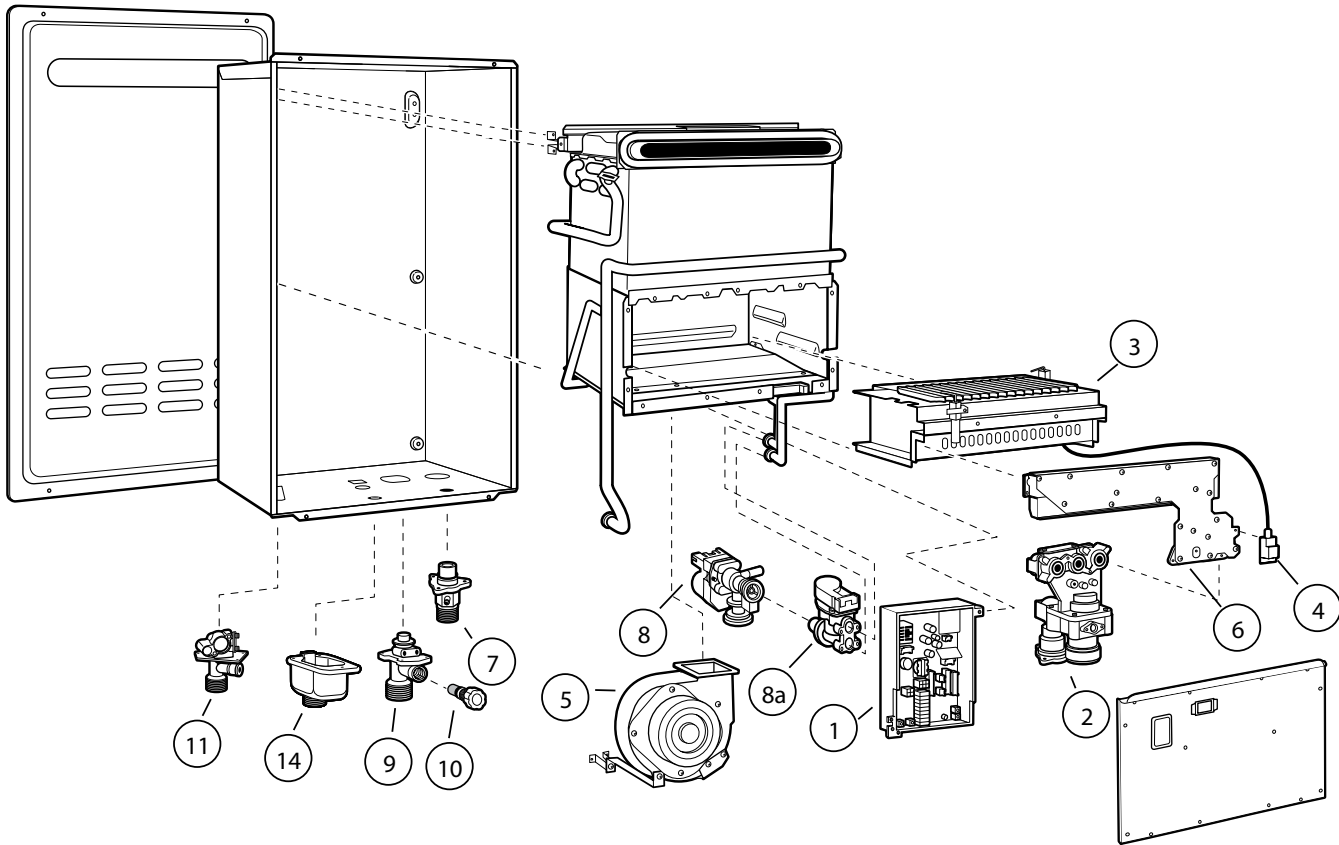
185°F Temperature Upgrade Kits - Commercial and Hydronic allow the 66DV models to operate at a higher water temperature for commercial applications. The kit includes a program chip along with a commercial warranty and instructions. Each water heater in a commercial installation would require a kit.



## Parts for RTG-66DV Series (out of production)

Ref #	Rheem Part #	Description	RTG-66DV	RTG-66DV-1
1	RTG20164AL	Control Board	•	•
	RTG20074EE	Power Line Fuse (3A)	•	•
	RTG20164P	Heat Exchanger Thermistor - Yellow	•	•
	RTG20164R	Ambient Thermistor - Blue	•	•
	RTG20006AR	Inlet Thermistor - White	•	•
	RTG20006BB	Outlet Thermistor - Black	•	•
2	RTG20164B	Gas Valve - LP	•	•
2	RTG20164A	Gas Valve - NAT	•	•
	RTG20164N	Gas Control Resistor	•	•
3	RTG20164C	Burner Assembly	•	•
4	RTG20164U	Igniter Coil	•	•
	RTG20164H	Flame Rod	•	•
	RTG20074DL	Igniter Electrode	•	•
	RTG20074DR	Flame Rod Wire Harness	•	•
5	RTG20164S	Blower Motor	•	•
	RTG20164T	Blower Case	•	•
6	RTG20164D	Burner Manifold - LP	•	•
6	RTG20164E	Burner Manifold - NAT	•	•
	RTG20164G	Sensor Orifice - LP	•	•
	RTG20164F	Sensor Orifice - NAT	•	•
7	RTG20164K	Gas Inlet Connector ¾"	•	•
8	RTG20164L	Water Control Valve	•	•
8a	RTG20235X	Water Bypass Valve	•	•
9	RTG20164J	Water Inlet Connector ¾"	•	•
10	RTG20164AK	Inlet Water Filter	•	•
11	RTG20074CE	Hot Outlet Connector	•	•
	RTG20006AW	Drain Relief Valve	•	•
	RTG20006CW	Door Screw	•	•
	RTG20006CZ	Chassis Screw	•	•
	RTG20074Y	Mounting Brackets	•	•
	RTG20164AB	Screw Pan FT 4x12	•	•
	RTG20186	Replacement Screw Kit	•	•
	RTG20206	Replacement O-Ring Kit	•	•
12	RTG20164Z	Terminal Block Wire Assy	•	•
	RTG20164AA	Remote Control Terminal Block	•	•

## Parts for RTG-66X Series (out of production)



### Fuel Type Program Chips

Fuel Type	Description	RTG-66X	RTG-66X-1
Natural Gas	Program Chip - Natural Gas	<b>RTG20164AH</b>	<b>RTG20164AH</b>
Propane	Program Chip - LP Gas	<b>RTG20164AJ</b>	<b>RTG20164AJ</b>

### Commercial Temperature Upgrade Kits

Fuel Type	Description	RTG-66X	RTG-66X-1
Natural Gas	Nat. Gas Temperature Upgrade Kit	<b>RTG20192C</b>	<b>RTG20192C</b>
Propane	LP Gas Temperature Upgrade Kit	<b>RTG20192D</b>	<b>RTG20192D</b>

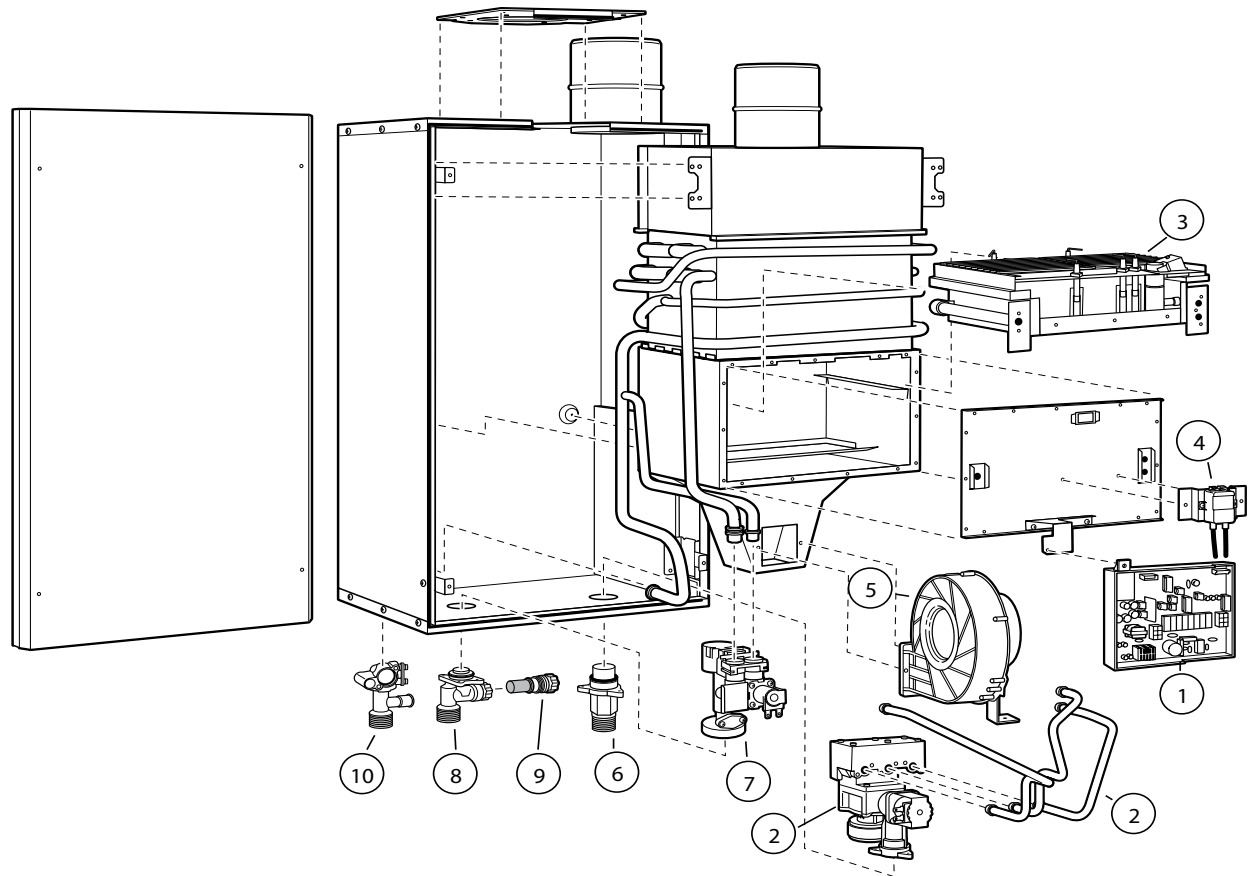
Only fuel-specific chips are required for replacement of control boards. Altitude is controlled through dip switch settings and does not require a program chip. See Use and Care Manual for details.

Commercial Temperature Upgrade Kits allow the 66X models to operate at a higher water temperature for commercial applications. The kit includes a program chip along with a commercial warranty and instructions. Each water heater in a commercial installation would require a kit.

## Parts for RTG-66X Series (out of production)

Ref#	RheemPart#	Description	RTG-66X	RTG-66X-1
1	RTG20164AS	Control Board	•	•
	RTG20074EE	Power Line Fuse(3A)	•	•
	RTG20164P	Heat Exchanger Thermistor - Yellow	•	•
	RTG20074CU	Ambient Thermistor - Blue	•	•
	RTG20006AR	Inlet Thermistor - White	•	•
	RTG20006BB	Outlet Thermistor - Black	•	•
2	RTG20164B	Gas Valve - NAT and LP	•	•
	RTG20164N	Gas Control Resistor	•	•
7	RTG20164K	Gas Inlet Connector ¾"	•	•
3	RTG20164AC	Burner Assembly	•	•
6	RTG20164AE	Burner Manifold-LP	•	•
6	RTG20164AD	Burner Manifold-NAT	•	•
4	RTG20164U	Igniter Coil	•	•
	RTG20164H	Flame Rod	•	•
	RTG20074DL	Igniter Electrode	•	•
5	RTG20006CC	Blower Motor	•	•
	RTG20164T	Blower Case	•	•
8	RTG20164L	Water Control Valve	•	•
8a	RTG20235X	Water Bypass Valve	•	•
9	RTG20164J	Water Inlet Connector ¾"	•	•
14	RTG20164AA	Remote Control Terminal Block	•	•
	RTG20164Z	Terminal Block Wire Assy	•	•
	RTG20164AB	Screw Pan FT 4x12	•	•
10	RTG20164AK	Inlet Water Filter	•	•
11	RTG20074CE	Hot Outlet Connector	•	•
	RTG20006AV	Drain Relief Valve	•	•
	RTG20186	Replacement Screw Kit	•	•
	RTG20206	Replacement O-Ring Kit	•	•

## Parts for RTG-74DV and GT-199DV Series (out of production)



### Sea-Level Program Chip

Fuel Type	RTG-74DV	RTG-74DV-1 RTGL74DV-1	RTG-74DV-2 RTGL74DV†	GT-199DV	GT-199DV-1	GT-199DV-2
Natural	RTG20006MY	RTG20006PU	RTG20006SM	RTG20006PM	RTG20006RA	RTG20006SU
LP	RTG20006MV	RTG20006PX	RTG20006SR	RTG20006PR	RTG20006RD	RTG20006SX

### High Altitude Program Chips - 3281 - 6560 Feet

Fuel Type	RTG-74DV	RTG-74DV-1 RTGL74DV-1	RTG-74DV-2 RTGL74DV†	GT-199DV	GT-199DV-1	GT-199DV-2
Natural	RTG20006MZ	RTG20006PV	RTG20006SN	RTG20006PN	RTG20006RB	RTG20006SV
LP	RTG20006MW	RTG20006PY	RTG20006SS	RTG20006PS	RTG20006RE	RTG20006SY

### Ultra High Altitude Program Chips - 6560 - 9840 Feet

Fuel Type	RTG-74DV	RTG-74DV-1 RTGL74DV-1	RTG-74DV-2 RTGL74DV†	GT-199DV	GT-199DV-1	GT-199DV-2
Natural	RTG20006NA	RTG20006PW	RTG20006SP	RTG20006PT	RTG20006RF	RTG20006SZ
LP	RTG20006MX	RTG20006PZ	RTG20006ST	RTG20006PP	RTG20006RC	RTG20006SW

## Parts for RTG-74DV and GT-199DV Series (out of production)

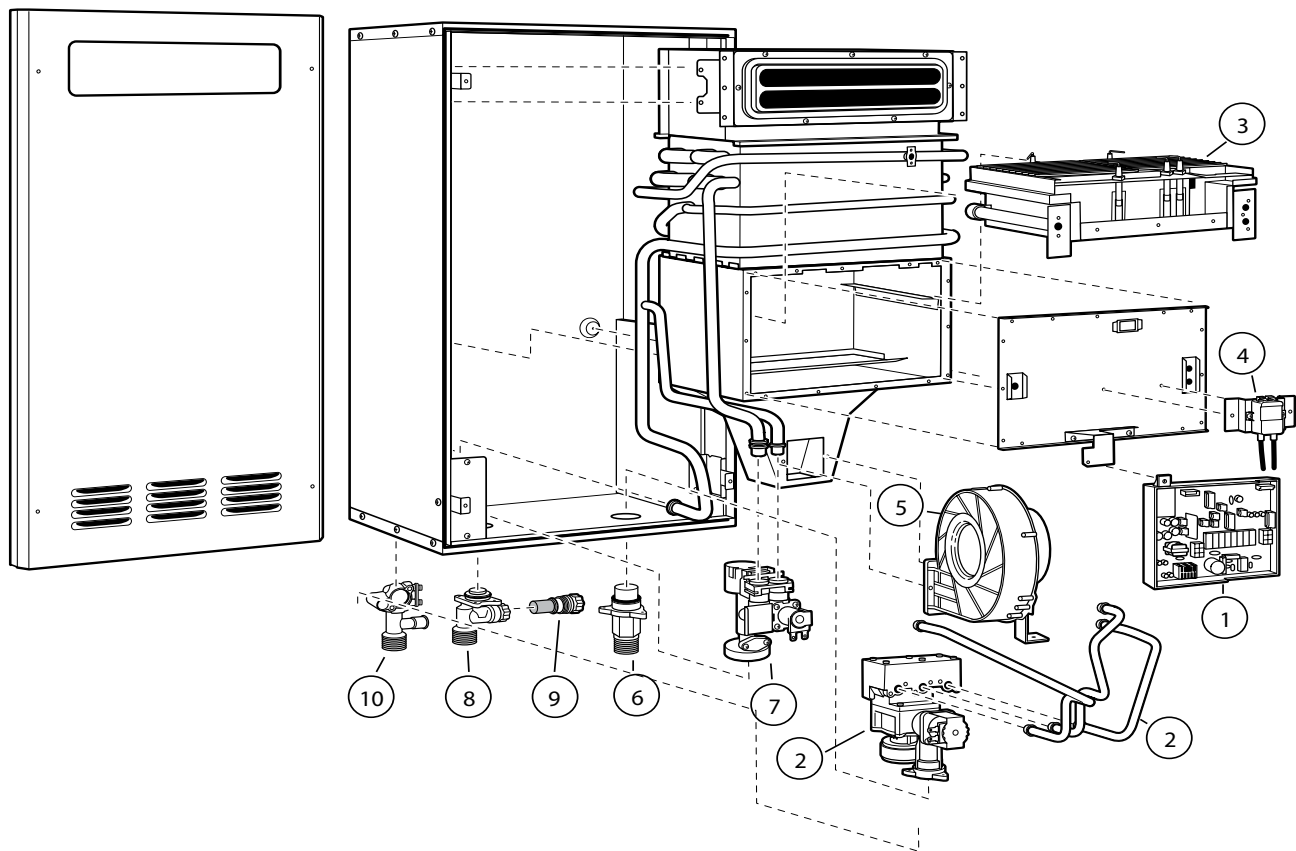
Ref #	Rheem Part #	Description	RTG-74DV	RTG-74DV-1 RTGL74DV-1	RTG-74DV-2 RTGL74DV†	GT-199DV	GT-199DV-1	GT-199DV-2
	RTG20006JC	Control Board	•			•		
1	RTG20006PG	Control Board		•	•		•	•
	RTG20006CS	Control Board Fuse (5A)	•	•	•	•	•	•
	RTG20074EE	Power Line Fuse (3A)	•	•	•	•	•	•
2	RTG20006PA	Gas Valve Kit	•	•	•	•	•	•
3	RTG20006VL	Burner Assembly - NAT	•	•*		•	•*	
3	RTG20006VM	Burner Assembly - LP	•	•*	•	•	•*	•
	RTG20006N	Burner Manifold - R LP	•	•		•	•	
	RTG20006P	Burner Manifold - R NAT	•	•		•	•	
	RTG20006T	Burner Manifold - L LP	•	•		•	•	
	RTG20006U	Burner Manifold - L NAT	•	•		•	•	
	RTG20006UL	Burner Manifold - R NAT			•			•
	RTG20006UM	Burner Manifold - R LP			•			•
	RTG20006UR	Burner Manifold - L NAT			•			•
	RTG20006US	Burner Manifold - L LP			•			•
4	RTG20006AA	Igniter Coil	•	•		•	•	
4	RTG20006UT	Igniter Coil			•			•
	RTG20006AD	Igniter Electrode	•	•	•	•	•	•
	RTG20006UU	Flame Rod	•	•	•	•	•	•
5	RTG20006CC	Fan Assembly	•	•	•	•	•	•
	RTG20006AR	Inlet Thermistor - White	•	•	•	•	•	•
	RTG20006BB	Outlet Thermistor - Black	•	•	•	•	•	•
	RTG20006BC	Heat Exchanger Thermistor - Yellow	•	•	•	•	•	•
	RTG20006BV	Ambient Thermistor - Blue	•	•	•	•	•	•
	RTG20006CB	Transformer (120v to 100v)	•	•		•	•	
6	RTG20006AN	Gas Inlet Connector ¾"	•	•	•	•	•	•
7	RTG20006AU	Water Control Valve	•					
7	RTG20006JA	Water Control Valve		•	•	•	•	•
8	RTG20006AL	Water Inlet Connector ¾"	•	•	•	•	•	•
9	RTG20006AS	Inlet Water Filter	•	•	•	•	•	•
10	RTG20006AF	Hot Outlet Connector	•	•	•	•	•	•
	RTG20006AW	Drain Relief Valve	•	•	•	•	•	•
	RTG20006VD	Mounting Brackets	•	•	•	•	•	•
	RTG20186	Replacement Screw Kit	•	•	•	•	•	•
	RTG20206	Replacement O-Ring Kit	•	•	•	•	•	•

\* If Serial Number is 0906 or earlier

\*\* If Serial Number is 1006 or newer

† The RTGL and ECO models that do not have a suffix, such as a -1 or -2, are equivalent to the RTG-2 series and utilize the same parts. RTGL and ECO models with a suffix, such as -1, are equivalent to the models with a like suffix.

## Parts for RTG-74X and GT-199X Series (out of production)



### Sea-Level Program Chip

Fuel Type	RTG-74X	RTG-74X-1 RTGL74X-1	RTG-74X-2 RTGL74X†	GT-199X	GT-199X-1	GT-199X-2
Natural	RTG20006EN	RTG20006RV	RTG20006TN	RTG20006JL	RTG20006SB	RTG20006TV
LP	RTG20006EM	RTG20006RY	RTG20006TS	RTG20006JK	RTG20006SE	RTG20006TY

### High Altitude Program Chips - 3281 - 6560 Feet

Fuel Type	RTG-74X	RTG-74X-1 RTGL74X-1	RTG-74X-2 RTGL74X†	GT-199X	GT-199X-1	GT-199X-2
Natural	RTG20006EK	RTG20006RW	RTG20006TP	RTG20006JN	RTG20006SC	RTG20006TW
LP	RTG20006EH	RTG20006RZ	RTG20006TT	RTG20006JM	RTG20006SF	RTG20006TZ

### Ultra High Altitude Program Chips - 6560 - 9840 Feet

Fuel Type	RTG-74X	RTG-74X-1 RTGL74X-1	RTG-74X-2 RTGL74X†	GT-199X	GT-199X-1	GT-199X-2
Natural	RTG20006EL	RTG20006RX	RTG20006TR	RTG20006JR	RTG20006SD	RTG20006TX
LP	RTG20006EJ	RTG20006SA	RTG20006TU	RTG20006JP	RTG20006SG	RTG20006UA

## Parts for RTG-74X and GT-199X Series (out of production)

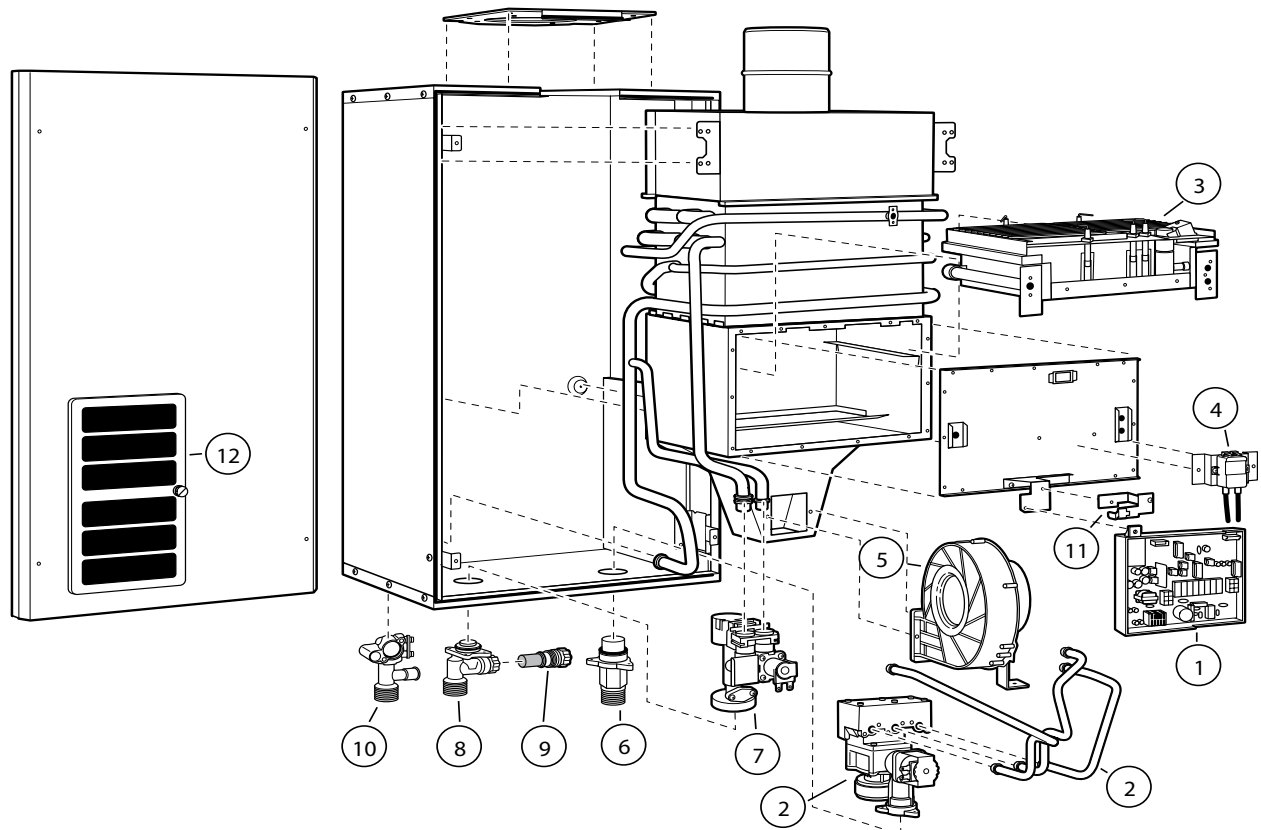
Ref #	Rheem Part #	Description	RTG-74X	RTG-74X-1 RTGL74X-1	RTG-74X-2 RTGL74X†	GT-199X	GT-199X-1	GT-199X-2
1	RTG20006JC	Control Board	•			•		
1	RTG20006PG	Control Board		•	•		•	•
	RTG20006CS	Control Board Fuse (5A)	•	•	•	•	•	•
	RTG20074EE	Power Line Fuse (3A)	•	•	•	•	•	•
2	RTG20006PA	Gas Valve Kit	•	•	•	•	•	•
3	RTG20006UE	Burner Assembly - NAT/LP		•**	•		•**	•
3	RTG20006VK	Burner Assembly - NAT/LP	•	•*		•	•*	
	RTG20006L	Burner Manifold - R NAT	•	•		•	•	
	RTG20006M	Burner Manifold - R LP	•	•		•	•	
	RTG20006R	Burner Manifold - L NAT	•	•		•	•	
	RTG20006S	Burner Manifold - L LP	•	•		•	•	
	RTG20006UJ	Burner Manifold - R NAT			•			•
	RTG20006UK	Burner Manifold - R LP			•			•
	RTG20006UN	Burner Manifold - L NAT			•			•
	RTG20006UP	Burner Manifold - L LP			•			•
4	RTG20006AA	Igniter Coil	•	•		•	•	
	RTG20006AD	Igniter Electrode	•	•	•	•	•	•
4	RTG20006UT	Igniter Coil			•			•
	RTG20006UU	Flame Rod	•	•	•	•	•	•
5	RTG20006CC	Fan Assembly	•	•	•	•	•	•
	RTG20006AR	Inlet Thermistor - White	•	•	•	•	•	•
	RTG20006BB	Outlet Thermistor - Black	•	•	•	•	•	•
	RTG20006BC	Heat Exchanger Thermistor - Yellow	•	•	•	•	•	•
	RTG20006BV	Ambient Thermistor - Blue	•	•		•	•	
	RTG20006CB	Transformer (120v to 100v)	•	•		•	•	
	RTG20006UV	Ambient Thermistor - Blue			•			•
6	RTG20006AN	Gas Inlet Connector ¾"	•	•	•	•	•	•
7	RTG20006AU	Water Control Valve	•					
7	RTG20006JA	Water Control Valve		•	•	•	•	•
8	RTG20006AL	Water Inlet Connector ¾"	•	•	•	•	•	•
9	RTG20006AS	Inlet Water Filter	•	•	•	•	•	•
10	RTG20006AF	Hot Outlet Connector	•	•	•	•	•	•
	RTG20006AV	Drain Relief Valve	•	•	•	•	•	•
	RTG20006VD	Mounting Brackets	•	•	•	•	•	•
	RTG20186	Replacement Screw Kit	•	•	•	•	•	•
	RTG20206	Replacement O-Ring Kit	•	•	•	•	•	•

\* If Serial Number is 0906 or earlier

\*\* If Serial Number is 1006 or newer

† The RTGL and ECO models that do not have a suffix, such as a -1 or -2, are equivalent to the RTG-2 series and utilize the same parts. RTGL and ECO models with a suffix, such as -1, are equivalent to the models with a like suffix.

## Parts for RTG-74PV and GT-199PV Series (out of production)



### Sea-Level Program Chip

Fuel Type	RTG-74PV	RTG-74PV-1 RTGL74PV-1	RTG-74PV-2 RTGL74PV†	GT-199PV	GT-199PV-1	GT-199PV-2
Natural	RTG20006DG	RTG20006RG	RTG20006TA	RTG20006JE	RTG20006RN	RTG20006TG
LP	RTG20006DF-1	RTG20006RK	RTG20006TD	RTG20006JD	RTG20006RS	RTG20006TK

### High Altitude Program Chips - 3281 - 6560 Feet

Fuel Type	RTG-74PV	RTG-74PV-1 RTGL74PV-1	RTG-74PV-2 RTGL74PV†	GT-199PV	GT-199PV-1	GT-199PV-2
Natural	RTG-20006DM-1	RTG20006RH	RTG20006TB	RTG20006JG	RTG20006RP	RTG20006TH
LP	RTG20006DK-1	RTG20006RL	RTG20006TE	RTG20006JF	RTG20006RT	RTG20006TL

### Ultra High Altitude Program Chips - 6560 - 9840 Feet

Fuel Type	RTG-74PV	RTG-74PV-1 RTGL74PV-1	RTG-74PV-2 RTGL74PV†	GT-199PV	GT-199PV-1	GT-199PV-2
Natural	RTG20006DN-1	RTG20006RJ	RTG20006TC	RTG20006JJ	RTG20006RR	RTG20006TJ
LP	RTG20006DL-1	RTG20006RM	RTG20006TF	RTG20006JH	RTG20006RU	RTG20006TM



## Parts for RTG-74PV and GT-199PV Series (out of production)

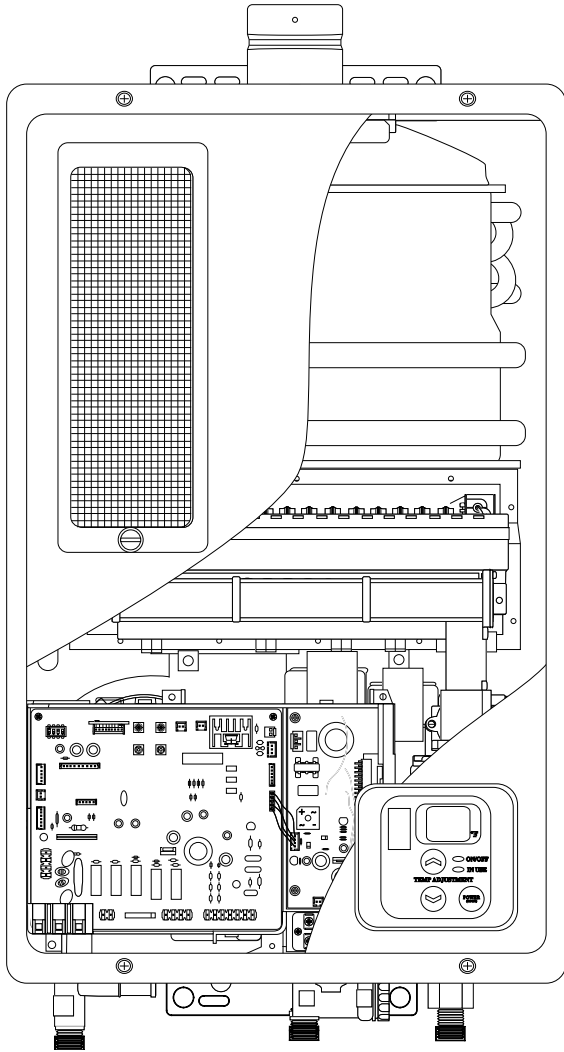
Ref #	Rheem Part #	Description	RTG-74PV	RTG-74PV-1 RTGL74PV-1	RTG-74PV-2 RTGL74PV†	GT-199PV	GT-199PV-1	GT-199PV-2
1	RTG20006JC	Control Board	•			•		
1	RTG20006PG	Control Board		•	•		•	•
	RTG20006CS	Control Board Fuse (5A)	•	•	•	•	•	•
	RTG20074EE	Power Line Fuse (3A)	•	•	•	•	•	•
2	RTG20006PA	Gas Valve Kit	•	•	•	•	•	•
3	RTG20006UF	Burner Assembly - NAT/LP		•**	• (NAT)		•**	• (NAT)
3	RTG20006UG	Burner Assembly -LP			• (LP)			• (LP)
3	RTG20006VJ	Burner Assembly - NAT/LP	•	•*		•	•*	
	RTG20006N	Burner Manifold - R LP	•	•		•	•	
	RTG20006P	Burner Manifold - R NAT	•	•		•	•	
	RTG20006T	Burner Manifold - L LP	•	•		•	•	
	RTG20006U	Burner Manifold - L NAT	•	•		•	•	
	RTG20006UL	Burner Manifold - R NAT			•			•
	RTG20006UM	Burner Manifold - R LP			•			•
	RTG20006UR	Burner Manifold - L NAT			•			•
	RTG20006US	Burner Manifold - L LP			•			•
4	RTG20006AA	Igniter Coil	•	•		•	•	
4	RTG20006UT	Igniter Coil			•			•
	RTG20006AD	Igniter Electrode	•	•	•	•	•	•
	RTG20006UU	Flame Rod	•	•	•	•	•	•
5	RTG20006CC	Fan Assembly	•	•	•	•	•	•
	RTG20006AR	Inlet Thermistor - White	•	•	•	•	•	•
	RTG20006BB	Outlet Thermistor - Black	•	•	•	•	•	•
	RTG20006BC	Heat Exchanger Thermistor - Yellow	•	•	•	•	•	•
	RTG20006BV	Ambient Thermistor - Blue	•	•		•	•	
	RTG20006CB	Transformer (120v to 100v)	•	•		•	•	
	RTG20006UW	Ambient Thermistor - Blue			•			•
6	RTG20006AN	Gas Inlet Connector ¾"	•	•	•	•	•	•
7	RTG20006AU	Water Control Valve	•					
7	RTG20006JA	Water Control Valve		•	•	•	•	•
8	RTG20006AL	Water Inlet Connector ¾"	•	•	•	•	•	•
9	RTG20006AS	Inlet Water Filter	•	•	•	•	•	•
10	RTG20006AF	Hot Outlet Connector	•	•	•	•	•	•
	RTG20006AW	Drain Relief Valve	•	•	•	•	•	•
11	RTG20098	Door Switch Kit	•	•	•	•	•	•
12	RTG20006C	Door Filter Screen	•	•	•	•	•	•
	RTG20006VD	Mounting Brackets	•	•	•	•	•	•
	RTG20186	Replacement Screw Kit	•	•	•	•	•	•
	RTG20206	Replacement O-Ring Kit	•	•	•	•	•	•

\* If Serial Number is 0906 or earlier

\*\* If Serial Number is 1006 or newer

† The RTGL and ECO models that do not have a suffix, such as a -1 or -2, are equivalent to the RTG-2 series and utilize the same parts. RTGL and ECO models with a suffix, such as -1, are equivalent to the models with a like suffix.

## Parts for First Generation RTG-42PV Series (out of production)



Rheem Part #	Description	RTG-42PV
RTG20000BC	Control Board	•
RTG20000BB	Transformer (120v to 100v)	•
RTG20000BJ	Transformer (Power Supply)	•
RTG20074EE	Power Line Fuse (3A)	•
RTG20000Z	Fuse Board Assembly	•
RTG20000AE	Gas Valve - LP	•
RTG20000AF	Gas Valve - Natural	•
RTG20000AW	Gas Inlet Connector 1/2"	•
RTG20000AS	Burner Assembly	•
RTG20000AP	Burner Manifold - LP	•
RTG20000AR	Burner Manifold - Natural	•
RTG20000BF	Igniter Coil	•
RTG20000S	High Limit Switch	•
RTG20000X	Flame Rod	•
RTG20000AH	Fan Assembly with Board	•
RTG20000BG	Water Control Valve	•
RTG20006AS	Inlet Water Filter	•
RTG20000AD	Bypass Pipe	•
RTG20000AX	Water Bypass	•
RTG20000T	Heat Exchanger Thermistor - Yellow	•
RTG20000U	Outlet Thermistor - Black	•
RTG20000V	Inlet Thermistor - White	•
RTG20000BA	Cold Inlet Connector	•
RTG20000AY	Drain Plug	•
RTG20000AZ	Hot Outlet Connector	•
RTG20000AB	Door Filter Screen	•
RTG20006CK	Door Switch	•
RTG20000AU	Display Board	•
RTG20000AV	Display Control Board	•
RTG20186	Replacement Screw Kit	•
RTG20206	Replacement O-Ring Kit	•

### Sea-Level Program Chip

Rheem Part #	Description	RTG-42PV
RTG20000BD	Program Chip - 0-3280 NAT	•
RTG20000BE	Program Chip - 0-3280 LP	•

### High Altitude Program Chips - 3281 - 6560 Feet

Rheem Part #	Description	RTG-42PV
RTG20000AK	Program Chip - 3281-6560 NAT	•
RTG20000AJ	Program Chip - 3281-6560 LP	•

### Ultra High Altitude Program Chips - 6560 - 9840 Feet

Rheem Part #	Description	RTG-42PV
RTG20000AM	Program Chip - 6560-9840 NAT	•
RTG20000AL	Program Chip - 6560-9840 LP	•

## Tankless Model Cross Reference and Notes

Rheem	Ruud	Richmond	Rheem Platinum Plus	Paloma Retail	Paloma
RTG2-42PVN	RUTG2-42PVN	RMTG2-42PVN	NA	PTG2-42PVN	PH-16FISN
RTG2-42PVP	RUTG2-42PVP	RMTG2-42PVP	NA	PTG2-42PVP	PH-16FISP
RTG-53PVN	RUTG-53PVN	RMTG-53PVN	ECO-145PVN*	PTG-53PVN	PH-20RIFSN
RTG-53PVP	RUTG-53PVP	RMTG-53PVP	ECO-141PVP*	PTG-53PVP	PH-20RIFSP
RTG-53XN	RUTG-53XN	RMTG-53XN	ECO-141XN*	PTG-53XN	PH-20ROFN
RTG-53XP	RUTG-53XP	RMTG-53XP	ECO-141XP*	PTG-53XP	PH-20ROFP
RTG-53DVN	RUTG-53DVN	RMTG-53DVN	ECO-141DVN*	PTG-53DVN	PH-20RDVSN
RTG-53DVP	RUTG-53DVP	RMTG-53DVP	ECO-135DVP*	PTG-53DVP	PH-20RDVSP
RTG-66DVN	RUTG-66DVN	RMTG-66DVN	ECO-180DVN*		PH-25RDVSN
RTG-66DVP	RUTG-66DVP	RMTG-66DVP	ECO-180DVP*		PH-25RDVSP
RTG-66XN	RUTG-66XN	RMTG-66XN	ECO-180XN*		PH-25ROFN
RTG-66XP	RUTG-66XP	RMTG-66XP	ECO-180XP*		PH-25ROFP
RTG-74PVN*	RUTG-74PVN*	RMTG-74PVN*		PTG-74PVN*	PH-28RIFSN
RTG-74PVP*	RUTG-74PVP*	RMTG-74PVP*		PTG-74PVP*	PH-28RIFSP
RTG-74XN*	RUTG-74XN*	RMTG-74XN*		PTG-74XN*	PH-28ROFN
RTG-74XP*	RUTG-74XP*	RMTG-74XP*		PTG-74XP*	PH-28ROFP
RTG-74DVN*	RUTG-74DVN*	RMTG-74DVN*		PTG-74DVN*	PH-28RDVSN
RTG-74DVP*	RUTG-74DVP*	RMTG-74DVP*		PTG-74DVP*	PH-28RDVSP
RTGL74PVN**	RUTGL74PVN**	RMTGL74PVN**	ECO200PVN*		
RTGL74PVP**	RUTGL74PVP**	RMTGL74PVP**	ECO200PVP*		
RTGL74XN**	RUTGL74XN**	RMTGL74XN**	ECO200XN*		
RTGL74XP**	RUTGL74XP**	RMTGL74XP**	ECO200XP*		
RTGL74DVN**	RUTGL74DVN**	RMTGL74DVN**	ECO200DVN*		
RTGL74DVP**	RUTGL74DVP**	RMTGL74DVP**	ECO200DVP*		
GT-199PVN*	GT-199PVN*	NA	NA	NA	PH-28CIFSN
GT-199PVP*	GT-199PVP*	NA	NA	NA	PH-28CIFSP
GT-199XN*	GT-199XN*	NA	NA	NA	PH-28COFN
GT-199XP*	GT-199XP*	NA	NA	NA	PH-28COFP
GT-199DVN*	GT-199DVN*	NA	NA	NA	PH-28CDVSN
GT-199DVP*	GT-199DVP*	NA	NA	NA	PH-28CDVSP

\* Model may have an additional number attached such as a -1 or -2. These are generation designations. Model numbers with no additional number are first generation, models with a -1 are second generation, models with a -2 are third generation, and so on.

\*\*The RTGL and ECO models that do not have a suffix, such as a -1 or -2, are equivalent to the RTG series -2 models and utilize the same parts as the -2 models. RTGL and ECO models with a -1 suffix are equivalent to the RTG series -1 models.

# Tankless Model Cross Reference and Notes

## Mid-Efficiency Tankless Model Cross Reference

Rheem	Ruud	Richmond	Rheem Platinum Plus	Paloma	EcoSmart
RTG-64DVN	RUTG-64DVN	RMTG64DVN	ECO150DVN3	PH2-20RDVSN	
RTG-64DVP	RUTG-64DVP	RMTG64DVP	ECO150DVP3	PH2-20RDVSP	
RTG-64XN	RUTG-64XN	RMTG64XN	ECO150XN3	PH2-20ROFN	
RTG-64XP	RUTG-64XP	RMTG64XP	ECO150XP3	PH2-20ROFP	
RTG-84DVN	RUTG-84DVN	RMTG84DVN	ECO180DVN3	PH2-25RDVSN	
RTG-84DVP	RUTG-84DVP	RMTG84DVP	ECO180DVP3	PH2-25RDVSP	
RTG-84XN	RUTG-84XN	RMTG84XN	ECO180XN3	PH2-25ROFN	
RTG-84XP	RUTG-84XP	RMTG84XP	ECO180XP3	PH2-25ROFP	
RTG-95DVN	RUTG-95DVN	RMTG95DVN	ECO200DVN3	PH2-28RDVSN	
RTG-95DVP	RUTG-95DVP	RMTG95DVP	ECO200DVP3	PH2-28RDVSP	
RTG-95XN	RUTG-95XN	RMTG95XN	ECO200XN3	PH2-28ROFN	
RTG-95XP	RUTG-95XP	RMTG95XP	ECO200XP3	PH2-28ROFP	
RTG-64DVLN	RUTG-64DVLN	RMTG64DVLN	ECO150DVLN3	PH2-20RDVSLN	ESG-64DVLN
RTG-64DVLP	RUTG-64DVLP	RMTG64DVLP	ECO150DVLP3	PH2-20RDVSLP	ESG-64DVLP
RTG-64XLN	RUTG-64XLN	RMTG64XLN	ECO150XLN3	PH2-20ROFLN	ESG-64XLN
RTG-64XLP	RUTG-64XLP	RMTG64XLP	ECO150XLP3	PH2-20ROFLP	ESG-64XLP
RTG-70DVLN	RUTG-70DVLN	RMTG70DVLN	ECO160DVLN3		ESG-70DVLN
RTG-70DVLP	RUTG-70DVLP	RMTG70DVLP	ECO160DVLP3		ESG-70DVLP
RTG-70XLN	RUTG-70XLN	RMTG70XLN	ECO160XLN3		ESG-70XLN
RTG-70XLP	RUTG-70XLP	RMTG70XLP	ECO160XLP3		ESG-70XLP
RTG-84DVLN	RUTG-84DVLN	RMTG84DVLN	ECO180DVLN3	PH2-25RDVSLN	ESG-84DVLN
RTG-84DVLP	RUTG-84DVLP	RMTG84DVLP	ECO180DVLP3	PH2-25RDVSLP	ESG-84DVLP
RTG-84XLN	RUTG-84XLN	RMTG84XLN	ECO180XLN3	PH2-25ROFLN	ESG-84XLN
RTG-84XLP	RUTG-84XLP	RMTG84XLP	ECO180XLP3	PH2-25ROFLP	ESG-84XLP
RTG-95DVLN	RUTG-95DVLN	RMTG95DVLN	ECO200DVLN3	PH2-28RDVSLN	ESG-95DVLN
RTG-95DVLP	RUTG-95DVLP	RMTG95DVLP	ECO200DVLP3	PH2-28RDVSLP	ESG-95DVLP
RTG-95XLN	RUTG-95XLN	RMTG95XLN	ECO200XLN3	PH2-28ROFLN	ESG-95XLN
RTG-95XLP	RUTG-95XLP	RMTG95XLP	ECO200XLP3	PH2-28ROFLP	ESG-95XLP
RTG-95DVELN	RUTG-95DVELN	RMTG95DVELN	ECO200DVELN3		
RTG-95DVELP	RUTG-95DVELP	RMTG95DVELP	ECO200DVELP3		
RTG-95XELN	RUTG-95XELN	RMTG95XELN	ECO200XELN3		
RTG-95XELP	RUTG-95XELP	RMTG95XELP	ECO200XELP3		
RTG-RC95DVELN	RUTG-RC95DVELN	RMTGRC95DVELN	ECO200DVRCELN3		
RTG-RC95DVELP	RUTG-RC95DVELP	RMTGRC95DVELP	ECO200DVRCELP3		

Parts for the Mid-Efficiency Tankless Models begin on page 30.

---



---



---



---



---



---



---



---



---



---

# Tankless Model Cross Reference and Notes

## Condensing Tankless Model Cross Reference

Rheem	Ruud	Richmond	Rheem Platinum Plus	Paloma	EcoSmart
RTGH-95DVN	RUTGH-95DVN	RMTGH95DVN	ECOH200DVN	PHH-32RDVN	
RTGH-95DVP	RUTGH-95DVP	RMTGH95DVP	ECOH200DVP	PHH-32RDVP	
RTGH-95XN	RUTGH-95XN	RMTGH95XN	ECOH200XN	PHH-32ROFN	
RTGH-95XP	RUTGH-95XP	RMTGH95XP	ECOH200XP	PHH-32ROFP	
RTGH-84DVN	RUTGH-84DVN	RMTGH84DVN	ECOH160DVN	PHH-25RDVN	
RTGH-84DVP	RUTGH-84DVP	RMTGH84DVP	ECOH160DVP	PHH-25RDVP	
RTGH-84XN	RUTGH-84XN	RMTGH84XN	ECOH160XN	PHH-25ROFN	
RTGH-84XP	RUTGH-84XP	RMTGH84XP	ECOH160XP	PHH-25ROFP	
RTGH-95DVLN	RUTGH-95DVLN	RMTGH95DVLN	ECOH200DVLN	PHH-32RDVLN	ESGH-95DVLN
RTGH-95DVLP	RUTGH-95DVLP	RMTGH95DVLP	ECOH200DVLP	PHH-32RDVLP	ESGH-95DVLP
RTGH-95XLN	RUTGH-95XLN	RMTGH95XLN	ECOH200XLN	PHH-32ROFLN	ESGH-95XLN
RTGH-95XLP	RUTGH-95XLP	RMTGH95XLP	ECOH200XLP	PHH-32ROFLP	ESGH-95XLP
RTGH-95DVELN	RUTGH-95DVELN	RMTGH95DVELN	ECOH200DVELN		
RTGH-95DVELP	RUTGH-95DVELP	RMTGH95DVELP	ECOH200DVELP		
RTGH-95XELN	RUTGH-95XELN	RMTGH95XELN	ECOH200XELN		
RTGH-95XELP	RUTGH-95XELP	RMTGH95XELP	ECOH200XELP		
RTGH-RH11DVLN	RUTGH-RH11DVLN	RMTGH-RH11DVLN	ECO200DVHRLN		
RTGH-RH11DVLP	RUTGH-RH11DVLP	RMTGH-RH11DVLP	ECO200DVHRLP		
RTGH-RH10DVLN	RUTGH-RH10DVLN	RMTGH-RH10DVLN	ECO180DVHRLN		
RTGH-RH10DVLP	RUTGH-RH10DVLP	RMTGH-RH10DVLP	ECO180DVHRLP		
RTGH-90DVLN	RUTGH-90DVLN	RMTGH90DVLN	ECOH180DVLN	PHH-29RDVLN	ESGH-90DVLN
RTGH-90DVLP	RUTGH-90DVLP	RMTGH90DVLP	ECOH180DVLP	PHH-29RDVLP	ESGH-90DVLP
RTGH-90XLN	RUTGH-90XLN	RMTGH90XLN	ECOH180XLN	PHH-29ROFLN	ESGH-90XLN
RTGH-90XLP	RUTGH-90XLP	RMTGH90XLP	ECOH180XLP	PHH-29ROFLP	ESGH-90XLP
RTGH-84DVLN	RUTGH-84DVLN	RMTGH84DVLN	ECOH160DVLN	PHH-25RDVLN	ESGH-84DVLN
RTGH-84DVLP	RUTGH-84DVLP	RMTGH84DVLP	ECOH160DVLP	PHH-25RDVLP	ESGH-84DVLP
RTGH-84XLN	RUTGH-84XLN	RMTGH84XLN	ECOH160XLN	PHH-25ROFLN	ESGH-84XLN
RTGH-84XLP	RUTGH-84XLP	RMTGH84XLP	ECOH160XLP	PHH-25ROFLP	ESGH-84XLP
RTGH-C95DVLN	RUTGH-C95DVLN				
RTGH-C95DVLP	RUTGH-C95DVLP				
RTGH-C95XLP	RUTGH-C95XLP				
RTGH-C95XLP	RUTGH-C95XLP				
RTGH-CM95DVLN	RUTGH-CM95DVLN				
RTGH-CM95DVLP	RUTGH-CM95DVLP				
RTGH-CM95XLP	RUTGH-CM95XLP				
RTGH-CM95XLP	RUTGH-CM95XLP				

Parts for the Condensing Tankless Models begin on Page 22.

---



---



---



---



---



---



---



---



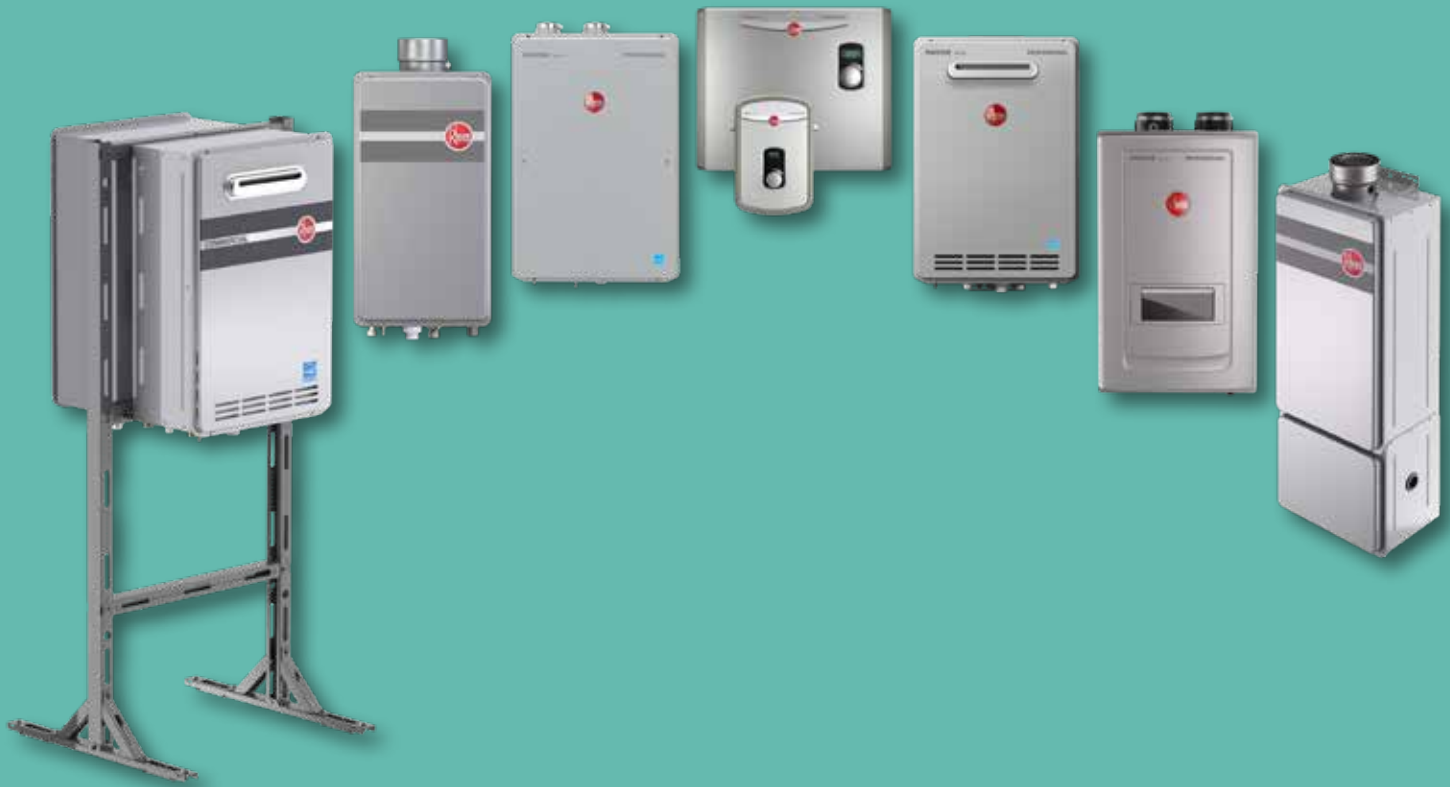
---



---







Rheem helps you give your customers the **value**, **performance** and **features** they want. From our tried and true tank-type water heaters to our space-saving tankless solutions that provide continuous hot water, Rheem has something to **satisfy the budgets** and lifestyles of every customer.

In addition to our large selection of **water heating solutions**, Rheem also has a full line of **heating and cooling** products, parts and accessories for warm winter nights, cool summer days and hot water all year long.



The new degree of comfort.®

*In keeping with its policy of continuous progress and improvement, Rheem reserves the right to make changes without notice.*

Rheem Replacement Parts • 4744 Island Ford Road  
Randleman, NC 27317 • Customer Service: 800-621-5622  
[www.rheemparts.com](http://www.rheemparts.com)



INTEGRATED HOME COMFORT

Rheem.com  
PRINTED IN USA 07/18 TKPP-101 Rev 8