



The new degree of comfort.™

SUBMITTAL COVER SHEET

PROJECT NAME _____

LOCATION _____

ARCHITECT _____

ENGINEER _____

CONTRACTOR _____

SUBMITTED BY _____ DATE _____

UNIT SUMMARY

| | | | | | | |
|---------------------|--|--|--|--|--|--|
| Quantity | | | | | | |
| Unit Designation | | | | | | |
| Model No. | | | | | | |
| Total Cooling | | | | | | |
| Sensible Cooling | | | | | | |
| Air Ent. Evaporator | | | | | | |
| Air Lvg. Evaporator | | | | | | |
| Heating Input | | | | | | |
| Heating Output | | | | | | |
| CFM/ESP | | | | | | |
| EER/SEER | | | | | | |
| Electrical | | | | | | |
| Minimum Ampacity | | | | | | |
| Min.-Max. Breaker | | | | | | |
| Net Unit Weight | | | | | | |
| Accessory | | | | | | |
| Catalog Form Number | | | | | | |

ACCESSORIES:

NOTES:



INTEGRATED HOME COMFORT

SUBMITTAL SHEET FOR RH1T 2 TO 5 NOMINAL TON [7.3 TO 17.6 kW] AIR HANDLERS

UNIT DATA

COOLING PERFORMANCE

TOTAL CAPACITY*..... MBH [kW]
 SENSIBLE CAPACITY*..... MBH [kW]
 OUTDOOR DESIGN TEMP. °F [°C] DB
 TOTAL SUPPLY AIR CFM [L/s]
 TEMP. OF AIR ENTERING
 EVAPORATOR COIL..... °F [°C] DB
 °F [°C] WB
 POWER INPUT REQUIREMENT kW
 (*uses blower motor heat)

HEATING PERFORMANCE

TOTAL CAPACITY*..... MBH [kW]
 OUTDOOR DESIGN TEMP. °F [°C] DB
 TEMP. OF AIR ENTERING
 EVAPORATOR COIL..... °F [°C] DB
 ELECTRIC HEAT CAPACITY kW
 POWER INPUT REQUIREMENT kW
 (*uses blower motor heat)

SUPPLY AIR BLOWER PERFORMANCE

TOTAL AIR SUPPLY CFM [L/s]
 TOTAL RESISTANCE EXTERNAL
 TO UNIT..... IWG
 BLOWER SPEED RPM
 POWER OUTPUT REQUIREMENT .. BHP
 MOTOR RATING HP [W]
 POWER INPUT REQUIREMENT kW

ELECTRICAL DATA

POWER SUPPLY Hz
 TOTAL UNIT AMPACITY..... AMPS
 MINIMUM WIRE SIZE AWG
 MAXIMUM OVERCURRENT DEVICE
 FUSES/HACR BREAKER AMPS

CLEARANCES

SERVICE ACCESS FRONT 24" [609.6 mm]

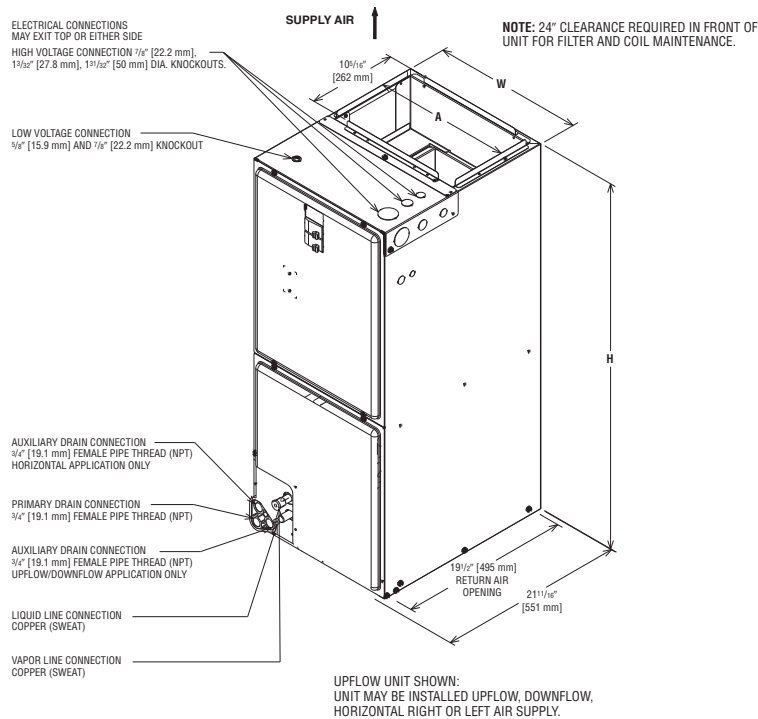
FEATURES FOR RH1T

- RH1T/RH2T feature a Constant Torque motor (ECM) which provides enhanced SEER performance with most Rheem outdoor units.
- Versatile 4-way convertible design for upflow, downflow, horizontal left and horizontal right applications.
- Factory-installed indoor coil.
- Sturdy cabinet construction with 1.0 inch [25.4 mm] offoil faced insulation for excellent sound and insulating characteristics.
- Field-installed auxiliary electric heater kits provide exact heat for indoor comfort. Kits include circuit breakers which meet U.L. and cUL requirements for service disconnect.
- 1½ ton [5.3 kW] through 5 ton [17.6 kW] models are between 42½ to 57 inches [1080 to 1448 mm] tall and 22 inches [559 mm] deep.
- All models meet or exceed 330 to 400 CFM [156 to 189 L/s] per ton at .3 inches [.7 kPa] of external static pressure.
- Enhanced airflow up to .7" external static pressure.
- Evaporator is constructed of aluminum fins bonded to internally grooved aluminum tubing.
- Suitable for application in mobile homes.

[] Designates Metric Conversions

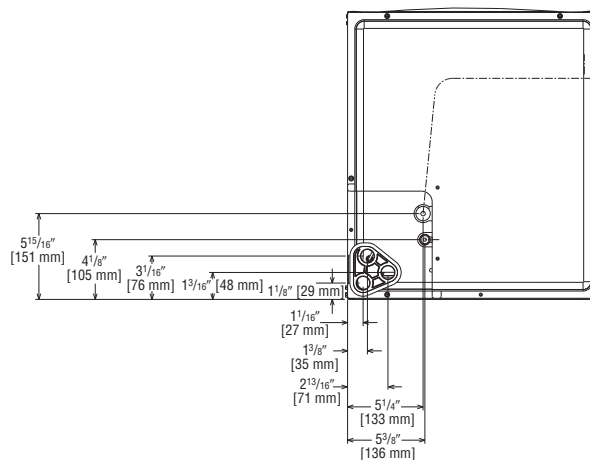
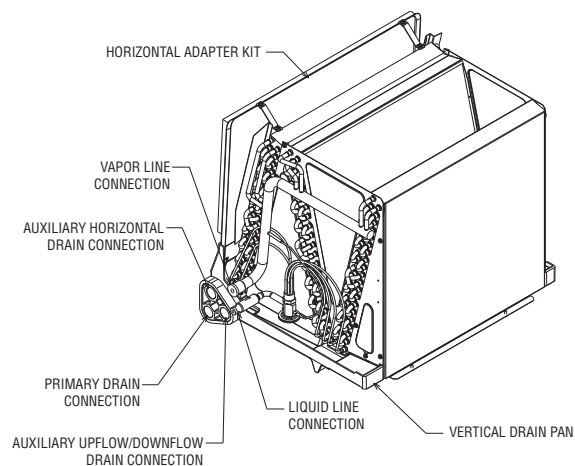


Unit Dimensions



Return Air Opening Dimensions

| Model Cabinet Size | Return Air Opening Width (Inches) | Return Air Opening Depth/Length (Inches) |
|--------------------|-----------------------------------|--|
| 17 | 15 7/8 | 19 3/4 |
| 21 | 19 3/8 | 19 3/4 |
| 24 | 22 7/8 | 19 3/4 |



[] Designates Metric Conversions

() Designates Unit with Double Coil Cabinet

Unit Dimensions & Weights

| Model Size RH1T | Refrigerant Connections Sweat (In.) [mm] ID | | Unit Width "W" In. [mm] | Unit Height "H" In. [mm] | Supply Duct "A" In. [mm] | Air Flow CFM (Nom.) [L/s] | | Unit Weight/Shipping Weight (Lbs.) [kg] |
|--------------------|--|-------------|----------------------------|-----------------------------|-----------------------------|------------------------------|------------|--|
| | Liquid | Vapor | | | | Lo | Hi | Unit With Coil (Max. KW) |
| 2417ST | 3/8 [9.53] | 3/4 [19.05] | 17 1/2 [445] | 42 1/2 [1080] | 16 [406] | 600 [283] | 800 [378] | 92/106 [42/48] |
| 3617ST | 3/8 [9.53] | 3/4 [19.05] | 17 1/2 [445] | 42 1/2 [1080] | 16 [406] | 1000 [472] | 1200 [566] | 96/110 [44/50] |
| 3621HT | 3/8 [9.53] | 7/8 [22.23] | 21 [533] | 57 [1448] | 19 1/2 [495] | 1000 [472] | 1200 [566] | 137/149 [62/68] |
| 3621MT | 3/8 [9.53] | 7/8 [22.23] | 21 [533] | 50 1/2 [1282] | 19 1/2 [495] | 1000 [472] | 1200 [566] | 126/142 [57/64] |
| 4821MT | 3/8 [9.53] | 7/8 [22.23] | 21 [533] | 57 [1448] | 19 1/2 [495] | 1400 [661] | 1600 [755] | 139/151 [63/68] |
| 4821ST | 3/8 [9.53] | 7/8 [22.23] | 21 [533] | 50 1/2 [1282] | 19 1/2 [495] | 1400 [661] | 1600 [755] | 128/144 [56/65] |
| 4824ST | 3/8 [9.53] | 7/8 [22.23] | 24 1/2 [622] | 50 1/2 [1282] | 23 [585] | 1600 [755] | — | 142/160 [64/72] |
| 6021ST | 3/8 [9.53] | 7/8 [22.23] | 21 [533] | 57 [1448] | 19 1/2 [495] | 1600 [755] | 1725 [814] | 139/151 [63/68] |
| 6024ST | 3/8 [9.53] | 7/8 [22.23] | 24 1/2 [622] | 55 1/2 [1410] | 23 [585] | — | 1800 [850] | 159/176 [72/80] |

Before proceeding with installation, refer to installation instructions packaged with each model, as well as complying with all Federal, State, Provincial, and Local codes, regulations, and practices.

Rheem Sales Company, Inc.
P.O. Box 17010, Fort Smith, AR 72917

"In keeping with its policy of continuous progress and product improvement, Rheem reserves the right to make changes without notice."