



**Russell**<sup>®</sup>  
By Rheem

PROJECT NAME \_\_\_\_\_  
LOCATION \_\_\_\_\_  
ARCHITECT \_\_\_\_\_  
ENGINEER \_\_\_\_\_  
CONTRACTOR \_\_\_\_\_  
SUBMITTED BY \_\_\_\_\_ DATE \_\_\_\_\_

**UNIT SUMMARY**

Quantity						
Unit Designation						
Model No.						
Total Cooling						
Sensible Cooling						
Air Ent. Evaporator						
Air Lvg. Evaporator						
Heating Input						
Heating Output						
CFM/ESP						
EER/SEER						
Electrical						
Minimum Ampacity						
Min.-Max. Breaker						
Net Unit Weight						
Accessory						
Catalog Form Number						

**ACCESSORIES:**

**NOTES:**

# Vantix™ Line S801V Ultra Low NOx Gas Furnaces

## Heating Stages: Single Stage

### Input Rates: 50-100 kBTU [14.7-29.3 kW]

JOB NAME \_\_\_\_\_ LOCATION \_\_\_\_\_

CONTRACTOR \_\_\_\_\_ ORDER NO. \_\_\_\_\_

ENGINEER \_\_\_\_\_ UNIT MODEL NO. \_\_\_\_\_

SUBMITTED FOR  APPROVAL  RECORD COIL MODEL NO. \_\_\_\_\_

DATE \_\_\_\_\_ AIR HANDLER MODEL NO. \_\_\_\_\_

#### UNIT DATA

##### HEATING PERFORMANCE

TOTAL CAPACITY INPUT\* ..... \_\_\_\_\_ MBH [kW]

TOTAL CAPACITY OUTPUT\* ..... \_\_\_\_\_ MBH [kW]

DESIGN TEMP. RISE..... \_\_\_\_\_ °F [°C] DB

AFUE ..... \_\_\_\_\_ %

CALIFORNIA SEASONAL EFFICIENCY ..... \_\_\_\_\_ %

(\*uses blower motor heat)

##### SUPPLY AIR BLOWER PERFORMANCE

TOTAL AIR SUPPLY..... \_\_\_\_\_ CFM [L/s]

TOTAL RESISTANCE EXTERNAL TO UNIT..... \_\_\_\_\_ IWG

BLOWER SPEED..... \_\_\_\_\_ RPM

POWER OUTPUT REQUIREMENT ..... \_\_\_\_\_ BHP

MOTOR RATING ..... \_\_\_\_\_ HP [W]

POWER INPUT REQUIREMENT ..... \_\_\_\_\_ kW

##### ELECTRICAL DATA

POWER SUPPLY..... \_\_\_\_\_ Hz

TOTAL UNIT AMPACITY..... \_\_\_\_\_ AMPS

MINIMUM WIRE SIZE..... \_\_\_\_\_ AWG

MAXIMUM OVERCURRENT DEVICE FUSES/HACR BREAKER ..... \_\_\_\_\_ AMPS



#### FEATURES

- **Ultra Low Greenhouse Gas Emissions:** Certified unit meets 14ng/j NOx emission standard – reducing NOx emissions by 65%
- **Diagnostics:** With the Contractor & EcoNet® Apps, built-in EcoNet® & Bluetooth®<sup>1</sup> technology makes monitoring, troubleshooting and repairing the product easier than ever before
- **Dip Switch Free Installation Commissioning via Bluetooth® Technology:** Seamless final install step without DIP switch configuration using the Rheem Contractor App
- **Ignition System:** Proven Direct Spark Ignition (DSI) for reliability and longevity
- **Constant CFM Motor:** Truly variable speed technology allows for ultimate humidity control, quieter sound levels and year-round energy savings
- **Quieter Operation<sup>2</sup>:** A fully insulated blower cabinet, solid bottom and truly variable speed airflow technology makes this furnace one of the quieter options available
- **EcoNet® Enabled Furnace:** The latest in sensor technology and the EcoNet® monitoring system provides a new level of protection, control and energy savings
- **Allows on-the-go control** and receipt of system alerts by the homeowner via the EcoNet® Smart Thermostat and EcoNet® App<sup>3</sup>

#### FIELD INSTALLED ACCESSORIES

- External Bottom Filter Rack RXGF-CB .....
- External Side Filter Rack RXGF-CD .....
- Indoor Coil Casing RXBC-D17A1 .....
- Indoor Coil Casing RXBC-D21A1 .....
- Indoor Coil Casing RXBC-D21B1 .....
- Solid Bottom Kit RXGB-D17 .....
- Solid Bottom Kit RXGB-D21 .....



<sup>1</sup>The Bluetooth® word mark and logos are registered trademarks owned by Bluetooth SIG, Inc. and any use of such marks by Rheem® is under license. Other trademarks and trade names are those of their respective owners.  
<sup>2</sup>Based on manufacturer's furnace offering, and the product's heating stages, motor type and cabinet insulation. Sound levels are also dependent on furnace location and installation.  
<sup>3</sup>Wifi broadband internet connection required. Download the EcoNet® App from the App Store® or Google Play® to set up your EcoNet® Smart Thermostat. Receipt of notifications depend on home WiFi set up. Amazon, Alexa and all related logos are trademarks of Amazon.com, Inc. or its affiliates.

**WARNING**  
 THIS FURNACE IS NOT APPROVED  
 OR RECOMMENDED FOR INSTALLATION  
 ON ITS BACK, WITH ACCESS DOORS  
 FACING UPWARDS.

**Upflow Application**

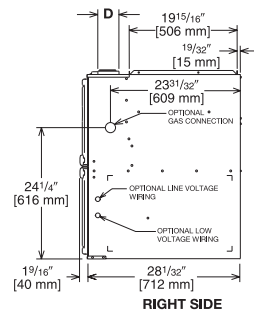
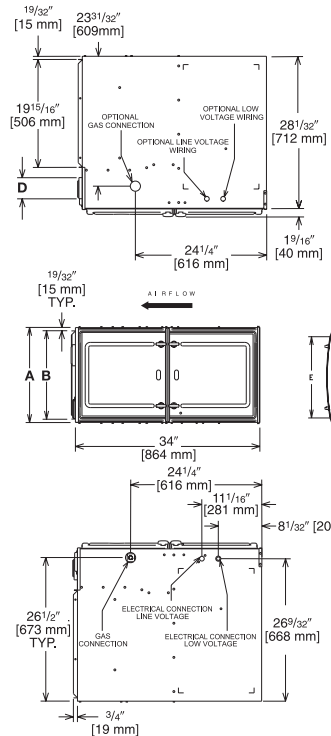
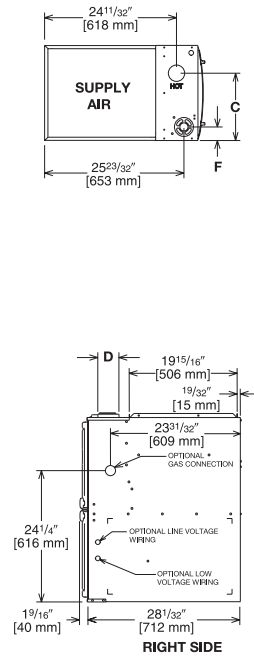
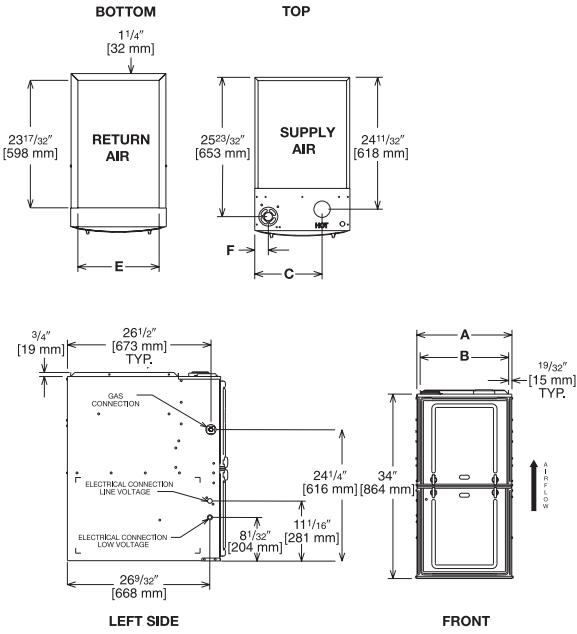


Illustration ST-A1220-04-00 FIGURE 2

Illustration ST-A1220-04-00 FIGURE 1

**Dimensional Data: Upflow Model**

MODEL S801V ULN	A	B	C	D	E	F	MINIMUM CLEARANCE (IN.) [mm]					
							LEFT SIDE	RIGHT SIDE	BACK	TOP	FRONT	VENT
050/070	17 1/2 [445]	16 11/32 [415]	12 3/8 [314]	①	15 [381]	2 1/2 [64]	0	3 [76] ②	0	1 [25]	3 [76]	6 [152] ③
100	21 [533]	19 27/32 [504]	14 1/8 [359]	①	18 1/2 [470]	2 1/2 [64]	0	0	0	1 [25]	3 [76]	6 [152] ③

**Dimensional Data: Horizontal Model**

MODEL S801V ULN	A	B	C	D	E	F	MINIMUM CLEARANCE (IN.) [mm]					
							SUPPLY AIR SIDE	RETURN AIR SIDE	BACK	TOP	FRONT	VENT
050/070	17 1/2 [445]	16 11/32 [415]	12 3/8 [314]	①	15 [381]	2 1/2 [64]	3 [76] ②	3 [76] ②	0	1 [25]	3 [76]	6 [152] ③
100	21 [533]	19 27/32 [504]	14 1/8 [359]	①	18 1/2 [470]	2 1/2 [64]	0	0	0	1 [25]	3 [76]	6 [152] ③

NOTES: ① May require a 3" [76 mm] to 4" [102 mm] or 3" [76 mm] to 5" [127 mm] adapter.  
 ② May be 0" [0 mm] with type B vent.  
 ③ May be 1" [25 mm] with type B vent.

Furnaces must be vented in accordance with the National Fuel Gas Code, ANSI Z223.1 and in accordance with local codes.

[ ] Designates Metric Conversions

Before proceeding with installation, refer to installation instructions packaged with each model, as well as complying with all Federal, State, Provincial, and Local codes, regulations, and practices.

5600 Old Greenwood Road  
 Fort Smith, Arkansas 72908