



The new degree of comfort.®

Endeavor™ Line *Prestige*® Series Gas Furnaces



This product meets a stringent set of our internally defined sustainability standards



R98MV

98% A.F.U.E.†

EcoNet® Enabled

Heating Stages: Modulating

Motor Type: Constant CFM

Input Rates: 60 to 115 kBTU [11.6 to 33.7 kW]

Configuration Options: Upflow



† A.F.U.E. (Annual Fuel Utilization Efficiency) calculated in accordance with Department of Energy test procedures.

Table of Contents

| | |
|--|-----|
| Features & Benefits | 3 |
| Model Number Identification | 4 |
| Physical Data and Specifications | 5 |
| Dimensional Data | 6 |
| Blower Performance Data | 7 |
| Accessories | 8–9 |
| Limited Warranty | 12 |

Features and Benefits

- **PlusOne® Energy Efficiency:** ENERGY STAR® certified, featuring 98% AFUE across all model sizes
- **PlusOne® Diagnostics:** Industry first, 7-Segment LED Display makes service calls quick and easy
- **PlusOne® Ignition System:** Proven Direct Spart Ignition (DSI) for reliability and longevity
- **PlusOne® Water Management System:** Exclusive patented block drain sensor that automatically shuts off the furnace when the drain is blocked and alerts the contractor via diagnostic code
- **Modulating Heating Stage:** Gradual auto-adjustment from low to 100% of capacity to meet precise comfort requirements
- **Constant CFM Motor:** Truly variable speed technology allows for ultimate humidity control, quieter sounds levels and year-round energy savings
- **Quietest Operation¹:** A fully insulated blower cabinet, solid bottom and truly variable speed airflow technology makes this furnace of the quietest available
- **EcoNet® Enabled Furnace:** The latest in sensor technology and the EcoNet® monitoring system provides a new level of protection, control and energy savings
- **Allows on-the-go control** and receipt of system alerts by the homeowner via the EcoNet® Smart Thermostat and EcoNet® App²

¹Based on manufacturer's furnace offering, and the product's heating stages, motor type and cabinet insulation. Sound levels are also dependent on furnace location and installation.

²Wifi broadband internet connection required. Download the EcoNet® App from the App Store® or Google Play® to set up your EcoNet® Smart Thermostat. Receipt of notifications depend on home WiFi set up. Amazon, Alex and all related logos are trademarks of Amazon.com, Inc. or its affiliates.

Gas Furnaces

| <u>R</u> | <u>98</u> | <u>M</u> | <u>V</u> | <u>060</u> | <u>3</u> | <u>A</u> | <u>17</u> | <u>UP</u> | <u>S</u> | <u>G</u> | <u>A</u> | <u>P</u> |
|-----------|--------------------|-------------------|------------------------|--|------------------------------------|-----------------------|--|-------------|--------------|----------------------------|----------------|-------------------|
| Brand | Furnace Efficiency | Stages of Heating | Motor Type | Heating Input | AC Max. Capacity | Major Series | Width | Position | NOx | Controls | Minor Series | Option Code |
| R - Rheem | 98 - 98% AFUE | M - Modulating | V - ECM Variable Speed | 060 - 76,000 [17.6 kW] 070 - 70,000 [20.5 kW] 085 - 85,000 [24.9 kW] 100 - 100,000 [29.3 kW] 115 - 115,000 [33.7 kW] | 3 - 3 ton drive 5 - 5 ton drive | A - 1st Design Series | 17 - 17.5" Width 21 - 21" Width 24 - 24.5" Width | UP - Upflow | S - Standard | G - Communicating, EcoNet® | A - 1st Series | P - Premium Grade |

[] Designates Metric Conversions

| AVAILABLE MODELS |
|--------------------|
| R98MV0603A17UPSGAP |
| R98MV0703A17UPSGAP |
| R98MV0855A21UPSGAP |
| R98MV1005A21UPSGAP |
| R98MV1155A24UPSGAP |

| STANDARD EQUIPMENT |
|---|
| 100% Safety Lock Out |
| 29-4C Stainless Steel Secondary Heat Exchanger Design |
| 7 Segment LED |
| Adjustable Cool Fan Off Delay |
| Adjustable Heat Fan Off Delay |
| Aluminized Steel Primary Heat Exchanger Design |
| Blocked Drain Sensor |
| Blower Compartment Door Safety Switch |
| Completely Assembled and Wired |
| Direct Drive Motor |
| Econet Thermostat Connections (Enables Modulating Heat) |
| Electronic Air Cleaner Connections |
| Flame Sense Current Diagnostics |
| Fully Insulated Heat Exchanger Cabinet |
| Humidifier Connections |
| Humidifier On/Off Delay |
| Limit Controls |
| Low Speed Continuous Fan Option |
| Manual Shut-Off Valve |
| Marked Condensate Hoses |
| Modulating Redundant Main Gas Control |
| One Hour Automatic Retry |
| Power and Self-Test Diagnostics |
| Pressure Switches |
| Solid Bottom |
| Blower Insulation |
| Solid State time on/Off Blower Control |
| Transformer |
| Two-Plus Stage Cooling Thermostat Connection ¹ |
| Two Stage Heating Thermostat Connection (Three Stage Heating Operation) |
| Variable Speed 3 Phase Induced Draft Motor |
| Variable Speed Electrically Commutated Blower Motor (ECM) |

¹When Connected to Three Speed or Modulating AC/HP Product

WARNING
THIS FURNACE IS NOT APPROVED
OR RECOMMENDED
FOR USE IN MOBILE HOMES

Physical Data and Specifications U.S. and Canadian Models

| MODEL NUMBER | (-)98MV(-)060A317U(-) | (-)98MV(-)070A317U(-) | (-)98MV(-)085A521U(-) | (-)98MV(-)100A521U(-) | (-)98MV(-)115A524U(-) |
|--|-----------------------|-----------------------|------------------------|------------------------|------------------------|
| HIGH FIRE INPUT BTU/HR [kW] | 56,000 [16.41] | 70,000 [20.50] | 84,000 [24.61] | 98,000 [28.72] | 112,000 [32.82] |
| LOW FIRE INPUT | 22,400 [6.56] | 28,000 [8.21] | 33,600 [9.85] | 39,000 [11.49] | 44,800 [13.13] |
| HEATING CAPACITY BTU/HR [kW] | 55,000 [16.12] | 69,000 [20.22] | 83,000 [24.32] | 97,000 [28.43] | 110,000 [32.24] |
| BLOWER (D x W) [mm] | 11 x 8 [279 x 203] | 11 x 8 [279 x 203] | 11 x 10 [279 x 254] | 11 x 10 [279 x 254] | 11 x 11 [279 x 279] |
| MOTOR H. P. [W]-TYPE | 1/2 [373] E. C. M. | 1/2 [373] E. C. M. | 3/4 [559] E. C. M. | 3/4 [559] E. C. M. | 3/4 [559] E. C. M. |
| MIN. CIRCUIT AMPACITY | 10.00 | 10.00 | 12.00 | 13.00 | 12.00 |
| MIN. OVERLOAD PROTECTION DEVICE | 15.00 | 15.00 | 15.00 | 15.00 | 15.00 |
| MAX. OVERLOAD PROTECTION DEVICE | 15.00 | 15.00 | 20.00 | 20.00 | 20.00 |
| MAXIMUM EXT. STATIC PRESSURE IN. W.C. [kPa] | 1.0 [0.249] | 1.0 [0.249] | 1.0 [0.249] | 1.0 [0.249] | 1.0 [0.249] |
| MAXIMUM HEATING CFM [L/s] | 954 [450] | 1109 [524] | 1294 [611] | 1644 [776] | 1629 [769] |
| COOLING CFM @ .50" W.C. [.124 kPa] E.S.P. [L/s] | 1050 [496] | 1050 [496] | 1750 [825] | 1750 [825] | 1750 [825] |
| TEMPERATURE RISE- HIGH FIRE °F [°C] | 40 - 70 [22 - 39] | 40 - 70 [22 - 39] | 40 - 70 [22 - 39] | 40 - 70 [22 - 39] | 45 - 75 [25 - 41] |
| TEMPERATURE RISE- LOW FIRE °F [°C] | 20 - 50 [11 - 28] | 20 - 50 [11 - 28] | 20 - 50 [11 - 28] | 25 - 55 [13 - 30] | 20 - 50 [11 - 28] |
| APPROX. SHIPPING WEIGHT (LBS) [kg] | 128 [58] | 132 [60] | 147.5 [67] | 152 [69] | 165 [75] |
| AFUE ① | 98.7% | 98.3% | 98.1% | 98.1% | 98.6% |

NOTES: All models are 115V, 60HZ, 1 phase Gas connection size for all models is 1/2" [13 mm] N.P.T.

① In accordance with D.O.E. test procedures.

*S=Standard Models

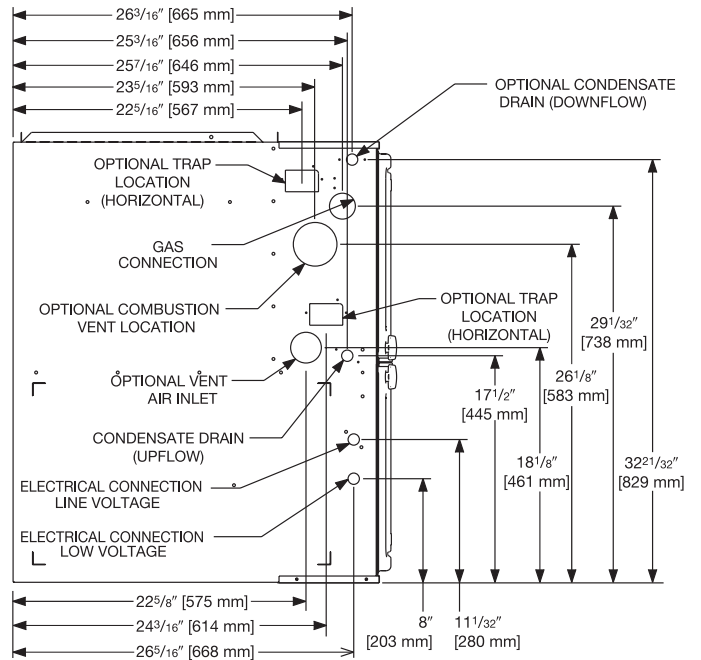
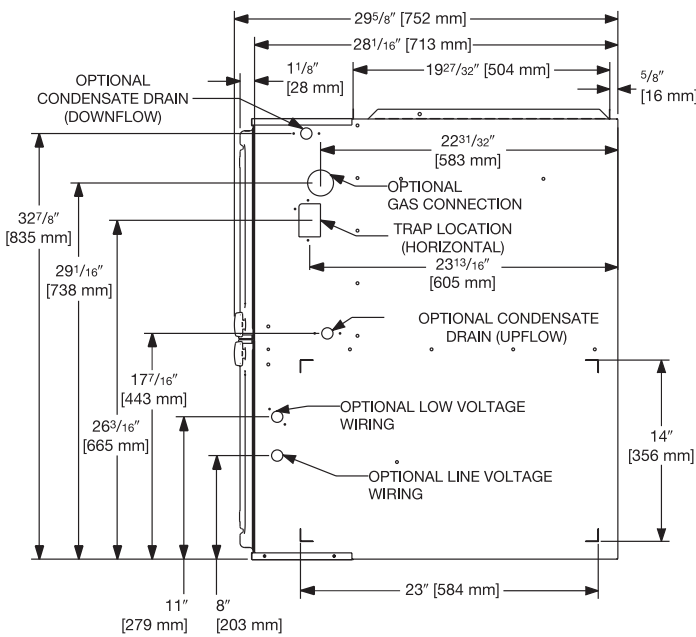
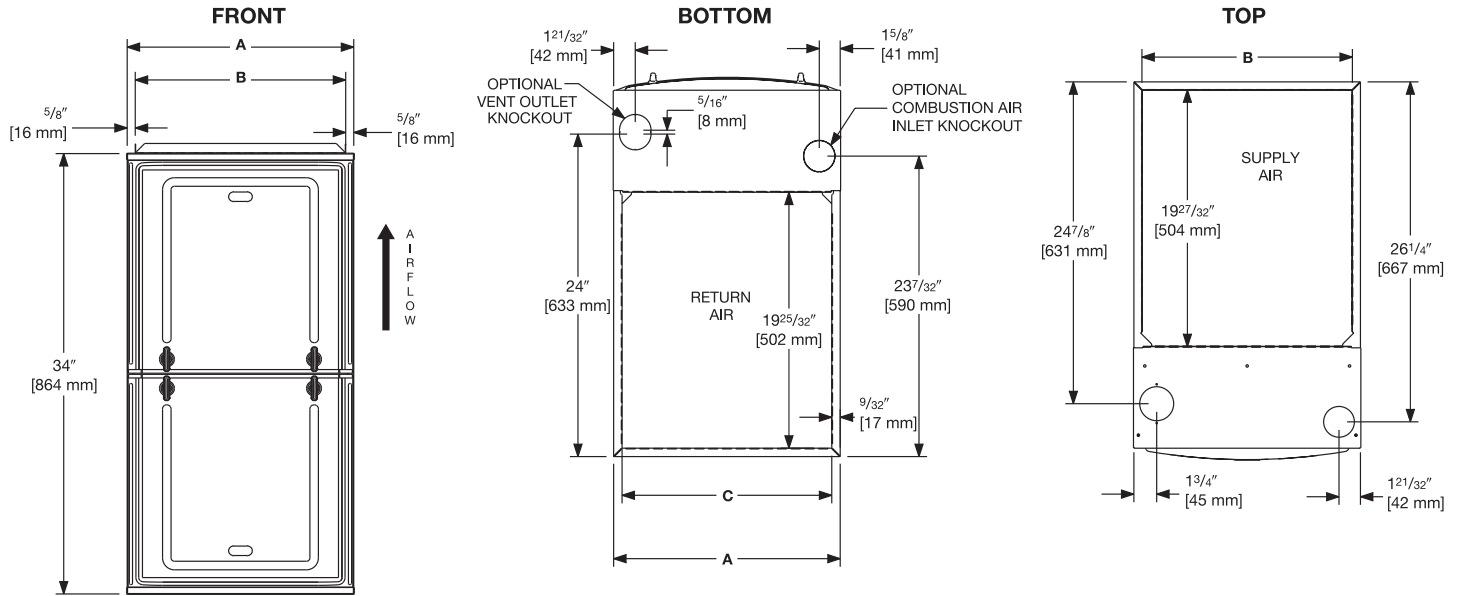
NOTE: Standard model complies with California low NOx requirements.

This furnace does not meet air district requirements of 14 ng/J NOx emissions limit, and thus is subject to a mitigation fee of up to \$450.

This furnace is to be installed for propane firing only in air districts requiring 14 ng/J NOx emission limits. Operating in natural gas mode is in violation of these Rules.

[] Designates Metric Conversions

Upflow Application



Dimensional Data: Upflow Model

| MODEL R98MV | LEFT SIDE | MINIMUM CLEARANCE (IN.) [mm] | | | | | FLANGE DIMENSIONS | | |
|-------------|-----------|------------------------------|------|--------|--------|------|-------------------|----------------|----------------|
| | | RIGHT SIDE | BACK | TOP | FRONT | VENT | A | B | C |
| 060 | 0 | 0 | 0 | 1 [25] | 2 [51] | 0 | 17 1/2 [445] | 16 17/64 [413] | 16 13/64 [412] |
| 070 | 0 | 0 | 0 | 1 [25] | 2 [51] | 0 | 17 1/2 [445] | 16 17/64 [413] | 16 13/64 [412] |
| 085 | 0 | 0 | 0 | 1 [25] | 2 [51] | 0 | 21 [533] | 19 49/64 [502] | 19 45/64 [500] |
| 100 | 0 | 0 | 0 | 1 [25] | 2 [51] | 0 | 21 [533] | 19 49/64 [502] | 19 45/64 [500] |
| 115 | 0 | 0 | 0 | 1 [25] | 2 [51] | 0 | 24 1/2 [662] | 23 17/64 [591] | 23 13/64 [589] |

*A service clearance of at least 24" is recommended in front of all furnaces
 Supply and return depicted as upflow configuration.
 Flange configuration will vary depending on installation orientation.

[] Designates Metric Conversions

Blower Performance Data

| Comfort Select – CFM Options | | | | | | |
|---|----------------------|-----------------------|-----------------------|----------------------|-----------------------|-----------------------|
| Model Number | | (-)98V(-)060A317U(--) | (-)98V(-)070A317U(--) | (-)98V(-)085A521U(-) | (-)98V(-)100A521U(--) | (-)98V(-)115A524U(--) |
| HEATING CFM [L/s] | LOW HEAT (40%) | 428 [202] | 466 [220] | 568 [268] | 544 [257] | 778 [367] |
| | MEDIUM HEAT (65%) | 562 [265] | 635 [300] | 754 [356] | 855 [404] | 990 [467] |
| | HIGH HEAT (100%) | 749 [353] | 871 [411] | 1015 [479] | 1290 [609] | 1286 [607] |
| Efficiency Select – CFM Options (factory setting) | | | | | | |
| HEATING CFM [L/s] | LOW HEAT (40%) | 550 [260] | 599 [283] | 730 [345] | 725 [342] | 1000 [472] |
| | MEDIUM HEAT (65%) | 690 [325] | 778 [367] | 926 [437] | 1058 [499] | 1271 [600] |
| | HIGH HEAT (100%) | 885 [418] | 1029 [486] | 1200 [566] | 1525 [720] | 1520 [717] |
| | MAX HEAT (-4°F) | 954 [450] | 1109 [524] | 1294 [611] | 1645 [776] | 1629 [769] |

*S = Standard Models

NOTES Standard model complies with California low NOx requirements.

Refer to Installation Manual for complete heating dip switch options.

| COOLING CFM | | | | | | | | |
|---|------------------------------|---------------|-----------------------|-----------------------|----------------------|-----------------------|-----------------------|---------------|
| Model Number | | | (-)98V(-)060A317U(--) | (-)98V(-)070A317U(--) | (-)98V(-)085A521U(-) | (-)98V(-)100A521U(--) | (-)98V(-)115A524U(--) | |
| TARGET COOLING/ HEAT PUMP AIRFLOW | HIGH COOLING CFM [L/s] | SW 4 = OFF | SW 5 = OFF | 1050 [496] | 1050 [496] | 1750 [825] | 1750 [825] | 1750 [825] |
| | | SW 4 = ON | SW 5 = OFF | 875 [413] | 875 [413] | 1400 [661] | 1400 [661] | 1400 [661] |
| | | SW 4 = OFF | SW 5 = ON | 700 [330] | 700 [330] | 1225 [578] | 1225 [578] | 1225 [578] |
| | | SW 4 = ON | SW 5 = ON | 525 [248] | 525 [248] | 1050 [496] | 1050 [496] | 1050 [496] |
| | LOW COOLING CFM [L/s] | SW 4 = OFF | SW 5 = OFF | 788 [372] | 788 [372] | 1313 [619] | 1313 [619] | 1313 [619] |
| | | SW 4 = ON | SW 5 = OFF | 656 [310] | 656 [310] | 1050 [496] | 1050 [496] | 1050 [496] |
| | | SW 4 = OFF | SW 5 = ON | 525 [248] | 525 [248] | 919 [434] | 919 [434] | 919 [434] |
| | | SW 4 = ON | SW 5 = ON | 394 [185] | 394 [185] | 788 [372] | 788 [372] | 788 [372] |

[] Designates Metric Conversions

Vent Termination Kits:

RXGY-E02: Vertical/Horizontal Concentric Vent Termination Kit
2" Pipe (US Only)

RXGY-E02A: Vertical/Horizontal Concentric Vent Termination Kit
2" Pipe (US & Canadian)

RXGY-E03: Vertical/Horizontal Concentric Vent Termination Kit
3" Pipe (US Only)

RXGY-E03A: Vertical/Horizontal Concentric Vent Termination Kit
3" Pipe (US & Canadian)

RXGY-G02: Direct Vent Furnace Side Wall Vent 2" or 3" (US Only)

RXGY-D05: Combustion Air Drain Kit 2"

RXGY-D06: Combustion Air Drain Kit 3"

NEUTRALIZER KIT: RXGY-A01
(Replacement Cartridge 54-22120-01)

EXTERNAL BOTTOM FILTER (UPFLOW) RACK: RXGF-CB

EXTERNAL SIDE (UPFLOW) FILTER RACK: RXGF-CD

| FILTER RACK FILTER SIZES* INCHES [mm] | |
|---------------------------------------|-------------------|
| MODEL | RXGF-CD (UPFLOW) |
| (-)98V(-)060 | 16 x 24 [40 x 61] |
| (-)98V(-)070 | 16 x 24 [40 x 61] |
| (-)98V(-)085 | 20 x 24 [51 x 61] |
| (-)98V(-)100 | 20 x 24 [51 x 61] |
| (-)98V(-)115 | 24 x 24 [61 x 61] |

*Filter racks are shipped without filters.
A suitable 1" [25.4 mm] filter may be used

[] Designates Metric Conversions

Indoor Coil Casings

| MODEL NUMBER |
|--------------|
| RXBC-D17A1 |
| RXBC-D21A1 |
| RXBC-D21B1 |
| RXBC-D24A1 |

For High Altitudes:

NOTE: Modulating furnaces require a unique 2% derate at altitudes above 2,000 feet. See Installation Instructions for details.

HIGH ALTITUDE KITS

(-)98V(-)060A317U(--) RXGY-F53
 (-)98V(-)070A317U(--) RXGY-F54
 (-)98V(-)085A521U(--) RXGY-F55
 (-)98V(-)100A521U(--) RXGY-F56
 (-)98V(-)115A524U(--) RXGY-F57

L.P. CONVERSION KIT: RXGJ-FP37

CONDENSATE PUMP KIT: PROSTOCK & 1PCB151TUL

COMBUSTIBLE FLOOR BASE: RXGC-B17
 RXGC-B21
 RXGC-B24



THE ECONET® SMART THERMOSTAT

BUILT-IN WIFI

4.3" LCD TOUCH SCREEN

LOCAL WEATHER – Current conditions plus 6-day forecast

5 OPERATING MODES – Heat, Cool, Auto, Emergency Heat and Fan Only

7-DAY PROGRAMMABLE SCHEDULE – Offers comfort without thought

ONE-TOUCH AWAY – Quickly switch to your energy-saving away preferences

VACATION SCHEDULING – Allows you to save while you're away and come home to comfort

STANDBY SCREEN – Displays indoor temperature and current weather



RETST800SYS

OPERATIONAL FEATURES

AUTOMATIC CHANGEOVER – Transitions between heating and cooling automatically to keep the house comfortable

INTEGRATED WATER CONTROL – Enables easy water heater management

SMOOTH ARRIVAL – Prompts the system to start ahead of schedule to ensure the home is at the desired temperature at the scheduled time

HUMIDITY CONTROL – Supports humidifier accessories or over-cool based dehumidification

DETAILED OPERATING STATUS – View pertinent equipment status information and run times

CONTINUOUS FAN – Offers 5 speeds (Low, Medium Low, Medium, Medium High, High)

SHORT-CYCLE PROTECTION – Avoids damage to equipment from short run cycles

MONITORING & REMOTE CONTROL FEATURES

ACTIVE MONITORING – Alerts to problems that need immediate attention

REMOTE CONTROL – Allows adjusting of comfort and settings from anywhere using a mobile device

SERVICE ALERTS – Sends routine maintenance reminders

AIR FILTER MONITORING – Detects when it's time to replace the air filter

ALARM HISTORY – Displays time-stamped alarm codes with clear descriptions



The new degree of comfort.®

GENERAL TERMS OF LIMITED WARRANTY*

Rheem will furnish a replacement for any part of this product which fails in normal use and service within the applicable period stated, in accordance with the terms of the limited warranty.

***For complete details of the Limited and Conditional Warranties, including applicable terms and conditions, contact your local contractor or the Manufacturer for a copy of the product warranty certificate.**

| | |
|--|------------------|
| Conditional Unit Replacement (Registration Required)..... | Limited Lifetime |
| Heat Exchanger | Limited Lifetime |
| Parts | Ten (10) Years |

Before proceeding with installation, refer to installation instructions packaged with each model, as well as complying with all Federal, State, Provincial, and Local codes, regulations, and practices.

© 2022 Rheem Manufacturing Company. Rheem trademarks owned by Rheem Manufacturing Company.

In keeping with its policy of continuous progress and product improvement, Rheem reserves the right to make changes without notice.

Rheem Heating, Cooling & Water Heating • 5600 Old Greenwood Road
Fort Smith, Arkansas 72908 • www.rheem.com

Rheem Canada Ltd./Ltée • 125 Edgeware Road, Unit 1
Brampton, Ontario • L6Y 0P5 • rheem.ca.com