

## Endeavor<sup>®</sup> Line *Choice*<sup>®</sup> Series iC Air Conditioners



*This product meets a stringent set of our internally defined sustainability standards*

### WA15AZ

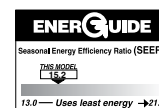
Cooling Efficiencies up to: 15.2 SEER2 / 9.8 EER2

Nominal Sizes: 2 to 5 Tons [7.0 to 17.6 kW]

Cooling Capacities: 17.1 to 55.5 kBTU [5.0 to 16.3 kW]



9001:2015



## Table of Contents

Features and Benefits .....	3
Model Number Identification .....	4
General Data/Electrical Data .....	5
Accessories .....	6
Weighted Sound Power .....	6
Unit Dimensions .....	7
Clearances .....	8
Refrigerant Line Size Information .....	9-10
Performance Data .....	11
Limited Warranty .....	12

## Features and Benefits

- **Bluetooth®<sup>1</sup> Connectivity:** With the Ruud Contractor App, built-in technology makes advanced set-up, monitoring, troubleshooting and repairing the product easier than ever before
- **Variable Speed Twin Rotary Compressor & Inverter Drive:**
  - 3+ Stage Operation when installed with a 24V two-stage thermostat
  - Provides precise temperature control, advanced humidity control and greater efficiency
- **Swept Wing Fan Technology:** Features quieter operation and improved unit acoustics
- **7mm Condenser Copper Coil:** Requires less refrigerant allowing for a smaller and lighter footprint while enhancing reliability
- **Pre-Painted Louvered Steel Cabinet:** Features durable construction to add protection from yard hazards, weather corrosion
- **Easily Accessible Control Box:** Leads to ease of installation and future serviceability

<sup>1</sup>The Bluetooth® word mark and logos are registered trademarks owned by Bluetooth SIG, Inc. and any use of such marks by Rheem® is under license. Other trademarks and trade names are those of their respective owners.

# Air Conditioners

<u>W</u>	<u>A</u>	<u>15</u>	<u>A</u>	<u>Z</u>	<u>24</u>	<u>A</u>	<u>J</u>	<u>3</u>	<u>N</u>	<u>A</u>
Brand	Product Category	SEER2	Region	Refrigerant	Capacity BTU/HR	Major Series	Voltage	Type	Controls	Minor Series
W - Ruud	A - Air Conditioners	15 - 15.2 SEER2	A - All	Z - R-410A	24 - 24,000 [7.03 kW] 36 - 36,000 [10.55 kW] 48 - 48,000 [14.07 kW] 60 - 60,000 [17.58 kW]	A - 1st Design	J - 208/230/1/60	3 - 3+ Stage	N - Non-Communicating	A - 1st Design

[ ] Designates Metric Conversions

AVAILABLE MODELS
WA15AZ24AJ3NA
WA15AZ36AJ3NA
WA15AZ48AJ3NA
WA15AZ60AJ3NA

STANDARD EQUIPMENT
R-410A Refrigerant
Twin Rotary Compressor
Field Installed Filter Drier
Front Seating Service Valves
Internal Pressure Relief Valve
Internal Thermal Overload
Long Line capability
Low Ambient capability with Kit
Optimized Venturi Airflow
Rust resistant screws
QR code
External gauge ports

<b>General Data</b>				
<b>MODEL NO.</b>	<b>WA15AZ24AJ3</b>	<b>WA15AZ36AJ3</b>	<b>WA15AZ48AJ3</b>	<b>WA15AZ60AJ3</b>
<b>Nominal Tonnage</b>	2.0	3.0	4.0	5.0
<b>Valve Connections</b>				
Liquid Line O.D. – in.	3/8	3/8	3/8	3/8
Suction Line O.D. – in.	3/4	3/4	7/8	7/8
<b>Refrigerant (R-410A) furnished oz.<sup>1</sup></b>	91	119	130	154
<b>Compressor Type</b>	Twin Rotary			
<b>Outdoor Coil</b>				
Net face area – Outer Coil	11.79	14.4	16.42	17.88
Net face area – Inner Coil	—	—	—	—
Tube diameter – in.	0.276	0.276	0.276	0.276
Number of rows	1	1	1	1
Fins per inch	24	24	24	24
<b>Outdoor Fan</b>				
Diameter – in.	20	24	24	26
Number of blades	3	3	3	3
Motor hp	1/5	1/5	1/3	1/2
CFM	2908	4138	4529	5274
RPM	1075	1000	1075	1075
Watts	170	267	294	370
<b>Shipping weight – lbs.</b>	190	212	244	263
<b>Operating weight – lbs.</b>	166	184	213	231
<b>Electrical Data</b>				
<b>Line Voltage Data (Volts-Phase-Hz)</b>	<b>208/230-1-60</b>	<b>208/230-1-60</b>	<b>208/230-1-60</b>	<b>208/230-1-60</b>
<b>Maximum overcurrent protection (amps)<sup>2</sup></b>	20	30	40	50
<b>Minimum circuit ampacity<sup>3</sup></b>	12	20	25	32
<b>Compressor</b>				
Rated load amps	10	15	20	25
Locked rotor amps	65	70	96	119

<sup>1</sup>Refrigerant charge sufficient for 15 ft. length of refrigerant lines. For longer line set requirements see the installation instructions for information about set length and additional refrigerant charge required.

<sup>2</sup>HACR type circuit breaker or fuse.

<sup>3</sup>Refer to National Electrical Code manual to determine wire, fuse and disconnect size requirements.

## Accessories

MODEL NO.		WA15AZ24AJ3	WA15AZ36AJ3	WA15AZ48AJ3	WA15AZ60AJ3
Compressor crankcase heater*		N/A	N/A	N/A	N/A
Low ambient control		47-102709-10	47-102709-10	47-102709-10	47-102709-10
Compressor sound cover		68-23427-27	68-23427-28	68-23427-29	68-23427-29
Low pressure control		47-103454-01	47-103454-01	47-103454-01	47-103454-01
High pressure control		47-103669-02	47-103669-02	47-103669-02	47-103669-02
Liquid Line Solenoid (24 VAC, 50/60 Hz)	Solenoid Valve	200RD2T3TVLC	200RD2T3TVLC	200RD2T3TVLC	200RD2T3TVLC
	Solenoid Coil	61-AMG24V	61-AMG24V	61-AMG24V	61-AMG24V
Liquid Line Solenoid (120/240 VAC, 50/60 Hz)	Solenoid Valve	200RD2T3TVLC	200RD2T3TVLC	200RD2T3TVLC	200RD2T3TVLC
	Solenoid Coil	61-AMG120/240V	61-AMG120/240V	61-AMG120/240V	61-AMG120/240V

\*Crankcase Heater recommended with Low Ambient Kit.

## Weighted Sound Power Level (dBA)

Unit Size - Voltage, Series	Standard Rating (dBA) Low Speed/ High Speed	TYPICAL OCTAVE BAND SPECTRUM (dBA without tone adjustment)							Sound Power
		125	250	500	1000	2000	4000	8000	
WA15AZ24AJ3	63.3	35.9	47.9	55.3	53.2	50.4	47.1	43.8	Sound Blankets – Standard
	71.7	46.1	59.1	63.2	60.8	58.7	56.5	47.9	
WA15AZ36AJ3	61.4	38.5	48.0	53.8	49.2	45.9	47.0	47.4	
	72.9	47.5	59.5	64.9	60.7	62.6	57.0	49.6	
WA15AZ48AJ3	63.8	42.3	45.9	53.5	48.9	45.8	59.1	36.4	
	76.2	49.4	61.4	68.1	53.9	60.8	57.4	48.5	
WA15AZ60AJ3	65.7	39.7	49.0	58.2	54.5	52.2	53.8	41.3	
	76.7	49.3	64.6	68.1	65.1	62.6	58.6	53.0	

**NOTE:** Tested in accordance with AHRI Standard 270-08 (not listed in AHRI)

## Unit Dimensions

MODEL NO.	OPERATING						SHIPPING					
	H (Height)		L (Length)		W (Width)		H (Height)		L (Length)		W (Width)	
	INCHES	mm	INCHES	mm	INCHES	mm	INCHES	mm	INCHES	mm	INCHES	mm
WA15AZ24AJ3	27.17	690	29.54	750	29.54	750	29.06	738	32.63	829	32.63	829
WA15AZ36AJ3	27.17	690	33.66	855	33.66	855	29.06	738	36.63	930	36.63	930
WA15AZ48AJ3	31.17	792	33.66	855	33.66	855	33.06	840	36.63	930	36.63	930
WA15AZ60AJ3	31.17	792	35.54	903	35.54	903	33.06	840	38.63	981	38.63	981

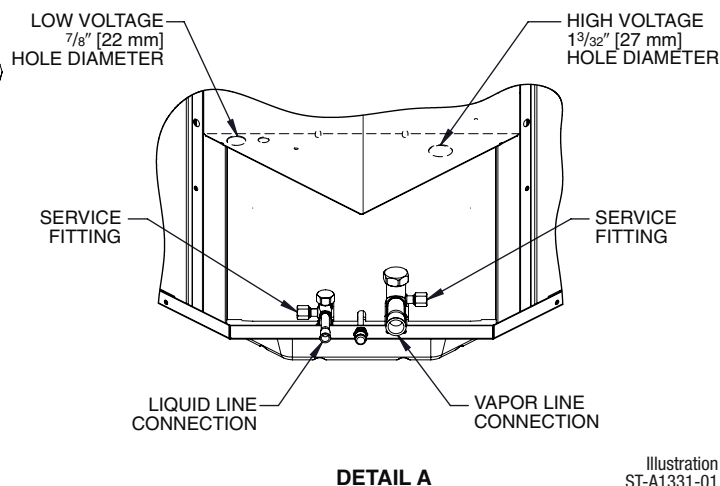
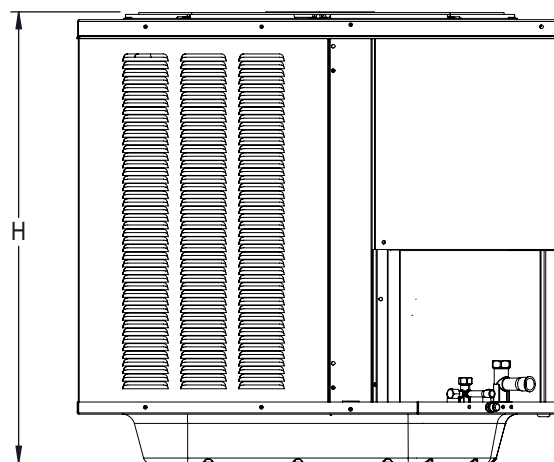
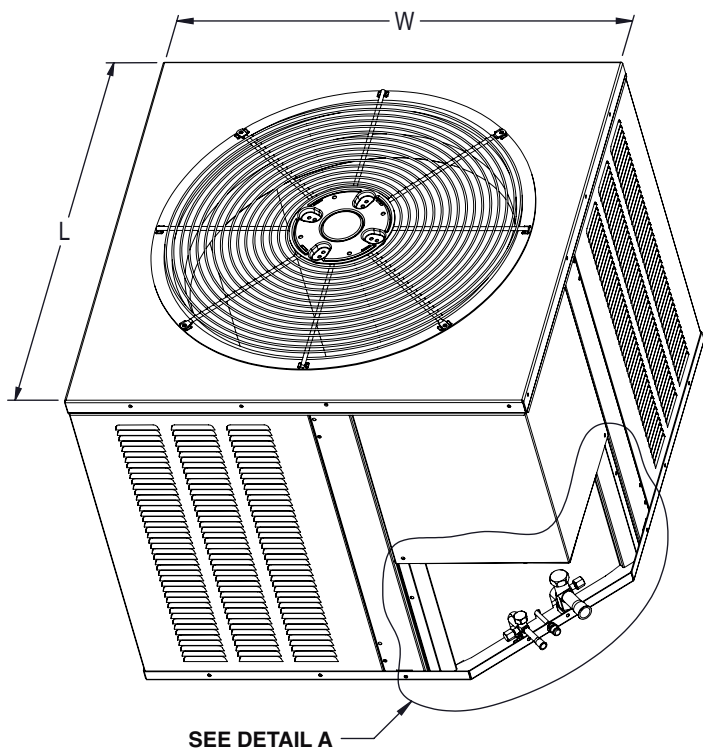
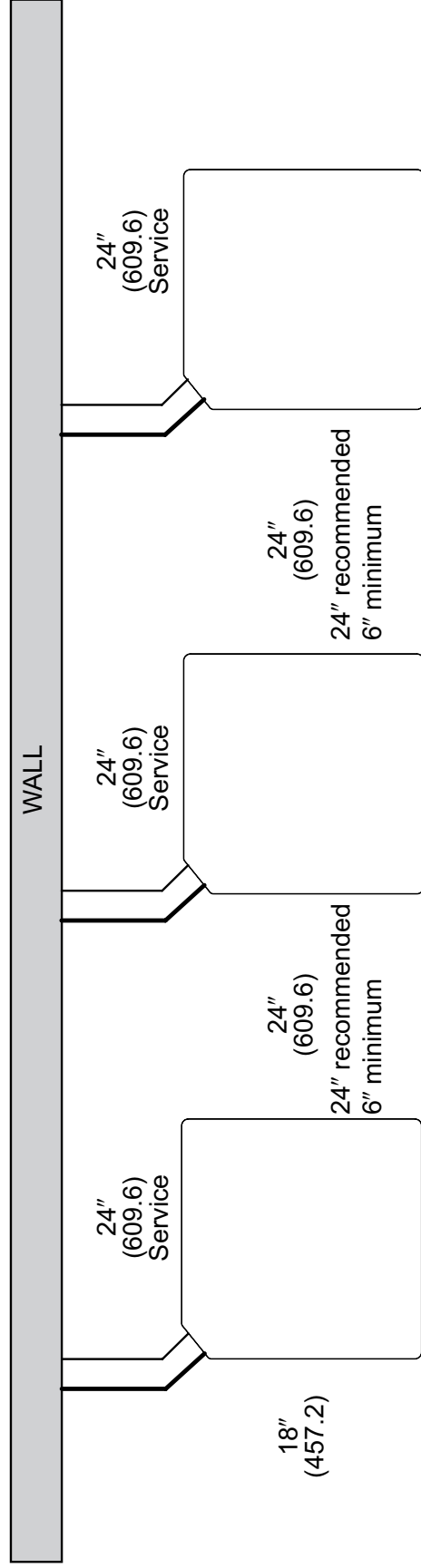
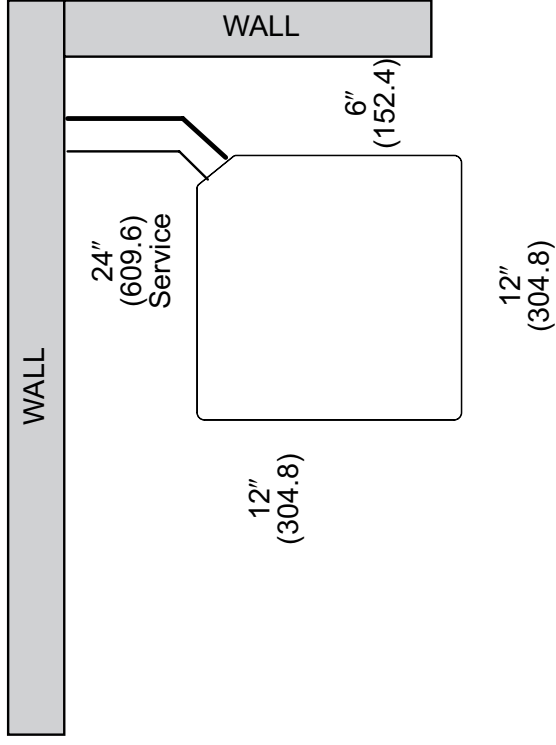
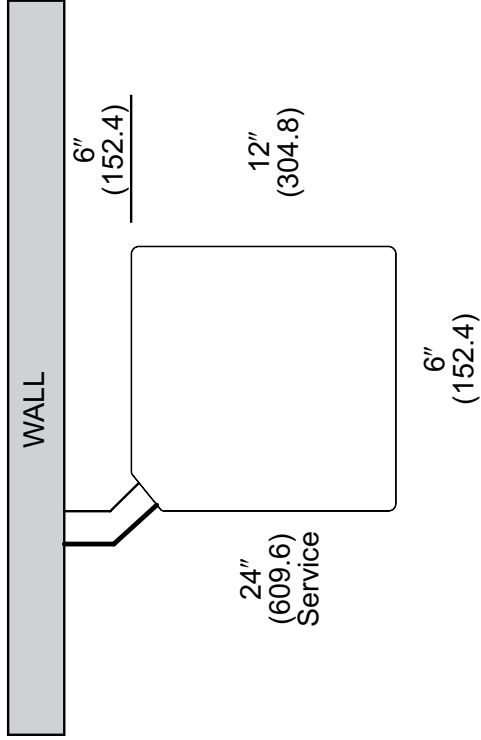


Illustration  
ST-A1331-01  
Rev. 10-20-2022

**NOTE:** Illustrations show the deep drawn basepan.

[ ] Designates Metric Conversions

# CLEARANCES



**NOTE: NUMBERS IN ( ) = mm**

**IMPORTANT:** When installing multiple units in an alcove, roof well or partially enclosed area, ensure there is adequate ventilation to prevent re-circulation of discharge air.



## Refrigerant Line Size Information

15/16 SEER2 VARIABLE SPEED AIR CONDITIONERS								
Unit Size	Allowable Liquid Line Size	Allowable Vapor Line Size	Outdoor Unit ABOVE or BELOW Indoor Unit Equivalent Length (Feet)					
			< 25	26-50	51-75	76-100	101-125	126-150
			Maximum Vertical Separation / Capacity Multiplier					
2.0 Ton **SEE NOTE 3	1/4"	5/8"	25/1.00	50/0.99	32/0.98	40/0.97	NR	NR
	5/16"	5/8"	25/1.00	50/0.99	50/0.98	50/0.97	50/0.96	50/0.95
	3/8"	5/8"	25/1.00	50/0.99	50/0.98	50/0.97	50/0.96	50/0.95
	1/4"	3/4"	25/1.00	50/1.00	32/0.99	40/0.99	NR	NR
	5/16"	3/4"	25/1.00	50/1.00	50/0.99	50/0.99	50/0.99	50/0.98
	3/8"	3/4"	25/1.00	50/1.00	50/0.99	50/0.99	50/0.99	50/0.98
3 Ton	5/16"	5/8"	25/0.99	50/0.97	50/0.95	50/0.93	37/0.91	NR
	3/8"	5/8"	25/0.99	50/0.97	50/0.95	50/0.93	50/0.91	NR
	5/16"	3/4"	25/1.00	50/0.99	50/0.99	50/0.98	37/0.97	22/0.96
	3/8"	3/4"	25/1.00	50/0.99	50/0.99	50/0.98	50/0.97	50/0.96
	1/2"	3/4"	25/1.00	50/0.99	50/0.99	50/0.98	50/0.97	50/0.96
4 Ton	3/8"	3/4"	25/0.99	50/0.98	50/0.97	50/0.96	50/0.94	50/0.93
	1/2"	3/4"	25/0.99	50/0.98	50/0.97	50/0.96	50/0.94	50/0.93
	3/8"	7/8"	25/1.00	50/0.99	50/0.99	50/0.98	50/0.98	50/0.97
	1/2"	7/8"	25/1.00	50/0.99	50/0.99	50/0.98	50/0.98	50/0.97
5 Ton	3/8"	3/4"	25/0.99	50/0.97	50/0.95	50/0.93	50/0.91	NR
	1/2"	3/4"	25/0.99	50/0.97	50/0.95	50/0.93	50/0.91	NR
	3/8"	7/8"	25/1.00	50/0.99	50/0.98	50/0.98	50/0.97	38/0.96
	1/2"	7/8"	25/1.00	50/0.99	50/0.98	50/0.98	50/0.97	50/0.96

**NOTES:**

- 1) Do not exceed 150 ft. linear line length.
- 2) \*Do not exceed 50 ft. vertical separation between indoor and outdoor units.
- 3) \*\*3/4" suction line should only be used for 2 ton systems if outdoor unit is below or at same level as indoor unit to assure proper oil return.
- 4) Always use the smallest liquid line allowable to minimize refrigerant charge.
- 5) Applications shaded in light gray indicate capacity multipliers between 0.90 and 0.96 which are not recommended, but are allowed.
- 6) Applications shaded in dark gray are not recommended due to excessive liquid or suction pressure drop.

[ ] Designates Metric Conversions

## Refrigerant Line Size Information (Con't.)

15/16 SEER2 VARIABLE SPEED AIR CONDITIONERS								
Unit Size	Allowable Liquid Line Size	Allowable Vapor Line Size	Outdoor Unit ABOVE or BELOW Indoor Unit Equivalent Length (Meters)					
			< 8	8-15	16-23	23-31	31-38	38-46
			Maximum Vertical Separation / Capacity Multiplier					
2.0 Ton <b>**SEE NOTE 3</b>	6.35 [1/4]	15.88 [5/8]	8/1.00	15/0.99	10/0.98	10/0.97	NR	NR
	7.94 [5/16]	15.88 [5/8]	8/1.00	15/0.99	15/0.98	15/0.97	15/0.96	15/0.95
	9.53 [3/8]	15.88 [5/8]	8/1.00	15/0.99	15/0.98	15/0.97	15/0.96	15/0.95
	6.35 [1/4]	19.05 [3/4]**	8/1.00	15/0.99	10/0.99	12/0.99	NR	NR
	7.94 [5/16]	19.05 [3/4]**	8/1.00	15/0.99	15/0.99	15/0.99	15/0.99	15/0.98
	9.53 [3/8]	19.05 [3/4]**	8/1.00	15/0.99	15/0.99	15/0.99	15/0.99	15/0.98
3 Ton	7.94 [5/16]	15.88 [5/8]	8/0.99	15/0.97	15/0.95	15/0.93	11/0.91	NR
	9.53 [3/8]	15.88 [5/8]	8/0.99	15/0.97	15/0.95	15/0.93	15/0.91	NR
	7.94 [5/16]	19.05 [3/4]	8/1.00	15/0.99	15/0.99	15/0.98	11/0.97	7/0.96
	9.53 [3/8]	19.05 [3/4]	8/1.00	15/0.99	15/0.99	15/0.98	15/0.97	15/0.96
	12.7 [1/2]	19.05 [3/4]	8/1.00	15/0.99	15/0.99	15/0.98	15/0.97	15/0.96
4 Ton	9.53 [3/8]	19.05 [3/4]	8/0.99	15/0.98	15/0.97	15/0.96	15/0.94	15/0.93
	12.7 [1/2]	19.05 [3/4]	8/0.99	15/0.98	15/0.97	15/0.96	15/0.94	15/0.93
	9.53 [3/8]	22.23 [7/8]	8/1.00	15/0.99	15/0.99	15/0.98	15/0.98	15/0.97
	12.7 [1/2]	22.23 [7/8]	8/1.00	15/0.99	15/0.99	15/0.98	15/0.98	15/0.97
5 Ton	9.53 [3/8]	19.05 [3/4]	8/0.99	15/0.97	15/0.95	15/0.93	15/0.91	NR
	12.7 [1/2]	19.05 [3/4]	8/0.99	15/0.97	15/0.95	15/0.93	15/0.91	NR
	9.53 [3/8]	22.23 [7/8]	8/1.00	15/0.99	15/0.98	15/0.98	15/0.97	12/0.96
	12.7 [1/2]	22.23 [7/8]	8/1.00	15/0.99	15/0.98	15/0.98	15/0.97	15/0.97

**NOTES:**

- 1) Do not exceed 46 meters linear line length.
- 2) \*Do not exceed 15 meters vertical separation between indoor and outdoor units.
- 3) \*\*19.05mm [3/4 in.] vapor line should only be used for 2 ton systems if outdoor unit is below or at same level as indoor unit to assure proper oil return.
- 4) Always use the smallest liquid line allowable to minimize refrigerant charge.
- 5) Applications shaded in light gray indicate capacity multipliers between 0.90 and 0.96 which are not recommended, but are allowed.
- 6) Applications shaded in dark gray are not recommended due to excessive liquid or suction pressure drop.

Additional Oil, Oz.											
Lineset Length	50	60	70	80	90	100	110	120	130	140	150
2T	N/A	N/A	N/A	N/A	N/A	1	2	3	5	6	7
3T	N/A	N/A	N/A	N/A	N/A	N/A	1	2	3	5	6
4T	N/A	N/A	N/A	N/A	N/A	N/A	N/A	N/A	N/A	N/A	N/A
5T	N/A	N/A	N/A	N/A	N/A	N/A	N/A	N/A	N/A	N/A	N/A

## Performance Data @ AHRI Standard Conditions – Cooling

Designated Tested Combination (DTC)							
Outdoor Unit	Air Handler	Total Capacity BTU/H [kW]	Net Sensible BTU/H [kW]	Net Latent BTU/H [kW]	SEER2	EER2	Indoor CFM [L/s]
WA15AZ24AJ3	RH3VZ2417STACN	22,800 [6.7]	17,600 [5.2]	5,200 [1.5]	15.2	9.8	750 [354.0]
WA15AZ36AJ3	RH3VZ3617STACN	34,200 [10.0]	26,600 [7.8]	7,600 [2.2]	15.2	9.8	1,125 [530.9]
WA15AZ48AJ3	RH3VZ4821STACN	45,500 [13.3]	35,500 [10.4]	10,000 [2.9]	15.2	9.8	1,425 [672.5]
WA15AZ60AJ3	RH3VZ6024STACN	55,500 [16.3]	43,000 [12.6]	12,500 [3.7]	15.2	9.8	1,675 [790.5]

**NOTE:** This data includes DTC (Designated Test Combination) ratings and is for reference purposes only. A full listing of official ratings and system match-ups, along with downloadable certificates, can be accessed from the AHRI website: [www.ahridirectory.org](http://www.ahridirectory.org).

[ ] Designates Metric Conversions



**GENERAL TERMS OF LIMITED WARRANTY\***

Ruud will furnish a replacement for any part of this product which fails in normal use and service within the applicable period stated, in accordance with the terms of the limited warranty.

**\*For complete details of the Limited and Conditional Warranties, including applicable terms and conditions, contact your local contractor or the Manufacturer for a copy of the product warranty certificate.**

Conditional Parts  
(Registration Required)..... Ten (10) Years

**Before proceeding with installation, refer to installation instructions packaged with each model, as well as complying with all Federal, State, Provincial, and Local codes, regulations, and practices.**

© 2025 Rheem Manufacturing Company. Ruud trademarks owned by Rheem Manufacturing Company.

*In keeping with its policy of continuous progress and product improvement, Ruud reserves the right to make changes without notice.*

5600 Old Greenwood Road  
Fort Smith, Arkansas 72908 • [www.ruud.com](http://www.ruud.com)

125 Edgeware Road, Unit 1  
Brampton, Ontario • L6Y 0P5 • [ruud-canada.ca](http://ruud-canada.ca)