



The new degree of comfort.™

# SUBMITTAL COVER SHEET

PROJECT NAME \_\_\_\_\_

LOCATION \_\_\_\_\_

ARCHITECT \_\_\_\_\_

ENGINEER \_\_\_\_\_

CONTRACTOR \_\_\_\_\_

SUBMITTED BY \_\_\_\_\_ DATE \_\_\_\_\_

## UNIT SUMMARY

Quantity						
Unit Designation						
Model No.						
Total Cooling						
Sensible Cooling						
Air Ent. Evaporator						
Air Lvg. Evaporator						
Heating Input						
Heating Output						
CFM/ESP						
EER/SEER						
Electrical						
Minimum Ampacity						
Min.-Max. Breaker						
Net Unit Weight						
Accessory						
Catalog Form Number						

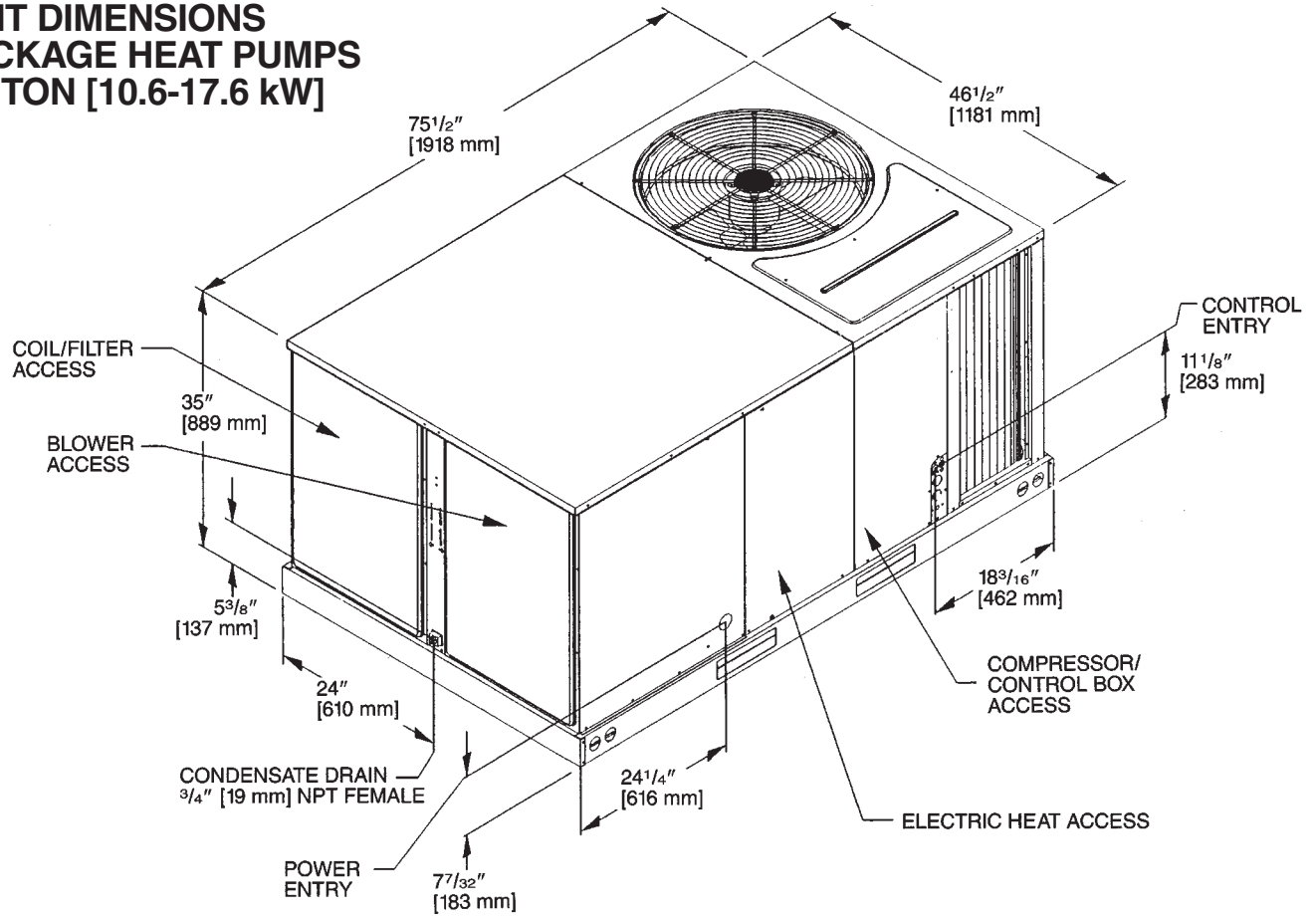
**ACCESSORIES:**

**NOTES:**

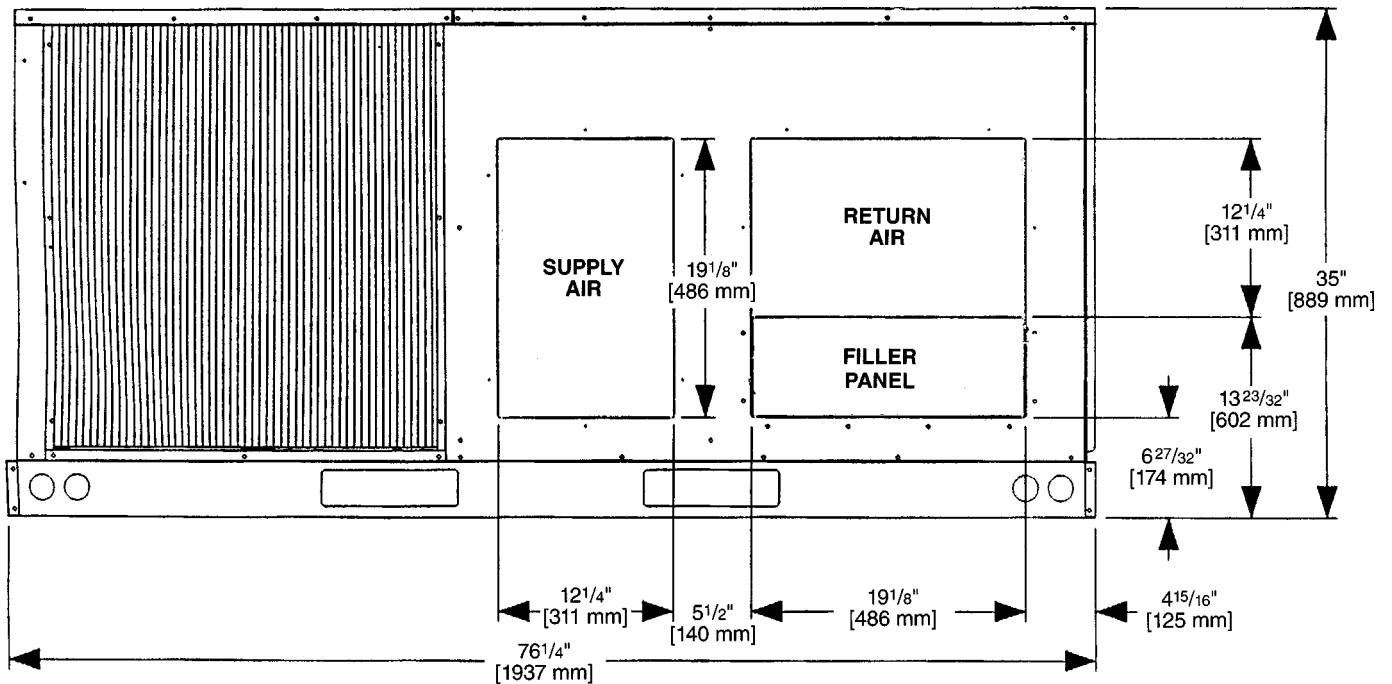




# UNIT DIMENSIONS PACKAGE HEAT PUMPS 3-5 TON [10.6-17.6 kW]

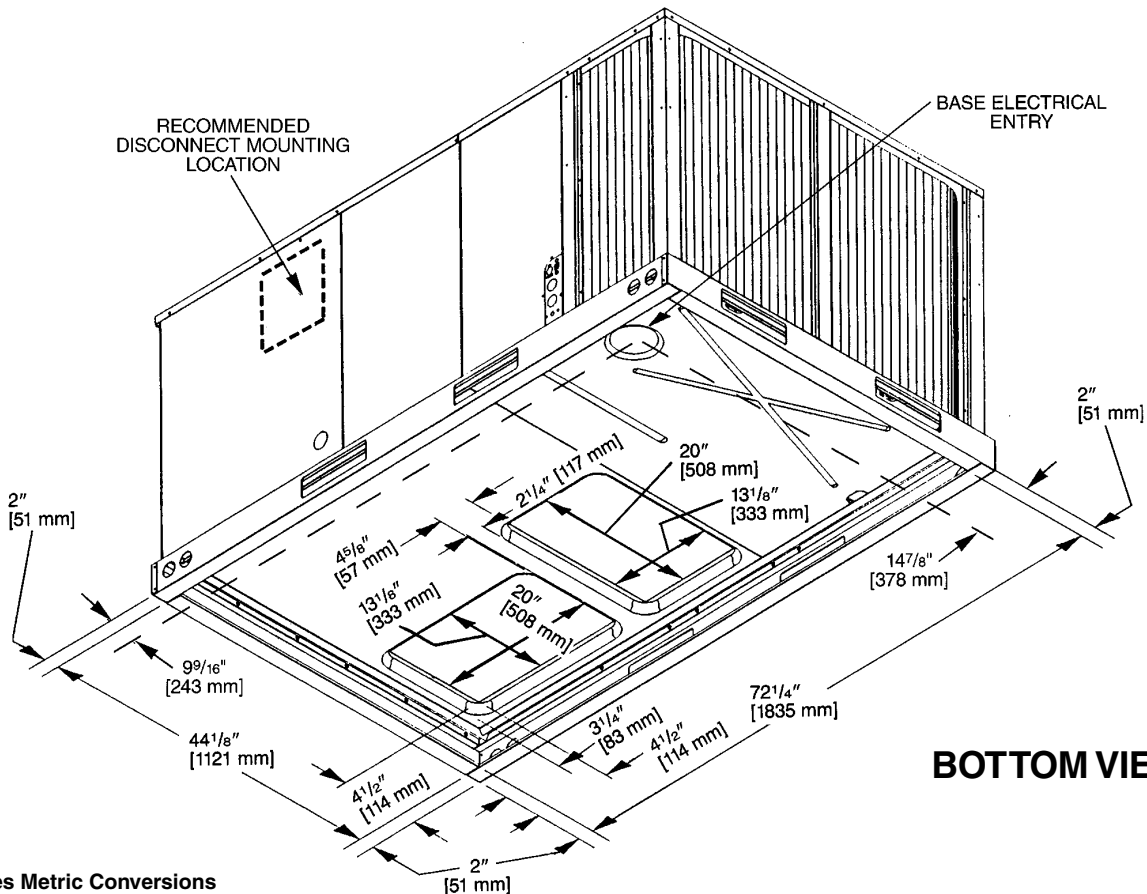
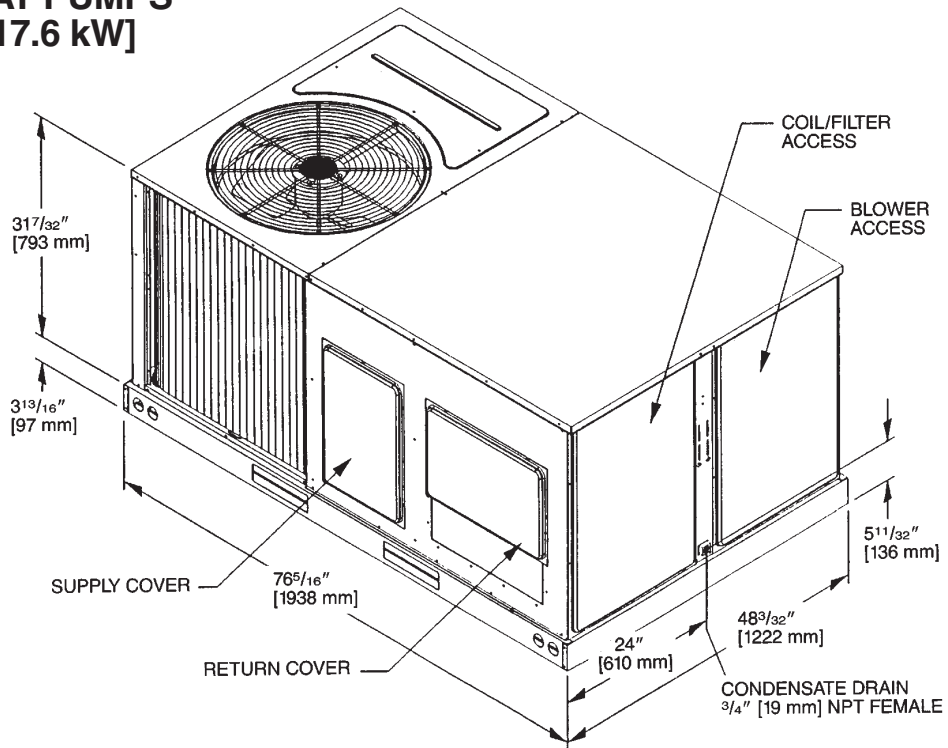


## SUPPLY AND RETURN DIMENSIONS



[ ] Designates Metric Conversions

# UNIT DIMENSIONS PACKAGE HEAT PUMPS 3-5 TON [10.6-17.6 kW]



**BOTTOM VIEW**

[ ] Designates Metric Conversions



**RJNL - A036, A042, A048, A060, A072**  
**RJPL - A036, A042, A048, A060**

## **STANDARD FEATURES INCLUDE:**

- R-410A HFC refrigerant.
- Complete factory charged, wired and run tested.
- Scroll compressors with internal line break overload and high-pressure protection.
- Single stage compressor on all models.
- Convertible airflow.
- TXV refrigerant metering system on each circuit.
- High Pressure protection standard on all models. Low Pressure/Loss of charge protection standard on 6 ton model.
- Solid Core liquid line filter drier on each circuit.
- Single slab, single pass designed evaporator coil facilitate easy cleaning for maintained high efficiencies.
- Cooling operation up to 125 degree F ambient.
- Easy access to filter, blower, electric heat, and compressor/control compartments permit prompt service.
- Powder Paint Finish meets ASTM B117 steel coated on each side for maximum protection. G90 galvanized.
- One piece top cover and one piece base pan with drawn supply and return opening for superior water management.
- Externally mounted refrigerant gauge ports for easy service diagnostics.
- Easy to install plug-in; slip in, 100% fully modulating economizer with barometric relief.
- Forkable base rails for easy handling and lifting.
- Single point electrical connection.
- Direct drive or high performance belt drive motor with variable pitch pulleys and quick adjust belt system.
- Permanently lubricated evaporator and condenser motors.
- Condenser motors are internally protected, totally enclosed with shaft down design.
- 1 inch filter standard with slide out design.
- Colored and labeled wiring.
- Copper tube/Aluminum Fin coils.
- Molded compressor plug.
- Supplemental electric heat provides 100% efficient heating.