



The new degree of comfort.®

PROJECT NAME _____

LOCATION _____

ARCHITECT _____

ENGINEER _____

CONTRACTOR _____

SUBMITTED BY _____ DATE _____

UNIT SUMMARY

Quantity						
Unit Designation						
Model No.						
Total Cooling						
Sensible Cooling						
Air Ent. Evaporator						
Air Lvg. Evaporator						
Heating Input						
Heating Output						
CFM/ESP						
EER/SEER						
Electrical						
Minimum Ampacity						
Min.-Max. Breaker						
Net Unit Weight						
Accessory						
Catalog Form Number						

ACCESSORIES:

NOTES:

Endeavor® Line RACBZR iR Packaged Air Conditioner

Cooling Efficiencies up to: 13.4 SEER2

Nominal Sizes: 2–5 Ton [7.03 kW–17.58 kW]

JOB NAME _____ LOCATION _____

CONTRACTOR _____ ORDER NO. _____

ENGINEER _____ UNIT MODEL NO. _____

SUBMITTED FOR APPROVAL RECORD COIL MODEL NO. _____

DATE _____ AIR HANDLER MODEL NO. _____

UNIT DATA

COOLING PERFORMANCE

TOTAL CAPACITY* MBH

SENSIBLE CAPACITY* MBH

OUTDOOR DESIGN TEMP. ... °F [°C] DB/WB

TOTAL SUPPLY AIR CFM [L/s]

TEMP. OF AIR ENTERING
EVAPORATOR COIL °F [°C] DB/WB

POWER INPUT REQUIREMENT kW

SEER/EER RATING
(*uses blower motor heat)

ELECTRIC HEAT PERFORMANCE

ELECTRIC HEAT CAPACITY kW

SUPPLY AIR BLOWER PERFORMANCE

TOTAL SUPPLY AIR CFM [L/s]

TOTAL RESISTANCE EXTERNAL
TO UNIT IWG

BLOWER SPEED RPM

POWER OUTPUT REQUIREMENT BHP

MOTOR RATING HP [W]

POWER INPUT REQUIREMENT kW

ELECTRICAL DATA

POWER SUPPLY / /

TOTAL UNIT AMPACITY AMPS

MINIMUM WIRE SIZE AWG

MAXIMUM OVERCURRENT DEVICE
FUSES HACR BREAKER AMPS

TOTAL UNIT WEIGHT

TOTAL OPERATING WEIGHT LBS [kg]
(including field-installed accessories)

CLEARANCES

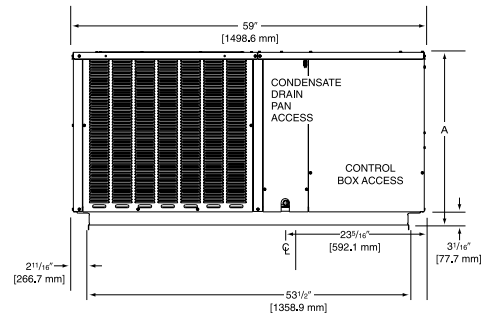
FRONT	48" [1219 mm]
CONDENSER COIL	18" [457 mm]
DUCT SIDE	12" [305 mm]
EVAPORATOR END	36" [914 mm]
ABOVE UNIT	60" [1524 mm]

UNIT DIMENSIONS FOR PACKAGE AIR CONDITIONERS 2 TO 5 TON [7.3 TO 17.6 kW] MODELS

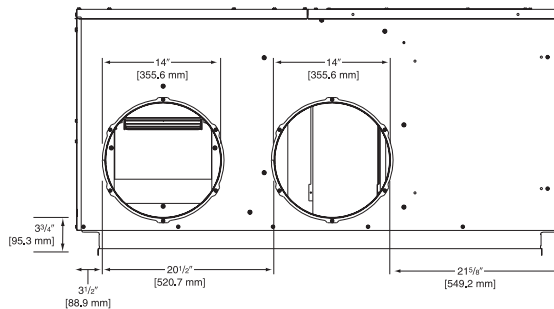
DIMENSIONS

Model	Height "A"
024, 030, 036, 042	29 1/8"
048, 060	37 1/8"

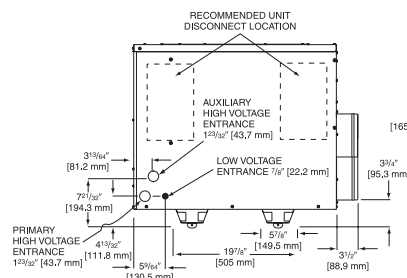
FRONT VIEW



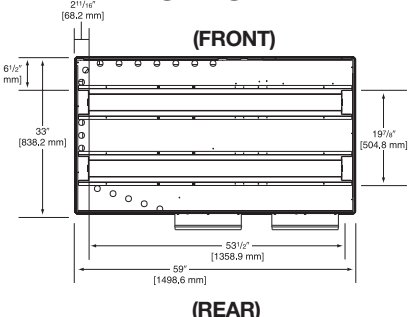
REAR VIEW



ELECTRICAL CONNECTIONS



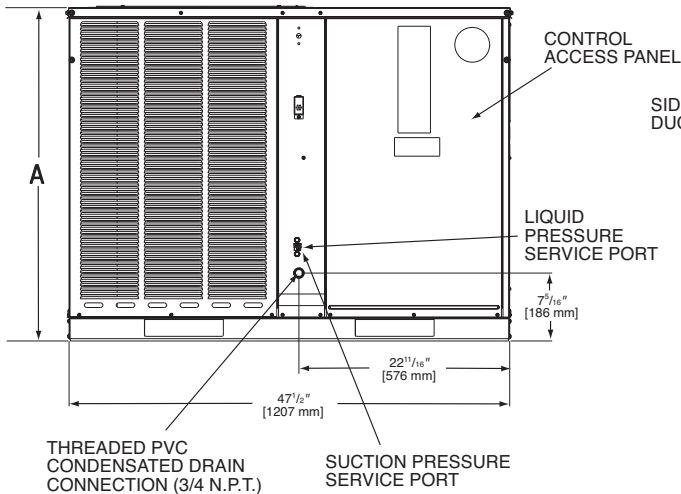
BOTTOM VIEW



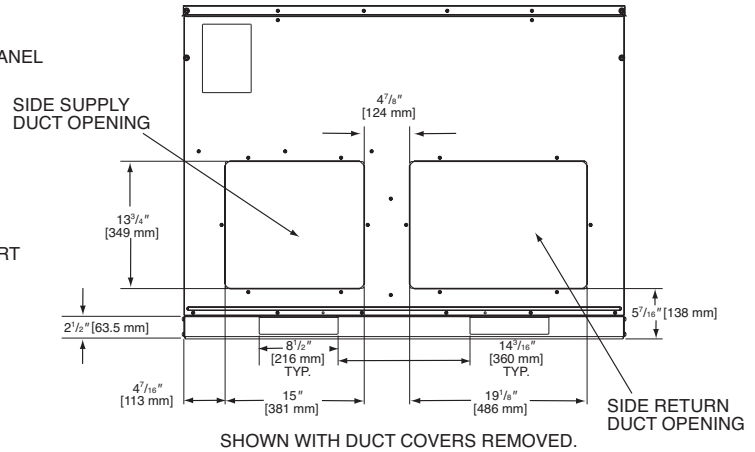
[] Designates Metric Conversions



FRONT VIEW



REAR VIEW



Model #	Height "A"
024, 030, 036, 042	35 15/16
048, 060	41

IMPORTANT:
Unit must be level to prevent water migration.

[] Designates Metric Conversions

FEATURES

Performance

- Micro-channel refrigerant system – uses up to 58% less refrigerant than other models for superior heat transfer capabilities and better performance

Installability

- Dedicated horizontal airflow¹
- Single-point wiring – simplifies installation
- Zero-clearance capability – makes space-constrained installations easy

¹RACBZR products are dedicated horizontal

Serviceability

- Copper refrigerant connections – create a reliable and familiar braze joint
- Control box mounted refrigerant gauge ports for “tool required” service access
- Slide-out blower – makes removal easier

Before proceeding with installation, refer to installation instructions packaged with each model, as well as complying with all Federal, State, Provincial, and Local codes, regulations, and practices.

5600 Old Greenwood Road
Fort Smith, Arkansas 72908

© 2023 Rheem Manufacturing Company. Rheem, Ruud and Friedrich trademarks owned by Rheem Manufacturing Company.

“In keeping with its policy of continuous progress and product improvement, Rheem reserves the right to make changes without notice.”