



Endeavor[®] Line Cased/Uncased Coils For Gas and Oil Furnaces



RCFY

Refrigerant Type: R-454B

Airflow Capacity: 600–1,900 CFM [283–897 L/s]

Table of Contents

Features and Benefits.....	3
Model Number Identification	4
Coil Specifications.....	5-6
Coil Dimensions and Weights.....	7
Accessories.....	8-9
Limited Warranty.....	10

Features and Benefits

- Ruud Indoor Furnace cased coils and replacement uncased coils are designed for use with Ruud outdoor units and are available for vertical upflow or downflow, and horizontal left or horizontal right airflow. When matched with Ruud outdoor units, the coils provide a nominal capacity range from 18,000 BTU/HR [5.24 kW] to 60,000 BTU/HR [17.6 kW]
- Constructed of aluminum fins bonded to internally grooved aluminum tubing
- Coils are tested at the factory with an extensive refrigerant leak check
- Coils have copper sweat refrigerant connections
- Feature two sets of 3/4" [19.1 mm] N.P.T. Condensate drain connections for ease of connection
- Chatleff metering device connections, at inlet and outlet of TXV or EXV and equalizer connections (TXV only)
- Approved for system application with variety of Ruud outdoor units
- Condensate drain pan is constructed of high grade, heat resistant, corrosion free thermal-set material
- Compatible with Germicidal Light System (UV resistant)
- Bi-Directional airflow eliminates the need to switch any internal components from horizontal left to right
- Unique drain pan design maximizes application flexibility and condensate removal
- N-Coil design maximizes performance and minimizes height required at installation
- Coils are AHRI certified for system application with a variety of Ruud outdoor units
- Designing for Sustainability with Low GWP: For 2025, the Environmental Protection Agency (EPA) has set a global warming potential (GWP) limit of 700 for refrigerant used in heating and cooling systems. This new requirement will result in a 78%¹ lower GWP than previous-generation refrigerants — with only minimal changes to system installation. For us, this is another step toward our continued sustainability goal of reducing greenhouse gas emissions, while still delivering an exceptional level of energy efficient, dependable comfort
- PlusOne® Refrigerant Detection System^{TM2}: An integrated one-box, patented design featuring the A2L sensor and mitigation board, offering easier commissioning with a single component and simplified wiring configuration, compatibility with any 24V thermostat application and system protection by automatically pausing outdoor unit operation — if excess refrigerant is detected

[] Designates Metric Conversions

¹When comparing the GWP of R-454B to R-410A refrigerant. ²Factory or field installed in the furnace coil or air handler and is applicable to the complete heating and cooling system featuring Low GWP Refrigerant (A2L).

Coils

<u>R</u>	<u>C</u>	<u>F</u>	<u>Y</u>	<u>24</u>	<u>14</u>	<u>S</u>	<u>T</u>	<u>A</u>	<u>A</u>	<u>M</u>	<u>C</u>	<u>L</u>
Brand	Product Category	Type	Refrigerant	Capacity	Width	Efficiency	Metering Device	Major Series	Coil Series	Orientation	Casing	Option Code
R - Ruud	C - Coil	F - Furnace Coil	Y - R-454B	24 - 24,000 BTU/H 36 - 36,000 BTU/H 42 - 42,000 BTU/H 48 - 48,000 BTU/H 60 - 60,000 BTU/H	14 - 14" 17 - 17.5" 21 - 21" 24 - 24.5"	S - Standard M - Medium H - High	T - TXV E - EXV	A - First B - 2nd	A - A-Coil N - N-Coil	M - Multipoise V - Vertical only/ Convertible	C - Cased U - Uncased	L - Less A2L Sensor BLANK - Factory- Installed Sensor

TXV Models	
RCFY2414STAAMC	RCFY2414STAAMCL
RCFY2417MTANMC	RCFY2417MTANMCL
RCFY2417STANMC	RCFY2417STANMCL
RCFY2421HTANMC	RCFY2421HTANMCL
RCFY2421MTANMC	RCFY2421MTANMCL
RCFY3617STANMC	RCFY3617STANMCL
RCFY3617STBAMC	RCFY3617STBAMCL
RCFY3621HTAAMC	RCFY3621HTAAMCL
RCFY3621MTAAMC	RCFY3621MTAAMCL
RCFY3621MTANMC	RCFY3621MTANMCL
RCFY3621STANMC	RCFY3621STANMCL
RCFY3624MTANMC	RCFY3624MTANMCL
RCFY4221HTAAMC	RCFY4221HTAAMCL
RCFY4221STAAMC	RCFY4221STAAMCL
RCFY4821HTAAMC	RCFY4821HTAAMCL
RCFY4821STAAMC	RCFY4821STAAMCL
RCFY4821STANMC	RCFY4821STANMCL
RCFY4824MTANMC	RCFY4824MTANMCL
RCFY4824STANMC	RCFY4824STANMCL
RCFY6021STAAMC	RCFY6021STAAMCL
RCFY6024HTANMC	RCFY6024HTANMCL
RCFY6024STANMC	RCFY6024STANMCL

Uncased TXV Models
RCFY2414STAAVU
RCFY2417MTANVU
RCFY2417STANVU
RCFY2421HTANVU
RCFY2421MTANVU
RCFY3617STANVU
RCFY3621HTAAVU
RCFY3621MTAAVU
RCFY3621MTANVU
RCFY3621STANVU
RCFY3624MTANVU
RCFY4221HTAAVU
RCFY4221STAAVU
RCFY4821HTAAVU
RCFY4821STAAVU
RCFY4821STANVU
RCFY4824MTANVU
RCFY4824STANVU
RCFY6021STAAVU
RCFY6024HTANVU
RCFY6024SEANVU
RCFY6024STANVU

EXV Models	
RCFY2417SEANMC	RCFY2417SEANMCL
RCFY2421HEAAMC	RCFY2421HEAAMCL
RCFY2421HEANMC	RCFY2421HEANMCL
RCFY2421MEANMC	RCFY2421MEANMCL
RCFY3621MEAAMC	RCFY3621MEAAMCL
RCFY3621MEANMC	RCFY3621MEANMCL
RCFY4821SEAAMC	RCFY4821SEAAMCL
RCFY6021SEAAMC	RCFY6021SEAAMCL
RCFY6024SEANMC	RCFY6024SEANMCL

Uncased EXV Models
RCFY2417SEANVU
RCFY2421HEAAVU
RCFY2421HEANVU
RCFY2421MEANVU
RCFY3621MEAAVU
RCFY3621MEANVU
RCFY4821SEAAVU
RCFY6021SEAAVU
RCFY6024SEANVU

Coil Specifications/Airflow Pressure Drop

Coil Model (-)CFY	Approx. Design Cooling Airflow Range CFM [L/s]	Face Area Sq. Ft. [m2]	Fins Per Inch/ Rows Deep	Width	Nominal Capacity		Wet Coil Static Pressure Drop (Inches W.C.) [kPa] @ CFM [L/s] – (Coil Only)													
							600 [283]	700 [330]	800 [378]	900 [425]	1000 [472]	1100 [519]	1200 [566]	1300 [614]	1400 [661]	1500 [708]	1600 [755]	1700 [802]	1800 [850]	1900 [897]
(-)CFY2414S*	525/900 [248/425]	4.56 [0.42]	16/2	14	1.5	-2	0.171 [42]	0.221 [55]	0.278 [69]	0.342 [85]	0.412 [103]	—	—	—	—	—	—	—	—	
(-)CFY2417S	525/900 [248/425]	4.56 [0.42]	16/2	17			0.115 [29]	0.150 [37]	0.189 [47]	0.232 [58]	0.279 [69]	—	—	—	—	—	—	—	—	—
(-)CFY2417M	525/900 [248/425]	5.70 [0.52]	16/2		2.5	-3	0.112 [28]	0.144 [36]	0.180 [45]	0.220 [55]	0.264 [66]	0.312 [78]	0.364 [91]	0.420 [105]	—	—	—	—	—	—
(-)CFY3617S	800/1200 [378/566]	5.70 [0.52]	16/2	0.112 [28]			0.144 [36]	0.180 [45]	0.220 [55]	0.264 [66]	0.312 [78]	0.364 [91]	0.420 [105]	0.480 [119]	—	—	—	—	—	—
(-)CFY2421M	525/900 [248/425]	5.70 [0.52]	16/2	21	1.5	-2	0.112 [28]	0.144 [36]	0.180 [45]	0.220 [55]	0.264 [66]	0.312 [78]	0.364 [91]	0.420 [105]	—	—	—	—	—	—
(-)CFY2421H	525/900 [248/425]	8.55 [0.79]	16/2				0.062 [15]	0.086 [21]	0.112 [28]	0.140 [35]	0.170 [42]	0.202 [50]	0.236 [59]	0.272 [68]	0.309 [77]	0.349 [87]	0.391 [97]	0.434 [108]	—	—
(-)CFY2421H*	525/900 [248/425]	7.60 [0.70]	13/3	2.5	-3	0.043 [11]	0.060 [15]	0.081 [20]	0.105 [26]	0.130 [32]	0.157 [39]	0.186 [46]	0.217 [54]	0.250 [62]	0.285 [71]	0.322 [80]	0.361 [90]	0.402 [100]	0.444 [111]	
(-)CFY3621S	800/1200 [378/566]	5.70 [0.52]	16/2			0.112 [28]	0.144 [36]	0.180 [45]	0.220 [55]	0.264 [66]	0.312 [78]	0.364 [91]	0.420 [105]	0.480 [119]	—	—	—	—	—	—
(-)CFY3621M	800/1300 [378/614]	8.55 [0.79]	16/2	3.5	-4	0.062 [15]	0.086 [21]	0.112 [28]	0.140 [35]	0.170 [42]	0.202 [50]	0.236 [59]	0.272 [68]	0.309 [77]	—	—	—	—	—	—
(-)CFY3621M*	800/1300 [378/614]	7.60 [0.70]	13/3			0.043 [11]	0.060 [15]	0.081 [20]	0.105 [26]	0.130 [32]	0.157 [39]	0.186 [46]	0.217 [54]	0.250 [62]	0.285 [71]	0.322 [80]	0.361 [90]	0.402 [100]	0.444 [111]	—
(-)CFY4821S	1200/1600 [566/755]	8.55 [0.79]	16/2	5	-4	0.062 [15]	0.086 [21]	0.112 [28]	0.140 [35]	0.170 [42]	0.202 [50]	0.236 [59]	0.272 [68]	0.309 [77]	0.349 [87]	0.391 [97]	0.434 [108]	0.480 [119]	—	—
(-)CFY4821S*	1200/1600 [566/755]	7.60 [0.70]	13/3			0.043 [11]	0.060 [15]	0.081 [20]	0.105 [26]	0.130 [32]	0.157 [39]	0.186 [46]	0.217 [54]	0.250 [62]	0.285 [71]	0.322 [80]	0.361 [90]	0.402 [100]	0.444 [111]	—
(-)CFY6021ST*	1400/1800 [661/850]	7.60 [0.70]	13/3	3 - 5	5	0.000 [0]	0.007 [2]	0.035 [9]	0.063 [16]	0.091 [23]	0.119 [30]	0.147 [37]	0.175 [44]	0.203 [50]	0.231 [57]	0.259 [64]	0.287 [71]	0.315 [78]	0.343 [85]	
(-)CFY6021SE*	1400/1600 [661/755]	7.60 [0.70]	13/3			0.043 [11]	0.060 [15]	0.081 [20]	0.105 [26]	0.130 [32]	0.157 [39]	0.186 [46]	0.217 [54]	0.250 [62]	0.285 [71]	0.322 [80]	0.361 [90]	0.402 [100]	0.444 [111]	—
(-)CFY3624M	800/1300 [378/614]	8.55 [0.79]	16/2	24	2.5	-3	0.062 [15]	0.086 [21]	0.112 [28]	0.140 [35]	0.170 [42]	0.202 [50]	0.236 [59]	0.272 [68]	0.309 [77]	—	—	—	—	—
(-)CFY4824S	1200/1600 [566/755]	8.55 [0.79]	16/2				3.5	-4	0.062 [15]	0.086 [21]	0.112 [28]	0.140 [35]	0.170 [42]	0.202 [50]	0.236 [59]	0.272 [68]	0.309 [77]	0.349 [87]	0.391 [97]	0.434 [108]
(-)CFY4824M	1200/1600 [566/755]	9.98 [0.93]	13/3	5	-4	0.032 [8]			0.049 [12]	0.069 [17]	0.091 [23]	0.114 [28]	0.140 [35]	0.167 [42]	0.197 [49]	0.228 [57]	0.262 [65]	0.297 [74]	0.334 [83]	0.374 [93]
(-)CFY6024S (-)CFY6024H	1400/1600 [661/755]	9.98 [0.93]	13/3			0.032 [8]	0.049 [12]	0.069 [17]	0.091 [23]	0.114 [28]	0.140 [35]	0.167 [42]	0.197 [49]	0.228 [57]	0.262 [65]	0.297 [74]	0.334 [83]	0.374 [93]	0.415 [103]	—
(-)CFY3621H* (-)CFY4221S* (-)CFY4221H*	800/1300 [378/614]	7.60 [0.70]	13/3	21	3	3.5	0.043 [11]	0.060 [15]	0.081 [20]	0.105 [26]	0.130 [32]	0.157 [39]	0.186 [46]	0.217 [54]	0.250 [62]	0.285 [71]	0.322 [80]	0.361 [90]	0.402 [100]	0.444 [111]
(-)CFY4821H*	1200/1600 [566/755]	7.60 [0.70]	13/3	21	3.5	4	0.043 [11]	0.060 [15]	0.081 [20]	0.105 [26]	0.130 [32]	0.157 [39]	0.186 [46]	0.217 [54]	0.250 [62]	0.285 [71]	0.322 [80]	0.361 [90]	0.402 [100]	—

[] Designates Metric Conversions

Coil Specifications/Airflow Pressure Drop (Con't.)

Coil Model (-)CFY	Approx. Design Cooling Airflow Range CFM [L/s]	Face Area Sq. Ft. [m2]	Fins Per Inch/ Rows Deep	Width	Nominal Capacity		Dry Coil Static Pressure Drop (Inches W.C.) [kPa] @ CFM [L/s] – (Coil Only)																
							600 [283]	700 [330]	800 [378]	900 [425]	1000 [472]	1100 [519]	1200 [566]	1300 [614]	1400 [661]	1500 [708]	1600 [755]	1700 [802]	1800 [850]	1900 [897]			
(-)CFY2414S*	600/1200 [283/566]	4.56 [0.42]	16/2	14			0.121 [30]	0.160 [40]	0.205 [51]	0.256 [64]	0.312 [78]	0.373 [93]	0.441 [110]	0.514 [128]	—	—	—	—	—	—			
(-)CFY2417S	600/1200 [283/566]	4.56 [0.42]	16/2	17	1.5	-2	0.097 [24]	0.128 [32]	0.163 [41]	0.202 [50]	0.245 [61]	0.292 [73]	0.343 [85]	0.398 [99]	—	—	—	—	—	—	—		
(-)CFY2417M	600/1200 [283/566]	5.70 [0.52]	17/16/2				0.107 [27]	0.137 [34]	0.171 [42]	0.209 [52]	0.251 [62]	—	—	—	—	—	—	—	—	—	—	—	—
(-)CFY3617S	600/1300 [283/614]	5.70 [0.52]	16/2		2.5	-3	0.107 [27]	0.137 [34]	0.171 [42]	0.209 [52]	0.251 [62]	0.297 [74]	0.347 [86]	0.401 [100]	—	—	—	—	—	—	—		
(-)CFY2421M	600/1200 [283/566]	5.70 [0.52]	16/2	21	1.5	-2	0.107 [27]	0.137 [34]	0.171 [42]	0.209 [52]	0.251 [62]	—	—	—	—	—	—	—	—	—	—		
(-)CFY2421H	600/1200 [283/566]	8.55 [0.79]	16/2				0.039 [10]	0.056 [14]	0.075 [19]	0.095 [24]	0.117 [29]	—	—	—	—	—	—	—	—	—	—	—	—
(-)CFY2421H*	600/1600 [283/755]	7.60 [0.70]	13/3				0.041 [10]	0.053 [13]	0.066 [16]	0.080 [20]	0.096 [24]	0.115 [29]	0.135 [34]	0.158 [39]	0.182 [45]	—	—	—	—	—	—	—	—
(-)CFY3621S	600/1400 [283/661]	5.70 [0.52]	16/2		2.5	-3	0.107 [27]	0.137 [34]	0.171 [42]	0.209 [52]	0.251 [62]	0.297 [74]	0.347 [86]	0.401 [100]	—	—	—	—	—	—	—	—	
(-)CFY3621M	600/1900 [283/897]	8.55 [0.79]	16/2				0.039 [10]	0.056 [14]	0.075 [19]	0.095 [24]	0.117 [29]	0.141 [35]	0.166 [41]	0.193 [48]	0.222 [55]	0.252 [63]	0.284 [71]	0.318 [79]	0.353 [88]	0.391 [97]	—	—	—
(-)CFY3621M*	600/1900 [283/897]	7.60 [0.70]	13/3				0.041 [10]	0.053 [13]	0.066 [16]	0.080 [20]	0.096 [24]	0.115 [29]	0.135 [34]	0.158 [39]	0.182 [45]	—	—	—	—	—	—	—	—
(-)CFY4821S	600/1900 [283/897]	8.55 [0.79]	16/2		3.5	-4	0.039 [10]	0.056 [14]	0.075 [19]	0.095 [24]	0.117 [29]	0.141 [35]	0.166 [41]	0.193 [48]	0.222 [55]	0.252 [63]	0.284 [71]	0.318 [79]	0.353 [88]	0.391 [97]	—	—	
(-)CFY4821S*	600/1900 [283/897]	7.60 [0.70]	13/3				0.041 [10]	0.053 [13]	0.066 [16]	0.080 [20]	0.096 [24]	0.115 [29]	0.135 [34]	0.158 [39]	0.182 [45]	0.208 [52]	0.237 [59]	0.267 [66]	0.299 [75]	0.334 [83]	—	—	—
(-)CFY6021ST*	600/1900 [283/897]	7.60 [0.70]	13/3		5			0.000 [0]	0.000 [0]	0.016 [4]	0.040 [10]	0.065 [16]	0.089 [22]	0.113 [28]	0.137 [34]	0.162 [40]	0.186 [46]	0.210 [52]	0.234 [58]	0.259 [64]	0.283 [70]	—	
(-)CFY6021SE*	600/1900 [283/897]	7.60 [0.70]	-13/3		3-	5		0.041 [10]	0.053 [13]	0.066 [16]	0.080 [20]	0.096 [24]	0.115 [29]	0.135 [34]	0.158 [39]	0.182 [45]	0.208 [52]	0.237 [59]	0.267 [66]	0.299 [75]	0.334 [83]	—	
(-)CFY3624M	600/1900 [283/897]	8.55 [0.79]	16/2		24	2.5	-3	0.039 [10]	0.056 [14]	0.075 [19]	0.095 [24]	0.117 [29]	0.141 [35]	0.166 [41]	0.193 [48]	0.222 [55]	0.252 [63]	0.284 [71]	0.318 [79]	0.353 [88]	0.391 [97]	—	
(-)CFY4824S	600/1900 [283/897]	8.55 [0.79]	16/2					3.5	-4	0.039 [10]	0.056 [14]	0.075 [19]	0.095 [24]	0.117 [29]	0.141 [35]	0.166 [41]	0.193 [48]	0.222 [55]	0.252 [63]	0.284 [71]	0.318 [79]	0.353 [88]	0.391 [97]
(-)CFY4824M	600/1900 [283/897]	9.98 [0.93]	13/3				0.023 [6]			0.038 [10]	0.055 [14]	0.074 [18]	0.095 [24]	0.119 [29]	0.144 [36]	0.171 [42]	0.200 [50]	0.231 [58]	0.264 [66]	0.300 [75]	0.337 [84]	0.376 [94]	—
(-)CFY6024S (-)CFY6024H	600/1900 [283/897]	9.98 [0.93]	13/3	5			0.023 [6]	0.038 [10]	0.055 [14]	0.074 [18]	0.095 [24]	0.119 [29]	0.144 [36]	0.171 [42]	0.200 [50]	0.231 [58]	0.264 [66]	0.300 [75]	0.337 [84]	0.376 [94]	—		
(-)CFY3621H* (-)CFY4221S* (-)CFY4221H*	600/1900 [283/897]	7.60 [0.70]	13/3	21	3	3.5	0.041 [10]	0.053 [13]	0.066 [16]	0.080 [20]	0.096 [24]	0.115 [29]	0.135 [34]	0.158 [39]	0.182 [45]	—	—	—	—	—	—		
(-)CFY4821H*	600/1900 [283/897]	7.60 [0.70]	13/3	21	3.5	4	0.041 [10]	0.053 [13]	0.066 [16]	0.080 [20]	0.096 [24]	0.115 [29]	0.135 [34]	0.158 [39]	0.182 [45]	0.208 [52]	0.237 [59]	0.267 [66]	0.299 [75]	0.334 [83]	—		

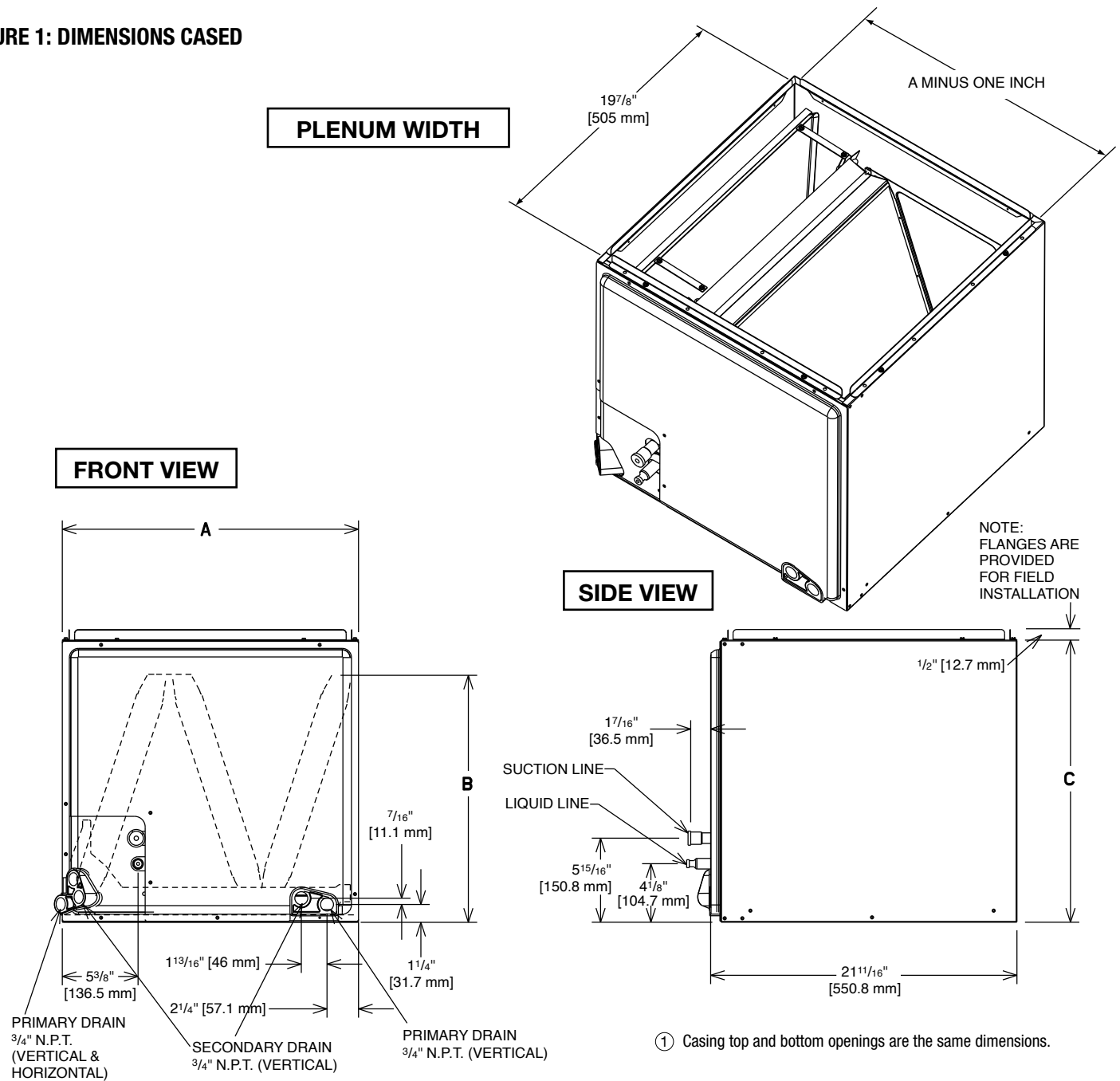
[] Designates Metric Conversions

Cased Coil Dimensions and Weights

Coil Model (-)CFY	Connections I.D.		Cased Coil Dimensions (in) [mm]			Weight	
	Sweat (in.) [mm]		A	B	C	Coil Weight (lbs.) [Kg.]	Shipping Weight (lbs.) [Kg.]
	Liquid	Suction					
2414S*	3/8 [9.53]	3/4 [19.05]	14 [356]	20 ¹ / ₁₆ [535]	23 ³ / ₁₆ [584]	45 [20]	49 [22]
2417S	3/8 [9.53]	3/4 [19.05]	17 ¹ / ₂ [445]	14 ¹ / ₂ [368]	20 [508]	43 [19]	48 [21]
2417M/3617S	3/8 [9.53]	3/4 [19.05]	17 ¹ / ₂ [445]	17 [454]	20 [508]	49 [22]	54 [24]
2421M/3621S	3/8 [9.53]	3/4 [19.05]	21 [533]	17 ¹ / ₂ [445]	20 [508]	51 [23]	57 [25]
2421H/3621M/4821S/2421H	3/8 [9.53]	7/8 [22.23]	21 [533]	25 [657]	28 [711]	71 [32]	78 [35]
3624M/4824S	3/8 [9.53]	7/8 [22.23]	24 ¹ / ₂ [622]	25 [645]	32 [812]	83 [38]	93 [42]
4824M/6024S/6024H	3/8 [9.53]	7/8 [22.23]	24 ¹ / ₂ [622]	30 ¹ / ₄ [768]	32 [812]	100 [45]	110 [50]
2421H*/3621M*/3621H*/4821S*/6021S*/4221S*/4221H*/4821H*	3/8 [9.53]	7/8 [22.23]	21 [533]	33 [838]	34 ¹ / ₂ [876]	76 [34]	86 [37]

* = "A" Coil

FIGURE 1: DIMENSIONS CASED



[] Designates Metric Conversions

Coil Application

Coils can be matched to heating products as listed in table below.

Coil Model (-)CFY	Furnace Width (In.) (mm)	
	Oil*	Gas
2414S 2417S/2417M/2517S 3617S/3717S	—	14 [356]
2417S/2417M/2517S 3617S/3717S	17 [431]	17½ [444] 14 [356]
2421M 2421H/3621S/3621M / 4821S/4921S/6021S	21 [533]	21 [533] 17½ [444]
3624M 4824S/4824M/6024S 6024H/6124S	24½ [622]	24½ [622] 21 [533]

*Due to the proximity of the drain pan to the high temperature oil furnace drum, horizontal left application is NOT permitted on all oil furnaces.

Accessories

• PLENUM ADAPTER ACCESSORY RXBA-AE

This plenum adapter accessory is for use with the 24½" wide cased indoor cooling and heat pump coils. This allows a 24½" wide cased coil to be installed on a 28" wide oil furnace. This is a field-installed accessory only.

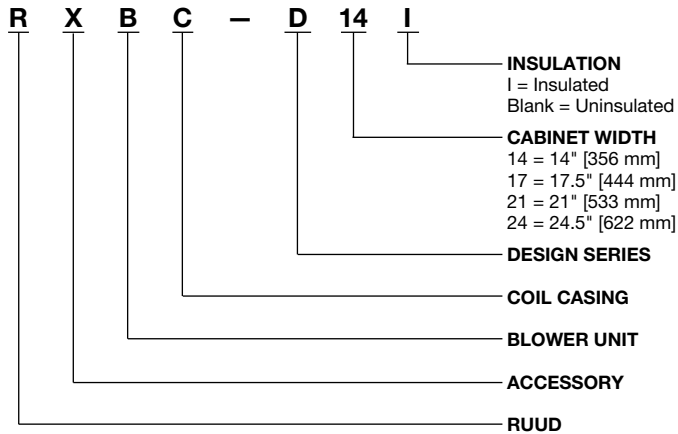
• RXBA-AC (Upflow/Horizontal)

These plenum adapter accessories are for use when a cooling coil is matched with a gas furnace of one smaller size.

• HORIZONTAL ADAPTER KIT RXHH (See Figure 2)

This horizontal adapter kit is used to convert a upflow or downflow coil (*VUA) for a horizontal application. See Table 4 to order the proper horizontal adapter kit.

• INDOOR COIL CASING- RXBC (See Table 5)



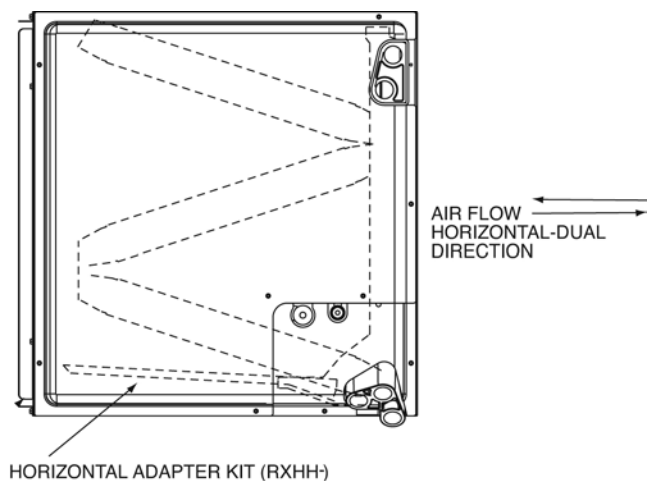
[] Designates Metric Conversions

Horizontal Adapter Kit

Coil Model	Horizontal Adapter Kit Model No.
(-)CFY2414STAAVU	RXHH-A01
(-)CFY2417STANVU	RXHH-A02
(-)CFY2417SEANVU	RXHH-A02
(-)CFY2517STANVU	RXHH-A02
(-)CFY2417MTANVU	RXHH-A03
(-)CFY2421MTANVU	RXHH-A03
(-)CFY2421MEANVU	RXHH-A03
(-)CFY2421HEANVU	RXHH-A04
(-)CFY2421HEAAVU	RXHH-A06
(-)CFY3617STANVU	RXHH-A03
(-)CFY3717STANVU	RXHH-A03
(-)CFY3621STANVU	RXHH-A03
(-)CFY3621SEANVU	RXHH-A03
(-)CFY3621MTANVU	RXHH-A04
(-)CFY3621MEANVU	RXHH-A04
(-)CFY3621MTAAVU	RXHH-A06
(-)CFY3621MEAAVU	RXHH-A06
(-)CFY3624MTANVU	RXHH-A04
(-)CFY4821STANVU	RXHH-A04
(-)CFY4921STANVU	RXHH-A04
(-)CFY4821STAAVU	RXHH-A06
(-)CFY4821SEAAVU	RXHH-A06
(-)CFY4821SEANVU	RXHH-A04
(-)CFY4824STANVU	RXHH-A04
(-)CFY4824MTANVU	RXHH-A05
(-)CFY4824SEANVU	RXHH-A04
(-)CFY6021STAAVU	RXHH-A06
(-)CFY6021SEAAVU	RXHH-A06
(-)CFY6024STANVU	RXHH-A05
(-)CFY6024SEANVU	RXHH-A05
(-)CFY6124STANVU	RXHH-A05

Accessories (Con't.)

FIGURE 2: HORIZONTAL ADAPTER KIT ILLUSTRATION



Unit Dimensions and Weights

RXBC Indoor Coil Casings

Model Number	Width (in.) [mm]	Height (in.) [mm]	Depth (in.) [mm]	Unit Weight		Supply Air/Return Air Openings	
				Weight (lbs.) [Kg.]	Ship. Wt. (lbs.) [Kg.]	Width (in.) [mm]	Depth (in.) [mm]
RXBC-D14AI	14 [356]	23 ³ / ₁₆ [589]	21 ⁵ / ₈ [549]	19 [9]	23 [10]	13 [330]	19 ³¹ / ₃₂ [508]
RXBC-D17AI	17 ¹ / ₂ [445]	20 [508]		18 [8]	23 [10]	16 ¹ / ₂ [419]	
RXBC-D21AI	21 [533]	20 [508]		20 [9]	26 [12]	20 [508]	
RXBC-D21BI	21 [533]	28 [711]		27 [12]	36 [17]	20 [508]	
RXBC-D24AI	24 ¹ / ₂ [622]	32 ¹ / ₂ [826]		34 [16]	44 [20]	23 ¹ / ₂ [597]	

Uncased Coil Adapter Kit

Uncased Coil Adapter Model Number RXBA	A Width (in.) [mm]	Uncased Coil Model RCFP
B14x20	13 ¹ / ₈ [333]	(-)CFZ2414
B17x20	16 ⁵ / ₈ [422]	(-)CFZ**17
B21x20	20 ¹ / ₈ [511]	(-)CFZ**21
B24x20	23 ⁵ / ₈ [599]	(-)CFZ**24

• UNCASED COIL ADAPTER KIT RXBA- (See Figure 3 & 4)

This uncased coil adapter kit is used to adapt the coil to a furnace or ductwork. See Table 6 to order the proper adapter kit. Each kit contains a quantity of 20 adapters.

FIGURE 3: UNCASED COIL ADAPTER KIT ILLUSTRATION

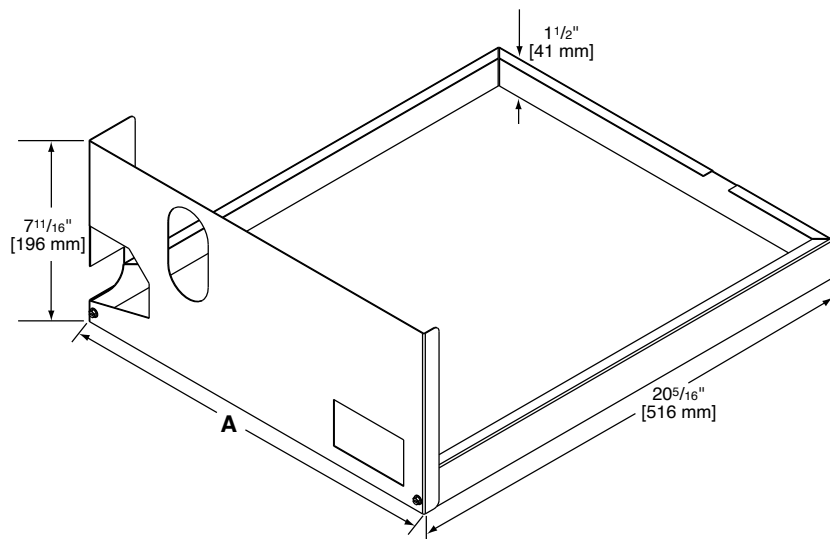
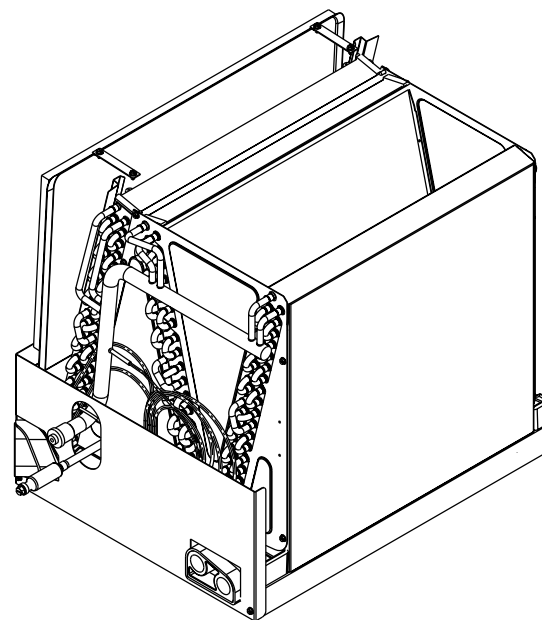


FIGURE 4: UNCASED COIL ADAPTER KIT ASSEMBLED



[] Designates Metric Conversions

NOTE: Sliding the coil into the coil rail before attaching coil rack front.



GENERAL TERMS OF LIMITED WARRANTY*

Ruud will furnish a replacement for any part of this product which fails in normal use and service within the applicable period stated, in accordance with the terms of the limited warranty.

***For complete details of the Limited and Conditional Warranties, including applicable terms and conditions, contact your local contractor or the Manufacturer for a copy of the product warranty certificate.**

Conditional Parts
(Registration Required)..... Ten (10) Years

Before proceeding with installation, refer to installation instructions packaged with each model, as well as complying with all Federal, State, Provincial, and Local codes, regulations, and practices.

© 2025 Rheem Manufacturing Company. Ruud trademarks owned by Rheem Manufacturing Company.

In keeping with its policy of continuous progress and product improvement, Ruud reserves the right to make changes without notice.

5600 Old Greenwood Road
Fort Smith, Arkansas 72908 • www.ruud.com

125 Edgeware Road, Unit 1
Brampton, Ontario • L6Y 0P5 • ruud-canada.ca