



SUBMITTAL COVER SHEET

PROJECT NAME _____

LOCATION _____

ARCHITECT _____

ENGINEER _____

CONTRACTOR _____

SUBMITTED BY _____ DATE _____

UNIT SUMMARY

Quantity						
Unit Designation						
Model No.						
Total Cooling						
Sensible Cooling						
Air Ent. Evaporator						
Air Lvg. Evaporator						
Heating Input						
Heating Output						
CFM/ESP						
EER/SEER						
Electrical						
Minimum Ampacity						
Min.-Max. Breaker						
Net Unit Weight						
Accessory						
Catalog Form Number						

ACCESSORIES:

NOTES:

SUBMITTAL SHEET FOR AIR HANDLER RF1T/RF1P SERIES EFFICIENCIES UP TO 16 SEER

JOB NAME _____ LOCATION _____
 CONTRACTOR _____ ORDER NO. _____
 ENGINEER _____ SUBMITTED FOR APPROVAL RECORD
 DATE _____ OUTDOOR UNIT MODEL NO. _____
 MODEL NO. _____ INDOOR COIL MODEL NO. _____

UNIT DATA

COOLING PERFORMANCE

TOTAL CAPACITY* MBH [kW]
 SENSIBLE CAPACITY* MBH [kW]
 OUTDOOR DESIGN TEMP. °F [°C] DB
 TOTAL SUPPLY AIR CFM [L/s]
 TEMP. OF AIR ENTERING
 EVAPORATOR COIL °F [°C] DB
 °F [°C] WB
 POWER INPUT REQUIREMENT kW
 (*uses blower motor heat)

HEATING PERFORMANCE

TOTAL CAPACITY* MBH [kW]
 OUTDOOR DESIGN TEMP. °F [°C] DB
 TEMP. OF AIR ENTERING
 EVAPORATOR COIL °F [°C] DB
 ELECTRIC HEAT CAPACITY kW
 POWER INPUT REQUIREMENT kW
 (*uses blower motor heat)

SUPPLY AIR BLOWER PERFORMANCE

TOTAL AIR SUPPLY CFM [L/s]
 TOTAL RESISTANCE EXTERNAL
 TO UNIT IWG
 BLOWER SPEED RPM
 POWER OUTPUT REQUIREMENT BHP
 MOTOR RATING HP [W]
 POWER INPUT REQUIREMENT kW

ELECTRICAL DATA

POWER SUPPLY Hz
 TOTAL UNIT AMPACITY AMPS
 MINIMUM WIRE SIZE AWG
 MAXIMUM OVERCURRENT DEVICE
 FUSES/HACR BREAKER AMPS

CLEARANCES

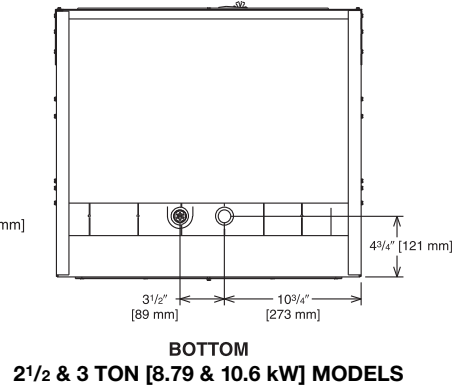
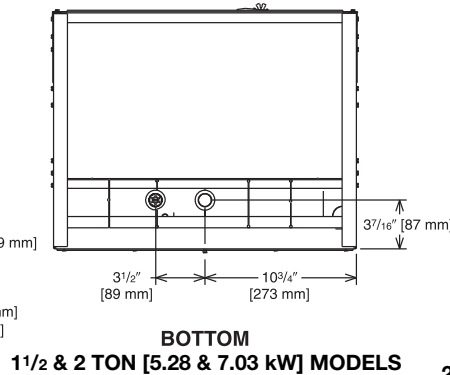
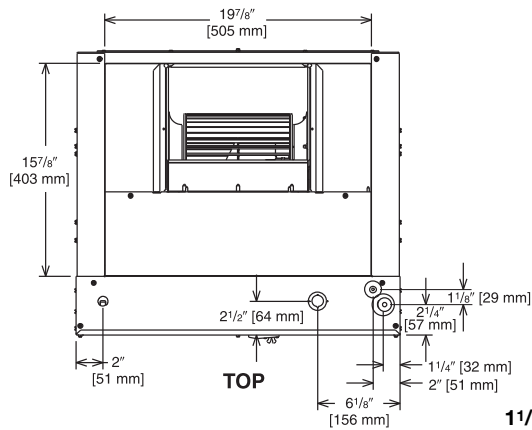
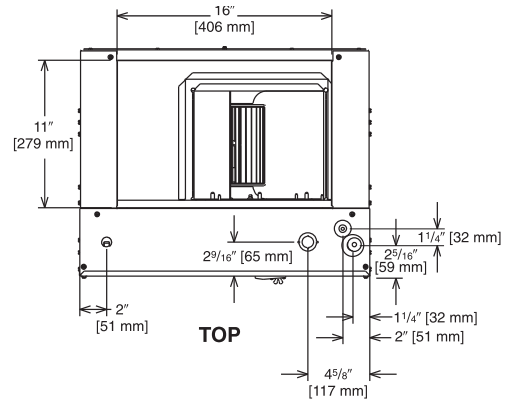
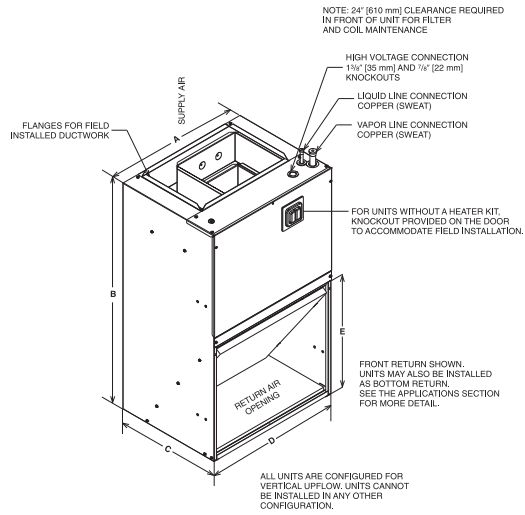
SERVICE ACCESS FRONT 24" [609.6 mm]

FEATURES FOR RF1T/RF1P AIR HANDLERS EFFICIENCIES UP TO 16 SEER

- The most compact unit design available, all standard heat air handler models only 36" [915 mm].
- Rugged wall steel cabinet construction, designed for added strength and versatility.
- 1.0" foil faced insulation for excellent thermal and sound performance.
- Four leg blower motor mount.
- Traditional open wire element design for heat applications.
- Indoor coil design provides low air side pressure drop, high performance and extremely compact size.
- Coils are constructed of aluminum fins and internally grooved aluminum tubing.
- Molded polymer corrosion resistant condensate drain pan is provided for all indoor coils.
- Connection point for high voltage wiring is inside the air handler cabinet. Low voltage connection is made on the outside of the air handler cabinet.
- Concentric knockouts are provided for power connection to cabinet. Installer may pull desired hole size up to 1 3/8 inch inches [35 mm] for 7/8 inch [22 mm] conduit.



Unit Dimensions



Model	(A) Unit Width In. [mm]	(B) Unit Height In. [mm]	(C) Unit Depth In. [mm]	(D) Return Air Opening Width In. [mm]	(E) Return Air Opening Height In. [mm]	Filter Size in. x in. x in. [mm x mm x mm]	Air Flow CFM (Nom.) [L/s]		Unit Weight/ Shipping Weight (Lbs.) [kg]
							Low	High	
							RF1P18	21 ¹ / ₂ [546.1]	
RF1P24	21 ¹ / ₂ [546.1]	36 [914.4]	17 [431.8]	20 [508]	17 ⁷ / ₁₆ [442.9]	20 X 20 X 1 [508 X 508 X 25.4]	800 [378]	—	80 [36] / 90 [41]
RF1P30	24 [609.6]	36 [914.4]	21 [533.4]	23 [584.2]	21 ³ / ₈ [542.9]	20 X 25 X 1 [508 X 635 X 25.4]	1000 [472]	—	95 [43] x 105 [48]
RF1P36	24 [609.6]	36 [914.4]	21 [533.4]	23 [584.2]	21 ³ / ₈ [542.9]	20 X 25 X 1 [508 X 635 X 25.4]	1200 [566]	—	95 [43] x 105 [48]
RF1T24	21 ¹ / ₂ [546.1]	36 [914.4]	17 [431.8]	20 [508]	17 ⁷ / ₁₆ [442.9]	20 X 20 X 1 [508 X 508 X 25.4]	600 [283]	800 [378]	95 [43] x 105 [48]
RF1T36	24 [609.6]	36 [914.4]	21 [533.4]	23 [584.2]	21 ³ / ₈ [542.9]	20 X 25 X 1 [508 X 635 X 25.4]	1000 [472]	1200 [566]	95 [43] x 105 [48]

[] Designates Metric Conversions

Before proceeding with installation, refer to installation instructions packaged with each model, as well as complying with all Federal, State, Provincial, and Local codes, regulations, and practices.

Sure Comfort® Heating and Cooling
P.O. Box 17010, Fort Smith, AR 72917

"In keeping with its policy of continuous progress and product improvement, Sure Comfort® reserves the right to make changes without notice."