



Smart POOL 18
Smart POOL 27

Sharing the Warmth™

Tankless Electric Pool Water Heater

Nobody wants a cold pool. The EcoSmart Smart Pool tankless series can provide 1° to 1.5°F temperature rise per hour for the on-demand pool and spa heating experience. Utilizing the latest flow sensor technology, functionality and reliability is increased. The digital thermostat control allows the user to set an exact temperature no matter what the ambient temperature. The EcoSmart Smart Pool tankless heaters are compact and easy to install for a new system or to replace an existing heater. EcoSmart is sharing the warmth in the home and in the pool.



endless
hot water



save
space



save
energy

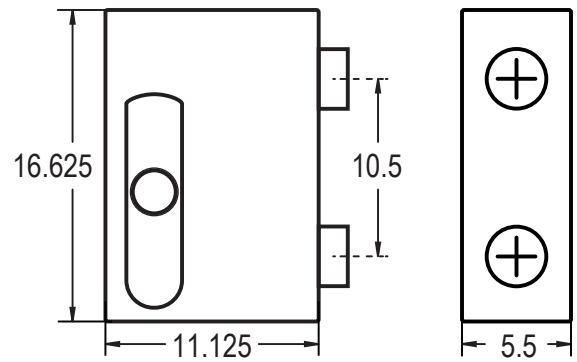
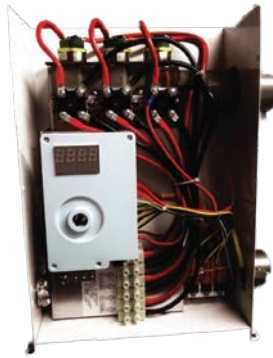


save
time



save
money

Smart POOL 18 Smart POOL 27

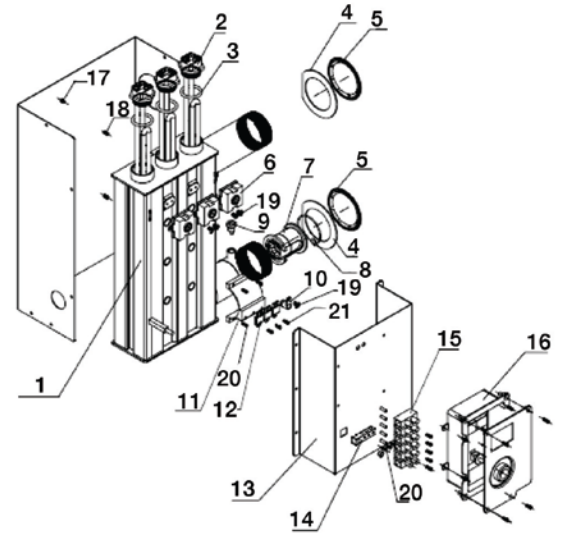


Product dimensions shown in inches.

SPECIFICATIONS

Model #	SMART POOL 18	SPART POOL 27
kW	18	27
Voltage	240	240
Phase	Single	Single
Element	(2) 9kW @ 240V	(3) 9kW @ 240V
Required Breaker	(2) 40 A	(3) 40 A
Max Power (AMP)	75	113
Required Wire	(2) 8 AWG	(3) 8 AWG
Water Connections	2"	2"
Dimensions	16.625" x 11.125" x 5.5"	17" x 17" X 3.625"
Weight	25 lbs	25 lbs
Activation Flow	12 GPM ± 2 GPM	12 GPM ± 2 GPM
Certification	UL-1261, ETL Listed	
Warranty	2 Year Limited	

PRODUCT PARTS



- 1. Heat Exchanger
- 2. Heating Elements
- 3. Gasket Rings
- 4. Inlet/Outlet Gasket
- 5. Inlet/Outlet Push Nut
- 6. Thermostats
- 7. Flow Sensor
- 8. Flow Sensor Snap Ring
- 9. Thermistor
- 10. Flow Sensor/Hall Effect
- 11. Triac Cooling Plate
- 12. Triac
- 13. Aluminum Bracket
- 14. Ground Terminal Block
- 15. Terminal Block
- 16. Circuit Board Case
- 17. Stainless Steel Screw M 4x12
- 18. Stainless Steel Screw M 4x10
- 19. Stainless Steel Screw M 4x6
- 20. Stainless Steel Screw M 4x10
- 21. Stainless Steel Screw M 4x8

TIME TO TEMPERATURE RISE

Table shows minutes to raise spa temperature by 5°F. For more information on how to calculate spa size in gallons and examples of other time to temperature rise, visit EcoSmartUS.com

POOL SIZE (GALLONS)

MODEL	1100	1200	1300	1400	1500
Smart POOL 18	7.5	8	8.75	9.5	10.25
Smart POOL 27	5	5.5	6	6.5	7

Minutes to raise temperature by 5°F. Times do not account for heat loss - actual heat up times may vary

"EcoSmart®" is member of the Eemax, Inc. family of brands. © 2019 Eemax, Inc. All rights reserved.

ecosmartus.com

Sharing the Warmth



ecosmart®
TANKLESS WATER HEATERS

EcoSmart, 400 Captain Neville Dr, Waterbury, CT 06705 USA
877-474-6473 | support@ecosmartus.com