



Packaged Gas Electric  
RGEAZR Series

## Ruud Achiever® Series iR Packaged Gas Electric Unit



### **RGEAZR**

Cooling Efficiency: 13.4 SEER2

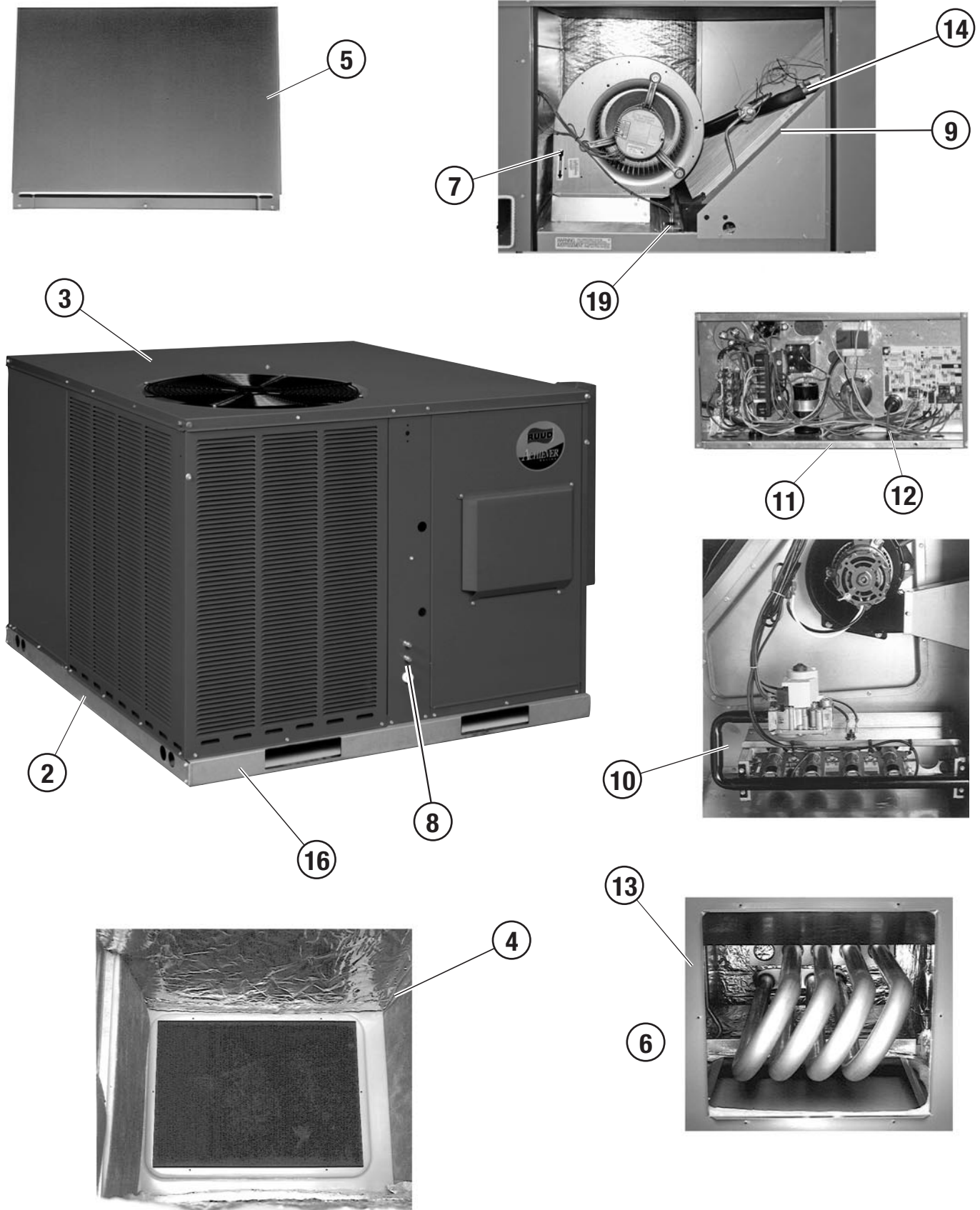
Nominal Sizes: 2-5 Tons [7.0-17.6 kW]



## TABLE OF CONTENTS

Unit Features & Benefits.....	3-4
Model Number Identification .....	5
Options .....	6
General Data .....	7-19
General Data Notes.....	20
Gross Systems Performance Data .....	21-30
Indoor Airflow Performance.....	31-50
Electrical Data .....	51-57
Dimensional Data .....	58-59
Typical Installations.....	60
Accessories.....	61-68
Limited Warranty.....	70

## Packaged Gas Electric Unit Features:





**RGEAZR  
Features Below  
Correspond  
to Photos on Page 3**

1. All models feature Scroll compressors for maximum efficiency and quiet operation.
2. Louvered condenser compartment for protecting the coil against yard hazards and/or weather extremes.
3. One-piece top with a drip flange to help keep water out of the unit.
4. Supply and return air openings feature a one-inch tall flange to prevent water migration into the ductwork.
5. Access panels have “weep holes” and channels to further help manage water run-off.
6. Side and down discharge options available on all models. All models are shipped ready for horizontal application.
7. Easily accessible blower section complete with slide-out blower.
8. Refrigerant connections are conveniently located for easy service diagnostics.
9. Micro Channel evaporator and condenser delivers superior performance with less refrigerant charge and less weight than conventional copper tube/aluminum fin coils. In addition the all aluminum construction has superior protection against formicary corrosion and aluminum tube rubbing potential. It is easier to clean and has a more robust surface.
10. Inside the easily accessible furnace compartment is the draft inducer motor. This motor is specially designed for quiet reliable operation. In addition to the draft inducer motor, the in-shot gas burners and manifold efficiently regulate the flow of gas for combustion. These gas/electric units also feature direct-spark ignition and remote flame sensors for added reliability and efficiency.
11. Easily accessible control box.
12. Single point wiring simplifies installation.
13. Our gas/electric package units feature a tubular heat exchanger design. The heat exchanger is backed by a 10 year limited warranty. Models with a stainless steel heat exchanger installed in a residential application are backed by a limited lifetime warranty.
14. Thermal expansion valve standard on all models for superior superheat control, reliability, and energy efficiency at all operating conditions.
15. Filter drier standard on all models (not shown).
16. Rugged baserail included for improved installation and handling
17. Complete factory charged, wired and run tested.
18. Molded compressor plugs.
19. A double sloped evaporator coil drain pan assures all water is removed from the unit to improve indoor air quality.

## Packaged Gas Electric Unit

<u>R</u>	<u>GE</u>	<u>A</u>	<u>Z</u>	<u>R</u>	<u>024</u>	<u>A</u>	<u>J</u>	<u>T</u>	<u>04</u>	<u>1</u>	<u>N</u>	<u>A</u>
Brand	Product Category	Platform	Refrigerant	Tier	Capacity BTU/HR	Major Series	Voltage	Drive	Gas Heat Input	Gas Heat Configuration	Control	Minor Series
R - Ruud	GE - Gas Electric	A - ResiPack Convertible	Z - R-410A	R - Base Tier (13.4 SEER2)	024 - 24,000 [7.03 kW] 030 - 30,000 [8.79 kW] 036 - 36,000 [10.55 kW] 042 - 42,000 [12.31 kW] 048 - 48,000 [14.07 kW] 060 - 60,000 [17.58 kW]	A - 1st Design	J - 1ph, 208-230/60 C - 3ph, 208-230/60 D - 3ph, 460/60	T - Constant Torque	04 - 40k BTU/h 06 - 60k BTU/h 08 - 80k BTU/h 10 - 100k BTU/h	1 - Single-Stage X - Single-Stage Low NOx U - Single-Stage Ultra Low NOx	N - Non-Communicating	A - 1st Design

[ ] Designates Metric Conversions

Available Models		
Standard	Low NOx (40ng/J)	Ultra Low NOx (14 ng/J)
RGEAZR024AJT041NA	RGEAZR024AJT04XNA	RGEAZR024AJT04UNA
RGEAZR024AJT061NA	RGEAZR024AJT06XNA	RGEAZR024AJT06UNA
RGEAZR024AJT081NA	RGEAZR024AJT08XNA	
RGEAZR030AJT041NA	RGEAZR030AJT04XNA	RGEAZR030AJT04UNA
RGEAZR030AJT061NA	RGEAZR030AJT06XNA	RGEAZR030AJT06UNA
RGEAZR030AJT081NA	RGEAZR030AJT08XNA	
RGEAZR036ACT061NA	RGEAZR036ACT06XNA	RGEAZR036ACT06UNA
RGEAZR036ACT081NA	RGEAZR036ACT08XNA	RGEAZR036ACT08UNA
RGEAZR036ACT101NA	RGEAZR036ACT10XNA	
RGEAZR036ADT061NA	RGEAZR036ADT06XNA	RGEAZR036ADT06UNA
RGEAZR036ADT081NA	RGEAZR036ADT08XNA	RGEAZR036ADT08UNA
RGEAZR036ADT101NA	RGEAZR036ADT10XNA	
RGEAZR036AJT061NA	RGEAZR036AJT06XNA	RGEAZR036AJT06UNA
RGEAZR036AJT081NA	RGEAZR036AJT08XNA	RGEAZR036AJT08UNA
RGEAZR036AJT101NA	RGEAZR036AJT10XNA	
RGEAZR042ACT081NA	RGEAZR042ACT08XNA	RGEAZR042ACT08UNA
RGEAZR042ACT101NA	RGEAZR042ACT10XNA	
RGEAZR042AJT081NA	RGEAZR042AJT08XNA	RGEAZR042AJT08UNA
RGEAZR042AJT101NA	RGEAZR042AJT10XNA	
<b>RGEAZR048ACT081NA</b>	<b>RGEAZR048ACT08XNA</b>	<b>RGEAZR048ACT08UNA</b>
<b>RGEAZR048ACT101NA</b>	<b>RGEAZR048ACT10XNA</b>	<b>RGEAZR048ACT10UNA</b>
<b>RGEAZR048ADT081NA</b>	<b>RGEAZR048ADT08XNA</b>	
<b>RGEAZR048ADT101NA</b>	<b>RGEAZR048ADT10XNA</b>	<b>RGEAZR048ADT10UNA</b>
<b>RGEAZR048AJT081NA</b>	<b>RGEAZR048AJT08XNA</b>	<b>RGEAZR048AJT08UNA</b>
<b>RGEAZR048AJT101NA</b>	<b>RGEAZR048AJT10XNA</b>	<b>RGEAZR048AJT10UNA</b>
<b>RGEAZR060ACT081NA</b>	<b>RGEAZR060ACT08XNA</b>	
<b>RGEAZR060ACT101NA</b>	<b>RGEAZR060ACT10XNA</b>	<b>RGEAZR060ACT10UNA</b>
<b>RGEAZR060ADT081NA</b>	<b>RGEAZR060ADT08XNA</b>	
<b>RGEAZR060ADT101NA</b>	<b>RGEAZR060ADT10XNA</b>	<b>RGEAZR060ADT10UNA</b>
<b>RGEAZR060AJT081NA</b>	<b>RGEAZR060AJT08XNA</b>	
<b>RGEAZR060AJT101NA</b>	<b>RGEAZR060AJT10XNA</b>	<b>RGEAZR060AJT10UNA</b>

NOTE: **Bold** represents 2-stage cooling models.

## Instructions for Factory Installed Option(s) Selection

**Note:** Three characters following the model number will be utilized to designate a factory-installed option or combination of options. If no factory option(s) is required, nothing follows the model number.

After a basic rooftop model is selected, choose a *three-character* option code from the FACTORY INSTALLED OPTION SELECTION TABLE.

### FACTORY INSTALLED OPTION CODES

Option Code	Stainless Steel Heat Exchanger
AJA	X

"X" indicates factory installed option.

Example: No Option

RGEAZR036AJT081NA

Example: Option with Stainless Steel Heat Exchanger

RGEAZR036AJT081NAAJA

Notes: ULN models standard with Stainless Steel Heat Exchanger

Factory installed economizer is not available.

## NOMINAL SIZES 2-5 TONS [7.0-17.6 kW]

Model RGEAZR Series	024AJT041/X	024AJT04U	024AJT061/X	024AJT06U
<b>Cooling Performance<sup>1</sup></b>				<b>CONTINUED</b> →
Gross Cooling Capacity Btu [kW]	23,600 [6.91]	23,600 [6.91]	23,600 [6.91]	23,600 [6.91]
EER2/SEER2 <sup>2</sup>	10.6/13.4	10.6/13.4	10.6/13.4	10.6/13.4
EER/SEER <sup>2</sup>	-	-	-	-
Nominal CFM/AHRI Rated CFM [L/s]	800/810 [378/382]	800/810 [378/382]	800/810 [378/382]	800/810 [378/382]
AHRI Net Cooling Capacity Btu [kW]	23,000 [6.74]	23,000 [6.74]	23,000 [6.74]	23,000 [6.74]
Net Sensible Capacity Btu [kW]	16,700 [4.89]	16,700 [4.89]	16,700 [4.89]	16,700 [4.89]
Net Latent Capacity Btu [kW]	6,300 [1.85]	6,300 [1.85]	6,300 [1.85]	6,300 [1.85]
Net System Power kW	2.04	2.04	2.04	2.04
<b>Heating Performance (Gas)<sup>4</sup></b>				
Heating Input Btu [kW]	40,000 [11.72]	40,000 [11.72]	60,000 [17.58]	60,000 [17.58]
Heating Output Btu [kW]	32,000 [9.38]	32,800 [9.61]	48,000 [14.06]	49,200 [14.42]
Temperature Rise Range °F [°C]	25-55 [13.9-30.6]	30-60 [16.7-33.3]	40-70 [22.2-38.9]	40-70 [22.2-38.9]
AFUE %	81	81	81	81
Steady State Efficiency (%)	82	82	82	82
No. Burners	2	1	3	1
No. Stages	1	1	1	1
Gas Connection Pipe Size in. [mm]	0.5 [12.7]	0.5 [12.7]	0.5 [12.7]	0.5 [12.7]
<b>Compressor</b>				
No./Type	1/Scroll	1/Scroll	1/Scroll	1/Scroll
<b>Outdoor Sound Rating (dB)<sup>5</sup></b>	77	77	77	77
<b>Outdoor Coil - Fin Type</b>	Louvered	Louvered	Louvered	Louvered
Tube Type	MicroChannel	MicroChannel	MicroChannel	MicroChannel
MicroChannel Depth in. [mm]	0.472 [12]	0.472 [12]	0.472 [12]	0.472 [12]
Face Area sq. ft. [sq. m]	7.19 [0.67]	7.19 [0.67]	7.19 [0.67]	7.19 [0.67]
Rows / FPI [FPcm]	1 / 23 [9]	1 / 23 [9]	1 / 23 [9]	1 / 23 [9]
<b>Indoor Coil - Fin Type</b>	Louvered	Louvered	Louvered	Louvered
Tube Type	MicroChannel	MicroChannel	MicroChannel	MicroChannel
MicroChannel Depth in. [mm]	1 [25.4]	1 [25.4]	1 [25.4]	1 [25.4]
Face Area sq. ft. [sq. m]	3.54 [0.33]	3.54 [0.33]	3.54 [0.33]	3.54 [0.33]
Rows / FPI [FPcm]	1 / 20 [8]	1 / 20 [8]	1 / 20 [8]	1 / 20 [8]
Refrigerant Control	TX Valves	TX Valves	TX Valves	TX Valves
Drain Connection No./Size in. [mm]	1/0.75 [19.05]	1/0.75 [19.05]	1/0.75 [19.05]	1/0.75 [19.05]
<b>Outdoor Fan - Type</b>	Propeller	Propeller	Propeller	Propeller
No. Used/Diameter in. [mm]	1/22 [558.8]	1/22 [558.8]	1/22 [558.8]	1/22 [558.8]
Drive Type/No. Speeds	Direct/1	Direct/1	Direct/1	Direct/1
CFM [L/s]	2500 [1180]	2500 [1180]	2500 [1180]	2500 [1180]
No. Motors/HP	1 at 1/3 HP	1 at 1/3 HP	1 at 1/3 HP	1 at 1/3 HP
Motor RPM	825	825	825	825
<b>Indoor Fan - Type</b>	FC Centrifugal	FC Centrifugal	FC Centrifugal	FC Centrifugal
No. Used/Diameter in. [mm]	1/10x9 [254x229]	1/10x9 [254x229]	1/10x9 [254x229]	1/10x9 [254x229]
Drive Type	Direct	Direct	Direct	Direct
No. Speeds	Multiple	Multiple	Multiple	Multiple
No. Motors	1	1	1	1
Motor HP	1/3	1/3	1/3	1/3
Motor RPM	1050	1050	1050	1050
Motor Frame Size	48	48	48	48
<b>Filter - Type</b>	Field Supplied	Field Supplied	Field Supplied	Field Supplied
Furnished	No	No	No	No
(NO.) Size Recommended in. [mm x mm x mm]	(1)1x24x24 [25x610x610]	(1)1x24x24 [25x610x610]	(1)1x24x24 [25x610x610]	(1)1x24x24 [25x610x610]
<b>Refrigerant Charge Oz. [g]</b>	45.6 [1293]	45.6 [1293]	45.6 [1293]	45.6 [1293]
<b>Weights</b>				
Net Weight lbs. [kg]	384 [174]	384 [174]	389 [176]	389 [176]
Ship Weight lbs. [kg]	392 [178]	392 [178]	397 [180]	397 [180]

See Page 20 for Notes.

[ ] Designates Metric Conversions

## NOMINAL SIZES 2-5 TONS [7.0-17.6 kW]

Model RGEAZR Series	024AJT081/X	030AJT041/X	030AJT04U	030AJT061/X
<b>Cooling Performance<sup>1</sup></b>				<b>CONTINUED</b> →
Gross Cooling Capacity Btu [kW]	23,600 [6.91]	29,400 [8.61]	29,400 [8.61]	29,400 [8.61]
EER2/SEER2 <sup>2</sup>	10.6/13.4	10.6/13.4	10.6/13.4	10.6/13.4
EER/SEER <sup>2</sup>	-	-	-	-
Nominal CFM/AHRI Rated CFM [L/s]	800/810 [378/382]	1000/980 [472/462]	1000/980 [472/462]	1000/980 [472/462]
AHRI Net Cooling Capacity Btu [kW]	23,000 [6.74]	28,400 [8.32]	28,400 [8.32]	28,400 [8.32]
Net Sensible Capacity Btu [kW]	16,700 [4.89]	21,100 [6.18]	21,100 [6.18]	21,100 [6.18]
Net Latent Capacity Btu [kW]	6,300 [1.85]	7,300 [2.14]	7,300 [2.14]	7,300 [2.14]
Net System Power kW	2.04	2.49	2.49	2.49
<b>Heating Performance (Gas)<sup>4</sup></b>				
Heating Input Btu [kW]	80,000 [23.44]	40,000 [11.72]	40,000 [11.72]	60,000 [17.58]
Heating Output Btu [kW]	65,000 [19.04]	32,000 [9.38]	32,800 [9.61]	48,000 [14.06]
Temperature Rise Range °F [°C]	35-65 [19.4-36.1]	25-55 [13.9-30.6]	30-60 [16.7-33.3]	40-70 [22.2-38.9]
AFUE %	81	81	81	81
Steady State Efficiency (%)	82	82	82	82
No. Burners	4	2	1	3
No. Stages	1	1	1	1
Gas Connection Pipe Size in. [mm]	0.5 [12.7]	0.5 [12.7]	0.5 [12.7]	0.5 [12.7]
<b>Compressor</b>				
No./Type	1/Scroll	1/Scroll	1/Scroll	1/Scroll
<b>Outdoor Sound Rating (dB)<sup>5</sup></b>	77	79	79	79
<b>Outdoor Coil - Fin Type</b>	Louvered	Louvered	Louvered	Louvered
Tube Type	MicroChannel	MicroChannel	MicroChannel	MicroChannel
MicroChannel Depth in. [mm]	0.472 [12]	0.709 [18]	0.709 [18]	0.709 [18]
Face Area sq. ft. [sq. m]	7.19 [0.67]	7.06 [0.66]	7.06 [0.66]	7.06 [0.66]
Rows / FPI [FPcm]	1 / 23 [9]	1 / 23 [9]	1 / 23 [9]	1 / 23 [9]
<b>Indoor Coil - Fin Type</b>	Louvered	Louvered	Louvered	Louvered
Tube Type	MicroChannel	MicroChannel	MicroChannel	MicroChannel
MicroChannel Depth in. [mm]	1 [25.4]	1 [25.4]	1 [25.4]	1 [25.4]
Face Area sq. ft. [sq. m]	3.54 [0.33]	3.54 [0.33]	3.54 [0.33]	3.54 [0.33]
Rows / FPI [FPcm]	1 / 20 [8]	1 / 20 [8]	1 / 20 [8]	1 / 20 [8]
Refrigerant Control	TX Valves	TX Valves	TX Valves	TX Valves
Drain Connection No./Size in. [mm]	1/0.75 [19.05]	1/0.75 [19.05]	1/0.75 [19.05]	1/0.75 [19.05]
<b>Outdoor Fan - Type</b>	Propeller	Propeller	Propeller	Propeller
No. Used/Diameter in. [mm]	1/22 [558.8]	1/22 [558.8]	1/22 [558.8]	1/22 [558.8]
Drive Type/No. Speeds	Direct/1	Direct/1	Direct/1	Direct/1
CFM [L/s]	2500 [1180]	2400 [1133]	2400 [1133]	2400 [1133]
No. Motors/HP	1 at 1/3 HP	1 at 1/3 HP	1 at 1/3 HP	1 at 1/3 HP
Motor RPM	825	825	825	825
<b>Indoor Fan - Type</b>	FC Centrifugal	FC Centrifugal	FC Centrifugal	FC Centrifugal
No. Used/Diameter in. [mm]	1/10x9 [254x229]	1/10x9 [254x229]	1/10x9 [254x229]	1/10x9 [254x229]
Drive Type	Direct	Direct	Direct	Direct
No. Speeds	Multiple	Multiple	Multiple	Multiple
No. Motors	1	1	1	1
Motor HP	1/3	1/2	1/2	1/2
Motor RPM	1050	1050	1050	1050
Motor Frame Size	48	48	48	48
<b>Filter - Type</b>	Field Supplied	Field Supplied	Field Supplied	Field Supplied
Furnished	No	No	No	No
(NO.) Size Recommended in. [mm x mm x mm]	(1)1x24x24 [25x610x610]	(1)1x24x24 [25x610x610]	(1)1x24x24 [25x610x610]	(1)1x24x24 [25x610x610]
<b>Refrigerant Charge Oz. [g]</b>	45.6 [1293]	48 [1361]	48 [1361]	48 [1361]
<b>Weights</b>				
Net Weight lbs. [kg]	394 [179]	384 [174]	384 [174]	389 [176]
Ship Weight lbs. [kg]	402 [182]	392 [178]	392 [178]	397 [180]

See Page 20 for Notes.

[ ] Designates Metric Conversions



## NOMINAL SIZES 2-5 TONS [7.0-17.6 kW]

Model RGEAZR Series	030AJT06U	030AJT081/X	036ACT061/X	036ACT06U
<b>Cooling Performance<sup>1</sup></b>				<b>CONTINUED</b> →
Gross Cooling Capacity Btu [kW]	29,400 [8.61]	29,400 [8.61]	35,200 [10.31]	35,200 [10.31]
EER2/SEER2 <sup>2</sup>	10.6/13.4	10.6/13.4	10.6/13.4	10.6/13.4
EER/SEER <sup>2</sup>	–	–	11/14	11/14
Nominal CFM/AHRI Rated CFM [L/s]	1000/980 [472/462]	1000/980 [472/462]	1200/1180 [566/557]	1200/1180 [566/557]
AHRI Net Cooling Capacity Btu [kW]	28,400 [8.32]	28,400 [8.32]	34,200 [10.02]	34,200 [10.02]
Net Sensible Capacity Btu [kW]	21,100 [6.18]	21,100 [6.18]	25,100 [7.35]	25,100 [7.35]
Net Latent Capacity Btu [kW]	7,300 [2.14]	7,300 [2.14]	9,100 [2.67]	9,100 [2.67]
Net System Power kW	2.49	2.49	2.81	2.81
<b>Heating Performance (Gas)<sup>4</sup></b>				
Heating Input Btu [kW]	60,000 [17.58]	80,000 [23.44]	60,000 [17.58]	60,000 [17.58]
Heating Output Btu [kW]	49,200 [14.42]	65,000 [19.04]	48,000 [14.06]	49,200 [14.42]
Temperature Rise Range °F [°C]	40-70 [22.2-38.9]	35-65 [19.4-36.1]	40-70 [22.2-38.9]	40-70 [22.2-38.9]
AFUE %	81	81	81	81
Steady State Efficiency (%)	82	82	82	82
No. Burners	1	4	3	1
No. Stages	1	1	1	1
Gas Connection Pipe Size in. [mm]	0.5 [12.7]	0.5 [12.7]	0.5 [12.7]	0.5 [12.7]
<b>Compressor</b>				
No./Type	1/Scroll	1/Scroll	1/Scroll	1/Scroll
<b>Outdoor Sound Rating (dB)<sup>5</sup></b>	79	79	75	75
<b>Outdoor Coil - Fin Type</b>	Louvered	Louvered	Louvered	Louvered
Tube Type	MicroChannel	MicroChannel	MicroChannel	MicroChannel
MicroChannel Depth in. [mm]	0.709 [18]	0.709 [18]	0.709 [18]	0.709 [18]
Face Area sq. ft. [sq. m]	7.06 [0.66]	7.06 [0.66]	9.78 [0.91]	9.78 [0.91]
Rows / FPI [FPcm]	1 / 23 [9]	1 / 23 [9]	1 / 23 [9]	1 / 23 [9]
<b>Indoor Coil - Fin Type</b>	Louvered	Louvered	Louvered	Louvered
Tube Type	MicroChannel	MicroChannel	MicroChannel	MicroChannel
MicroChannel Depth in. [mm]	1 [25.4]	1 [25.4]	1 [25.4]	1 [25.4]
Face Area sq. ft. [sq. m]	3.54 [0.33]	3.54 [0.33]	3.54 [0.33]	3.54 [0.33]
Rows / FPI [FPcm]	1 / 20 [8]	1 / 20 [8]	1 / 20 [8]	1 / 20 [8]
Refrigerant Control	TX Valves	TX Valves	TX Valves	TX Valves
Drain Connection No./Size in. [mm]	1/0.75 [19.05]	1/0.75 [19.05]	1/0.75 [19.05]	1/0.75 [19.05]
<b>Outdoor Fan - Type</b>	Propeller	Propeller	Propeller	Propeller
No. Used/Diameter in. [mm]	1/22 [558.8]	1/22 [558.8]	1/22 [558.8]	1/22 [558.8]
Drive Type/No. Speeds	Direct/1	Direct/1	Direct/1	Direct/1
CFM [L/s]	2400 [1133]	2400 [1133]	3250 [1534]	3250 [1534]
No. Motors/HP	1 at 1/3 HP	1 at 1/3 HP	1 at 1/3 HP	1 at 1/3 HP
Motor RPM	825	825	825	825
<b>Indoor Fan - Type</b>	FC Centrifugal	FC Centrifugal	FC Centrifugal	FC Centrifugal
No. Used/Diameter in. [mm]	1/10x9 [254x229]	1/10x9 [254x229]	1/12x9 [305x229]	1/12x9 [305x229]
Drive Type	Direct	Direct	Direct	Direct
No. Speeds	Multiple	Multiple	Multiple	Multiple
No. Motors	1	1	1	1
Motor HP	1/2	1/2	1	1
Motor RPM	1050	1050	1050	1050
Motor Frame Size	48	48	48	48
<b>Filter - Type</b>	Field Supplied	Field Supplied	Field Supplied	Field Supplied
Furnished	No	No	No	No
(NO.) Size Recommended in. [mm x mm x mm]	(1)1x24x24 [25x610x610]	(1)1x24x24 [25x610x610]	(1)1x24x24 [25x610x610]	(1)1x24x24 [25x610x610]
<b>Refrigerant Charge Oz. [g]</b>	48 [1361]	48 [1361]	49.6 [1406]	49.6 [1406]
<b>Weights</b>				
Net Weight lbs. [kg]	389 [176]	394 [179]	398 [181]	398 [181]
Ship Weight lbs. [kg]	397 [180]	402 [182]	406 [184]	406 [184]

See Page 20 for Notes.

[ ] Designates Metric Conversions

## NOMINAL SIZES 2-5 TONS [7.0-17.6 kW]

Model RGEAZR Series	036ACT081/X	036ACT08U	036ACT101/X	036ADT061/X
<b>Cooling Performance<sup>1</sup></b>				<b>CONTINUED</b> →
Gross Cooling Capacity Btu [kW]	35,200 [10.31]	35,200 [10.31]	35,200 [10.31]	35,200 [10.31]
EER2/SEER2 <sup>2</sup>	10.6/13.4	10.6/13.4	10.6/13.4	10.6/13.4
EER/SEER <sup>2</sup>	11/14	11/14	11/14	11/14
Nominal CFM/AHRI Rated CFM [L/s]	1200/1180 [566/557]	1200/1180 [566/557]	1200/1180 [566/557]	1200/1180 [566/557]
AHRI Net Cooling Capacity Btu [kW]	34,200 [10.02]	34,200 [10.02]	34,200 [10.02]	34,200 [10.02]
Net Sensible Capacity Btu [kW]	25,100 [7.35]	25,100 [7.35]	25,100 [7.35]	25,100 [7.35]
Net Latent Capacity Btu [kW]	9,100 [2.67]	9,100 [2.67]	9,100 [2.67]	9,100 [2.67]
Net System Power kW	2.81	2.81	2.81	2.81
<b>Heating Performance (Gas)<sup>4</sup></b>				
Heating Input Btu [kW]	80,000 [23.44]	80,000 [23.44]	100,000 [29.3]	60,000 [17.58]
Heating Output Btu [kW]	65,000 [19.04]	65,600 [19.22]	81,000 [23.73]	48,000 [14.06]
Temperature Rise Range °F [°C]	35-65 [19.4-36.1]	40-70 [22.2-38.9]	45-75 [25-41.7]	40-70 [22.2-38.9]
AFUE %	81	81	81	81
Steady State Efficiency (%)	82	82	82	82
No. Burners	4	1	5	3
No. Stages	1	1	1	1
Gas Connection Pipe Size in. [mm]	0.5 [12.7]	0.5 [12.7]	0.5 [12.7]	0.5 [12.7]
<b>Compressor</b>				
No./Type	1/Scroll	1/Scroll	1/Scroll	1/Scroll
<b>Outdoor Sound Rating (dB)<sup>5</sup></b>				
	75	75	75	75
<b>Outdoor Coil - Fin Type</b>				
Tube Type	Louvered	Louvered	Louvered	Louvered
MicroChannel Depth in. [mm]	MicroChannel	MicroChannel	MicroChannel	MicroChannel
Face Area sq. ft. [sq. m]	0.709 [18]	0.709 [18]	0.709 [18]	0.709 [18]
Rows / FPI [FPcm]	9.78 [0.91]	9.78 [0.91]	9.78 [0.91]	9.78 [0.91]
	1 / 23 [9]	1 / 23 [9]	1 / 23 [9]	1 / 23 [9]
<b>Indoor Coil - Fin Type</b>				
Tube Type	Louvered	Louvered	Louvered	Louvered
MicroChannel Depth in. [mm]	MicroChannel	MicroChannel	MicroChannel	MicroChannel
Face Area sq. ft. [sq. m]	1 [25.4]	1 [25.4]	1 [25.4]	1 [25.4]
Rows / FPI [FPcm]	3.54 [0.33]	3.54 [0.33]	3.54 [0.33]	3.54 [0.33]
	1 / 20 [8]	1 / 20 [8]	1 / 20 [8]	1 / 20 [8]
Refrigerant Control	TX Valves	TX Valves	TX Valves	TX Valves
Drain Connection No./Size in. [mm]	1/0.75 [19.05]	1/0.75 [19.05]	1/0.75 [19.05]	1/0.75 [19.05]
<b>Outdoor Fan - Type</b>				
No. Used/Diameter in. [mm]	Propeller	Propeller	Propeller	Propeller
Drive Type/No. Speeds	1/22 [558.8]	1/22 [558.8]	1/22 [558.8]	1/22 [558.8]
CFM [L/s]	Direct/1	Direct/1	Direct/1	Direct/1
No. Motors/HP	3250 [1534]	3250 [1534]	3250 [1534]	3250 [1534]
Motor RPM	1 at 1/3 HP	1 at 1/3 HP	1 at 1/3 HP	1 at 1/3 HP
	825	825	825	825
<b>Indoor Fan - Type</b>				
No. Used/Diameter in. [mm]	FC Centrifugal	FC Centrifugal	FC Centrifugal	FC Centrifugal
Drive Type	1/12x9 [305x229]	1/12x9 [305x229]	1/12x9 [305x229]	1/12x9 [305x229]
No. Speeds	Direct	Direct	Direct	Direct
No. Motors	Multiple	Multiple	Multiple	Multiple
Motor HP	1	1	1	1
Motor RPM	1	1	1	1
Motor Frame Size	1050	1050	1050	1050
	48	48	48	48
<b>Filter - Type</b>				
Furnished	Field Supplied	Field Supplied	Field Supplied	Field Supplied
(NO.) Size Recommended in. [mm x mm x mm]	No	No	No	No
	(1)1x24x24 [25x610x610]	(1)1x24x24 [25x610x610]	(1)1x24x24 [25x610x610]	(1)1x24x24 [25x610x610]
<b>Refrigerant Charge Oz. [g]</b>				
	49.6 [1406]	49.6 [1406]	49.6 [1406]	49.6 [1406]
<b>Weights</b>				
Net Weight lbs. [kg]	403 [183]	403 [183]	408 [185]	398 [181]
Ship Weight lbs. [kg]	411 [186]	411 [186]	416 [189]	406 [184]

See Page 20 for Notes.

[ ] Designates Metric Conversions

## NOMINAL SIZES 2-5 TONS [7.0-17.6 kW]

Model RGEAZR Series	036ADT06U	036ADT081/X	036ADT08U	036ADT101/X
<b>Cooling Performance<sup>1</sup></b>				<b>CONTINUED</b> →
Gross Cooling Capacity Btu [kW]	35,200 [10.31]	35,200 [10.31]	35,200 [10.31]	35,200 [10.31]
EER2/SEER2 <sup>2</sup>	10.6/13.4	10.6/13.4	10.6/13.4	10.6/13.4
EER/SEER <sup>2</sup>	11/14	11/14	11/14	11/14
Nominal CFM/AHRI Rated CFM [L/s]	1200/1180 [566/557]	1200/1180 [566/557]	1200/1180 [566/557]	1200/1180 [566/557]
AHRI Net Cooling Capacity Btu [kW]	34,200 [10.02]	34,200 [10.02]	34,200 [10.02]	34,200 [10.02]
Net Sensible Capacity Btu [kW]	25,100 [7.35]	25,100 [7.35]	25,100 [7.35]	25,100 [7.35]
Net Latent Capacity Btu [kW]	9,100 [2.67]	9,100 [2.67]	9,100 [2.67]	9,100 [2.67]
Net System Power kW	2.81	2.81	2.81	2.81
<b>Heating Performance (Gas)<sup>4</sup></b>				
Heating Input Btu [kW]	60,000 [17.58]	80,000 [23.44]	80,000 [23.44]	100,000 [29.3]
Heating Output Btu [kW]	49,200 [14.42]	65,000 [19.04]	65,600 [19.22]	81,000 [23.73]
Temperature Rise Range °F [°C]	40-70 [22.2-38.9]	35-65 [19.4-36.1]	40-70 [22.2-38.9]	45-75 [25-41.7]
AFUE %	81	81	81	81
Steady State Efficiency (%)	82	82	82	82
No. Burners	1	4	1	5
No. Stages	1	1	1	1
Gas Connection Pipe Size in. [mm]	0.5 [12.7]	0.5 [12.7]	0.5 [12.7]	0.5 [12.7]
<b>Compressor</b>				
No./Type	1/Scroll	1/Scroll	1/Scroll	1/Scroll
<b>Outdoor Sound Rating (dB)<sup>5</sup></b>	75	75	75	75
<b>Outdoor Coil - Fin Type</b>	Louvered	Louvered	Louvered	Louvered
Tube Type	MicroChannel	MicroChannel	MicroChannel	MicroChannel
MicroChannel Depth in. [mm]	0.709 [18]	0.709 [18]	0.709 [18]	0.709 [18]
Face Area sq. ft. [sq. m]	9.78 [0.91]	9.78 [0.91]	9.78 [0.91]	9.78 [0.91]
Rows / FPI [FPcm]	1 / 23 [9]	1 / 23 [9]	1 / 23 [9]	1 / 23 [9]
<b>Indoor Coil - Fin Type</b>	Louvered	Louvered	Louvered	Louvered
Tube Type	MicroChannel	MicroChannel	MicroChannel	MicroChannel
MicroChannel Depth in. [mm]	1 [25.4]	1 [25.4]	1 [25.4]	1 [25.4]
Face Area sq. ft. [sq. m]	3.54 [0.33]	3.54 [0.33]	3.54 [0.33]	3.54 [0.33]
Rows / FPI [FPcm]	1 / 20 [8]	1 / 20 [8]	1 / 20 [8]	1 / 20 [8]
Refrigerant Control	TX Valves	TX Valves	TX Valves	TX Valves
Drain Connection No./Size in. [mm]	1/0.75 [19.05]	1/0.75 [19.05]	1/0.75 [19.05]	1/0.75 [19.05]
<b>Outdoor Fan - Type</b>	Propeller	Propeller	Propeller	Propeller
No. Used/Diameter in. [mm]	1/22 [558.8]	1/22 [558.8]	1/22 [558.8]	1/22 [558.8]
Drive Type/No. Speeds	Direct/1	Direct/1	Direct/1	Direct/1
CFM [L/s]	3250 [1534]	3250 [1534]	3250 [1534]	3250 [1534]
No. Motors/HP	1 at 1/3 HP	1 at 1/3 HP	1 at 1/3 HP	1 at 1/3 HP
Motor RPM	825	825	825	825
<b>Indoor Fan - Type</b>	FC Centrifugal	FC Centrifugal	FC Centrifugal	FC Centrifugal
No. Used/Diameter in. [mm]	1/12x9 [305x229]	1/12x9 [305x229]	1/12x9 [305x229]	1/12x9 [305x229]
Drive Type	Direct	Direct	Direct	Direct
No. Speeds	Multiple	Multiple	Multiple	Multiple
No. Motors	1	1	1	1
Motor HP	1	1	1	1
Motor RPM	1050	1050	1050	1050
Motor Frame Size	48	48	48	48
<b>Filter - Type</b>	Field Supplied	Field Supplied	Field Supplied	Field Supplied
Furnished	No	No	No	No
(NO.) Size Recommended in. [mm x mm x mm]	(1)1x24x24 [25x610x610]	(1)1x24x24 [25x610x610]	(1)1x24x24 [25x610x610]	(1)1x24x24 [25x610x610]
<b>Refrigerant Charge Oz. [g]</b>	49.6 [1406]	49.6 [1406]	49.6 [1406]	49.6 [1406]
<b>Weights</b>				
Net Weight lbs. [kg]	398 [181]	403 [183]	403 [183]	408 [185]
Ship Weight lbs. [kg]	406 [184]	411 [186]	411 [186]	416 [189]

See Page 20 for Notes.

[ ] Designates Metric Conversions

## NOMINAL SIZES 2-5 TONS [7.0-17.6 kW]

Model RGEAZR Series	036AJT061/X	036AJT06U	036AJT081/X	036AJT08U
<b>Cooling Performance<sup>1</sup></b>				<b>CONTINUED</b> →
Gross Cooling Capacity Btu [kW]	35,600 [10.43]	35,600 [10.43]	35,600 [10.43]	35,600 [10.43]
EER2/SEER2 <sup>2</sup>	10.6/13.4	10.6/13.4	10.6/13.4	10.6/13.4
EER/SEER <sup>2</sup>	-	-	-	-
Nominal CFM/AHRI Rated CFM [L/s]	1200/1180 [566/557]	1200/1180 [566/557]	1200/1180 [566/557]	1200/1180 [566/557]
AHRI Net Cooling Capacity Btu [kW]	34,200 [10.02]	34,200 [10.02]	34,200 [10.02]	34,200 [10.02]
Net Sensible Capacity Btu [kW]	24,900 [7.3]	24,900 [7.3]	24,900 [7.3]	24,900 [7.3]
Net Latent Capacity Btu [kW]	9,300 [2.72]	9,300 [2.72]	9,300 [2.72]	9,300 [2.72]
Net System Power kW	2.98	2.98	2.98	2.98
<b>Heating Performance (Gas)<sup>4</sup></b>				
Heating Input Btu [kW]	60,000 [17.58]	60,000 [17.58]	80,000 [23.44]	80,000 [23.44]
Heating Output Btu [kW]	48,000 [14.06]	49,200 [14.42]	65,000 [19.04]	65,600 [19.22]
Temperature Rise Range °F [°C]	40-70 [22.2-38.9]	40-70 [22.2-38.9]	35-65 [19.4-36.1]	40-70 [22.2-38.9]
AFUE %	81	81	81	81
Steady State Efficiency (%)	82	82	82	82
No. Burners	3	1	4	1
No. Stages	1	1	1	1
Gas Connection Pipe Size in. [mm]	0.5 [12.7]	0.5 [12.7]	0.5 [12.7]	0.5 [12.7]
<b>Compressor</b>				
No./Type	1/Scroll	1/Scroll	1/Scroll	1/Scroll
<b>Outdoor Sound Rating (dB)<sup>5</sup></b>	75	75	75	75
<b>Outdoor Coil - Fin Type</b>	Louvered	Louvered	Louvered	Louvered
Tube Type	MicroChannel	MicroChannel	MicroChannel	MicroChannel
MicroChannel Depth in. [mm]	0.709 [18]	0.709 [18]	0.709 [18]	0.709 [18]
Face Area sq. ft. [sq. m]	9.78 [0.91]	9.78 [0.91]	9.78 [0.91]	9.78 [0.91]
Rows / FPI [FPcm]	1 / 23 [9]	1 / 23 [9]	1 / 23 [9]	1 / 23 [9]
<b>Indoor Coil - Fin Type</b>	Louvered	Louvered	Louvered	Louvered
Tube Type	MicroChannel	MicroChannel	MicroChannel	MicroChannel
MicroChannel Depth in. [mm]	1 [25.4]	1 [25.4]	1 [25.4]	1 [25.4]
Face Area sq. ft. [sq. m]	3.54 [0.33]	3.54 [0.33]	3.54 [0.33]	3.54 [0.33]
Rows / FPI [FPcm]	1 / 20 [8]	1 / 20 [8]	1 / 20 [8]	1 / 20 [8]
Refrigerant Control	TX Valves	TX Valves	TX Valves	TX Valves
Drain Connection No./Size in. [mm]	1/0.75 [19.05]	1/0.75 [19.05]	1/0.75 [19.05]	1/0.75 [19.05]
<b>Outdoor Fan - Type</b>	Propeller	Propeller	Propeller	Propeller
No. Used/Diameter in. [mm]	1/22 [558.8]	1/22 [558.8]	1/22 [558.8]	1/22 [558.8]
Drive Type/No. Speeds	Direct/1	Direct/1	Direct/1	Direct/1
CFM [L/s]	3250 [1534]	3250 [1534]	3250 [1534]	3250 [1534]
No. Motors/HP	1 at 1/3 HP	1 at 1/3 HP	1 at 1/3 HP	1 at 1/3 HP
Motor RPM	825	825	825	825
<b>Indoor Fan - Type</b>	FC Centrifugal	FC Centrifugal	FC Centrifugal	FC Centrifugal
No. Used/Diameter in. [mm]	1/12x9 [305x229]	1/12x9 [305x229]	1/12x9 [305x229]	1/12x9 [305x229]
Drive Type	Direct	Direct	Direct	Direct
No. Speeds	Multiple	Multiple	Multiple	Multiple
No. Motors	1	1	1	1
Motor HP	1	1	1	1
Motor RPM	1050	1050	1050	1050
Motor Frame Size	48	48	48	48
<b>Filter - Type</b>	Field Supplied	Field Supplied	Field Supplied	Field Supplied
Furnished	No	No	No	No
(NO.) Size Recommended in. [mm x mm x mm]	(1)1x24x24 [25x610x610]	(1)1x24x24 [25x610x610]	(1)1x24x24 [25x610x610]	(1)1x24x24 [25x610x610]
<b>Refrigerant Charge Oz. [g]</b>	49.6 [1406]	49.6 [1406]	49.6 [1406]	49.6 [1406]
<b>Weights</b>				
Net Weight lbs. [kg]	398 [181]	398 [181]	403 [183]	403 [183]
Ship Weight lbs. [kg]	406 [184]	406 [184]	411 [186]	411 [186]

See Page 20 for Notes.

[ ] Designates Metric Conversions

## NOMINAL SIZES 2-5 TONS [7.0-17.6 kW]

Model RGEAZR Series	036AJT101/X	042ACT081/X	042ACT08U	042ACT101/X
<b>Cooling Performance<sup>1</sup></b>				<b>CONTINUED</b> →
Gross Cooling Capacity Btu [kW]	35,600 [10.43]	42,000 [12.31]	42,000 [12.31]	42,000 [12.31]
EER2/SEER2 <sup>2</sup>	10.6/13.4	10.6/13.4	10.6/13.4	10.6/13.4
EER/SEER <sup>2</sup>	–	11/14	11/14	11/14
Nominal CFM/AHRI Rated CFM [L/s]	1200/1180 [566/557]	1400/1510 [661/713]	1400/1510 [661/713]	1400/1510 [661/713]
AHRI Net Cooling Capacity Btu [kW]	34,200 [10.02]	40,500 [11.87]	40,500 [11.87]	40,500 [11.87]
Net Sensible Capacity Btu [kW]	24,900 [7.3]	30,500 [8.94]	30,500 [8.94]	30,500 [8.94]
Net Latent Capacity Btu [kW]	9,300 [2.72]	10,000 [2.93]	10,000 [2.93]	10,000 [2.93]
Net System Power kW	2.98	3.45	3.45	3.45
<b>Heating Performance (Gas)<sup>4</sup></b>				
Heating Input Btu [kW]	100,000 [29.3]	80,000 [23.44]	80,000 [23.44]	100,000 [29.3]
Heating Output Btu [kW]	81,000 [23.73]	65,000 [19.04]	65,600 [19.22]	81,000 [23.73]
Temperature Rise Range °F [°C]	45-75 [25-41.7]	35-65 [19.4-36.1]	40-70 [22.2-38.9]	45-75 [25-41.7]
AFUE %	81	81	81	81
Steady State Efficiency (%)	82	82	82	82
No. Burners	5	4	1	5
No. Stages	1	1	1	1
Gas Connection Pipe Size in. [mm]	0.5 [12.7]	0.5 [12.7]	0.5 [12.7]	0.5 [12.7]
<b>Compressor</b>				
No./Type	1/Scroll	1/Scroll	1/Scroll	1/Scroll
<b>Outdoor Sound Rating (dB)<sup>5</sup></b>	75	77	77	77
<b>Outdoor Coil - Fin Type</b>	Louvered	Louvered	Louvered	Louvered
Tube Type	MicroChannel	MicroChannel	MicroChannel	MicroChannel
MicroChannel Depth in. [mm]	0.709 [18]	0.709 [18]	0.709 [18]	0.709 [18]
Face Area sq. ft. [sq. m]	9.78 [0.91]	16.18 [1.5]	16.18 [1.5]	16.18 [1.5]
Rows / FPI [FPcm]	1 / 23 [9]	1 / 23 [9]	1 / 23 [9]	1 / 23 [9]
<b>Indoor Coil - Fin Type</b>	Louvered	Louvered	Louvered	Louvered
Tube Type	MicroChannel	MicroChannel	MicroChannel	MicroChannel
MicroChannel Depth in. [mm]	1 [25.4]	1.26 [32]	1.26 [32]	1.26 [32]
Face Area sq. ft. [sq. m]	3.54 [0.33]	3.98 [0.37]	3.98 [0.37]	3.98 [0.37]
Rows / FPI [FPcm]	1 / 20 [8]	1 / 20 [8]	1 / 20 [8]	1 / 20 [8]
Refrigerant Control	TX Valves	TX Valves	TX Valves	TX Valves
Drain Connection No./Size in. [mm]	1/0.75 [19.05]	1/0.75 [19.05]	1/0.75 [19.05]	1/0.75 [19.05]
<b>Outdoor Fan - Type</b>	Propeller	Propeller	Propeller	Propeller
No. Used/Diameter in. [mm]	1/22 [558.8]	1/22 [558.8]	1/22 [558.8]	1/22 [558.8]
Drive Type/No. Speeds	Direct/1	Direct/1	Direct/1	Direct/1
CFM [L/s]	3250 [1534]	4300 [2029]	4300 [2029]	4300 [2029]
No. Motors/HP	1 at 1/3 HP	1 at 1/3 HP	1 at 1/3 HP	1 at 1/3 HP
Motor RPM	825	1050	1050	1050
<b>Indoor Fan - Type</b>	FC Centrifugal	FC Centrifugal	FC Centrifugal	FC Centrifugal
No. Used/Diameter in. [mm]	1/12x9 [305x229]	1/12x9 [305x229]	1/12x9 [305x229]	1/12x9 [305x229]
Drive Type	Direct	Direct	Direct	Direct
No. Speeds	Multiple	Multiple	Multiple	Multiple
No. Motors	1	1	1	1
Motor HP	1	3/4	3/4	3/4
Motor RPM	1050	1050	1050	1050
Motor Frame Size	48	48	48	48
<b>Filter - Type</b>	Field Supplied	Field Supplied	Field Supplied	Field Supplied
Furnished	No	No	No	No
(NO.) Size Recommended in. [mm x mm x mm]	(1)1x24x24 [25x610x610]	(1)1x24x24 [25x610x610]	(1)1x24x24 [25x610x610]	(1)1x24x24 [25x610x610]
<b>Refrigerant Charge Oz. [g]</b>	49.6 [1406]	72 [2041]	72 [2041]	72 [2041]
<b>Weights</b>				
Net Weight lbs. [kg]	408 [185]	468 [212]	468 [212]	473 [215]
Ship Weight lbs. [kg]	416 [189]	476 [216]	476 [216]	481 [218]

See Page 20 for Notes.

[ ] Designates Metric Conversions

## NOMINAL SIZES 2-5 TONS [7.0-17.6 kW]

Model RGEAZR Series	042AJT081/X	042AJT08U	042AJT101/X	048ACT081/X
<b>Cooling Performance<sup>1</sup></b>				<b>CONTINUED</b> →
Gross Cooling Capacity Btu [kW]	42,500 [12.45]	42,500 [12.45]	42,500 [12.45]	48,000 [14.06]
EER2/SEER2 <sup>2</sup>	10.6/13.4	10.6/13.4	10.6/13.4	10.6/13.4
EER/SEER <sup>2</sup>	–	–	–	11/14
Nominal CFM/AHRI Rated CFM [L/s]	1400/1510 [661/713]	1400/1510 [661/713]	1400/1510 [661/713]	1600/1730 [755/816]
AHRI Net Cooling Capacity Btu [kW]	40,500 [11.87]	40,500 [11.87]	40,500 [11.87]	46,000 [13.48]
Net Sensible Capacity Btu [kW]	30,500 [8.94]	30,500 [8.94]	30,500 [8.94]	34,000 [9.96]
Net Latent Capacity Btu [kW]	10,000 [2.93]	10,000 [2.93]	10,000 [2.93]	12,000 [3.52]
Net System Power kW	3.6	3.6	3.6	4.11
<b>Heating Performance (Gas)<sup>4</sup></b>				
Heating Input Btu [kW]	80,000 [23.44]	80,000 [23.44]	100,000 [29.3]	80,000 [23.44]
Heating Output Btu [kW]	65,000 [19.04]	65,600 [19.22]	81,000 [23.73]	65,000 [19.04]
Temperature Rise Range °F [°C]	35-65 [19.4-36.1]	40-70 [22.2-38.9]	45-75 [25-41.7]	35-65 [19.4-36.1]
AFUE %	81	81	81	81
Steady State Efficiency (%)	82	82	82	82
No. Burners	4	1	5	4
No. Stages	1	1	1	1
Gas Connection Pipe Size in. [mm]	0.5 [12.7]	0.5 [12.7]	0.5 [12.7]	0.5 [12.7]
<b>Compressor</b>				
No./Type	1/Scroll	1/Scroll	1/Scroll	1/Scroll
<b>Outdoor Sound Rating (dB)<sup>5</sup></b>	77	77	77	76
<b>Outdoor Coil - Fin Type</b>	Louvered	Louvered	Louvered	Louvered
Tube Type	MicroChannel	MicroChannel	MicroChannel	MicroChannel
MicroChannel Depth in. [mm]	0.709 [18]	0.709 [18]	0.709 [18]	1 [25.4]
Face Area sq. ft. [sq. m]	16.18 [1.5]	16.18 [1.5]	16.18 [1.5]	15.37 [1.43]
Rows / FPI [FPcm]	1 / 23 [9]	1 / 23 [9]	1 / 23 [9]	1 / 23 [9]
<b>Indoor Coil - Fin Type</b>	Louvered	Louvered	Louvered	Louvered
Tube Type	MicroChannel	MicroChannel	MicroChannel	MicroChannel
MicroChannel Depth in. [mm]	1.26 [32]	1.26 [32]	1.26 [32]	1.26 [32]
Face Area sq. ft. [sq. m]	3.98 [0.37]	3.98 [0.37]	3.98 [0.37]	3.98 [0.37]
Rows / FPI [FPcm]	1 / 20 [8]	1 / 20 [8]	1 / 20 [8]	1 / 20 [8]
Refrigerant Control	TX Valves	TX Valves	TX Valves	TX Valves
Drain Connection No./Size in. [mm]	1/0.75 [19.05]	1/0.75 [19.05]	1/0.75 [19.05]	1/0.75 [19.05]
<b>Outdoor Fan - Type</b>	Propeller	Propeller	Propeller	Propeller
No. Used/Diameter in. [mm]	1/22 [558.8]	1/22 [558.8]	1/22 [558.8]	1/22 [558.8]
Drive Type/No. Speeds	Direct/1	Direct/1	Direct/1	Direct/1
CFM [L/s]	4300 [2029]	4300 [2029]	4300 [2029]	4150 [1958]
No. Motors/HP	1 at 1/3 HP	1 at 1/3 HP	1 at 1/3 HP	1 at 1/3 HP
Motor RPM	1050	1050	1050	1050
<b>Indoor Fan - Type</b>	FC Centrifugal	FC Centrifugal	FC Centrifugal	FC Centrifugal
No. Used/Diameter in. [mm]	1/12x9 [305x229]	1/12x9 [305x229]	1/12x9 [305x229]	1/12x9 [305x229]
Drive Type	Direct	Direct	Direct	Direct
No. Speeds	Multiple	Multiple	Multiple	Multiple
No. Motors	1	1	1	1
Motor HP	3/4	3/4	3/4	1
Motor RPM	1050	1050	1050	1050
Motor Frame Size	48	48	48	48
<b>Filter - Type</b>	Field Supplied	Field Supplied	Field Supplied	Field Supplied
Furnished	No	No	No	No
(NO.) Size Recommended in. [mm x mm x mm]	(1)1x24x24 [25x610x610]	(1)1x24x24 [25x610x610]	(1)1x24x24 [25x610x610]	(1)1x24x24 [25x610x610]
<b>Refrigerant Charge Oz. [g]</b>	72 [2041]	72 [2041]	72 [2041]	88 [2495]
<b>Weights</b>				
Net Weight lbs. [kg]	468 [212]	468 [212]	473 [215]	487 [221]
Ship Weight lbs. [kg]	476 [216]	476 [216]	481 [218]	495 [225]

See Page 20 for Notes.

[ ] Designates Metric Conversions

## NOMINAL SIZES 2-5 TONS [7.0-17.6 kW]

Model RGEAZR Series	048ACT08U	048ACT101/X	048ACT10U	048ADT081/X
<b>Cooling Performance<sup>1</sup></b>				<b>CONTINUED</b> →
Gross Cooling Capacity Btu [kW]	48,000 [14.06]	48,000 [14.06]	48,000 [14.06]	48,000 [14.06]
EER2/SEER2 <sup>2</sup>	10.6/13.4	10.6/13.4	10.6/13.4	10.6/13.4
EER/SEER <sup>2</sup>	11/14	11/14	11/14	11/14
Nominal CFM/AHRI Rated CFM [L/s]	1600/1730 [755/816]	1600/1730 [755/816]	1600/1730 [755/816]	1600/1730 [755/816]
AHRI Net Cooling Capacity Btu [kW]	46,000 [13.48]	46,000 [13.48]	46,000 [13.48]	46,000 [13.48]
Net Sensible Capacity Btu [kW]	34,000 [9.96]	34,000 [9.96]	34,000 [9.96]	34,000 [9.96]
Net Latent Capacity Btu [kW]	12,000 [3.52]	12,000 [3.52]	12,000 [3.52]	12,000 [3.52]
Net System Power kW	4.11	4.11	4.11	4.11
<b>Heating Performance (Gas)<sup>4</sup></b>				
Heating Input Btu [kW]	80,000 [23.44]	100,000 [29.3]	100,000 [29.3]	80,000 [23.44]
Heating Output Btu [kW]	65,600 [19.22]	81,000 [23.73]	82,000 [24.03]	65,000 [19.04]
Temperature Rise Range °F [°C]	40-70 [22.2-38.9]	45-75 [25-41.7]	40-70 [22.2-38.9]	35-65 [19.4-36.1]
AFUE %	81	81	81	81
Steady State Efficiency (%)	82	82	82	82
No. Burners	1	5	1	4
No. Stages	1	1	1	1
Gas Connection Pipe Size in. [mm]	0.5 [12.7]	0.5 [12.7]	0.5 [12.7]	0.5 [12.7]
<b>Compressor</b>				
No./Type	1/Scroll	1/Scroll	1/Scroll	1/Scroll
<b>Outdoor Sound Rating (dB)<sup>5</sup></b>	76	76	76	76
<b>Outdoor Coil - Fin Type</b>	Louvered	Louvered	Louvered	Louvered
Tube Type	MicroChannel	MicroChannel	MicroChannel	MicroChannel
MicroChannel Depth in. [mm]	1 [25.4]	1 [25.4]	1 [25.4]	1 [25.4]
Face Area sq. ft. [sq. m]	15.37 [1.43]	15.37 [1.43]	15.37 [1.43]	15.37 [1.43]
Rows / FPI [FPcm]	1 / 23 [9]	1 / 23 [9]	1 / 23 [9]	1 / 23 [9]
<b>Indoor Coil - Fin Type</b>	Louvered	Louvered	Louvered	Louvered
Tube Type	MicroChannel	MicroChannel	MicroChannel	MicroChannel
MicroChannel Depth in. [mm]	1.26 [32]	1.26 [32]	1.26 [32]	1.26 [32]
Face Area sq. ft. [sq. m]	3.98 [0.37]	3.98 [0.37]	3.98 [0.37]	3.98 [0.37]
Rows / FPI [FPcm]	1 / 20 [8]	1 / 20 [8]	1 / 20 [8]	1 / 20 [8]
Refrigerant Control	TX Valves	TX Valves	TX Valves	TX Valves
Drain Connection No./Size in. [mm]	1/0.75 [19.05]	1/0.75 [19.05]	1/0.75 [19.05]	1/0.75 [19.05]
<b>Outdoor Fan - Type</b>	Propeller	Propeller	Propeller	Propeller
No. Used/Diameter in. [mm]	1/22 [558.8]	1/22 [558.8]	1/22 [558.8]	1/22 [558.8]
Drive Type/No. Speeds	Direct/1	Direct/1	Direct/1	Direct/1
CFM [L/s]	4150 [1958]	4150 [1958]	4150 [1958]	4150 [1958]
No. Motors/HP	1 at 1/3 HP	1 at 1/3 HP	1 at 1/3 HP	1 at 1/3 HP
Motor RPM	1050	1050	1050	1050
<b>Indoor Fan - Type</b>	FC Centrifugal	FC Centrifugal	FC Centrifugal	FC Centrifugal
No. Used/Diameter in. [mm]	1/12x9 [305x229]	1/12x9 [305x229]	1/12x9 [305x229]	1/12x9 [305x229]
Drive Type	Direct	Direct	Direct	Direct
No. Speeds	Multiple	Multiple	Multiple	Multiple
No. Motors	1	1	1	1
Motor HP	1	1	1	1
Motor RPM	1050	1050	1050	1050
Motor Frame Size	48	48	48	48
<b>Filter - Type</b>	Field Supplied	Field Supplied	Field Supplied	Field Supplied
Furnished	No	No	No	No
(NO.) Size Recommended in. [mm x mm x mm]	(1)1x24x24 [25x610x610]	(1)1x24x24 [25x610x610]	(1)1x24x24 [25x610x610]	(1)1x24x24 [25x610x610]
<b>Refrigerant Charge Oz. [g]</b>	88 [2495]	88 [2495]	88 [2495]	88 [2495]
<b>Weights</b>				
Net Weight lbs. [kg]	487 [221]	492 [223]	492 [223]	487 [221]
Ship Weight lbs. [kg]	495 [225]	500 [227]	500 [227]	495 [225]

See Page 20 for Notes.

[ ] Designates Metric Conversions

## NOMINAL SIZES 2-5 TONS [7.0-17.6 kW]

Model RGEAZR Series	048ADT101/X	048ADT10U	048AJT081/X	048AJT08U
<b>Cooling Performance<sup>1</sup></b>				<b>CONTINUED</b> →
Gross Cooling Capacity Btu [kW]	48,000 [14.06]	48,000 [14.06]	48,500 [14.21]	48,500 [14.21]
EER2/SEER2 <sup>2</sup>	10.6/13.4	10.6/13.4	10.6/13.4	10.6/13.4
EER/SEER <sup>2</sup>	11/14	11/14	–	–
Nominal CFM/AHRI Rated CFM [L/s]	1600/1730 [755/816]	1600/1730 [755/816]	1600/1730 [755/816]	1600/1730 [755/816]
AHRI Net Cooling Capacity Btu [kW]	46,000 [13.48]	46,000 [13.48]	46,000 [13.48]	46,000 [13.48]
Net Sensible Capacity Btu [kW]	34,000 [9.96]	34,000 [9.96]	34,000 [9.96]	34,000 [9.96]
Net Latent Capacity Btu [kW]	12,000 [3.52]	12,000 [3.52]	12,000 [3.52]	12,000 [3.52]
Net System Power kW	4.11	4.11	4.33	4.33
<b>Heating Performance (Gas)<sup>4</sup></b>				
Heating Input Btu [kW]	100,000 [29.3]	100,000 [29.3]	80,000 [23.44]	80,000 [23.44]
Heating Output Btu [kW]	81,000 [23.73]	82,000 [24.03]	65,000 [19.04]	65,600 [19.22]
Temperature Rise Range °F [°C]	45-75 [25-41.7]	40-70 [22.2-38.9]	35-65 [19.4-36.1]	40-70 [22.2-38.9]
AFUE %	81	81	81	81
Steady State Efficiency (%)	82	82	82	82
No. Burners	5	1	4	1
No. Stages	1	1	1	1
Gas Connection Pipe Size in. [mm]	0.5 [12.7]	0.5 [12.7]	0.5 [12.7]	0.5 [12.7]
<b>Compressor</b>				
No./Type	1/Scroll	1/Scroll	1/Scroll	1/Scroll
<b>Outdoor Sound Rating (dB)<sup>5</sup></b>	76	76	76	76
<b>Outdoor Coil - Fin Type</b>	Louvered	Louvered	Louvered	Louvered
Tube Type	MicroChannel	MicroChannel	MicroChannel	MicroChannel
MicroChannel Depth in. [mm]	1 [25.4]	1 [25.4]	1 [25.4]	1 [25.4]
Face Area sq. ft. [sq. m]	15.37 [1.43]	15.37 [1.43]	15.37 [1.43]	15.37 [1.43]
Rows / FPI [FPcm]	1 / 23 [9]	1 / 23 [9]	1 / 23 [9]	1 / 23 [9]
<b>Indoor Coil - Fin Type</b>	Louvered	Louvered	Louvered	Louvered
Tube Type	MicroChannel	MicroChannel	MicroChannel	MicroChannel
MicroChannel Depth in. [mm]	1.26 [32]	1.26 [32]	1.26 [32]	1.26 [32]
Face Area sq. ft. [sq. m]	3.98 [0.37]	3.98 [0.37]	3.98 [0.37]	3.98 [0.37]
Rows / FPI [FPcm]	1 / 20 [8]	1 / 20 [8]	1 / 20 [8]	1 / 20 [8]
Refrigerant Control	TX Valves	TX Valves	TX Valves	TX Valves
Drain Connection No./Size in. [mm]	1/0.75 [19.05]	1/0.75 [19.05]	1/0.75 [19.05]	1/0.75 [19.05]
<b>Outdoor Fan - Type</b>	Propeller	Propeller	Propeller	Propeller
No. Used/Diameter in. [mm]	1/22 [558.8]	1/22 [558.8]	1/22 [558.8]	1/22 [558.8]
Drive Type/No. Speeds	Direct/1	Direct/1	Direct/1	Direct/1
CFM [L/s]	4150 [1958]	4150 [1958]	4150 [1958]	4150 [1958]
No. Motors/HP	1 at 1/3 HP	1 at 1/3 HP	1 at 1/3 HP	1 at 1/3 HP
Motor RPM	1050	1050	1050	1050
<b>Indoor Fan - Type</b>	FC Centrifugal	FC Centrifugal	FC Centrifugal	FC Centrifugal
No. Used/Diameter in. [mm]	1/12x9 [305x229]	1/12x9 [305x229]	1/12x9 [305x229]	1/12x9 [305x229]
Drive Type	Direct	Direct	Direct	Direct
No. Speeds	Multiple	Multiple	Multiple	Multiple
No. Motors	1	1	1	1
Motor HP	1	1	1	1
Motor RPM	1050	1050	1050	1050
Motor Frame Size	48	48	48	48
<b>Filter - Type</b>	Field Supplied	Field Supplied	Field Supplied	Field Supplied
Furnished	No	No	No	No
(NO.) Size Recommended in. [mm x mm x mm]	(1)1x24x24 [25x610x610]	(1)1x24x24 [25x610x610]	(1)1x24x24 [25x610x610]	(1)1x24x24 [25x610x610]
<b>Refrigerant Charge Oz. [g]</b>	88 [2495]	88 [2495]	88 [2495]	88 [2495]
<b>Weights</b>				
Net Weight lbs. [kg]	492 [223]	492 [223]	487 [221]	487 [221]
Ship Weight lbs. [kg]	500 [227]	500 [227]	495 [225]	495 [225]

See Page 20 for Notes.

[ ] Designates Metric Conversions



## NOMINAL SIZES 2-5 TONS [7.0-17.6 kW]

Model RGEAZR Series	048AJT101/X	048AJT10U	060ACT081/X	060ACT101/X
<b>Cooling Performance<sup>1</sup></b>				<b>CONTINUED</b> →
Gross Cooling Capacity Btu [kW]	48,500 [14.21]	48,500 [14.21]	58,000 [16.99]	58,000 [16.99]
EER2/SEER2 <sup>2</sup>	10.6/13.4	10.6/13.4	10.6/13.4	10.6/13.4
EER/SEER <sup>2</sup>	–	–	11/14	11/14
Nominal CFM/AHRI Rated CFM [L/s]	1600/1730 [755/816]	1600/1730 [755/816]	2000/1700 [944/802]	2000/1700 [944/802]
AHRI Net Cooling Capacity Btu [kW]	46,000 [13.48]	46,000 [13.48]	56,000 [16.41]	56,000 [16.41]
Net Sensible Capacity Btu [kW]	34,000 [9.96]	34,000 [9.96]	40,000 [11.72]	40,000 [11.72]
Net Latent Capacity Btu [kW]	12,000 [3.52]	12,000 [3.52]	16,000 [4.69]	16,000 [4.69]
Net System Power kW	4.33	4.33	5.02	5.02
<b>Heating Performance (Gas)<sup>4</sup></b>				
Heating Input Btu [kW]	100,000 [29.3]	100,000 [29.3]	80,000 [23.44]	100,000 [29.3]
Heating Output Btu [kW]	81,000 [23.73]	82,000 [24.03]	65,000 [19.04]	81,000 [23.73]
Temperature Rise Range °F [°C]	45-75 [25-41.7]	40-70 [22.2-38.9]	35-65 [19.4-36.1]	45-75 [25-41.7]
AFUE %	81	81	81	81
Steady State Efficiency (%)	82	82	82	82
No. Burners	5	1	4	5
No. Stages	1	1	1	1
Gas Connection Pipe Size in. [mm]	0.5 [12.7]	0.5 [12.7]	0.5 [12.7]	0.5 [12.7]
<b>Compressor</b>				
No./Type	1/Scroll	1/Scroll	1/Scroll	1/Scroll
<b>Outdoor Sound Rating (dB)<sup>5</sup></b>	76	76	77	77
<b>Outdoor Coil - Fin Type</b>	Louvered	Louvered	Louvered	Louvered
Tube Type	MicroChannel	MicroChannel	MicroChannel	MicroChannel
MicroChannel Depth in. [mm]	1 [25.4]	1 [25.4]	1 [25.4]	1 [25.4]
Face Area sq. ft. [sq. m]	15.37 [1.43]	15.37 [1.43]	15.37 [1.43]	15.37 [1.43]
Rows / FPI [FPcm]	1 / 23 [9]	1 / 23 [9]	1 / 23 [9]	1 / 23 [9]
<b>Indoor Coil - Fin Type</b>	Louvered	Louvered	Louvered	Louvered
Tube Type	MicroChannel	MicroChannel	MicroChannel	MicroChannel
MicroChannel Depth in. [mm]	1.26 [32]	1.26 [32]	1.26 [32]	1.26 [32]
Face Area sq. ft. [sq. m]	3.98 [0.37]	3.98 [0.37]	3.96 [0.37]	3.96 [0.37]
Rows / FPI [FPcm]	1 / 20 [8]	1 / 20 [8]	1 / 20 [8]	1 / 20 [8]
Refrigerant Control	TX Valves	TX Valves	TX Valves	TX Valves
Drain Connection No./Size in. [mm]	1/0.75 [19.05]	1/0.75 [19.05]	1/0.75 [19.05]	1/0.75 [19.05]
<b>Outdoor Fan - Type</b>	Propeller	Propeller	Propeller	Propeller
No. Used/Diameter in. [mm]	1/22 [558.8]	1/22 [558.8]	1/22 [558.8]	1/22 [558.8]
Drive Type/No. Speeds	Direct/1	Direct/1	Direct/1	Direct/1
CFM [L/s]	4150 [1958]	4150 [1958]	4300 [2029]	4300 [2029]
No. Motors/HP	1 at 1/3 HP	1 at 1/3 HP	1 at 1/2 HP	1 at 1/2 HP
Motor RPM	1050	1050	1050	1050
<b>Indoor Fan - Type</b>	FC Centrifugal	FC Centrifugal	FC Centrifugal	FC Centrifugal
No. Used/Diameter in. [mm]	1/12x9 [305x229]	1/12x9 [305x229]	1/12x9 [305x229]	1/12x9 [305x229]
Drive Type	Direct	Direct	Direct	Direct
No. Speeds	Multiple	Multiple	Multiple	Multiple
No. Motors	1	1	1	1
Motor HP	1	1	1	1
Motor RPM	1050	1050	1050	1050
Motor Frame Size	48	48	48	48
<b>Filter - Type</b>	Field Supplied	Field Supplied	Field Supplied	Field Supplied
Furnished	No	No	No	No
(NO.) Size Recommended in. [mm x mm x mm]	(1)1x24x24 [25x610x610]	(1)1x24x24 [25x610x610]	(1)1x24x24 [25x610x610]	(1)1x24x24 [25x610x610]
<b>Refrigerant Charge Oz. [g]</b>	88 [2495]	88 [2495]	89.6 [2540]	89.6 [2540]
<b>Weights</b>				
Net Weight lbs. [kg]	492 [223]	492 [223]	490 [222]	495 [225]
Ship Weight lbs. [kg]	500 [227]	500 [227]	498 [226]	503 [228]

See Page 20 for Notes.

[ ] Designates Metric Conversions

## NOMINAL SIZES 2-5 TONS [7.0-17.6 kW]

Model RGEAZR Series	060ACT10U	060ADT081/X	060ADT101/X	060ADT10U
<b>Cooling Performance<sup>1</sup></b>				<b>CONTINUED</b> →
Gross Cooling Capacity Btu [kW]	58,000 [16.99]	58,000 [16.99]	58,000 [16.99]	58,000 [16.99]
EER2/SEER2 <sup>2</sup>	10.6/13.4	10.6/13.4	10.6/13.4	10.6/13.4
EER/SEER <sup>2</sup>	11/14	11/14	11/14	11/14
Nominal CFM/AHRI Rated CFM [L/s]	2000/1700 [944/802]	2000/1700 [944/802]	2000/1700 [944/802]	2000/1700 [944/802]
AHRI Net Cooling Capacity Btu [kW]	56,000 [16.41]	56,000 [16.41]	56,000 [16.41]	56,000 [16.41]
Net Sensible Capacity Btu [kW]	40,000 [11.72]	40,000 [11.72]	40,000 [11.72]	40,000 [11.72]
Net Latent Capacity Btu [kW]	16,000 [4.69]	16,000 [4.69]	16,000 [4.69]	16,000 [4.69]
Net System Power kW	5.02	5.02	5.02	5.02
<b>Heating Performance (Gas)<sup>4</sup></b>				
Heating Input Btu [kW]	100,000 [29.3]	80,000 [23.44]	100,000 [29.3]	100,000 [29.3]
Heating Output Btu [kW]	82,000 [24.03]	65,000 [19.04]	81,000 [23.73]	82,000 [24.03]
Temperature Rise Range °F [°C]	40-70 [22.2-38.9]	35-65 [19.4-36.1]	45-75 [25-41.7]	40-70 [22.2-38.9]
AFUE %	81	81	81	81
Steady State Efficiency (%)	82	82	82	82
No. Burners	1	4	5	1
No. Stages	1	1	1	1
Gas Connection Pipe Size in. [mm]	0.5 [12.7]	0.5 [12.7]	0.5 [12.7]	0.5 [12.7]
<b>Compressor</b>				
No./Type	1/Scroll	1/Scroll	1/Scroll	1/Scroll
<b>Outdoor Sound Rating (dB)<sup>5</sup></b>	77	77	77	77
<b>Outdoor Coil - Fin Type</b>	Louvered	Louvered	Louvered	Louvered
Tube Type	MicroChannel	MicroChannel	MicroChannel	MicroChannel
MicroChannel Depth in. [mm]	1 [25.4]	1 [25.4]	1 [25.4]	1 [25.4]
Face Area sq. ft. [sq. m]	15.37 [1.43]	15.37 [1.43]	15.37 [1.43]	15.37 [1.43]
Rows / FPI [FPcm]	1 / 23 [9]	1 / 23 [9]	1 / 23 [9]	1 / 23 [9]
<b>Indoor Coil - Fin Type</b>	Louvered	Louvered	Louvered	Louvered
Tube Type	MicroChannel	MicroChannel	MicroChannel	MicroChannel
MicroChannel Depth in. [mm]	1.26 [32]	1.26 [32]	1.26 [32]	1.26 [32]
Face Area sq. ft. [sq. m]	3.96 [0.37]	3.96 [0.37]	3.96 [0.37]	3.96 [0.37]
Rows / FPI [FPcm]	1 / 20 [8]	1 / 20 [8]	1 / 20 [8]	1 / 20 [8]
Refrigerant Control	TX Valves	TX Valves	TX Valves	TX Valves
Drain Connection No./Size in. [mm]	1/0.75 [19.05]	1/0.75 [19.05]	1/0.75 [19.05]	1/0.75 [19.05]
<b>Outdoor Fan - Type</b>	Propeller	Propeller	Propeller	Propeller
No. Used/Diameter in. [mm]	1/22 [558.8]	1/22 [558.8]	1/22 [558.8]	1/22 [558.8]
Drive Type/No. Speeds	Direct/1	Direct/1	Direct/1	Direct/1
CFM [L/s]	4300 [2029]	4300 [2029]	4300 [2029]	4300 [2029]
No. Motors/HP	1 at 1/2 HP	1 at 1/2 HP	1 at 1/2 HP	1 at 1/2 HP
Motor RPM	1050	1050	1050	1050
<b>Indoor Fan - Type</b>	FC Centrifugal	FC Centrifugal	FC Centrifugal	FC Centrifugal
No. Used/Diameter in. [mm]	1/12x9 [305x229]	1/12x9 [305x229]	1/12x9 [305x229]	1/12x9 [305x229]
Drive Type	Direct	Direct	Direct	Direct
No. Speeds	Multiple	Multiple	Multiple	Multiple
No. Motors	1	1	1	1
Motor HP	1	1	1	1
Motor RPM	1050	1050	1050	1050
Motor Frame Size	48	48	48	48
<b>Filter - Type</b>	Field Supplied	Field Supplied	Field Supplied	Field Supplied
Furnished	No	No	No	No
(NO.) Size Recommended in. [mm x mm x mm]	(1)1x24x24 [25x610x610]	(1)1x24x24 [25x610x610]	(1)1x24x24 [25x610x610]	(1)1x24x24 [25x610x610]
<b>Refrigerant Charge Oz. [g]</b>	89.6 [2540]	89.6 [2540]	89.6 [2540]	89.6 [2540]
<b>Weights</b>				
Net Weight lbs. [kg]	495 [225]	490 [222]	495 [225]	495 [225]
Ship Weight lbs. [kg]	503 [228]	498 [226]	503 [228]	503 [228]

See Page 20 for Notes.

[ ] Designates Metric Conversions

## NOMINAL SIZES 2-5 TONS [7.0-17.6 kW]

Model RGEAZR Series	060AJT081/X	060AJT101/X	060AJT10U
<b>Cooling Performance<sup>1</sup></b>			
Gross Cooling Capacity Btu [kW]	58,500 [17.14]	58,500 [17.14]	58,500 [17.14]
EER2/SEER2	10.6/13.4	10.6/13.4	10.6/13.4
EER/SEER <sup>2</sup>	–	–	–
Nominal CFM/AHRI Rated CFM [L/s]	2000/1700 [944/802]	2000/1700 [944/802]	2000/1700 [944/802]
AHRI Net Cooling Capacity Btu [kW]	56,000 [16.41]	56,000 [16.41]	56,000 [16.41]
Net Sensible Capacity Btu [kW]	40,000 [11.72]	40,000 [11.72]	40,000 [11.72]
Net Latent Capacity Btu [kW]	16,000 [4.69]	16,000 [4.69]	16,000 [4.69]
Net System Power kW	5.16	5.16	5.16
<b>Heating Performance (Gas)<sup>4</sup></b>			
Heating Input Btu [kW]	80,000 [23.44]	100,000 [29.3]	100,000 [29.3]
Heating Output Btu [kW]	65,000 [19.04]	81,000 [23.73]	82,000 [24.03]
Temperature Rise Range °F [°C]	35-65 [19.4-36.1]	45-75 [25-41.7]	40-70 [22.2-38.9]
AFUE %	81	81	81
Steady State Efficiency (%)	82	82	82
No. Burners	4	5	1
No. Stages	1	1	1
Gas Connection Pipe Size in. [mm]	0.5 [12.7]	0.5 [12.7]	0.5 [12.7]
<b>Compressor</b>			
No./Type	1/Scroll	1/Scroll	1/Scroll
<b>Outdoor Sound Rating (dB)<sup>5</sup></b>			
	77	77	77
<b>Outdoor Coil - Fin Type</b>			
Tube Type	Louvered	Louvered	Louvered
MicroChannel Depth in. [mm]	MicroChannel	MicroChannel	MicroChannel
Face Area sq. ft. [sq. m]	1 [25.4]	1 [25.4]	1 [25.4]
Rows / FPI [FPcm]	15.37 [1.43]	15.37 [1.43]	15.37 [1.43]
	1 / 23 [9]	1 / 23 [9]	1 / 23 [9]
<b>Indoor Coil - Fin Type</b>			
Tube Type	Louvered	Louvered	Louvered
MicroChannel Depth in. [mm]	MicroChannel	MicroChannel	MicroChannel
Face Area sq. ft. [sq. m]	1.26 [32]	1.26 [32]	1.26 [32]
Rows / FPI [FPcm]	3.96 [0.37]	3.96 [0.37]	3.96 [0.37]
	1 / 20 [8]	1 / 20 [8]	1 / 20 [8]
Refrigerant Control	TX Valves	TX Valves	TX Valves
Drain Connection No./Size in. [mm]	1/0.75 [19.05]	1/0.75 [19.05]	1/0.75 [19.05]
<b>Outdoor Fan - Type</b>			
No. Used/Diameter in. [mm]	Propeller	Propeller	Propeller
Drive Type/No. Speeds	1/22 [558.8]	1/22 [558.8]	1/22 [558.8]
CFM [L/s]	Direct/1	Direct/1	Direct/1
No. Motors/HP	4300 [2029]	4300 [2029]	4300 [2029]
Motor RPM	1 at 1/2 HP	1 at 1/2 HP	1 at 1/2 HP
	1050	1050	1050
<b>Indoor Fan - Type</b>			
No. Used/Diameter in. [mm]	FC Centrifugal	FC Centrifugal	FC Centrifugal
Drive Type	1/12x9 [305x229]	1/12x9 [305x229]	1/12x9 [305x229]
No. Speeds	Direct	Direct	Direct
No. Motors	Multiple	Multiple	Multiple
Motor HP	1	1	1
Motor RPM	1	1	1
Motor Frame Size	1050	1050	1050
	48	48	48
<b>Filter - Type</b>			
Furnished	Field Supplied	Field Supplied	Field Supplied
(NO.) Size Recommended in. [mm x mm x mm]	No	No	No
	(1)1x24x24 [25x610x610]	(1)1x24x24 [25x610x610]	(1)1x24x24 [25x610x610]
<b>Refrigerant Charge Oz. [g]</b>			
	89.6 [2540]	89.6 [2540]	89.6 [2540]
<b>Weights</b>			
Net Weight lbs. [kg]	490 [222]	495 [225]	495 [225]
Ship Weight lbs. [kg]	498 [226]	503 [228]	503 [228]

See Page 20 for Notes.

[ ] Designates Metric Conversions

## NOTES:

1. Cooling Performance is rated at 95°F ambient, 80°F entering dry bulb, 67°F entering wet bulb. Gross capacity does not include the effect of fan motor heat. ARI capacity is net and includes the effect of fan motor heat. Units are suitable for operation to  $\pm 20\%$  of nominal cfm. Units are certified in accordance with the Unitary Air Conditioner Equipment certification program, which is based on AHRI Standard 210/240 or 360.
2. EER2 and/or SEER2 are rated at AHRI conditions and in accordance with DOE test procedures for 1-Phase models. EER and/or SEER are rated at AHRI conditions and in accordance with DOE test procedures for 3-Phase models.
3. Heating Performance limit settings and rating data were established and approved under laboratory test conditions using American National Standard Institute standards. Ratings shown are for elevations up to 2000 feet. For elevations above 2000 feet, ratings should be reduced at the rate of 4% for each 1000 feet above sea level.
4. AFUE is rated in accordance with DOE test procedures.H
5. Outdoor Sound Rating shown is tested in accordance with AHRI Standard 270.

## GROSS SYSTEMS PERFORMANCE DATA—RGEAZR024AJT

ENTERING INDOOR AIR @ 80°F [26.7°C] dbE ①											
wbE		71°F [21.7°C]			67°F [19.4°C]			63°F [17.2°C]			
CFM [L/s]		900 [425]	810 [382]	700 [330]	900 [425]	810 [382]	700 [330]	900 [425]	810 [382]	700 [330]	
DR ①		0.17	0.19	0.22	0.17	0.19	0.22	0.17	0.19	0.22	
INDOOR DRY BULB TEMPERATURE °F [°C]	75 [23.9]	Total BTUH [kW] Sens BTUH [kW] Power	29.4 [8.6] 17.4 [5.1] 1.4	28.8 [8.4] 15.9 [4.7] 1.4	28.1 [8.2] 14.2 [4.2] 1.4	27.7 [8.1] 20.7 [6.1] 1.4	27.1 [7.9] 19.1 [5.6] 1.4	26.5 [7.8] 17.3 [5.1] 1.4	26.8 [7.9] 23.9 [7.0] 1.4	26.3 [7.7] 22.2 [6.5] 1.4	25.6 [7.5] 20.1 [5.9] 1.4
	80 [26.7]	Total BTUH [kW] Sens BTUH [kW] Power	28.5 [8.4] 16.9 [5.0] 1.5	27.9 [8.2] 15.5 [4.5] 1.5	27.3 [8.0] 14.0 [4.1] 1.5	26.8 [7.9] 20.2 [5.9] 1.5	26.3 [7.7] 18.7 [5.5] 1.5	25.6 [7.5] 16.9 [5.0] 1.5	25.9 [7.6] 23.4 [6.9] 1.5	25.4 [7.4] 21.7 [6.4] 1.5	24.8 [7.3] 19.8 [5.8] 1.5
	85 [29.4]	Total BTUH [kW] Sens BTUH [kW] Power	27.6 [8.1] 16.4 [4.8] 1.6	27.1 [7.9] 15.1 [4.4] 1.6	26.4 [7.7] 13.5 [4.0] 1.6	25.9 [7.6] 19.7 [5.8] 1.6	25.4 [7.4] 18.2 [5.3] 1.6	24.8 [7.3] 16.5 [4.8] 1.6	25.1 [7.4] 23.0 [6.7] 1.6	24.6 [7.2] 21.4 [6.3] 1.6	24.0 [7.0] 19.5 [5.7] 1.6
	90 [32.2]	Total BTUH [kW] Sens BTUH [kW] Power	26.8 [7.9] 16.0 [4.7] 1.7	26.2 [7.7] 14.6 [4.3] 1.7	25.6 [7.5] 13.1 [3.8] 1.7	25.1 [7.4] 19.4 [5.7] 1.7	24.6 [7.2] 17.9 [5.2] 1.7	24.0 [7.0] 16.2 [4.7] 1.7	24.2 [7.1] 22.5 [6.6] 1.7	23.7 [6.9] 20.9 [6.1] 1.7	23.1 [6.8] 19.0 [5.6] 1.7
	95 [35]	Total BTUH [kW] Sens BTUH [kW] Power	25.9 [7.6] 15.5 [4.5] 1.9	25.4 [7.4] 14.2 [4.2] 1.8	24.7 [7.2] 12.6 [3.7] 1.8	24.2 [7.1] 18.8 [5.5] 1.9	23.7 [6.9] 17.4 [5.1] 1.8	23.1 [6.8] 15.7 [4.6] 1.8	23.3 [6.8] 22.0 [6.4] 1.9	22.8 [6.7] 20.4 [6.0] 1.8	22.3 [6.5] 18.6 [5.4] 1.8
	100 [37.8]	Total BTUH [kW] Sens BTUH [kW] Power	25.0 [7.3] 15.0 [4.4] 2.0	24.5 [7.2] 13.8 [4.0] 2.0	23.9 [7.0] 12.4 [3.6] 1.9	23.3 [6.8] 18.3 [5.4] 2.0	22.8 [6.7] 16.9 [5.0] 2.0	22.2 [6.5] 15.3 [4.5] 1.9	22.4 [6.6] 21.6 [6.3] 2.0	21.9 [6.4] 20.0 [5.9] 2.0	21.4 [6.3] 18.3 [5.4] 1.9
	105 [40.6]	Total BTUH [kW] Sens BTUH [kW] Power	24.0 [7.0] 14.4 [4.2] 2.1	23.6 [6.9] 13.3 [3.9] 2.1	2.03 [6.7] 11.9 [3.5] 2.1	22.3 [6.5] 17.8 [5.2] 2.1	21.9 [6.4] 16.5 [4.8] 2.1	21.4 [6.3] 15.0 [4.4] 2.1	21.5 [6.3] 21.0 [6.2] 2.1	21.0 [6.2] 19.5 [5.7] 2.1	20.5 [6.0] 17.8 [5.2] 2.1
	110 [43.3]	Total BTUH [kW] Sens BTUH [kW] Power	23.1 [6.8] 14.0 [4.1] 2.3	22.6 [6.6] 12.8 [3.8] 2.2	22.1 [6.5] 11.5 [3.4] 2.2	21.4 [6.3] 17.3 [5.1] 2.3	21.0 [6.2] 16.0 [4.7] 2.2	20.5 [6.0] 14.5 [4.2] 2.2	20.5 [6.0] 20.4 [6.0] 2.3	20.1 [5.9] 19.0 [5.6] 2.2	19.6 [5.7] 17.3 [5.1] 2.2
	115 [46.1]	Total BTUH [kW] Sens BTUH [kW] Power	22.1 [6.5] 13.4 [3.9] 2.4	21.7 [6.4] 12.3 [3.6] 2.4	21.2 [6.2] 11.1 [3.3] 2.3	20.5 [6.0] 16.8 [4.9] 2.4	20.0 [5.9] 15.5 [4.5] 2.4	19.6 [5.7] 14.1 [4.1] 2.4	19.6 [5.7] 19.6 [5.7] 2.4	19.2 [5.6] 18.6 [5.4] 2.4	18.7 [5.5] 17.0 [5.0] 2.4

DR —Depression ratio  
dbE —Entering air dry bulb  
wbE—Entering air wet bulb

Total —Total capacity x 1000 BTUH  
Sens —Sensible capacity x 1000 BTUH  
Power —KW input

NOTES: ① When the entering air dry bulb is other than 80°F [27°C], adjust the sensible capacity from the table by adding [1.10 x CFM x (1 – DR) x (dbE – 80)].

[ ] Designates Metric Conversions

## GROSS SYSTEMS PERFORMANCE DATA – RGEAZR030AJT

ENTERING INDOOR AIR @ 80°F [26.7°C] dbE ①											
wbE		71°F [21.7°C]			67°F [19.4°C]			63°F [17.2°C]			
CFM [L/s]		1120 [529]	980 [463]	880 [415]	1120 [529]	980 [463]	880 [415]	1120 [529]	980 [463]	880 [415]	
DR ①		0.11	0.13	0.15	0.11	0.13	0.15	0.11	0.13	0.15	
OUTDOOR DRY BULB TEMPERATURE °F [°C]	75 [23.9]	Total BTUH [kW] Sens BTUH [kW] Power	36.4 [10.7] 23.0 [6.7] 1.8	35.5 [10.4] 20.7 [6.1] 1.7	34.8 [10.2] 19.0 [5.6] 1.7	34.3 [10.0] 26.6 [7.8] 1.8	33.5 [9.8] 24.1 [7.1] 1.7	32.8 [9.6] 22.3 [6.5] 1.7	32.9 [9.6] 30.3 [8.9] 1.8	32.0 [9.4] 27.5 [8.1] 1.7	31.4 [9.2] 25.6 [7.5] 1.7
	80 [26.7]	Total BTUH [kW] Sens BTUH [kW] Power	35.4 [10.4] 22.4 [6.6] 1.9	34.5 [10.1] 20.1 [5.9] 1.8	33.8 [9.9] 18.5 [5.4] 1.8	33.3 [9.8] 26.0 [7.6] 1.9	32.5 [9.5] 23.6 [6.9] 1.8	31.9 [9.3] 21.9 [6.4] 1.8	31.8 [9.3] 29.7 [8.7] 1.9	31.0 [9.1] 27.0 [7.9] 1.8	30.5 [8.9] 25.2 [7.4] 1.8
	85 [29.4]	Total BTUH [kW] Sens BTUH [kW] Power	34.3 [10.0] 21.8 [6.4] 2.0	33.4 [9.8] 19.5 [5.7] 2.0	32.8 [9.6] 18.0 [5.3] 1.9	32.3 [9.5] 25.5 [7.5] 2.0	31.5 [9.2] 23.1 [6.8] 2.0	30.9 [9.1] 21.4 [6.3] 1.9	30.8 [9.0] 29.1 [8.5] 2.0	30.0 [8.8] 26.5 [7.8] 2.0	29.5 [8.6] 24.8 [7.3] 1.9
	90 [32.2]	Total BTUH [kW] Sens BTUH [kW] Power	33.3 [9.8] 21.3 [6.2] 2.1	32.4 [9.5] 19.1 [5.6] 2.1	31.8 [9.3] 17.6 [5.2] 2.1	31.2 [9.1] 24.9 [7.3] 2.1	30.4 [8.9] 22.5 [6.6] 2.1	29.9 [8.8] 21.0 [6.2] 2.1	29.7 [8.7] 28.5 [8.4] 2.1	29.0 [8.5] 26.0 [7.6] 2.1	28.5 [8.4] 24.3 [7.1] 2.1
	95 [35]	Total BTUH [kW] Sens BTUH [kW] Power	32.2 [9.4] 20.7 [6.1] 2.2	31.4 [9.2] 18.6 [5.4] 2.2	30.8 [9.0] 17.1 [5.0] 2.2	30.1 [8.8] 24.3 [7.1] 2.2	29.4 [8.6] 22.1 [6.5] 2.2	28.8 [8.4] 20.5 [6.0] 2.2	28.7 [8.4] 28.1 [8.2] 2.2	27.9 [8.2] 25.5 [7.5] 2.2	27.4 [8.0] 23.8 [7.0] 2.2
	100 [37.8]	Total BTUH [kW] Sens BTUH [kW] Power	31.1 [9.1] 20.2 [5.9] 2.4	30.3 [8.9] 18.1 [5.3] 2.3	29.7 [8.7] 16.7 [4.9] 2.3	29.0 [8.5] 23.8 [7.0] 2.4	28.3 [8.3] 21.6 [6.3] 2.3	27.8 [8.1] 20.1 [5.9] 2.3	27.6 [8.1] 27.4 [8.0] 2.4	26.9 [7.9] 25.0 [7.3] 2.3	26.4 [7.7] 23.3 [6.8] 2.3
	105 [40.6]	Total BTUH [kW] Sens BTUH [kW] Power	29.9 [8.8] 19.5 [5.7] 2.5	29.2 [8.6] 17.6 [5.2] 2.5	28.6 [8.4] 16.2 [4.7] 2.5	27.9 [8.2] 23.3 [6.8] 2.5	27.2 [8.0] 21.1 [6.2] 2.5	26.7 [7.8] 19.6 [5.7] 2.5	26.4 [7.7] 26.4 [7.7] 2.5	25.8 [7.6] 24.6 [7.2] 2.5	25.3 [7.4] 23.0 [6.7] 2.5
	110 [43.3]	Total BTUH [kW] Sens BTUH [kW] Power	28.8 [8.4] 19.1 [5.6] 2.7	28.1 [8.2] 17.2 [5.0] 2.6	27.5 [8.1] 15.8 [4.6] 2.6	26.7 [7.8] 22.6 [6.6] 2.7	26.1 [7.6] 20.6 [6.0] 2.6	25.6 [7.5] 19.1 [5.6] 2.6	25.3 [7.4] 25.3 [7.4] 2.7	24.6 [7.2] 24.0 [7.0] 2.6	24.2 [7.1] 22.5 [6.6] 2.6
	115 [46.1]	Total BTUH [kW] Sens BTUH [kW] Power	27.6 [8.1] 18.5 [5.4] 2.8	26.9 [7.9] 16.6 [4.9] 2.8	26.4 [7.7] 15.3 [4.5] 2.8	25.6 [7.5] 22.2 [6.5] 2.8	24.9 [7.3] 20.1 [5.9] 2.8	24.5 [7.2] 18.8 [5.5] 2.8	24.1 [7.1] 24.1 [7.1] 2.8	23.5 [6.9] 23.5 [6.9] 2.8	23.1 [6.8] 22.0 [6.4] 2.8

DR —Depression ratio  
dbE —Entering air dry bulb  
wbE —Entering air wet bulb

Total —Total capacity x 1000 BTUH  
Sens —Sensible capacity x 1000 BTUH  
Power —kW input

NOTES: ① When the entering air dry bulb is other than 80°F [27°C], adjust the sensible capacity from the table by adding [1.10 x CFM x (1 - DR) x (dbE - 80)].

[ ] Designates Metric Conversions

## GROSS SYSTEMS PERFORMANCE DATA—RGEAZR036A(C/D)T

ENTERING INDOOR AIR @ 80°F [26.7°C] dbE ①											
wbE		71°F [21.7°C]			67°F [19.4°C]			63°F [17.2°C]			
CFM [L/s]		1350 [637]	1180 [557]	1050 [496]	1350 [637]	1180 [557]	1050 [496]	1350 [637]	1180 [557]	1050 [496]	
DR ①		0.14	0.16	0.19	0.14	0.16	0.19	0.14	0.16	0.19	
OUTDOOR DRY BULB TEMPERATURE °F [°C]	75 [23.9]	Total BTUH [kW] Sens BTUH [kW] Power	44.2 [13.0] 26.7 [7.8] 2.0	43.1 [12.6] 23.9 [7.0] 2.0	42.2 [12.4] 21.8 [6.4] 2.0	41.2 [12.1] 31.4 [9.2] 2.0	40.2 [11.8] 28.4 [8.3] 2.0	39.4 [11.5] 26.2 [7.7] 2.0	38.8 [11.4] 35.2 [10.3] 2.0	37.9 [11.1] 32.1 [9.4] 2.0	37.1 [10.9] 29.7 [8.7] 2.0
	80 [26.7]	Total BTUH [kW] Sens BTUH [kW] Power	43.0 [12.6] 26.1 [7.6] 2.1	41.9 [12.3] 23.4 [6.9] 2.1	41.1 [12.0] 21.4 [6.3] 2.1	40.0 [11.7] 30.7 [9.0] 2.1	39.0 [11.4] 27.8 [8.1] 2.1	38.2 [11.2] 25.6 [7.5] 2.1	37.6 [11.0] 34.6 [10.1] 2.1	36.7 [10.8] 31.5 [9.2] 2.1	35.9 [10.5] 29.1 [8.5] 2.1
	85 [29.4]	Total BTUH [kW] Sens BTUH [kW] Power	41.7 [12.2] 25.5 [7.5] 2.3	40.7 [11.9] 22.9 [6.7] 2.3	39.9 [11.7] 21.0 [6.2] 2.2	38.7 [11.3] 30.1 [8.8] 2.3	37.8 [11.1] 27.3 [8.0] 2.2	37.0 [10.8] 25.1 [7.4] 2.2	36.4 [10.7] 34.0 [10.0] 2.3	35.4 [10.4] 30.9 [9.1] 2.2	34.7 [10.2] 28.6 [8.4] 2.2
	90 [32.2]	Total BTUH [kW] Sens BTUH [kW] Power	40.4 [11.8] 24.8 [7.3] 2.4	39.4 [11.5] 22.2 [6.5] 2.4	38.6 [11.3] 20.3 [5.9] 2.4	37.4 [11.0] 29.5 [8.6] 2.4	36.5 [10.7] 26.7 [7.8] 2.4	35.7 [10.5] 24.6 [7.2] 2.4	35.1 [10.3] 33.4 [9.8] 2.4	34.2 [10.0] 30.4 [8.9] 2.4	33.5 [9.8] 28.2 [8.3] 2.4
	95 [35]	Total BTUH [kW] Sens BTUH [kW] Power	39.0 [11.4] 24.1 [7.1] 2.6	38.0 [11.1] 21.6 [6.3] 2.5	37.3 [10.9] 19.8 [5.8] 2.5	36.1 [10.6] 28.8 [8.4] 2.6	35.1 [10.3] 26.0 [7.6] 2.5	34.4 [10.1] 24.0 [7.0] 2.5	33.7 [9.9] 32.7 [9.6] 2.6	32.8 [9.6] 29.7 [8.7] 2.5	32.2 [9.4] 27.6 [8.1] 2.5
	100 [37.8]	Total BTUH [kW] Sens BTUH [kW] Power	37.6 [11.0] 23.4 [6.9] 2.7	36.7 [10.8] 21.0 [6.2] 2.7	35.9 [10.5] 19.2 [5.6] 2.7	34.6 [10.1] 28.0 [8.2] 2.7	33.7 [9.9] 25.3 [7.4] 2.7	33.1 [9.7] 23.4 [6.9] 2.7	32.3 [9.5] 32.0 [9.4] 2.7	31.4 [9.2] 29.1 [8.5] 2.7	30.8 [9.0] 27.0 [7.9] 2.7
	105 [40.6]	Total BTUH [kW] Sens BTUH [kW] Power	36.1 [10.6] 22.6 [6.6] 2.9	35.2 [10.3] 20.3 [5.9] 2.9	34.5 [10.1] 18.6 [5.4] 2.8	33.1 [9.7] 27.2 [8.0] 2.9	32.3 [9.5] 24.7 [7.2] 2.9	31.6 [9.3] 22.8 [6.7] 2.8	30.8 [9.0] 30.8 [9.0] 2.9	30.0 [8.8] 28.4 [8.3] 2.9	29.4 [8.6] 26.4 [7.7] 2.8
	110 [43.3]	Total BTUH [kW] Sens BTUH [kW] Power	34.6 [10.1] 21.9 [6.4] 3.1	33.7 [9.9] 19.6 [5.7] 3.0	33.0 [9.7] 17.9 [5.2] 3.0	31.6 [9.3] 26.5 [7.8] 3.1	30.8 [9.0] 24.0 [7.0] 3.0	30.2 [8.8] 22.2 [6.5] 3.0	29.2 [8.6] 29.2 [8.6] 3.1	28.5 [8.4] 27.7 [8.1] 3.0	27.9 [8.2] 25.7 [7.5] 3.0
	115 [46.1]	Total BTUH [kW] Sens BTUH [kW] Power	33.0 [9.7] 21.0 [6.2] 3.3	32.1 [9.4] 18.8 [5.5] 3.2	31.5 [9.2] 17.3 [5.1] 3.2	30.0 [8.8] 25.6 [7.5] 3.3	29.2 [8.6] 23.2 [6.8] 3.2	28.6 [8.4] 21.4 [6.3] 3.2	27.6 [8.1] 27.6 [8.1] 3.2	26.9 [7.9] 26.9 [7.9] 3.2	26.4 [7.7] 25.0 [7.3] 3.2

DR —Depression ratio  
dbE —Entering air dry bulb  
wbE—Entering air wet bulb

Total —Total capacity x 1000 BTUH  
Sens —Sensible capacity x 1000 BTUH  
Power —KW input

NOTES: ① When the entering air dry bulb is other than 80°F [27°C], adjust the sensible capacity from the table by adding [1.10 x CFM x (1 - DR) x (dbE - 80)].

[ ] Designates Metric Conversions

## GROSS SYSTEMS PERFORMANCE DATA – RGEAZR036AJT

ENTERING INDOOR AIR @ 80°F [26.7°C] dbE ①											
wbE		71°F [21.7°C]			67°F [19.4°C]			63°F [17.2°C]			
CFM [L/s]		1350 [637]	1180 [557]	1050 [496]	1350 [637]	1180 [557]	1050 [496]	1350 [637]	1180 [557]	1050 [496]	
DR ①		0.13	0.16	0.18	0.13	0.16	0.18	0.13	0.16	0.18	
OUTDOOR DRY BULB TEMPERATURE °F [°C]	75 [23.9]	Total BTUH [kW] Sens BTUH [kW] Power	44.7 [13.1] 27.0 [7.9] 2.0	43.6 [12.8] 24.2 [7.1] 2.0	42.7 [12.5] 22.1 [6.5] 2.0	41.7 [12.2] 31.7 [9.3] 2.0	40.7 [11.9] 28.7 [8.4] 2.0	39.8 [11.7] 26.4 [7.7] 2.0	39.4 [11.5] 35.6 [10.4] 2.0	38.4 [11.3] 32.4 [9.5] 2.0	37.6 [11.0] 30.0 [8.8] 2.0
	80 [26.7]	Total BTUH [kW] Sens BTUH [kW] Power	43.5 [12.7] 26.5 [7.8] 2.2	42.4 [12.4] 23.7 [6.9] 2.1	41.5 [12.2] 21.6 [6.3] 2.1	40.5 [11.9] 31.1 [9.1] 2.2	39.5 [11.6] 28.1 [8.2] 2.1	38.7 [11.3] 25.9 [7.6] 2.1	38.2 [11.2] 35.0 [10.3] 2.2	37.2 [10.9] 31.8 [9.3] 2.1	36.4 [10.7] 29.4 [8.6] 2.1
	85 [29.4]	Total BTUH [kW] Sens BTUH [kW] Power	42.2 [12.4] 25.8 [7.6] 2.3	41.2 [12.1] 23.2 [6.8] 2.3	40.3 [11.8] 21.2 [6.2] 2.2	39.3 [11.5] 30.5 [8.9] 2.3	38.3 [11.2] 27.6 [8.1] 2.3	37.5 [11.0] 25.4 [7.4] 2.2	36.9 [10.8] 34.4 [10.1] 2.3	36.0 [10.5] 31.3 [9.2] 2.3	35.2 [10.3] 28.9 [8.5] 2.2
	90 [32.2]	Total BTUH [kW] Sens BTUH [kW] Power	40.9 [12.0] 25.1 [7.4] 2.4	39.9 [11.7] 22.5 [6.6] 2.4	39.1 [11.5] 20.6 [6.0] 2.4	37.9 [11.1] 29.8 [8.7] 2.4	37.0 [10.8] 27.0 [7.9] 2.4	36.2 [10.6] 24.9 [7.3] 2.4	35.6 [10.4] 33.7 [9.9] 2.4	34.7 [10.2] 30.7 [9.0] 2.4	34.0 [10.0] 28.5 [8.4] 2.4
	95 [35]	Total BTUH [kW] Sens BTUH [kW] Power	39.6 [11.6] 24.5 [7.2] 2.6	38.5 [11.3] 21.9 [6.4] 2.6	37.8 [11.1] 20.1 [5.9] 2.5	36.6 [10.7] 29.1 [8.5] 2.6	35.6 [10.4] 26.3 [7.7] 2.6	34.9 [10.2] 24.3 [7.1] 2.5	34.2 [10.0] 33.0 [9.7] 2.6	33.3 [9.8] 30.0 [8.8] 2.6	32.7 [9.6] 27.9 [8.2] 2.5
	100 [37.8]	Total BTUH [kW] Sens BTUH [kW] Power	38.1 [11.2] 23.7 [6.9] 2.8	37.2 [10.9] 21.3 [6.2] 2.7	36.4 [10.7] 19.4 [5.7] 2.7	35.1 [10.3] 28.3 [8.3] 2.7	34.2 [10.0] 25.6 [7.5] 2.7	33.6 [9.8] 23.7 [6.9] 2.7	32.8 [9.6] 32.3 [9.5] 2.7	31.9 [9.3] 29.4 [8.6] 2.7	31.3 [9.2] 27.3 [8.0] 2.7
	105 [40.6]	Total BTUH [kW] Sens BTUH [kW] Power	36.6 [10.7] 22.9 [6.7] 2.9	35.7 [10.5] 20.6 [6.0] 2.9	35.0 [10.3] 18.9 [5.5] 2.9	33.7 [9.9] 27.6 [8.1] 2.9	32.8 [9.6] 25.0 [7.3] 2.9	32.1 [9.4] 23.1 [6.8] 2.8	31.3 [9.2] 31.3 [9.2] 2.9	30.5 [8.9] 28.7 [8.4] 2.9	29.9 [8.8] 26.7 [7.8] 2.8
	110 [43.3]	Total BTUH [kW] Sens BTUH [kW] Power	35.1 [10.3] 22.2 [6.5] 3.1	34.2 [10.0] 19.9 [5.8] 3.1	33.5 [9.8] 18.2 [5.3] 3.0	32.1 [9.4] 26.8 [7.9] 3.1	31.3 [9.2] 24.3 [7.1] 3.0	30.7 [9.0] 22.5 [6.6] 3.0	29.7 [8.7] 29.7 [8.7] 3.1	29.0 [8.5] 28.0 [8.2] 3.0	28.4 [8.3] 26.0 [7.6] 3.0
	115 [46.1]	Total BTUH [kW] Sens BTUH [kW] Power	33.5 [9.8] 21.3 [6.2] 3.3	32.6 [9.6] 19.1 [5.6] 3.2	32.0 [9.4] 17.5 [5.1] 3.2	30.5 [8.9] 25.9 [7.6] 3.3	29.7 [8.7] 23.5 [6.9] 3.2	29.1 [8.5] 21.7 [6.4] 3.2	28.1 [8.2] 28.1 [8.2] 3.3	27.4 [8.0] 27.2 [8.0] 3.2	26.9 [7.9] 25.3 [7.4] 3.2

DR —Depression ratio  
dbE —Entering air dry bulb  
wbE—Entering air wet bulb

Total —Total capacity x 1000 BTUH  
Sens —Sensible capacity x 1000 BTUH  
Power—KW input

NOTES: ① When the entering air dry bulb is other than 80°F [27°C], adjust the sensible capacity from the table by adding [1.10 x CFM x (1 – DR) x (dbE – 80)].

[ ] Designates Metric Conversions



## GROSS SYSTEMS PERFORMANCE DATA—RGEAZR042ACT

ENTERING INDOOR AIR @ 80°F [26.7°C] dbE ①											
wbE		71°F [21.7°C]			67°F [19.4°C]			63°F [17.2°C]			
CFM [L/s]		1580 [746]	1510 [713]	1220 [576]	1580 [746]	1510 [713]	1220 [576]	1580 [746]	1510 [713]	1220 [576]	
DR ①		0.17	0.17	0.2	0.17	0.17	0.2	0.17	0.17	0.2	
OUTDOOR DRY BULB TEMPERATURE °F [°C]	75 [23.9]	Total BTUH [kW] Sens BTUH [kW] Power	51.4 [15.1] 30.9 [9.1] 2.3	51.0 [14.9] 29.8 [8.7] 2.3	49.2 [14.4] 25.5 [7.5] 2.3	48.3 [14.2] 36.1 [10.6] 2.3	47.9 [14.0] 34.9 [10.2] 2.3	46.2 [13.5] 30.2 [8.8] 2.3	45.8 [13.4] 40.0 [11.7] 2.4	45.4 [13.3] 38.8 [11.4] 2.3	43.8 [12.8] 33.9 [9.9] 2.3
	80 [26.7]	Total BTUH [kW] Sens BTUH [kW] Power	50.0 [14.6] 30.1 [8.8] 2.5	49.6 [14.5] 29.1 [8.5] 2.5	47.8 [14.0] 24.9 [7.3] 2.4	46.9 [13.7] 35.3 [10.3] 2.5	46.5 [13.6] 34.2 [10.0] 2.5	44.9 [13.2] 29.7 [8.7] 2.5	44.4 [13.0] 39.3 [11.5] 2.5	44.0 [12.9] 38.1 [11.2] 2.5	42.5 [12.5] 33.3 [9.8] 2.5
	85 [29.4]	Total BTUH [kW] Sens BTUH [kW] Power	48.5 [14.2] 29.3 [8.6] 2.7	48.1 [14.1] 28.3 [8.3] 2.6	46.4 [13.6] 24.2 [7.1] 2.6	45.4 [13.3] 34.5 [10.1] 2.7	45.0 [13.2] 33.4 [9.8] 2.7	43.5 [12.7] 29.0 [8.5] 2.6	42.9 [12.6] 38.5 [11.3] 2.7	42.6 [12.5] 37.4 [11.0] 2.7	41.1 [12.0] 32.7 [9.6] 2.6
	90 [32.2]	Total BTUH [kW] Sens BTUH [kW] Power	47.0 [13.8] 28.6 [8.4] 2.8	46.6 [13.7] 27.6 [8.1] 2.8	45.0 [13.2] 23.7 [6.9] 2.8	43.9 [12.9] 33.8 [9.9] 2.8	43.6 [12.8] 32.8 [9.6] 2.8	42.0 [12.3] 28.4 [8.3] 2.8	41.4 [12.1] 37.8 [11.1] 2.8	41.1 [12.0] 36.7 [10.8] 2.8	39.6 [11.6] 32.0 [9.4] 2.8
	95 [35]	Total BTUH [kW] Sens BTUH [kW] Power	45.5 [13.3] 27.9 [8.2] 3.0	45.1 [13.2] 26.9 [7.9] 3.0	43.6 [12.8] 23.1 [6.8] 2.9	42.4 [12.4] 33.1 [9.7] 3.0	42.0 [12.3] 32.0 [9.4] 3.0	40.6 [11.9] 27.9 [8.2] 3.0	39.9 [11.7] 37.1 [10.9] 3.0	39.6 [11.6] 36.0 [10.5] 3.0	38.2 [11.2] 31.5 [9.2] 3.0
	100 [37.8]	Total BTUH [kW] Sens BTUH [kW] Power	43.9 [12.9] 27.2 [8.0] 3.2	43.6 [12.8] 26.3 [7.7] 3.2	42.0 [12.3] 22.5 [6.6] 3.1	40.8 [12.0] 32.4 [9.5] 3.2	40.5 [11.9] 31.4 [9.2] 3.2	39.1 [11.5] 27.3 [8.0] 3.1	38.3 [11.2] 36.4 [10.7] 3.2	38.0 [11.1] 35.3 [10.3] 3.2	36.7 [10.8] 31.0 [9.1] 3.1
	105 [40.6]	Total BTUH [kW] Sens BTUH [kW] Power	42.3 [12.4] 26.5 [7.8] 3.4	41.9 [12.3] 25.5 [7.5] 3.4	40.5 [11.9] 21.9 [6.4] 3.3	39.2 [11.5] 31.6 [9.3] 3.4	38.9 [11.4] 30.6 [9.0] 3.4	37.5 [11.0] 26.6 [7.8] 3.3	36.7 [10.8] 35.6 [10.4] 3.4	36.4 [10.7] 34.5 [10.1] 3.4	35.1 [10.3] 30.2 [8.8] 3.3
	110 [43.3]	Total BTUH [kW] Sens BTUH [kW] Power	40.6 [11.9] 25.6 [7.5] 3.6	40.3 [11.8] 24.8 [7.3] 3.5	38.9 [11.4] 21.3 [6.2] 3.5	37.5 [11.0] 30.9 [9.1] 3.6	37.2 [10.9] 29.9 [8.8] 3.6	35.9 [10.5] 26.0 [7.6] 3.5	35.0 [10.3] 34.8 [10.2] 3.6	34.7 [10.2] 33.8 [9.9] 3.6	33.5 [9.8] 29.7 [8.7] 3.5
	115 [46.1]	Total BTUH [kW] Sens BTUH [kW] Power	38.9 [11.4] 24.9 [7.3] 3.8	38.6 [11.3] 24.1 [7.1] 3.7	37.2 [10.9] 20.7 [6.1] 3.7	35.8 [10.5] 30.0 [8.8] 3.8	35.5 [10.4] 29.1 [8.5] 3.8	34.3 [10.0] 25.4 [7.4] 3.7	33.3 [9.8] 33.3 [9.8] 3.8	33.0 [9.7] 33.0 [9.7] 3.8	31.8 [9.3] 28.9 [8.5] 3.7

DR —Depression ratio  
dbE —Entering air dry bulb  
wbE—Entering air wet bulb

Total —Total capacity x 1000 BTUH  
Sens —Sensible capacity x 1000 BTUH  
Power —KW input

NOTES: ① When the entering air dry bulb is other than 80°F [27°C], adjust the sensible capacity from the table by adding [1.10 x CFM x (1 - DR) x (dbE - 80)].

[ ] Designates Metric Conversions

## GROSS SYSTEMS PERFORMANCE DATA – RGEAZR042AJT

ENTERING INDOOR AIR @ 80°F [26.7°C] dbE ①											
wbE		71°F [21.7°C]			67°F [19.4°C]			63°F [17.2°C]			
CFM [L/s]		1580 [746]	1510 [713]	1220 [576]	1580 [746]	1510 [713]	1220 [576]	1580 [746]	1510 [713]	1220 [576]	
DR ①		0.15	0.16	0.19	0.15	0.16	0.19	0.15	0.16	0.19	
OUTDOOR DRY BULB TEMPERATURE °F [°C]	75 [23.9]	Total BTUH [kW] Sens BTUH [kW] Power	51.8 [15.2] 31.3 [9.2] 2.4	51.4 [15.1] 30.2 [8.8] 2.4	49.6 [14.5] 25.9 [7.6] 2.3	48.7 [14.3] 36.5 [10.7] 2.4	48.3 [14.2] 35.3 [10.3] 2.4	46.6 [13.7] 30.6 [9.0] 2.3	46.2 [13.5] 40.5 [11.9] 2.4	45.8 [13.4] 39.2 [11.5] 2.4	44.2 [13.0] 34.2 [10.0] 2.3
	80 [26.7]	Total BTUH [kW] Sens BTUH [kW] Power	50.4 [14.8] 30.5 [8.9] 2.5	50.0 [14.6] 29.5 [8.6] 2.5	48.3 [14.2] 25.3 [7.4] 2.5	47.3 [13.9] 35.8 [10.5] 2.5	46.9 [13.7] 34.6 [10.1] 2.5	45.3 [13.3] 30.0 [8.8] 2.5	44.8 [13.1] 39.7 [11.6] 2.5	44.4 [13.0] 38.5 [11.3] 2.5	42.9 [12.6] 33.7 [9.9] 2.5
	85 [29.4]	Total BTUH [kW] Sens BTUH [kW] Power	49.0 [14.4] 29.8 [8.7] 2.7	48.6 [14.2] 28.8 [8.4] 2.7	46.9 [13.7] 24.7 [7.2] 2.6	45.9 [13.4] 35.0 [10.3] 2.7	45.5 [13.3] 33.9 [9.9] 2.7	43.9 [12.9] 29.4 [8.6] 2.6	43.4 [12.7] 39.0 [11.4] 2.7	43.0 [12.6] 37.8 [11.1] 2.7	41.5 [12.2] 33.0 [9.7] 2.6
	90 [32.2]	Total BTUH [kW] Sens BTUH [kW] Power	47.5 [13.9] 29.1 [8.5] 2.9	47.1 [13.8] 28.1 [8.2] 2.8	45.5 [13.3] 24.1 [7.1] 2.8	44.4 [13.0] 34.3 [10.0] 2.9	44.0 [12.9] 33.2 [9.7] 2.8	42.5 [12.5] 28.9 [8.5] 2.8	41.9 [12.3] 38.3 [11.2] 2.9	41.5 [12.2] 37.1 [10.9] 2.9	40.1 [11.7] 32.5 [9.5] 2.8
	95 [35]	Total BTUH [kW] Sens BTUH [kW] Power	46.0 [13.5] 28.4 [8.3] 3.0	45.6 [13.4] 27.4 [8.0] 3.0	44.0 [12.9] 23.5 [6.9] 3.0	42.8 [12.5] 33.5 [9.8] 3.0	42.5 [12.5] 32.5 [9.5] 3.0	41.0 [12.0] 28.2 [8.3] 3.0	40.3 [11.8] 37.5 [11.0] 3.0	40.0 [11.7] 36.4 [10.7] 3.0	38.6 [11.3] 31.9 [9.3] 3.0
	100 [37.8]	Total BTUH [kW] Sens BTUH [kW] Power	44.4 [13.0] 27.7 [8.1] 3.2	44.0 [12.9] 26.7 [7.8] 3.2	42.5 [12.5] 22.9 [6.7] 3.1	41.3 [12.1] 32.9 [9.6] 3.2	40.9 [12.0] 31.8 [9.3] 3.2	39.5 [11.6] 27.7 [8.1] 3.1	38.8 [11.4] 36.9 [10.8] 3.2	38.4 [11.3] 35.7 [10.5] 3.2	37.1 [10.9] 31.3 [9.2] 3.2
	105 [40.6]	Total BTUH [kW] Sens BTUH [kW] Power	42.7 [12.5] 26.9 [7.9] 3.4	42.4 [12.4] 26.0 [7.6] 3.4	40.9 [12.0] 22.3 [6.5] 3.3	39.6 [11.6] 32.0 [9.4] 3.4	39.3 [11.5] 31.0 [9.1] 3.4	37.9 [11.1] 26.9 [7.9] 3.3	37.1 [10.9] 36.0 [10.5] 3.4	36.8 [10.8] 34.9 [10.2] 3.4	35.5 [10.4] 30.6 [9.0] 3.3
	110 [43.3]	Total BTUH [kW] Sens BTUH [kW] Power	41.1 [12.0] 26.2 [7.7] 3.6	40.7 [11.9] 25.2 [7.4] 3.6	39.3 [11.5] 21.7 [6.4] 3.5	38.0 [11.1] 31.4 [9.2] 3.6	37.6 [11.0] 30.3 [8.9] 3.6	36.3 [10.6] 26.4 [7.7] 3.5	35.4 [10.4] 35.2 [10.3] 3.6	35.2 [10.3] 34.3 [10.0] 3.6	33.9 [9.9] 30.0 [8.8] 3.5
	115 [46.1]	Total BTUH [kW] Sens BTUH [kW] Power	39.4 [11.5] 25.4 [7.4] 3.8	39.0 [11.4] 24.5 [7.2] 3.8	37.7 [11.0] 21.1 [6.2] 3.7	36.2 [10.6] 30.4 [8.9] 3.8	35.9 [10.5] 29.5 [8.6] 3.8	34.7 [10.2] 25.8 [7.6] 3.7	33.7 [9.9] 33.7 [9.9] 3.8	33.4 [9.8] 33.4 [9.8] 3.8	32.3 [9.5] 29.4 [8.6] 3.7

DR —Depression ratio  
dbE —Entering air dry bulb  
wbE —Entering air wet bulb

Total —Total capacity x 1000 BTUH  
Sens —Sensible capacity x 1000 BTUH  
Power —KW input

NOTES: ① When the entering air dry bulb is other than 80°F [27°C], adjust the sensible capacity from the table by adding [1.10 x CFM x (1 – DR) x (dbE – 80)].

[ ] Designates Metric Conversions

## GROSS SYSTEMS PERFORMANCE DATA— RGEAZR048A(C/D)T

ENTERING INDOOR AIR @ 80°F [26.7°C] dbE ①											
wbE		71°F [21.7°C]			67°F [19.4°C]			63°F [17.2°C]			
CFM [L/s]		1800 [850]	1730 [817]	1400 [661]	1800 [850]	1730 [817]	1400 [661]	1800 [850]	1730 [817]	1400 [661]	
DR ①		0.19	0.2	0.24	0.19	0.2	0.24	0.19	0.2	0.24	
OUTDOOR DRY BULB TEMPERATURE °F [°C]	75 [23.9]	Total BTUH [kW] Sens BTUH [kW] Power	58.2 [17.1] 33.0 [9.7] 3.0	57.7 [16.9] 31.9 [9.3] 3.0	55.7 [16.3] 27.2 [8.0] 2.9	54.1 [15.9] 39.3 [11.5] 2.9	53.7 [15.7] 38.2 [11.2] 2.9	51.8 [15.2] 33.1 [9.7] 2.9	50.7 [14.9] 44.0 [12.9] 2.9	50.3 [14.7] 42.8 [12.5] 2.9	48.6 [14.2] 37.4 [11.0] 2.9
	80 [26.7]	Total BTUH [kW] Sens BTUH [kW] Power	56.9 [16.7] 32.5 [9.5] 3.1	56.5 [16.6] 31.5 [9.2] 3.1	54.5 [16.0] 26.9 [7.9] 3.1	52.8 [15.5] 38.9 [11.4] 3.1	52.4 [15.4] 37.8 [11.1] 3.1	50.6 [14.8] 32.8 [9.6] 3.0	49.4 [14.5] 43.5 [12.7] 3.0	49.1 [14.4] 42.4 [12.4] 3.0	47.4 [13.9] 37.1 [10.9] 3.0
	85 [29.4]	Total BTUH [kW] Sens BTUH [kW] Power	55.5 [16.3] 32.0 [9.4] 3.3	55.1 [16.1] 31.0 [9.1] 3.3	53.2 [15.6] 26.5 [7.8] 3.2	51.4 [15.1] 38.4 [11.3] 3.2	51.0 [14.9] 37.3 [10.9] 3.2	49.3 [14.4] 32.4 [9.5] 3.2	48.1 [14.1] 43.1 [12.6] 3.2	47.7 [14.0] 41.9 [12.3] 3.2	46.1 [13.5] 36.7 [10.8] 3.1
	90 [32.2]	Total BTUH [kW] Sens BTUH [kW] Power	54.0 [15.8] 31.4 [9.2] 3.4	53.6 [15.7] 30.4 [8.9] 3.4	51.8 [15.2] 26.1 [7.6] 3.3	49.9 [14.6] 37.7 [11.0] 3.4	49.5 [14.5] 36.6 [10.7] 3.4	47.8 [14.0] 31.8 [9.3] 3.3	46.6 [13.7] 42.5 [12.5] 3.3	46.2 [13.5] 41.3 [12.1] 3.3	44.6 [13.1] 36.2 [10.6] 3.3
	95 [35]	Total BTUH [kW] Sens BTUH [kW] Power	52.4 [15.4] 30.6 [9.0] 3.6	52.0 [15.2] 29.6 [8.7] 3.6	50.2 [14.7] 25.3 [7.4] 3.5	48.3 [14.2] 37.0 [10.8] 3.5	48.0 [14.1] 36.0 [10.5] 3.5	46.3 [13.6] 31.2 [9.1] 3.5	45.0 [13.2] 41.7 [12.2] 3.5	44.6 [13.1] 40.5 [11.9] 3.5	43.1 [12.6] 35.5 [10.4] 3.4
	100 [37.8]	Total BTUH [kW] Sens BTUH [kW] Power	50.7 [14.9] 29.8 [8.7] 3.8	50.3 [14.7] 28.8 [8.4] 3.7	48.6 [14.2] 24.7 [7.2] 3.7	46.6 [13.7] 36.1 [10.6] 3.7	46.3 [13.6] 35.1 [10.3] 3.7	44.7 [13.1] 30.5 [8.9] 3.7	43.3 [12.7] 40.9 [12.0] 3.7	43.0 [12.6] 39.8 [11.7] 3.7	41.5 [12.2] 34.9 [10.2] 3.6
	105 [40.6]	Total BTUH [kW] Sens BTUH [kW] Power	48.9 [14.3] 28.7 [8.4] 3.9	48.6 [14.2] 27.9 [8.2] 3.9	46.9 [13.7] 23.9 [7.0] 3.9	44.8 [13.1] 35.2 [10.3] 3.9	44.5 [13.0] 34.2 [10.0] 3.9	42.9 [12.6] 29.7 [8.7] 3.8	41.5 [12.2] 39.8 [11.7] 3.9	41.2 [12.1] 38.8 [11.4] 3.9	39.7 [11.6] 34.0 [10.0] 3.8
	110 [43.3]	Total BTUH [kW] Sens BTUH [kW] Power	47.0 [13.8] 27.7 [8.1] 4.1	46.7 [13.7] 26.9 [7.9] 4.1	45.0 [13.2] 23.0 [6.7] 4.1	42.9 [12.6] 34.0 [10.0] 4.1	42.6 [12.5] 33.1 [9.7] 4.1	41.1 [12.0] 28.8 [8.4] 4	39.6 [11.6] 38.8 [11.4] 4.1	39.3 [11.5] 37.8 [11.1] 4.1	37.9 [11.1] 33.2 [9.7] 4.0
	115 [46.1]	Total BTUH [kW] Sens BTUH [kW] Power	45.0 [13.2] 26.5 [7.8] 4.4	44.7 [13.1] 25.7 [7.5] 4.3	43.1 [12.6] 22.0 [6.4] 4.3	40.9 [12.0] 32.8 [9.6] 4.3	40.6 [11.9] 31.9 [9.3] 4.3	39.2 [11.5] 27.8 [8.1] 4.2	37.5 [11.0] 37.5 [11.0] 4.3	37.3 [10.9] 36.6 [10.7] 4.3	36.0 [10.5] 32.2 [9.4] 4.2

DR —Depression ratio  
dbE —Entering air dry bulb  
wbE —Entering air wet bulb

Total —Total capacity x 1000 BTUH  
Sens —Sensible capacity x 1000 BTUH  
Power —KW input

NOTES: ① When the entering air dry bulb is other than 80°F [27°C], adjust the sensible capacity from the table by adding [1.10 x CFM x (1 - DR) x (dbE - 80)].

[ ] Designates Metric Conversions

## GROSS SYSTEMS PERFORMANCE DATA – RGEAZR048AJT

ENTERING INDOOR AIR @ 80°F [26.7°C] dbE ①											
wbE		71°F [21.7°C]			67°F [19.4°C]			63°F [17.2°C]			
CFM [L/s]		1800 [850]	1730 [817]	1400 [661]	1800 [850]	1730 [817]	1400 [661]	1800 [850]	1730 [817]	1400 [661]	
DR ①		0.18	0.19	0.22	0.18	0.19	0.22	0.18	0.19	0.22	
OUTDOOR DRY BULB TEMPERATURE °F [°C]	75 [23.9]	Total BTUH [kW] Sens BTUH [kW] Power	58.7 [17.2] 33.5 [9.8] 3.0	58.3 [17.1] 32.5 [9.5] 3.0	56.3 [16.5] 27.8 [8.1] 3.0	54.6 [16.0] 39.8 [11.7] 3.0	54.2 [15.9] 38.7 [11.3] 3.0	52.4 [15.4] 33.6 [9.8] 2.9	51.3 [15.0] 44.6 [13.1] 3.0	50.9 [14.9] 43.4 [12.7] 3.0	49.2 [14.4] 38.0 [11.1] 2.9
	80 [26.7]	Total BTUH [kW] Sens BTUH [kW] Power	57.5 [16.8] 33.1 [9.7] 3.2	57.0 [16.7] 32.0 [9.4] 3.2	55.1 [16.1] 27.4 [8.0] 3.1	53.4 [15.6] 39.5 [11.6] 3.1	53.0 [15.5] 38.4 [11.3] 3.1	51.1 [15.0] 33.3 [9.8] 3.1	50.0 [14.6] 44.1 [12.9] 3.1	49.6 [14.5] 42.9 [12.6] 3.1	47.9 [14.0] 37.5 [11.0] 3.0
	85 [29.4]	Total BTUH [kW] Sens BTUH [kW] Power	56.1 [16.4] 32.6 [9.6] 3.3	55.7 [16.3] 31.6 [9.3] 3.3	53.7 [15.7] 2.07 [7.9] 3.2	52.0 [15.2] 39.0 [11.4] 3.3	51.6 [15.1] 37.9 [11.1] 3.3	49.8 [14.6] 32.9 [9.6] 3.2	48.6 [14.2] 43.6 [12.8] 3.2	48.3 [14.2] 42.5 [12.5] 3.2	46.6 [13.7] 37.2 [10.9] 3.2
	90 [32.2]	Total BTUH [kW] Sens BTUH [kW] Power	54.6 [16.0] 32.0 [9.4] 3.5	54.2 [15.9] 31.0 [9.1] 3.5	52.3 [15.3] 26.5 [7.8] 3.4	50.5 [14.8] 38.3 [11.2] 3.4	50.1 [14.7] 37.2 [10.9] 3.4	48.4 [14.2] 32.3 [9.5] 3.4	47.1 [13.8] 43.0 [12.6] 3.4	46.8 [13.7] 41.9 [12.3] 3.4	45.2 [13.2] 36.7 [10.8] 3.3
	95 [35]	Total BTUH [kW] Sens BTUH [kW] Power	53.0 [15.5] 31.2 [9.1] 3.6	52.6 [15.4] 30.2 [8.8] 3.6	50.8 [14.9] 25.9 [7.6] 3.6	48.9 [14.3] 37.6 [11.0] 3.6	48.5 [14.2] 36.5 [10.7] 3.6	46.8 [13.7] 31.7 [9.3] 3.5	45.5 [13.3] 42.2 [12.4] 3.6	45.2 [13.2] 41.1 [12.0] 3.6	43.6 [12.8] 36.0 [10.5] 3.5
	100 [37.8]	Total BTUH [kW] Sens BTUH [kW] Power	51.3 [15.0] 30.4 [8.9] 3.8	50.9 [14.9] 29.4 [8.6] 3.8	49.2 [14.4] 25.2 [7.4] 3.7	47.2 [13.8] 36.7 [10.8] 3.8	46.8 [13.7] 35.6 [10.4] 3.8	45.2 [13.2] 31.0 [9.1] 3.7	43.8 [12.8] 41.4 [12.1] 3.7	43.5 [12.7] 40.3 [11.8] 3.7	42.0 [12.3] 35.3 [10.3] 3.7
	105 [40.6]	Total BTUH [kW] Sens BTUH [kW] Power	49.5 [14.5] 29.3 [8.6] 4.0	49.1 [14.4] 28.4 [8.3] 4.0	47.4 [13.9] 24.3 [7.1] 3.9	45.4 [13.3] 35.8 [10.5] 4.0	45.0 [13.2] 34.7 [10.2] 3.9	43.5 [12.7] 30.2 [8.8] 3.9	42.0 [12.3] 40.3 [11.8] 3.9	41.7 [12.2] 39.3 [11.5] 3.9	40.3 [11.8] 34.5 [10.1] 3.8
	110 [43.3]	Total BTUH [kW] Sens BTUH [kW] Power	47.6 [13.9] 28.3 [8.3] 4.2	47.2 [13.8] 27.4 [8.0] 4.2	45.6 [13.4] 23.5 [6.9] 4.1	43.5 [12.7] 34.6 [10.1] 4.2	43.2 [12.7] 33.7 [9.9] 4.1	41.7 [12.2] 29.3 [8.6] 4.1	40.1 [11.7] 39.3 [11.5] 4.1	39.8 [11.7] 38.3 [11.2] 4.1	38.5 [11.3] 33.7 [9.9] 4
	115 [46.1]	Total BTUH [kW] Sens BTUH [kW] Power	45.6 [13.4] 27.1 [7.9] 4.4	45.2 [13.2] 26.2 [7.7] 4.4	43.7 [12.8] 22.5 [6.6] 4.3	41.5 [12.2] 33.4 [9.8] 4.4	41.1 [12.0] 32.4 [9.5] 4.4	39.7 [11.6] 28.2 [8.3] 4.3	38.1 [11.2] 38.1 [11.2] 4.3	37.8 [11.1] 37.1 [10.9] 4.3	36.5 [10.7] 32.6 [9.6] 4.2

DR —Depression ratio  
dbE —Entering air dry bulb  
wbE—Entering air wet bulb

Total —Total capacity x 1000 BTUH  
Sens —Sensible capacity x 1000 BTUH  
Power —KW input

NOTES: ① When the entering air dry bulb is other than 80°F [27°C], adjust the sensible capacity from the table by adding [1.10 x CFM x (1 – DR) x (dbE – 80)].

[ ] Designates Metric Conversions

## GROSS SYSTEMS PERFORMANCE DATA—RGEAZR060A(C/D)T

ENTERING INDOOR AIR @ 80°F [26.7°C] dbE ①											
wbE		71°F [21.7°C]			67°F [19.4°C]			63°F [17.2°C]			
CFM [L/s]		2100 [991]	1700 [802]	1600 [755]	2100 [991]	1700 [802]	1600 [755]	2100 [991]	1700 [802]	1600 [755]	
DR ①		0.03	0.09	0.1	0.03	0.09	0.1	0.03	0.09	0.1	
OUTDOOR DRY BULB TEMPERATURE °F [°C]	75 [23.9]	Total BTUH [kW] Sens BTUH [kW] Power	73.8 [21.6] 47.1 [13.8] 3.8	70.7 [20.7] 39.3 [11.5] 3.7	70.0 [20.5] 37.5 [11.0] 3.7	68.8 [20.2] 54.5 [16.0] 3.7	66.0 [19.3] 46.3 [13.6] 3.6	65.2 [19.1] 44.3 [13.0] 3.6	64.4 [18.9] 60.9 [17.8] 3.6	61.7 [18.1] 52.2 [15.3] 3.6	61.1 [17.9] 50.2 [14.7] 3.6
	80 [26.7]	Total BTUH [kW] Sens BTUH [kW] Power	71.9 [21.1] 46.1 [13.5] 3.9	68.9 [20.2] 38.5 [11.3] 3.8	68.2 [20.0] 36.8 [10.8] 3.8	66.9 [19.6] 53.4 [15.6] 3.9	64.1 [18.8] 45.3 [13.3] 3.8	63.4 [18.6] 43.4 [12.7] 3.8	62.5 [18.3] 59.9 [17.6] 3.8	59.9 [17.6] 51.4 [15.1] 3.7	59.3 [17.4] 49.4 [14.5] 3.7
	85 [29.4]	Total BTUH [kW] Sens BTUH [kW] Power	69.9 [20.5] 44.8 [13.1] 4.1	67.0 [19.6] 37.5 [11.0] 4.0	66.3 [19.4] 35.8 [10.5] 4.0	64.9 [19.0] 52.3 [15.3] 4.1	62.2 [18.2] 44.4 [13.0] 4.0	61.5 [18.0] 42.5 [12.5] 4.0	60.5 [17.7] 58.7 [17.2] 4.0	58.0 [17.0] 50.4 [14.8] 3.9	57.4 [16.8] 48.4 [14.2] 3.9
	90 [32.2]	Total BTUH [kW] Sens BTUH [kW] Power	67.8 [19.9] 43.5 [12.7] 4.3	65.0 [19.0] 36.4 [10.7] 4.2	64.3 [18.8] 34.7 [10.2] 4.2	62.8 [18.4] 50.9 [14.9] 4.3	60.2 [17.6] 43.3 [12.7] 4.2	59.6 [17.5] 41.5 [12.2] 4.2	58.4 [17.1] 57.4 [16.8] 4.2	56.0 [16.4] 49.3 [14.4] 4.1	55.4 [16.2] 47.4 [13.9] 4.1
	95 [35]	Total BTUH [kW] Sens BTUH [kW] Power	65.6 [19.2] 42.1 [12.3] 4.5	62.9 [18.4] 35.2 [10.3] 4.4	62.3 [18.3] 33.7 [9.9] 4.4	60.6 [17.8] 49.5 [14.5] 4.5	58.1 [17.0] 42.1 [12.3] 4.4	57.5 [16.8] 40.4 [11.8] 4.4	56.2 [16.5] 55.9 [16.4] 4.4	53.9 [15.8] 48.1 [14.1] 4.3	53.3 [15.6] 46.2 [13.5] 4.3
	100 [37.8]	Total BTUH [kW] Sens BTUH [kW] Power	63.4 [18.6] 40.7 [11.9] 4.8	60.8 [17.8] 34.1 [10.0] 4.7	60.1 [17.6] 32.5 [9.5] 4.6	58.4 [17.1] 48.1 [14.1] 4.7	56.0 [16.4] 40.9 [12.0] 4.6	55.4 [16.2] 39.2 [11.5] 4.6	54.0 [15.8] 54.0 [15.8] 4.7	51.8 [15.2] 47.0 [13.8] 4.6	51.2 [15.0] 45.1 [13.2] 4.5
	105 [40.6]	Total BTUH [kW] Sens BTUH [kW] Power	61.0 [17.9] 39.1 [11.5] 5.0	58.5 [17.1] 32.7 [9.6] 4.9	57.9 [17.0] 31.2 [9.1] 4.9	56.1 [16.4] 46.5 [13.6] 5.0	53.8 [15.8] 39.6 [11.6] 4.9	53.2 [15.6] 37.9 [11.1] 4.8	51.7 [15.1] 51.7 [15.1] 4.9	49.5 [14.5] 45.6 [13.4] 4.8	49.0 [14.4] 43.9 [12.9] 4.8
	110 [43.3]	Total BTUH [kW] Sens BTUH [kW] Power	58.6 [17.2] 37.4 [11.0] 5.3	56.2 [16.5] 31.3 [9.2] 5.2	55.6 [16.3] 29.9 [8.8] 5.1	53.6 [15.7] 44.7 [13.1] 5.2	51.4 [15.1] 38.1 [11.2] 5.1	50.9 [14.9] 36.6 [10.7] 5.1	49.2 [14.4] 49.2 [14.4] 5.2	47.2 [13.8] 44.2 [13.0] 5.1	46.7 [13.7] 42.5 [12.5] 5.0
	115 [46.1]	Total BTUH [kW] Sens BTUH [kW] Power	56.1 [16.4] 35.6 [10.4] 5.5	53.8 [15.8] 29.8 [8.7] 5.4	53.3 [15.6] 28.5 [8.4] 5.4	51.1 [15.0] 42.9 [12.6] 5.5	49.0 [14.4] 36.6 [10.7] 5.4	48.5 [14.2] 35.1 [10.3] 5.3	46.7 [13.7] 46.7 [13.7] 5.4	44.8 [13.1] 42.7 [12.5] 5.3	44.3 [13.0] 41.0 [12.0] 5.3

DR —Depression ratio  
dbE —Entering air dry bulb  
wbE—Entering air wet bulb

Total —Total capacity x 1000 BTUH  
Sens —Sensible capacity x 1000 BTUH  
Power —KW input

NOTES: ① When the entering air dry bulb is other than 80°F [27°C], adjust the sensible capacity from the table by adding [1.10 x CFM x (1 - DR) x (dbE - 80)].

[ ] Designates Metric Conversions

## GROSS SYSTEMS PERFORMANCE DATA – RGEAZR060AJT

ENTERING INDOOR AIR @ 80°F [26.7°C] dbE ①											
wbE		71°F [21.7°C]			67°F [19.4°C]			63°F [17.2°C]			
CFM [L/s]		2100 [991]	1700 [802]	1600 [755]	2100 [991]	1700 [802]	1600 [755]	2100 [991]	1700 [802]	1600 [755]	
DR ①		0.02	0.08	0.09	0.02	0.08	0.09	0.02	0.08	0.09	
OUTDOOR DRY BULB TEMPERATURE °F [°C]	75 [23.9]	Total BTUH [kW] Sens BTUH [kW] Power	74.2 [21.7] 47.5 [13.9] 3.8	71.2 [20.9] 39.8 [11.7] 3.7	70.4 [20.6] 37.9 [11.1] 3.7	69.2 [20.3] 54.9 [16.1] 3.7	66.4 [19.5] 46.7 [13.7] 3.6	65.7 [19.2] 44.7 [13.1] 3.6	64.8 [19.0] 61.4 [18.0] 3.7	62.2 [18.2] 52.7 [15.4] 3.6	61.5 [18.0] 50.6 [14.8] 3.6
	80 [26.7]	Total BTUH [kW] Sens BTUH [kW] Power	72.3 [21.2] 46.5 [13.6] 3.9	69.4 [20.3] 39.0 [11.4] 3.9	68.6 [20.1] 37.2 [10.9] 3.8	67.3 [19.7] 53.8 [15.8] 3.9	64.6 [18.9] 45.8 [13.4] 3.8	63.9 [18.7] 43.9 [12.9] 3.8	62.9 [18.4] 60.4 [17.7] 3.8	60.3 [17.7] 51.8 [15.2] 3.8	59.7 [17.5] 49.8 [14.6] 3.7
	85 [29.4]	Total BTUH [kW] Sens BTUH [kW] Power	70.3 [20.6] 45.3 [13.3] 4.1	67.4 [19.7] 37.9 [11.1] 4.0	66.7 [19.5] 36.2 [10.6] 4.0	65.3 [19.1] 52.7 [15.4] 4.1	62.7 [18.4] 44.9 [13.2] 4.0	62.0 [18.2] 43.0 [12.6] 4.0	60.9 [17.8] 59.2 [17.3] 4.0	58.4 [17.1] 50.8 [14.9] 3.9	57.8 [16.9] 48.8 [14.3] 3.9
	90 [32.2]	Total BTUH [kW] Sens BTUH [kW] Power	68.2 [20.0] 43.9 [12.9] 4.3	65.4 [19.2] 36.8 [10.8] 4.2	64.7 [19.0] 35.1 [10.3] 4.2	63.3 [18.5] 51.5 [15.1] 4.3	60.7 [17.8] 43.8 [12.8] 4.2	60.0 [17.6] 41.9 [12.3] 4.2	58.9 [17.3] 57.9 [17.0] 4.2	56.4 [16.5] 49.7 [14.6] 4.1	55.8 [16.3] 47.8 [14.0] 4.1
	95 [35]	Total BTUH [kW] Sens BTUH [kW] Power	66.1 [19.4] 42.6 [12.5] 4.5	63.4 [18.6] 35.7 [10.5] 4.5	62.7 [18.4] 34.0 [10.0] 4.4	61.1 [17.9] 50.1 [14.7] 4.5	58.6 [17.2] 42.6 [12.5] 4.4	58.0 [17.0] 40.8 [12.0] 4.4	56.7 [16.6] 56.5 [16.6] 4.4	54.4 [15.9] 48.6 [14.2] 4.4	53.8 [15.8] 46.7 [13.7] 4.3
	100 [37.8]	Total BTUH [kW] Sens BTUH [kW] Power	63.8 [18.7] 41.2 [12.1] 4.8	61.2 [17.9] 34.5 [10.1] 4.7	60.6 [17.8] 33.0 [9.7] 4.7	58.9 [17.3] 48.6 [14.2] 4.7	56.4 [16.5] 41.3 [12.1] 4.6	55.8 [16.3] 39.6 [11.6] 4.6	54.5 [16.0] 54.5 [16.0] 4.7	52.2 [15.3] 47.4 [13.9] 4.6	51.7 [15.1] 45.6 [13.4] 4.6
	105 [40.6]	Total BTUH [kW] Sens BTUH [kW] Power	61.5 [18.0] 39.6 [11.6] 5.0	59.0 [17.3] 33.2 [9.7] 4.9	58.4 [17.1] 31.7 [9.3] 4.9	56.5 [16.6] 46.9 [13.7] 5.0	54.2 [15.9] 40.0 [11.7] 4.9	53.6 [15.7] 38.3 [11.2] 4.8	52.1 [15.3] 52.1 [15.3] 4.9	50.0 [14.6] 46.1 [13.5] 4.8	49.4 [14.5] 44.3 [13.0] 4.8
	110 [43.3]	Total BTUH [kW] Sens BTUH [kW] Power	59.1 [17.3] 38.0 [11.1] 5.3	56.7 [16.6] 31.8 [9.3] 5.2	56.1 [16.4] 30.3 [8.9] 5.1	54.1 [15.9] 45.3 [13.3] 5.2	51.9 [15.2] 38.6 [11.3] 5.1	51.3 [15.0] 37.0 [10.8] 5.1	49.7 [14.6] 49.7 [14.6] 5.2	47.7 [14.0] 44.7 [13.1] 5.1	47.2 [13.8] 43.0 [12.6] 5.0
	115 [46.1]	Total BTUH [kW] Sens BTUH [kW] Power	56.6 [16.6] 36.2 [10.6] 5.6	54.3 [15.9] 30.3 [8.9] 5.4	53.7 [15.7] 28.9 [8.5] 5.4	51.6 [15.1] 43.5 [12.7] 5.5	49.5 [14.5] 37.1 [10.9] 5.4	49.0 [14.4] 35.6 [10.4] 5.4	47.2 [13.8] 47.2 [13.8] 5.4	45.3 [13.3] 43.2 [12.7] 5.3	44.8 [13.1] 41.5 [12.2] 5.3

DR —Depression ratio  
dbE —Entering air dry bulb  
wbE—Entering air wet bulb

Total —Total capacity x 1000 BTUH  
Sens —Sensible capacity x 1000 BTUH  
Power—KW input

NOTES: ① When the entering air dry bulb is other than 80°F [27°C], adjust the sensible capacity from the table by adding [1.10 x CFM x (1 – DR) x (dbE – 80)].

[ ] Designates Metric Conversions



**INDOOR AIRFLOW PERFORMANCE RGEAZR (208/230V, 1-PHASE) CONSTANT TORQUE MOTOR (Con't.)**

Nominal Cooling Capacity Tons [kW]	Motor Speed from Factory		Recommended Speed Tap for Field Installed Heater Kit	Manufacturer Recommended Cooling Airflow (Min/Max)	Blower Size, Motor HP [W] & # of Speeds	Motor Tap - Usage	External Static Pressure - Inches W.C. [kPa]										
	Cool	Heat					0.1 [.02]	0.2 [.05]	0.3 [.07]	0.4 [.10]	0.5 [.12]	0.6 [.15]	0.7 [.17]	0.8 [.20]	0.9 [.22]	1.0 [.25]	
3.0 [10.55]	Tap 3			1050 CFM / 1350 CFM	12x9T Blower 1 HP [746] 5 Speed (Constant Torque)	Tap 1 - FAN	CFM	977	915	833	764	700	557	475	398	338	295
							RPM	609	649	709	766	806	846	880	901	911	934
							Watts	115	118	130	141	147	154	159	164	165	167
						Tap 2 - 60K	CFM	1058	1020	963	885	831	765	682	586	526	445
							RPM	646	680	725	795	832	875	912	953	970	988
							Watts	140	145	156	170	176	185	191	201	204	207
		Tap 2 - 80K	CFM	1347	1314	1279	1245	1198	1128	1083	1038	985	923				
			RPM	773	809	837	870	907	955	989	1037	1069	1107				
			Watts	255	270	276	287	297	313	320	335	344	356				
		Tap 2 - 100K	CFM	1442	1417	1386	1349	1312	1252	1195	1143	1086	1044				
			RPM	828	857	885	918	946	988	1028	1063	1094	1123				
			Watts	313	323	332	343	353	367	380	390	402	412				
	Tap 3 - Low Static Cool	CFM	1336	1297	1264	1225	1188	1105	1043	984	931	867					
		RPM	771	804	837	866	897	952	988	1022	1056	1083					
		Watts	249	259	271	278	285	300	315	319	328	337					
	Tap 4 - Med Static Cool *	CFM	1486	1449	1418	1386	1351	1311	1240	1189	1135	1098					
		RPM	840	874	902	930	958	988	1036	1069	1100	1130					
		Watts	332	344	353	364	374	384	398	412	422	433					
	Tap 5 - High Static Cool	CFM	1517	1493	1465	1429	1401	1364	1294	1249	1203	1148					
		RPM	868	893	922	947	973	1003	1052	1088	1113	1145					
		Watts	362	371	380	391	400	411	430	443	453	462					

**NOTES:** 1. FOR CONSTANT TORQUE MOTORS: Use motor taps 3-5 to achieve rated airflow at AHRI minimum external static pressure.

(a) Use \* marked tap for AHRI 210/240-2023

(b) Use \*\* marked tap for AHRI 210/240-2017

2. Grayed out portions not recommended for use in field.

DOWN DISCHARGE PRESSURE DROP (ADD TO EXTERNAL STATIC PRESSURE)				
CFM [L/s]	800 [378]	1000 [472]	1200 [566]	2000 [944]
Pressure Drop—Includes W.C. [kPa]	.02 [.005]	.05 [.012]	.12 [.030]	.17 [.042]

[ ] Designates Metric Conversions



# INDOOR AIRFLOW PERFORMANCE RGEAZR (208/230V, 1-PHASE) CONSTANT TORQUE MOTOR (Con't.)

Nominal Cooling Capacity Tons [kW]	Motor Speed from Factory		Recommended Speed Tap for Field Installed Heater Kit	Manufacturer Recommended Cooling Airflow (Min/Max)	Blower Size, Motor HP [W] & # of Speeds	Motor Tap - Usage	External Static Pressure - Inches W.C. [kPa] (Side Discharge-Dry Coil)									
	Cool	Heat					0.1 [0.02]	0.2 [0.05]	0.3 [0.07]	0.4 [0.10]	0.5 [0.12]	0.6 [0.15]	0.7 [0.17]	0.8 [0.20]	0.9 [0.22]	1.0 [0.25]
							CFM	RPM	Watts	CFM	RPM	Watts	CFM	RPM	Watts	CFM
3.5 [12.31]	Tap 3			1225 CFM / 1575 CFM	12x9T Blower 3/4 HP [559] 5 Speed (Constant Torque)	Tap 1 - FAN	992	903	804	723	629	525	455	375	333	296
							589	622	680	725	761	814	837	855	883	915
							106	110	119	127	132	141	145	146	152	157
							1440	1390	1354	1309	1257	1194	1136	1040	987	923
							767	801	828	861	896	937	973	1021	1047	1073
							266	276	283	292	304	317	327	342	350	360
							1465	1414	1370	1334	1290	1228	1164	1100	1032	978
							775	810	841	869	899	938	974	1011	1048	1074
							277	287	297	305	314	327	337	349	362	371
							1557	1517	1475	1436	1398	1352	1306	1245	1178	1119
4.0 [14.07]	Tap 3 - Low Stage Tap 4 - High Stage			1400 CFM / 1800 CFM	12x9R Blower 1 HP [746] 5 Speed (Constant Torque)	Tap 2 - 80K	519	530	540	562	562	577	586	583	570	531
							1013	866	781	695	561	493	427	371	322	268
							116	104	108	116	120	125	130	134	140	144
							590	597	644	689	720	755	785	816	847	875
							1349	1306	1264	1220	1169	1108	1046	990	938	883
							733	766	791	820	848	882	913	937	964	999
							232	241	248	256	264	273	281	288	296	306
							1416	1383	1340	1293	1253	1201	1141	1080	1015	977
							764	790	819	847	873	902	936	963	990	1012
							266	273	282	291	298	307	317	324	333	340
1354	1316	1273	1229	1179	1121	1062	997	954	891							
745	773	802	826	856	888	919	945	968	1007							
239	247	255	260	270	280	287	295	301	312							
1769	1734	1706	1665	1634	1595	1560	1526	1481	1444							
903	931	953	980	999	1028	1048	1071	1094	1117							
468	481	490	500	511	524	532	543	554	566							
1966	1938	1916	1882	1855	1822	1803	1778	1739	1700							
1003	1027	1047	1070	1091	1115	1128	1150	1172	1195							
657	670	682	695	707	721	730	742	756	769							

[ ] Designates Metric Conversions

**INDOOR AIRFLOW PERFORMANCE RGEAZR (208/230V, 1-PHASE) CONSTANT TORQUE MOTOR (Con't.)**

Nominal Cooling Capacity Tons [kW]	Motor Speed from Factory		Recommended Speed Tap for Field Installed Heater Kit	Manufacturer Recommended Cooling Airflow (Min/Max)	Blower Size, Motor HP [W] & # of Speeds	Motor Tap - Usage	External Static Pressure - Inches W.C. [kPa]											
	Cool	Heat					0.1 [.02]	0.2 [.05]	0.3 [.07]	0.4 [.10]	0.5 [.12]	0.6 [.15]	0.7 [.17]	0.8 [.20]	0.9 [.22]	1.0 [.25]		
5.0 [17.59]		Tap 3 - Low Stage	80,000 [23.45]	1750 CFM / 2250 CFM	12x9R Blower 1 HP [746] 5 Speed (Constant Torque)	Tap 1 - FAN	CFM	999	856	786	694	575	502	428	379	331	280	
							RPM	590	599	640	681	715	752	789	814	847	871	
		Tap 2					CFM	1373	1328	1291	1244	1197	1144	1088	1032	978	931	
							RPM	742	773	804	833	862	895	926	953	977	1001	
							Watts	247	255	264	273	281	291	300	308	315	323	
		Tap 3 - Low Stage					CFM	1438	1392	1356	1318	1273	1223	1172	1115	1056	1009	
							RPM	772	801	832	856	883	915	945	975	1000	1026	
		Tap 4 - High Stage					Watts	278	288	297	306	313	324	334	343	351	359	
							CFM	1419	1381	1350	1301	1256	1207	1140	1086	1035	977	
						RPM	763	791	817	847	876	909	943	970	995	1020		
						Watts	268	277	285	295	304	314	323	332	340	348		
						CFM	1938	1904	1873	1841	1813	1811	1754	1726	1694	1661		
						RPM	976	1002	1019	1043	1063	1065	1107	1130	1159	1180		
						Watts	622	638	645	657	669	670	693	707	725	737		
						CFM	2138	2106	2084	2050	2025	1990	1963	1943	1914	1891		
						RPM	1057	1075	1094	1117	1134	1162	1186	1206	1229	1245		
						Watts	823	833	848	860	873	891	908	924	941	953		

**NOTES:** 1. FOR CONSTANT TORQUE MOTORS: Use motor taps 3-5 to achieve rated airflow at AHRI minimum external static pressure.

(a) Use \* marked tap for AHRI 210/240-2023

(b) Use \*\* marked tap for AHRI 210/240-2017

2. Grayed out portions not recommended for use in field.

DOWN DISCHARGE PRESSURE DROP (ADD TO EXTERNAL STATIC PRESSURE)					
CFM [L/s]	800 [378]	1000 [472]	1200 [566]	1600 [755]	2000 [944]
Pressure Drop—Includes W.C. [kPa]	.02 [.005]	.05 [.012]	.07 [.017]	.12 [.030]	.17 [.042]

[ ] Designates Metric Conversions

# INDOOR AIRFLOW PERFORMANCE RGEAZR (208/230V, 3-PHASE) CONSTANT TORQUE MOTOR

Nominal Cooling Capacity Tons [kW]	Motor Speed from Factory		Recommended Speed Tap for Field Installed Heater Kit	Manufacturer Recommended Cooling Airflow (Min/Max)	Blower Size, Motor HP [W] & # of Speeds	Motor Tap - Usage	External Static Pressure - Inches W.C. [kPa] (Side Discharge-Dry Coil)									
	Cool	Heat					0.1 [.02]	0.2 [.05]	0.3 [.07]	0.4 [.10]	0.5 [.12]	0.6 [.15]	0.7 [.17]	0.8 [.20]	0.9 [.22]	1.0 [.25]
							CFM	RPM	Watts	CFM	RPM	Watts	CFM	RPM	Watts	CFM
3.0 [10.55]		Tap 2	60,000 [17.58]	1050 CFM / 1350 CFM	12x9T Blower 1 HP [746] 5 Speed (Constant Torque)	Tap 1 - FAN	977	649	833	764	700	557	475	398	338	295
							609	115	709	766	806	846	880	901	911	934
							115	118	130	141	147	154	159	164	165	167
	Tap 2	Tap 2 - 60K	1058	1020		963	885	831	765	682	586	526	445			
			646	680		725	795	832	875	912	953	970	988			
			140	145		156	170	176	185	191	201	204	207			
	Tap 3	Tap 2	80,000 [23.45]	1050 CFM / 1350 CFM		1347	809	837	870	907	955	989	1037	1069	1107	
						773	255	270	287	297	313	320	335	344	356	
						255	1442	1417	1386	1349	1312	1252	1195	1143	1086	1044
	Tap 3	Tap 2	100,000 [29.31]	1050 CFM / 1350 CFM		828	857	885	918	946	988	1028	1063	1094	1123	
						313	323	332	343	353	367	380	390	402	412	
						1336	1297	1264	1225	1188	1105	1043	984	931	867	
	Tap 3	Tap 2	100,000 [29.31]	1050 CFM / 1350 CFM		771	804	837	866	897	952	988	1022	1056	1083	
						249	259	271	278	285	300	315	319	328	337	
						1486	1449	1418	1386	1351	1311	1240	1189	1135	1098	
Tap 3	Tap 2	100,000 [29.31]	1050 CFM / 1350 CFM	840	874	902	930	958	988	1036	1069	1100	1130			
				332	344	353	364	374	384	398	412	422	433			
				1517	1493	1465	1429	1401	1364	1294	1249	1203	1148			
Tap 3	Tap 2	100,000 [29.31]	1050 CFM / 1350 CFM	868	893	922	947	973	1003	1052	1088	1113	1145			
				362	371	380	391	400	411	430	443	453	462			

[ ] Designates Metric Conversions

**INDOOR AIRFLOW PERFORMANCE RGEAZR (208/230V, 3-PHASE) CONSTANT TORQUE MOTOR (Con't.)**

Nominal Cooling Capacity Tons [kW]	Motor Speed from Factory		Recommended Speed Tap for Field Installed Heater Kit	Manufacturer Recommended Cooling Airflow (Min/Max)	Blower Size, Motor HP [W] & # of Speeds	Motor Tap - Usage	External Static Pressure - Inches W.C. [kPa]										
	Cool	Heat					0.1 [.02]	0.2 [.05]	0.3 [.07]	0.4 [.10]	0.5 [.12]	0.6 [.15]	0.7 [.17]	0.8 [.20]	0.9 [.22]	1.0 [.25]	
3.5 [12.31]		Tap 2	80,000 [23.45]	1225 CFM / 1575 CFM	12x9T Blower 3/4 HP [559] 5 Speed (Constant Torque)	Tap 1 - FAN	CFM 992	903	804	723	629	525	455	375	333	296	
						Watts 589	622	680	725	761	814	837	855	883	915		
	Tap 2	80,000 [23.45]				Tap 2 - 80K	CFM 1440	1390	1354	1309	1257	1194	1136	1040	987	923	
						Watts 767	801	828	861	896	937	973	1021	1047	1073		
	Tap 3		100,000 [29.31]			Tap 2 - 100K	CFM 1465	1414	1370	1334	1290	1228	1164	1100	1032	978	
						Watts 775	810	841	869	899	938	974	1011	1048	1074		
	Tap 3						Tap 3 - Low Static Cool	CFM 1557	1517	1475	1436	1398	1352	1306	1245	1178	1119
							Watts 821	849	882	908	936	966	997	1033	1068	1102	
	Tap 3						Tap 4 - Med Static Cool**	CFM 1703	1659	1624	1589	1549	1508	1469	1424	1351	1263
							Watts 330	339	350	360	370	381	390	403	415	428	
Tap 3						Tap 5 - High Static Cool	CFM 870	900	926	952	979	1009	1033	1062	1102	1121	
						Watts 407	418	430	439	451	462	472	483	497	484		
Tap 3						Tap 5 - High Static Cool	CFM 1832	1807	1775	1740	1704	1672	1639	1583	1505	1348	
						Watts 940	961	984	1009	1033	1061	1083	1103	1119	1136		
Tap 3						Watts 519	530	540	552	562	577	586	583	570	531		

**NOTES:** 1. FOR CONSTANT TORQUE MOTORS: Use motor taps 3-5 to achieve rated airflow at AHRI minimum external static pressure.

(a) Use \* marked tap for AHRI 210/240-2023

(b) Use \*\* marked tap for AHRI 210/240-2017

2. Grayed out portions not recommended for use in field.

**DOWN DISCHARGE PRESSURE DROP (ADD TO EXTERNAL STATIC PRESSURE)**

CFM [L/s]	800 [378]	1000 [472]	1200 [566]	1600 [755]	1800 [849]	2000 [944]
Pressure Drop—Includes W.C. [kPa]	.02 [.005]	.05 [.012]	.07 [.017]	.12 [.030]	.15 [.037]	.17 [.042]

[ ] Designates Metric Conversions

# INDOOR AIRFLOW PERFORMANCE RGEAZR (208/230V, 3-PHASE) CONSTANT TORQUE MOTOR (Con't.)

Nominal Cooling Capacity Tons [KW]	Motor Speed from Factory		Recommended Speed Tap for Field Installed Heater Kit	Manufacturer Recommended Cooling Airflow (Min/Max)	Blower Size, Motor HP [W] & # of Speeds	Motor Tap - Usage	External Static Pressure - Inches W.C. [kPa] (Side Discharge-Dry Coil)										
	Cool	Heat					0.1 [.02]	0.2 [.05]	0.3 [.07]	0.4 [.10]	0.5 [.12]	0.6 [.15]	0.7 [.17]	0.8 [.20]	0.9 [.22]	1.0 [.25]	
							CFM	RPM	Watts	CFM	RPM	Watts	CFM	RPM	Watts	CFM	RPM
4.0 [14.07]		Tap 2	80,000 [23.45]	1400 CFM / 1800 CFM	12x9T Blower 1 HP [746] 5 Speed (Constant Torque)	Tap 1 - FAN	893	618	671	721	760	805	829	851	873	913	
							1015	591	114	120	127	133	136	140	144	150	
		Tap 2	Tap 2 - 80K				Tap 2 - 100K	1357	1357	1314	1269	1218	1159	1092	1014	952	883
								751	783	815	844	876	914	953	994	1025	1059
		Tap 3 - Low Stage	Tap 2	100,000 [29.31]			Tap 3 - Low Stage Cool	239	247	255	263	272	282	293	304	313	324
								1467	1429	1382	1337	1301	1246	1171	1120	1047	990
		Tap 4 - High Stage	Tap 4				Tap 4 - High Stage Cool	786	812	847	878	902	936	979	1012	1049	1078
								272	280	291	298	305	316	330	340	351	362
		Tap 4 - High Stage	Tap 4				Tap 4 - High Stage Cool	1306	1257	1203	1159	1103	1027	953	879	813	751
								716	750	766	817	854	897	937	971	998	1033
	Tap 5 - High Stage Cool**	Tap 5			Tap 5 - High Stage Cool**	201	209	218	225	235	245	253	263	265	278		
						1790	1755	1719	1686	1653	1611	1580	1539	1493	1358		
	High Static	Tap 5			High Static	918	944	969	996	1020	1050	1069	1097	1124	1144		
						455	466	478	489	499	512	520	530	543	511		
	High Static	Tap 5			High Static	1869	1835	1800	1768	1729	1692	1653	1605	1536	1358		
						942	970	992	1018	1044	1076	1101	1120	1130	1144		
	High Static	High Static			High Static	506	518	529	541	550	568	578	579	563	518		

[ ] Designates Metric Conversions

**INDOOR AIRFLOW PERFORMANCE RGEAZR (208/230V, 1-PHASE) CONSTANT TORQUE MOTOR (Con't.)**

Nominal Cooling Capacity Tons [kW]	Motor Speed from Factory		Recommended Speed Tap for Field Installed Heater Kit	Manufacturer Recommended Cooling Airflow (Min/Max)	Blower Size, Motor HP [W] & # of Speeds	Motor Tap - Usage	External Static Pressure - Inches W.C. [kPa]										
	Cool	Heat					0.1 [.02]	0.2 [.05]	0.3 [.07]	0.4 [.10]	0.5 [.12]	0.6 [.15]	0.7 [.17]	0.8 [.20]	0.9 [.22]	1.0 [.25]	
5.0 [17.59]		Tap 2	80,000 [23.45]	1750 CFM / 2250 CFM	12x9R Blower 1 HP [746] 5 Speed (Constant Torque)	Tap 1 - FAN	CFM 999	856	786	694	575	502	428	379	331	280	
						Watts 590	599	640	681	715	752	789	814	847	871		
	Tap 3 - Low Stage	Tap 2	100,000 [29.31]	1750 CFM / 2250 CFM	12x9R Blower 1 HP [746] 5 Speed (Constant Torque)	Tap 2 - 80K	CFM 1373	1328	1291	1244	1197	1144	1088	1032	978	931	
						Watts 742	773	804	833	862	895	926	953	977	1001		
	Tap 4 - High Stage	Tap 2	100,000 [29.31]	1750 CFM / 2250 CFM	12x9R Blower 1 HP [746] 5 Speed (Constant Torque)	Tap 2 - 100K	CFM 1438	1392	1356	1318	1273	1223	1172	1115	1056	1009	
						Watts 772	801	832	856	883	915	945	975	1000	1026		
	Tap 4 - High Stage	Tap 3 - Low Stage	Tap 3 - High Stage	100,000 [29.31]	1750 CFM / 2250 CFM	12x9R Blower 1 HP [746] 5 Speed (Constant Torque)	Tap 3 - Low Stage Cool	CFM 1355	1316	1276	1227	1165	1111	1041	990	928	873
							Watts 735	764	793	826	854	885	914	936	962	992	
	Tap 4 - High Stage	Tap 3 - Low Stage	Tap 3 - High Stage	100,000 [29.31]	1750 CFM / 2250 CFM	12x9R Blower 1 HP [746] 5 Speed (Constant Torque)	Tap 3 - High Stage Cool	CFM 1845	1812	1779	1749	1711	1691	1654	1624	1581	1546
							Watts 237	245	253	262	268	277	284	289	296	302	
Tap 4 - High Stage	Tap 3 - Low Stage	Tap 3 - High Stage	100,000 [29.31]	1750 CFM / 2250 CFM	12x9R Blower 1 HP [746] 5 Speed (Constant Torque)	Tap 4 - High Stage Med Static	RPM 941	963	983	1009	1035	1054	1077	1098	1127	1152	
						Watts 537	549	559	570	584	593	604	617	632	646		
Tap 4 - High Stage	Tap 3 - Low Stage	Tap 3 - High Stage	100,000 [29.31]	1750 CFM / 2250 CFM	12x9R Blower 1 HP [746] 5 Speed (Constant Torque)	Tap 5 - High Stage Cool	RPM 2138	2106	2084	2050	1990	1963	1943	1914	1891		
						Watts 1057	1075	1094	1117	1134	1162	1186	1206	1229	1245		
Tap 4 - High Stage	Tap 3 - Low Stage	Tap 3 - High Stage	100,000 [29.31]	1750 CFM / 2250 CFM	12x9R Blower 1 HP [746] 5 Speed (Constant Torque)	Tap 5 - High Stage High Static	RPM 823	833	848	860	873	891	908	924	941	953	
						Watts 823	833	848	860	873	891	908	924	941	953		

**NOTES:** 1. FOR CONSTANT TORQUE MOTORS: Use motor taps 3-5 to achieve rated airflow at AHRI minimum external static pressure.

(a) Use \* marked tap for AHRI 210/240-2023

(b) Use \*\* marked tap for AHRI 210/240-2017

2. Grayed out portions not recommended for use in field.

**DOWN DISCHARGE PRESSURE DROP (ADD TO EXTERNAL STATIC PRESSURE)**

CFM [L/s]	800 [378]	1000 [472]	1200 [566]	1600 [755]	1800 [849]	2000 [944]
Pressure Drop—Includes W.C. [kPa]	.02 [.005]	.05 [.012]	.07 [.017]	.12 [.030]	.15 [.037]	.17 [.042]

[ ] Designates Metric Conversions

# INDOOR AIRFLOW PERFORMANCE RGEAZR (460V, 3-PHASE) CONSTANT TORQUE MOTOR

Nominal Cooling Capacity Tons [kW]	Motor Speed from Factory		Recommended Speed Tap for Field Installed Heater Kit	Manufacturer Recommended Cooling Airflow (Min/Max)	Blower Size, Motor HP [W] & # of Speeds	Motor Tap - Usage	External Static Pressure - Inches W.C. [kPa] (Side Discharge-Dry Coil)										
	Cool	Heat					0.1 [0.02]	0.2 [0.05]	0.3 [0.07]	0.4 [0.10]	0.5 [0.12]	0.6 [0.15]	0.7 [0.17]	0.8 [0.20]	0.9 [0.22]	1.0 [0.25]	
3.0 [10.55]	Tap 3		60,000 [17.58]	1050 CFM / 1350 CFM	12x9T Blower 1 HP [746] 5 Speed (Constant Torque)	Tap 1 - FAN	CFM	946	889	810	749	677	581	500	422	354	328
							RPM	594	633	701	748	800	836	876	901	914	948
							Watts	114	120	133	142	151	158	166	170	172	176
							CFM	1109	1086	1046	962	915	851	787	717	645	577
							RPM	678	708	742	810	847	896	929	964	1005	1029
							Watts	172	179	188	205	212	226	234	243	253	260
							CFM	1265	1240	1214	1181	1110	1062	1024	957	907	838
							RPM	754	781	811	844	898	935	974	1016	1049	1086
							Watts	240	250	259	269	285	297	310	322	333	345
							CFM	1384	1371	1355	1326	1293	1249	1182	1130	1081	1028
RPM	818	838	864	893	924	960	1011	1044	1077	1111							
Watts	314	320	331	340	352	365	383	397	408	422							
CFM	1292	1278	1254	1222	1168	1108	1050	999	950	902							
RPM	770	794	827	857	903	947	986	1019	1050	1080							
Watts	259	266	278	287	303	317	330	340	350	360							
CFM	1425	1417	1398	1373	1343	1307	1248	1188	1135	1092							
RPM	841	860	884	914	940	970	1018	1060	1093	1122							
Watts	342	349	359	370	380	392	410	426	440	452							
CFM	1470	1464	1444	1419	1390	1361	1323	1252	1196	1134							
RPM	865	880	905	932	958	985	1016	1068	1108	1138							
Watts	370	376	388	399	409	420	433	455	470	480							
CFM	990	873	785	701	572	486	413	335	304	265							
RPM	586	613	667	714	753	807	829	853	880	909							
Watts	111	106	115	123	130	138	142	146	150	155							
CFM	1402	1367	1323	1280	1238	1175	1104	1045	982	920							
RPM	752	786	820	852	884	926	964	998	1032	1060							
Watts	252	262	274	284	294	306	319	331	341	351							
CFM	1492	1453	1409	1376	1336	1290	1232	1162	1100	1047							
RPM	792	822	858	885	913	945	984	1024	1057	1088							
Watts	295	307	318	328	338	349	363	377	389	401							
CFM	1295	1254	1212	1163	1107	1030	948	883	812	752							
RPM	710	741	778	810	849	893	935	967	995	1025							
Watts	207	216	225	234	246	257	268	277	285	293							
CFM	1822	1788	1752	1724	1695	1659	1625	1594	1541	1412							
RPM	921	946	972	997	1020	1050	1074	1097	1125	1143							
Watts	491	505	519	530	541	554	565	579	590	565							
CFM																	
RPM																	
Watts																	
CFM																	
RPM																	
Watts																	
CFM																	
RPM																	
Watts																	
CFM																	
RPM																	
Watts																	
CFM																	
RPM																	
Watts																	
CFM																	
RPM																	
Watts																	
CFM																	
RPM																	
Watts																	
CFM																	
RPM																	
Watts																	
CFM																	
RPM																	
Watts																	
CFM																	
RPM																	
Watts																	
CFM																	
RPM																	
Watts																	
CFM																	
RPM																	
Watts																	
CFM																	
RPM																	
Watts																	
CFM																	
RPM																	
Watts																	
CFM																	
RPM																	
Watts																	
CFM																	
RPM																	
Watts																	
CFM																	
RPM																	
Watts																	
CFM																	
RPM																	
Watts																	
CFM																	
RPM																	
Watts																	
CFM																	
RPM																	
Watts																	
CFM																	
RPM																	
Watts																	
CFM																	
RPM																	
Watts																	
CFM																	
RPM																	
Watts																	
CFM																	
RPM																	
Watts																	
CFM																	
RPM																	
Watts																	
CFM																	
RPM																	
Watts																	
CFM																	
RPM																	
Watts																	
CFM																	
RPM																	
Watts																	
CFM																	
RPM																	
Watts																	
CFM																	
RPM																	
Watts																	
CFM																	
RPM																	
Watts																	
CFM																	
RPM																	
Watts																	
CFM																	
RPM																	
Watts																	
CFM																	
RPM																	
Watts																	
CFM																	
RPM																	
Watts																	
CFM																	
RPM																	
Watts																	
CFM																	
RPM																	
Watts																	
CFM																	
RPM																	
Watts																	
CFM																	
RPM																	
Watts																	
CFM																	
RPM																	
Watts																	
CFM																	
RPM																	
Watts																	
CFM																	
RPM																	
Watts																	
CFM																	
RPM																	
Watts																	
CFM																	
RPM																	
Watts																	
CFM																	
RPM																	
Watts																	
CFM																	
RPM																	
Watts																	
CFM																	
RPM																	
Watts																	
CFM																	
RPM																	
Watts																	
CFM																	
RPM																	
Watts																	
CFM																	
RPM																	
Watts																	
CFM																	

**INDOOR AIRFLOW PERFORMANCE RGEAZR (460V, 3-PHASE) CONSTANT TORQUE MOTOR (Con't.)**

Nominal Cooling Capacity Tons [kW]	Motor Speed from Factory		Recommended Speed Tap for Field Installed Heater Kit	Manufacturer Recommended Cooling Airflow (Min/Max)	Blower Size, Motor HP [W] & # of Speeds	Motor Tap - Usage	External Static Pressure - Inches W.C. [kPa]									
	Cool	Heat					0.1 [.02]	0.2 [.05]	0.3 [.07]	0.4 [.10]	0.5 [.12]	0.6 [.15]	0.7 [.17]	0.8 [.20]	0.9 [.22]	1.0 [.25]
5.0 [17.59]		Tap 2	80,000 [23.45]	1750 CFM / 2250 CFM	12x9R Blower 1 HP [746] 5 Speed (Constant Torque)	Tap 1 - FAN	CFM	831	758	674	531	468	409	354	295	238
						Watts	595	635	678	720	753	780	810	842	873	
	Tap 3 - Low Stage	Tap 2	80,000 [23.45]	1750 CFM / 2250 CFM	12x9R Blower 1 HP [746] 5 Speed (Constant Torque)	Tap 2 - 80K	CFM	771	1287	1242	1190	1131	1081	1023	973	921
						Watts	743	1319	1287	1242	1190	1131	1081	1023	973	921
	Tap 4 - High Stage	Tap 2	80,000 [23.45]	1750 CFM / 2250 CFM	12x9R Blower 1 HP [746] 5 Speed (Constant Torque)	Tap 2 - 100K	CFM	1407	1365	1294	1247	1189	1131	1081	1034	981
						Watts	761	790	845	879	912	946	970	994	1031	
	Tap 4 - High Stage	Tap 2	80,000 [23.45]	1750 CFM / 2250 CFM	12x9R Blower 1 HP [746] 5 Speed (Constant Torque)	Tap 3 - Low Stage Cool	CFM	1346	1306	1228	1179	1120	1051	1004	953	898
						Watts	729	759	820	856	893	926	949	976	1013	
	Tap 4 - High Stage	Tap 2	80,000 [23.45]	1750 CFM / 2250 CFM	12x9R Blower 1 HP [746] 5 Speed (Constant Torque)	Tap 4 - High Stage Cool**	CFM	1840	1807	1751	1722	1690	1666	1630	1593	1552
						Watts	247	256	276	287	299	309	316	324	336	
Tap 4 - High Stage	Tap 2	80,000 [23.45]	1750 CFM / 2250 CFM	12x9R Blower 1 HP [746] 5 Speed (Constant Torque)	Med Static*	RPM	932	955	979	1004	1027	1049	1073	1097	1122	1150
					Watts	561	575	588	600	614	626	637	651	666	683	
Tap 4 - High Stage	Tap 2	80,000 [23.45]	1750 CFM / 2250 CFM	12x9R Blower 1 HP [746] 5 Speed (Constant Torque)	Tap 5 - High Stage Cool	CFM	2137	2104	2051	2014	1983	1954	1926	1894	1855	
					Watts	1067	1083	1097	1122	1138	1164	1182	1198	1215	1237	
Tap 4 - High Stage	Tap 2	80,000 [23.45]	1750 CFM / 2250 CFM	12x9R Blower 1 HP [746] 5 Speed (Constant Torque)	High Static	Watts	876	889	912	924	936	947	957	968	978	

**NOTES:** 1. FOR CONSTANT TORQUE MOTORS: Use motor taps 3-5 to achieve rated airflow at AHRI minimum external static pressure.

(a) Use \* marked tap for AHRI 210/240-2023

(b) Use \*\* marked tap for AHRI 210/240-2017

2. Grayed out portions not recommended for use in field.

**DOWN DISCHARGE PRESSURE DROP (ADD TO EXTERNAL STATIC PRESSURE)**

CFM [L/s]	800 [378]	1000 [472]	1200 [566]	1400 [661]	1600 [755]	1800 [849]	2000 [944]
Pressure Drop—Includes W.C. [kPa]	.02 [.005]	.05 [.012]	.07 [.017]	.1 [.025]	.12 [.030]	.15 [.037]	.17 [.042]

[ ] Designates Metric Conversions



**INDOOR AIRFLOW PERFORMANCE RGEAZR ULN (208/230V, 1-PHASE) CONSTANT TORQUE MOTOR**

Nominal Cooling Capacity Tons [kW]	Motor Speed from Factory		Heating Input BTU/HR [kW]	Manufacturer Recommended Cooling Airflow (Min/Max)	Blower Size, Motor HP [W] & # of Speeds	Motor Tap - Usage	External Static Pressure - Inches W.C. [kPa] (Side Discharge-Dry Coil)										
	Cool	Heat					0.1 [.02]	0.2 [.05]	0.3 [.07]	0.4 [.10]	0.5 [.12]	0.6 [.15]	0.7 [.17]	0.8 [.20]	0.9 [.22]	1.0 [.25]	
2.0 [7.03]		Tap 3		700 CFM / 900 CFM	10X9 Blower 1/3 HP [249] 5 Speed (Constant Torque)	Tap 1 - FAN	CFM	890	842	788	736	660	623	579	521	462	408
							RPM	680	729	763	835	895	926	967	1021	1062	1098
							Watts	111	118	124	132	140	144	150	157	162	167
							CFM	744	686	553	502	454	399	324	276	240	212
							RPM	601	658	737	778	822	882	921	957	1000	1046
	Watts	74	80	88	92	97	103	106	110	115	119						
	CFM	880	839	784	713	650	578	530	469	423	375						
	RPM	674	718	775	841	888	920	960	1015	1052	1089						
	Watts	108	114	121	130	137	141	147	153	158	163						
	CFM	874	825	771	703	590	553	511	451	398	347						
RPM	671	721	774	842	888	921	959	1016	1057	1092							
Watts	105	112	119	128	134	138	143	150	156	160							
CFM	1037	1000	957	905	838	776	738	701	668	616							
RPM	757	796	839	886	949	994	1026	1057	1089	1128							
Watts	156	163	171	178	190	197	204	207	214	217							
CFM	1274	1239	1208	1168	1138	1098	1024	865	796	713							
RPM	882	922	953	989	1027	1066	1101	1131	1138	1149							
Watts	268	277	285	295	303	313	312	285	272	253							
CFM	944	895	852	801	716	669	633	585	546	498							
RPM	715	760	805	855	923	964	993	1031	1085	1118							
Watts	128	135	141	149	159	165	170	176	184	190							
CFM	713	564	483	438	375	296	248	220	189								
RPM	591	635	708	749	817	862	902	955	989								
Watts	68	69	75	78	84	89	92	97	101								
CFM	870	826	766	689	646	599	558	490	430	402							
RPM	675	719	776	848	882	921	958	1013	1057	1083							
Watts	106	111	119	129	132	139	143	151	157	160							
CFM	980	930	891	840	764	717	676	646	602	536							
RPM	731	775	814	866	935	970	1002	1030	1076	1131							
Watts	138	144	149	159	171	175	181	185	193	202							
CFM	1212	1178	1144	1103	1064	1018	966	912	829	734							
RPM	856	897	935	967	1011	1054	1102	1136	1151	1160							
Watts	235	244	253	260	271	280	291	293	279	261							
CFM	1549	1522	1463	1404	1339	1270	1161	970	857	769							
RPM	1044	1074	1099	1113	1124	1134	1147	1162	1167	1174							
Watts	464	472	467	462	432	411	378	325	298	281							

[ ] Designates Metric Conversions



# INDOOR AIRFLOW PERFORMANCE RGEAZR ULN (208/230V, 1-PHASE) CONSTANT TORQUE MOTOR

Nominal Cooling Capacity Tons [kW]	Motor Speed from Factory		Heating Input BTU/HR [kW]	Manufacturer Recommended Cooling Airflow (Min/Max)	Blower Size, Motor HP [W] & # of Speeds	Motor Tap - Usage	External Static Pressure - Inches W.C. [kPa] (Side Discharge-Dry Coil)										
	Cool	Heat					0.1 [0.02]	0.2 [0.05]	0.3 [0.07]	0.4 [0.10]	0.5 [0.12]	0.6 [0.15]	0.7 [0.17]	0.8 [0.20]	0.9 [0.22]	1.0 [0.25]	
3.5 [12.31]	Tap 5		80,000 [23.45]	1225 CFM / 1575 CFM	12x9T Blower 3/4 HP [559] 5 Speed (Constant Torque)	Tap 1 - FAN	CFM	1130	1077	1027	946	841	764	692	634	551	497
							RPM	647	685	723	770	822	854	905	929	956	974
							Watts	148	155	164	174	182	190	198	206	210	215
							CFM	1317	1266	1226	1170	1105	1032	945	873	817	748
							RPM	718	753	785	821	863	904	947	977	1001	1051
							Watts	213	221	231	239	250	261	271	280	286	298
							CFM	1557	1517	1475	1436	1398	1352	1306	1245	1178	1119
							RPM	821	849	882	908	936	966	997	1033	1068	1102
							Watts	330	339	350	360	370	381	390	403	415	428
							CFM	1703	1659	1624	1589	1549	1508	1469	1424	1351	1263
RPM	870	900	926	952	979	1009	1033	1062	1102	1121							
Watts	407	418	430	439	451	462	472	483	497	484							
CFM	1832	1807	1775	1740	1704	1672	1639	1583	1505	1348							
RPM	940	961	984	1009	1033	1061	1083	1103	1119	1136							
Watts	519	530	540	552	562	577	586	583	570	531							
4.0 [14.07]	Tap 5		80,000 [23.45]	1400 CFM 1800 CFM*	12x9R Blower 1 HP [746] 5 Speed (Constant Torque)	Tap 1 - FAN	CFM	1174	1130	1076	1026	947	872	810	744	689	641
							RPM	664	696	729	759	800	828	860	897	924	942
							Watts	166	173	180	187	195	201	208	217	223	227
							CFM	1262	1220	1175	1117	1058	993	923	870	805	751
							RPM	695	726	756	788	824	856	884	908	948	974
							Watts	197	203	211	218	227	235	242	248	258	265
							CFM	1460	1416	1385	1342	1298	1253	1200	1128	1076	1037
							RPM	780	811	837	865	893	919	949	981	1003	1024
							Watts	285	296	303	313	322	329	340	349	358	364
							CFM	1354	1316	1273	1229	1179	1121	1062	997	954	891
RPM	745	773	802	826	856	888	919	945	968	1007							
Watts	239	247	255	260	270	280	287	295	301	312							
CFM	1769	1734	1706	1665	1634	1595	1560	1526	1481	1444							
RPM	903	931	953	980	999	1028	1048	1071	1094	1117							
Watts	468	481	490	500	511	524	532	543	554	566							
CFM	1966	1938	1916	1882	1855	1822	1803	1778	1739	1700							
RPM	1003	1027	1047	1070	1091	1115	1128	1150	1172	1195							
Watts	657	670	682	695	707	721	730	742	756	769							

[ \* ] Designates Metric Conversions

# INDOOR AIRFLOW PERFORMANCE RGEAZR ULN (208/230V, 1-PHASE) CONSTANT TORQUE MOTOR (Con't.)

Nominal Cooling Capacity Tons [kW]	Motor Speed from Factory		Heating Input BTU/HR [kW]	Manufacturer Recommended Cooling Airflow (Min/Max)	Blower Size, Motor HP [W] & # of Speeds	Motor Tap - Usage	External Static Pressure - Inches W.C. [kPa] (Side Discharge-Dry Coil)										
	Cool	Heat					0.1 [.02]	0.2 [.05]	0.3 [.07]	0.4 [.10]	0.5 [.12]	0.6 [.15]	0.7 [.17]	0.8 [.20]	0.9 [.22]	1.0 [.25]	
5.0 [17.59]		Tap 5		1750 CFM / 2250 CFM	12x9R Blower 1 HP [746] 5 Speed (Constant Torque)	Tap 1 - FAN	CFM	1171	1124	1068	1012	943	886	829	766	702	642
							RPM	659	692	727	762	800	829	857	891	924	953
							Watts	166	173	181	190	197	204	209	218	225	233
		Tap 2 - 100K					CFM	1567	1532	1495	1460	1418	1383	1340	1291	1244	1186
							RPM	828	854	879	907	935	960	985	1012	1042	1070
		Tap 3 - Low Stage Cool					Watts	350	361	371	380	391	400	410	420	430	442
							CFM	1419	1381	1350	1301	1256	1207	1140	1086	1035	977
		Tap 4 - High Stage Cool*					RPM	763	791	817	847	876	909	943	970	995	1020
							Watts	268	277	285	295	304	314	323	332	340	348
		Tap 5 - High Stage Cool					CFM	1938	1904	1873	1841	1813	1811	1754	1726	1694	1661
	RPM						976	1002	1019	1043	1063	1065	1107	1130	1159	1180	
	Tap 5 - High Stage Cool					Watts	622	638	645	657	669	670	693	707	725	737	
						CFM	2138	2106	2084	2050	2025	1990	1963	1943	1914	1891	
	Tap 5 - High Stage Cool					RPM	1057	1075	1094	1117	1134	1162	1186	1206	1229	1245	
						Watts	823	833	848	860	873	891	908	924	941	953	

NOTES: 1. FOR CONSTANT TORQUE MOTORS: Use motor taps 3-5 to achieve rated airflow at AHRI minimum external static pressure.

(a) Use \* marked tap for AHRI 210/240-2023

(b) Use \*\* marked tap for AHRI 210/240-2017

2. Grayed out portions not recommended for use in field.

DOWN DISCHARGE PRESSURE DROP (ADD TO EXTERNAL STATIC PRESSURE)			
CFM [L/s]	800 [378]	1000 [472]	1200 [566]
Pressure Drop—Includes W.C. [kPa]	.02 [.005]	.05 [.012]	.07 [.017]
	1400 [661]	1600 [755]	1800 [849]
	.1 [.025]	.12 [.030]	.15 [.037]
	2000 [944]		.17 [.042]

[ ] Designates Metric Conversions

# INDOOR AIRFLOW PERFORMANCE RGEAZR ULN (208/230V, 3-PHASE) CONSTANT TORQUE MOTOR

Nominal Cooling Capacity Tons [kW]	Motor Speed from Factory		Heating Input BTU/HR [kW]	Manufacturer Recommended Cooling Airflow (Min/Max)	Blower Size, Motor HP [W] & # of Speeds	Motor Tap - Usage	External Static Pressure - Inches W.C. [kPa] (Side Discharge-Dry Coil)										
	Cool	Heat					0.1 [.02]	0.2 [.05]	0.3 [.07]	0.4 [.10]	0.5 [.12]	0.6 [.15]	0.7 [.17]	0.8 [.20]	0.9 [.22]	1.0 [.25]	
3.0 [10.55]	Tap 5		60,000 [17.58]	1050 CFM / 1350 CFM	12x9T Blower 1 HP [746] 5 Speed (Constant Torque)	Tap 1 - FAN	CFM	967	917	840	779	708	580	492	419	335	300
							RPM	615	658	718	771	817	855	887	911	929	943
							Watts	118	126	136	145	152	160	164	168	171	176
		Tap 2	Tap 2 - 60K	CFM		922	854	766	698	553	466	400	325	286	256		
				RPM		592	629	700	748	796	834	856	875	885	928		
				Watts		107	110	119	127	133	140	143	147	149	153		
		Tap 2	Tap 2 - 80K	CFM		1152	1116	1071	993	939	883	824	762	684	612		
				RPM		700	733	773	831	870	917	955	989	1025	1048		
				Watts		179	188	197	206	219	229	237	246	255	262		
		Tap 3	Tap 3 - Low Static Cool **	CFM		1336	1297	1264	1225	1188	1105	1043	984	931	867		
				RPM		771	804	837	866	897	952	988	1022	1056	1083		
				Watts		249	259	271	278	285	300	315	319	328	337		
		Tap 4	Tap 4 - Med Static Cool	CFM		1486	1449	1418	1386	1351	1311	1240	1189	1135	1098		
				RPM		840	874	902	930	958	988	1036	1069	1100	1130		
				Watts		332	344	353	364	374	384	398	412	422	433		
Tap 5	Tap 5 - High Static Cool	CFM	1517	1493	1465	1429	1401	1364	1294	1249	1203	1148					
		RPM	868	893	922	947	973	1003	1052	1088	1113	1145					
		Watts	362	371	380	391	400	411	430	443	453	462					

[ ] Designates Metric Conversions

# INDOOR AIRFLOW PERFORMANCE RGEAZR ULN (208/230V, 3-PHASE) CONSTANT TORQUE MOTOR (Con't.)

Nominal Cooling Capacity Tons [kW]	Motor Speed from Factory		Heating Input BTU/HR [kW]	Manufacturer Recommended Cooling Airflow (Min/Max)	Blower Size, Motor HP [W] & # of Speeds	Motor Tap - Usage	External Static Pressure - Inches W.C. [kPa] (Side Discharge-Dry Coil)											
	Cool	Heat					0.1 [.02]	0.2 [.05]	0.3 [.07]	0.4 [.10]	0.5 [.12]	0.6 [.15]	0.7 [.17]	0.8 [.20]	0.9 [.22]	1.0 [.25]		
3.5 [12.31]		Tap 5		1225 CFM / 1575 CFM	12x9T Blower 3/4 HP [559] 5 Speed (Constant Torque)	Tap 1 - FAN	CFM	1130	1077	1027	946	841	764	692	634	551	497	
							RPM	647	685	723	770	822	854	905	929	956	974	
							Watts	148	155	164	174	182	190	198	206	210	215	
		Tap 2		80,000 [23.45]			Tap 2 - 80K	CFM	1317	1266	1226	1170	1105	1032	945	873	817	748
							RPM	718	753	785	821	863	904	947	977	1001	1051	
							Watts	213	221	231	239	250	261	271	280	286	298	
							CFM	1557	1517	1475	1436	1398	1352	1306	1245	1178	1119	
							RPM	821	849	882	908	936	966	997	1033	1068	1102	
							Watts	330	339	350	360	370	381	390	403	415	428	
							CFM	1703	1659	1624	1589	1549	1508	1469	1424	1351	1263	
							RPM	870	900	926	952	979	1009	1033	1062	1102	1121	
							Watts	407	418	430	439	451	462	472	483	497	484	
							CFM	1832	1807	1775	1740	1704	1672	1639	1583	1505	1348	
							RPM	940	961	984	1009	1033	1061	1083	1103	1119	1136	
							Watts	519	530	540	552	562	577	586	583	570	531	

**NOTES:** 1. FOR CONSTANT TORQUE MOTORS: Use motor taps 3-5 to achieve rated airflow at AHRI minimum external static pressure.

(a) Use \* marked tap for AHRI 210/240-2023

(b) Use \*\* marked tap for AHRI 210/240-2017

2. Grayed out portions not recommended for use in field.

DOWN DISCHARGE PRESSURE DROP (ADD TO EXTERNAL STATIC PRESSURE)			
CFM [L/s]	800 [378]	1000 [472]	1200 [566]
Pressure Drop—Includes W.C. [kPa]	.02 [.005]	.05 [.012]	.07 [.017]
	1400 [661]	1600 [755]	1800 [849]
	.1 [.025]	.12 [.030]	.15 [.037]
	2000 [944]		
			.17 [.042]

[ ] Designates Metric Conversions

# INDOOR AIRFLOW PERFORMANCE RGEAZR ULN (208/230V, 3-PHASE) CONSTANT TORQUE MOTOR

Nominal Cooling Capacity Tons [kW]	Motor Speed from Factory		Heating Input BTU/HR [kW]	Manufacturer Recommended Cooling Airflow (Min/Max)	Blower Size, Motor HP [W] & # of Speeds	Motor Tap - Usage	External Static Pressure - Inches W.C. [kPa] (Side Discharge-Dry Coil)												
	Cool	Heat					0.1 [.02]	0.2 [.05]	0.3 [.07]	0.4 [.10]	0.5 [.12]	0.6 [.15]	0.7 [.17]	0.8 [.20]	0.9 [.22]	1.0 [.25]			
4.0 [14.07]	Tap 5			1400 CFM / 1800 CFM	12x9T Blower 1 HP [746] 5 Speed (Constant Torque)	Tap 1 - FAN	CFM	1206	1156	1102	1054	968	886	809	724	668	590		
							RPM	672	707	746	776	828	868	906	951	975	1007		
							Watts	164	172	181	187	199	206	214	224	230	237		
				Tap 2	80,000 [23.45]			Tap 2 - 80K	CFM	1306	1257	1203	1159	1103	1027	953	879	813	751
									RPM	716	750	786	817	854	897	937	971	998	1033
									Watts	201	209	218	225	235	245	253	263	265	278
									CFM	1466	1427	1382	1339	1292	1240	1161	1088	1048	983
									RPM	785	816	845	875	906	937	986	1022	1047	1079
									Watts	271	280	288	298	304	316	331	342	349	359
									CFM	1306	1257	1203	1159	1103	1027	953	879	813	751
									RPM	716	750	786	817	854	897	937	971	998	1033
									Watts	201	209	218	225	235	245	253	263	265	278
									CFM	1790	1755	1719	1686	1653	1611	1580	1539	1493	1358
									RPM	918	944	969	996	1020	1050	1069	1097	1124	1144
									Watts	455	466	478	489	499	512	520	530	543	511
							CFM	1869	1835	1800	1768	1729	1692	1653	1605	1536	1358		
							RPM	942	970	992	1018	1044	1076	1101	1120	1130	1144		
							Watts	506	518	529	541	550	568	578	579	563	518		

[ J Designates Metric Conversions

# INDOOR AIRFLOW PERFORMANCE RGEAZR ULN (208/230V, 3-PHASE) CONSTANT TORQUE MOTOR (Con't.)

Nominal Cooling Capacity Tons [kW] [17.59]	Motor Speed from Factory		Heating Input BTU/HR [kW]	Manufacturer Recommended Cooling Airflow (Min/Max)	Blower Size, Motor HP [W] & # of Speeds	Motor Tap - Usage	External Static Pressure - Inches W.C. [kPa] (Side Discharge-Dry Coil)										
	Cool	Heat					0.1 [.02]	0.2 [.05]	0.3 [.07]	0.4 [.10]	0.5 [.12]	0.6 [.15]	0.7 [.17]	0.8 [.20]	0.9 [.22]	1.0 [.25]	
						Tap 1 - FAN	CFM	1171	1124	1068	1012	943	886	829	766	702	642
							RPM	659	692	727	762	800	829	857	891	924	953
							Watts	166	173	181	190	197	204	209	218	225	233
		Tap 2	100,000 [29.31]			Tap 2 - 100K	CFM	1567	1532	1495	1460	1418	1383	1340	1291	1244	1186
							RPM	828	854	879	907	935	960	985	1012	1042	1070
							Watts	350	361	371	380	391	400	410	420	430	442
		Tap 5			12x9R Blower 1 HP [746] 5 Speed (Constant Torque)	Tap 3 - Low Stage Cool	CFM	1355	1316	1276	1227	1165	1111	1041	990	928	873
							RPM	735	764	793	826	854	885	914	936	962	992
							Watts	237	245	253	262	268	277	284	289	296	302
							CFM	1845	1812	1779	1749	1711	1691	1654	1624	1581	1546
							RPM	941	963	983	1009	1035	1054	1077	1098	1127	1152
							Watts	537	549	559	570	584	593	604	617	632	646
							CFM	2138	2106	2084	2050	2025	1990	1963	1943	1914	1891
							RPM	1057	1075	1094	1117	1134	1162	1186	1206	1229	1245
							Watts	823	833	848	860	873	891	908	924	941	953

NOTES: 1. FOR CONSTANT TORQUE MOTORS: Use motor taps 3-5 to achieve rated airflow at AHRI minimum external static pressure.

(a) Use \* marked tap for AHRI 210/240-2023

(b) Use \*\* marked tap for AHRI 210/240-2017

2. Grayed out portions not recommended for use in field.

DOWN DISCHARGE PRESSURE DROP (ADD TO EXTERNAL STATIC PRESSURE)	
CFM [L/s]	800 [378] 1000 [472] 1200 [566] 1400 [661] 1600 [755] 1800 [849] 2000 [944]
Pressure Drop—Includes W.C. [kPa]	.02 [.005] .05 [.012] .07 [.017] .12 [.030] .15 [.037] .17 [.042]

[ ] Designates Metric Conversions



# INDOOR AIRFLOW PERFORMANCE RGEAZR ULN (460V, 3-PHASE) CONSTANT TORQUE MOTOR

Nominal Cooling Capacity Tons [kW]	Motor Speed from Factory		Heating Input BTU/HR [kW]	Manufacturer Recommended Cooling Airflow (Min/Max)	Blower Size, Motor HP [W] & # of Speeds	Motor Tap - Usage	External Static Pressure - Inches W.C. [kPa] (Side Discharge-Dry Coil)										
	Cool	Heat					0.1 [.02]	0.2 [.05]	0.3 [.07]	0.4 [.10]	0.5 [.12]	0.6 [.15]	0.7 [.17]	0.8 [.20]	0.9 [.22]	1.0 [.25]	
3.0 [10.55]	Tap 5		60,000 [17.58]	1050 CFM / 1350 CFM	12x9T Blower 1 HP [746] 5 Speed (Constant Torque)	Tap 1 - FAN	CFM	964	915	839	775	707	643	537	473	388	335
							RPM	603	643	708	758	804	842	887	908	931	940
							Watts	121	128	140	150	160	167	176	180	184	187
							CFM	942	882	801	733	661	532	453	376	320	300
							RPM	592	632	693	746	791	840	869	889	904	938
							Watts	113	119	130	140	148	157	163	167	168	176
							CFM	1099	1066	1026	954	896	873	814	741	653	586
							RPM	667	704	740	798	843	894	930	961	1001	1025
							Watts	167	176	184	199	209	222	230	239	248	254
							CFM	1292	1278	1254	1222	1168	1108	1050	999	950	902
RPM	770	794	827	857	903	947	986	1019	1050	1080							
Watts	259	266	278	287	303	317	330	340	350	360							
CFM	1425	1417	1398	1373	1343	1307	1248	1188	1135	1092							
RPM	841	860	884	914	940	970	1018	1060	1093	1122							
Watts	342	349	359	370	380	392	410	426	440	452							
CFM	1470	1464	1444	1419	1390	1361	1323	1252	1196	1134							
RPM	865	880	905	932	958	985	1016	1068	1108	1138							
Watts	370	376	388	399	409	420	433	455	470	480							
CFM	1193	1141	1091	1038	959	879	805	735	666	594							
RPM	667	708	742	781	828	871	905	938	980	1008							
Watts	168	177	186	195	207	218	225	234	245	251							
CFM	1314	1272	1227	1186	1129	1058	983	913	846	772							
RPM	720	754	790	821	858	904	943	973	1005	1038							
Watts	214	224	234	244	254	267	278	287	296	305							
CFM	1492	1453	1409	1376	1336	1290	1232	1162	1100	1047							
RPM	792	822	858	885	913	945	984	1024	1057	1088							
Watts	295	307	318	328	338	349	363	377	389	401							
CFM	1295	1254	1212	1163	1107	1030	948	883	812	752							
RPM	710	741	778	810	849	893	935	967	995	1025							
Watts	207	216	225	234	246	257	268	277	285	293							
CFM	1822	1788	1752	1724	1695	1659	1625	1594	1541	1412							
RPM	921	946	972	997	1020	1050	1074	1097	1125	1143							
Watts	491	505	519	530	541	554	565	579	590	565							
CFM																	
RPM																	
Watts																	
CFM																	
RPM																	
Watts																	

[ ] Designates Metric Conversions

# INDOOR AIRFLOW PERFORMANCE RGEAZR ULN (460V, 3-PHASE) CONSTANT TORQUE MOTOR (Con't.)

Nominal Cooling Capacity Tons [kW]	Motor Speed from Factory		Heating Input BTU/HR [kW]	Manufacturer Recommended Cooling Airflow (Min/Max)	Blower Size, Motor HP [W] & # of Speeds	Motor Tap - Usage	External Static Pressure - Inches W.C. [kPa] (Side Discharge-Dry Coil)										
	Cool	Heat					0.1 [.02]	0.2 [.05]	0.3 [.07]	0.4 [.10]	0.5 [.12]	0.6 [.15]	0.7 [.17]	0.8 [.20]	0.9 [.22]	1.0 [.25]	
5.0 [17.59]					12x9R Blower 1 HP [746] 5 Speed (Constant Torque)	Tap 1 - FAN	CFM	1177	1130	1075	1024	949	886	832	773	700	663
						RPM	662	692	729	762	802	829	862	893	928	946	
						Watts	175	182	191	200	210	217	225	233	241	247	
		Tap 2	100,000 [29.31]			CFM	1558	1519	1485	1454	1413	1369	1328	1280	1229	1173	
						RPM	825	849	879	905	932	962	989	1019	1047	1073	
						Watts	362	374	385	395	408	420	433	445	456	467	
		Tap 3				CFM	1346	1306	1270	1228	1179	1120	1051	1004	953	898	
						RPM	729	759	791	820	856	893	926	949	976	1013	
		Tap 5		1750 CFM / 2250 CFM		Watts	247	256	266	276	287	299	309	316	324	336	
						CFM	1840	1807	1781	1751	1722	1690	1666	1630	1593	1552	
						RPM	932	955	979	1004	1027	1049	1073	1097	1122	1150	
						Watts	561	575	588	600	614	626	637	651	666	683	
						CFM	2137	2104	2078	2051	2014	1983	1954	1926	1894	1855	
						RPM	1067	1083	1097	1122	1138	1164	1182	1198	1215	1237	
						Watts	876	889	898	912	924	936	947	957	968	978	

**NOTES:** 1. FOR CONSTANT TORQUE MOTORS: Use motor taps 3-5 to achieve rated airflow at AHRI minimum external static pressure.

(a) Use \* marked tap for AHRI 210/240-2023

(b) Use \*\* marked tap for AHRI 210/240-2017

2. Grayed out portions not recommended for use in field.

DOWN DISCHARGE PRESSURE DROP (ADD TO EXTERNAL STATIC PRESSURE)	
CFM [L/s]	800 [378] 1000 [472] 1200 [566] 1400 [661] 1600 [755] 1800 [849] 2000 [944]
Pressure Drop—Includes W.C. [kPa]	.02 [.005] .05 [.012] .07 [.017] .1 [.025] .12 [.030] .15 [.037] .17 [.042]

[ ] Designates Metric Conversions

ELECTRICAL DATA - RGEAZR SERIES									
		024AJT041/X	024AJT04U	024AJT061/X	024AJT06U	024AJT081/X	030AJT041/X	030AJT04U	030AJT061/X
Unit Information	Unit Operating Voltage Range	187-253	187-253	187-253	187-253	187-253	187-253	187-253	187-253
	Volts	208/230	208/230	208/230	208/230	208/230	208/230	208/230	208/230
	Phase	1	1	1	1	1	1	1	1
	Hz	60	60	60	60	60	60	60	60
	Minimum Circuit Ampacity	18	18	18	18	18	21	21	21
	Minimum Overcurrent Protection Device Size	25	25	25	25	25	25	25	25
Maximum Overcurrent Protection Device Size	25	25	25	25	25	30	30	30	
Compressor Motor	No.	1	1	1	1	1	1	1	1
	Volts	208/230	208/230	208/230	208/230	208/230	208/230	208/230	208/230
	Phase	1	1	1	1	1	1	1	1
	RPM	3500	3500	3500	3500	3500	3500	3500	3500
	HP, Compressor 1								
	Amps (RLA), Comp. 1	10.8	10.8	10.8	10.8	10.8	12.3	12.3	12.3
	Amps (LRA), Comp. 1	55	55	55	55	55	63	63	63
	HP, Compressor 2								
Amps (RLA), Comp. 2									
Amps (LRA), Comp. 2									
Condenser Motor	No.	1	1	1	1	1	1	1	1
	Volts	208/230	208/230	208/230	208/230	208/230	208/230	208/230	208/230
	Phase	1	1	1	1	1	1	1	1
	HP	1/3	1/3	1/3	1/3	1/3	1/3	1/3	1/3
	Amps (FLA, each)	1.5	1.5	1.5	1.5	1.5	1.5	1.5	1.5
	Amps (LRA, each)	3	3	3	3	3	3	3	3
Evaporator Fan	No.	1	1	1	1	1	1	1	1
	Volts	208/230	208/230	208/230	208/230	208/230	208/230	208/230	208/230
	Phase	1	1	1	1	1	1	1	1
	HP	1/3	1/3	1/3	1/3	1/3	1/2	1/2	1/2
	Amps (FLA, each)	2.8	2.8	2.8	2.8	2.8	4.1	4.1	4.1
	Amps (LRA, each)								

**ELECTRICAL DATA - RGEAZR SERIES**

		030AJT06U	030AJT081/X	036ACT061/X	036ACT06U	036ACT081/X	036ACT08U	036ACT101/X	036ADT061/X
<b>Unit Information</b>	Unit Operating Voltage Range	187-253	187-253	187-253	187-253	187-253	187-253	187-253	414-506
	Volts	208/230	208/230	208/230	208/230	208/230	208/230	208/230	460
	Phase	1	1	3	3	3	3	3	3
	Hz	60	60	60	60	60	60	60	60
	Minimum Circuit Ampacity	21	21	20	20	20	20	20	10
	Minimum Overcurrent Protection Device Size	25	25	25	25	25	25	25	15
	Maximum Overcurrent Protection Device Size	30	30	25	25	25	25	25	15
<b>Compressor Motor</b>	No.	1	1	1	1	1	1	1	1
	Volts	208/230	208/230	208/230	208/230	208/230	208/230	208/230	460
	Phase	1	1	3	3	3	3	3	3
	RPM	3500	3500	3500	3500	3500	3500	3500	3500
	HP, Compressor 1								
	Amps (RLA), Comp. 1	12.3	12.3	8.5	8.5	8.5	8.5	8.5	3.8
	Amps (LRA), Comp. 1	63	63	70	70	70	70	70	31
	HP, Compressor 2								
	Amps (RLA), Comp. 2								
Amps (LRA), Comp. 2									
<b>Condenser Motor</b>	No.	1	1	1	1	1	1	1	1
	Volts	208/230	208/230	208/230	208/230	208/230	208/230	208/230	460
	Phase	1	1	1	1	1	1	1	1
	HP	1/3	1/3	1/3	1/3	1/3	1/3	1/3	1/3
	Amps (FLA, each)	1.5	1.5	1.5	1.5	1.5	1.5	1.5	0.8
	Amps (LRA, each)	3	3	3	3	3	3	3	1.6
<b>Evaporator Fan</b>	No.	1	1	1	1	1	1	1	1
	Volts	208/230	208/230	208/230	208/230	208/230	208/230	208/230	460
	Phase	1	1	1	1	1	1	1	1
	HP	1/2	1/2	1	1	1	1	1	1
	Amps (FLA, each)	4.1	4.1	7.6	7.6	7.6	7.6	7.6	4
	Amps (LRA, each)								

ELECTRICAL DATA - RGEAZR SERIES									
		036ADT06U	036ADT081/X	036ADT08U	036ADT101/X	036AJT061/X	036AJT06U	036AJT081/X	036AJT08U
Unit Information	Unit Operating Voltage Range	414-506	414-506	414-506	414-506	187-253	187-253	187-253	187-253
	Volts	460	460	460	460	208/230	208/230	208/230	208/230
	Phase	3	3	3	3	1	1	1	1
	Hz	60	60	60	60	60	60	60	60
	Minimum Circuit Ampacity	10	10	10	10	28	28	28	28
	Minimum Overcurrent Protection Device Size	15	15	15	15	35	35	35	35
	Maximum Overcurrent Protection Device Size	15	15	15	15	40	40	40	40
Compressor Motor	No.	1	1	1	1	1	1	1	1
	Volts	460	460	460	460	208/230	208/230	208/230	208/230
	Phase	3	3	3	3	1	1	1	1
	RPM	3500	3500	3500	3500	3500	3500	3500	3500
	HP, Compressor 1								
	Amps (RLA), Comp. 1	3.8	3.8	3.8	3.8	14.7	14.7	14.7	14.7
	Amps (LRA), Comp. 1	31	31	31	31	75	75	75	75
	HP, Compressor 2								
	Amps (RLA), Comp. 2								
Amps (LRA), Comp. 2									
Condenser Motor	No.	1	1	1	1	1	1	1	1
	Volts	460	460	460	460	208/230	208/230	208/230	208/230
	Phase	1	1	1	1	1	1	1	1
	HP	1/3	1/3	1/3	1/3	1/3	1/3	1/3	1/3
	Amps (FLA, each)	0.8	0.8	0.8	0.8	1.5	1.5	1.5	1.5
	Amps (LRA, each)	1.6	1.6	1.6	1.6	3	3	3	3
Evaporator Fan	No.	1	1	1	1	1	1	1	1
	Volts	460	460	460	460	208/230	208/230	208/230	208/230
	Phase	1	1	1	1	1	1	1	1
	HP	1	1	1	1	1	1	1	1
	Amps (FLA, each)	4	4	4	4	7.6	7.6	7.6	7.6
	Amps (LRA, each)								

**ELECTRICAL DATA - RGEAZR SERIES**

		036AJT101/X	042ACT081/X	042ACT08U	042ACT101/X	042AJT081/X	042AJT08U	042AJT101/X	048ACT081/X
<b>Unit Information</b>	Unit Operating Voltage Range	187-253	187-253	187-253	187-253	187-253	187-253	187-253	187-253
	Volts	208/230	208/230	208/230	208/230	208/230	208/230	208/230	208/230
	Phase	1	3	3	3	1	1	1	3
	Hz	60	60	60	60	60	60	60	60
	Minimum Circuit Ampacity	28	22	22	22	28	28	28	26
	Minimum Overcurrent Protection Device Size	35	25	25	25	35	35	35	30
	Maximum Overcurrent Protection Device Size	40	30	30	30	40	40	40	35
<b>Compressor Motor</b>	No.	1	1	1	1	1	1	1	1
	Volts	208/230	208/230	208/230	208/230	208/230	208/230	208/230	208/230
	Phase	1	3	3	3	1	1	1	3
	RPM	3500	3500	3500	3500	3500	3500	3500	3500
	HP, Compressor 1								
	Amps (RLA), Comp. 1	14.7	10.6	10.6	10.6	15.9	15.9	15.9	12.6
	Amps (LRA), Comp. 1	75	118	118	118	112.3	112.3	112.3	123
	HP, Compressor 2								
	Amps (RLA), Comp. 2								
Amps (LRA), Comp. 2									
<b>Condenser Motor</b>	No.	1	1	1	1	1	1	1	1
	Volts	208/230	208/230	208/230	208/230	208/230	208/230	208/230	208/230
	Phase	1	1	1	1	1	1	1	1
	HP	1/3	1/3	1/3	1/3	1/3	1/3	1/3	1/3
	Amps (FLA, each)	1.5	2	2	2	2	2	2	2
	Amps (LRA, each)	3	3.9	3.9	3.9	3.9	3.9	3.9	3.9
<b>Evaporator Fan</b>	No.	1	1	1	1	1	1	1	1
	Volts	208/230	208/230	208/230	208/230	208/230	208/230	208/230	208/230
	Phase	1	1	1	1	1	1	1	1
	HP	1	3/4	3/4	3/4	3/4	3/4	3/4	1
	Amps (FLA, each)	7.6	6	6	6	6	6	6	7.6
	Amps (LRA, each)								

ELECTRICAL DATA - RGEAZR SERIES									
		048ACT08U	048ACT101/X	048ACT10U	048ADT081/X	048ADT101/X	048ADT10U	048AJT081/X	048AJT08U
Unit Information	Unit Operating Voltage Range	187-253	187-253	187-253	414-506	414-506	414-506	187-253	187-253
	Volts	208/230	208/230	208/230	460	460	460	208/230	208/230
	Phase	3	3	3	3	3	3	1	1
	Hz	60	60	60	60	60	60	60	60
	Minimum Circuit Ampacity	26	26	26	13	13	13	36	36
	Minimum Overcurrent Protection Device Size	30	30	30	15	15	15	45	45
Compressor Motor	Maximum Overcurrent Protection Device Size	35	35	35	15	15	15	50	50
	No.	1	1	1	1	1	1	1	1
	Volts	208/230	208/230	208/230	460	460	460	208/230	208/230
	Phase	3	3	3	3	3	3	1	1
	RPM	3500	3500	3500	3500	3500	3500	3500	3500
	HP, Compressor 1								
	Amps (RLA), Comp. 1	12.6	12.6	12.6	6	6	6	19.9	19.9
	Amps (LRA), Comp. 1	123	123	123	60	60	60	109	109
	HP, Compressor 2								
Condenser Motor	Amps (RLA), Comp. 2								
	Amps (LRA), Comp. 2								
	No.	1	1	1	1	1	1	1	1
	Volts	208/230	208/230	208/230	460	460	460	208/230	208/230
	Phase	1	1	1	1	1	1	1	1
	HP	1/3	1/3	1/3	1/3	1/3	1/3	1/3	1/3
Evaporator Fan	Amps (FLA, each)	2	2	2	1	1	1	2	2
	Amps (LRA, each)	3.9	3.9	3.9	2.2	2.2	2.2	3.9	3.9
	No.	1	1	1	1	1	1	1	1
	Volts	208/230	208/230	208/230	460	460	460	208/230	208/230
	Phase	1	1	1	1	1	1	1	1
Evaporator Fan	HP	1	1	1	1	1	1	1	1
	Amps (FLA, each)	7.6	7.6	7.6	4	4	4	8.9	8.9
	Amps (LRA, each)								

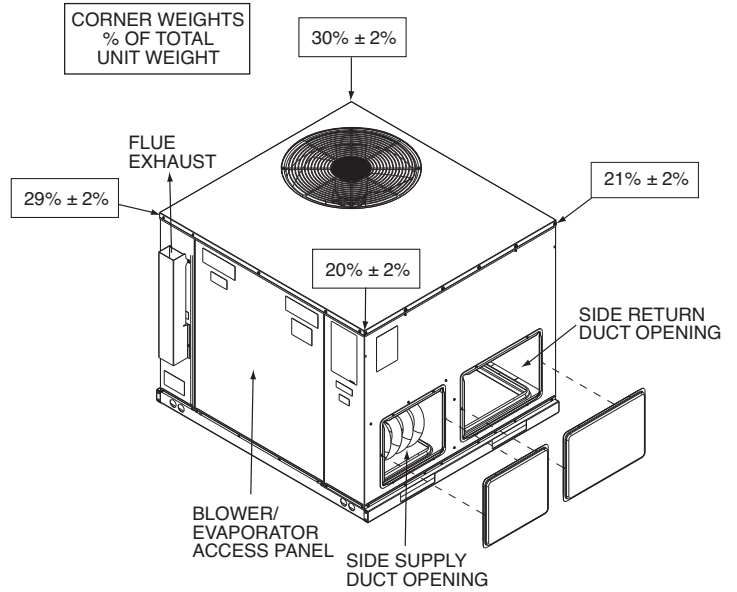
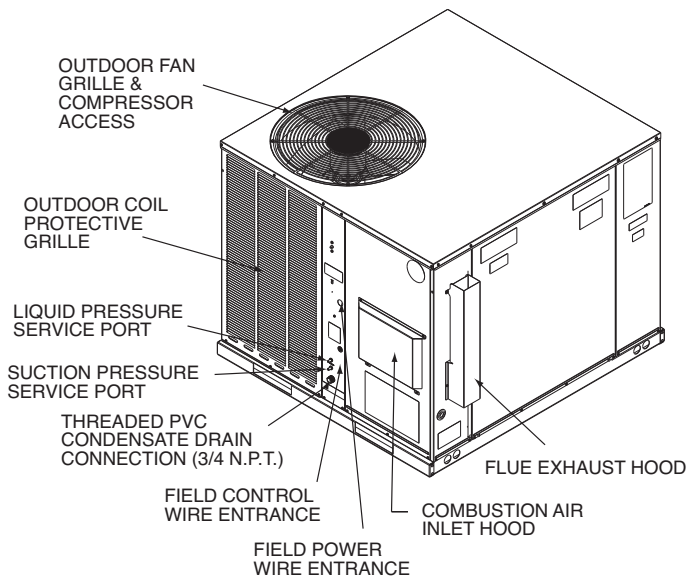
**ELECTRICAL DATA - RGEAZR SERIES**

		048AJT101/X	048AJT10U	060ACT081/X	060ACT101/X	060ACT10U	060ADT081/X	060ADT101/X	060ADT10U
<b>Unit Information</b>	Unit Operating Voltage Range	187-253	187-253	187-253	187-253	187-253	414-506	414-506	414-506
	Volts	208/230	208/230	208/230	208/230	208/230	460	460	460
	Phase	1	1	3	3	3	3	3	3
	Hz	60	60	60	60	60	60	60	60
	Minimum Circuit Ampacity	36	36	29	29	29	14	14	14
	Minimum Overcurrent Protection Device Size	45	45	35	35	35	15	15	15
	Maximum Overcurrent Protection Device Size	50	50	40	40	40	15	15	15
<b>Compressor Motor</b>	No.	1	1	1	1	1	1	1	1
	Volts	208/230	208/230	208/230	208/230	208/230	460	460	460
	Phase	1	1	3	3	3	3	3	3
	RPM	3500	3500	3500	3500	3500	3500	3500	3500
	HP, Compressor 1								
	Amps (RLA), Comp. 1	19.9	19.9	14	14	14	6.5	6.5	6.5
	Amps (LRA), Comp. 1	109	109	93	93	93	60	60	60
	HP, Compressor 2								
	Amps (RLA), Comp. 2								
Amps (LRA), Comp. 2									
<b>Condenser Motor</b>	No.	1	1	1	1	1	1	1	1
	Volts	208/230	208/230	208/230	208/230	208/230	460	460	460
	Phase	1	1	1	1	1	1	1	1
	HP	1/3	1/3	1/2	1/2	1/2	1/2	1/2	1/2
	Amps (FLA, each)	2	2	2.3	2.3	2.3	1.2	1.2	1.2
	Amps (LRA, each)	3.9	3.9	5.5	5.5	5.5	3	3	3
<b>Evaporator Fan</b>	No.	1	1	1	1	1	1	1	1
	Volts	208/230	208/230	208/230	208/230	208/230	460	460	460
	Phase	1	1	1	1	1	1	1	1
	HP	1	1	1	1	1	1	1	1
	Amps (FLA, each)	8.9	8.9	8.9	8.9	8.9	4	4	4
	Amps (LRA, each)								

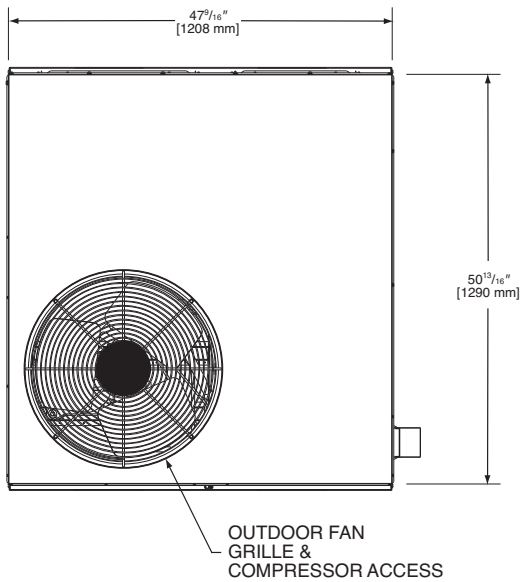


ELECTRICAL DATA - RGEAZR SERIES				
		060AJT081/X	060AJT101/X	060AJT10U
Unit Information	Unit Operating Voltage Range	187-253	187-253	187-253
	Volts	208/230	208/230	208/230
	Phase	1	1	1
	Hz	60	60	60
	Minimum Circuit Ampacity	41	41	41
	Minimum Overcurrent Protection Device Size	50	50	50
	Maximum Overcurrent Protection Device Size	60	60	60
Compressor Motor	No.	1	1	1
	Volts	208/230	208/230	208/230
	Phase	1	1	1
	RPM	3500	3500	3500
	HP, Compressor 1			
	Amps (RLA), Comp. 1	23.5	23.5	23.5
	Amps (LRA), Comp. 1	118	118	118
	HP, Compressor 2			
	Amps (RLA), Comp. 2			
Amps (LRA), Comp. 2				
Condenser Motor	No.	1	1	1
	Volts	208/230	208/230	208/230
	Phase	1	1	1
	HP	1/2	1/2	1/2
	Amps (FLA, each)	2.3	2.3	2.3
	Amps (LRA, each)	5.5	5.5	5.5
Evaporator Fan	No.	1	1	1
	Volts	208/230	208/230	208/230
	Phase	1	1	1
	HP	1	1	1
	Amps (FLA, each)	8.9	8.9	8.9
	Amps (LRA, each)			

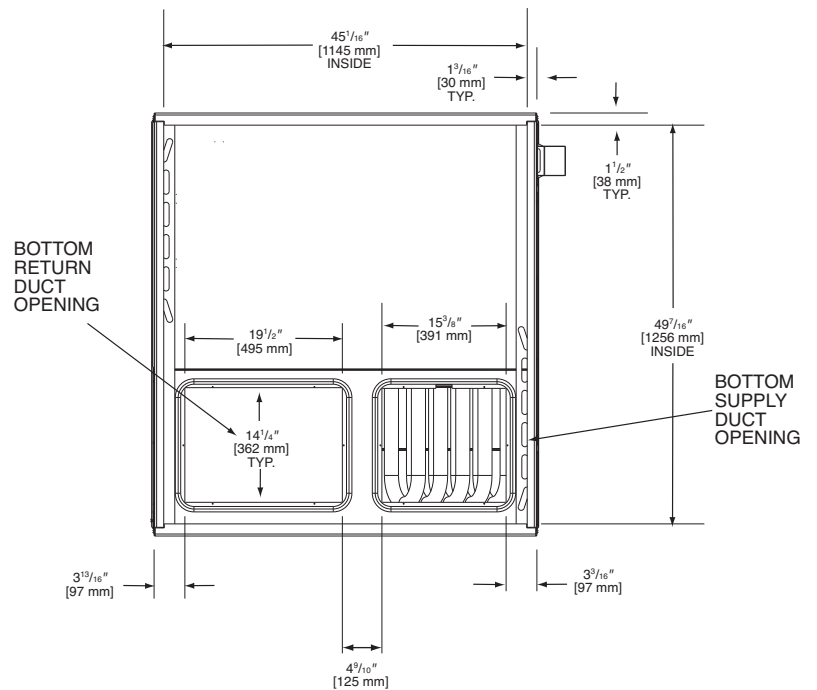
**Dimensional Data**  
RGEAZR Series



**TOP VIEW**

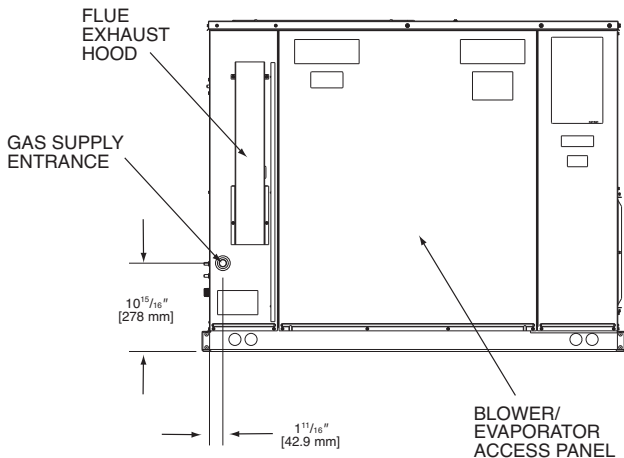


**BOTTOM VIEW**

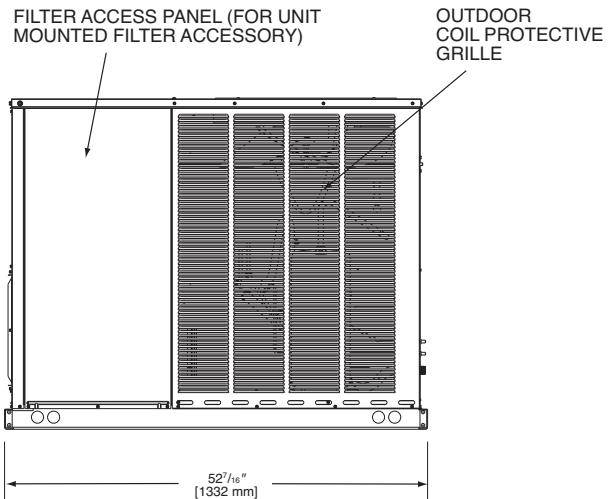


[ ] Designates Metric Conversions

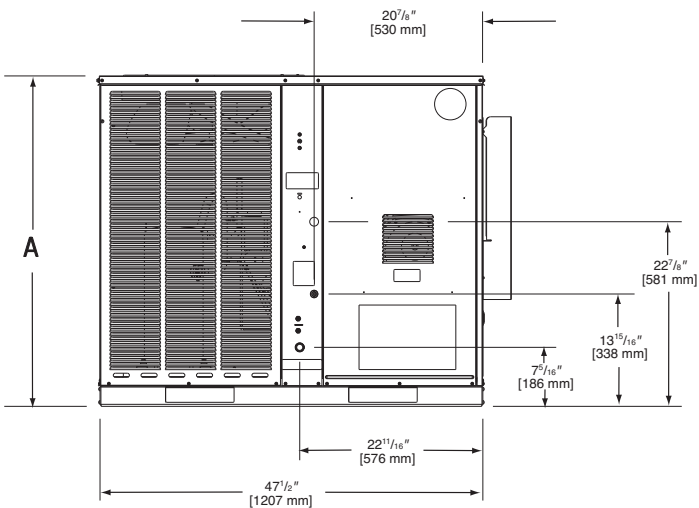
### SIDE VIEW



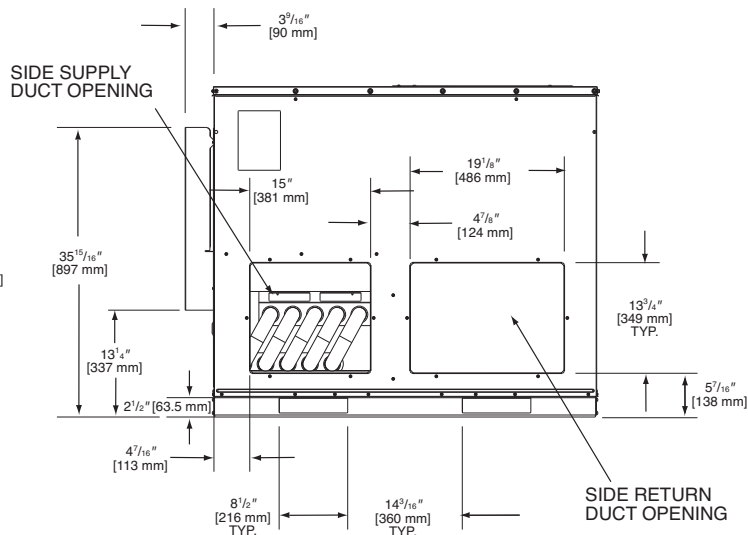
### SIDE VIEW



### FRONT VIEW



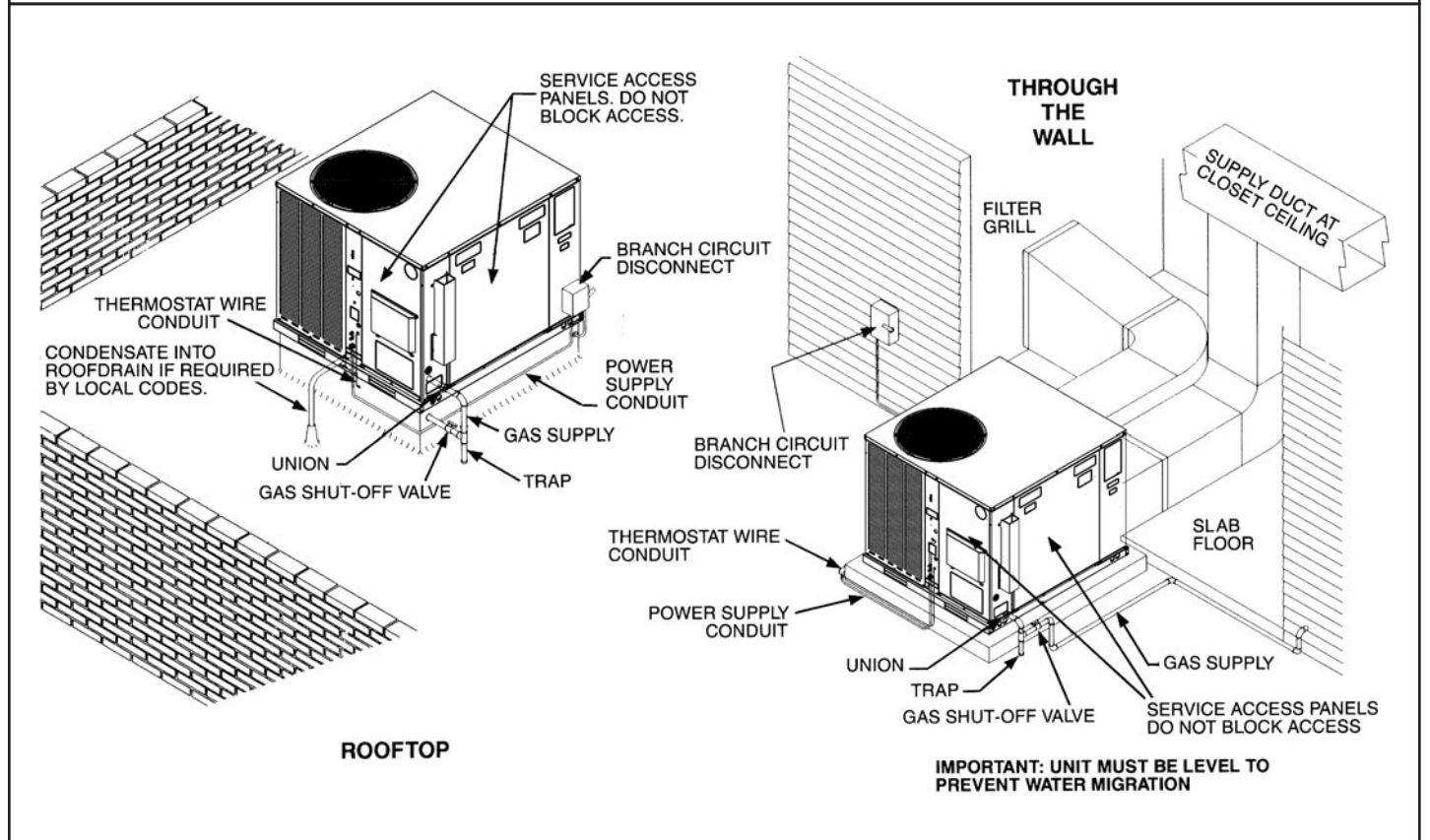
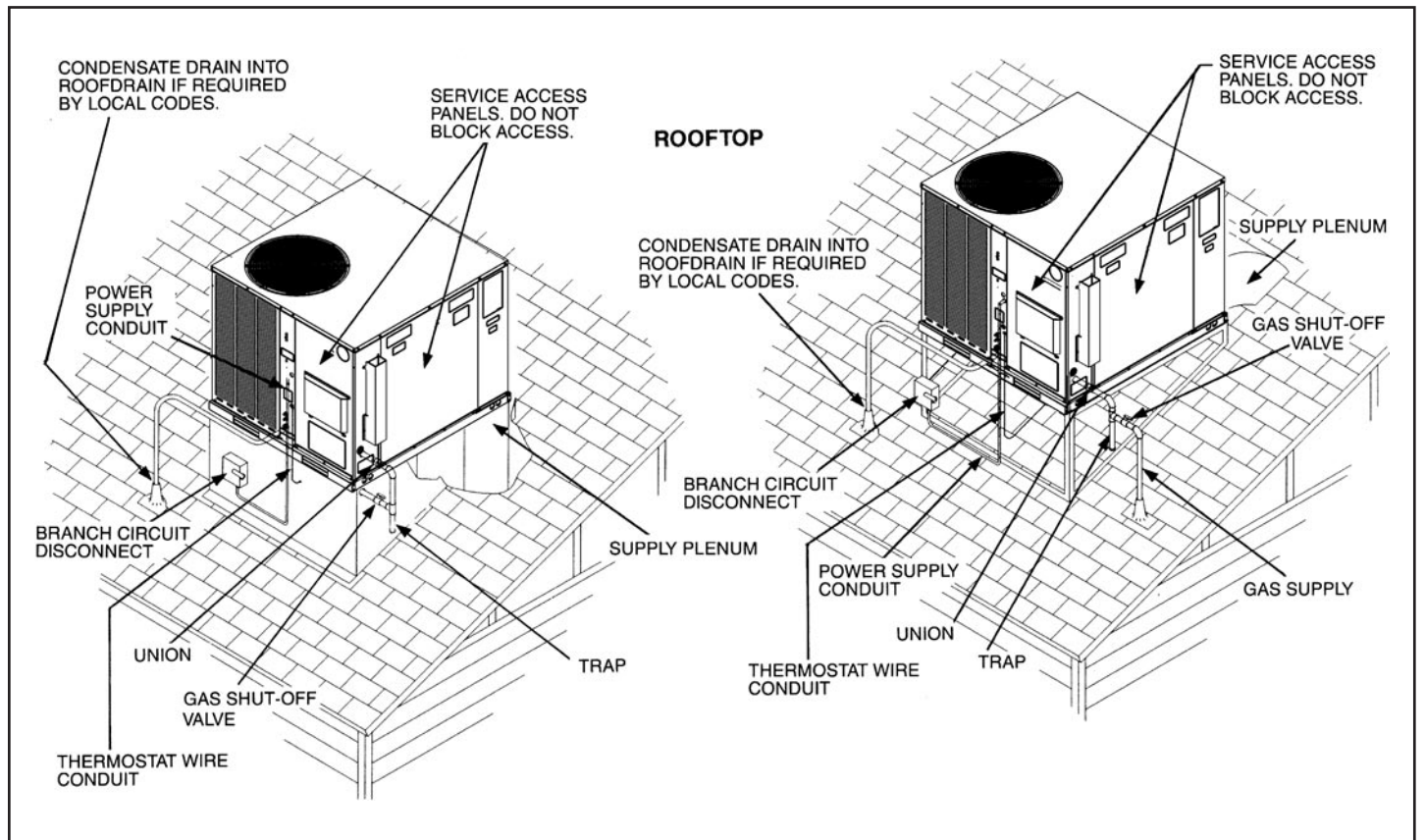
### BACK VIEW



SHOWN WITH DUCT COVERS REMOVED.

Models RGEAZR	Height "A"
024, 030, 036	$35^{15/16}$ "
042, 048, 060	41"

[ ] Designates Metric Conversions



[ ] Designates Metric Conversions

## ACCESSORY EQUIPMENT

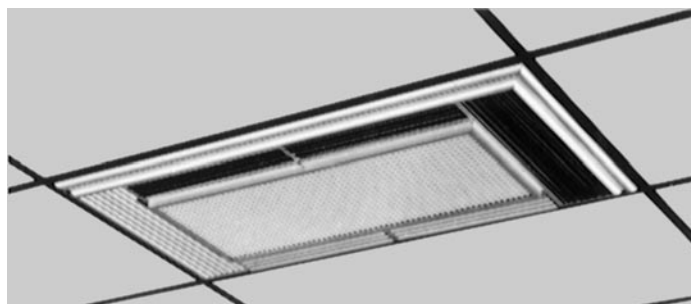
Accessory Description	Model Application	Accessory Model No.
Roofcurb	RGEA	RXSG-AAA08 (8" [203 mm] Height) RXSG-AAA14 (14" [356 mm] Height)
Duct Adapter Square to Round Transition (Sideflow)	RGEA	AXMC-BA01
Supply & Return Diffusers (Downflow)	RGEA	RXRN-BD15
Rectangular to Round Transition (Downflow)	RGEA	RXMC-CA02 (16" [406 mm] Ducts) RXMC-CA03 (18" [457 mm] Ducts)
Economizers (Convertible)	RGEA	AXRD-01RACAM3
Dual Enthalpy Kit	RGEA	RXXR-AV04
Fresh Air Damper	RGEA	AXRF-FAA1 (Fixed-35%) AXRF-FAB1 (Motorized-35%)
LP Conversion Kits <sup>1</sup>	RGEA	RXGJ-EP94D
Filter Kit	RGEA	RXRY-B01
Low Ambient Control	RGEA	RXPZ-G01
Low Pressure Control <sup>2</sup>	RGEA	RXAC-C01
Phase Monitor Kit	3ph-RGEA	RXXR-PM3A01

<sup>1</sup> If a particular unit is to be converted to operate on LP (propane) for elevations above 2000 ft. [609.6 m] in Canada, the existing Natural Gas to LP Conversion Kits for the subject models already contain the necessary orifices and instructions to de-rate the input for 2000-4500 ft. [609.6-1371.6 m] Canadian applications.

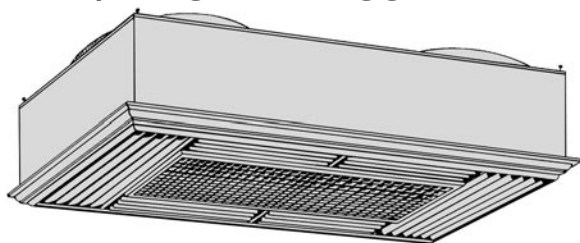
<sup>2</sup> High pressure switches are standard for RGEA Models.

[ ] Designates Metric Conversions

## COMMON SUPPLY/RETURN CONCENTRIC AIR DIFFUSER



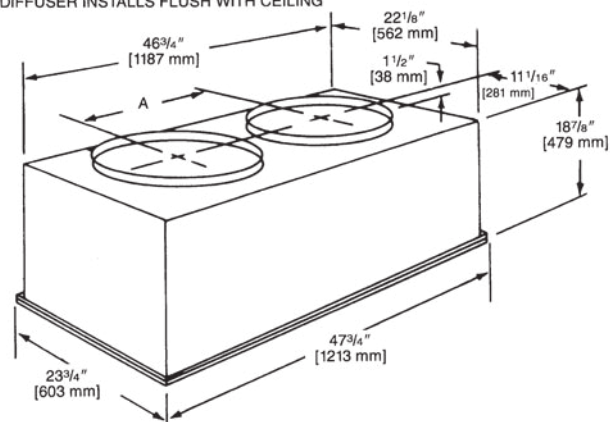
## SUPPLY/RETURN DIFFUSER



Designed to convert a side by side or an over and under arrangement into a concentric distribution of air. The diffuser is flush mounted, completely insulated, assembled, and internally baffled to provide four way supply air distribution with a center return. To make the assembly complete and ready to fit into a 2' [0.61 m] x 4' [1.22 m] suspended ceiling grid, the diffuser includes adjustable supply louvers, hanging rings, anti-sweat gasket, and round flanges for use with flexible ducts.

Model No.	Diameter Inches [mm]	Shipping Wt. Lbs. [kg]	Dimension A Inches [mm]
RXRN-BD15	16 [406]	90 [40.82]	20 1/2 [521]

DIFFUSER INSTALLS FLUSH WITH CEILING



**NOTE:** The location of the combination supply and return diffuser should not exceed 10 feet [3.05 m] above the floor level for units @ 1000 CFM [472 L/s] or less and 12 [3.66 m] to 14 feet [4.27 m] above the floor level for units with CFM greater than 1000 [472 L/s]. If the diffuser is installed with a greater distance than recommended above, the supply air may become stratified above the required comfort area causing uncomfortable conditions.

## AIRFLOW/PRESSURE DROP INFORMATION (INCHES W.C. [kPa])

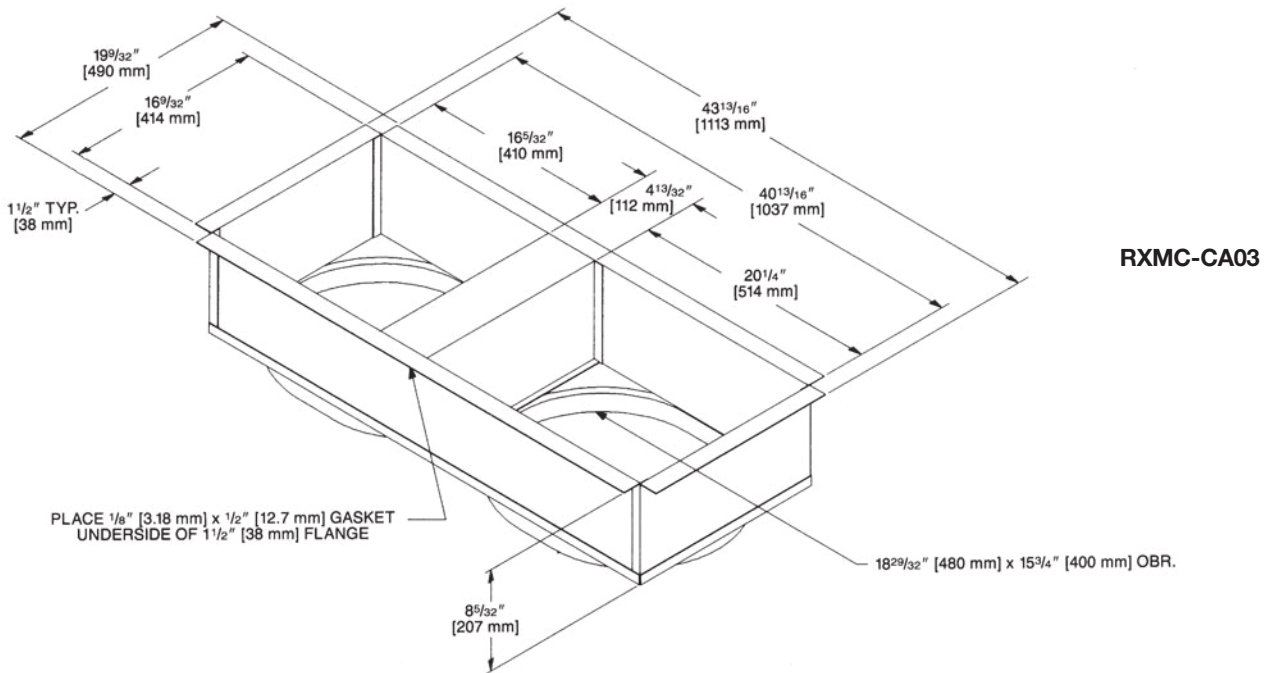
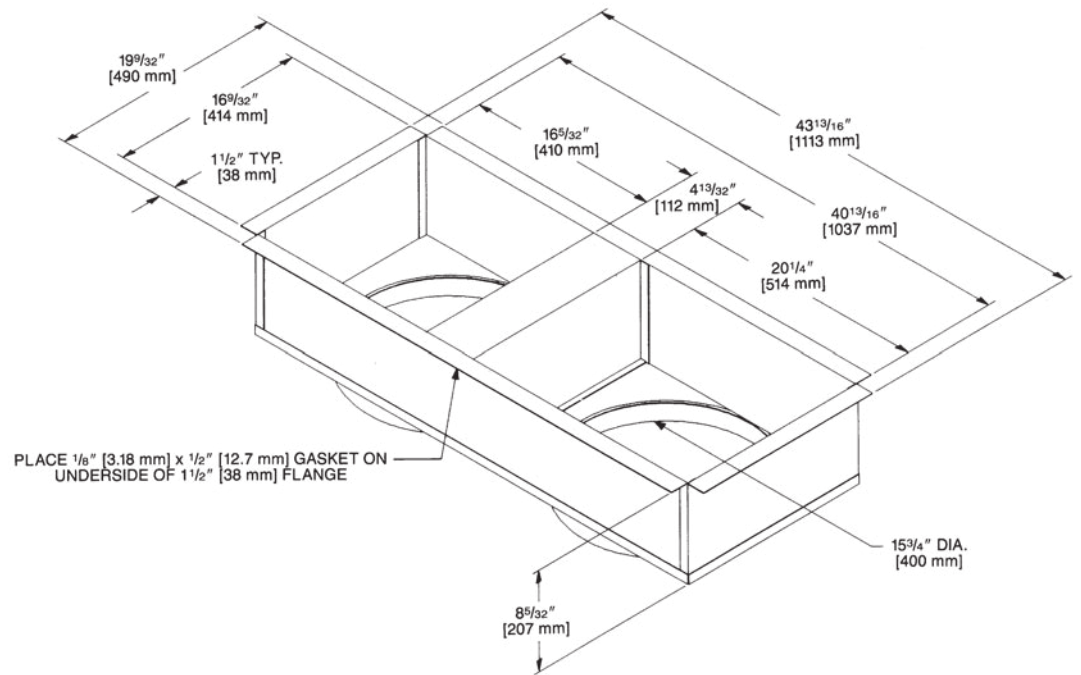
Accessory	Approximate CFM [L/s]-Supply Air			
	1300 [614]	1575 [743]	1800 [850]	2200 [1038]
Plenum & Supply/Return Duct	.07 [.017]	.10 [.024]	.12 [.030]	.17 [.042]
Diffuser	.09 [.022]	.13 [.032]	.16 [.040]	.24 [.060]
Economizer	.06 [.015]	.09 [.022]	.11 [.027]	.17 [.042]

## SUPPLY AIR/PERFORMANCE

Diffuser Airflow CFM [L/s]	Range of Throw Ft. [m]
800 [378]-1200 [566]	14 [4.27]-16 [4.88]
1600 [755]-2000 [944]	18 [5.49]-28 [8.53]

## DUCT ADAPTERS RECTANGULAR TO ROUND TRANSITIONS (DOWNFLOW)

**RXMC-CA02**



[ ] Designates Metric Conversions

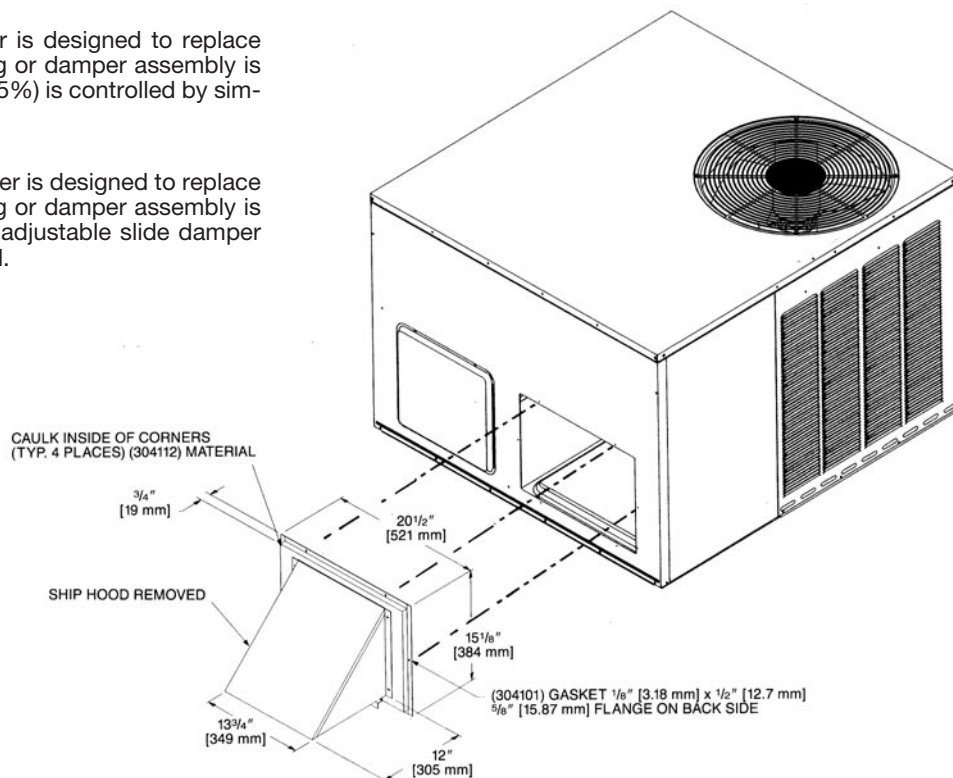
## FRESH AIR DAMPER

### **AXRF-FAA1 (Fixed - 0-35%)**

The 0-35% manual outside Air Damper is designed to replace the unit return air duct cover. No drilling or damper assembly is required. The amount of outside air (0-35%) is controlled by simply adjusting the side damper.

### **AXRF-FAB1 (Motorized - 0-35%)**

The 0-35% motorized outside Air Damper is designed to replace the unit return air duct cover. No drilling or damper assembly is required. The control motor opens the adjustable slide damper when the unit blower motor is energized.



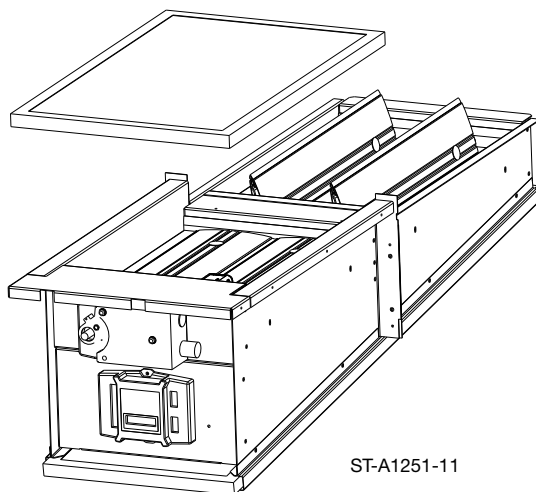
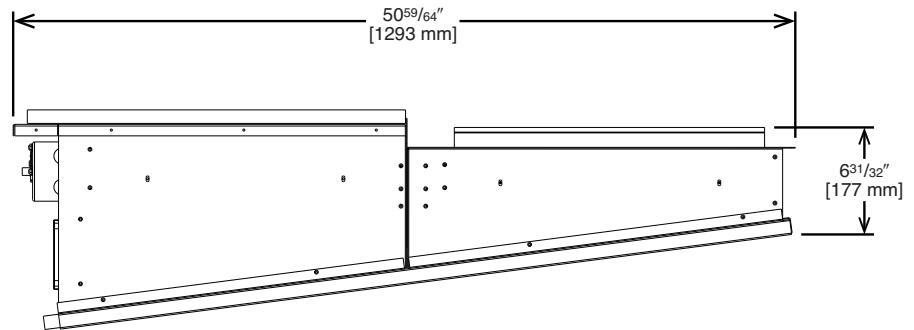
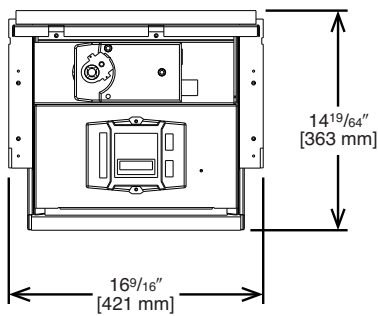
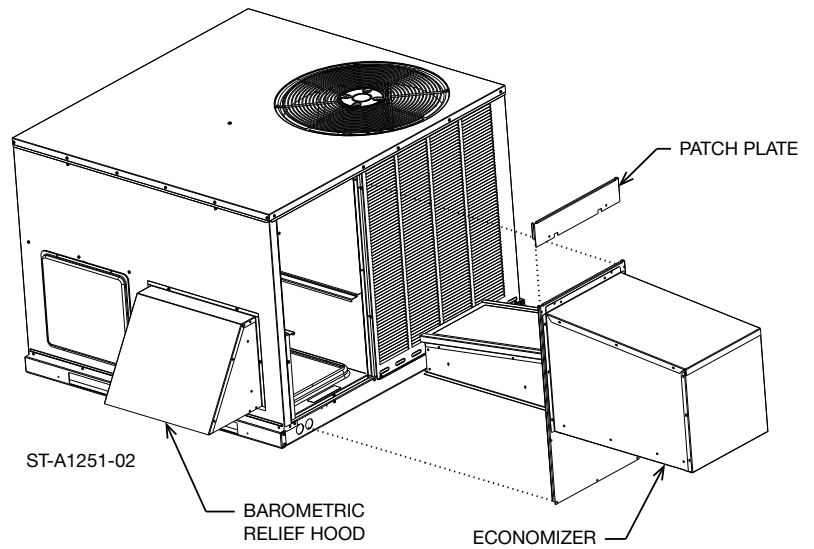
[ ] Designates Metric Conversions

## ECONOMIZERS

### AXRD-01RACAM3 (Fully Modulating)

#### Horizontally and Vertically Applicable

- LCD Screen for Continuous diagnostic and system status
- Programmable set points for accurate positioning
- Simplified wiring and color coded terminals
- Onboard fault detection and diagnostics (FDD)
- Operational Checkout to verify installation
- Enthalpy sensors and actuator that communicate through a Sylk Bus Network with the Jade Controller reducing wiring errors while providing more information
- CO<sub>2</sub> sensor input for DCV (Demand Control Ventilation) applications
- RXRX-AV04 Dual Enthalpy kit available for field installation
- AMCA licensed class 1A low leak Dampers

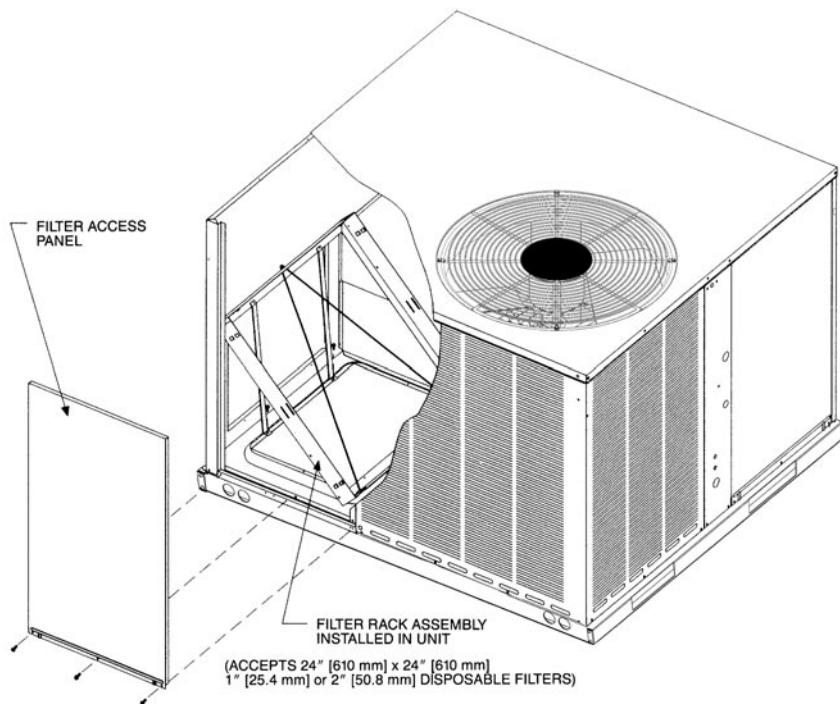


[ ] Designates Metric Conversions



# FILTER KIT INSTALLATION RXRY-B01

For use in either vertical or horizontal discharge



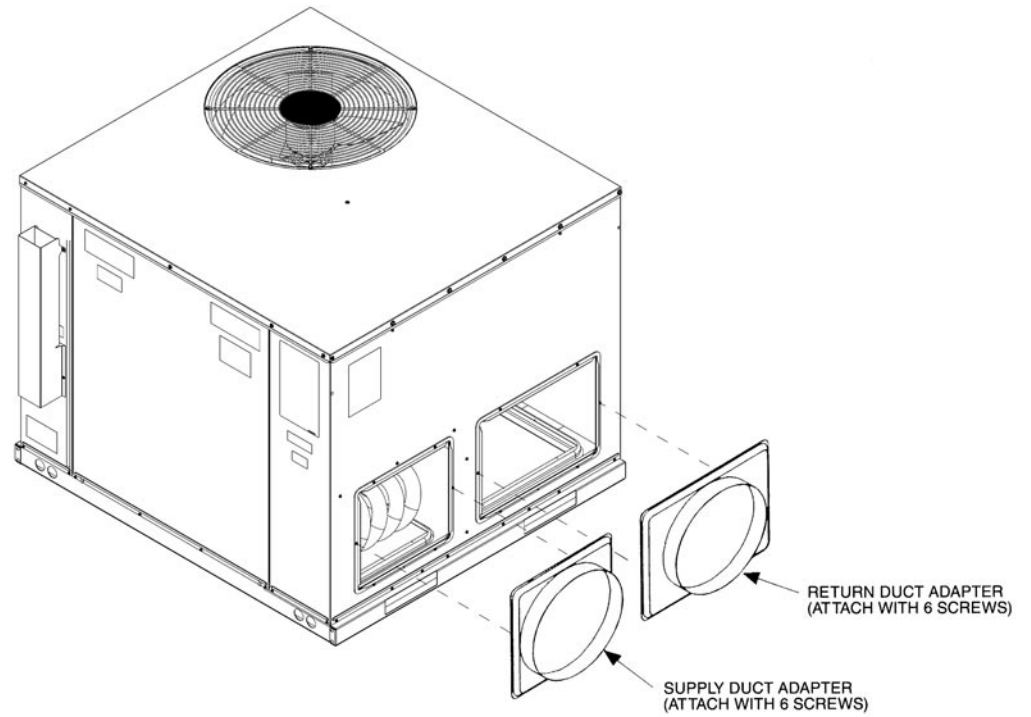
Airflow Pressure Drop, Inches W.C. [kPa]		
CFM [L/s]	1" Filter	2" Filter
500 [236]	.02 [.0050]	.03 [.0075]
600 [283]	.02 [.0050]	.03 [.0075]
700 [330]	.03 [.0075]	.04 [.0010]
800 [378]	.04 [.0010]	.05 [.0124]
900 [425]	.05 [.0124]	.06 [.0149]
1000 [472]	.07 [.0174]	.08 [.0199]
1100 [519]	.08 [.0199]	.09 [.0224]
1200 [566]	.10 [.0249]	.12 [.0299]
1300 [614]	.13 [.0324]	.15 [.0373]
1400 [661]	.16 [.0398]	.19 [.0473]
1500 [708]	.19 [.0473]	.21 [.0523]
1600 [755]	.20 [.0498]	.23 [.0572]
1700 [802]	.21 [.0523]	.24 [.0598]
1800 [850]	.22 [.0548]	.25 [.0623]
1900 [897]	.24 [.0598]	.27 [.0672]
2000 [944]	.26 [.0647]	.29 [.0722]

[ ] Designates Metric Conversions

## DUCT ADAPTER SIDEFLOW SQUARE TO ROUND TRANSITION AXMC-BA01

Adapts the side rectangular supply and return openings to 14" [356 mm] diameter round openings. Adapters provided with same finish as unit and also provided with thermal insulation.

[ ] Designates Metric Conversions

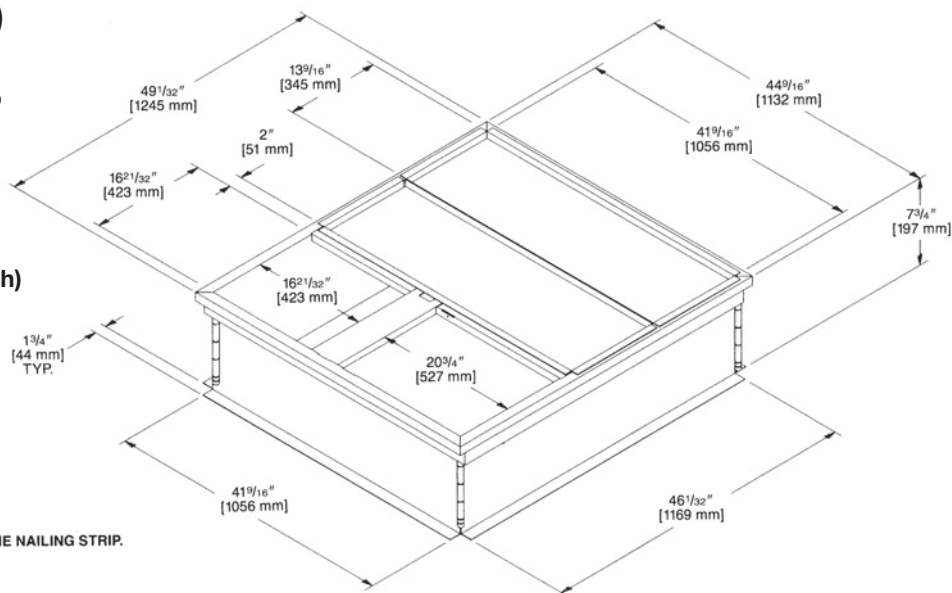


# ROOFCURB (Full Perimeter)

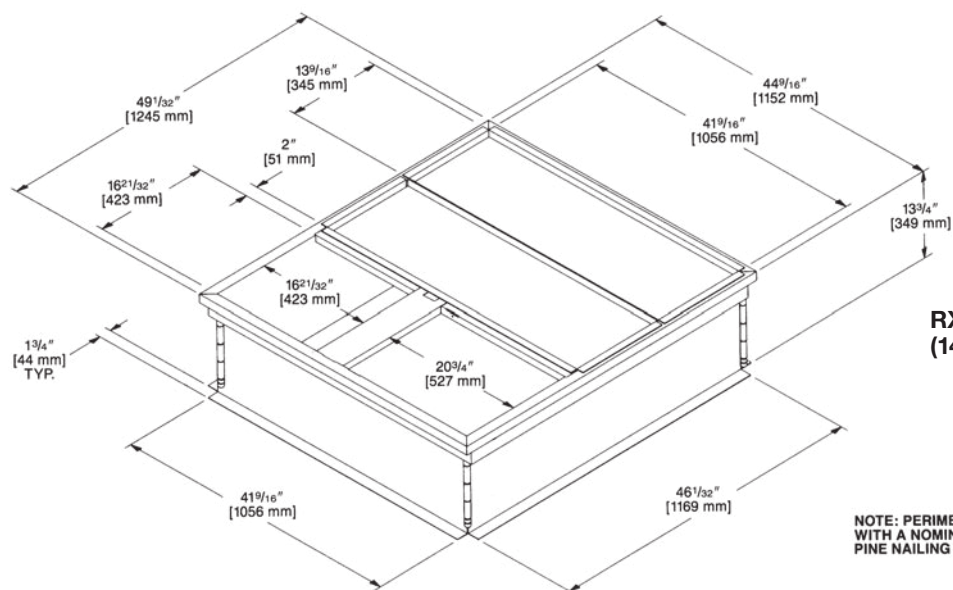
## RXSG-AAA08, RXSG-AAA14

Hinged corners make for fast, easy set-up

**RXSG-AAA08**  
**(8" [203 mm] High)**



NOTE: PERIMETER OF ROOFCURB IS SUPPLIED WITH A NOMINAL 1" [25.4 mm] x 4" [102 mm] PINE NAILING STRIP.

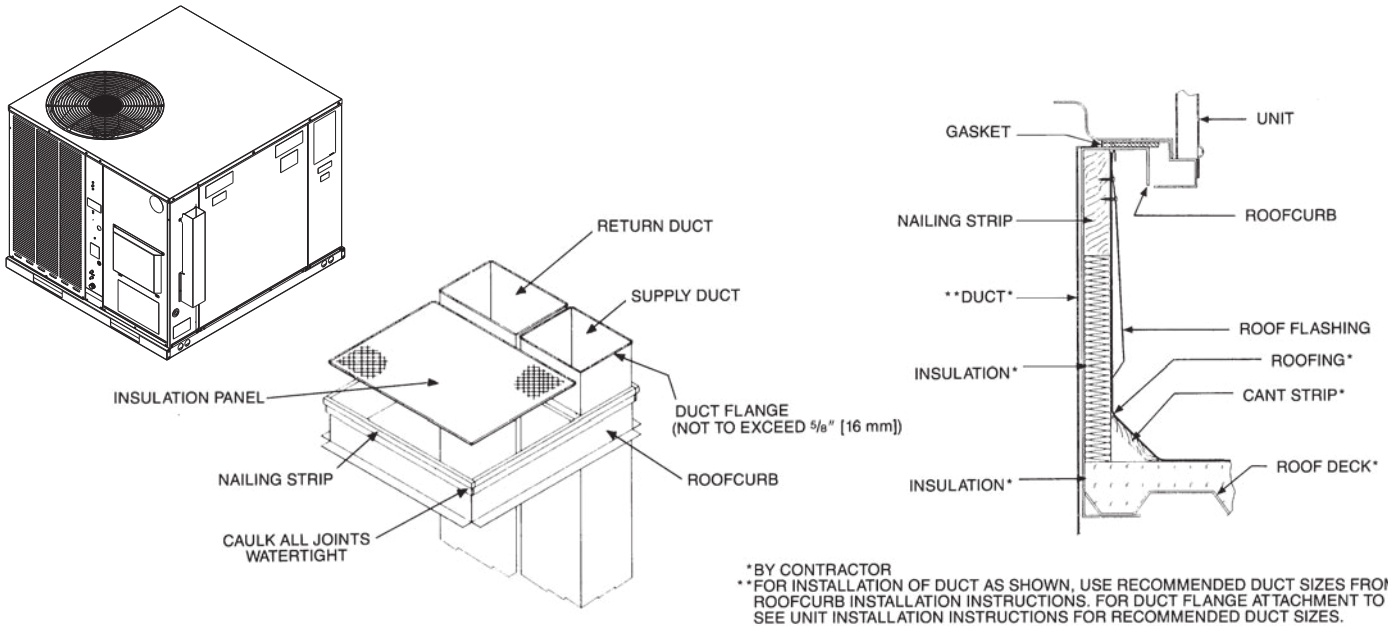


**RXSG-AAA14**  
**(14" [356 mm] High)**

NOTE: PERIMETER OF ROOFCURB IS SUPPLIED WITH A NOMINAL 1" [25.4 mm] x 4" [102 mm] PINE NAILING STRIP.

[ ] Designates Metric Conversions

# PACKAGED AIR CONDITIONERS & PACKAGED GAS/ELECTRIC UNITS ROOFCURB INSTALLATION (Full Perimeter)



## ROOFCURB ADAPTERS

Fabricated from galvanized steel to adapt the New cabinet to the old style curb. All are furnished with a New gasket.

### OLD MODEL

**SMALL CABINET**  
(1 1/2-2 TON) [5.28-7.03 KW]  
RSNC-, RSND-, RSNE-  
RRGE-, RRGF-, RRGG-, RSNY

**MEDIUM CABINET**  
(2 1/2-3 TON) [8.79-10.55 KW]  
RSNC-, RSND-, RSNE-  
RRGE-, RRGF-, RRGG-, RSNY

**EXTRA LARGE CABINET**  
(3 1/2-5 TON) [12.31-17.6 KW]  
RSNC-, RSND-, RSNE-  
RRGE-, RRGF-, RRGG-, RSNY  
(4-5 TON) [14.07-17.58 kW]

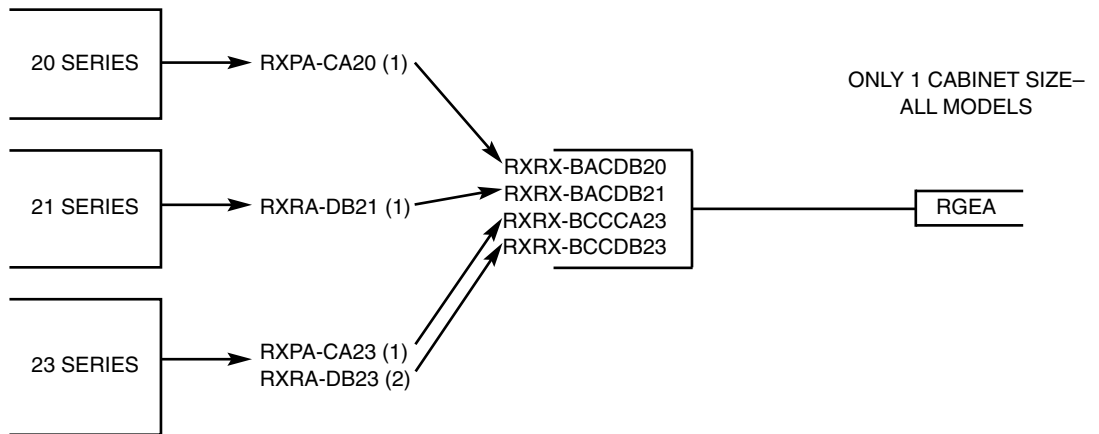
(1) SLOPE TYPE  
(2) FULL PERIMETER TYPE

[ ] Designates Metric Conversions

### OLD CURB MODEL

### NEW MODEL TO OLD MODEL ROOF ADAPTER

### NEW MODEL PACKAGE







## GENERAL TERMS OF LIMITED WARRANTY\*

Ruud will furnish a replacement for any part of this product which fails in normal use and service within the applicable periods stated, in accordance with the terms of the limited warranty.

### Heat Exchanger

Factory Standard .....	Ten (10) Years
Stainless Steel/1-Phase & 3-Phase Models	
Commercial Application.....	Twenty (20) Years
Stainless Steel/1-Phase Models	
Residential Application .....	Limited Lifetime

\*For complete details of the Limited and Conditional Warranties, including applicable terms and conditions, contact your local contractor or the Manufacturer for a copy of the product warranty certificate.

### Conditional Parts (Registration Required)

1 Phase, Residential Applications.....Ten (10) Years

### Compressor

1 Phase, Residential Applications.....	Ten (10) Years
1 & 3 Phase, Commercial Applications.....	Five (5) Years

### Parts

Commercial Applications.....One (1) Year

**Before proceeding with installation, refer to installation instructions packaged with each model, as well as complying with all Federal, State, Provincial, and Local codes, regulations, and practices.**

Trademarks are property of their respective owners.

*In keeping with its policy of continuous progress and product improvement, Ruud reserves the right to make changes without notice.*

5600 Old Greenwood Road  
Fort Smith, Arkansas 72908 • [www.ruud.com](http://www.ruud.com)

125 Edgeware Road, Unit 1  
Brampton, Ontario • L6Y 0P5

**RELY ON RUUD.™**