



## Ruud High Efficiency Two-Stage EcoNet Enabled Air Handler



### RH2T- Series

Constant Torque Motor (ECM)  
Electronic Expansion Valve (EEV)  
Efficiencies up to 17 SEER



- The RH2T is EcoNet Enabled: This allows the RH2T to directly communicate with the EcoNet Smart Home System.
- The RH2T\*E features an Electronic Expansion Valve (EEV)
- The RH2T features a Constant Torque Two-stage motor (ECM) which provides enhanced SEER performance with most Ruud outdoor units.
- Evaporator is constructed of aluminum fins bonded to internally grooved aluminum tubing.
- Versatile 4-way convertible design for upflow, downflow, horizontal left and horizontal right applications.
- Factory-installed indoor coil.
- Sturdy cabinet construction with 1.0 inch [25.4 mm] of foil faced insulation for excellent sound and insulating characteristics.
- Field-installed auxiliary electric heater kits provide exact heat for indoor comfort. Kits include circuit breakers which meet U.L. and cUL requirements for service disconnect.
- 1 $\frac{1}{2}$  ton [5.3 kW] through 5 ton [17.6 kW] models are between 42 $\frac{1}{2}$  to 57 inches [1080 to 1448 mm] tall and 22 inches [559 mm] deep.
- All models meet or exceed 330 to 400 CFM [156 to 189 L/s] per ton at .3 inches [.7 kPa] of external static pressure.
- Enhanced airflow up to .7" external static pressure.
- Suitable for application in mobile homes.

# TABLE OF CONTENTS

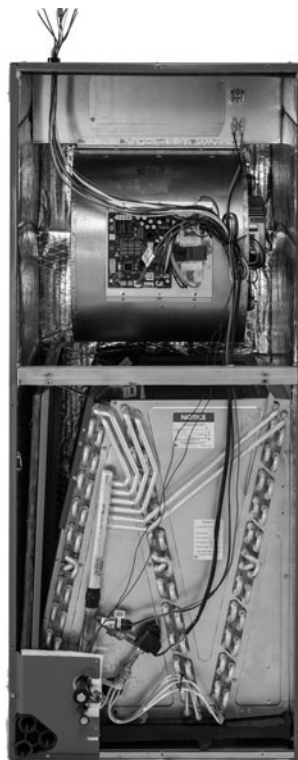
Engineering Features .....	3
Model Number Identification .....	4
Dimensional Data .....	5-6
Airflow Directional Data .....	7
Airflow Performance Data .....	8-14
Electrical Data.....	15-18
Electrical Wiring .....	19
Accessories.....	19
Limited Warranty .....	20

## Engineering Features

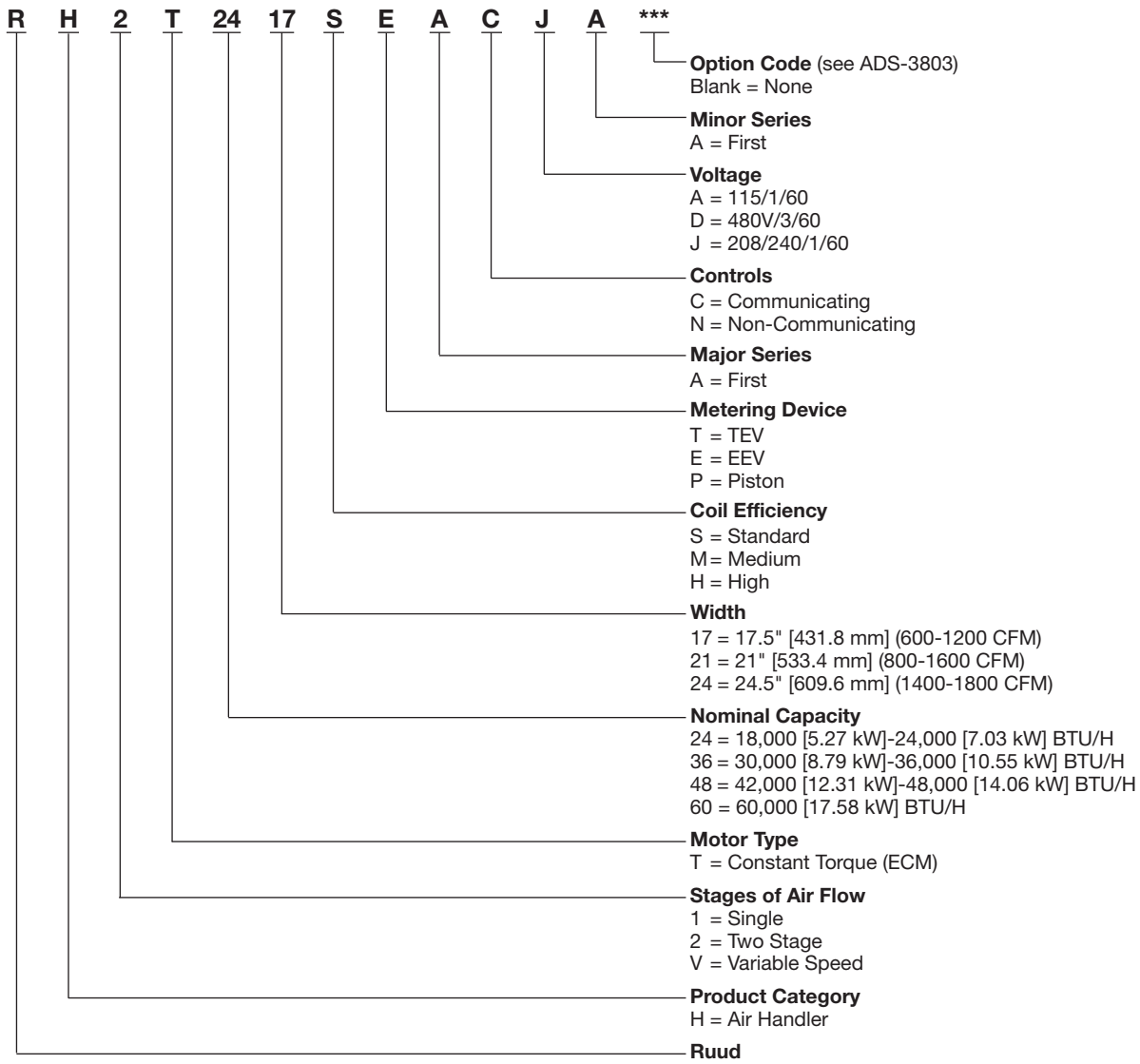
### RH2T- Series

- Equipped standard with an EcoNet Air Handler control board that allows it to directly communicate with the EcoNet Control Center. The EcoNet Control Center serves as the hub of communication for a home's Heating, Cooling, and Water Heating systems, and is required to operate an EcoNet Enabled Heating and Cooling system in fully communicating mode. An EcoNet WiFi kit can be added to the EcoNet network and will use the homeowner's wireless network and broadband Internet connection to enable remote operation of EcoNet Enabled equipment from the mobile-friendly web portal or mobile apps.
- Selected models equipped with an electronic expansion valve (EEV), which can intelligently change the EEV position based on system demands. By the measurement of the suction pressure via the vapor line pressure transducer (factory installed) and the vapor line thermistor (field connected to the vapor line, but factory provided within the air handler) the EcoNet enabled air handler control calculates the suction superheat at the indoor coil. This calculation permits the air handler control to make decisions for when to open and close the EEV for the purpose of maintaining a predetermined suction superheat. The EEV is equipped with a 4-pole removable external stator, and inlet and outlet chatleff fittings for optimal serviceability. These valves also have an internal check valve to provide heat pump compatibility. When operating in heating mode, the air handler control will open the EEV completely to permit the check valve to operate and maximize reverse refrigerant flow.
- The most compact unit design available, all standard heat air handler models only 42½ to 57 inches [1079 to 1448 mm] high.
- Attractive pre-painted cabinet exterior.
- Rugged wall steel cabinet construction, designed for added strength and versatility.
- 1.0" foil faced insulation mechanically retained in blower compartment for excellent thermal and sound performance.
- Four leg blower motor mount.
- Blower housing with controls, motor and blower. Slide out design for service and maintenance convenience.
- Traditional open wire element design for heat applications.
- Field convertible for vertical downflow, horizontal left hand or right hand air supply.
- 3 combustible floor base accessories fit all model sizes when required for downflow installations on combustible floors.
- Indoor coil design provides low air side pressure drop, high performance and extremely compact size.
- Coils are constructed of aluminum fins bonded to internally grooved aluminum tubing.
- Coils are tested at the factory with an extensive refrigerant leak check.
- Coils have copper sweat refrigerant connections.
- Coils utilize chatleff metering device connections.
- Molded polymer corrosion resistant condensate drain pan is provided on all indoor coils.
- Supply duct flanges provided as standard on air handler cabinet.
- Provisions for field electrical, connections available from either side or top of the air handler cabinet.
- Connection point for high voltage wiring is inside the air handler cabinet. Low voltage connection is made on the outside of the air handler cabinet.
- Concentric knockouts are provided for power connection to cabinet. Installer may pull desired hole size up to 2 inches [51 mm] for 1½ inch [38 mm] conduit.
- Front refrigerant and drain connections.

[ ] Designates Metric Conversions



Model Number Identification  
RH2T Series



[ ] Designates Metric Conversions

**Available EEV Models at J Voltage**

RH2T2417SEACJA
RH2T3617SEACJA
RH2T4821MEACJA
RH2T6021SEACJA

**Available TEV Models at J Voltage**

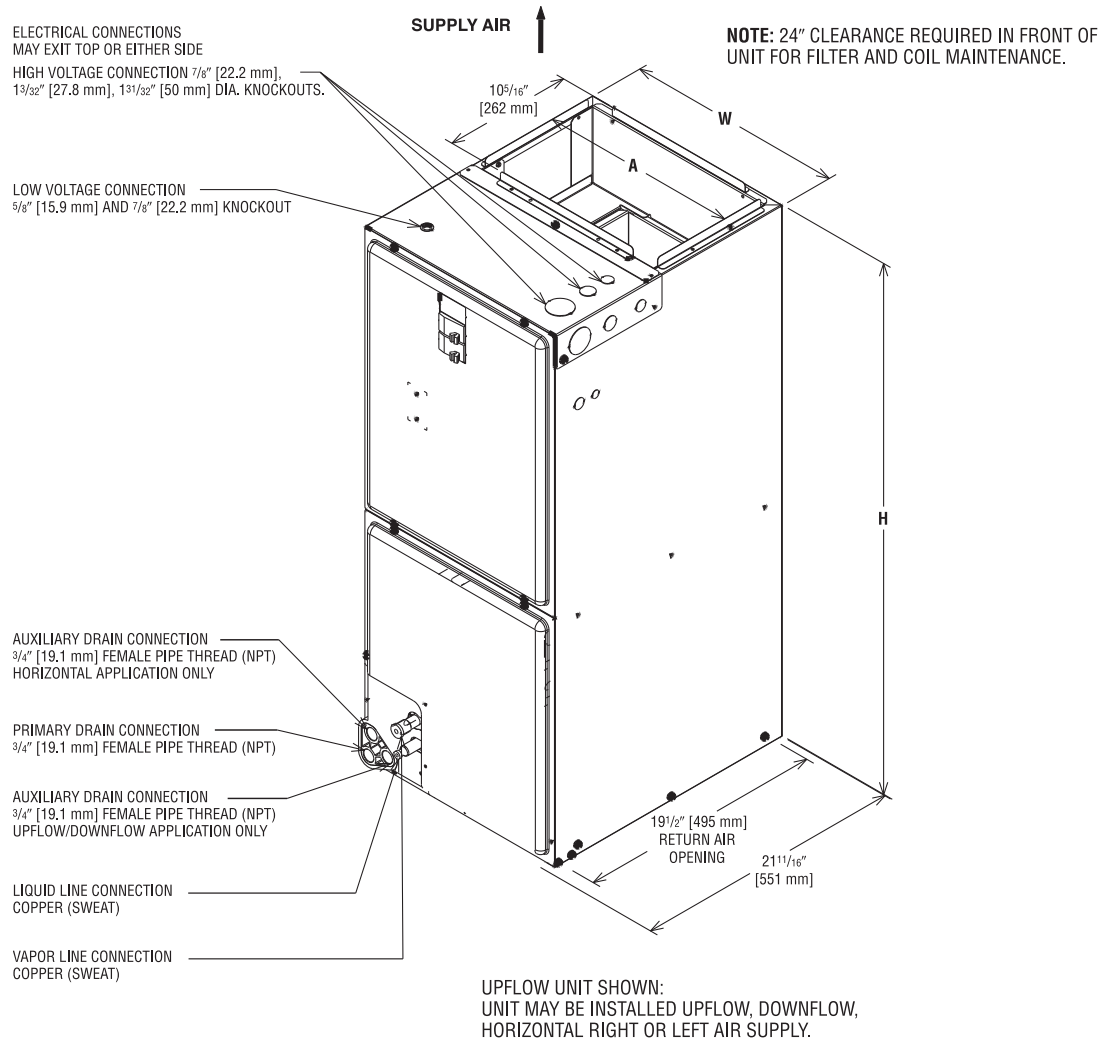
RH2T2417STACJA
RH2T2421MTACJA
RH2T3621MTACJA
RH2T4821MTACJA
RH2T6024MTACJA

## Unit Dimensions

### Return Air Opening Dimensions

Model Cabinet Size	Return Air Opening Width (Inches)	Return Air Opening Depth/Length (Inches)
17	15 <sup>7</sup> / <sub>8</sub>	19 <sup>3</sup> / <sub>4</sub>
21	19 <sup>3</sup> / <sub>8</sub>	19 <sup>3</sup> / <sub>4</sub>
24	22 <sup>7</sup> / <sub>8</sub>	19 <sup>3</sup> / <sub>4</sub>

[ ] Designates Metric Conversions



### Unit Dimensions & Weights

Model Size RH2T	Refrigerant Connections Sweat (In.) [mm] ID		Unit Height H In. [mm]	Unit Width W In. [mm]	Supply Duct A In. [mm]	Unit Weight/Shipping Weight (Lbs.) [kg]
	Liquid	Vapor				Unit With Coil (Max. KW)
2417S	3/8 [9.53]	3/4 [19.05]	42 1/2 [1080]	17 1/2 [444.5]	16 [406.4]	92/106 [42/48]
2421M	3/8 [9.53]	3/4 [19.05]	42 1/2 [1080]	21 [533.4]	19 1/2 [495.3]	111/126 [50/57]
3617S	3/8 [9.53]	3/4 [19.05]	42 1/2 [1080]	17 1/2 [444.5]	16 [406.4]	96/110 [44/50]
3621M	3/8 [9.53]	3/4 [19.05]	50 1/2 [1283]	21 [533.4]	19 1/2 [495.3]	129/145 [59/66]
4821M	3/8 [9.53]	7/8 [22.23]	57 [1448]	21 [533.4]	19 1/2 [495.3]	141/153 [64/69]
6021S	3/8 [9.53]	7/8 [22.23]	57 [1448]	21 [533.4]	19 1/2 [495.3]	141/153 [64/69]
6024M	3/8 [9.53]	7/8 [22.23]	55 1/2 [1410]	24 1/2 [622.3]	23 [584.0]	161/178 [73/81]

\*Maximum dehumidification airflow.

# Unit Dimensions

FIGURE 6  
VERTICAL DOWNFLOW & HORIZONTAL RIGHT APPLICATION

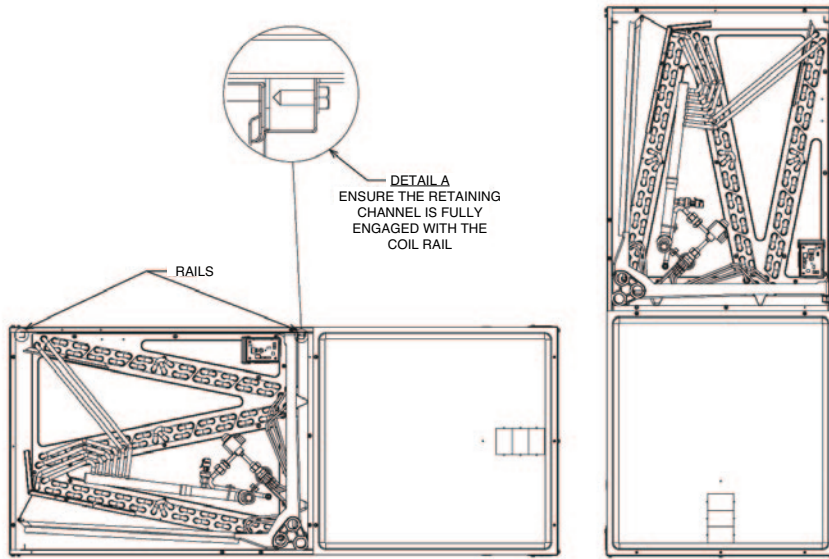
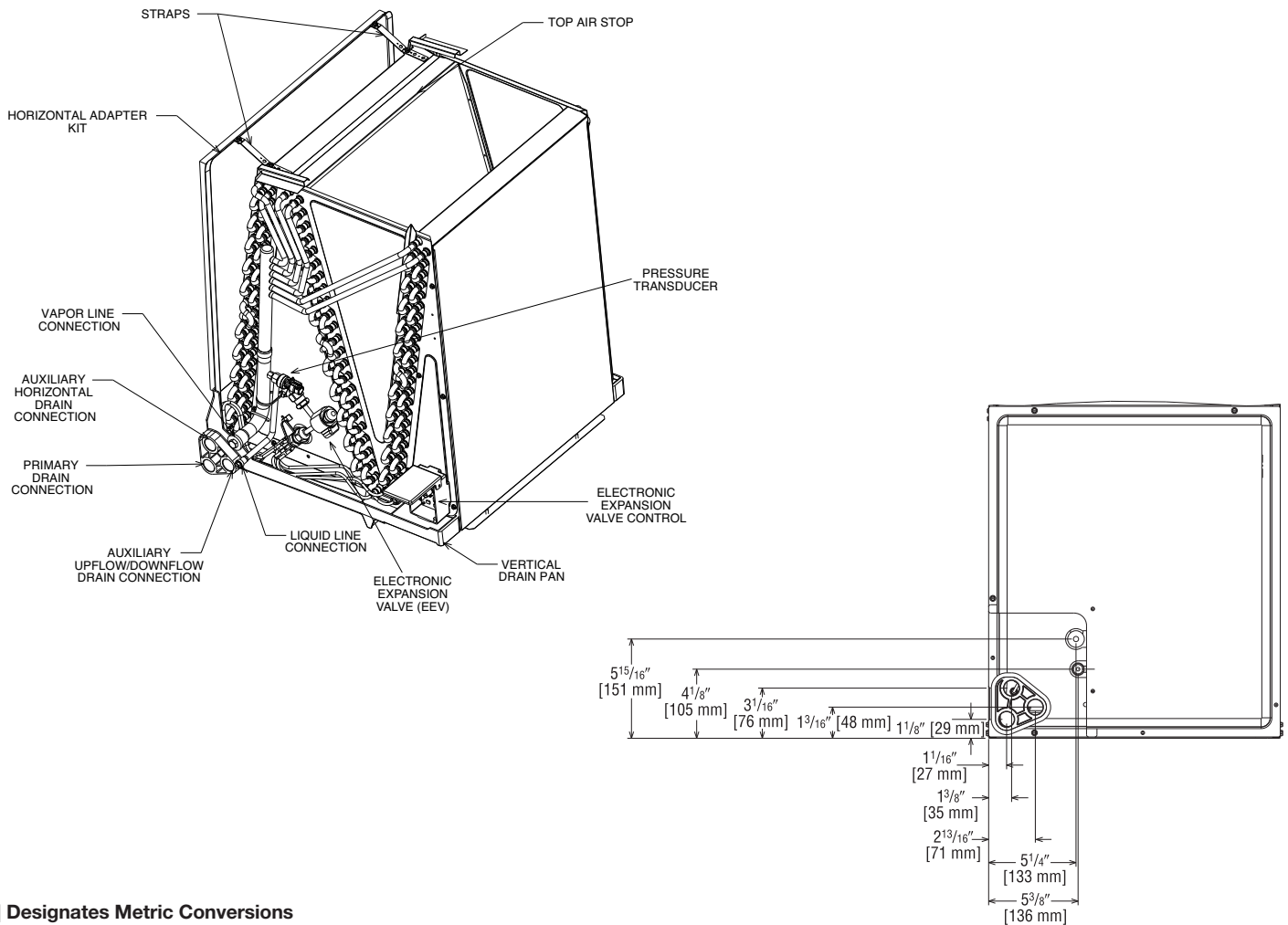
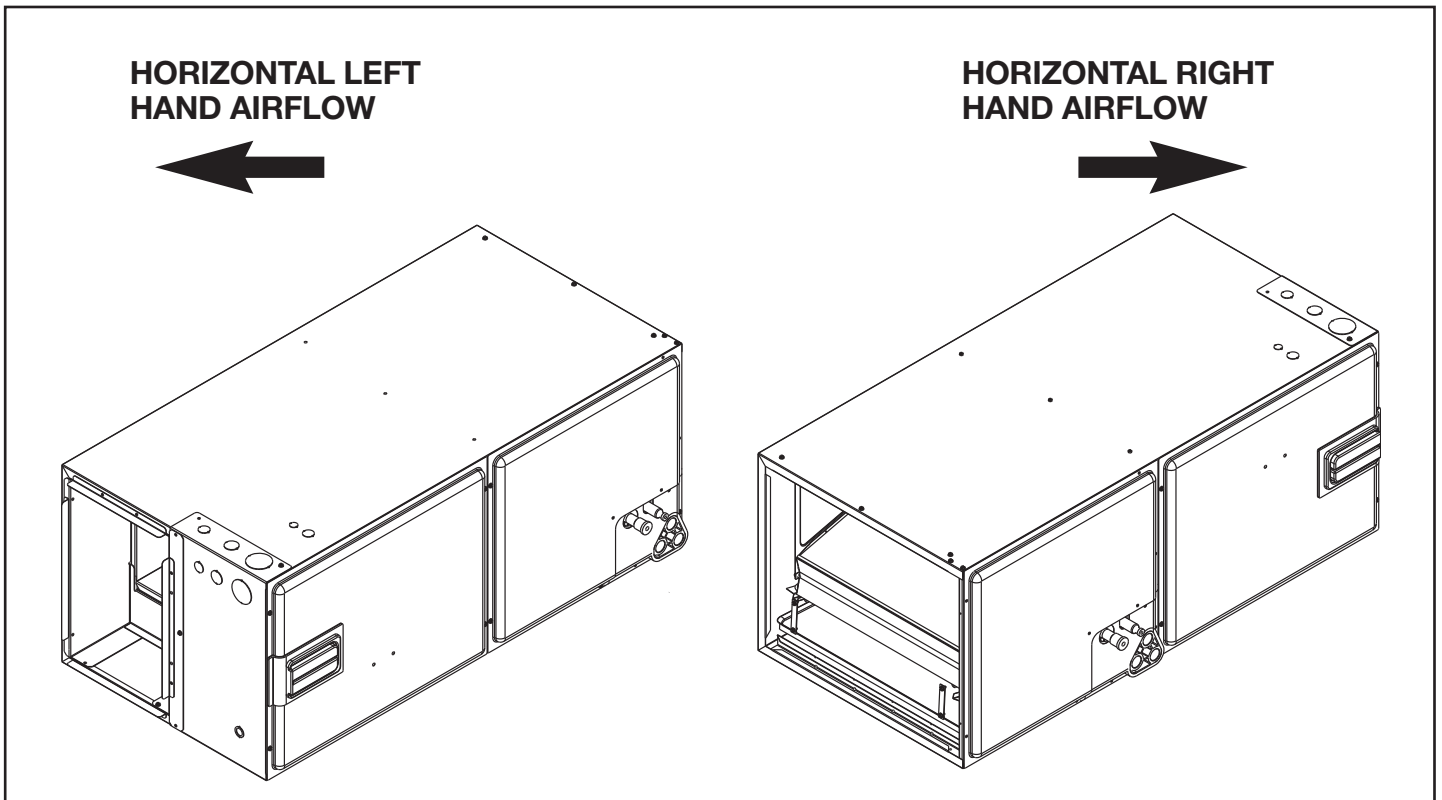
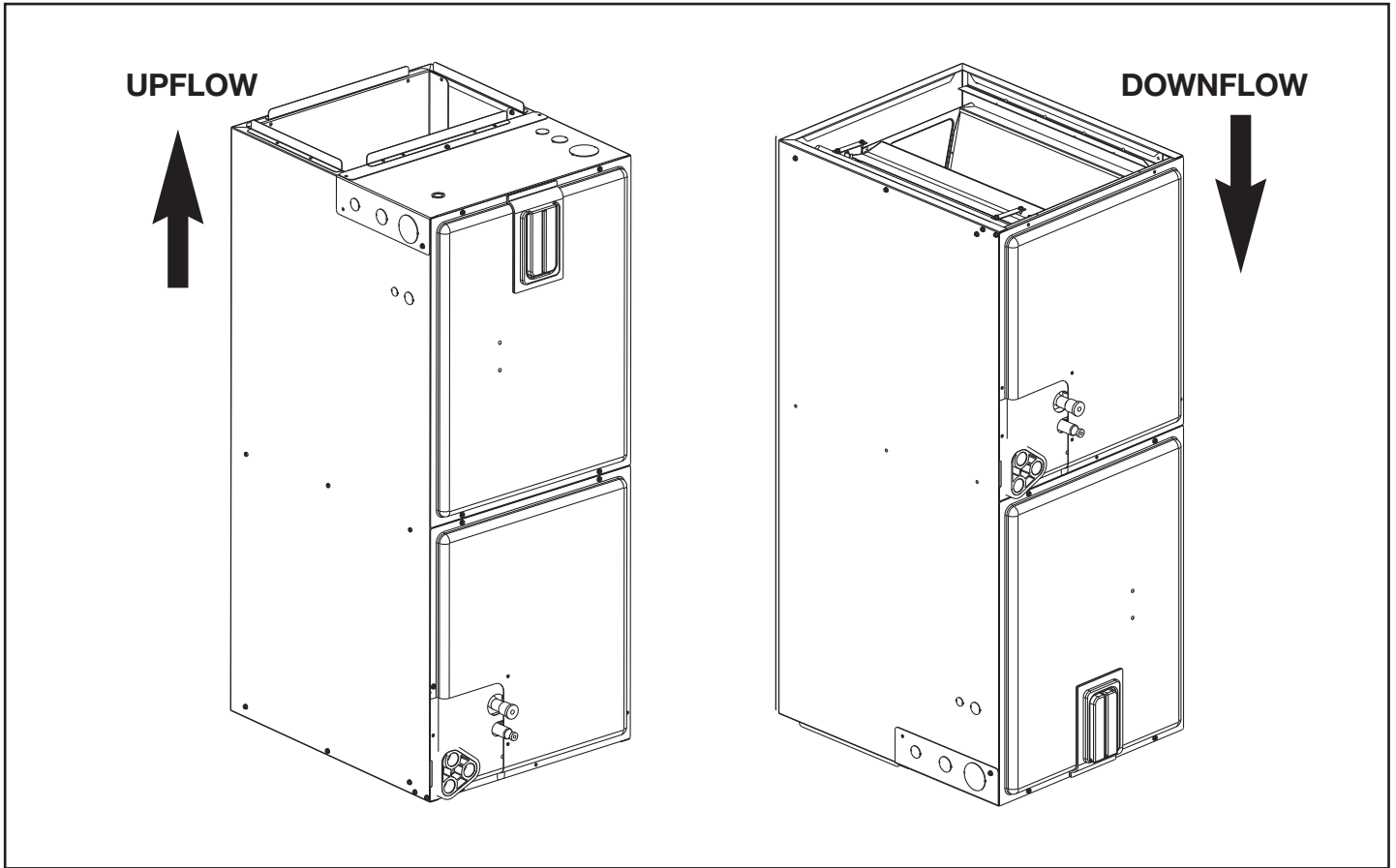


FIGURE 7  
INDOOR COIL AND DRAIN PAN SET-UP



[ ] Designates Metric Conversions

### Airflow Directional Data



## Airflow Performance

**Airflow performance data is based on cooling performance with a coil and no filter in place.** Select performance table for appropriate unit size, voltage and number of electric heaters to be used. Make sure external static applied to unit allows operation within the minimum and maximum limits shown in table

below for both cooling and electric heat operation. For optimum blower performance, operate the unit in the .3 [8 mm] to .7 inches [18 mm] W.C. external static range. Units with coils should be applied with a minimum of .1 inch [3 mm] W.C. external static range.

## Airflow Operating Limits

Model Cabinet Width	17/21	17/21	21	24
Cooling BTUH x 1,000	-24	-36	-48/-60	-60
Cooling Tons Nominal	2	3	4	5
Heat Pump or Air Conditioning Maximum Heat/Cool CFM [L/s] (37.5 CFM [18 L/s]/1,000 BTUH) (450 CFM [212 L/s]/Ton Nominal)	900 [425]	1350 [637]	1800 [850]	1930 [911]
Heat Pump or Air Conditioning Nominal Heat/Cool CFM [L/s] (33.3 CFM [16 L/s]/1,000 BTUH) (400 CFM [189 L/s]/Ton Nominal)	800 [378]	1200 [566]	1600 [755]	1800 [850]
Heat Pump or Air Conditioning Minimum Heat/Cool CFM [L/s] (30.0 CFM [14 L/s]/1,200 BTUH) (360 CFM [170 L/s]/Ton Nominal)	720 [340]	1080 [510]	1440 [680]	1620 [765]
Maximum kW Electric Heating & Minimum Electric Heat CFM [L/s]	13 617 [291]	18 1054 [497]	25 1502 [709]	30 1666 [786]
Maximum Electric Heat Rise °F [°C]	63 [17.2]	51 [10.6]	50 [10]	54 [12.2]

[ ] Designates Metric Conversions



## 208V/240V Airflow Performance Data—RH2T (Constant Torque (ECM) Motor)

Air Handler (-)H2T	Outdoor Unit	Motor Speed From Factory	Blower			Motor Speed	CFM [L/s] Air Delivery/RPM/Watts (No Filter)						
			Size Motor HP	Size	# Speeds		External Static Pressure—Inches W.C. [kPa]						
							0.1 [.02]	0.2 [.05]	0.3 [.07]	0.4 [.10]	0.5 [.12]	0.6 [.15]	0.7 [.17]
2417SE No Heat	(-)P1724	Y1 tap 4 Y2 tap 5	1/3	10x8	5	2	837 [395]	713 [336]	608 [287]	554 [261]	485 [229]	—	—
							565	587	630	692	751	—	—
							95	81	88	74	66	—	—
						3	—	—	—	—	683 [322]	615 [290]	572 [270]
							—	—	—	—	789	842	892
							—	—	—	—	140	159	155
2417SE with 13kW Heater	(-)P1724	Y1 tap 4 Y2 tap 5	1/3	10x8	5	2	814 [384]	692 [327]	589 [278]	535 [252]	467 [220]	—	—
							592	613	656	719	778	—	—
							108	90	97	82	73	—	—
						3	—	—	—	—	808 [381]	629 [297]	584 [276]
							—	—	—	—	789	842	892
							—	—	—	—	148	168	163
2417SE No Heat	(-)P1724	Y1 tap 4 Y2 tap 5	1/3	10x8	5	4	902 [426]	846 [399]	788 [372]	742 [350]	679 [320]	—	—
							596	645	694	741	791	—	—
							105	108	116	121	130	—	—
						5	—	—	—	—	858 [405]	816 [385]	770 [363]
							—	—	—	—	834	879	925
							—	—	—	—	185	182	214
2417SE with 13kW Heater	(-)P1724	Y1 tap 4 Y2 tap 5	1/3	10x8	5	4	882 [416]	827 [390]	769 [363]	723 [341]	661 [312]	—	—
							595	670	719	767	817	—	—
							113	125	124	129	197	—	—
						5	—	—	—	—	883 [417]	791 [373]	746 [352]
							—	—	—	—	852	898	944
							—	—	—	—	192	189	222

[ ] Designates Metric Conversions

## 208V/240V Airflow Performance Data—RH2T (Constant Torque (ECM) Motor)

Air Handler (-)H2T	Outdoor Unit	Motor Speed From Factory	Blower			Motor Speed	CFM [L/s] Air Delivery/RPM/Watts (No Filter)						
			Size Motor HP	Size	# Speeds		External Static Pressure—Inches W.C. [kPa]						
							0.1 [.02]	0.2 [.05]	0.3 [.07]	0.4 [.10]	0.5 [.12]	0.6 [.15]	0.7 [.17]
3617SE No Heat	(-)P1736	Y1 tap 4 Y2 tap 5	1/2	10x8	5	2	1093 [516]	1050 [496]	1017 [480]	997 [471]	935 [441]	—	—
							671	725	764	809	852	—	—
							153	168	174	180	188	—	—
						3	—	—	—	—	1084 [512]	1040 [491]	1001 [472]
							—	—	—	—	896	936	971
							—	—	—	—	249	257	261
3617SE with 13kW Heater	(-)P1736	Y1 tap 4 Y2 tap 5	1/2	10x8	5	2	1068 [504]	1025 [484]	992 [468]	952 [449]	910 [429]	—	—
							711	765	804	849	892	—	—
							164	179	185	191	199	—	—
						3	—	—	—	—	1059 [500]	1015 [479]	976 [461]
							—	—	—	—	936	976	1011
							—	—	—	—	260	268	272
3617SE No Heat	(-)P1736	Y1 tap 4 Y2 tap 5	1/2	10x8	5	4	1270 [599]	1237 [584]	1199 [566]	1165 [550]	1130 [533]	—	—
							775	816	846	882	926	—	—
							237	249	259	268	277	—	—
						5	—	—	—	—	1275 [602]	1244 [587]	1211 [572]
							—	—	—	—	963	999	1029
							—	—	—	—	338	348	363
3617SE with 13kW Heater	(-)P1736	Y1 tap 4 Y2 tap 5	1/2	10x8	5	4	1245 [588]	1212 [572]	1174 [554]	1140 [538]	1105 [522]	—	—
							815	856	886	922	966	—	—
							248	260	270	279	288	—	—
						5	—	—	—	—	1250 [590]	1219 [575]	1186 [560]
							—	—	—	—	917	957	1001
							—	—	—	—	262	271	285

[ ] Designates Metric Conversions

## 208V/240V Airflow Performance Data—RH2T (Constant Torque (ECM) Motor)

Air Handler (-)H2T	Outdoor Unit	Motor Speed From Factory	Blower			Motor Speed	CFM [L/s] Air Delivery/RPM/Watts (No Filter)						
			Size Motor HP	Size	# Speeds		External Static Pressure—Inches W.C. [kPa]						
							0.1 [.02]	0.2 [.05]	0.3 [.07]	0.4 [.10]	0.5 [.12]	0.6 [.15]	0.7 [.17]
3621ME No Heat	(-)A1736	Y1 tap 4 Y2 tap 5	3/4	10x10	5	4	1053 [497]	1001 [472]	939 [443]	872 [412]	—	—	—
							601	660	726	803	—	—	—
							107	117	130	143	—	—	—
						5	—	—	1305 [616]	1260 [595]	1213 [572]	1147 [541]	1107 [522]
							—	—	829	876	927	987	1028
—	—	236	249	265	281	294							
3621ME with 13kW Heater	(-)A1736	Y1 tap 4 Y2 tap 5	3/4	10x10	5	4	1028 [485]	971 [458]	907 [428]	835 [394]	—	—	—
							629	692	763	844	—	—	—
							112	123	136	150	—	—	—
						5	—	—	1283 [606]	1237 [584]	1189 [561]	1139 [537]	1087 [513]
							—	—	852	901	954	1012	1075
—	—	242	257	274	295	320							
4821ME No Heat	(-)P1760 (-)A1748	Y1 tap 4 Y2 tap 5	1/3	10x10	5	1	865 [408]	735 [347]	648 [306]	597 [282]	538 [254]	497 [235]	435 [205]
							589	652	721	765	804	846	890
							90	86	96	102	109	114	119
						2	1104 [521]	1044 [493]	995 [470]	949 [448]	—	—	—
							683	734	795	851	—	—	—
							149	158	171	184	—	—	—
						3	—	—	1399 [660]	1361 [642]	1321 [623]	1286 [607]	1242 [586]
							—	—	940	987	1040	1075	1121
							—	—	342	357	378	392	409
4821ME with 13kW Heater	(-)P1760 (-)A1748	Y1 tap 4 Y2 tap 5	1/3	10x10	5	1	799 [377]	694 [328]	615 [290]	561 [265]	533 [252]	530 [250]	552 [261]
							581	645	700	743	777	800	813
							91	96	102	111	123	136	152
						2	1074 [507]	1019 [481]	971 [458]	930 [439]	—	—	—
							709	765	822	882	—	—	—
							153	164	177	192	—	—	—
						3	—	—	1380 [651]	1341 [633]	1300 [614]	1257 [593]	1212 [572]
							—	—	963	1013	1068	1130	1198
							—	—	349	367	391	423	461
4821ME No Heat	(-)P1760 (-)A1748	Y1 tap 4 Y2 tap 5	1/3	10x10	5	4	1206 [569]	1160 [547]	1121 [529]	1080 [510]	—	—	—
							737	788	838	896	—	—	—
							188	202	214	229	—	—	—
						5	—	—	1663 [785]	1626 [767]	1580 [746]	1495 [706]	1344 [634]
							—	—	1059	1098	1124	1144	1156
—	—	525	542	544	524	477							
4821ME with 13kW Heater	(-)P1760 (-)A1748	Y1 tap 4 Y2 tap 5	1/3	10x10	5	4	1183 [558]	1140 [538]	1100 [519]	1062 [501]	—	—	—
							762	812	867	925	—	—	—
							195	208	222	236	—	—	—
						5	—	—	1646 [777]	1604 [757]	1554 [733]	1494 [705]	1426 [673]
							—	—	1080	1113	1132	1138	1131
—	—	535	545	541	523	491							

[ ] Designates Metric Conversions

## 208V/240V Airflow Performance Data—RH2T (Constant Torque (ECM) Motor)

Air Handler (-)H2T	Outdoor Unit	Motor Speed From Factory	Blower			Motor Speed	CFM [L/s] Air Delivery/RPM/Watts (No Filter)						
			Size Motor HP	Size	# Speeds		External Static Pressure—Inches W.C. [kPa]						
							0.1 [.02]	0.2 [.05]	0.3 [.07]	0.4 [.10]	0.5 [.12]	0.6 [.15]	0.7 [.17]
6024ME No Heat	(-)A1724	Y1 tap 4 Y2 tap 5	1/3	11x11	5	2	1371 [647]	1304 [615]	1248 [589]	1183 [558]	—	—	—
							586	627	668	706	—	—	—
							166	175	185	195	—	—	—
						3	—	—	1561 [737]	1513 [714]	1460 [689]	1406 [664]	1342 [633]
							—	—	759	792	818	850	878
							—	—	305	317	328	334	343

[ ] Designates Metric Conversions

## 208V/240V Airflow Performance Data—RH2T (Constant Torque (ECM) Motor)

Air Handler (-)H2T	Outdoor Unit	Motor Speed From Factory	Blower			Motor Speed	CFM [L/s] Air Delivery / RPM / Watts (Dry Coil, No Filter, No Heat)							
			Size Motor HP	Size	# Speeds		External Static Pressure — Inches W.C. [kPa]							
							0.1 [.02]	0.2 [.05]	0.3 [.07]	0.4 [.10]	0.5 [.12]	0.6 [.15]	0.7 [.17]	
2417ST No Heat	(-)A1714A (-)P1724A	Y1 tap 4 Y2 tap 5	1/3	10x8	5	1	CFM [L/s]	651 [307]	511 [241]	307 [145]	—	—	—	—
							RPM	530	558	590	—	—	—	—
							Watts	61	47	35	—	—	—	—
						2	CFM [L/s]	734 [346]	526 [248]	387 [182]	—	—	—	—
							RPM	579	580	614	—	—	—	—
							Watts	66	46	42	—	—	—	—
						3	CFM [L/s]	872 [412]	826 [390]	782 [369]	735 [347]	690 [326]	637 [301]	578 [273]
							RPM	606	654	701	750	800	854	906
							Watts	91	97	103	108	115	123	122
2417ST No Heat	(-)A1714A (-)P1724A	Y1 tap 4 Y2 tap 5	1/3	10x8	5	4	CFM [L/s]	918 [433]	872 [412]	829 [391]	783 [370]	738 [348]	691 [326]	638 [301]
							RPM	627	677	724	766	816	866	917
							Watts	103	111	116	122	128	137	141
						5	CFM [L/s]	1047 [494]	1003 [473]	966 [456]	925 [437]	855 [418]	845 [399]	806 [380]
							RPM	692	737	780	821	860	903	944
							Watts	140	149	156	163	173	178	184
2421MT No Heat	(-)A1724	Y1 tap 4 Y2 tap 5	3/4	10 x 10	5	1	CFM [L/s]	899 [424]	633 [299]	265 [125]	197 [93]	138 [65]	—	—
							RPM	568	567	612	685	742	—	—
							Watts	87	57	36	39	43	—	—
						2	CFM [L/s]	884 [417]	629 [297]	570 [269]	499 [235]	437 [206]	369 [174]	307 [145]
							RPM	566	570	631	708	781	839	891
							Watts	85	57	62	69	76	80	85
						3	CFM [L/s]	897 [423]	828 [391]	781 [369]	740 [349]	673 [318]	621 [293]	564 [266]
							RPM	566	622	682	729	794	851	911
							Watts	87	90	99	104	112	119	127
						4	CFM [L/s]	TBD	TBD	TBD	TBD	TBD	TBD	TBD
							RPM	TBD	TBD	TBD	TBD	TBD	TBD	TBD
							Watts	TBD	TBD	TBD	TBD	TBD	TBD	TBD
						5	CFM [L/s]	993 [469]	953 [450]	899 [424]	852 [402]	807 [381]	754 [356]	703 [332]
							RPM	605	654	716	766	819	866	923
							Watts	110	117	127	135	143	150	158
3621MT No Heat	(-)A1736	Y1 tap 4 Y2 tap 5	3/4	10 x 10	5	1	CFM [L/s]	1000 [472]	926 [437]	847 [399]	775 [366]	719 [339]	646 [305]	573 [270]
							RPM	596	657	729	784	825	881	928
							Watts	97	106	116	123	129	137	144
						2	CFM [L/s]	906 [428]	656 [309]	599 [283]	517 [244]	437 [206]	363 [171]	308 [145]
							RPM	565	616	661	719	787	843	892
							Watts	81	68	73	79	85	91	96
						3	CFM [L/s]	1178 [556]	1100 [523]	1057 [499]	999 [471]	911 [430]	862 [407]	816 [385]
							RPM	660	712	769	819	881	922	955
							Watts	140	149	160	169	181	188	195
						4	CFM [L/s]	1050 [496]	991 [468]	925 [437]	827 [390]	779 [368]	714 [337]	640 [302]
							RPM	613	668	726	797	835	886	939
							Watts	107	115	124	135	141	150	158
						5	CFM [L/s]	1378 [650]	1326 [626]	1270 [599]	1215 [573]	1160 [547]	1058 [499]	1036 [489]
							RPM	739	783	832	877	924	1002	1016
							Watts	204	215	226	237	248	267	271

[ ] Designates Metric Conversions

## 208V/240V Airflow Performance Data—RH2T (Constant Torque (ECM) Motor)

Air Handler (-)H2T	Outdoor Unit	Motor Speed From Factory	Blower			Motor Speed	CFM [L/s] Air Delivery/RPM/Watts (Dry Coil—No Filter)							
			Size Motor HP	Size	# Speeds		208 - 240 VAC							
							0.1 [.02]	0.2 [.05]	0.3 [.07]	0.4 [.10]	0.5 [.12]	0.6 [.15]	0.7 [.17]	
4821MT No Heat	(-)A1748	Y1 tap 4 Y2 tap 5	3/4	10 x 10	5	1	CFM [L/s]	914 [431]	842 [397]	725 [342]	666 [314]	601 [283]	522 [246]	456 [215]
							RPM	585	644	715	761	809	865	913
							Watts	80	88	96	102	108	114	119
						2	CFM [L/s]	1180 [557]	1126 [531]	1067 [503]	934 [441]	909 [429]	856 [404]	796 [376]
							RPM	696	745	794	881	897	932	975
							Watts	144	152	162	176	181	187	195
						3	CFM [L/s]	1589 [750]	1548 [730]	1506 [711]	1467 [692]	1406 [663]	1358 [641]	1235 [583]
							RPM	869	906	941	976	1012	1048	1143
							Watts	304	315	326	337	348	359	387
						4	CFM [L/s]	1282 [605]	1233 [582]	1183 [558]	1105 [522]	995 [469]	976 [460]	923 [435]
							RPM	734	780	825	874	950	969	1000
							Watts	175	184	194	204	220	224	230
						5	CFM [L/s]	1659 [783]	1625 [767]	1585 [748]	1544 [729]	1501 [708]	1450 [688]	1424 [672]
							RPM	917	955	987	1023	1054	1087	1117
							Watts	363	377	388	401	411	423	433
6024MT No Heat	(-)A1760	Y1 tap 4 Y2 tap 5	3/4	10 x 10	5	1	CFM [L/s]	1372 [648]	1308 [617]	1246 [588]	1183 [558]	1123 [530]	1053 [497]	994 [469]
							RPM	603	644	689	725	759	794	829
							Watts	171	182	193	201	210	218	227
						2	CFM [L/s]	1349 [636]	1288 [608]	1220 [576]	1161 [548]	1089 [514]	1029 [486]	963 [454]
							RPM	595	636	678	715	754	789	827
							Watts	163	174	183	192	202	210	218
						3	CFM [L/s]	1749 [825]	1699 [802]	1647 [777]	1602 [756]	1551 [732]	1506 [711]	1452 [685]
							RPM	737	769	805	833	862	888	922
							Watts	337	350	364	374	386	397	409
						4	CFM [L/s]	1449 [684]	1388 [655]	1329 [627]	1266 [597]	1202 [567]	1133 [535]	1078 [509]
							RPM	628	667	702	738	779	815	843
							Watts	197	207	217	226	236	246	253
						5	CFM [L/s]	1888 [891]	1850 [873]	1805 [852]	1751 [826]	1711 [807]	1666 [786]	1623 [766]
							RPM	793	821	848	882	906	935	961
							Watts	428	440	453	468	479	492	503

Notes: Constant Torque motor speed changes.

All Constant Torque motors have 5 speed tabs. Speed tab 1 is for continuous fan. Speed tab 2 (low static) and Speed tab 3 (high static) are for lower tonnage. Speed tab 4 (low static) and Speed tab 5 (high static) are for higher tonnage.

Constant Torque air handlers are always shipped from factory at Speed tab 5, except for -4824, which is set at Speed tab 3. For instance, (-)H1T-HM2417JA is always shipped at high static 2-ton airflow (Speed tab 5). To change to 1.5-ton airflow, move the blue wire to Speed tab 2 or 3 on the Constant Torque motor.

The low static Speed tab 2 (lower tonnage) and 4 (higher tonnage) are used for external static below 0.5" WC. The high static Speed tab 3 (lower tonnage) and 5 (higher tonnage) are used for external static exceeding 0.5" WC. Move the blue wire to the appropriate Speed tab as required by the application needs.

- The airflow for continuous fan (Speed tab 1) is always set at 50% of the Speed tab 4.
- The above airflow table lists the airflow information for air handlers without heater and air handler with maximum heater allowed for each model.
- The following formula can be used to calculate the approximate airflow, if a smaller (N kW) than the maximum heater kit is installed.  
Approximate Airflow = Airflow without heater – (Airflow without heater – Airflow with maximum heater) x (N kW/maximum heater kW)

[ ] Designates Metric Conversions

## Electrical Data – Blower Motor Only – No Electric Heat RH2T

Model RH2T	Voltage	Phase*	Hertz	HP [W]	RPM	Speeds	Circuit Amps.	Minimum Circuit Ampacity	Maximum Overcurrent Protector
2417S	208/240	1	60	1/3	300-1300	2	1.6	2.0	15.0
2421M		1		1/3		2	1.6	2.0	15.0
3617S		1		1/2		2	2.8	4.0	15.0
3621M		1		3/4		2	4.0	5.0	15.0
4821M		1		3/4		2	4.0	5.0	15.0
6021S		1		3/4		2	4.6	6.0	15.0
6024M		1		3/4		2	4.6	6.0	15.0

\* Blower motors are all single phase motors.

[ ] Designates Metric Conversions

## Electrical Data – With Electric Heat RH2T

Installation of the U.L. Listed original equipment manufacturer provided heater kits listed in the following table is recommended for all auxiliary heating requirements.

Air Handler Model RH2T	Heater Model No.	Heater kW (208/240V) (480V)	PH/HZ	No. Elements kW Per	Type Supply Circuit Single Circuit Multiple Circuit	Circuit Amps.	Motor Ampacity	Minimum Circuit Ampacity	Maximum Overcurrent Protection
2417S 2421M	RXBH-17?03J	2.25/3.0	1/60	1-3.0	SINGLE	10.8/12.5	1.6	16/18	20/20
	RXBH-1724?035	2.25/3.0	1/60	1-3.0	SINGLE	10.8/12.5	1.6	16/18	20/20
	RXBH-1724?05J	3.6/4.8	1/60	1-4.8	SINGLE	17.3/20.0	1.6	24/27	25/30
	RXBH-1724?07J	5.4/7.2	1/60	2-3.6	SINGLE	26.0/30.0	1.6	35/40	35/40
	RXBH-1724?10J	7.2/9.6	1/60	2-4.8	SINGLE	34.6/40.0	1.6	46/52	50/60
	RXBH-1724A13J	9.4/12.5	1/60	3-4.17	SINGLE	45.1/52.1	1.6	59/68	60/70
		3.1/4.2	1/60	1-4.17	MULTIPLE CKT 1	15.0/17.4	1.6	21/24	25/25
		6.3/8.3	1/60	2-4.17	MULTIPLE CKT 2	30.1/34.7	0	38/44	40/45
	RXBH-1724A07C	5.4/7.2	3/60	3-2.4	SINGLE	15.0/17.3	1.6	21/24	25/25
	RXBH-1724A10C	7.2/9.6	3/60	3-3.2	SINGLE	20.0/23.1	1.6	27/31	30/35
RXBH-1724A13C	9.4/12.5	3/60	3-4.17	SINGLE	26.1/30.1	1.6	35/40	35/40	
3617S	RXBH-17?03J	2.25/3.0	1/60	1-3.0	SINGLE	10.8/12.5	2.8	17/20	20/20
	RXBH-1724?035	2.25/3.0	1/60	1-3.0	SINGLE	10.8/12.5	2.8	17/20	20/20
	RXBH-1724?05J	3.6/4.8	1/60	1-4.8	SINGLE	17.3/20.0	2.8	26/29	30/30
	RXBH-1724?07J	5.4/7.2	1/60	2-3.6	SINGLE	26.0/30.0	2.8	36/41	40/45
	RXBH-1724?10J	7.2/9.6	1/60	2-4.8	SINGLE	34.6/40.0	2.8	47/54	50/60
	RXBH-1724A13J	9.4/12.5	1/60	3-4.17	SINGLE	45.1/52.1	2.8	60/69	60/70
		3.1/4.2	1/60	1-4.17	MULTIPLE CKT 1	15.0/17.4	2.8	23/26	25/30
		6.3/8.3	1/60	2-4.17	MULTIPLE CKT 2	30.1/34.7	0	38/44	40/45
	RXBH-1724A15J	10.8/14.4	1/60	3-4.8	SINGLE	51.9/60.0	2.8	69/79	70/80
		3.6/4.8	1/60	1-4.8	MULTIPLE CKT 1	17.3/20.0	2.8	26/29	30/30
		7.2/9.6	1/60	2-4.8	MULTIPLE CKT 2	34.6/40.0	0	44/50	45/50
	RXBH-1724A18J	12.8/17.0	1/60	3-5.68	SINGLE	61.6/70.8	2.8	81/92	90/100
		4.3/5.7	1/60	1-5.68	MULTIPLE CKT 1	20.5/23.6	2.8	30/33	30/35
		8.5/11.3	1/60	2-5.68	MULTIPLE CKT 2	41.1/47.2	0	52/59	60/60
	RXBH-1724A07C	5.4/7.2	3/60	3-2.4	SINGLE	15.0/17.3	2.8	23/26	25/30
	RXBH-1724A10C	7.2/9.6	3/60	3-3.2	SINGLE	20.0/23.1	2.8	29/33	30/35
	RXBH-1724A13C	9.4/12.5	3/60	3-4.17	SINGLE	26.1/30.1	2.8	37/42	40/45
	RXBH-1724A15C	10.8/14.4	3/60	3-4.8	SINGLE	30.0/34.6	2.8	41/47	45/50
	RXBH-1724A18C	12.8/17.0	3/60	3-5.68	SINGLE	35.5/41.0	2.8	48/55	50/60

**NOTES:**

- \* Values only. No single point kit available.
- Electric heater BTUH - (heater watts + motor watts) x 3.414 (see airflow table for motor watts.)
- Supply circuit protective devices may be fuses or "HACR" type circuit breakers.
- Largest motor load is included in single circuit and multiple circuit 1.
- Heater loads are balanced on 3 phase heater kits with 3 or 6 heating elements only.
- If non-standard fuse size is specified, use next size larger fuse size.
- J Voltage (230V) single phase air handler is designed to be used with single or three phase 230 volt electric heaters. In the case of connecting 3-phase power to the air handler terminal block without the heater, bring only two leads to the terminal block. Cap, insulate and fully secure the third lead.
- If the kit is listed under both single and multiple circuits, the kit is shipped from factory as multiple circuits. For single phase application, Jumper bar kit RXBJ-A21 and RXBJ-A31 can be used to convert multiple circuits to a single supply circuit. Refer to Accessory Section for details.
- The airflow for continuous fan is set 50% of the cooling airflow.
- ?Heater kits connection type. A=Breaker B=Terminal Block C=Disconnect Pull Out

[ ] Designates Metric Conversions



## Electrical Data – With Electric Heat RH2T (Cont.)

Installation of the U.L. Listed original equipment manufacturer provided heater kits listed in the following table is recommended for all auxiliary heating requirements.

Air Handler Model RH2T	Heater Model No.	Heater kW (208/240V) (480V)	PH/HZ	No. Elements kW Per	Type Supply Circuit Single Circuit Multiple Circuit	Circuit Amps.	Motor Ampacity	Minimum Circuit Ampacity	Maximum Overcurrent Protection
3621M	RXBH-1724?03J	2.25/3.0	1/60	1-3.0	SINGLE	10.8/12.5	4.0	19/21	20/25
	RXBH-1724?05J	3.6/4.8	1/60	1-4.8	SINGLE	17.3/20.0	4.0	27/30	30/30
	RXBH-1724?07J	5.4/7.2	1/60	2-3.6	SINGLE	26.0/30.0	4.0	38/43	40/45
	RXBH-1724?10J	7.2/9.6	1/60	2-4.8	SINGLE	34.6/40.0	4.0	48/55	50/60
	RXBH-1724A15J	10.8/14.4	1/60	3-4.8	SINGLE	51.9/60.0	4.0	70/80	70/80
		3.6/4.8	1/60	1-4.8	MULTIPLE CKT 1	17.3/20.0	4.0	27/30	30/30
		7.2/9.6	1/60	2-4.8	MULTIPLE CKT 2	34.6/40.0	0.0	44/50	45/50
	RXBH-1724A18J	12.8/17.0	1/60	3-5.68	SINGLE	61.6/70.8	4.0	82/94	90/100
		4.3/5.7	1/60	1-5.68	MULTIPLE CKT 1		4.0	31/35	35/35
		8.5/11.3	1/60	2-5.68	MULTIPLE CKT 2		0.0	52/59	60/60
	RXBH-1724A07C	5.4/7.2	3/60	3-2.4	SINGLE	15.0/17.3	4.0	24/27	25/30
	RXBH-1724A10C	7.2/9.6	3/60	3-3.2	SINGLE	20.0/23.1	4.0	30/34	30/35
	RXBH-1724A15C	10.8/14.4	3/60	3-4.8	SINGLE	30.0/34.6	4.0	43/49	45/50
	RXBH-1724A18C	12.8/17.0	3/60	3-5.68	SINGLE	35.6/41.0	4.0	50/57	50/60
RXBH-1724B05J	3.6/4.8	1/60	1-4.8	SINGLE	17.3/20.0	4.0	27/30	30/30	
RXBH-1724B07J	5.4/7.2	1/60	2-3.6	SINGLE	26.0/30.0	4.0	38/43	40/45	
RXBH-1724B10J	7.2/9.6	1/60	2-4.8	SINGLE	34.6/40.0	4.0	48/55	50/60	
4821M	RXBH-1724?05J	3.6/4.8	1/60	1-4.8	SINGLE	17.3/20.0	4.0	27/30	30/30
	RXBH-1724?07J	5.4/7.2	1/60	2-3.6	SINGLE	26.0/30.0	4.0	38/43	40/45
	RXBH-1724?10J	7.2/9.6	1/60	2-4.8	SINGLE	34.6/40.0	4.0	49/55	50/60
	RXBH-1724A15J	10.8/14.4	1/60	3-4.8	SINGLE	51.9/60.0	4.0	70/80	70/80
		3.6/4.8	1/60	1-4.8	MULTIPLE CKT 1	17.3/20.0	4.0	27/30	30/30
		7.2/9.6	1/60	2-4.8	MULTIPLE CKT 2	34.6/40.0	0.0	44/50	45/50
	RXBH-1724A18J	12.8/17.0	1/60	3-5.68	SINGLE	61.6/70.8	4.0	82/94	90/100
		4.3/5.7	1/60	1-5.68	MULTIPLE CKT 1	20.5/23.6	4.0	31/35	30/35
		8.5/11.3	1/60	2-5.68	MULTIPLE CKT 2	41.1/47.2	0.0	52/59	60/60
	RXBH-24A20J	14.4/19.2	1/60	4-4.8	SINGLE	69.2/80	4.0	92/105	100/110
		7.2/9.6	1/60	2-4.8	MULTIPLE CKT 1	34.6/40.0	4.0	49/55	50/60
		7.2/9.6	1/60	2-4.8	MULTIPLE CKT 2	34.6/40.0	0.0	44/50	45/50
	RXBH-24A25J	18.0/24.0	1/60	6-4.0	SINGLE	86.4/99.9	4.0	113/130	125/150
		6.0/8.0	1/60	2-4.0	MULTIPLE CKT 1	28.8/33.3	4.0	41/47	45/50
		6.0/8.0	1/60	2-4.0	MULTIPLE CKT 2	28.8/33.3	0.0	36/42	40/45
		6.0/8.0	1/60	2-4.0	MULTIPLE CKT 3	28.8/33.3	0.0	36/42	40/45
	RXBH-1724A07C	5.4/7.2	3/60	3-2.4	SINGLE	15.0/17.3	4.0	24/27	25/30
	RXBH-1724A10C	7.2/9.6	3/60	3-3.2	SINGLE	20.0/23.1	4.0	30/34	30/35
RXBH-1724A15C	10.8/14.4	3/60	3-4.8	SINGLE	30.0/34.6	4.0	43/49	45/50	
RXBH-1724A18C	12.8/17.0	3/60	3-5.68	SINGLE	35.6/41.0	4.0	50/57	50/60	

**NOTES:**

- \* Values only. No single point kit available.
- Electric heater BTUH - (heater watts + motor watts) x 3.414 (see airflow table for motor watts.)
- Supply circuit protective devices may be fuses or "HACR" type circuit breakers.
- Largest motor load is included in single circuit and multiple circuit 1.
- Heater loads are balanced on 3 phase heater kits with 3 or 6 heating elements only.
- If non-standard fuse size is specified, use next size larger fuse size.
- J Voltage (230V) single phase air handler is designed to be used with single or three phase 230 volt electric heaters. In the case of connecting 3-phase power to the air handler terminal block without the heater, bring only two leads to the terminal block. Cap, insulate and fully secure the third lead.
- If the kit is listed under both single and multiple circuits, the kit is shipped from factory as multiple circuits. For single phase application, Jumper bar kit RXBJ-A21 and RXBJ-A31 can be used to convert multiple circuits to a single supply circuit. Refer to Accessory Section for details.
- The airflow for continuous fan is set 50% of the cooling airflow.
- ?Heater kits connection type. A=Breaker B=Terminal Block C=Disconnect Pull Out

[ ] Designates Metric Conversions

## Electrical Data – With Electric Heat RH2T (Cont.)

Installation of the U.L. Listed original equipment manufacturer provided heater kits listed in the following table is recommended for all auxiliary heating requirements.

Air Handler Model RH2T	Heater Model No.	Heater kW (208/240V) (480V)	PH/HZ	No. Elements kW Per	Type Supply Circuit Single Circuit Multiple Circuit	Circuit Amps.	Motor Ampacity	Minimum Circuit Ampacity	Maximum Overcurrent Protection
4821M	RXBH-24A20C*	14.4/19.2	3/60	3-3.2	SINGLE	40.0/46.2	4.0	55/63	60/70
		7.2/9.6	3/60	3-3.2	MULTIPLE CKT 1	20.0/23.1	4.0	30/34	30/35
		7.2/9.6	3/60	3-3.2	MULTIPLE CKT 2	20.0/23.1	0.0	25/29	25/30
	RXBH-24A25C*	18.0/24.0	3/60	6-4.0	SINGLE	50.0/57.8	4.0	68/77	70/80
		9.0/12.0	3/60	3-4.0	MULTIPLE CKT 1	25.0/28.9	4.0	37/42	40/45
		9.0/12.0	3/60	3-4.0	MULTIPLE CKT 2	25.0/28.9	0.0	32/37	35/40
6021S 6024M	RXBH-1724?05J	3.6/4.8	1/60	1-4.8	SINGLE	17.3/20.0	4.6	28/31	30/35
	RXBH-1724?07J	5.4/7.2	1/60	2-3.6	SINGLE	26.0/30.0	4.6	39/44	40/45
	RXBH-1724?10J	7.2/9.6	1/60	2-4.8	SINGLE	34.6/40.0	4.6	49/56	50/60
	RXBH-1724A15J	10.8/14.4	1/60	3-4.8	SINGLE	51.9/60.0	4.6	71/81	80/90
		3.6/4.8	1/60	1-4.8	MULTIPLE CKT 1	17.3/20.0	4.6	28/31	30/35
		7.2/9.6	1/60	2-4.8	MULTIPLE CKT 2	34.6/40.0	0	44/50	45/50
	RXBH-1724A18J	12.8/17	1/60	3-5.68	SINGLE	61.6/70.8	4.6	83/95	90/100
		4.3/5.7	1/60	1-5.68	MULTIPLE CKT 1	20.5/23.6	4.6	31/35	31/35
		4.3/5.7	1/60	2-4.26	MULTIPLE CKT 2	41.1/47.2	0	52/59	60/60
	RXBH-24A20J	14.4/19.2	1/60	4-4.8	SINGLE	69.2/80	4.6	93/106	100/110
		7.2/9.6	1/60	2-4.8	MULTIPLE CKT 1	34.6/40.0	4.6	49/56	50/60
		7.2/9.6	1/60	2-4.8	MULTIPLE CKT 2	34.6/40.0	0	44/50	45/50
	RXBH-24A25J	18.0/24.0	1/60	6-4.0	SINGLE	86.4/99.9	4.6	114/131	125/150
		6.0/8.0	1/60	2-4.0	MULTIPLE CKT 1	28.8/33.3	4.6	42/48	45/50
		6.0/8.0	1/60	2-4.0	MULTIPLE CKT 2	28.8/33.3	0	36/42	40/45
		6.0/8.0	1/60	2-4.0	MULTIPLE CKT 3	28.8/33.3	0	36/42	40/45
	RXBH-24A30J (6024S only) (1800 CFM only)	21.6/28.8	1/60	6-4.8	SINGLE	103.8/120.0	4.6	136/156	150/175
		7.2/9.6	1/60	2-4.8	MULTIPLE CKT 1	34.6/40.0	4.6	49/56	50/60
		7.2/9.6	1/60	2-4.8	MULTIPLE CKT 2	34.6/40.0	0	44/50	45/50
		7.2/9.6	1/60	2-4.8	MULTIPLE CKT 3	34.6/40.0	0	44/50	45/50
	RXBH-1724A07C	5.4/7.2	3/60	3-2.4	SINGLE	15.0/17.3	4.6	25/28	25/30
	RXBH-1724A10C	7.2/9.6	3/60	3-3.2	SINGLE	20.0/23.1	4.6	31/35	35/35
	RXBH-1724A15C	10.8/14.4	3/60	3-4.8	SINGLE	30.0/34.6	4.6	44/49	45/50
	RXBH-1724A18C	12.8/17.0	3/60	3-5.68	SINGLE	35.6/41.0	4.6	51/57	50/60
	RXBH-24A20C*	14.4/19.2	3/60	3-3.2	SINGLE	40.0/46.2	4.6	56/64	60/70
		7.2/9.6	3/60	3-3.2	MULTIPLE CKT 1	20.0/23.1	4.6	31/35	35/35
		7.2/9.6	3/60	3-3.2	MULTIPLE CKT 2	20.0/23.1	0	25/29	25/30
	RXBH-24A25C*	18.0/24.0	3/60	6-4.0	SINGLE	50.0/57.8	4.6	69/78	70/80
		9.0/12.0	3/60	3-4.0	MULTIPLE CKT 1	25.0/28.9	4.6	37/42	40/45
		9.0/12.0	3/60	3-4.0	MULTIPLE CKT 2	25.0/28.9	0	32/37	35/40
RXBH-24A30C* (1800 CFM only)	21.6/28.8	3/60	6-4.8	SINGLE	60.0/69.4	4.6	81/93	90/100	
RXBH-24A30C (6024S only) (1800 CFM only)	10.8/14.4	3/60	3-4.8	MULTIPLE CKT 1	30.0/34.7	4.6	44/50	45/50	
	10.8/14.4	3/60	3-4.8	MULTIPLE CKT 2	30.0/34.7	0	38/44	40/45	

**NOTES:**

- \* Values only. No single point kit available.
- Electric heater BTUH - (heater watts + motor watts) x 3.414 (see airflow table for motor watts.)
- Supply circuit protective devices may be fuses or "HACR" type circuit breakers.
- Largest motor load is included in single circuit and multiple circuit 1.
- If non-standard fuse size is specified, use next size larger fuse size.
- J Voltage (230V) single phase air handler is designed to be used with single or three phase 230 volt electric heaters. In the case of connecting 3-phase power to the air handler terminal block without the heater, bring only two leads to the terminal block. Cap, insulate and fully secure the third lead.
- If the kit is listed under both single and multiple circuits, the kit is shipped from factory as multiple circuits. For single phase application, Jumper bar kit RXBJ-A21 and RXBJ-A31 can be used to convert multiple circuits to a single supply circuit. Refer to Accessory Section for details.
- The airflow for continuous fan is set 50% of the cooling airflow.
- ?Heater kits connection type. A=Breaker B=Terminal Block C=Disconnect Pull Out

[ ] Designates Metric Conversions

## Electrical Wiring

### Power Wiring

- Field wiring must comply with the National Electrical Code (C.E.C. in Canada) and any applicable local ordinance.
- Supply wiring must be 75°C minimum copper conductors only.
- See electrical data for product Ampacity rating and Circuit Protector requirement.

### Accessories

#### • Combustible Floor Base RXHB-

Model Cabinet Size	Combustible Floor Base Model Number
17	RXHB-17
21	RXHB-21
24	RXHB-24

- **Jumper Bar Kit 3 Ckt. to 1 Ckt. RXBJ-A31** is used to convert single phase multiple three circuit units to a single supply circuit. Kit includes cover and screw for line side terminals.

- **Jumper Bar Kit 2 Ckt. to 1 Ckt. RXBJ-A21** is used to convert single phase multiple two circuit units to a single supply circuit. Kit includes cover and screw for line side terminals.

- **Note:** No jumper bar kit is available to convert three phase multiple two circuit units to a single supply circuit.

#### • Auxiliary Horizontal Overflow Pan Accessory RXBM-

Nominal Cooling Capacity-Tons	Auxiliary Horizontal Overflow Pan Accessory Model Number
2 - 3	RXBM-AC48
4 - 5	RXBM-AC61

#### • Supply and Return Air Sensor Kit RXHT-A02

The RXHT-A02 Thermistor Kit is to be used with the air handler control to monitor the system return and leaving air temperatures. These temperatures can be monitored with the EccoNet communicating thermostat.

[ ] Designates Metric Conversions

### Grounding

- This product must be sufficiently grounded in accordance with National Electrical Code (C.E.C. in Canada) and any applicable local ordinance.
- A grounding lug is provided.

#### • Auxiliary Electric Heater Kits RXBH-

Heater Kits include circuit breakers which meet UL and cUL requirements for service disconnect. See the Electric Heat Electrical Data in this specification sheet for specific Heater Kit Model numbers.

#### • External Filter Base RXHF-

Model Cabinet Size	Filter Size In. [mm]	Part Number*	A	B
21	20 x 20 [508 x 508]	RXHF-21	19.20	21.0
24	25 x 20 [635 x 508]	RXHF-24	22.70	25.5

\*Accommodates 1" or 2" filter

#### • Horizontal Adapter Kit RXHH-

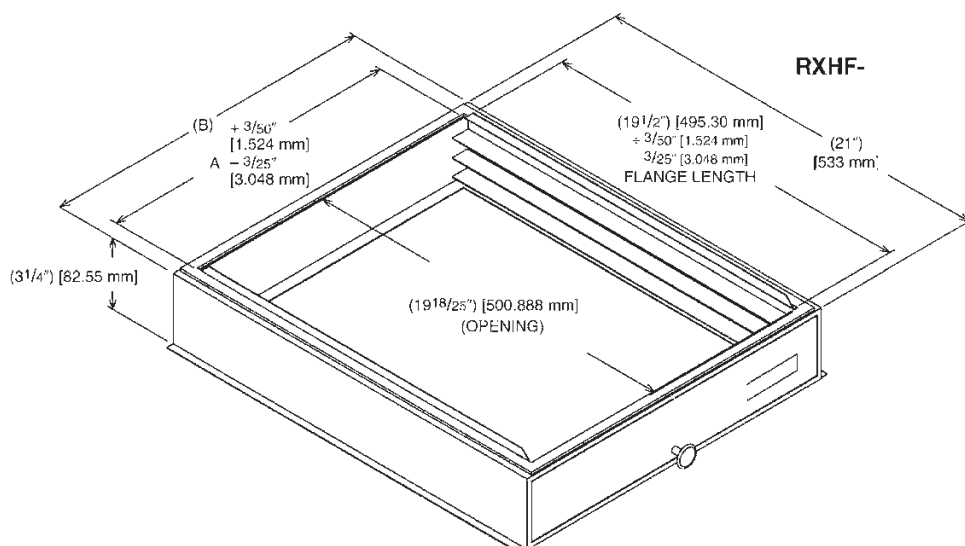
This horizontal adapter kit is used to convert Upflow/Downflow only models to horizontal flow. See the following table to order proper horizontal adapter kit.

Coil Model	Horizontal Adapter Kit Model Number (Single Qty.)	Horizontal Adapter Kit Model Number (10-Pack Qty.)
2414	RXHH-A01	RXHH-A01 x 10
2417	RXHH-A02	RXHH-A02 x 10
2421/3617/3621	RXHH-A03	RXHH-A03 x 10
4821/4824/6021	RXHH-A06	RXHH-A06 x 10
6024	RXHH-A05	RXHH-A05 x 10

#### • External Filter Base RXHF-

Model Cabinet Size	Filter Size In. [mm]	Part Number*	A	B
17	16 x 20 [406 x 508]	RXHF-17	15.70	17.5
21	20 x 20 [508 x 508]	RXHF-21	19.20	21.0
24	25 x 20 [635 x 508]	RXHF-24	22.70	25.5

\*Accommodates 1" or 2" filter



**GENERAL TERMS OF LIMITED WARRANTY\***

Ruud will furnish a replacement for any part of this product which fails in normal use and service within the applicable periods stated, in accordance with the terms of the limited warranty.

Conditional Parts (Registration Required) .....Ten (10) Years

**\*For complete details of the Limited and Conditional Warranties, including applicable terms and conditions, contact your local contractor or the Manufacturer for a copy of the product warranty certificate.**









*In keeping with its policy of continuous progress and product improvement, Ruud reserves the right to make changes without notice.*

Ruud Heating, Cooling & Water Heating • 5600 Old Greenwood Road  
Fort Smith, Arkansas 72908 • [www.ruud.com](http://www.ruud.com)

Ruud Canada • 125 Edgeware Road, Unit 1  
Brampton, Ontario • L6Y 0P5

**RELY ON RUUD.™**