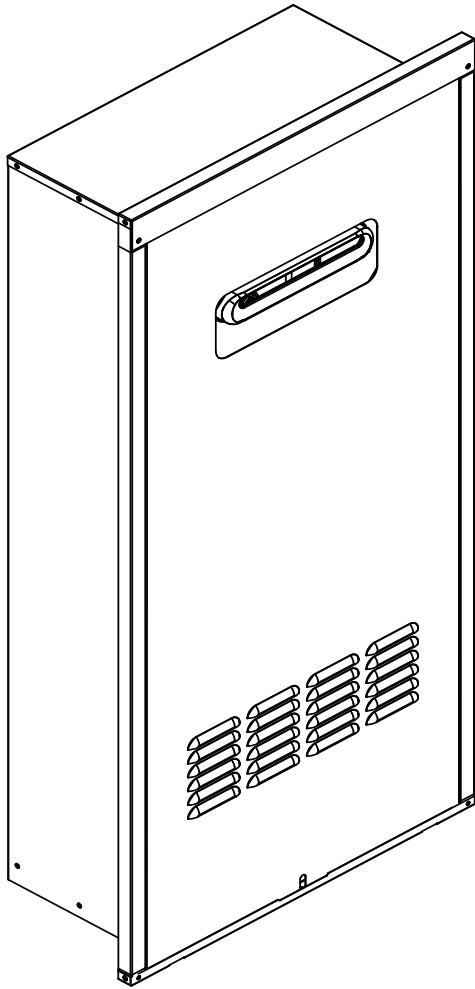


Tankless Water Heater Recess Box Installation Instructions



These models of Outdoor Tankless Water Heaters will fit or function in this recess box. All models listed may be followed by additional letters or numbers. If your model contains the characters as shown below, this kit may be used with your water heater.

RTGH-95X	RMTGH95X	PHH-32ROF
RUTGH-95X	ECOH200X	SCTH200X
RTGH-84X	RMTGH84X	PHH-25ROF
RUTGH-84X	ECOH160X	SCTH160X
NH-209X	NH-159X	

The purpose of this manual is to provide the installer with the basic instructions necessary to properly install the recess box. This manual assumes that the installer has basic carpentry skills and plumbing knowledge. Local codes may apply to this installation; all local building, electrical, and plumbing codes should be followed.

It is very important that all persons who are expected to install, operate or adjust this recess box and/or water heater, read these instructions along with those instructions provided with the tankless water heater.



Recognize this symbol as an indication of Important Safety Information!

Refer to the Use and Care Manual provided with your tankless water heater for the proper installation procedures and conditions.



WARNING! Gasoline, as well as other flammable materials and liquids (adhesives, solvents, paint thinners etc.), and the vapors they produce are extremely dangerous. **DO NOT** handle, use or store gasoline or other flammable or combustible materials anywhere near or in the vicinity of a water heater or any other appliance. Be sure to read and follow the labels on the water heater, as well as the warning printed in this manual. Failure to do so can result in property damage, bodily injury or death.

Location

This water heater recess box is for **OUTDOOR** installation **ONLY**, and is intended for use only with the water heater models listed above. Do not attempt to install a water heater of another brand or model in this recess box.

Do not attempt to modify this recess box. Doing so will alter the intended design, potentially causing an unsafe operating condition.

Consult the Use and Care Manual provided with your tankless water heater for installation instructions regarding a suitable location for the water heater. All guidelines regarding clearances and distances from overhangs, windows and doors, and air inlets into the home must be followed.

Recess Box Clearances

This recess box is designed to be installed with a Zero (0) clearance to combustibles. For service and proper operation, 24" (61 cm) of clearance is required in front of the recess box.

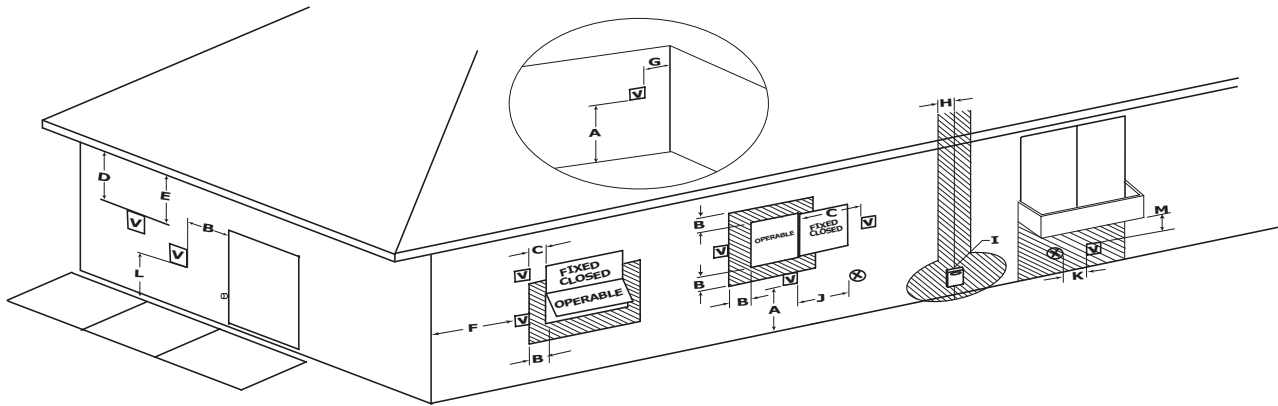
Freeze Protection

To help prevent water lines from freezing do not locate water heater on the side of a building with prevailing winter winds. Refer to the Use and Care Manual provided with your water heater for additional information.

Installation

Water Heater Exhaust Terminal Location

The following information should be used for determining the proper location of the vent terminal for outdoor tankless water heaters.



☑ VENT TERMINAL

✕ AIR SUPPLY INLET

▨ AREA WHERE TERMINAL IS NOT PERMITTED

	Canadian Installations ¹ Indoor and Outdoor	US Installations ² Outdoor
A= Clearance above grade, veranda, porch, deck or balcony.	12 inches (30 cm) above anticipated snow level.	12 inches (30 cm) above anticipated snow level.
B= Clearance to window or door that may be opened.	6 inches (15 cm) for appliances ≤ 10,000 Btuh (3 kW), 12 inches (30 cm) for appliances > 10,000 Btuh (3kW) and ≤ 100,000 Btuh (30kW), 36 inches (91 cm) for appliances > 100,000 Btuh (30kW).	6 inches (15 cm) for appliances ≤ 10,000 Btuh (3 kW), 9 inches (23 cm) for appliances > 10,000 Btuh (3kW) and ≤ 50,000 Btuh (15kW), 12 inches (30 cm) for appliances > 50,000 Btuh (15kW).
C= Clearance to permanently closed window.	*	*
D= Vertical Clearance to ventilated soffit located above the terminal within a horizontal distance of 2 feet (61 cm) from the center line of the terminal.	*	*
E= Clearance to unventilated soffit.	*	*
F= Clearance to outside corner.	*	*
G= Clearance to corner.	*	*
H = Clearance to each side of center line extended meter/regulator assembly.	3 feet (91 cm) within a height 15 feet (4.57 m) above the meter/regulator assembly.	*
I = Clearance to service regulator vent outlet.	3 feet (91 cm)	*
J = Clearance to nonmechanical air supply inlet to building or the combustion air inlet to any other appliance.	6 inches (15 cm) for appliances ≤ 10,000 Btuh (3 kW), 12 inches (30 cm) for appliances > 10,000 Btuh (3kW) and ≤ 100,000 Btuh (30kW), 36 inches (91 cm) for appliances > 100,000 Btuh (30kW).	6 inches (15 cm) for appliances ≤ 10,000 Btuh (3 kW), 9 inches (23 cm) for appliances > 10,000 Btuh (3kW) and ≤ 50,000 Btuh (15kW), 12 inches (30 cm) for appliances > 50,000 Btuh (15kW)
K = Clearance to mechanical air supply inlet.	6 feet (1.83 m)	3 feet (91 cm) above if within 10 feet (3 m) horizontally.
L = Clearance above paved sidewalk or paved driveway located on public property.	7 feet (2.13 m)	*
M = Clearance under veranda, porch, deck or balcony.	Not Allowed	Not Allowed

¹ In accordance with current CAN/CGA-B149 Installation Code

² In accordance with current ANSI Z223.1/NFPA National Fuel Gas Code.

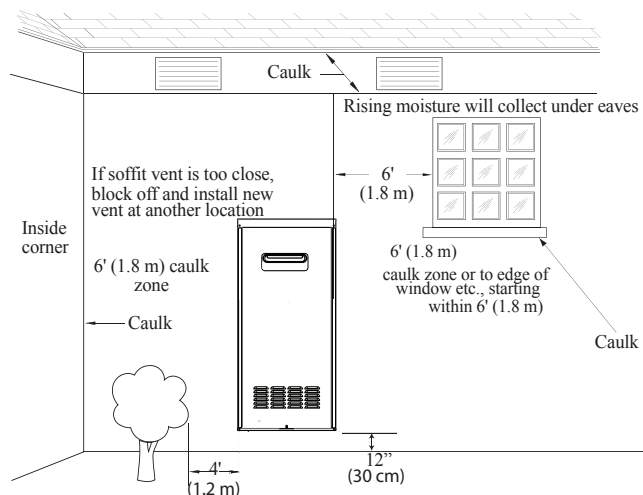
* If clearances are not specified, then follow local installation codes and the requirement of the gas supplier.

** For condensing appliances: The vent for this appliance shall not terminate over public walkways, near soffit vents, crawl space vents, or other areas where condensate or vapor could create a nuisance, hazard or cause property damage, or where condensate or vapor could cause damage or could be detrimental to the operation of regulators, relief valves or other equipment.

Installation

Recess Box Location

This water heater recess box is intended for an outdoor location only. Follow the guidelines below or in the Use and Care Manual provided with the water heater for choosing a suitable location.



⚠ WARNING: Moisture in the flue gas will condense as it leaves the vent terminal. In cold weather this condensate can freeze on the exterior wall, under the eaves and on surrounding objects. Some discoloration to the exterior of the building is to be expected. However, improper location or installation can result in severe damage to the structure or exterior finish of the building

Additional Considerations

1. Do not install water heater under any patio or deck.
2. To help prevent moisture from freezing on walls and under eaves, do not locate the water heater on the side of a building with prevailing winter winds.
3. To help prevent water lines from freezing do not locate water heater on the side of a building with prevailing winter winds.
4. Do not locate water heater too close to shrubbery, as flue gases may damage them.
5. Caulk all cracks, seams and joints within six (6) feet (1.8 m) of exhaust vent.
6. Guard exhaust vent against accidental contact with people and pets.
7. Install the water heater such that the air inlet and exhaust vent are above anticipated snow levels

Installation

The recess box is designed to be installed with a variety of home exterior products for new or existing construction.

1. Choose a suitable location for the water heater and recess box. Follow the guidelines listed on page 2 of this manual, or the Use and Care Manual for the water heater, regarding location and clearances. Frame an opening in the exterior wall of the home for the rough in dimensions in Figure 3. Local building codes and standard building practices should be followed.
2. Install the recess box into the opening. Level and square the box. Test fit the outer door to make sure it does not bind during installation. Secure the recess box to the framing on each side using four or more self tapping screws (not provided).

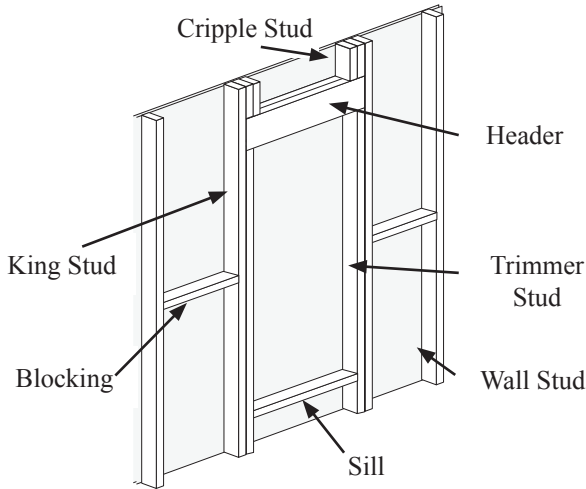
Mount the water heater into the recess box. In the back of the recess box is a channel to support the bottom mounting bracket of the water heater. Lift the water heater up and slide the bottom mounting bracket of the water heater down into the channel. While holding the water heater in place, secure the water heater with mounting screws (provided) into the mounting bracket located at the top of the water heater.

Installation

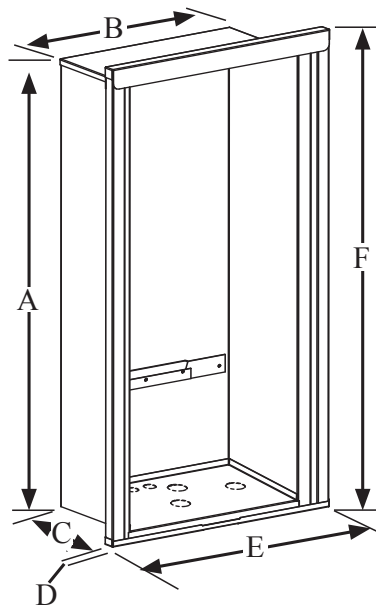
Rough In Dimensions

Height 47"; Width 20"; Depth depends upon siding on home.

Typical Rough in Framing



Recess Box Dimensions



Dim.*	Inches	
Siding	Lap/Brick	Stucco
A	46" (117 cm)	46" (117 cm)
B	19 1/4" (49 cm)	19 1/4" (49 cm)
C	9 1/4" (24 cm)	9 1/4" (24 cm)
D	1" (2.0 cm)	1" (2.0 cm)
E	23 1/4" (59 cm)	26 1/4" (67 cm)
F	48 3/4" (124 cm)	51 3/8" (131 cm)

* Approximate

Plumbing and Piping

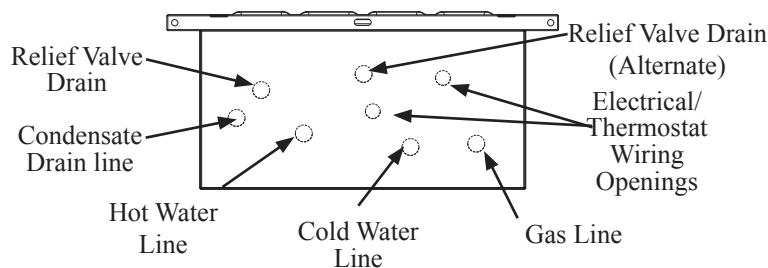
Follow all instructions in the Use and Care Manual for installation of gas and water lines. Knock outs are provided in the bottom of the recess box for all piping and wiring. These knock outs line up with the fittings on the bottom of the water heater.

1. Stub the water lines and gas pipe up through the bottom of the box (See Figure 5). It is recommended that shut off valves and unions be installed in the piping for future service requirements.

Connect the water lines and gas piping to the water heater in accordance with the instructions in the Use and Care Manual provided with the water heater.

2. Seal the holes around the piping with a silicone based sealant to prevent any water from leaking into the wall behind the recess box. Insulate pipes with foam insulation.

Plumbing and Piping Knock Outs



Installation

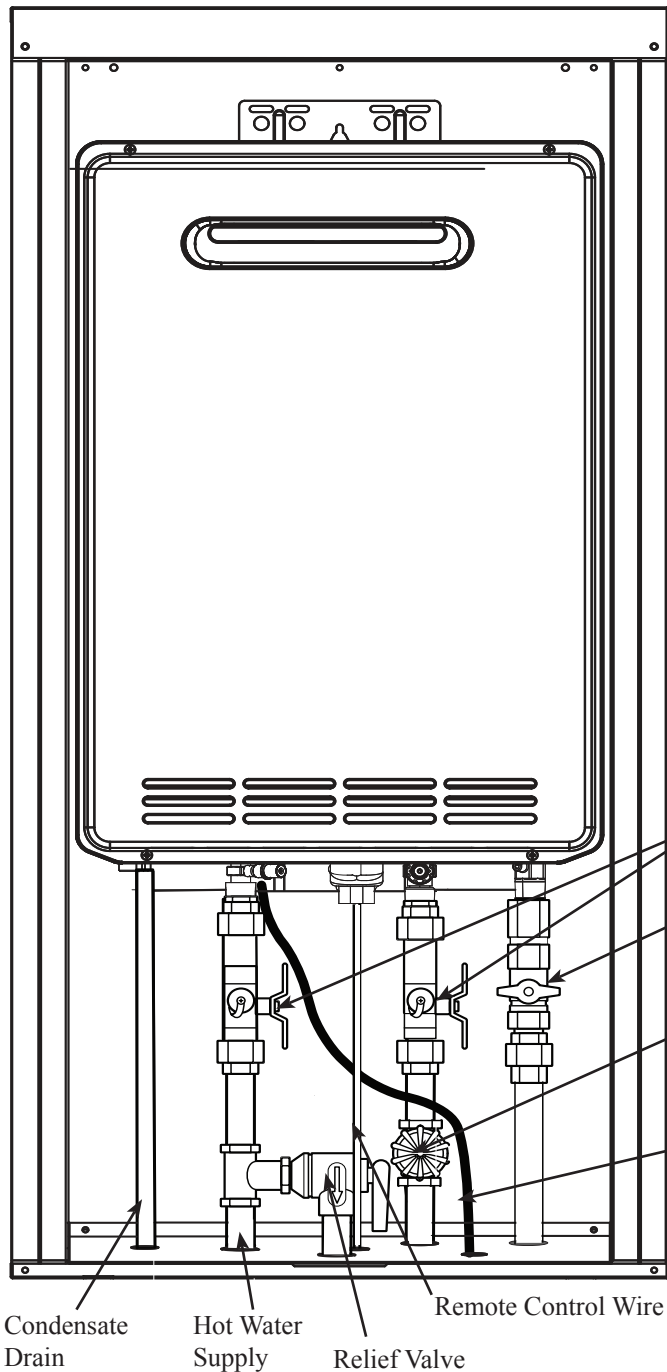
Power Disconnect

Install a suitable means to disconnect power from the unit for service. This disconnect should be weather resistant and meet any and all local codes. In the absence of local codes, the National Electrical Code should be followed. Refer to the Use and Care Manual for instructions in connecting the power to the water heater.

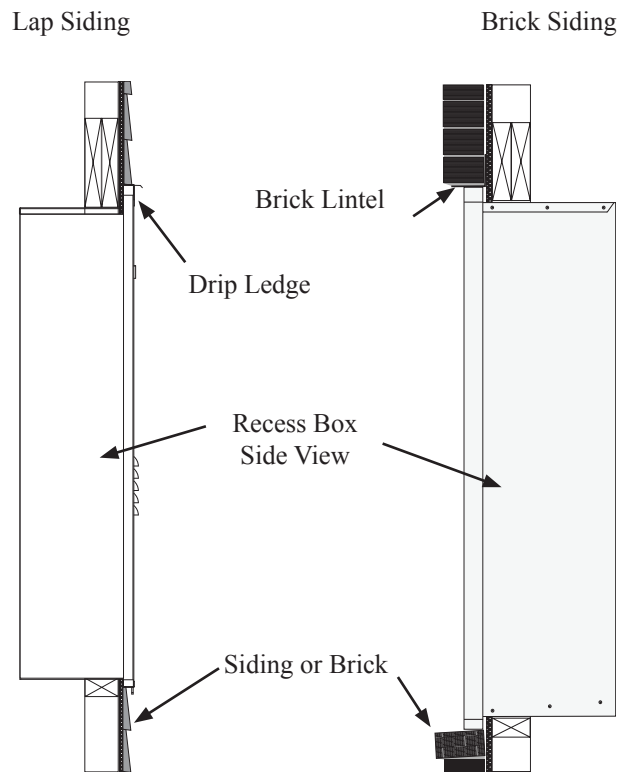
Thermostat Wiring

A hole is provided for the Thermostat wire(s). Route the wire through the hole and connect the wire to the water heater according to the instructions in the Use and Care Manual.

Typical Installation and Finish-Front View



Typical Installation and Finish-Side View



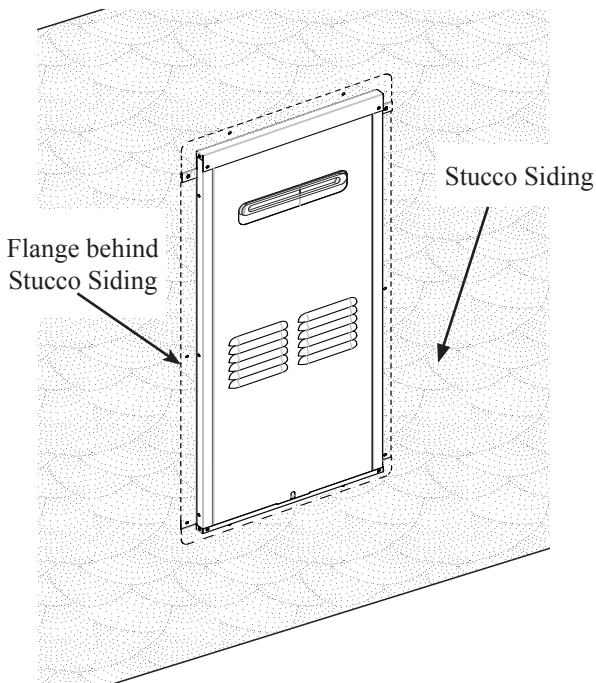
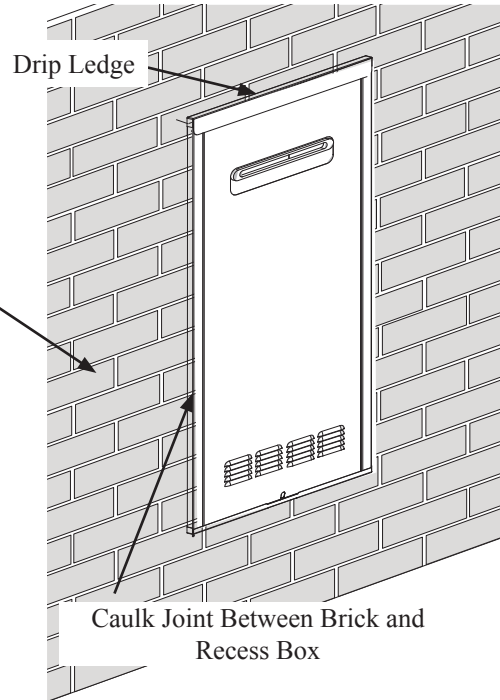
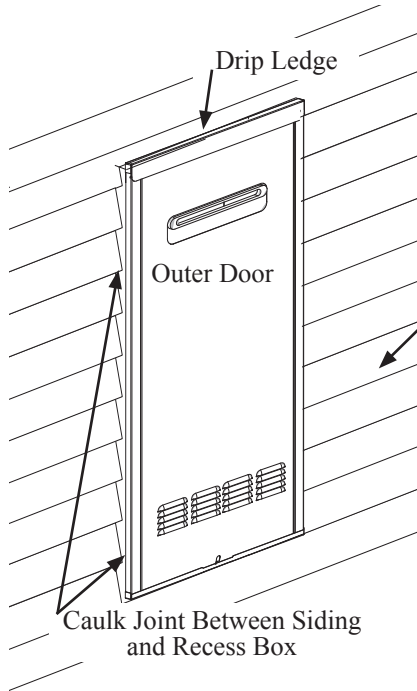
Installation

Final Assembly and Inspection

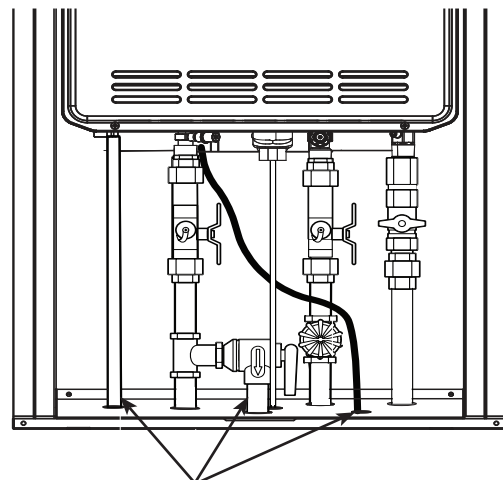
Follow the Use and Care Manual for complete details about the water heater. Check all water and gas connections for leaks.

Seal all openings around pipes and wires with an outdoor grade silicone sealant. Seal the joint between the recess box and the siding or brick of the house with a silicone based sealant to prevent water from getting behind the box into the wall.

Weather Sealing Recess Box



Warning - All openings in the bottom of the recess box must be sealed to prevent water infiltration in to the wall. Failure to do so could result in damage to the wall.



Installation

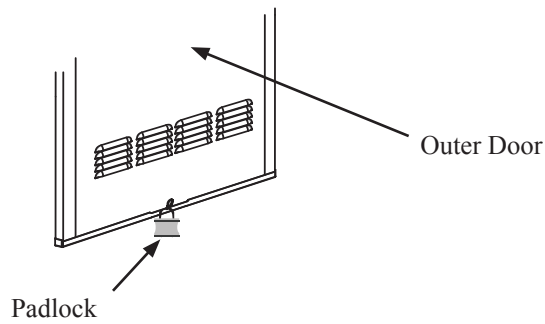
Installing the Door

Lift the door up from the bottom at a slight angle. Slip the door into the channel at the top of the recess box. Next push the bottom of the door flush with the recess box and slide down into the channel

at the bottom of the enclosure. Do not block any air openings on the door.

Once the door is in place, secure with a suitable means (small padlock, security tag, etc.).

Secure Door with Suitable Means



Notes: