

# DISCONNECT SWITCH

ROTARY, UP TO 30A, 3P, UL508

**Eemax Part Number:**

EX68031-15

## Key Features & Benefits

Enclosed disconnect switches are designed to meet customer's requirements for compact and durable individual disconnecting means.

The enclosed disconnect switch range offers safety, ease of installation, space savings and operational convenience to end-users.

- Suitable for use as heating appliance disconnect
- Meets OSHA lockout/tagout requirements
- NEMA rated enclosures
- Knockouts provided
- Easy screw mounting
- Clear ON/OFF indication

## Applications

- Load break switching
- Separate disconnect means within sight of all loads to comply with NEC® Article 430
- Circuit isolation
- Harsh industrial environments

UL / NEMA 4, 4X, 12

Polycarbonate



## Approvals & Standards

> UL 508A   > UL 508   > UL 98   > CSA

## Ratings

### Non Fusible:

**Volts:** 600VAC

**Amps:** Up to 30A

# DISCONNECT SWITCH

ROTARY, UP TO 30A, 3P, UL508

**Eemax Part Number:**  
EX68031-15

## Product Specifications (in/mm)

**Enclosed Disconnect Switches 30A type NEMA**

**4X non-metallic**

Non-fusible disconnect switch up to 30A

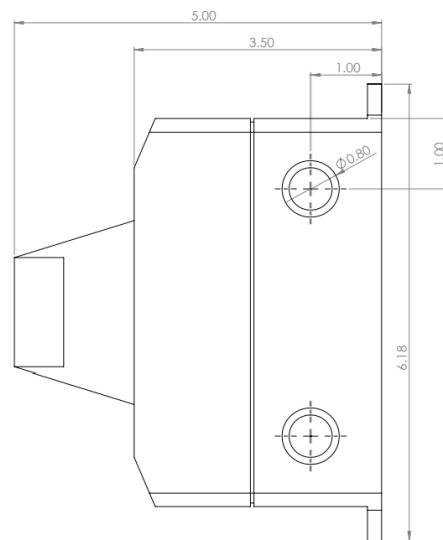
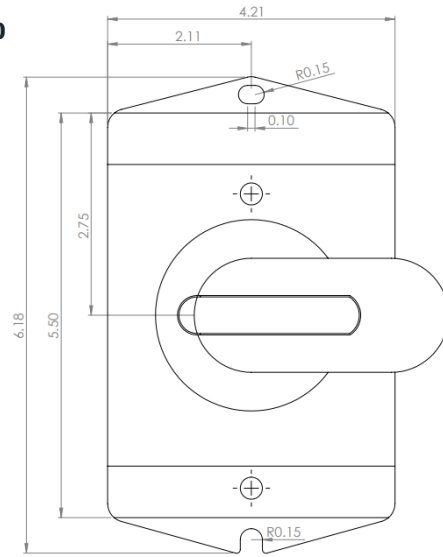
Unit	H	W	D	Weight (lbs)	Rated voltage AC UL
in	5.50	4.21	5.00	1.36	600 V
mm	139	106	127		

**Eemax p/n:** EX68031-15

**Amperage:** Up to 30A

**Recommendation:** Mersen EJM30BS0 enclosed Rotary Disconnect Switch

**EJM30BS0**



## Applicable models

### Single Phase Handwashing

FlowCo	LavAdvantage	AccuMix II
SPEX1812, SPEX2412, SPEX3012, SPEX3512, SPEX3208, SPEX4208, SPEX35, SPEX48, SPEX55, SPEX65, SPEX3277, SPEX4277, SPEX60, SPEX80	SPEX1812T, SPEX2412T, SPEX3012T, SPEX3512T, SPEX3208T, SPEX4208T, SPEX35T, SPEX48T, SPEX55T, SPEX65T, SPEX3277T, SPEX4277T, SPEX60T, SPEX80T	AM004120T, AM005240T, AM004277T, AM008277T