



TWO-STAGE MULTI-POSITION GAS FURNACES

Features

- 96% residential gas furnace CSA certified
- 4 way multi-raise design
- Two stages of operation to save energy and maintain optimal comfort level.
- 7-Segment LED all units
- Ignition System – Direct Spark Ignition for reliability and longevity
- Water Management System with patented Blocked Drain Sensor
- Heat exchanger is removable for improved serviceability. Aluminized steel primary and stainless steel secondary construction provide maximum corrosion resistance and thermal fatigue reliability.
- Low profile “34 inch” cabinet ideal for space constrained installations.
- Blower Shelf design – serviceable in all furnace orientations
- Pre marked hoses – insures proper system drainage
- Vent with 2" or 3" PVC
- Replaceable Collector box
- Hemmed edges on cabinet and doors
- Quarter turn fasteners for tool less access
- Integrated control boards feature dip switches for easy system set up
- Self priming condensate trap
- Cabinet air leakage less than 2% at 1 inch H₂O when tested in accordance with ASHRAE standard 193

W96T SERIES

96% A.F.U.E.†*

Input Rates from 40 to 115 kBTU

[11.72 to 33.71 kW]

†A.F.U.E. (Annual Fuel Utilization Efficiency) calculated in accordance with Department of Energy test procedures.

*Up to 96% A.F.U.E.

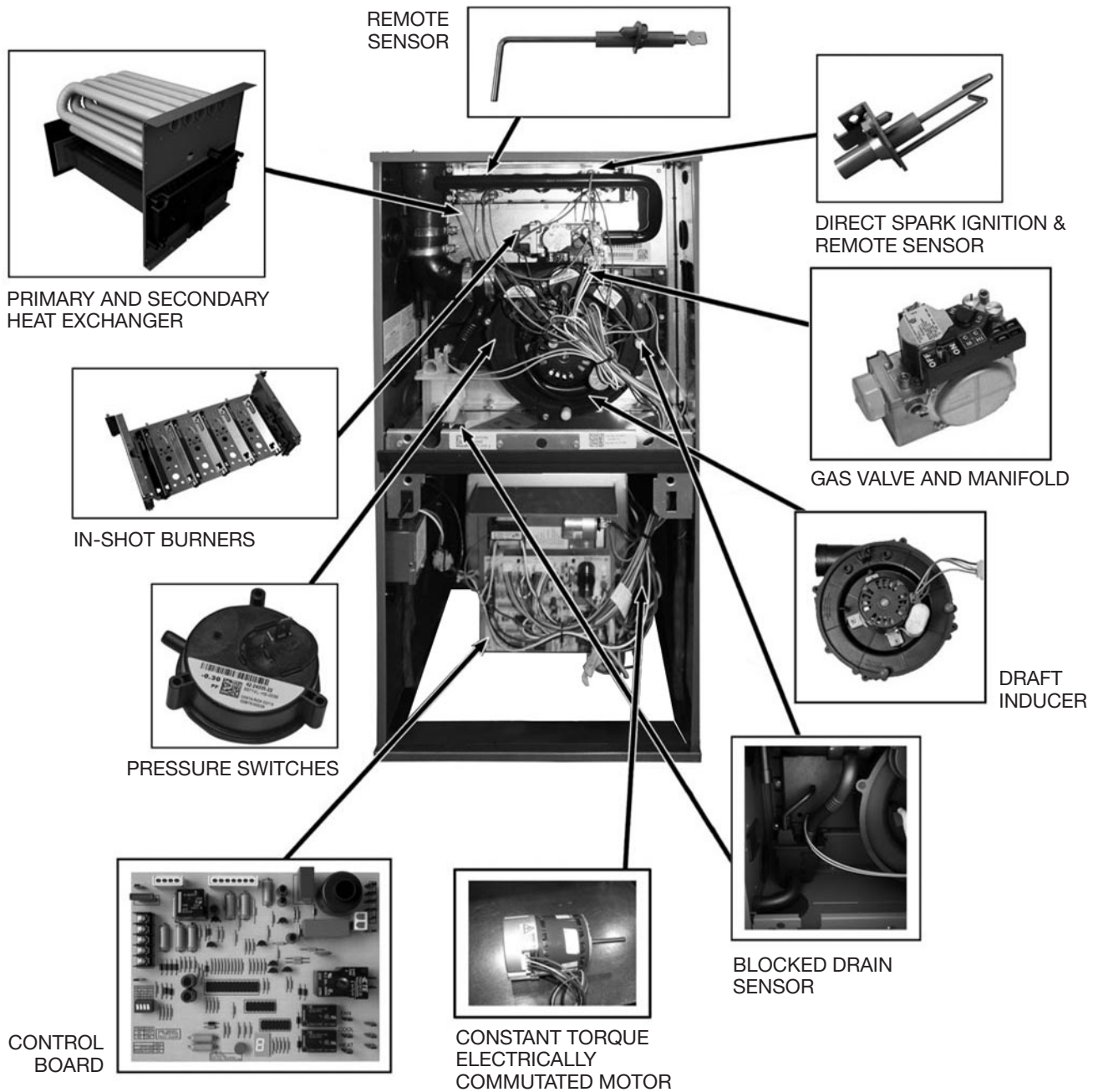


9001:2015



TABLE OF CONTENTS

Standard & Optional Equipment	3
Physical Data & Specifications	4
Model Number Identification	5
Dimensional Data.....	6
Blower Performance Data.....	7
Accessories.....	8
Limited Warranty	9



STANDARD EQUIPMENT

Completely assembled and wired; blocked drain sensor, 7 segment LED and marked hoses; heat exchanger; primary: aluminized steel, secondary: 29-4C stainless steel; 2 stage induced draft; pressure switches; redundant 2 stage main gas control; blower compartment door safety switch; solid state time on/off blower control; limit controls; manual shut-off valve; 100% safety lock out; cool fan off delay; field selectable heat fan off delay; one hour automatic retry; power and self-test diagnostics; flame sense current diagnostics; electronic air cleaner connections; twinning (built-in) features; humidifier connections; humidifier on/off delay; low speed continuous fan option; single speed option for heating and cooling applications; transformer; direct drive, multi-speed constant torque electrically commutated blower motor. (Please note: a thermostat is not included as standard equipment.)

OPTIONAL EQUIPMENT

Side and bottom filter racks; return air cabinet for all sizes.
NOTE: Furnace is not listed for use with fuels other than natural or L.P. (propane) gas.
All models can be converted by a qualified distributor or local service dealer to use L.P. (propane) gas without changing burners. Factory approved kits must be used to convert from natural to L.P. (propane) gas and may be ordered as optional accessories from a parts distributor.
For L.P. (propane) operation, refer to Conversion Kit Index Form.

WARNING
THIS FURNACE IS NOT APPROVED
OR RECOMMENDED
FOR USE IN MOBILE HOMES

Physical Data and Specifications—Upflow Models U.S. and Canadian Models

MODEL NUMBERS	W96TA0402317MSA	W96TA0602317MSA	W96TA0702317MSA	W96TA0702521MSA	W96TA0852521MSA	W96TA1002521MSA	W96TA1152524MSA
HIGH FIRE INPUT BTU/HR [kW] ①	42,000 [12.31]	56,000 [16.41]	70,000 [20.50]	70,000 [20.50]	84,000 [24.61]	98,000 [28.72]	112,000 [32.82]
LOW FIRE INPUT BTU/HR [kW]	29,400 [8.61]	39,200 [11.49]	49,000 [14.36]	49,000 [14.36]	58,800 [17.23]	68,600 [20.11]	78,400 [22.97]
HEATING CAPACITY BTU/HR [kW]	41,000 [12.02]	55,000 [16.12]	68,000 [19.93]	68,000 [19.93]	82,000 [24.03]	95,000 [27.84]	109,000 [31.94]
HIGH ALTITUDE OUTPUT 10% DERATE [kW] ②	36,288 [10.64]	48,384 [14.18]	60,480 [17.72]	60,480 [17.72]	72,576 [21.28]	84,672 [24.81]	96,768 [28.36]
BLOWER (D x W) [mm]	11 x 7 [279 x 178]	11 x 8 [279 x 203]	11 x 8 [279 x 203]	11 x 10 [279 x 254]	11 x 10 [279 x 254]	11 x 10 [279 x 254]	11 x 11 [279 x 279]
MOTOR H.P. [W]—SPEEDS TYPE	1/2 [373]-5-CT	1/2 [373]-5-CT	1/2 [373]-5-CT	1 [746]-5-CT	1 [746]-5-CT	1 [746]-5-CT	1 [746]-5-CT
MINIMUM CIRCUIT AMPACITY	8	8	8	12	12	11	11
MINIMUM OVERLOAD PROTECTION	15	15	15	15	15	15	15
MAXIMUM OVERLOAD PROTECTION	15	15	15	20	20	15	15
MOTOR FULL LOAD AMPS	6.4	6.4	6.4	10.6	10.6	10.6	10.6
HEATING SPEED—HIGH FIRE	MED	MED	MED	MED-LOW	MED-HIGH	MED	MED
HEATING SPEED—LOW FIRE	LOW	MED-LOW	LOW	LOW	MED-LOW	LOW	LOW
COOLING SPEED	MED-HIGH	MED-HIGH	MED-HIGH	HIGH	HIGH	HIGH	HIGH
MINIMUM EXT. STATIC PRESSURE (IN. W.C.) [kPa]	.18 [.045]	.20 [.050]	.23 [.057]	.23 [.057]	.28 [.070]	.28 [.070]	.28 [.070]
MAXIMUM EXT. STATIC PRESSURE (IN. W.C.) [kPa]	0.9 [0.22]	0.9 [0.22]	0.9 [0.22]	0.9 [0.22]	0.9 [0.22]	0.9 [0.22]	0.9 [0.22]
HEATING CFM @ .2" [.049 kPa] W.C. E.S.P. [L/s]	1117 [527]	1223 [577]	1198 [565]	1351 [638]	1706 [805]	1522 [718]	1574 [743]
COOLING CFM @ .7" [.17 kPa] W.C. E.S.P. [L/s]	1102 [520]	1253 [591]	1141 [538]	1750 [826]	1898 [896]	1745 [814]	1765 [833]
TEMPERATURE RISE—HIGH FIRE RANGE IN DEGREES °F [°C]	20 - 50 [11 - 28]	30 - 60 [17 - 33]	40 - 70 [22 - 39]	30-60 [17-33]	30 - 60 [17 - 33]	40 - 70 [22 - 39]	45 - 75 [25 - 42]
TEMPERATURE RISE—LOW FIRE RANGE IN DEGREES °F [°C]	15 - 45 [8 - 25]	20 - 50 [11 - 28]	30 - 60 [17 - 33]	20-50 [11-28]	20 - 50 [11 - 28]	30 - 60 [17 - 33]	35 - 65 [19 - 36]
APPROX. SHIPPING WEIGHT (LBS.) [kg]	123.5 [56]	128 [58]	132 [60]	139 [63]	147.5 [67]	152 [69]	165 [75]
AFUE ③	96.00%	96.00%	96.00%	96%	96.00%	96.00%	96.00%

NOTES: All models are 115V, 60HZ, 1 phase Gas connection size for all models is 1/2" [13 mm] N.P.T.

① Installation instructions for high altitude derate.

② Canadian installations only.

③ In accordance with D.O.E. test procedures.

*S=Standard Models

NOTE: Standard model complies with California low nox requirements.

This furnace does not meet air district requirements of 14 ng/J NOx emissions limit, and thus is subject to a mitigation fee of up to \$450. This furnace is not eligible for the Clean Air Furnace Rebate Program: www.CleanAirFurnaceRebate.com.

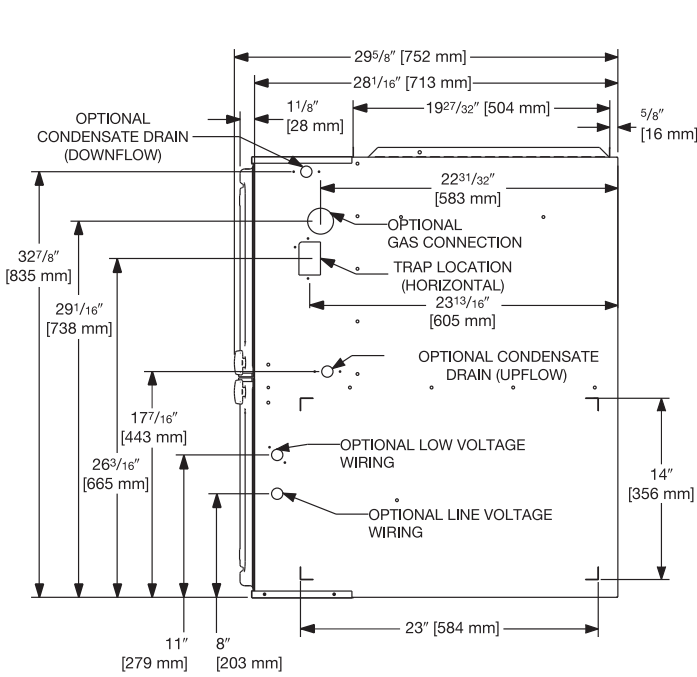
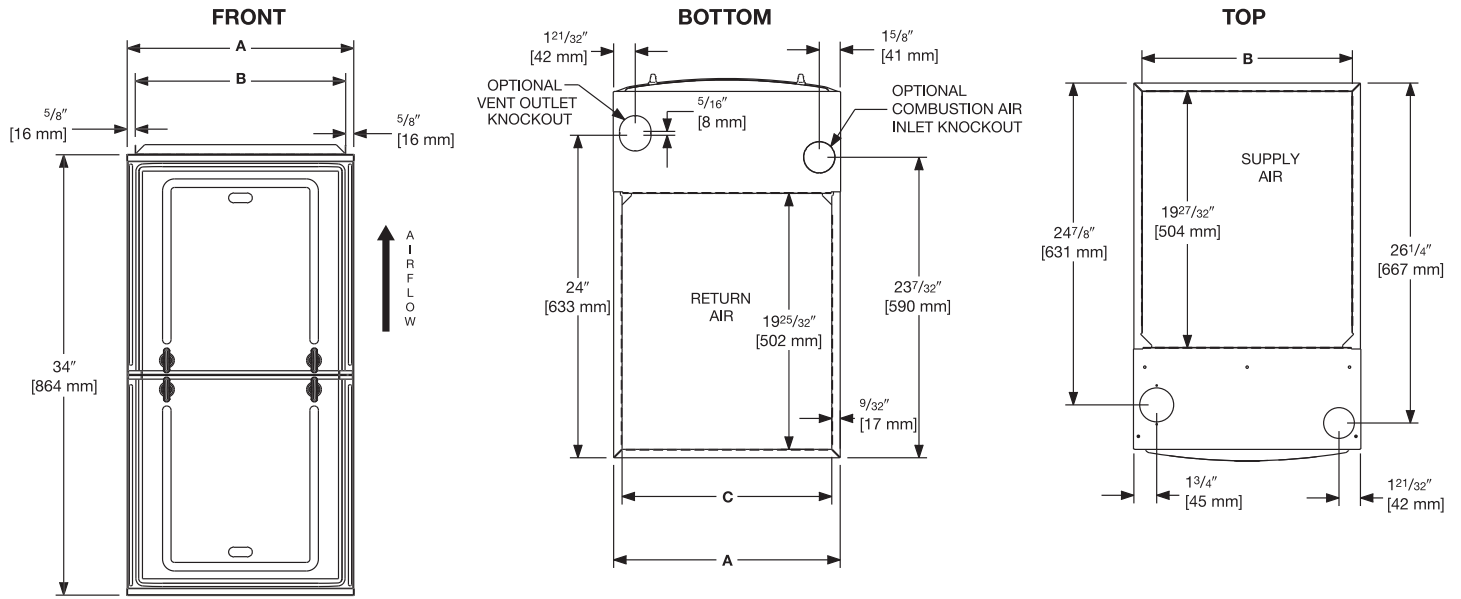
This furnace is to be installed for propane firing only in air districts requiring 14 ng/J NOx emission limits. Operating in natural gas mode is in violation of these Rules.

[] Designates Metric Conversions

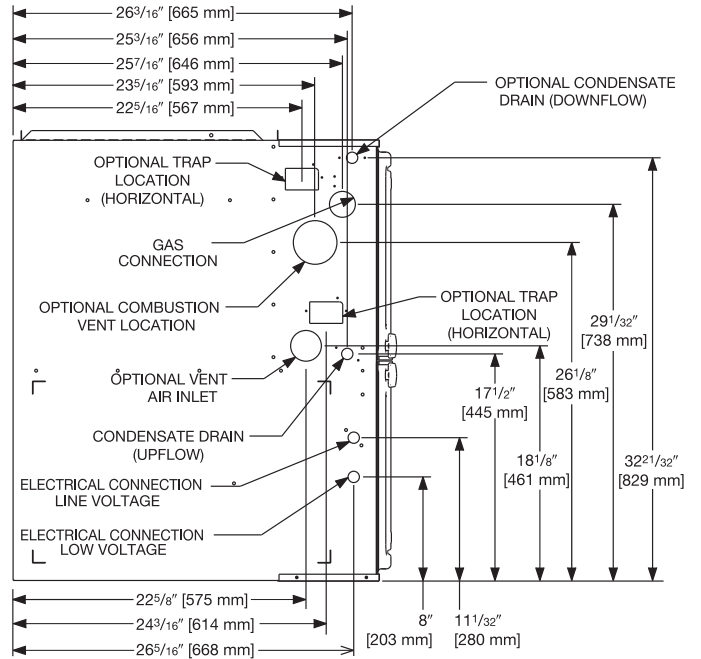
Model Number Identification

<u>W</u>	<u>96</u>	<u>T</u>	<u>A</u>	—	<u>040</u>	<u>2</u>	<u>3</u>	<u>17</u>	<u>M</u>	<u>S</u>	<u>A</u>
Weather King	Series 96% Efficient	Motor - Constant Torque	Design Series A = 1st Design		Input BTU/HR	Stage - Two	Airflow 3 - Up to 3 Tons 5 - Up to 5 Tons	Cabinet Width 17 = 17.5" 21 = 21.0" 24 = 24.5"	Configuration - Multi-Position	S = Standard	Revision - Marketing (A - First Time Release)
					040 = 42,000 [12.31 kW]						
					060 = 56,000 [16.41 kW]						
					070 = 70,000 [20.51 kW]						
					085 = 84,000 [24.62 kW]						
					100 = 98,000 [28.72 kW]						
					115 = 112,000 [32.82 kW]						

[] Designates Metric Conversions



RIGHT SIDE



LEFT SIDE

**UNIT DIMENSIONS
(CLEARANCE TO COMBUSTIBLES)**

MODEL W96T	LEFT SIDE	MINIMUM CLEARANCE (IN.) [mm]					SHIP WGTs.	FLANGE DIMENSIONS		
		RIGHT SIDE	BACK	TOP	FRONT	VENT		A	B	C
040	0	0	0	1 [25]	2 [51]	0	123.5 [56]	17 1/2 [445]	16 13/64 [413]	16 13/64 [412]
060	0	0	0	1 [25]	2 [51]	0	128 [58]	17 1/2 [445]	16 17/64 [413]	16 13/64 [412]
070	0	0	0	1 [25]	2 [51]	0	132 [60]	17 1/2 [445]	16 17/64 [413]	16 13/64 [412]
070 (Wide)	0	0	0	1 [25]	2 [51]	0	147.5 [67]	21 [533]	19 49/64 [502]	19 45/64 [500]
085	0	0	0	1 [25]	2 [51]	0	147.5 [67]	21 [533]	19 49/64 [502]	19 45/64 [500]
100	0	0	0	1 [25]	2 [51]	0	152 [69]	21 [533]	19 49/64 [502]	19 45/64 [500]
115	0	0	0	1 [25]	2 [51]	0	165 [75]	24 1/2 [662]	23 17/64 [591]	23 13/64 [589]

*A service clearance of at least 24" is recommended in front of all furnaces
Supply and return depicted as upflow configuration.
Flange configuration will vary depending on installation orientation.

[] Designates Metric Conversions

MODEL	BLOWER SIZE IN. [mm]	MOTOR H.P. [W]	SPEED TAP	CFM [L/s] AIR DELIVERY EXTERNAL STATIC PRESSURE INCHES WATER COLUMN [kPa]								
				0.1 [.02]	0.2 [.05]	0.3 [.07]	0.4 [.10]	0.5 [.12]	0.6 [.15]	0.7 [.17]	0.8 [.19]	0.9 [.22]
W96T 402317	11 x 7 [279 x 178]	1/2 [373]	Low**	893	840	788	737	683	611	551	491	439
			Med. Lo	1021	976	931	884	838	792	745	673	615
			Med.*	1155	1117	1075	1039	999	957	915	872	819
			Med. Hi	1331	1291	1255	1216	1176	1139	1102	1065	1026
			High	1423	1387	1355	1320	1285	1250	1215	1180	1144
W96T 602317	11 x 8 [279 x 203]	1/2 [373]	Low	767	711	651	577	506	466	411	367	326
			Med. Lo**	1137	1100	1057	1018	984	944	891	834	786
			Med.*	1265	1223	1189	1154	1125	1088	1057	1023	980
			Med. Hi	1395	1364	1335	1301	1272	1240	1215	1186	1161
			High	1445	1412	1379	1347	1318	1287	1253	1226	1195
W96T 702317	11 x 8 [279 x 203]	1/2 [373]	Low**	969	916	826	798	736	666	614	554	507
			Med. Lo	1105	1054	1010	961	910	840	791	735	686
			Med.*	1239	1198	1147	1101	1060	1011	951	887	838
			Med. Hi	1383	1332	1299	1263	1223	1182	1141	1090	1034
			High	1482	1444	1409	1379	1343	1294	1266	1226	1182
W96T 702521 (Wide)	11 x 10 [279 x 254]	1 [746]	Low*	1155	1095	1044	968	906	846	766	702	643
			Med-Low**	1453	1397	1349	1300	1255	1208	1134	1082	1033
			Med	1582	1532	1481	1441	1400	1358	1309	1247	1187
			Med-High	1744	1702	1660	1624	1590	1550	1516	1475	1435
			High	1976	1934	1895	1860	1826	1794	1752	1659	1553
W96T 852521	11 x 10 [279 x 254]	1 [746]	Low	1171	1121	1054	962	890	827	752	686	630
			Med. Lo**	1480	1433	1390	1322	1266	1195	1132	1085	1032
			Med.	1619	1577	1534	1486	1447	1397	1326	1283	1232
			Med. Hi*	1743	1706	1663	1627	1588	1545	1505	1444	1386
			High	2131	2099	2065	2031	2004	1966	1898	1795	1683
W96T 1002521	11 x 10 [279 x 254]	1 [746]	Low**	1281	1232	1180	1131	1081	1031	944	903	845
			Med. Lo	1431	1367	1316	1274	1227	1181	1117	1072	1019
			Med.*	1561	1522	1482	1436	1394	1354	1306	1265	1186
			Med. Hi	1733	1694	1654	1615	1578	1535	1500	1461	1411
			High	1956	1916	1880	1845	1812	1777	1745	1710	1619
W96T 1152524	11 x 11 [279 x 279]	1 [746]	Low**	1333	1273	1208	1141	1074	1016	955	898	842
			Med. Lo	1480	1426	1373	1310	1241	1190	1131	1077	1024
			Med.*	1627	1574	1522	1472	1417	1355	1308	1250	1199
			Med. Hi	1828	1781	1728	1682	1635	1578	1525	1478	1420
			High	2030	1987	1942	1898	1857	1811	1765	1720	1673

** = Factory tap for Low Fire

* = Factory tap for Hi Fire

NOTE: The Technician/Installer must verify that the furnace is operating within the published rise range before completing the installation

[] Designates Metric Conversions.

VENT TERMINATION KITS: =

RXGY-E02: Vertical/Horizontal Concentric Vent Termination Kit
2" Pipe (US Only)

RXGY-E02A: Vertical/Horizontal Concentric Vent Termination Kit
2" Pipe (US & Canadian)

RXGY-E03: Vertical/Horizontal Concentric Vent Termination Kit
3" Pipe (US Only)

RXGY-E03A: Vertical/Horizontal Concentric Vent Termination Kit
3" Pipe (US & Canadian)

RXGY-G02: Direct Vent Furnace Side Wall Vent 2" or 3" (US Only)

RXGY-D05: Combustion Air Drain Kit 2"

RXGY-D06: Combustion Air Drain Kit 3"

NEUTRALIZER KIT: RXGY-A01
(Replacement Cartridge 54-22120-01)

FOSSIL FUEL KIT: RXPF-F01, RXPF-F02 (TVA)

EXTERNAL BOTTOM FILTER (UPFLOW/HORIZONTAL) RACK:
RXGF-CB

EXTERNAL SIDE (UPFLOW) FILTER RACK: RXGF-CD

EXTERNAL (DOWNFLOW) FILTER RACK: RXGF-CC

FOR HIGH ALTITUDES:

NOTE: For Canadian installations only, an optional derate (manifold gas pressure reduction) method may be used to adjust the furnace for altitude. See Installation Instructions for more information. This optional method may **NOT** be used for U.S. installations. See installation instructions as appropriate orifice change is required.

L.P. CONVERSION KIT: RXGJ-FP34

CONDENSATE PUMP KIT: PROSTOCK & 1PCB151TUL

DOWNFLOW/HORIZONTAL CONVERSION KIT: RXGY-CK

**DOWNFLOW/HORIZONTAL LEFT ZERO CLEARANCE
CONVERSION KIT:** RXGY-ZK

COMBUSTIBLE FLOOR BASE: RXGC-B17
RXGC-B21
RXGC-B24

[] Designates Metric Conversions

FILTER RACK FILTER SIZES* INCHES [mm]			
MODEL	RXGF-CB (UPFLOW/ HORIZONTAL)	RXGF-CD (UPFLOW)	RXGF-CC (DOWNFLOW)
W96TA040	15 ³ / ₄ x 25 [400 x 635]	15 ³ / ₄ x 25 [400 x 635]	12 x 20 [305 x 508]
W96TA060	15 ³ / ₄ x 25 [400 x 635]	15 ³ / ₄ x 25 [400 x 635]	12 x 20 [305 x 508]
W96TA070	15 ³ / ₄ x 25 [400 x 635]	15 ³ / ₄ x 25 [400 x 635]	12 x 20 [305 x 508]
W96TA070 (Wide)	19 ¹ / ₄ x 25 [489 x 635]	15 ³ / ₄ x 25 [400 x 635]	12 x 20 [305 x 508]
W96TA085	19 ¹ / ₄ x 25 [489 x 635]	15 ³ / ₄ x 25 [400 x 635]	12 x 20 [305 x 508]
W96TA100	19 ¹ / ₄ x 25 [489 x 635]	15 ³ / ₄ x 25 [400 x 635]	12 x 20 [305 x 508]
W96TA115	22 ³ / ₄ x 25 [578 x 635]	15 ³ / ₄ x 25 [400 x 635]	14 x 20 [356 x 508]

*Filter racks are shipped without filters.
Filters shipped with furnace may be used or a suitable 1" [25.4 mm] filter.

INDOOR COIL CASINGS

MODEL NUMBER
RXBC-D17A1
RXBC-D21A1
RXBC-D21B1
RXBC-D24A1

GENERAL TERMS OF LIMITED WARRANTY*

WeatherKing will furnish a replacement for any part of this product which fails in normal use and service within the applicable period stated, in accordance with the terms of the limited warranty.

***For complete details of the Limited and Conditional Warranties, including applicable terms and conditions, contact your local contractor or the Manufacturer for a copy of the product warranty certificate.**

Parts.....Five (5) Years
Heat ExchangerFifteen (15) Years

Before proceeding with installation, refer to installation instructions packaged with each model, as well as complying with all Federal, State, Provincial, and Local codes, regulations, and practices.



"In keeping with its policy of continuous progress and product improvement, WeatherKing reserves the right to make changes without notice."