

Endeavor[®] Line Air Handlers



WB2TZ

Constant Torque Motor (ECM)
Two Stage Airflow
Efficiencies: 13.4 - 14.3 SEER2



Table of Contents

| | |
|-----------------------------------|-------|
| Features & Benefits | 3 |
| Model Number Identification | 4 |
| Dimensional Data | 5 |
| Unit Dimensions & Weights | 6 |
| Airflow Directional Data | 7 |
| Airflow Performance Data | 8-12 |
| Electrical Data | 13-14 |
| Limited Warranty | 16 |

Features and Benefits

- **Quiet Operation¹:** Provided by a cabinet construction with 1.0 inch foil faced insulation for quieter sound characteristics
- **Rugged Steel Cabinet Construction:** Designed for added strength and versatility
- **Compact Design and 4-Way Field Convertible Design:** Stands at only 35" tall and convertible options include vertical upflow, vertical downflow, horizontal left hand or right hand air supply
- **Less than 2% Cabinet Air Leakage at 1-inch H₂O:** When tested in accordance with ASHRAE Standard 193

¹Based on manufacturer's air handler offering, and the product's airflow stages, motor type and cabinet insulation. Sound levels are also dependent on air handler location and installation.

Air Handlers

| <u>W</u> | <u>B</u> | <u>2</u> | <u>T</u> | <u>Z</u> | <u>24</u> | <u>17</u> | <u>S</u> | <u>T</u> | <u>A</u> | <u>N</u> | <u>M</u> | <u>A</u> | <u>B</u> | <u>0</u> |
|----------|------------------|-------------------|---------------------|-------------|-----------------------------------------------------------------------------------------------------|--------------------------------------|--------------|----------|----------------|-----------------------|---------------|----------------------------------|-------------------------|---------------------------------------------------------------|
| Brand | Product Category | Stages Of Airflow | Motor Type | Refrigerant | Capacity | Width | Efficiency | Metering | Major Series | Controls | Coil Series | Voltage | Disconnect | Factory Heat |
| W - Ruud | B - Low Boy 34' | 2 - 2-Stage | T - Constant Torque | Z - R-410A | 24 - 24,000 [7.03 kW] 36 - 36,000 [10.55 kW] 48 - 48,000 [14.07 kW] 60 - 60,000 [17.58 kW] | 17 - 17.5" 21 - 21" 24 - 24.5" | S - Standard | T - TXV | A - 1st Design | N - Non-Communicating | M - Multiflex | A - 115/1/60 J - 208-240/1/60 | B - Breaker N - None | 0 - No Heat 3 - 3 kW 5 - 5 kW 7 - 7 kW 10 - 10 kW |

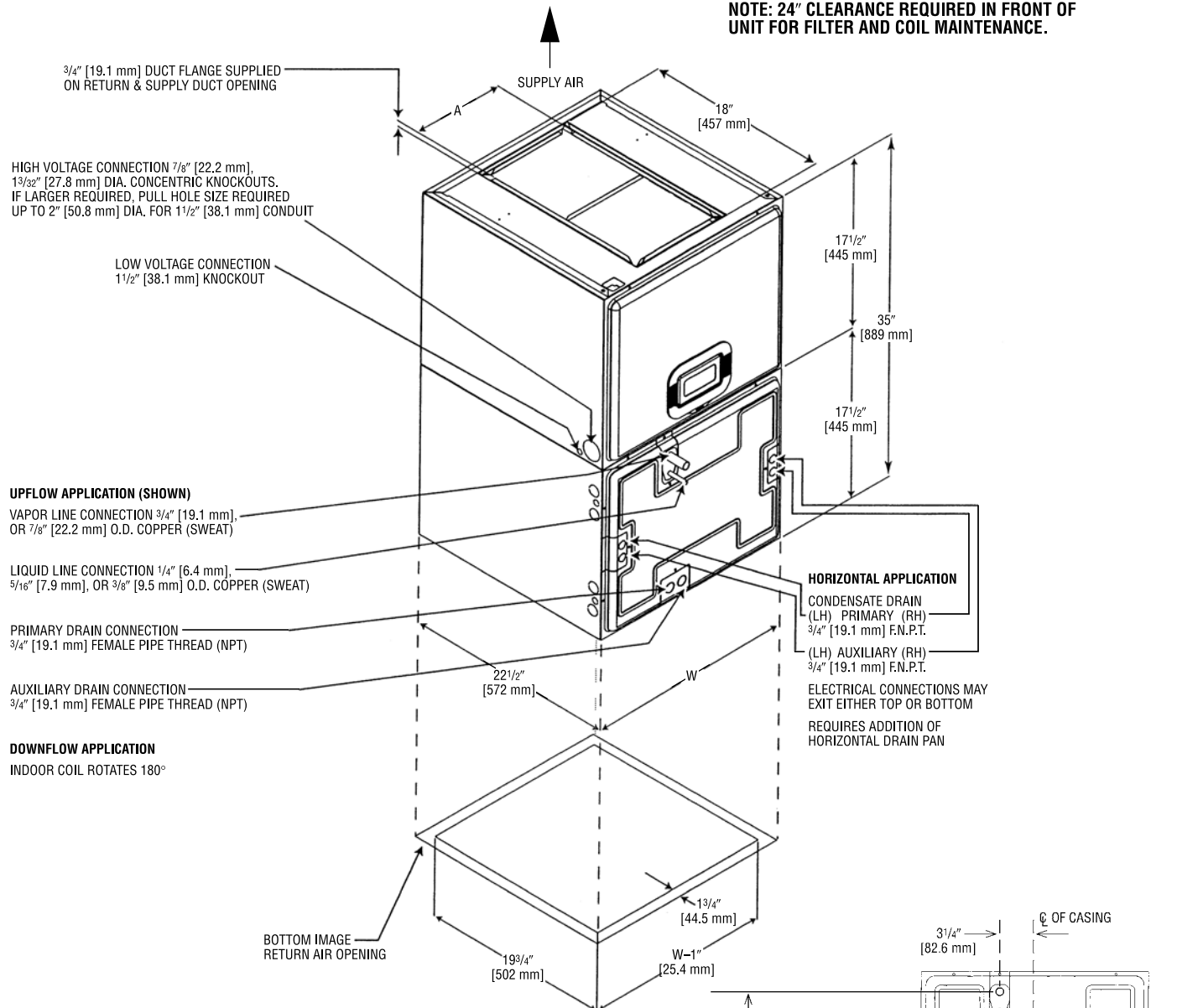
[] Designates Metric Conversions

| Available Models |
|--------------------|
| WB2TZ2417STANMJB05 |
| WB2TZ2417STANMJB07 |
| WB2TZ2417STANMAN00 |
| WB2TZ3621STANMJB05 |
| WB2TZ3621STANMJB07 |
| WB2TZ3621STANMJB10 |
| WB2TZ3621STANMAN00 |
| WB2TZ4824STANMJB05 |
| WB2TZ4824STANMJB07 |
| WB2TZ4824STANMJB10 |
| WB2TZ4824STANMAN00 |
| WB2TZ6024STANMJB10 |
| WB2TZ6024STANMAN00 |

| Standard Equipment |
|-------------------------------------------------------------------------------------------------------|
| Compact Unit Design |
| Quiet, efficient ECM Motor provides nominal airflow to 0.58 inch [12 kPa] of external static pressure |
| Field selectable airflow |
| Low continuous fan speed |
| Rugged steel cabinet construction 1" foil faced insulation |
| Four leg rubber insulated wire motor mount |
| Circuit breakers are standard on all electric heat models |
| Provisions for field electrical connections from both sides of cabinet |
| Slide out blower design for easy service & maintenance |
| Tab lock blower housing with integrated electric heaters, controls, motor and blower |

Unit Dimensions

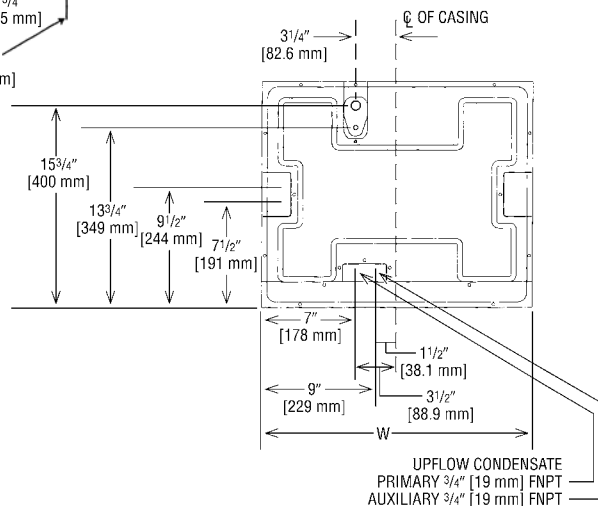
NOTE: 24" CLEARANCE REQUIRED IN FRONT OF UNIT FOR FILTER AND COIL MAINTENANCE.



**UPFLOW UNIT (WITH COIL) SHOWN:
 UNIT MAY BE INSTALLED UPFLOW, DOWNFLOW,
 HORIZONTAL RIGHT OR LEFT HAND AIR SUPPLY.**

Return Air Opening Dimensions

| Model Cabinet Size | Return Air Opening Width (Inches) | Return Air Opening Depth/Length (Inches) |
|--------------------|-----------------------------------|------------------------------------------|
| 17 | 15 7/8 | 19 3/4 |
| 21 | 19 3/8 | 19 3/4 |
| 24 | 22 7/8 | 19 3/4 |



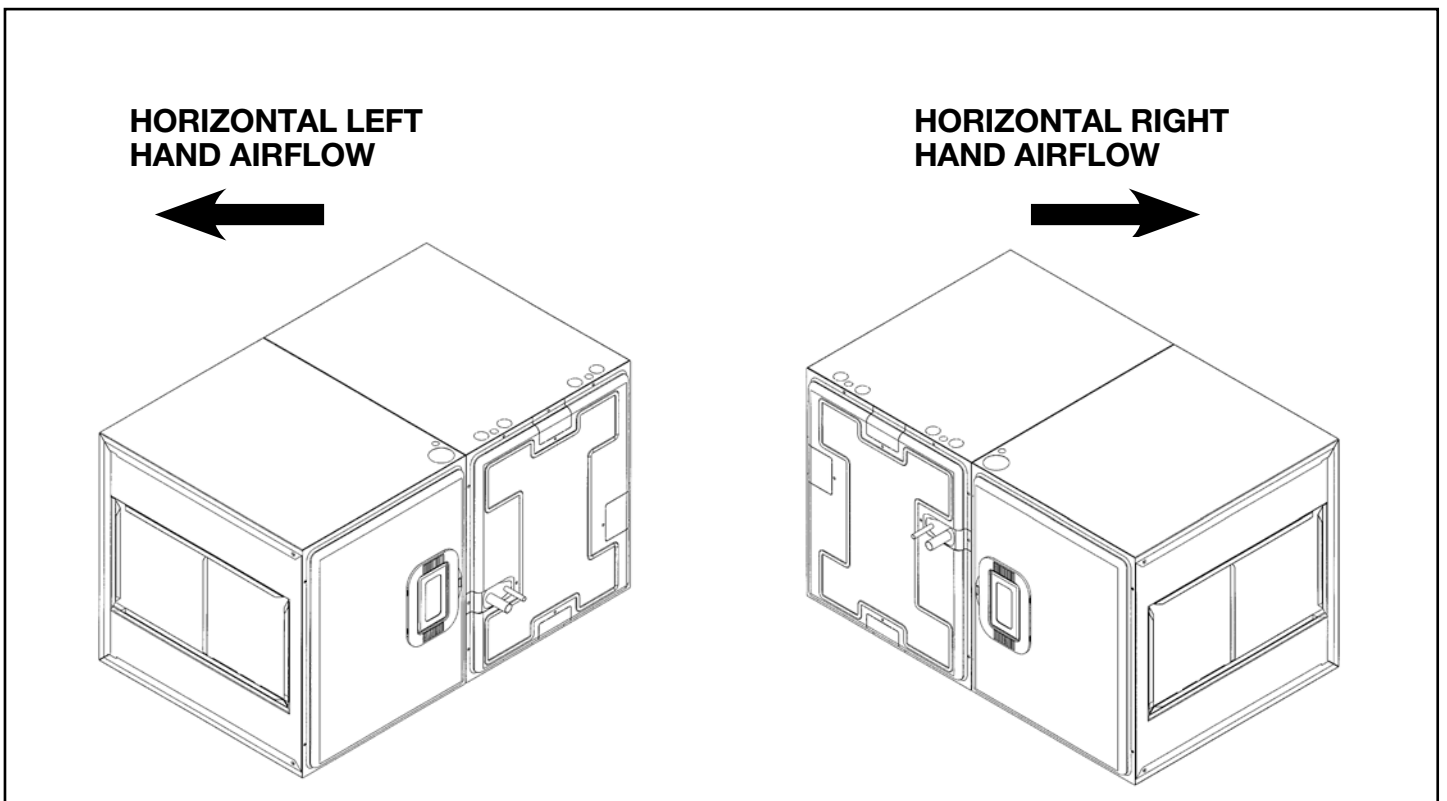
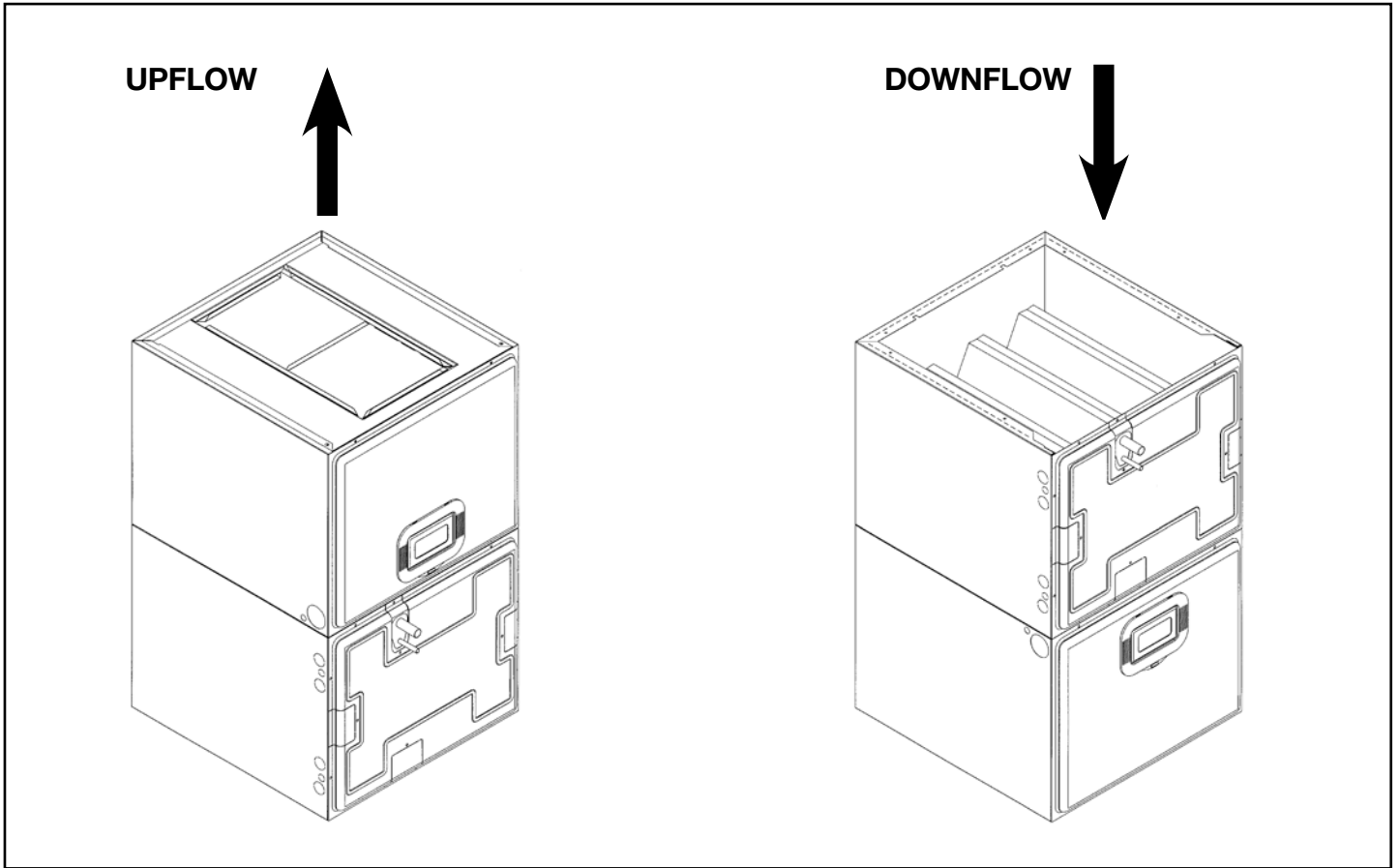
[] Designates Metric Conversions

Unit Dimensions & Weights

| Model Cabinet Size | Unit Width "W" In. [mm] | Supply Duct "A" In. [mm] | Unit Weight/Shipping Weight (Lbs.) [kg] |
|--------------------|--------------------------------------|--------------------------------------|-----------------------------------------|
| 17 | 17 ¹ / ₂ [445] | 7 ⁹ / ₁₆ [192] | 92/99 [42/45] |
| 21 | 21 [533] | 9 ⁷ / ₁₆ [240] | 109/117 [49/53] |
| 24 | 24 ¹ / ₂ [622] | 11 ³ / ₄ [298] | 125/134 [57/61] |

[] Designates Metric Conversions

Airflow Directional Data



NOTE: Coil and blower section are always in a draw through configuration.

Airflow Performance

Airflow performance data is based on cooling performance with a coil and no filter in place. Select performance table for appropriate unit size, voltage and number of electric heaters to be used. Make sure external static applied to unit allows operation within the minimum and maximum limits shown in

table below for both cooling and electric heat operation. For optimum blower performance, operate the unit in the .3 [8 mm] to .7 inches [18 mm] W.C. external static range. Units with coils should be applied with a minimum of .1 inch [3 mm] W.C. external static range.

General Airflow Operating Limits

| Model Cabinet Size | 17 | | 21 | | 24 | | 24 | |
|-------------------------------------------------------------------------------------------------|---------------|-------------|---------------|-------------|---------------|-------------|-------------|-------------|
| Cooling BTUH Cooling Tons Nominal | 18,000 1.5 | 24,000 2 | 30,000 2.5 | 36,000 3 | 42,000 3.5 | 48,000 4 | 60,000 5 | 60,000 5 |
| Heat Pump or Air Conditioning Maximum Heat/Cool CFM (37.5 CFM/1,000 BTUH) (450 CFM/Ton Nominal) | 675 | 900 | 1125 | 1350 | 1575 | 1800 | 2025 | 2250 |
| Heat Pump or Air Conditioning Nominal Heat/Cool CFM (33.3 CFM/1,000 BTUH) (400 CFM/Ton Nominal) | 600 | 800 | 1000 | 1200 | 1400 | 1600 | 1800 | 2000 |
| Heat Pump or Air Conditioning Minimum Heat/Cool CFM (30.0 CFM/1,000 BTUH) (360 CFM/Ton Nominal) | 540 | 720 | 900 | 1080 | 1260 | 1440 | 1620 | 1800 |
| Maximum kW Electric Heating & Minimum Electric Heat CFM | 11 560 | 11 560 | 11 900 | 11 1220 | 18 1220 | 18 1220 | 18 1460 | 18 1460 |
| Maximum Electric Heat Rise °F | 85 | 85 | 35 | 35 | 65 | 65 | 43 | 43 |

115V/208V/240V Airflow Performance Data – WB2TZ (Constant Torque (ECM) Motor)

| Model | | | Blower Motor | | | External Static Pressure—Inches W.C. [kPa] with filter & indoor coil | | | | | | | | | |
|--------------|------------|------------|----------------------------|---------|-------|----------------------------------------------------------------------|--------------|--------------|--------------|--------------|--------------|--------------|--------------|--------------|--------------|
| Cabinet Size | Tonnage | Heaters | Electric Nominal Speed Tap | Voltage | | 0.1 [.02] | 0.2 [.05] | 0.3 [.07] | 0.4 [.10] | 0.5 [.12] | 0.6 [.15] | 0.7 [.17] | 0.8 [.20] | 0.9 [.23] | 1.0 [.25] |
| -17 | 1.5 Ton | none | 2 | 208/240 | CFM | — | 519 | 476 | 433 | 391 | 348 | 301 | 257 | 181 | 120 |
| | | | | | WATTS | — | 52.8 | 57.1 | 61.5 | 66.3 | 71.7 | 76.7 | 80.1 | 84.0 | 86.4 |
| | | none | 3 | 208/240 | CFM | — | 720 | 689 | 656 | 623 | 591 | 559 | 526 | 495 | 463 |
| | | | | | WATTS | — | 99.3 | 104.5 | 109.8 | 115.4 | 120.8 | 126.2 | 132.1 | 138.5 | 145.1 |
| | | 3 (max) | 2 | 208/240 | CFM | — | 509 | 466 | 423 | 381 | 338 | 291 | 247 | 171 | 110 |
| | | | | | WATTS | — | 47.8 | 52.1 | 56.5 | 61.3 | 66.7 | 71.7 | 75.1 | 79.0 | 81.4 |
| | 3 (max) | 3 | 208/240 | CFM | — | 710 | 679 | 646 | 613 | 581 | 549 | 516 | 485 | 453 | |
| | | | | WATTS | — | 94.3 | 99.5 | 104.8 | 110.4 | 115.8 | 121.2 | 127.1 | 133.5 | 140.1 | |
| | none | 2 | 115 | CFM | — | 550 | 509 | 468 | 429 | 390 | 347 | 255 | 303 | 183 | |
| | | | | WATTS | — | 49.1 | 54.2 | 59.1 | 63.8 | 68.8 | 74.5 | 84.4 | 80.4 | 88.3 | |
| | none | 3 | 115 | CFM | 745 | 712 | 678 | 645 | 613 | 581 | 548 | 517 | 488 | 451 | |
| | | | | WATTS | 92.9 | 98.8 | 105.6 | 111.6 | 117.6 | 123.3 | 129.1 | 135.5 | 141.3 | 149.3 | |
| | 2.0 Ton | none | 4 | 208/240 | CFM | — | 602 | 563 | 525 | 490 | 452 | 414 | 374 | 334 | 292 |
| | | | | | WATTS | — | 68.6 | 73.3 | 78.0 | 82.4 | 87.4 | 93.3 | 99.4 | 105.1 | 108.6 |
| | | none | 5 | 208/240 | CFM | — | — | 845 | 818 | 792 | 764 | 735 | 707 | 680 | 654 |
| | | | | | WATTS | — | — | 158.4 | 164.5 | 170.7 | 176.9 | 183.9 | 190.7 | 197.0 | 203.6 |
| | | 3 (max) | 4 | 208/240 | CFM | — | 592 | 553 | 515 | 480 | 442 | 404 | 364 | 324 | 282 |
| | | | | | WATTS | — | 63.6 | 68.3 | 73.0 | 77.4 | 82.4 | 88.3 | 94.4 | 100.1 | 103.6 |
| 3 (max) | | 5 | 208/240 | CFM | — | — | 835 | 808 | 782 | 754 | 725 | 697 | 670 | 644 | |
| | | | | WATTS | — | — | 153.4 | 159.5 | 165.7 | 171.9 | 178.9 | 185.7 | 192.0 | 198.6 | |
| none | | 4 | 115 | CFM | 641 | 605 | 567 | 530 | 496 | 460 | 427 | 387 | 349 | 305 | |
| | | | | WATTS | 67.1 | 72.7 | 78.5 | 83.8 | 88.8 | 94.6 | 99.8 | 106.6 | 113.2 | 118.1 | |
| none | 5 | 115 | CFM | 896 | 870 | 840 | 810 | 782 | 754 | 727 | 699 | 674 | 648 | | |
| | | | WATTS | 147.5 | 154.0 | 161.9 | 169.5 | 176.9 | 183.9 | 191.1 | 197.9 | 205.2 | 212.4 | | |

[] Designates Metric Conversions

115V/208V/240V Airflow Performance Data – WB2TZ (Constant Torque (ECM) Motor) (Con't.)

| Model | | | Blower Motor | | | External Static Pressure—Inches W.C. [kPa] with filter & indoor coil | | | | | | | | | |
|--------------|------------|------------|----------------------------|---------|-------|----------------------------------------------------------------------|--------------|--------------|--------------|--------------|--------------|--------------|--------------|--------------|--------------|
| Cabinet Size | Tonnage | Heaters | Electric Nominal Speed Tap | Voltage | | 0.1 [.02] | 0.2 [.05] | 0.3 [.07] | 0.4 [.10] | 0.5 [.12] | 0.6 [.15] | 0.7 [.17] | 0.8 [.20] | 0.9 [.23] | 1.0 [.25] |
| -21 | 2.5 Ton | none | 2 | 208/240 | CFM | 789 | 743 | 699 | 605 | 557 | 497 | 451 | 391 | 322 | 254 |
| | | | | | WATTS | 57.9 | 63.2 | 68.4 | 79.0 | 85.3 | 91.8 | 96.8 | 105.1 | 110.0 | 113.2 |
| | | none | 3 | 208/240 | CFM | 1060 | 1027 | 994 | 963 | 927 | 894 | 859 | 826 | 793 | 760 |
| | | | | | WATTS | 145.7 | 152.4 | 160.0 | 167.5 | 175.3 | 182.0 | 189.5 | 197.0 | 204.7 | 212.4 |
| | | 3 (max) | 2 | 208/240 | CFM | 819 | 773 | 729 | 635 | 587 | 527 | 481 | 421 | 352 | 284 |
| | | | | | WATTS | 67.9 | 73.2 | 78.4 | 89.0 | 95.3 | 101.8 | 106.8 | 115.1 | 120.0 | 123.2 |
| | | 3 (max) | 3 | 208/240 | CFM | 1090 | 1057 | 1024 | 993 | 957 | 924 | 889 | 856 | 823 | 790 |
| | | | | | WATTS | 155.7 | 162.4 | 170.0 | 177.5 | 185.3 | 192.0 | 199.5 | 207.0 | 214.7 | 222.4 |
| | | none | 2 | 115 | CFM | 737 | 693 | 650 | 602 | 554 | 492 | 450 | 391 | 325 | 239 |
| | | | | | WATTS | 67.4 | 73.5 | 79.4 | 85.5 | 91.9 | 99.4 | 105.2 | 113.6 | 120.0 | 123.7 |
| | | none | 3 | 115 | CFM | 1076 | 1042 | 1010 | 977 | 944 | 911 | 877 | 841 | 805 | 768 |
| | | | | | WATTS | 158.3 | 166.3 | 174.2 | 182.3 | 190.2 | 198.5 | 206.5 | 215.0 | 223.4 | 232.3 |
| | 3.0 Ton | none | 4 | 208/240 | CFM | 790 | 749 | 706 | 661 | 617 | 572 | 511 | 474 | 417 | 357 |
| | | | | | WATTS | 72.3 | 77.9 | 83.5 | 88.9 | 94.7 | 101.1 | 108.3 | 113.0 | 122.0 | 127.4 |
| | | none | 5 | 208/240 | CFM | 1197 | 1171 | 1143 | 1114 | 1086 | 1057 | 1025 | 994 | 964 | 934 |
| | | | | | WATTS | 202.2 | 209.9 | 218.3 | 227.1 | 235.3 | 243.8 | 252.1 | 260.1 | 269.1 | 278.4 |
| | | 3 (max) | 4 | 208/240 | CFM | 820 | 779 | 736 | 691 | 647 | 602 | 541 | 504 | 447 | 387 |
| | | | | | WATTS | 85.3 | 90.9 | 96.5 | 101.9 | 107.7 | 114.1 | 121.3 | 126.0 | 135.0 | 140.4 |
| | | 3 (max) | 5 | 208/240 | CFM | 1227 | 1201 | 1173 | 1144 | 1116 | 1087 | 1055 | 1024 | 994 | 964 |
| | | | | | WATTS | 215.2 | 222.9 | 231.3 | 240.1 | 248.3 | 256.8 | 265.1 | 273.1 | 282.1 | 291.4 |
| | | none | 4 | 115 | CFM | 808 | 767 | 738 | 726 | 684 | 640 | 594 | 532 | 493 | 453 |
| | | | | | WATTS | 81.6 | 88.0 | 92.4 | 94.3 | 100.7 | 107.3 | 114.1 | 122.5 | 128.6 | 135.9 |
| | | none | 5 | 115 | CFM | 1201 | 1172 | 1141 | 1113 | 1083 | 1060 | 1055 | 1026 | 995 | 963 |
| | | | | | WATTS | 216.4 | 224.5 | 233.9 | 242.5 | 251.7 | 258.9 | 260.5 | 269.3 | 278.6 | 288.4 |

[] Designates Metric Conversions

115V/208V/240V Airflow Performance Data – WB2TZ (Constant Torque (ECM) Motor) (Con't.)

| Model | | | Blower Motor | | | External Static Pressure—Inches W.C. [kPa] with filter & indoor coil | | | | | | | | | |
|--------------|------------|------------|----------------------------|---------|-------|----------------------------------------------------------------------|--------------|--------------|--------------|--------------|--------------|--------------|--------------|--------------|--------------|
| Cabinet Size | Tonnage | Heaters | Electric Nominal Speed Tap | Voltage | | 0.1 [.02] | 0.2 [.05] | 0.3 [.07] | 0.4 [.10] | 0.5 [.12] | 0.6 [.15] | 0.7 [.17] | 0.8 [.20] | 0.9 [.23] | 1.0 [.25] |
| -24 | 3.5 Ton | none | 2 | 208/240 | CFM | 901 | 835 | 782 | 731 | 681 | 620 | 565 | 515 | 472 | 420 |
| | | | | | WATTS | 72.1 | 80.6 | 87.7 | 94.3 | 100.7 | 108.1 | 115.2 | 121.2 | 127.0 | 133.4 |
| | | none | 3 | 208/240 | CFM | 1531 | 1494 | 1444 | 1404 | 1370 | 1338 | 1306 | 1275 | 1245 | 1217 |
| | | | | | WATTS | 255.3 | 267.6 | 284.5 | 298.6 | 310.5 | 322.3 | 333.7 | 344.7 | 354.9 | 365.2 |
| | | 3 (max) | 2 | 208/240 | CFM | 926 | 860 | 807 | 756 | 706 | 645 | 590 | 540 | 497 | 445 |
| | | | | | WATTS | 92.1 | 100.6 | 107.7 | 114.3 | 120.7 | 128.1 | 135.2 | 141.2 | 147.0 | 153.4 |
| | 3 (max) | 3 | 208/240 | CFM | 1556 | 1519 | 1469 | 1429 | 1395 | 1363 | 1331 | 1300 | 1270 | 1242 | |
| | | | | WATTS | 275.3 | 287.6 | 304.5 | 318.6 | 330.5 | 342.3 | 353.7 | 364.7 | 374.9 | 385.2 | |
| | none | 2 | 115 | CFM | 896 | 835 | 783 | 733 | 678 | 632 | 579 | 519 | 481 | 438 | |
| | | | | WATTS | 76.3 | 85.7 | 93.6 | 100.9 | 108.7 | 115.6 | 124.1 | 132.7 | 138.9 | 145.7 | |
| | none | 3 | 115 | CFM | 1504 | 1473 | 1433 | 1383 | 1350 | 1317 | 1286 | 1256 | 1227 | 1195 | |
| | | | | WATTS | 260.9 | 271.6 | 286.6 | 305.5 | 317.2 | 329.3 | 341.9 | 352.7 | 363.4 | 373.6 | |
| | 4.0 Ton | none | 4 | 208/240 | CFM | 1105 | 1043 | 998 | 957 | 915 | 875 | 824 | 780 | 737 | 693 |
| | | | | | WATTS | 113.0 | 124.8 | 133.0 | 141.1 | 148.6 | 155.8 | 165.4 | 173.9 | 181.8 | 189.6 |
| | | none | 5 | 208/240 | CFM | 1656 | 1629 | 1589 | 1544 | 1508 | 1482 | 1454 | 1424 | 1394 | 1365 |
| | | | | | WATTS | 322.7 | 334.3 | 350.6 | 369.5 | 384.9 | 397.1 | 409.1 | 421.8 | 435.2 | 447.7 |
| | | 3 (max) | 4 | 208/240 | CFM | 1135 | 1073 | 1028 | 987 | 945 | 905 | 854 | 810 | 767 | 723 |
| | | | | | WATTS | 133.0 | 144.8 | 153.0 | 161.1 | 168.6 | 175.8 | 185.4 | 193.9 | 201.8 | 209.6 |
| 3 (max) | | 5 | 208/240 | CFM | 1686 | 1659 | 1619 | 1574 | 1538 | 1512 | 1484 | 1454 | 1424 | 1395 | |
| | | | | WATTS | 342.7 | 354.3 | 370.6 | 389.5 | 404.9 | 417.1 | 429.1 | 441.8 | 455.2 | 467.7 | |
| none | | 4 | 115 | CFM | 1119 | 1061 | 1016 | 974 | 934 | 884 | 842 | 798 | 756 | 711 | |
| | | | | WATTS | 121.8 | 134.1 | 143.6 | 152.5 | 161.0 | 169.9 | 178.3 | 187.7 | 198.0 | 207.0 | |
| none | | 5 | 115 | CFM | 1655 | 1625 | 1593 | 1544 | 1512 | 1479 | 1451 | 1423 | 1396 | 1369 | |
| | | | | WATTS | 342.7 | 355.7 | 370.3 | 392.6 | 407.4 | 423.0 | 436.1 | 449.5 | 462.4 | 475.5 | |

[] Designates Metric Conversions

115V/208V/240V Airflow Performance Data – WB2TZ (Constant Torque (ECM) Motor) (Con't.)

| Model | | | Blower Motor | | | External Static Pressure—Inches W.C. [kPa] with filter & indoor coil | | | | | | | | | |
|--------------|----------|------------|----------------------------|---------|-------|----------------------------------------------------------------------|--------------|--------------|--------------|--------------|--------------|--------------|--------------|--------------|--------------|
| Cabinet Size | Tonnage | Heaters | Electric Nominal Speed Tap | Voltage | | 0.1 [.02] | 0.2 [.05] | 0.3 [.07] | 0.4 [.10] | 0.5 [.12] | 0.6 [.15] | 0.7 [.17] | 0.8 [.20] | 0.9 [.23] | 1.0 [.25] |
| -24 | 5 Ton | none | 2 | 208/240 | CFM | 1121 | 1062 | 1007 | 950 | 877 | 799 | 693 | 637 | 580 | 514 |
| | | | | | WATTS | 100.7 | 110.1 | 118.7 | 127.9 | 138.8 | 149.5 | 161.4 | 168.3 | 174.8 | 182.2 |
| | | none | 3 | 208/240 | CFM | 1657 | 1618 | 1582 | 1548 | 1516 | 1481 | 1437 | 1398 | 1343 | 1294 |
| | | | | | WATTS | 274.5 | 287.4 | 300.0 | 311.9 | 324.4 | 336.7 | 350.7 | 364.8 | 382.7 | 398.4 |
| | | 3 (max) | 2 | 208/240 | CFM | 1079 | 1020 | 965 | 908 | 835 | 757 | 651 | 595 | 538 | 472 |
| | | | | | WATTS | 121 | 130 | 139 | 148 | 159 | 169 | 181 | 188 | 195 | 202 |
| | | 3 (max) | 3 | 208/240 | CFM | 1615 | 1576 | 1540 | 1506 | 1474 | 1439 | 1395 | 1356 | 1301 | 1252 |
| | | | | | WATTS | 295 | 307 | 320 | 332 | 344 | 357 | 371 | 385 | 403 | 418 |
| | | none | 2 | 115 | CFM | 1111 | 1058 | 1004 | 938 | 874 | 791 | 692 | 626 | 573 | 501 |
| | | | | | WATTS | 104.3 | 113.1 | 122.5 | 134.1 | 144.3 | 157.1 | 168.0 | 176.0 | 183.6 | 191.3 |
| | | none | 3 | 115 | CFM | 1658 | 1620 | 1580 | 1546 | 1514 | 1478 | 1435 | 1393 | 1347 | 1299 |
| | | | | | WATTS | 283.2 | 296.8 | 311.0 | 323.3 | 336.4 | 350.0 | 365.0 | 379.8 | 396.0 | 412.9 |
| | | none | 4 | 208/240 | CFM | 1226 | 1179 | 1131 | 1080 | 1022 | 957 | 884 | 778 | 728 | 674 |
| | | | | | WATTS | 125.6 | 134.5 | 144.2 | 153.9 | 164.7 | 176.4 | 188.1 | 201.9 | 208.9 | 217.7 |
| | | none | 5 | 208/240 | CFM | 2010 | 1977 | 1944 | 1917 | 1887 | 1860 | 1838 | 1809 | 1787 | 1760 |
| | | | | | WATTS | 470.4 | 485.6 | 504.6 | 520.4 | 537.8 | 554.0 | 569.8 | 587.5 | 603.5 | 621.0 |
| | | 3 (max) | 4 | 208/240 | CFM | 1184 | 1137 | 1089 | 1038 | 980 | 915 | 842 | 736 | 686 | 632 |
| | | | | | WATTS | 145.6 | 154.5 | 164.2 | 173.9 | 184.7 | 196.4 | 208.1 | 221.9 | 228.9 | 237.7 |
| 3 (max) | 5 | 208/240 | CFM | 1968 | 1935 | 1902 | 1875 | 1845 | 1818 | 1796 | 1767 | 1745 | 1718 | | |
| | | | WATTS | 490.4 | 505.6 | 524.6 | 540.4 | 557.8 | 574.0 | 589.8 | 607.5 | 623.5 | 641.0 | | |
| none | 4 | 115 | CFM | 1213 | 1161 | 1110 | 1060 | 998 | 938 | 848 | 757 | 697 | 653 | | |
| | | | WATTS | 126.0 | 136.1 | 146.3 | 156.3 | 168.3 | 179.3 | 194.2 | 206.3 | 215.6 | 222.8 | | |
| none | 5 | 115 | CFM | 2014 | 1985 | 1953 | 1920 | 1887 | 1856 | 1829 | 1801 | 1774 | 1739 | | |
| | | | WATTS | 489.5 | 505.8 | 524.3 | 542.5 | 560.6 | 578.9 | 594.6 | 611.9 | 629.1 | 649.3 | | |

[] Designates Metric Conversions

Electrical Data – Blower Motor Only Without Electric Heat

| Model Size/Elec. Designation | Voltage | Phase | Hertz | HP [W] | RPM | Speeds | Motor Amps. | Minimum Circuit Ampacity | Maximum Circuit Protector |
|------------------------------|---------|-------|-------|-----------|----------|--------|-------------|--------------------------|---------------------------|
| (-)B2TZ2417STANMAN00 | 115 | 1 | 60 | 1/3 [249] | 300-1100 | 5 | 3.3 | 5.0 | 15 |
| (-)B2TZ3621STANMAN00 | 115 | 1 | 60 | 1/2 [373] | 300-1100 | 5 | 5.0 | 7.0 | 15 |
| (-)B2TZ4824STANMAN00 | 115 | 1 | 60 | 3/4 [559] | 300-1100 | 5 | 6.4 | 8.0 | 15 |
| (-)B2TZ6024STANMAN00 | 115 | 1 | 60 | 3/4 [559] | 300-1100 | 5 | 8.5 | 11.0 | 15 |

| Model Size/Elec. Designation | Voltage | Phase | Hertz | HP [W] | RPM | Speeds | Motor Amps. | Minimum Circuit Ampacity | Maximum Circuit Protector |
|------------------------------|---------|-------|-------|-----------|----------|--------|-------------|--------------------------|---------------------------|
| (-)B2TZ2417STANMJ*** | 208-230 | 1 | 60 | 1/3 [249] | 300-1100 | 5 | 1.8 | 2.3 | 15 |
| (-)B2TZ3621STANMJ*** | 208-230 | 1 | 60 | 1/2 [373] | 300-1100 | 5 | 2.4 | 3.0 | 15 |
| (-)B2TZ4824STANMJ*** | 208-230 | 1 | 60 | 3/4 [559] | 300-1100 | 5 | 3.8 | 4.8 | 15 |
| (-)B2TZ6024STANMJ*** | 208-230 | 1 | 60 | 3/4 [559] | 300-1100 | 5 | 5.0 | 6.3 | 15 |

Electrical Data – With Electric Heat

| Model Size/Elec. Designation | Heater KW-Volts 208/240 | Voltage | Phase | Hertz | HP [W] | RPM | Speeds | Heater Amps. | Motor Amps. | Minimum Circuit Ampacity | Maximum Circuit Protector |
|------------------------------|-------------------------|---------|-------|-------|-----------|----------|--------|--------------|-------------|--------------------------|---------------------------|
| WB2TZ2417STANMJB05 | 3.7/4.9 | 208-230 | 1 | 60 | 1/3 [249] | 300-1100 | 5 | 19.8/22.4 | 1.8 | 27/31 | 30/40 |
| WB2TZ2417STANMJB07 | 5.3/7.0 | 208-230 | 1 | 60 | 1/3 [249] | 300-1100 | 5 | 27.5/31.2 | 1.8 | 37/42 | 40/50 |
| WB2TZ3621STANMJB05 | 3.7/4.9 | 208-230 | 1 | 60 | 1/2 [373] | 300-1100 | 5 | 20.9/23.5 | 2.4 | 26/29 | 30/30 |
| WB2TZ3621STANMJB07 | 5.3/7.0 | 208-230 | 1 | 60 | 1/2 [373] | 300-1100 | 5 | 28.6/32.3 | 2.4 | 39/44 | 40/50 |
| WB2TZ3621STANMJB10 | 7.5/10.0 | 208-230 | 1 | 60 | 1/2 [373] | 300-1100 | 5 | 39.2/44.8 | 2.4 | 52/59 | 60/60 |
| WB2TZ4824STANMJB05 | 3.7/4.9 | 208-230 | 1 | 60 | 3/4 [559] | 300-1100 | 5 | 22.0/24.6 | 3.8 | 33/36 | 40/40 |
| WB2TZ4824STANMJB07 | 5.3/7.0 | 208-230 | 1 | 60 | 3/4 [559] | 300-1100 | 5 | 29.7/33.4 | 3.8 | 42/47 | 50/50 |
| WB2TZ4824STANMJB10 | 7.5/10.0 | 208-230 | 1 | 60 | 3/4 [559] | 300-1100 | 5 | 40.3/45.9 | 3.8 | 56/63 | 60/70 |
| WB1TZ6024STANMJB10 | 7.5/10.0 | 208-230 | 1 | 60 | 3/4 [559] | 300-1100 | 5 | 41.8/47.4 | 5 | 59/66 | 60/70 |

[] Designates Metric Conversions

Electrical Wiring

Power Wiring

- Field wiring must comply with the National Electrical Code (C.E.C. in Canada) and any applicable local ordinance.
- Supply wiring must be 75°C minimum copper conductors only.
- See electrical data for product Ampacity rating and Circuit Protector requirement.

Grounding

- This product must be sufficiently grounded in accordance with National Electrical Code (C.E.C. in Canada) and any applicable local ordinance.
- A grounding lug is provided.

ACCESSORIES

- **External Auxiliary Horizontal Drain Pan. RXBM-AA06**— Fits all models.

- **Replacement Filters**

| <u>Model Cabinet Size</u> | <u>Filter Size In. [mm]</u> | <u>Part Number</u> |
|---------------------------|-----------------------------|--------------------|
| 17 | 16.25 x 21 [413 x 533] | 54-23217-02 |
| 21 | 19.75 x 21 [502 x 533] | 54-23217-03 |
| 24 | 23.25 x 21 [591 x 533] | 54-23217-04 |
| 25 | 23.25 x 21 [591 x 533] | 54-23217-04 |

[] Designates Metric Conversions



GENERAL TERMS OF LIMITED WARRANTY*

Ruud will furnish a replacement for any part of this product which fails in normal use and service within the applicable periods stated, in accordance with the terms of the limited warranty.

Parts Five (5) Years

***For complete details of the Limited and Conditional Warranties, including applicable terms and conditions, contact your local contractor or the Manufacturer for a copy of the product warranty certificate.**

Before proceeding with installation, refer to installation instructions packaged with each model, as well as complying with all Federal, State, Provincial, and Local codes, regulations, and practices.

© 2023 Rheem Manufacturing Company. Ruud trademarks owned by Rheem Manufacturing Company.

In keeping with its policy of continuous progress and product improvement, Ruud reserves the right to make changes without notice.

5600 Old Greenwood Road
Fort Smith, Arkansas 72908 • www.ruud.com

125 Edgeware Road, Unit 1
Brampton, Ontario • L6Y 0P5 • ruud-canada.ca