



## Vantix™ Line Cased Coils For Gas and Oil Furnaces



### **TCFY**

Refrigerant Type: R-454B

Airflow Capacity: 600-1,900 CFM [283-897 L/s]

## Table of Contents

Features & Benefits .....	3
Model Number Identification .....	4
Coil Specifications.....	5-6
Coil Dimensions and Weights .....	7
Accessories .....	8-9
Limited Warranty.....	12

## Features & Benefits

- Russell® By Rheem Indoor Furnace cased coils are designed for use with Russell® By Rheem outdoor units and are available for vertical upflow or downflow, and horizontal left or horizontal right airflow. When matched with Russell® By Rheem outdoor units, the coils provide a nominal capacity range from 18,000 BTU/HR [5.24 kW] to 60,000 BTU/HR [17.6 kW]
- Constructed of aluminum fins bonded to internally grooved aluminum tubing
- Coils are tested at the factory with an extensive refrigerant leak check
- Coils have copper sweat refrigerant connections
- Feature two sets of 3/4" [19.1 mm] N.P.T. Condensate drain connections for ease of connection
- Chatleff metering device connections, at inlet and outlet of TXV or EXV and equalizer connections (TXV only)
- Approved for system application with variety of Russell® By Rheem outdoor units
- Condensate drain pan is constructed of high grade, heat resistant, corrosion free thermal-set material
- Compatible with Germicidal Light System (UV resistant)
- Bi-Directional airflow eliminates the need to switch any internal components from horizontal left to right
- Unique drain pan design maximizes application flexibility and condensate removal
- N-Coil design maximizes performance and minimizes height required at installation
- Coils are AHRI certified for system application with a variety of Russell® By Rheem outdoor units
- Designing for Sustainability with Low GWP: For 2025, the Environmental Protection Agency (EPA) has set a global warming potential (GWP) limit of 700 for refrigerant used in heating and cooling systems. This new requirement will result in a 78%<sup>1</sup> lower GWP than previous-generation refrigerants — with only minimal changes to system installation. For us, this is another step toward our continued sustainability goal of reducing greenhouse gas emissions, while still delivering an exceptional level of energy efficient, dependable comfort
- Refrigerant Detection System™<sup>2</sup>: An integrated one-box, patented design featuring the A2L sensor and mitigation board, offering easier commissioning with a single component and simplified wiring configuration, compatibility with any 24V thermostat application and system protection by automatically pausing outdoor unit operation — if excess refrigerant is detected

[ ] Designates Metric Conversions

<sup>1</sup>When comparing the GWP of A2L refrigerants to A1 or R-410A refrigerant

<sup>2</sup>Factory or field installed in the furnace coil or air handler and is applicable to the complete heating and cooling system featuring Low GWP Refrigerant (A2L)

# Coils

<u>T</u>	<u>C</u>	<u>F</u>	<u>Y</u>	<u>24</u>	<u>14</u>	<u>S</u>	<u>T</u>	<u>A</u>	<u>A</u>	<u>M</u>	<u>C</u>	<u>L</u>
Brand	Product Category	Type	Refrigerant	Capacity	Width	Efficiency	Metering Device	Major Series	Coil Series	Orientation	Casing	Option Code
T - Russell® By Rheem	C - Coil	F - Furnace Coil	Y - R-454B	24 - 24,000 BTU/H 36 - 36,000 BTU/H 42 - 42,000 BTU/H 48 - 48,000 BTU/H 60 - 60,000 BTU/H	14 - 14" 17 - 17.5" 21 - 21" 24 - 24.5"	S - Standard M - Medium H - High	T - TXV E - EXV	A - First B - 2nd	A - A-Coil N - N-Coil	M - Multipoise V - Vertical only/ Convertible	C - Cased	L - Less A2L Sensor BLANK - Factory- Installed Sensor

## TXV Models

TCFY2414STAAMC	TCFY2414STAAMCL
TCFY2417MTANMC	TCFY2417MTANMCL
TCFY2417STANMC	TCFY2417STANMCL
TCFY2421HTANMC	TCFY2421HTANMCL
TCFY2421MTANMC	TCFY2421MTANMCL
TCFY3617STANMC	TCFY3617STANMCL
TCFY3617STBAMC	TCFY3617STBAMCL
TCFY3621HTAAMC	TCFY3621HTAAMCL
TCFY3621MTAAMC	TCFY3621MTAAMCL
TCFY3621MTANMC	TCFY3621MTANMCL
TCFY3621STANMC	TCFY3621STANMCL
TCFY3624MTANMC	TCFY3624MTANMCL
TCFY4221HTAAMC	TCFY4221HTAAMCL
TCFY4221STAAMC	TCFY4221STAAMCL
TCFY4821HTAAMC	TCFY4821HTAAMCL
TCFY4821STAAMC	TCFY4821STAAMCL
TCFY4821STANMC	TCFY4821STANMCL
TCFY4824MTANMC	TCFY4824MTANMCL
TCFY4824STANMC	TCFY4824STANMCL
TCFY6021STAAMC	TCFY6021STAAMCL
TCFY6024HTANMC	TCFY6024HTANMCL
TCFY6024STANMC	TCFY6024STANMCL

## EXV Models

TCFY2417SEANMC	TCFY2417SEANMCL
TCFY2421HEAAMC	TCFY2421HEAAMCL
TCFY2421HEANMC	TCFY2421HEANMCL
TCFY2421MEANMC	TCFY2421MEANMCL
TCFY3621MEAAMC	TCFY3621MEAAMCL
TCFY3621MEANMC	TCFY3621MEANMCL
TCFY4821SEAAMC	TCFY4821SEAAMCL
TCFY6021SEAAMC	TCFY6021SEAAMCL
TCFY6024SEANMC	TCFY6024SEANMCL

## Coil Specifications/Airflow Pressure Drop

Coil Model (-)CFY	Approx. Design Cooling Airflow Range CFM [L/s]	Face Area Sq. Ft. [m2]	Fins Per Inch/ Rows Deep	Width	Nominal Capacity		Wet Coil Static Pressure Drop (Inches W.C.) [kPa] @ CFM [L/s] – (Coil Only)													
							600 [283]	700 [330]	800 [378]	900 [425]	1000 [472]	1100 [519]	1200 [566]	1300 [614]	1400 [661]	1500 [708]	1600 [755]	1700 [802]	1800 [850]	1900 [897]
(-)CFY2414S*	525/900 [248/425]	4.56 [0.42]	16/2	14	1.5	-2	0.171 [42]	0.221 [55]	0.278 [69]	0.342 [85]	0.412 [103]	—	—	—	—	—	—	—	—	
(-)CFY2417S	525/900 [248/425]	4.56 [0.42]	16/2	17			0.115 [29]	0.150 [37]	0.189 [47]	0.232 [58]	0.279 [69]	—	—	—	—	—	—	—	—	—
(-)CFY2417M	525/900 [248/425]	5.70 [0.52]	16/2		2.5	-3	0.112 [28]	0.144 [36]	0.180 [45]	0.220 [55]	0.264 [66]	0.312 [78]	0.364 [91]	0.420 [105]	—	—	—	—	—	—
(-)CFY3617S	800/1200 [378/566]	5.70 [0.52]	16/2	0.112 [28]			0.144 [36]	0.180 [45]	0.220 [55]	0.264 [66]	0.312 [78]	0.364 [91]	0.420 [105]	0.480 [119]	—	—	—	—	—	—
(-)CFY2421M	525/900 [248/425]	5.70 [0.52]	16/2	1.5	-2	0.112 [28]	0.144 [36]	0.180 [45]	0.220 [55]	0.264 [66]	0.312 [78]	0.364 [91]	0.420 [105]	—	—	—	—	—	—	
(-)CFY2421H	525/900 [248/425]	8.55 [0.79]	16/2			0.062 [15]	0.086 [21]	0.112 [28]	0.140 [35]	0.170 [42]	0.202 [50]	0.236 [59]	0.272 [68]	0.309 [77]	0.349 [87]	0.391 [97]	0.434 [108]	—	—	—
(-)CFY2421H*	525/900 [248/425]	7.60 [0.70]	13/3	2.5	-3	0.043 [11]	0.060 [15]	0.081 [20]	0.105 [26]	0.130 [32]	0.157 [39]	0.186 [46]	0.217 [54]	0.250 [62]	0.285 [71]	0.322 [80]	0.361 [90]	0.402 [100]	0.444 [111]	
(-)CFY3621S	800/1200 [378/566]	5.70 [0.52]	16/2			0.112 [28]	0.144 [36]	0.180 [45]	0.220 [55]	0.264 [66]	0.312 [78]	0.364 [91]	0.420 [105]	0.480 [119]	—	—	—	—	—	—
(-)CFY3621M	800/1300 [378/614]	8.55 [0.79]	16/2	3.5	-4	0.062 [15]	0.086 [21]	0.112 [28]	0.140 [35]	0.170 [42]	0.202 [50]	0.236 [59]	0.272 [68]	0.309 [77]	0.349 [87]	0.391 [97]	0.434 [108]	0.480 [119]	—	
(-)CFY3621M*	800/1300 [378/614]	7.60 [0.70]	13/3			0.043 [11]	0.060 [15]	0.081 [20]	0.105 [26]	0.130 [32]	0.157 [39]	0.186 [46]	0.217 [54]	0.250 [62]	0.285 [71]	0.322 [80]	0.361 [90]	0.402 [100]	0.444 [111]	—
(-)CFY4821S	1200/1600 [566/755]	8.55 [0.79]	16/2	5	-4	0.062 [15]	0.086 [21]	0.112 [28]	0.140 [35]	0.170 [42]	0.202 [50]	0.236 [59]	0.272 [68]	0.309 [77]	0.349 [87]	0.391 [97]	0.434 [108]	0.480 [119]	—	
(-)CFY4821S*	1200/1600 [566/755]	7.60 [0.70]	13/3			0.043 [11]	0.060 [15]	0.081 [20]	0.105 [26]	0.130 [32]	0.157 [39]	0.186 [46]	0.217 [54]	0.250 [62]	0.285 [71]	0.322 [80]	0.361 [90]	0.402 [100]	0.444 [111]	—
(-)CFY6021ST*	1400/1800 [661/850]	7.60 [0.70]	13/3	3 - 5	5	0.000 [0]	0.007 [2]	0.035 [9]	0.063 [16]	0.091 [23]	0.119 [30]	0.147 [37]	0.175 [44]	0.203 [50]	0.231 [57]	0.259 [64]	0.287 [71]	0.315 [78]	0.343 [85]	
(-)CFY6021SE*	1400/1600 [661/755]	7.60 [0.70]	13/3			0.043 [11]	0.060 [15]	0.081 [20]	0.105 [26]	0.130 [32]	0.157 [39]	0.186 [46]	0.217 [54]	0.250 [62]	0.285 [71]	0.322 [80]	0.361 [90]	0.402 [100]	0.444 [111]	—
(-)CFY3624M	800/1300 [378/614]	8.55 [0.79]	16/2	2.5	-3	0.062 [15]	0.086 [21]	0.112 [28]	0.140 [35]	0.170 [42]	0.202 [50]	0.236 [59]	0.272 [68]	0.309 [77]	—	—	—	—	—	
(-)CFY4824S	1200/1600 [566/755]	8.55 [0.79]	16/2			0.062 [15]	0.086 [21]	0.112 [28]	0.140 [35]	0.170 [42]	0.202 [50]	0.236 [59]	0.272 [68]	0.309 [77]	0.349 [87]	0.391 [97]	0.434 [108]	0.480 [119]	—	
(-)CFY4824M	1200/1600 [566/755]	9.98 [0.93]	13/3	3.5	-4	0.032 [8]	0.049 [12]	0.069 [17]	0.091 [23]	0.114 [28]	0.140 [35]	0.167 [42]	0.197 [49]	0.228 [57]	0.262 [65]	0.297 [74]	0.334 [83]	0.374 [93]	—	
(-)CFY6024S	1400/1600 [661/755]	9.98 [0.93]	13/3			0.032 [8]	0.049 [12]	0.069 [17]	0.091 [23]	0.114 [28]	0.140 [35]	0.167 [42]	0.197 [49]	0.228 [57]	0.262 [65]	0.297 [74]	0.334 [83]	0.374 [93]	0.415 [103]	—
(-)CFY3621H*	800/1300 [378/614]	7.60 [0.70]	13/3	21	3	3.5	0.043 [11]	0.060 [15]	0.081 [20]	0.105 [26]	0.130 [32]	0.157 [39]	0.186 [46]	0.217 [54]	0.250 [62]	0.285 [71]	0.322 [80]	0.361 [90]	0.402 [100]	0.444 [111]
(-)CFY4221S*																				
(-)CFY4221H*																				
(-)CFY4821H*	1200/1600 [566/755]	7.60 [0.70]	13/3	21	3.5	4	0.043 [11]	0.060 [15]	0.081 [20]	0.105 [26]	0.130 [32]	0.157 [39]	0.186 [46]	0.217 [54]	0.250 [62]	0.285 [71]	0.322 [80]	0.361 [90]	0.402 [100]	—

[ ] Designates Metric Conversions

## Coil Specifications/Airflow Pressure Drop (Con't.)

Coil Model (-)CFY	Approx. Design Cooling Airflow Range CFM [L/s]	Face Area Sq. Ft. [m2]	Fins Per Inch/ Rows Deep	Width	Nominal Capacity		Dry Coil Static Pressure Drop (Inches W.C.) [kPa] @ CFM [L/s] – (Coil Only)															
							600 [283]	700 [330]	800 [378]	900 [425]	1000 [472]	1100 [519]	1200 [566]	1300 [614]	1400 [661]	1500 [708]	1600 [755]	1700 [802]	1800 [850]	1900 [897]		
(-)CFY2414S*	600/1200 [283/566]	4.56 [0.42]	16/2	14			0.121 [30]	0.160 [40]	0.205 [51]	0.256 [64]	0.312 [78]	0.373 [93]	0.441 [110]	0.514 [128]	—	—	—	—	—	—		
(-)CFY2417S	600/1200 [283/566]	4.56 [0.42]	16/2	17	1.5	-2	0.097 [24]	0.128 [32]	0.163 [41]	0.202 [50]	0.245 [61]	0.292 [73]	0.343 [85]	0.398 [99]	—	—	—	—	—	—		
(-)CFY2417M	600/1200 [283/566]	5.70 [0.52]	17/16/2				0.107 [27]	0.137 [34]	0.171 [42]	0.209 [52]	0.251 [62]	—	—	—	—	—	—	—	—	—	—	—
(-)CFY3617S	600/1300 [283/614]	5.70 [0.52]	16/2	21	2.5	-3	0.107 [27]	0.137 [34]	0.171 [42]	0.209 [52]	0.251 [62]	0.297 [74]	0.347 [86]	0.401 [100]	—	—	—	—	—	—		
(-)CFY2421M	600/1200 [283/566]	5.70 [0.52]	16/2				1.5	-2	0.107 [27]	0.137 [34]	0.171 [42]	0.209 [52]	0.251 [62]	—	—	—	—	—	—	—	—	—
(-)CFY2421H	600/1200 [283/566]	8.55 [0.79]	16/2		0.039 [10]	0.056 [14]			0.075 [19]	0.095 [24]	0.117 [29]	—	—	—	—	—	—	—	—	—	—	—
(-)CFY2421H*	600/1600 [283/755]	7.60 [0.70]	13/3		0.041 [10]	0.053 [13]			0.066 [16]	0.080 [20]	0.096 [24]	0.115 [29]	0.135 [34]	0.158 [39]	0.182 [45]	—	—	—	—	—	—	—
(-)CFY3621S	600/1400 [283/661]	5.70 [0.52]	16/2		2.5	-3	0.107 [27]	0.137 [34]	0.171 [42]	0.209 [52]	0.251 [62]	0.297 [74]	0.347 [86]	0.401 [100]	—	—	—	—	—	—	—	
(-)CFY3621M	600/1900 [283/897]	8.55 [0.79]	16/2				0.039 [10]	0.056 [14]	0.075 [19]	0.095 [24]	0.117 [29]	0.141 [35]	0.166 [41]	0.193 [48]	0.222 [55]	0.252 [63]	0.284 [71]	0.318 [79]	0.353 [88]	0.391 [97]	—	—
(-)CFY3621M*	600/1900 [283/897]	7.60 [0.70]	13/3				0.041 [10]	0.053 [13]	0.066 [16]	0.080 [20]	0.096 [24]	0.115 [29]	0.135 [34]	0.158 [39]	0.182 [45]	—	—	—	—	—	—	—
(-)CFY4821S	600/1900 [283/897]	8.55 [0.79]	16/2		3.5	-4	0.039 [10]	0.056 [14]	0.075 [19]	0.095 [24]	0.117 [29]	0.141 [35]	0.166 [41]	0.193 [48]	0.222 [55]	0.252 [63]	0.284 [71]	0.318 [79]	0.353 [88]	0.391 [97]	—	
(-)CFY4821S*	600/1900 [283/897]	7.60 [0.70]	13/3				0.041 [10]	0.053 [13]	0.066 [16]	0.080 [20]	0.096 [24]	0.115 [29]	0.135 [34]	0.158 [39]	0.182 [45]	0.208 [52]	0.237 [59]	0.267 [66]	0.299 [75]	0.334 [83]	—	—
(-)CFY6021ST*	600/1900 [283/897]	7.60 [0.70]	13/3		5	-5	0.000 [0]	0.000 [0]	0.016 [4]	0.040 [10]	0.065 [16]	0.089 [22]	0.113 [28]	0.137 [34]	0.162 [40]	0.186 [46]	0.210 [52]	0.234 [58]	0.259 [64]	0.283 [70]	—	
(-)CFY6021SE*	600/1900 [283/897]	7.60 [0.70]	-13/3				0.041 [10]	0.053 [13]	0.066 [16]	0.080 [20]	0.096 [24]	0.115 [29]	0.135 [34]	0.158 [39]	0.182 [45]	0.208 [52]	0.237 [59]	0.267 [66]	0.299 [75]	0.334 [83]	—	—
(-)CFY3624M	600/1900 [283/897]	8.55 [0.79]	16/2		24	2.5	-3	0.039 [10]	0.056 [14]	0.075 [19]	0.095 [24]	0.117 [29]	0.141 [35]	0.166 [41]	0.193 [48]	0.222 [55]	0.252 [63]	0.284 [71]	0.318 [79]	0.353 [88]	0.391 [97]	
(-)CFY4824S	600/1900 [283/897]	8.55 [0.79]	16/2	3.5				-4	0.039 [10]	0.056 [14]	0.075 [19]	0.095 [24]	0.117 [29]	0.141 [35]	0.166 [41]	0.193 [48]	0.222 [55]	0.252 [63]	0.284 [71]	0.318 [79]	0.353 [88]	0.391 [97]
(-)CFY4824M	600/1900 [283/897]	9.98 [0.93]	13/3			0.023 [6]	0.038 [10]		0.055 [14]	0.074 [18]	0.095 [24]	0.119 [29]	0.144 [36]	0.171 [42]	0.200 [50]	0.231 [58]	0.264 [66]	0.300 [75]	0.337 [84]	0.376 [94]	—	—
(-)CFY6024S (-)CFY6024H	600/1900 [283/897]	9.98 [0.93]	13/3	5		0.023 [6]	0.038 [10]	0.055 [14]	0.074 [18]	0.095 [24]	0.119 [29]	0.144 [36]	0.171 [42]	0.200 [50]	0.231 [58]	0.264 [66]	0.300 [75]	0.337 [84]	0.376 [94]	—		
(-)CFY3621H* (-)CFY4221S* (-)CFY4221H*	600/1900 [283/897]	7.60 [0.70]	13/3	21	3	3.5	0.041 [10]	0.053 [13]	0.066 [16]	0.080 [20]	0.096 [24]	0.115 [29]	0.135 [34]	0.158 [39]	0.182 [45]	—	—	—	—	—		
(-)CFY4821H*	600/1900 [283/897]	7.60 [0.70]	13/3	21	3.5	4	0.041 [10]	0.053 [13]	0.066 [16]	0.080 [20]	0.096 [24]	0.115 [29]	0.135 [34]	0.158 [39]	0.182 [45]	0.208 [52]	0.237 [59]	0.267 [66]	0.299 [75]	0.334 [83]		

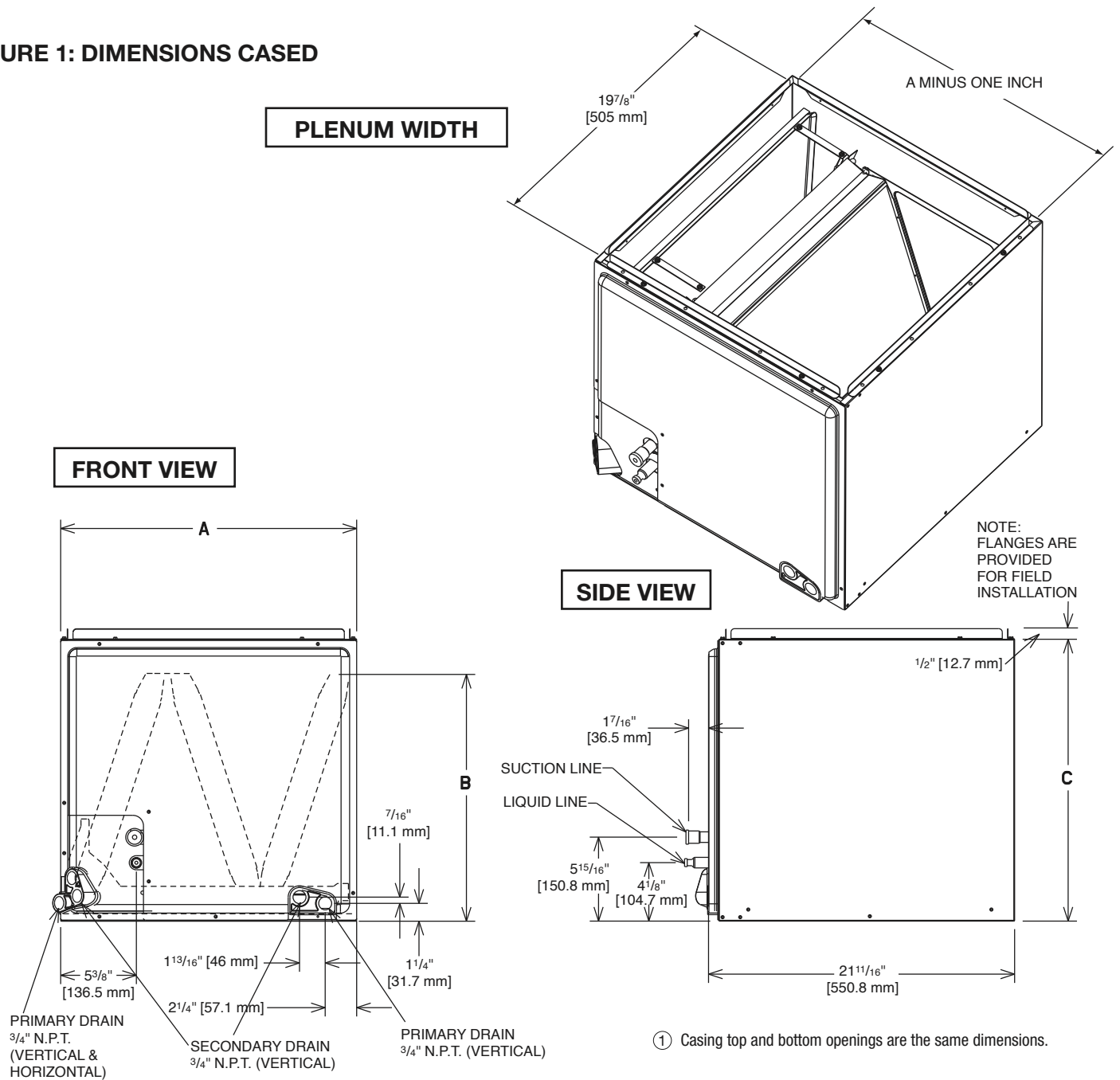
[ ] Designates Metric Conversions

## Cased Coil Dimensions and Weights

Coil Model (-)CFY	Connections I.D.		Cased Coil Dimensions (in) [mm]			Weight	
	Sweat (in.) [mm]		A	B	C	Coil Weight (lbs.) [Kg.]	Shipping Weight (lbs.) [Kg.]
	Liquid	Suction					
2414S*	3/8 [9.53]	3/4 [19.05]	14 [356]	20 <sup>1</sup> / <sub>16</sub> [535]	23 <sup>3</sup> / <sub>16</sub> [584]	45 [20]	49 [22]
2417S	3/8 [9.53]	3/4 [19.05]	17 <sup>1</sup> / <sub>2</sub> [445]	14 <sup>1</sup> / <sub>2</sub> [368]	20 [508]	43 [19]	48 [21]
2417M/3617S	3/8 [9.53]	3/4 [19.05]	17 <sup>1</sup> / <sub>2</sub> [445]	17 [454]	20 [508]	49 [22]	54 [24]
2421M/3621S	3/8 [9.53]	3/4 [19.05]	21 [533]	17 <sup>1</sup> / <sub>2</sub> [445]	20 [508]	51 [23]	57 [25]
2421H/3621M/4821S/2421H	3/8 [9.53]	7/8 [22.23]	21 [533]	25 [657]	28 [711]	71 [32]	78 [35]
3624M/4824S	3/8 [9.53]	7/8 [22.23]	24 <sup>1</sup> / <sub>2</sub> [622]	25 [645]	32 [812]	83 [38]	93 [42]
4824M/6024S/6024H	3/8 [9.53]	7/8 [22.23]	24 <sup>1</sup> / <sub>2</sub> [622]	30 <sup>1</sup> / <sub>4</sub> [768]	32 [812]	100 [45]	110 [50]
2421H*/3621M*/4821S*/6021S*/4221S*/4221H*/4821H*	3/8 [9.53]	7/8 [22.23]	21 [533]	33 [838]	34 <sup>1</sup> / <sub>2</sub> [876]	76 [34]	86 [37]

\* = "A" Coil

FIGURE 1: DIMENSIONS CASED



[ ] Designates Metric Conversions

## Coil Application

Coils can be matched to heating products as listed in table below.

Coil Model (-)CFY	Furnace Width (In.) (mm)	
	Oil*	Gas
2414S 2417S/2417M/2517S 3617S/3717S	—	14 [356]
2417S/2417M/2517S 3617S/3717S	17 [431]	17½ [444]
		14 [356]
2421M 2421H/3621S/3621M / 4821S/4921S/6021S	21 [533]	21 [533]
		17½ [444]
3624M 4824S/4824M/6024S 6024H/6124S	24½ [622]	24½ [622]
		21 [533]

\*Due to the proximity of the drain pan to the high temperature oil furnace drum, horizontal left application is NOT permitted on all oil furnaces.

## Accessories

### • PLENUM ADAPTER ACCESSORY RXBA-AE

This plenum adapter accessory is for use with the 24½" wide cased indoor cooling and heat pump coils. This allows a 24½" wide cased coil to be installed on a 28" wide oil furnace. This is a field-installed accessory only.

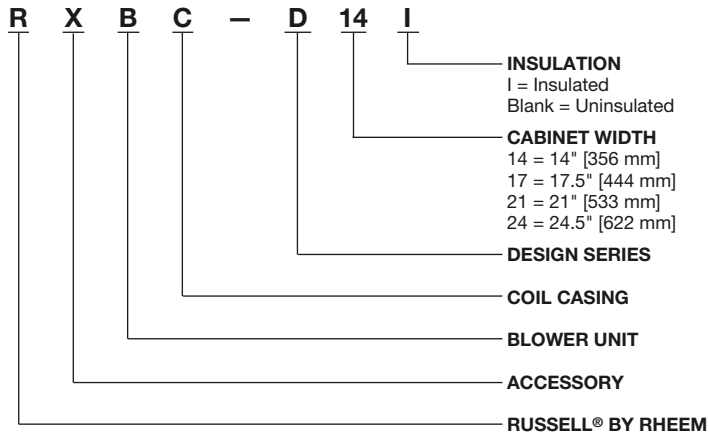
### • RXBA-AC (Upflow/Horizontal)

These plenum adapter accessories are for use when a cooling coil is matched with a gas furnace of one smaller size.

### • HORIZONTAL ADAPTER KIT RXHH (See Figure 2)

This horizontal adapter kit is used to convert a upflow or downflow coil (\*VUA) for a horizontal application. See Table 4 to order the proper horizontal adapter kit.

### • INDOOR COIL CASING- RXBC (See Table 5)



[ ] Designates Metric Conversions

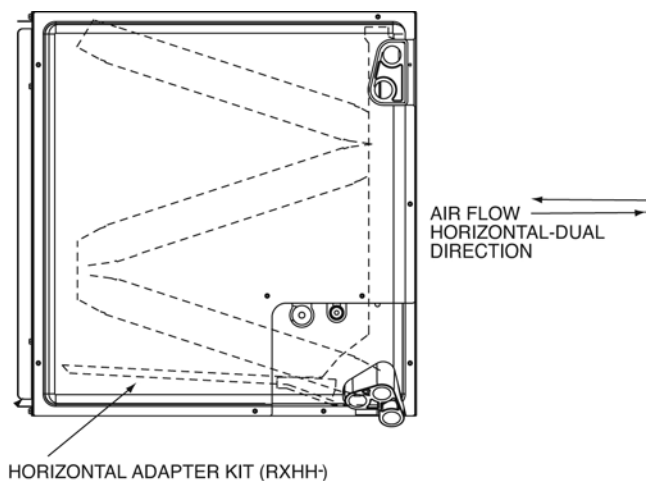
## Horizontal Adapter Kit

Coil Model	Horizontal Adapter Kit Model No.
(-)CFY2414STAAVU	RXHH-A01
(-)CFY2417STANVU	RXHH-A02
(-)CFY2417SEANVU	RXHH-A02
(-)CFY2517STANVU	RXHH-A02
(-)CFY2417MTANVU	RXHH-A03
(-)CFY2421MTANVU	RXHH-A03
(-)CFY2421MEANVU	RXHH-A03
(-)CFY2421HEANVU	RXHH-A04
(-)CFY2421HEAAVU	RXHH-A06
(-)CFY3617STANVU	RXHH-A03
(-)CFY3717STANVU	RXHH-A03
(-)CFY3621STANVU	RXHH-A03
(-)CFY3621SEANVU	RXHH-A03
(-)CFY3621MTANVU	RXHH-A04
(-)CFY3621MEANVU	RXHH-A04
(-)CFY3621MTAAVU	RXHH-A06
(-)CFY3621MEAAVU	RXHH-A06
(-)CFY3624MTANVU	RXHH-A04
(-)CFY4821STANVU	RXHH-A04
(-)CFY4921STANVU	RXHH-A04
(-)CFY4821STAAVU	RXHH-A06
(-)CFY4821SEAAVU	RXHH-A06
(-)CFY4821SEANVU	RXHH-A04
(-)CFY4824STANVU	RXHH-A04
(-)CFY4824MTANVU	RXHH-A05
(-)CFY4824SEANVU	RXHH-A04
(-)CFY6021STAAVU	RXHH-A06
(-)CFY6021SEAAVU	RXHH-A06
(-)CFY6024STANVU	RXHH-A05
(-)CFY6024SEANVU	RXHH-A05
(-)CFY6124STANVU	RXHH-A05



## Accessories (Con't.)

FIGURE 2: HORIZONTAL ADAPTER KIT ILLUSTRATION



## Unit Dimensions and Weights

### RXBC Indoor Coil Casings

Model Number	Width (in.) [mm]	Height (in.) [mm]	Depth (in.) [mm]	Unit Weight		Supply Air/Return Air Openings	
				Weight (lbs.) [Kg.]	Ship. Wt. (lbs.) [Kg.]	Width (in.) [mm]	Depth (in.) [mm]
RXBC-D14AI	14 [356]	23 <sup>3/16</sup> [589]	21 <sup>5/8</sup> [549]	19 [9]	23 [10]	13 [330]	19 <sup>31/32</sup> [508]
RXBC-D17AI	17 <sup>1/2</sup> [445]	20 [508]		18 [8]	23 [10]	16 <sup>1/2</sup> [419]	
RXBC-D21AI	21 [533]	20 [508]		20 [9]	26 [12]	20 [508]	
RXBC-D21BI	21 [533]	28 [711]		27 [12]	36 [17]	20 [508]	
RXBC-D24AI	24 <sup>1/2</sup> [622]	32 <sup>1/2</sup> [826]		34 [16]	44 [20]	23 <sup>1/2</sup> [597]	

[ ] Designates Metric Conversions







**GENERAL TERMS OF LIMITED WARRANTY\***

Russell® By Rheem will furnish a replacement for any part of this product which fails in normal use and service within the applicable period stated, in accordance with the terms of the limited warranty.

**\*For complete details of the Limited and Conditional Warranties, including applicable terms and conditions, contact your local contractor or the Manufacturer for a copy of the product warranty certificate.**

Conditional Parts  
(Registration Required)..... Ten (10) Years

**Before proceeding with installation, refer to installation instructions packaged with each model, as well as complying with all Federal, State, Provincial, and Local codes, regulations, and practices.**

© 2024 Rheem Manufacturing Company. Russell By Rheem trademarks owned by Rheem Manufacturing Company.  
*In keeping with its policy of continuous progress and product improvement, Russell by Rheem reserves the right to make changes without notice.*

5600 Old Greenwood Road  
Fort Smith, Arkansas 72908 • [www.russellbyrheem.com](http://www.russellbyrheem.com)