



Vantix™ Line Air Handlers



SH3VZ

Motor: Constant CFM

Airflow Stages: 3-Stage

Efficiencies: 13.4 to 16.0 SEER2

Expansion Device: Thermal Expansion Valve (TXV)



Table of Contents

Features and Benefits	3
Model Number Identification	4
Dimensional Data	5-6
Unit Dimensions & Weights	7
Airflow Directional Data	8
Airflow Performance Data	9
Electrical Data	10-12
Limited Warranty	13

Features and Benefits

- **Constant CFM Motor:** When paired with the EcoNet® Smart Thermostat, the motor gradually auto-adjusts from low capacity to 100% of capacity to meet comfort requirements – allowing for ultimate humidity control, quieter sounds levels and year-round energy savings
 - When paired with a 24V two-stage thermostat, the air handler runs in 3-speeds to match airflow with outdoor unit
- **Diagnostics – Easy & Quick Diagnostics & Ongoing Monitoring with Bluetooth®¹ Technology & EcoNet®:** With the Sure Comfort Contractor & EcoNet® Apps, built-in technology makes monitoring, troubleshooting and repairing the product easier than ever before

The Sure Comfort Contractor App via Bluetooth® technology, features up to 62% faster overall diagnostics over other residential HVAC brands²
- **No Dip Switches = Fast Seamless Final Installation:** The Sure Comfort Contractor App-based commissioning via Bluetooth® technology, features up to 54% faster installation over other residential HVAC brands
- **New Sure Comfort Air Handler Control Board (AHC):** Enables constant CFM airflow
 - Introduces Bluetooth® connectivity for access to advanced diagnostic information from the Sure Comfort Contractor App on your mobile device
 - Maintains EcoNet® diagnostics for remote access when shared by the homeowner
- **Aluminum Indoor Coil Design:** Are constructed of aluminum fins bonded to internally grooved aluminum tubing and are more corrosion resistant
- **Quieter Sound Levels:** Provided by sturdy cabinet construction with 1.0 inch of foil faced insulation for quieter sound characteristics
- **Versatile 4-Way Convertible Compact Design:** Allows for upflow, downflow, horizontal left and horizontal right applications, even in the smallest of spaces
- **Rugged Steel, Compact Cabinet Construction:** Designed for added strength and versatility
- **Field-installed Auxiliary Heater Kits:** Provide exact heat for indoor comfort and include circuit breakers which meet UL and cUL requirements for service disconnect
- **Less than 2% Cabinet Air Leakage at 1-inch H₂O:** When tested in accordance with ASHRAE Standard 193

[] Designates Metric Conversions

¹The Bluetooth® word mark and logos are registered trademarks owned by Bluetooth SIG, Inc. and any use of such marks by Rheem® is under license. Other trademarks and trade names are those of their respective owners. ²Per a 2022 MIAT Residential HVAC Time Study on base and mid-tier Endeavor® Line products and commercially available competitor units of similar product tier.

Air Handlers

<u>S</u>	<u>H</u>	<u>3</u>	<u>V</u>	<u>Z</u>	<u>24</u>	<u>17</u>	<u>S</u>	<u>T</u>	<u>A</u>	<u>C</u>	<u>N</u>	<u>J</u>
Brand	Product Category	Stages Of Airflow	Motor Type	Refrigerant	Capacity	Width	Efficiency	Metering	Major Series	Controls	Coil Series	Voltage
S - Sure Comfort	H - Multipoise Air Handler	3 - 3+ Stage	V - Constant CFM	Z - R-410A	24 - 24,000 [7.03 kW] 36 - 36,000 [10.55 kW] 48 - 48,000 [14.07 kW] 60 - 60,000 [17.58 kW]	17 - 17.5" 21 - 21" 24 - 24.5"	S - Standard M - Mid	T - TXV	A - 1st Design	C - Communicating	N - N Coil	J - 208-240/1/60

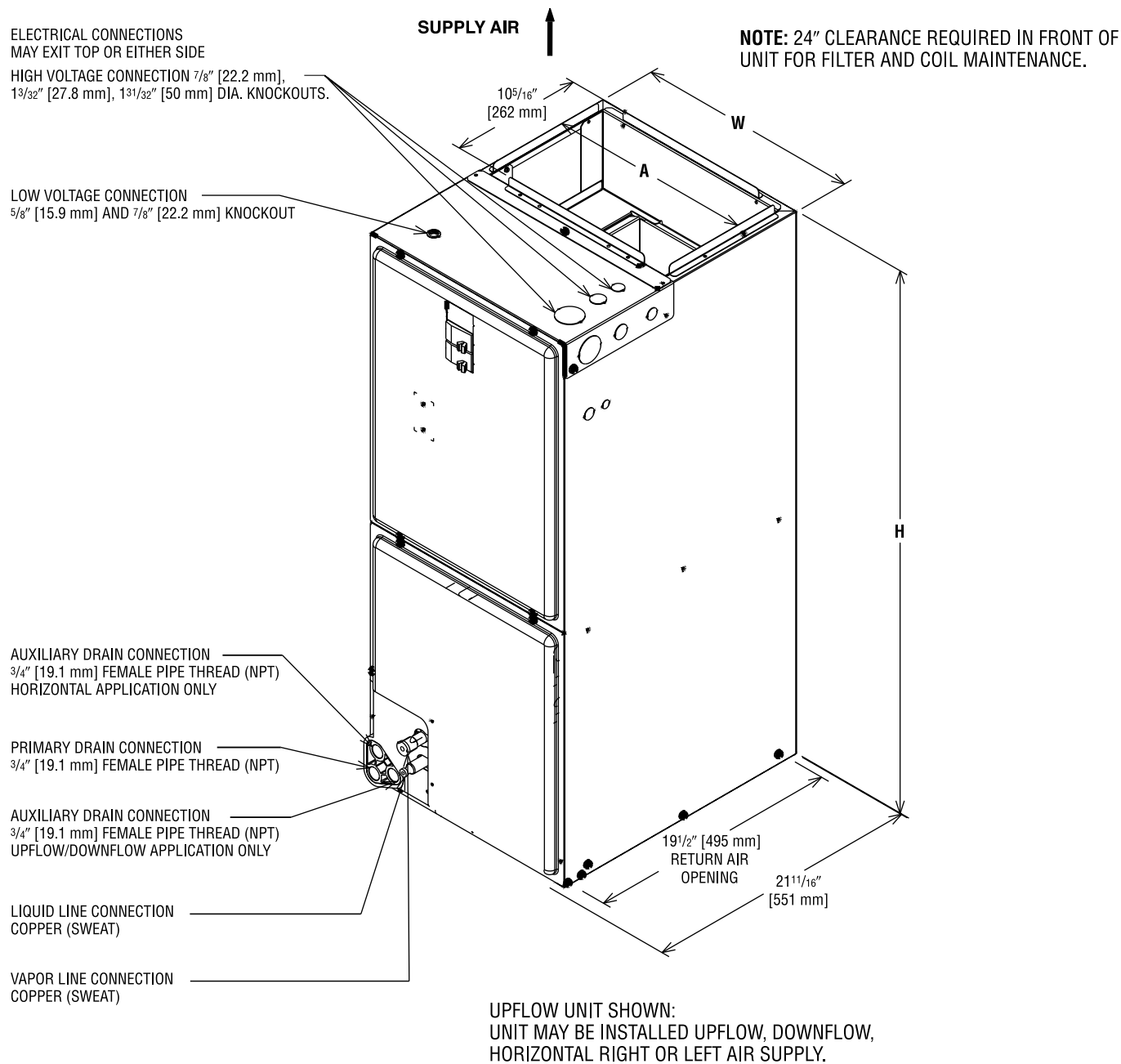
AVAILABLE MODELS
SH3VZ2417STACNJ
SH3VZ2417MTACNJ
SH3VZ3617STACNJ
SH3VZ3621MTACNJ
SH3VZ4821STACNJ
SH3VZ4824STACNJ
SH3VZ6024STACNJ

STANDARD EQUIPMENT

Equipped standard with an EcoNet® Air Handler control board that allows it to directly communicate with the EcoNet® Smart Thermostat. The EcoNet® Smart Thermostat serves as the hub of communication for a home's Heating, Cooling, and Water Heating systems, and is required to operate an EcoNet® Enabled Heating and Cooling system in fully communicating mode. Built in WiFi enables remote operation of EcoNet® Enabled equipment from the mobile-friendly web portal or mobile apps.
WiFi broadband internet connection required. Download the EcoNet® App from the App Store or Google Play to set up your EcoNet® Smart Thermostat. Receipt of notification depend on home WiFi set up. WiFi broadband internet connection required.
Selectable continuous fan "on" options.
The most compact unit design available, all standard heat air handler models only 42-1/2 to 57 inches [1079 to 1448 mm] high.
Attractive pre-painted cabinet exterior.
Rugged steel cabinet construction, designed for added strength and versatility.
1.0" foil faced insulation mechanically retained in blower compartment.
Four leg rubber insulated motor mount.
Field-installed auxiliary heater kit includes circuit breakers that meet UL and cUL requirements as a service disconnect switch.
Blower housing with integrated controls, motor and blower. Slide out design for service and maintenance convenience.
Field convertible for vertical upflow, vertical downflow, horizontal left hand or right hand air supply.
3 combustible floor base accessories fit all model sizes when required for downflow installations on combustible floors.
Indoor coil design provides low air side pressure drop, high performance and extremely compact size. All coils come with PVC condensate elbow standard.
Coils are constructed of aluminum fins bonded to internally grooved aluminum tubing.
Coils are tested at the factory with an extensive refrigerant leak check.
Coils have copper sweat refrigerant connections.
Coils utilize chatleff metering device connections.
Molded polymer corrosion resistant condensate drain pan is provided on all indoor coils.
Supply duct flanges provided as standard on air handler cabinet.
Provisions for field electrical connections available from either side or top of the air handler cabinet.
Connection point for high voltage wiring is inside the air handler cabinet. Low voltage connection is made on the outside of the air handler cabinet.
Concentric knockouts are provided for power connection to cabinet. Installer may pull desired hole size up to 2 inches [51 mm] for 1-1/2 inch [38 mm] conduit.
Front refrigerant and drain connections.

[] Designates Metric Conversions

Unit Dimensions



[] Designates Metric Conversions

Return Air Opening Dimensions

Model Cabinet Size	Return Air Opening Width (Inches)	Return Air Opening Depth/Length (Inches)
17	$15\frac{7}{8}$	$19\frac{3}{4}$
21	$19\frac{3}{8}$	$19\frac{3}{4}$
24	$22\frac{7}{8}$	$19\frac{3}{4}$

FIGURE 6
VERTICAL DOWNFLOW & HORIZONTAL RIGHT APPLICATION

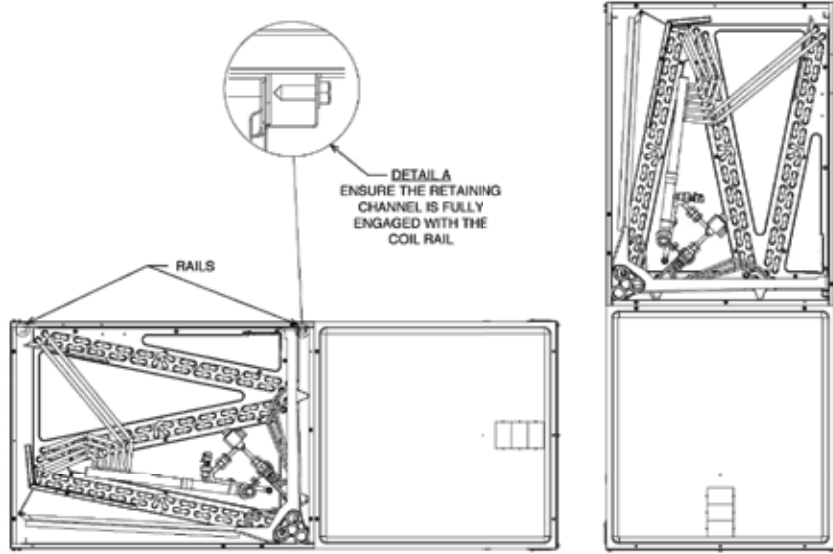
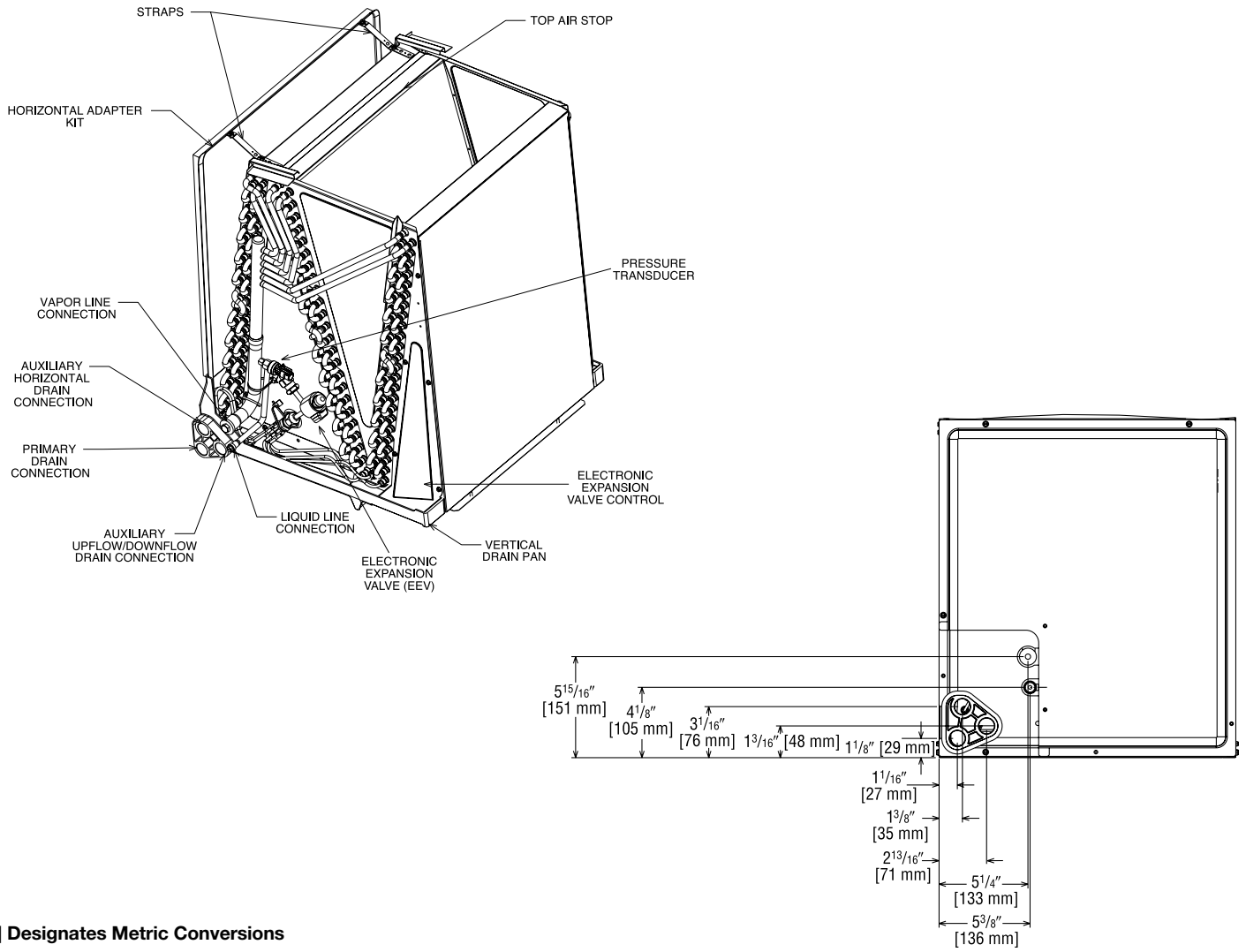


FIGURE 7
INDOOR COIL AND DRAIN PAN SET-UP



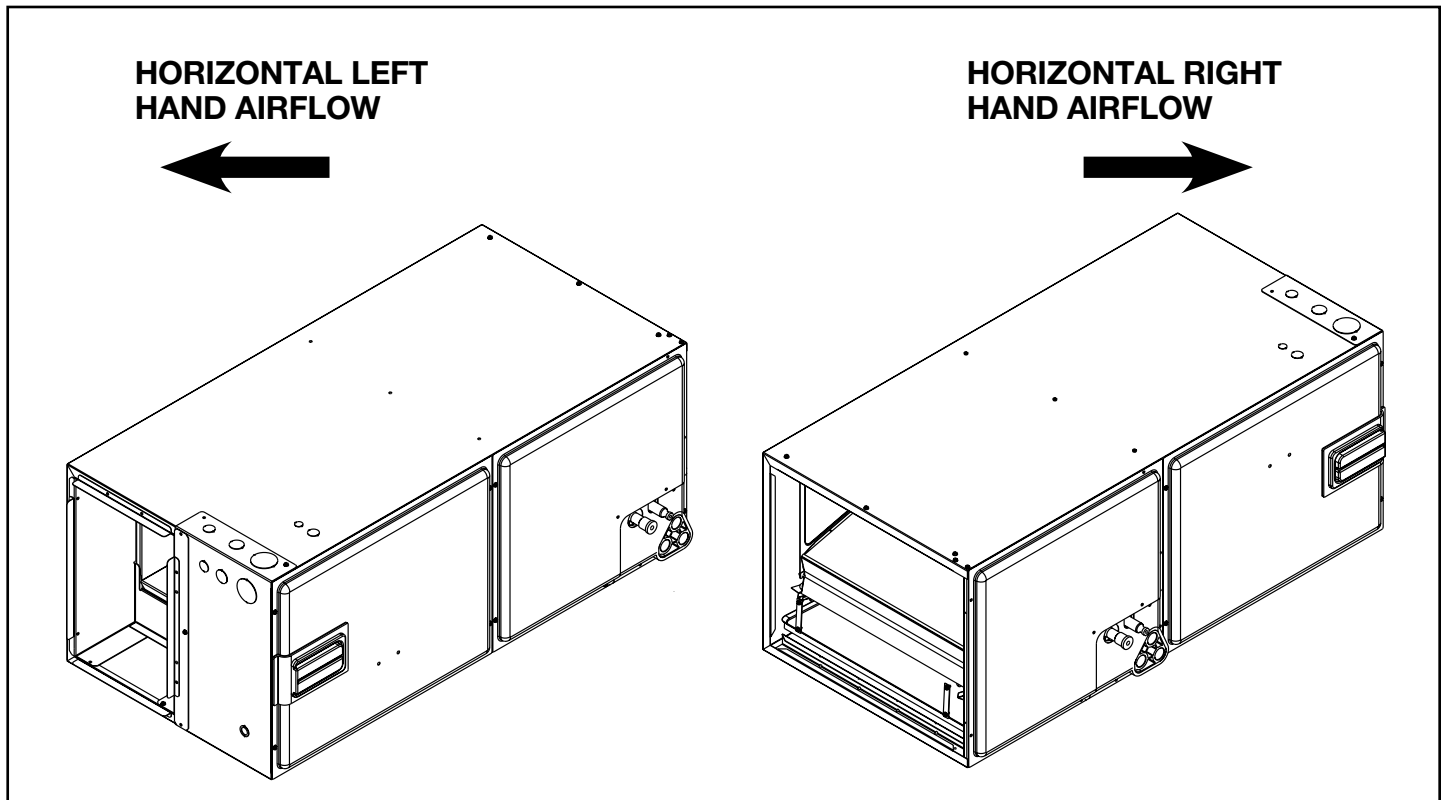
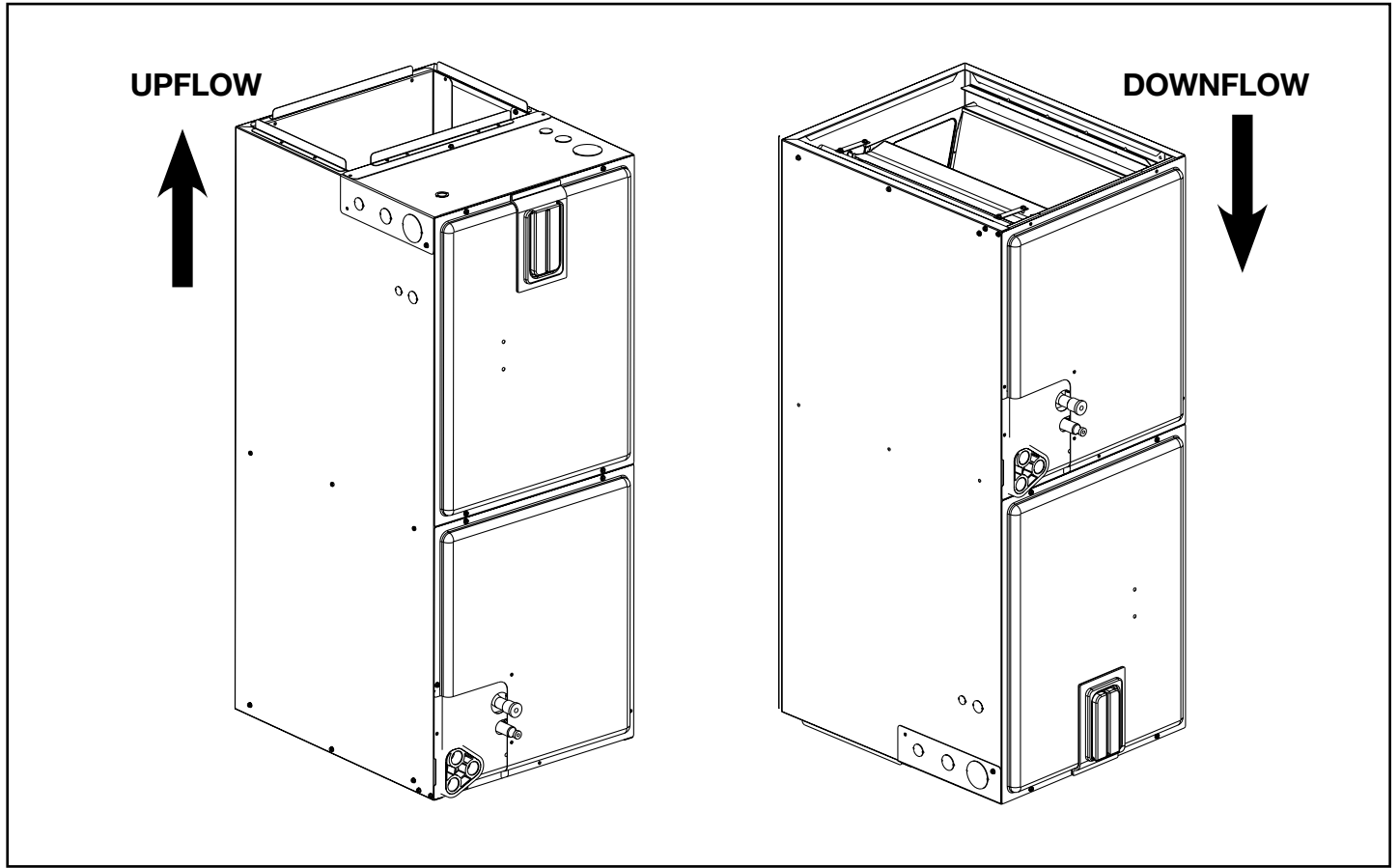
[] Designates Metric Conversions

Unit Dimensions & Weights

Model Size SH3VZ	Refrigerant Connections Sweat (In.) [mm] ID		Unit Width "W" In. [mm]	Unit Height "H" In. [mm]	Supply Duct "A" In. [mm]	Unit Weight/ Shipping Weight (Lbs.) [kg]
	Liquid	Vapor				
2417STACN	3/8 [9.53]	3/4 [19.05]	17 1/2 [445.0]	42 1/2 [1080]	16 [406]	91/105 [41/48]
2717MTAC	3/8 [9.53]	3/4 [19.05]	17 1/2 [445.0]	42 1/2 [1080]	16 [406]	99/113 [45/51]
3617STACN	3/8 [9.53]	7/8 [22.23]	17 1/2 [445.0]	42 1/2 [1080]	16 [406]	99/113 [45/51]
3621MTAC	3/8 [9.53]	7/8 [22.23]	21 [533.0]	50 1/2 [1282]	19 1/2 [495]	129/145 [59/66]
4821STACN	3/8 [9.53]	7/8 [22.23]	21 [533.0]	50 1/2 [1282]	19 1/2 [495]	129/145 [59/66]
4824STAC	3/8 [9.53]	7/8 [22.23]	24 1/2 [622.0]	55 1/2 [1410]	23 [584]	158/175 [72/79]
6024STACN	3/8 [9.53]	7/8 [22.23]	24 1/2 [622.0]	55 1/2 [1410]	23 [584]	158/175 [72/79]

[] Designates Metric Conversions

Airflow Directional Data



208V/240V Airflow Performance Data – SH3VZ (Constant Torque (ECM) Motor)

Rated Airflow for SH3VZ Air-Handlers + SA15/SA16 Condensing Units & RP16 Heat Pumps					
Air Handler Model	Outdoor Model	SH3VZ Airflow (EcoNet®)			
		Cooling Mode CFM [L/s]		Heating Mode CFM [L/s]	
		Minimum	Maximum	Minimum	Maximum
SH3VZ2417STACN	SA15AZ24	340 [160]	750 [354]	—	—
	SA16AZ24	340 [160]	750 [354]	—	—
	SP16AZ24	360 [170]	750 [354]	360 [170]	750 [354]
SH3VZ2417MTACN		500 [236]	1125 [531]	—	—
		500 [236]	1125 [531]	—	—
		500 [236]	1125 [531]	500 [236]	1125 [531]
SH3VZ3617STACN	SA15AZ36	500 [236]	1125 [531]	—	—
	SA16AZ36	500 [236]	1125 [531]	—	—
	SP16AZ36	500 [236]	1125 [531]	500 [236]	1125 [531]
SH3VZ3621MTACN		650 [307]	1450 [684]	—	—
		650 [307]	1450 [684]	—	—
		650 [307]	1450 [684]	650 [307]	1450 [684]
SH3VZ4821STACN	SA15AZ48	650 [307]	1450 [684]	—	—
	SA16AZ48	650 [307]	1450 [684]	—	—
	SP16AZ48	650 [307]	1450 [684]	650 [307]	1450 [684]
SH3VZ4824STACN		810 [382]	1800 [850]	—	—
		810 [382]	1800 [850]	—	—
		810 [382]	1800 [850]	810 [382]	1800 [850]
SH3VZ6024STACN	SA15AZ60	810 [382]	1800 [850]	—	—
	SA16AZ60	810 [382]	1800 [850]	—	—
	SP16AZ60	810 [382]	1800 [850]	810 [382]	1800 [850]

[] Designates Metric Conversions

Electrical Data – Blower Motor Only – No Electric Heat SH3VZ

Model SH3VZ	Voltage	Phase*	Hertz	HP [W]	RPM	Motor Amps.	Minimum Circuit Ampacity	Maximum Overcurrent Protection
2417STACNJ	208/240	1	60	1/3 [249]	300-1300	2.8	4	15
2417MTACNJ				1/2 [373]	300-1300	4.6	6	15
3617STACNJ				1/2 [373]	300-1300	4.6	6	15
3621MTACNJ				3/4 [559]	300-1300	5.4	7	15
4821STACNJ				3/4 [559]	300-1300	5.4	7	15
4824STACNJ				3/4 [559]	300-1300	5.2	7	15
6024STACNJ				3/4 [559]	300-1300	5.2	7	15

*Blower motors are all single-phase motors

Electrical Data – With Electric Heat SH3VZ

Installation of the U.L. Listed original equipment manufacturer provided heater kits listed in the following table is recommended for all auxiliary heating requirements.

Air Handler Model	Heater Model Number	Heater kW (208/240V)	Ph/Hz	No. Elements – kW per	Type Supply Circuit Single Circuit Multiple Circuit	Heater Amps.	Blower Motor Amps	Minimum Circuit Ampacity	Maximum Overcurrent Protection
SH3VZ2417STACNJ	RXBH-1724?03J-B	2.3/3.0	1/60	1-3.0	SINGLE	11.1/12.5	2.8	18/20	20/20
	RXBH-1724?05J-B	3.6/4.8	1/60	1-4.8	SINGLE	17.4/20	2.8	26/29	30/30
	RXBH-1724?07J-B	5.4/7.2	1/60	2-3.6	SINGLE	26/30	2.8	36/41	40/45
	RXBH-1724?10J-B	7.2/9.6	1/60	2-4.8	SINGLE	34.7/40	2.8	47/54	50/60
	RXBH-1724A13J-B	9.4/12.5	1/60	3-4.17	SINGLE	45.2/52.1	2.8	60/69	60/70
		3.1/4.2	1/60	1-4.17	MULTIPLE CKT 1	15/17.5	2.8	23/26	25/30
6.3/8.3		1/60	2-4.17	MULTIPLE CKT 2	30.3/34.6	0	38/44	40/45	
SH3VZ2417MTACNJ SH3VZ3617STACNJ	RXBH-1724?03J-B	2.3/3.0	1/60	1-3.0	SINGLE	11.1/12.5	4.6	20/22	20/25
	RXBH-1724?05J-B	3.6/4.8	1/60	1-4.8	SINGLE	17.4/20	4.6	28/31	30/35
	RXBH-1724?07J-B	5.4/7.2	1/60	2-3.6	SINGLE	26/30	4.6	39/44	40/45
	RXBH-1724?10J-B	7.2/9.6	1/60	2-4.8	SINGLE	34.7/40	4.6	50/56	50/60
	RXBH-1724A13J-B	9.4/12.5	1/60	3-4.17	SINGLE	45.2/52.1	4.6	63/71	70/80
		3.1/4.2	1/60	1-4.17	MULTIPLE CKT 1	15/17.5	4.6	25/28	25/30
		6.3/8.3	1/60	2-4.17	MULTIPLE CKT 2	30.3/34.6	0	38/44	40/45
	RXBH-1724A15J-B	10.8/14.4	1/60	3-4.8	SINGLE	52/60	4.6	71/81	80/90
		3.6/4.8	1/60	1-4.8	MULTIPLE CKT 1	17.4/20	4.6	28/31	30/35
		7.2/9.6	1/60	2-4.8	MULTIPLE CKT 2	34.7/40	0	44/50	45/50
		12.8/17.0	1/60	3-5.68	SINGLE	61.6/70.9	4.6	83/95	90/100
	RXBH-1724A18J-B	4.3/5.7	1/60	1-5.68	MULTIPLE CKT 1	20.7/23.8	4.6	32/36	35/40
		8.5/11.3	1/60	2-5.68	MULTIPLE CKT 2	40.9/47.1	0	52/59	60/60
		2.3/3.0	1/60	1-3.0	SINGLE	11.1/12.5	5.4	21/23	25/25
SH3VZ3621MTACNJ SH3VZ4821STACNJ	RXBH-1724?05J-B	3.6/4.8	1/60	1-4.8	SINGLE	17.4/20	5.4	29/32	30/35
	RXBH-1724?07J-B	5.4/7.2	1/60	2-3.6	SINGLE	26/30	5.4	40/45	40/45
	RXBH-1724?10J-B	7.2/9.6	1/60	2-4.8	SINGLE	34.7/40	5.4	51/57	60/60
	RXBH-1724A13J-B	9.4/12.5	1/60	3-4.17	SINGLE	45.2/52.1	5.4	64/72	70/80
		3.1/4.2	1/60	1-4.17	MULTIPLE CKT 1	15/17.5	5.4	26/29	30/30
		6.3/8.3	1/60	2-4.17	MULTIPLE CKT 2	30.3/34.6	0	38/44	40/45
	RXBH-1724A15J-B	10.8/14.4	1/60	3-4.8	SINGLE	52/60	5.4	72/82	80/90
		3.6/4.8	1/60	1-4.8	MULTIPLE CKT 1	17.4/20	5.4	29/32	30/35
		7.2/9.6	1/60	2-4.8	MULTIPLE CKT 2	34.7/40	0	44/50	45/50
		12.8/17.0	1/60	3-5.68	SINGLE	61.6/70.9	5.4	84/96	90/100
	RXBH-1724A18J-B	4.3/5.7	1/60	1-5.68	MULTIPLE CKT 1	20.7/23.8	5.4	33/37	35/40
		8.5/11.3	1/60	2-5.68	MULTIPLE CKT 2	40.9/47.1	0	52/59	60/60

? = A/B/C Heater Connection Types
A = Breaker
B = Terminal Block
C = Pullout Disconnect

[] Designates Metric Conversions

Electrical Data – With Electric Heat SH3VZ (Con't.)

Installation of the U.L. Listed original equipment manufacturer provided heater kits listed in the following table is recommended for all auxiliary heating requirements.

Air Handler Model	Heater Model Number	Heater kW (208/240V)	Ph/Hz	No. Elements – kW per	Type Supply Circuit Single Circuit Multiple Circuit	Heater Amps.	Blower Motor Amps	Minimum Circuit Ampacity	Maximum Overcurrent Protection
SH3VZ3621MTACNJ SH3VZ4821STACNJ	RXBH-24A20J-B	14.4/19.2	1/60	4-4.8	SINGLE	69.3/80	5.4	94/107	100/110
		7.2/9.6	1/60	2-4.8	MULTIPLE CKT 1	34.7/40	5.4	51/57	60/60
		7.2/9.6	1/60	2-4.8	MULTIPLE CKT 2	34.7/40	0	44/50	45/50
	RXBH-24A25J-B	18.0/24.0	1/60	6-4.0	SINGLE	86.6/100	5.4	115/132	125/150
		6.0/8.0	1/60	2-4.0	MULTIPLE CKT 1	28.9/33.4	5.4	43/49	45/50
		6.0/8.0	1/60	2-4.0	MULTIPLE CKT 2	28.9/33.4	0	37/42	40/45
		6.0/8.0	1/60	2-4.0	MULTIPLE CKT 3	28.9/33.4	0	37/42	40/45
	RXBH-24A30J-B	21.6/28.8	1/60	6-4.8	SINGLE	103.9/120	5.4	137/157	150/175
		7.2/9.6	1/60	2-4.8	MULTIPLE CKT 1	34.7/40	5.4	51/57	60/60
		7.2/9.6	1/60	2-4.8	MULTIPLE CKT 2	34.7/40	0	44/50	45/50
		7.2/9.6	1/60	2-4.8	MULTIPLE CKT 3	34.7/40	0	44/50	45/50
	SH3VZ4824STACNJ SH3VZ6024STACNJ	RXBH-1724?03J-B	2.3/3.0	1/60	1-3.0	SINGLE	11.1/12.5	5.2	21/23
RXBH-1724?05J-B		3.6/4.8	1/60	1-4.8	SINGLE	17.4/20	5.2	29/32	30/35
RXBH-1724?07J-B		5.4/7.2	1/60	2-3.6	SINGLE	26/30	5.2	39/44	40/45
RXBH-1724?10J-B		7.2/9.6	1/60	2-4.8	SINGLE	34.7/40	5.2	50/57	50/60
RXBH-1724A13J-B		9.4/12.5	1/60	3-4.17	SINGLE	45.2/52.1	5.2	63/72	70/80
		3.1/4.2	1/60	1-4.17	MULTIPLE CKT 1	15/17.5	5.2	26/29	30/30
		6.3/8.3	1/60	2-4.17	MULTIPLE CKT 2	30.3/34.6	0	38/44	40/45
RXBH-1724A15J-B		10.8/14.4	1/60	3-4.8	SINGLE	52/60	5.2	72/82	80/90
		3.6/4.8	1/60	1-4.8	MULTIPLE CKT 1	17.4/20	5.2	29/32	30/35
		7.2/9.6	1/60	2-4.8	MULTIPLE CKT 2	34.7/40	0	44/50	45/50
RXBH-1724A18J-B		12.8/17.0	1/60	3-5.68	SINGLE	61.6/70.9	5.2	84/96	90/100
		4.3/5.7	1/60	1-5.68	MULTIPLE CKT 1	20.7/23.8	5.2	33/37	35/40
		8.5/11.3	1/60	2-5.68	MULTIPLE CKT 2	40.9/47.1	0	52/59	60/60
RXBH-24A20J-B		14.4/19.2	1/60	4-4.8	SINGLE	69.3/80	5.2	94/107	100/110
		7.2/9.6	1/60	2-4.8	MULTIPLE CKT 1	34.7/40	5.2	50/57	50/60
		7.2/9.6	1/60	2-4.8	MULTIPLE CKT 2	34.7/40	0	44/50	45/50
RXBH-24A25J-B		18.0/24.0	1/60	6-4.0	SINGLE	86.6/100	5.2	115/132	125/150
		6.0/8.0	1/60	2-4.0	MULTIPLE CKT 1	28.9/33.4	5.2	43/49	45/50
		6.0/8.0	1/60	2-4.0	MULTIPLE CKT 2	28.9/33.4	0	37/42	40/45
		6.0/8.0	1/60	2-4.0	MULTIPLE CKT 3	28.9/33.4	0	37/42	40/45
RXBH-24A30J-B		21.6/28.8	1/60	6-4.8	SINGLE	103.9/120	5.2	137/157	150/175
		7.2/9.6	1/60	2-4.8	MULTIPLE CKT 1	34.7/40	5.2	50/57	50/60
		7.2/9.6	1/60	2-4.8	MULTIPLE CKT 2	34.7/40	0	44/50	45/50
		7.2/9.6	1/60	2-4.8	MULTIPLE CKT 3	34.7/40	0	44/50	45/50

? = A/B/C Heater Connection Types
A = Breaker
B = Terminal Block
C = Pullout Disconnect

[] Designates Metric Conversions

Electrical Wiring

Power Wiring

- Field wiring must comply with the National Electrical Code (C.E.C. in Canada) and any applicable local ordinance.
- Supply wiring must be 75°C minimum copper conductors only.
- See electrical data for product Ampacity rating and Circuit Protector requirement.

Accessories

• Combustible Floor Base RXHB-

Model Cabinet Size	Combustible Floor Base Model Number
17	RXHB-17
21	RXHB-21
24	RXHB-24

- **Jumper Bar Kit 3 Ckt. to 1 Ckt. RXBJ-A31** is used to convert single phase multiple three circuit units to a single supply circuit. Kit includes cover and screw for line side terminals.
- **Jumper Bar Kit 2 Ckt. to 1 Ckt. RXBJ-A21** is used to convert single phase multiple two circuit units to a single supply circuit. Kit includes cover and screw for line side terminals.
- **Note:** No jumper bar kit is available to convert three phase multiple two circuit units to a single supply circuit.

• Auxiliary Horizontal Overflow Pan Accessory RXBM-

Nominal Cooling Capacity-Tons	Auxiliary Horizontal Overflow Pan Accessory Model Number
2 - 3	RXBM-AC48
4 - 5	RXBM-AC61

• Supply and Return Air Sensor Kit RXHT-A02

The RXHT-A02 Thermistor Kit is to be used with the air handler control to monitor the system return and leaving air temperatures. These temperatures can be monitored with the EcoNet® communicating thermostat.

Grounding

- This product must be sufficiently grounded in accordance with National Electrical Code (C.E.C. in Canada) and any applicable local ordinance.
- A grounding lug is provided.

• Auxiliary Electric Heater Kits RXBH-

Heater Kits include circuit breakers which meet UL and cUL requirements for service disconnect. See the Electric Heat Electrical Data in this specification sheet for specific Heater Kit Model numbers.

• Horizontal Adapter Kit RXHH-

This horizontal adapter kit is used to convert Upflow/Downflow only models to horizontal flow. See the following table to order proper horizontal adapter kit.

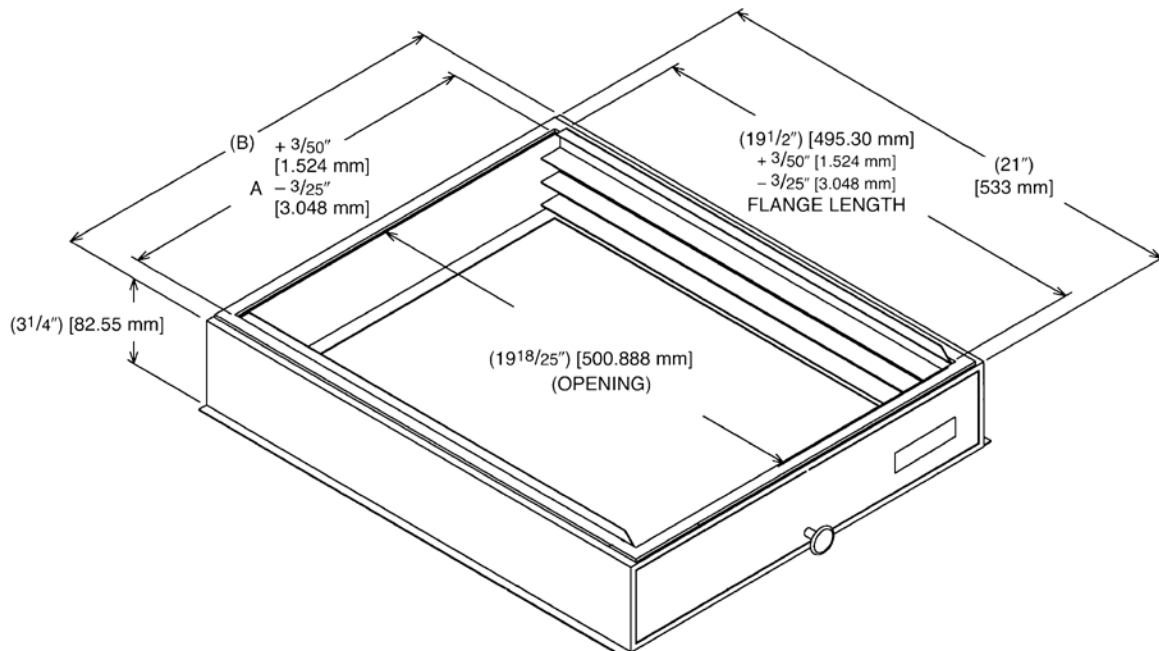
Coil Model	Horizontal Adapter Kit Model Number (Single Qty.)	Horizontal Adapter Kit Model Number (10-Pack Qty.)
2414	RXHH-A01	RXHH-A01 x 10
2417	RXHH-A02	RXHH-A02 x 10
2421/3617/3621	RXHH-A03	RXHH-A03 x 10
4821/4824/6021	RXHH-A06	RXHH-A06 x 10
6024	RXHH-A05	RXHH-A05 x 10

• External Filter Base RXHF-

Model Cabinet Size	Filter Size In. [mm]	Part Number*	A	B
17	16 x 20 [406 x 508]	RXHF-17	15.70	17.5
21	20 x 20 [508 x 508]	RXHF-21	19.20	21.0
24	25 x 20 [635 x 508]	RXHF-24	22.70	25.5

*Accommodates 1" or 2" filter

RXHF-



[] Designates Metric Conversions



GENERAL TERMS OF LIMITED WARRANTY*

Sure Comfort® will furnish a replacement for any part of this product which fails in normal use and service within the applicable period stated, in accordance with the terms of the limited warranty.

Conditional Parts
(Registration Required)..... Ten (10) Years

***For complete details of the Limited and Conditional Warranties, including applicable terms and conditions, contact your local contractor or the Manufacturer for a copy of the product warranty certificate.**

Before proceeding with installation, refer to installation instructions packaged with each model, as well as complying with all Federal, State, Provincial, and Local codes, regulations, and practices.

© 2025 Rheem Manufacturing Company. Sure Comfort trademarks owned by Rheem Manufacturing Company.

In keeping with its policy of continuous progress and product improvement, Sure Comfort reserves the right to make changes without notice.

5600 Old Greenwood Road
Fort Smith, Arkansas 72908 • www.surecomfort.com

125 Edgeware Road, Unit 1
Brampton, Ontario • L6Y 0P5 • surecomfort.ca