



**Russell**<sup>®</sup>  
By Rheem

PROJECT NAME \_\_\_\_\_  
LOCATION \_\_\_\_\_  
ARCHITECT \_\_\_\_\_  
ENGINEER \_\_\_\_\_  
CONTRACTOR \_\_\_\_\_  
SUBMITTED BY \_\_\_\_\_ DATE \_\_\_\_\_

**UNIT SUMMARY**

Quantity						
Unit Designation						
Model No.						
Total Cooling						
Sensible Cooling						
Air Ent. Evaporator						
Air Lvg. Evaporator						
Heating Input						
Heating Output						
CFM/ESP						
EER/SEER						
Electrical						
Minimum Ampacity						
Min.-Max. Breaker						
Net Unit Weight						
Accessory						
Catalog Form Number						

**ACCESSORIES:**

**NOTES:**

# Vantix™ Line S921T 4-Way Multi-Position Gas Furnace

## Heating Stages: Single Stage

### Input Rates: 40-115 kBTU [11.7-33.7 kW]

JOB NAME \_\_\_\_\_ LOCATION \_\_\_\_\_  
 CONTRACTOR \_\_\_\_\_ ORDER NO. \_\_\_\_\_  
 ENGINEER \_\_\_\_\_ UNIT MODEL NO. \_\_\_\_\_  
 SUBMITTED FOR  APPROVAL  RECORD COIL MODEL NO. \_\_\_\_\_  
 DATE \_\_\_\_\_ AIR HANDLER MODEL NO. \_\_\_\_\_

#### UNIT DATA

##### HEATING PERFORMANCE

TOTAL CAPACITY INPUT\* ..... \_\_\_\_\_ MBH [kW]  
 TOTAL CAPACITY OUTPUT\* ..... \_\_\_\_\_ MBH [kW]  
 DESIGN TEMP. RISE..... \_\_\_\_\_ °F [°C] DB  
 AFUE ..... \_\_\_\_\_ %  
 CALIFORNIA SEASONAL EFFICIENCY ..... \_\_\_\_\_ %  
 (\*uses blower motor heat)

##### SUPPLY AIR BLOWER PERFORMANCE

TOTAL AIR SUPPLY..... \_\_\_\_\_ CFM [L/s]  
 TOTAL RESISTANCE EXTERNAL TO UNIT..... \_\_\_\_\_ IWG  
 BLOWER SPEED..... \_\_\_\_\_ RPM  
 POWER OUTPUT REQUIREMENT ..... \_\_\_\_\_ BHP  
 MOTOR RATING ..... \_\_\_\_\_ HP [W]  
 POWER INPUT REQUIREMENT ..... \_\_\_\_\_ kW

##### ELECTRICAL DATA

POWER SUPPLY..... \_\_\_\_\_ Hz  
 TOTAL UNIT AMPACITY..... \_\_\_\_\_ AMPS  
 MINIMUM WIRE SIZE..... \_\_\_\_\_ AWG  
 MAXIMUM OVERCURRENT DEVICE FUSES/HACR BREAKER ..... \_\_\_\_\_ AMPS

#### FEATURES

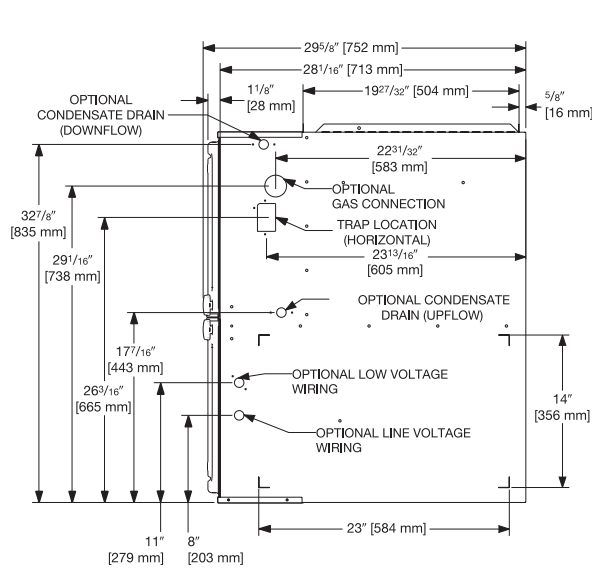
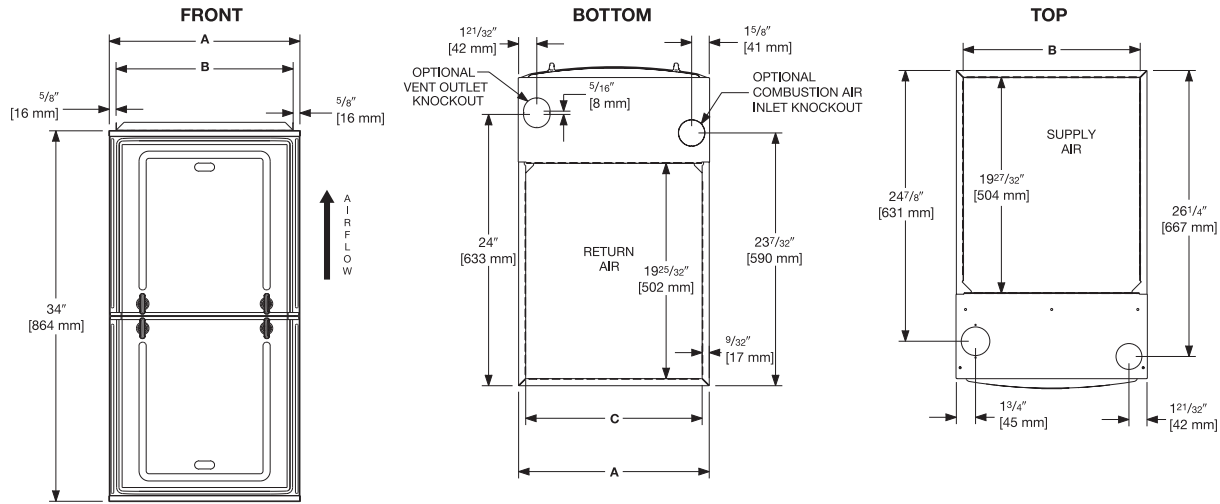
- **Energy Efficiency:** ENERGY STAR® certified, featuring 95% AFUE across all model sizes
- **Diagnostics:** Industry-first, 7-Segment LED for quick and easy service
- **Ignition System:** Proven Direct Spark Ignition (DSI) for reliability and longevity
- **Water Management System:** Exclusive patented block drain sensor that automatically shuts off the furnace when the drain is blocked and alerts the contractor via diagnostic code

#### FIELD INSTALLED ACCESSORIES

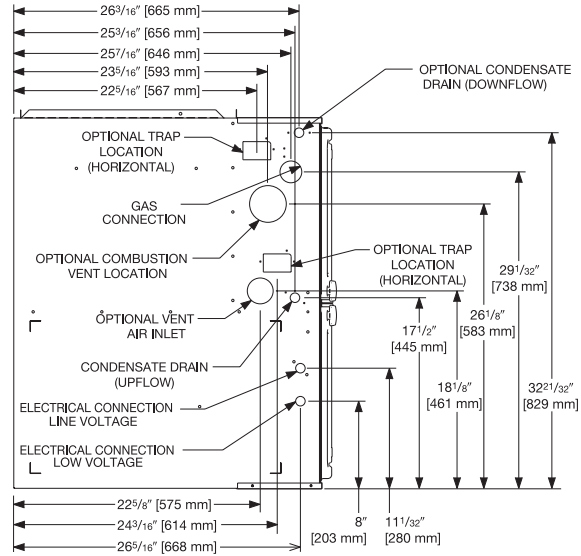
- Vent Termination Kits Concentric:
- Vertical/Horizontal 2" Pipe (US only) = RXGY-E02.....
  - Vertical/Horizontal 2" Pipe (US & Canada) = RXGY-E02A.....
  - Vertical/Horizontal 3" Pipe (US only) = RXGY-E03.....
  - Vertical/Horizontal 3" Pipe (US & Canada) = RXGY-E03A.....
- Direct Vent Furnace Side Wall Vent 2" or 3"  
 (US only) = RXGY-G02 .....



**S921T**



**RIGHT SIDE**



**LEFT SIDE**

**Unit Dimensions Clearance to Combustibles**

MODEL S921T	LEFT SIDE	MINIMUM CLEARANCE (IN.) [mm]					FLANGE DIMENSIONS		
		RIGHT SIDE	BACK	TOP	FRONT	VENT	A	B	C
<b>040</b>	0	0	0	1 [25]	2 [51]	0	17 1/2 [445]	16 17/64 [413]	16 13/64 [412]
<b>060</b>	0	0	0	1 [25]	2 [51]	0	17 1/2 [445]	16 17/64 [413]	16 13/64 [412]
<b>070</b>	0	0	0	1 [25]	2 [51]	0	17 1/2 [445]	16 17/64 [413]	16 13/64 [412]
<b>070 (wide)</b>	0	0	0	1 [25]	2 [51]	0	21 [533]	19 49/64 [502]	19 45/64 [500]
<b>085</b>	0	0	0	1 [25]	2 [51]	0	21 [533]	19 49/64 [502]	19 45/64 [500]
<b>100</b>	0	0	0	1 [25]	2 [51]	0	21 [533]	19 49/64 [502]	19 45/64 [500]
<b>115</b>	0	0	0	1 [25]	2 [51]	0	24 1/2 [662]	23 17/64 [591]	23 13/64 [589]

\*A service clearance of at least 24" is recommended in front of all furnaces  
 Supply and return depicted as upflow configuration.  
 Flange configuration will vary depending on installation orientation.

[ ] Designates Metric Conversions

**Before proceeding with installation, refer to installation instructions packaged with each model, as well as complying with all Federal, State, Provincial, and Local codes, regulations, and practices.**

5600 Old Greenwood Road  
 Fort Smith, Arkansas 72908

© 2023 Rheem Manufacturing Company. Russell By Rheem and Sure Comfort trademarks owned by Rheem Manufacturing Company.

"In keeping with its policy of continuous progress and product improvement, Rheem reserves the right to make changes without notice."