



MODEL: RHXT/RHXP Low Height Air Handler

FORM NO. HSC-562 REV. 1

Sure Comfort® RHXT/RHXP Low Height Air Handler



- ECM Motor
Efficiencies up to 16 SEER
- PSC Motor
Efficiencies up to 14.5 SEER



Standard Features

- High efficiency ECM motor
- Drain pan has 3/4" NPT primary and secondary (overflow) fittings
- 240V motor, 24V control
- Factory installed electric heat (up to 10 kW) (except 0 kW models)
- Highly efficient copper tube/aluminum fin cooling coil with factory installed R-410A TXV (non-bleed type)
- Insulated and coated galvanized steel drain pan, sloped for positive drainage
- Effective January 2016, Cabinet air leakage is no more than 2% when tested in accordance with ASHRAE 193.

Optional Features

- Attractive off-white return air/access panel with captive screws. They can be used with either the non-enclosed RHXT or the RHXT with a field or factory installed enclosure.
- IAQ filter panels (see page 9)
- Field installed enclosure. All enclosures are fully insulated and include cutouts for optional ducted return air. Ducted return air option requires remote filter-grille.
- Heat pump kit - required for heat pump match ups having electric heat (#942-1).
- Condensate overflow switch (# SS3) (field installed)
- Enclosure "Cap Kit" – for ceiling installation

Table of Contents

Engineering Features	3
Model Number Identification	4
Dimensional Data.....	5
Airflow Performance Data	6-7
Blower Data	8
Accessories	9-10
Limited Warranty	11

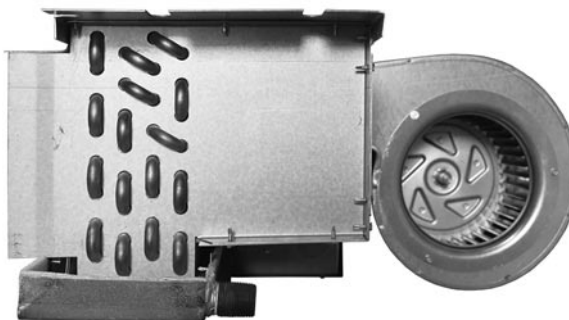
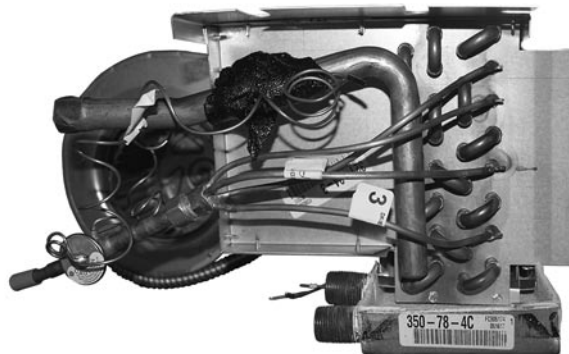
Engineering Features

These recessed ceiling fan coils are designed for use with today's higher efficiency split-system condensing units and heat pumps. High efficiency ECM type motors are standard in all RHXT series fan coils.

The base RHXT fan coil is an open blower type (non-enclosed) fan coil. It is also available with either a field or factory installed enclosure, with both options including your choice of either a louvered or solid ceiling panel. For RHXT fan coils factory installed within an enclosure, add "C" before the kW in the model number. For instance, ordering model

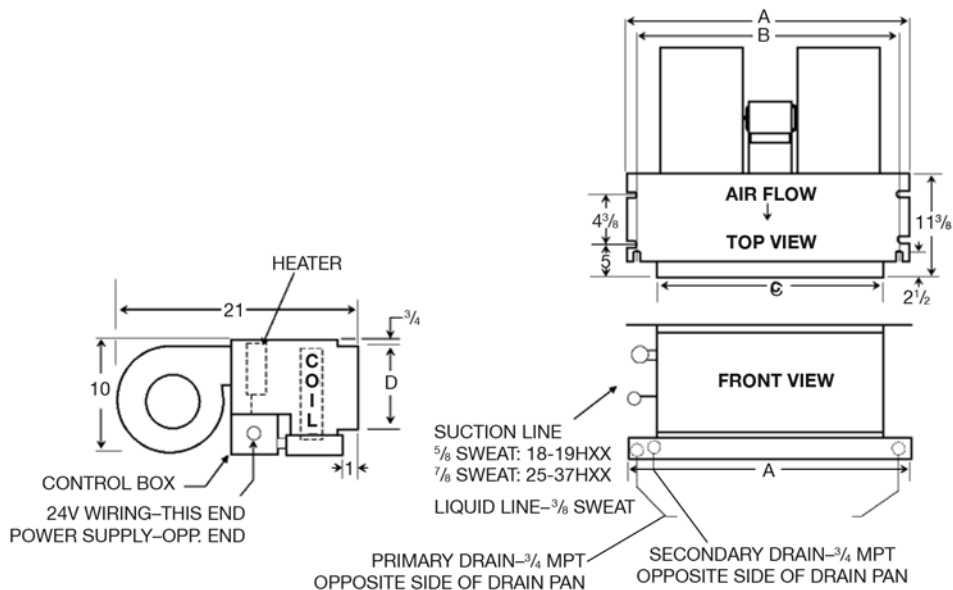
RHXT3610STANJAC08, will include an RHXT3610STANJAU08 fan coil factory installed in an enclosure and your choice of either a solid or louvered panel (see "Enclosures with Ceiling Panels" on page 10). A "cap kit" is also available when the RHXT is installed above a ceiling, rather than recessed.

Compatible outdoor units: The customer is ultimately responsible for confirming which fan coil models are compatible with selected outdoor units. To determine up-to-date, certified indoor/outdoor matches, please visit the AHRI web site (www.ahridirectory.org).



Unit Dimensions

Approved for installation with 0" clearance to combustible materials



Physical Dimensions

Model	A	B	C	D
12, 19, 24RHXT	37 ¹ / ₄	34 ¹¹ / ₁₆	30	6 ¹ / ₂
20, 25RHXT	43 ¹ / ₄	40 ¹¹ / ₁₆	36	6 ¹ / ₂
26, 31RHXT	49 ¹ / ₄	46 ¹¹ / ₁₆	42	6 ¹ / ₂
28, 32, 37RHXT	56 ¹ / ₄	53 ¹¹ / ₁₆	49	6 ¹ / ₂

[] Designates Metric Conversions

Performance Data

Unit Model RHXT-	Nominal CFM	Nominal Cool BTUH	Heat (1)		Total Amps		Minimum Circuit Ampacity		Maximum Fuse	
			kW	BTUH	208V	240V	208V	240V	208V	240V
12RHXT -0 -3 -5	400	12000	— 3 5	— 10,200 17,000	1.5 12.4 19.6	1.5 14.0 22.4	— 16 25	— 18 28	— 20 25	— 20 30
19RHXT -0 -3 20RHXT -5 24RHXT -6 -8 -10	600	18000	— 3 5 6 8 10	— 10,200 17,000 20,500 27,300 34,100	4.3 15.2 22.4 26.0 33.2 40.4	4.3 16.8 25.2 29.3 37.7 46.0	— 19 28 33 42 51	— 21 32 37 47 58	— 20 30 35 50 60	— 25 35 40 50 60
25RHXT -0 -3 26RHXT -5 28RHXT -6 -8 -10	800	24000	— 3 5 6 8 10	— 10,200 17,000 20,500 27,300 34,100	4.3 15.2 22.4 26.0 38.2 40.4	4.3 16.8 25.2 29.3 37.7 46.0	— 19 28 33 42 51	— 21 32 37 47 58	— 20 30 35 50 60	— 25 35 40 50 60
31RHXT -0 -3 32RHXT -5 -6 -8 -10	1000	30000	— 3 5 6 8 10	— 10,200 17,000 20,500 27,300 34,100	4.3 15.2 22.4 26.0 33.2 40.4	4.3 16.8 25.2 29.3 37.7 46.0	— 19 28 33 42 51	— 21 32 37 47 58	— 20 30 35 50 60	— 25 35 40 50 60
37RHXT -0 -3 -5 -6 -8 -10	1200	36000	— 3 5 6 8 10	— 10,200 17,000 20,500 27,300 34,100	4.3 15.2 22.4 26.0 33.2 40.4	4.3 16.8 25.2 29.3 37.7 46.0	— 19 28 33 42 51	— 21 32 37 47 58	— 20 30 35 50 60	— 25 35 40 50 60

Performance Data

Unit Model RHXP-	Nominal CFM	Nominal Cool BTUH	Heat		Total Amps	Minimum Circuit Ampacity		(2) Maximum Fuse	
			kW	BTUH		208V	208V	240V	208V
18RHXP	600	18,000	-5	17,000	22.8	25	30	25	30
			-6	20,500	27.0	30	35	30	35
19RHXP & 20RHXP	600	18,000	-51	—	1.0	2	2	15	15
			-3	10,200	13.5	15	18	15	20
			-5	17,000	21.8	24	30	25	30
			-6	20,500	26.0	29	35	30	35
			-8	27,300	34.3	38	47	40	50
24, 25RXHP & 26, 28RXHP	800	24,000	-59	—	2.0	3	3	15	15
			-3	10,200	14.5	16	20	20	20
			-5	17,000	22.8	25	30	25	30
			-6	20,500	27.0	29	35	30	35
			-8	27,300	35.3	39	47	40	50
			-10	34,100	43.6	48	55	50	60
30,31RHXP & 32RHXP	1000	30,000	-63	—	2.0	3	3	15	15
			-3	10,200	14.5	16	20	20	20
			-5	17,000	22.8	25	30	25	30
			-6	20,500	27.0	29	35	30	35
			-8	27,300	35.3	39	47	40	50
			-10	34,100	43.6	48	55	50	60
36RHXP & 37 RHXP	1200	36,000	-70	—	2.8	4	4	15	15
			-3	10,200	15.3	18	20	20	20
			-5	17,000	23.6	27	30	30	30
			-6	20,500	27.8	31	35	35	35
			-8	27,300	36.1	40	46	40	50
			-10	34,100	44.5	49	56	50	60

Blower Data

Unit Model RHXT-	Motor HP (240V)	Speed Tap	Motor BHP	Nominal Amps	CFM vs. External Static Pressure								
					0.00	0.05	0.10	0.15	0.20	0.25	0.30	0.35	0.40
12RHXT	1/7	Optional High	0.07	0.70	670	645	620	595	570	545	525	500	475
		Std. High	0.05	0.50	590	560	525	495	465	440	415	—	—
		Std. Low	0.04	0.30	380	340	300	260	220	180	140	—	—
19RHXT	1/2	Optional High	0.16	1.20	800	765	730	695	660	620	580	535	490
		Std. High	0.10	0.08	660	630	600	575	550	525	500	—	—
		Std. Low	0.08	0.07	590	555	520	495	470	445	420	—	—
20RHXT	1/2	Optional High	0.16	1.20	800	765	730	695	660	620	580	535	490
		Std. High	0.10	0.80	650	625	600	575	550	525	500	—	—
		Std. Low	0.08	0.70	590	560	530	505	480	455	430	—	—
24RHXT	1/2	Optional High	0.31	2.10	1000	985	965	950	935	915	900	885	865
		Std. High	0.23	1.50	860	840	820	800	780	765	745	—	—
		Std. Low	0.17	1.00	715	685	660	640	615	595	580	—	—
25RHXT 28RHXT	1/2	Optional High	0.30	2.10	970	950	930	910	890	870	850	825	800
		Std. High	0.20	1.50	810	790	770	745	720	705	690	—	—
		Std. Low	0.16	1.00	720	690	660	645	630	615	600	—	—
26RHXT	1/2	Optional High	0.30	2.10	1010	980	950	925	900	880	860	840	820
		Std. High	0.20	1.50	840	810	780	760	740	720	700	—	—
		Std. Low	0.16	1.00	750	715	680	655	630	615	600	—	—
31RHXT	1/2	Optional High	0.43	3.30	1230	1195	1160	1140	1120	1090	1060	995	930
		Std. High	0.32	2.20	1060	1015	970	945	920	875	830	—	—
		Std. Low	0.24	1.50	920	885	850	810	770	735	700	—	—
32RHXT	1/2	Optional High	0.43	3.30	1280	1245	1210	1180	1150	1115	1080	1025	970
		Std. High	0.32	2.20	1090	1050	1010	985	960	930	900	—	—
		Std. Low	0.24	1.50	950	920	890	855	820	790	760	—	—
37RHXT	1/2	Optional High	0.51	4.00	1430	1400	1370	1355	1320	1295	1270	1220	1170
		Std. High	0.43	3.30	1260	1225	1190	1160	1130	1115	1100	—	—
		Std. Low	0.32	2.20	1110	1080	1050	1025	1000	970	940	—	—

Unit Model RXHP-	Motor HP (240V)	CFM vs. External Static Pressure							
		0.00	0.05	0.10	0.15	0.20	0.25	0.30	
18RHXT	1/8	810	775	740	705	670	640	610	
19RHXT	1/8	820	785	750	715	680	650	620	
20RHXT	1/8	850	815	780	745	710	670	630	
24, 28 RHXT	1/4	910	875	840	805	770	730	690	
25RHXT	1/4	930	895	860	825	790	750	710	
26RHXT	1/4	960	925	890	850	810	770	730	
24RHXT	1/4	—	—	—	920	890	860	830	
30, 31RHXT	1/4	1110	1075	1040	990	940	900	860	
32RHXT	1/4	1170	1140	1110	1075	1040	1000	960	
30RHXT	1/3	—	—	—	1110	1070	1030	990	
36RHXT	1/3	1410	1370	1330	1290	1250	1210	1170	
37RHXT	1/3	1460	1420	1380	1340	1300	1250	1200	

Ceiling Access Panels (For RHXT's installed without enclosure)

For Model	Panel No. (Std.)	Panel No. (IAQ)	Description	Ceiling Panel Opening		Panel Frame Dimensions (Outside)	
12, 19, 24RHXT	965	965-M8(*)	Louvered	24½	40	27½	43
	965-1	NA	Non-Louvered	24½	40	27½	43
20, 25RHXT	966	966-M8(*)	Louvered	24½	46	27½	49
	966-1	NA	Non-Louvered	24½	46	27½	49
26, 31RHXT	967	967-M8(*)	Louvered	24½	52½	27½	55½
	967-1	NA	Non-Louvered	24½	52½	27½	55½
28, 32, 37RHXT	967-6	967-6-M8(*)	Louvered	24½	60	27½	63
	967-7	NA	Non-Louvered	24½	60	27½	63

NOTE: (*) Add -2 to end of panel number for panel that accepts 2" filter.

STANDARD PANELS



965-1, 966-1, 967-1, 967-7



965, 966, 967, 967-6
(Louvers may differ from picture)
Louvered panels accept 20x20x1" filter
(field supplied)

IAQ PANELS



965-M8 (accepts 1-20x30x1 filter)
966-M8, 967-M8
(accepts 2-20x30x1 filter)
967-6-M8, (accepts 2-20x25x1 filter)
(GlassFloss® Industries Series HV filter
or equivalent recommended)

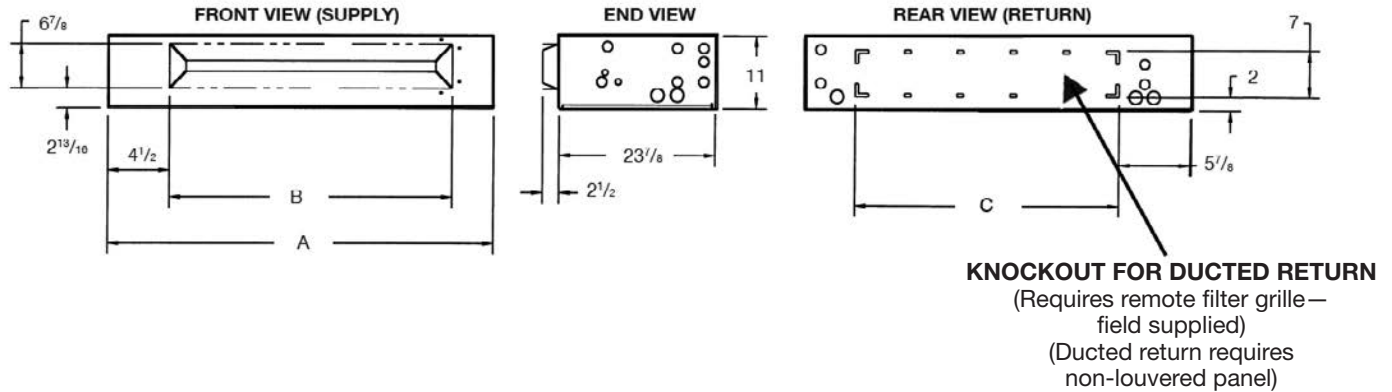
Enclosures with Ceiling Panels

(Enclosures and panels are standard with ALL “-C” models or can be ordered separately for “RXHT” models)

For Model	Enclosure No.	Enclosure Dimensions			Panel No. (Std.)	Panel No. (IAQ)	Description	Ceiling Panel Opening		Panel Frame Dimensions (Outside)	
		H	W	D				W	L	W	L
12, 19, 24RHXT	9EHX01	11	39 ³ / ₄	23 ⁷ / ₈	965	965-M8(*)	Louvered	24 ¹ / ₂	40	27 ¹ / ₂	43
					965-1	NA	Non-Louvered	24 ¹ / ₂	40	27 ¹ / ₂	43
20, 25RHXT	9EHX02	11	45 ³ / ₄	23 ⁷ / ₈	966	966-M8(*)	Louvered	24 ¹ / ₂	46	27 ¹ / ₂	49
					966-1	NA	Non-Louvered	24 ¹ / ₂	46	27 ¹ / ₂	49
26, 31RHXT	9EHX03	11	51 ³ / ₄	23 ⁷ / ₈	967	967-M8(*)	Louvered	24 ¹ / ₂	52 ¹ / ₂	27 ¹ / ₂	55 ¹ / ₂
					967-1	NA	Non-Louvered	24 ¹ / ₂	52 ¹ / ₂	27 ¹ / ₂	55 ¹ / ₂
28, 32, 37RHXT	9EHX04	11	58 ³ / ₄	23 ⁷ / ₈	967-6	967-6-M8(*)	Louvered	24 ¹ / ₂	60	27 ¹ / ₂	63
					967-7	NA	Non-Louvered	24 ¹ / ₂	60	27 ¹ / ₂	63

NOTES: (1) Louvered is the “default” style and automatically shipped unless non-louvered is specified on order.

(*) Add -2 to end of panel number for panel that accepts 2” filter.



Enclosure Dimensions

Model	Enclosure No.	A	B	C
12, 19, 24RHXT	9EHX01	39 ³ / ₄	30 ⁵ / ₈	28
20, 25RHXT	9EHX02	45 ³ / ₄	36 ⁵ / ₈	34
26, 31RHXT	9EHX03	51 ³ / ₄	42 ⁵ / ₈	40
28, 32, 37RHXT	9EHX04	58 ³ / ₄	50	46 ³ / ₄



Cap Kit—For Installation Above A Suspended Ceiling

Part No.	Fits Enclosure No.	For Unit Model
9PHX01	9EHX01	12, 19, 24RHXT-C
9PHX02	9EHX02	20, 25RHXT-C
9PHX03	9EHX03	25, 31RHXT-C
9PHX04	9EHX04	28, 32, 37RHXT-C

NOTES: 1. Cap kit is an insulated panel that covers the entire bottom opening of the enclosure (requires ducted return).

2. Cap kit would be used in lieu of the ceiling panel.

GENERAL TERMS OF LIMITED WARRANTY*

Sure Comfort® will furnish a replacement for any part of this product which fails in normal use and service within the applicable periods stated, in accordance with the terms of the limited warranty.

Conditional Parts (Registration Required)Ten (10) Years

***For complete details of the Limited and Conditional Warranties, including applicable terms and conditions, contact your local contractor or the Manufacturer for a copy of the product warranty certificate.**



Sure Comfort®

5600 Old Greenwood Road, Fort Smith, AR 72908

Before proceeding with installation, refer to installation instructions packaged with each model, as well as complying with all Federal, State, Provincial, and Local codes, regulations, and practices.