



The new degree of comfort.®

Rheem® CRTGH Series Super High Efficiency Condensing Tankless Gas Water Heaters

Easy Installation

- PVC Vent runs up to 60' (2"), 150' (3")
- Enhanced design is up to 20% smaller and lighter making one-person installs even easier

Ready for Retrofits

- **Industry Best!** 1/2" side to side clearance allows you to safely work in spaces the competition can't
- 1/2" Gas line compatibility (subject to local code)

Key Features

- **Rheem® Exclusive!** Hot-start Programming™ ensures the unit is in a ready state between back-to-back usage, minimizing any cold water bursts
- Built-in EcoNet® Wi-Fi technology for direct control from your device (on select models)
- LeakGuard® – All-inclusive leak detection and prevention system that detects any leak that comes from the unit (on select indoor with Wi-Fi models)



Specifications

Rheem Model Number	CRTGH-68DVLN-3	CRTGH-84DVLN-3	CRTGH-90DVLN-3	CRTGH-95DVLN-3 CRTGH-95DVELN-3
Built-in LeakGuard™ Model Number				CRTGH-95DVELN-3 (Wi-Fi Model)
Gas Input Rate	MAX	120,000 BTU/h	157,000 BTU/h	180,000 BTU/h
	MIN	11,000 BTU/h	11,000 BTU/h	11,000 BTU/h
Uniform Energy Factor (UEF)	0.90		0.93	
Gallons Per Minute (GPM)	MAX (35°F)	6.6	8.4	9.0
	45°F Rise	5.1	6.7	7.7
	67°F Rise	3.4	4.6	5.2
Number of Bathrooms¹	2.5	3	3 - 4	4
Temp. Range	100°F - 140°F			
Temp. Setting from Factory	120°F			
High Temp. Upgrade Available	No			
Freeze Protection	-30°F Air Intake ² , -4°F Ambient			
Installation Type	Indoor			
Heat Exchanger Material	Primary: Copper – Secondary: Stainless Steel			
Minimum Activation Flow	0.4 GPM			
Minimum Continuous Flow	0.26 GPM			
Maximum Altitude	7,800 ft.			
Warranty	15 year Heat Exchanger 5-Year Parts 1-Year Labor			
Height	23.7"			
Width	17.7"			
Depth	9.8"			
Weight (Lbs.)	52.9			
Venting Diam. Allowed	2" / 3"			
Max. Single Vent Run (straight pipe)	60 ft (2") / 150 ft (3")			
Venting Materials	ULC-S636 PVC, CPVC, Polypropylene			
Manifold Controls (max. units)	6 Units ³			
Controls	Built-in digital display			
Power Supply	120V 60Hz			
Max. Power Consumption	85W (Normal use), 0.7 Amps 132W (Antifreeze), 1.1 Amps 3.5W (Standby), 0.03 Amps ⁴			
Gas Connection	3/4" NPT			
Hot Water Connection	3/4" NPT			
Cold Water Connection	3/4" NPT			
Condensate Connection	1/2" NPT			
Vent Connections Diameter	2" Band Connections (Adapter required to vent with 3" PVC from unit)			

All models are available in Natural Gas or Propane (LP). For Propane replace the N with P for LP model.

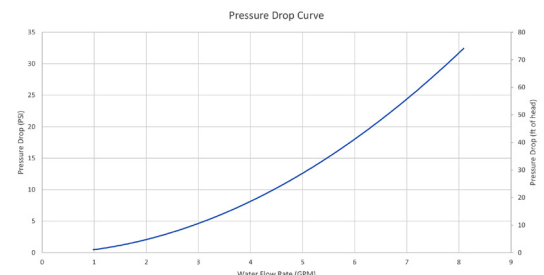
CRTGH Series Models

Indoor Models
 11,000-199,900 BTU/h
 Natural Gas and
 Liquid Propane Models*

*Swap P for N in model number for Liquid Propane model



Clearances	
Top / Bottom	12"
Front	1/2" ⁵
Sides	1/2"
Back / From Vent Pipe	0"



¹ Based on simultaneous showers using 2.5 GPM flow rate pre-mixed with cold water line. Flow rates vary depending on temperature of incoming cold water and water heater set temperature. Refer to flow rate curves for accurate sizing. ² For indoor application, this is the temperature of outdoor intake air. ³ Manifolds with standard RJ11 communication cables. ⁴ If anti freeze is on and combustion is on, total W will be 217W (85+132). ⁵ Recommended 24" clearance for service.



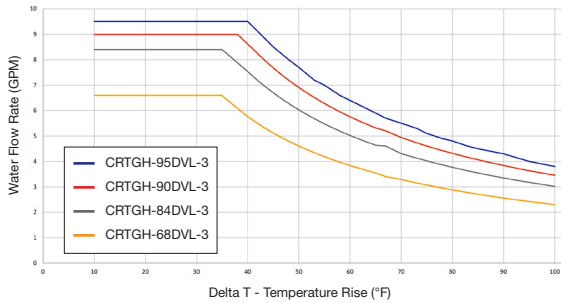


The new degree of comfort.®



Residential Gas
**CRTGH Series Tankless
 Water Heaters**

Water Heater Flow Rate Curves

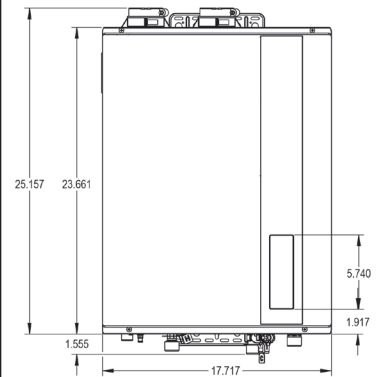


Water Flow (GPM)

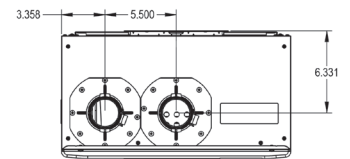
Model Number	Temperature Rise (°F)								
	35°	45°	50°	60°	67°	70°	80°	90°	100°
CRTGH-95DVL-3	9.5	8.5	7.7	6.4	5.7	5.5	4.8	4.3	3.8
CRTGH-90DVL-3	9.0	7.7	6.9	5.8	5.2	4.9	4.3	3.8	3.5
CRTGH-84DVL-3	8.4	6.7	6.0	5.0	4.6	4.3	3.8	3.3	3.0
CRTGH-68DVL-3	6.6	5.1	4.6	4.6	3.4	3.3	2.9	2.6	2.3

Above estimates are for sizing purposes only.

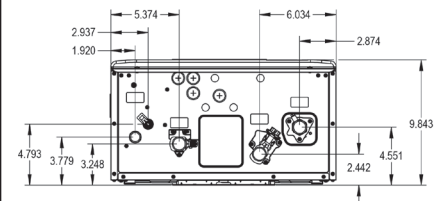
Dimensions



TOP VIEW



BOTTOM VIEW



Venting

SINGLE UNIT: MAX. EQUIVALENT VENT LENGTHS - STRAIGHT PIPE		
Number of 90° Elbows	Max Length 2" straight pipe	Max. length 3" straight pipe
0	60 ft. (18.3 m)	150 ft. (45.7 m)
1	54 ft. (16.5 m)	144 ft. (43.9 m)
2	48 ft. (14.6 m)	138 ft. (42.7 m)
3	42 ft. (12.8 m)	132 ft. (40.2 m)
4	36 ft. (11.0 m)	126 ft. (38.4 m)
5	30 ft. (9.1 m)	120 ft. (36.6 m)
6	24 ft. (7.3 m)	114 ft. (34.7 m)

	Equivalent Ft. of Elbows	
	2" Pipe	3" Pipe
90° Elbow	6 ft (1.83 m)	6 ft (1.83 m)
45° Elbow	3 ft. (0.9 m)	3 ft. (0.9 m)

Venting Materials Allowed: ULC-S636 PVC, CPVC, Polypropylene

Min. Vent Length Straight Pipe	
Number of 90° Elbows	Min. Length 2" 3" pipe
1	1.0 ft (0.3 m)

Hanging bracket included with water heater.

Parts & Accessories

For more information on Tankless parts and accessories, see the Parts and Accessories Catalog or call 866-720-2076.

In keeping with its policy of continuous progress and product improvement, Rheem reserves the right to make changes without notice.

Rheem Canada Ltd./Ltée • 125 Edgeware Road, Unit 1
 Brampton, Ontario L6Y 0P5 • www.rheem.ca



INTEGRATED HOME COMFORT