



**Russell**<sup>®</sup>  
By Rheem

PROJECT NAME \_\_\_\_\_  
LOCATION \_\_\_\_\_  
ARCHITECT \_\_\_\_\_  
ENGINEER \_\_\_\_\_  
CONTRACTOR \_\_\_\_\_  
SUBMITTED BY \_\_\_\_\_ DATE \_\_\_\_\_

**UNIT SUMMARY**

Quantity						
Unit Designation						
Model No.						
Total Cooling						
Sensible Cooling						
Air Ent. Evaporator						
Air Lvg. Evaporator						
Heating Input						
Heating Output						
CFM/ESP						
EER/SEER						
Electrical						
Minimum Ampacity						
Min.-Max. Breaker						
Net Unit Weight						
Accessory						
Catalog Form Number						

**ACCESSORIES:**

**NOTES:**

# Vantix™ Line S801T Ultra Low NOx Gas Furnaces

## Heating Stages: Single Stage

### Input Rates: 50-100 kBTU [14.7-29.3 kW]

JOB NAME \_\_\_\_\_ LOCATION \_\_\_\_\_  
 CONTRACTOR \_\_\_\_\_ ORDER NO. \_\_\_\_\_  
 ENGINEER \_\_\_\_\_ UNIT MODEL NO. \_\_\_\_\_  
 SUBMITTED FOR  APPROVAL  RECORD COIL MODEL NO. \_\_\_\_\_  
 DATE \_\_\_\_\_ AIR HANDLER MODEL NO. \_\_\_\_\_

#### UNIT DATA

##### HEATING PERFORMANCE

TOTAL CAPACITY INPUT\* ..... \_\_\_\_\_ MBH [kW]  
 TOTAL CAPACITY OUTPUT\* ..... \_\_\_\_\_ MBH [kW]  
 DESIGN TEMP. RISE..... \_\_\_\_\_ °F [°C] DB  
 AFUE ..... \_\_\_\_\_ %  
 CALIFORNIA SEASONAL EFFICIENCY ..... \_\_\_\_\_ %  
 (\*uses blower motor heat)

##### SUPPLY AIR BLOWER PERFORMANCE

TOTAL AIR SUPPLY..... \_\_\_\_\_ CFM [L/s]  
 TOTAL RESISTANCE EXTERNAL TO UNIT..... \_\_\_\_\_ IWG  
 BLOWER SPEED..... \_\_\_\_\_ RPM  
 POWER OUTPUT REQUIREMENT ..... \_\_\_\_\_ BHP  
 MOTOR RATING ..... \_\_\_\_\_ HP [W]  
 POWER INPUT REQUIREMENT ..... \_\_\_\_\_ kW

##### ELECTRICAL DATA

POWER SUPPLY..... \_\_\_\_\_ Hz  
 TOTAL UNIT AMPACITY..... \_\_\_\_\_ AMPS  
 MINIMUM WIRE SIZE..... \_\_\_\_\_ AWG  
 MAXIMUM OVERCURRENT DEVICE FUSES/HACR BREAKER ..... \_\_\_\_\_ AMPS

#### FEATURES

- **Ultra Low Greenhouse Gas Emissions:** Certified unit meets 14ng/j NOx emission standard – reducing NOx emissions by 65%
- **Diagnostics:** 7 Segment LED all units
- **Ignition System:** Proven Direct Spark Ignition (DSI) for reliability and longevity
- **Low profile, 34-inch Cabinet:** Makes our furnaces ideal for space-constrained installations
- **Hemmed Cabinet & Door Edges and Quarter-Turn Door Fasteners:** Allows for safe, tool-less access and serviceability
- **Removable Heat Exchanger:** Aluminized steel construction provides maximum corrosion resistance and thermal fatigue reliability
- **Blower Shelf Design:** Ensures serviceability in all furnace orientations
- **Cabinet Air Leakage** less than 2%: at 1 inch H<sub>2</sub>O when tested in accordance with ASHRAE Standard 193

#### FIELD INSTALLED ACCESSORIES

- External Bottom Filter Rack RXGF-CB .....
- External Side Filter Rack RXGF-CD .....
- Indoor Coil Casing RXBC-D17A1 .....
- Indoor Coil Casing RXBC-D21A1 .....
- Indoor Coil Casing RXBC-D21B1 .....
- Solid Bottom Kit RXGB-D17 .....
- Solid Bottom Kit RXGB-D21 .....
- 4" Flue Adapter RXGW-C01 .....



**WARNING**  
 THIS FURNACE IS NOT APPROVED  
 OR RECOMMENDED FOR INSTALLATION  
 ON ITS BACK, WITH ACCESS DOORS  
 FACING UPWARDS.

**Upflow Application**

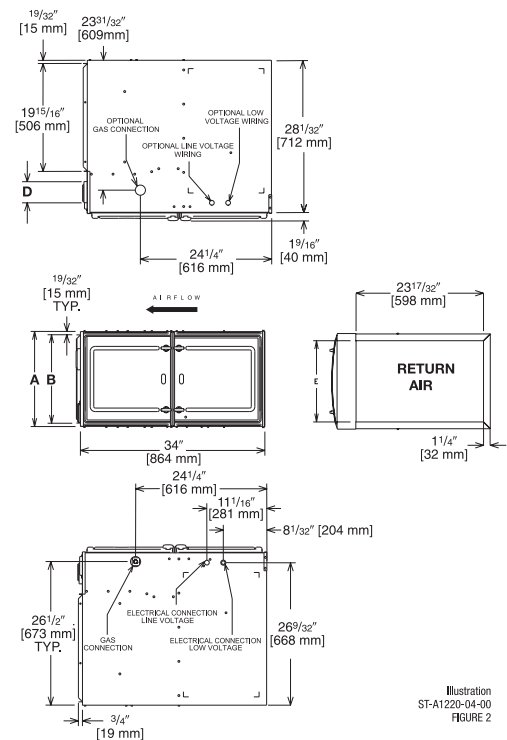
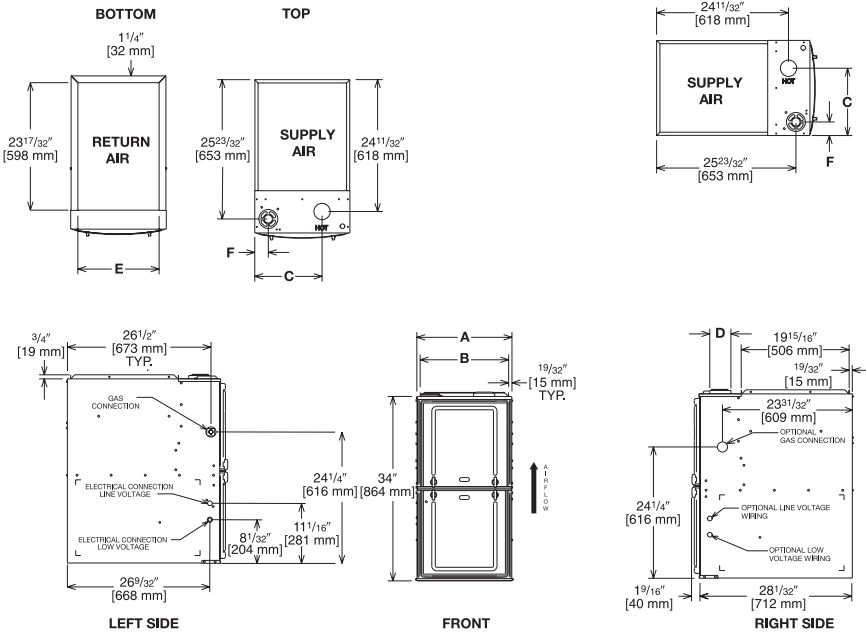


Illustration ST-A1220-04-00 FIGURE 2

Illustration ST-A1220-04-00 FIGURE 1

**Dimensional Data: Upflow Model**

MODEL S801T ULN	A	B	C	D	E	F	MINIMUM CLEARANCE (IN.) [mm]						SHIP WGTs. (LBS.) [kg]
							LEFT SIDE	RIGHT SIDE	BACK	TOP	FRONT	VENT	
050/070	17 1/2 [445]	16 11/32 [415]	12 3/8 [314]	①	15 [381]	2 1/2 [64]	0	3 [76] ②	0	1 [25]	3 [76]	6 [152] ③	125 [57]
100	21 [533]	19 27/32 [504]	14 1/8 [359]	①	18 1/2 [470]	2 1/2 [64]	0	0	0	1 [25]	3 [76]	6 [152] ③	140 [64]

**Dimensional Data: Horizontal Model**

MODEL S801T ULN	A	B	C	D	E	F	MINIMUM CLEARANCE (IN.) [mm]						SHIP WGTs. (LBS.) [kg]
							SUPPLY AIR SIDE	RETURN AIR SIDE	BACK	TOP	FRONT	VENT	
050/070	17 1/2 [445]	16 11/32 [415]	12 3/8 [314]	①	15 [381]	2 1/2 [64]	3 [76] ②	3 [76] ②	0	1 [25]	3 [76]	6 [152] ③	125 [57]
100	21 [533]	19 27/32 [504]	14 1/8 [359]	①	18 1/2 [470]	2 1/2 [64]	0	0	0	1 [25]	3 [76]	6 [152] ③	140 [64]

NOTES: ① May require a 3" [76 mm] to 4" [102 mm] or 3" [76 mm] to 5" [127 mm] adapter.  
 ② May be 0" [0 mm] with type B vent.  
 ③ May be 1" [25 mm] with type B vent.

[ ] Designates Metric Conversions

Furnaces must be vented in accordance with the National Fuel Gas Code, ANSI Z223.1 and in accordance with local codes.

Before proceeding with installation, refer to installation instructions packaged with each model, as well as complying with all Federal, State, Provincial, and Local codes, regulations, and practices.

5600 Old Greenwood Road  
 Fort Smith, Arkansas 72908