



PROJECT NAME \_\_\_\_\_  
LOCATION \_\_\_\_\_  
ARCHITECT \_\_\_\_\_  
ENGINEER \_\_\_\_\_  
CONTRACTOR \_\_\_\_\_  
SUBMITTED BY \_\_\_\_\_ DATE \_\_\_\_\_

**UNIT SUMMARY**

Quantity						
Unit Designation						
Model No.						
Total Cooling						
Sensible Cooling						
Air Ent. Evaporator						
Air Lvg. Evaporator						
Heating Input						
Heating Output						
CFM/ESP						
EER/SEER						
Electrical						
Minimum Ampacity						
Min.-Max. Breaker						
Net Unit Weight						
Accessory						
Catalog Form Number						

**ACCESSORIES:**

**NOTES:**

# RHPBZR Endeavor® Line iR Packaged Dedicated Horizontal Heat Pumps Nominal Sizes: 2, 3, and 5 Tons [7.0 to 17.6 kW]

JOB NAME \_\_\_\_\_ LOCATION \_\_\_\_\_  
 CONTRACTOR \_\_\_\_\_ ORDER NO. \_\_\_\_\_  
 ENGINEER \_\_\_\_\_ UNIT MODEL NO. \_\_\_\_\_  
 SUBMITTED FOR  APPROVAL  RECORD COIL MODEL NO. \_\_\_\_\_  
 DATE \_\_\_\_\_ AIR HANDLER MODEL NO. \_\_\_\_\_

### UNIT DATA

#### COOLING PERFORMANCE

TOTAL CAPACITY\* ..... MBH  
 SENSIBLE CAPACITY\* ..... MBH  
 OUTDOOR DESIGN TEMP.. °F [°C] DB/WB  
 TOTAL SUPPLY AIR..... CFM [L/s]  
 TEMP. OF AIR ENTERING  
 EVAPORATOR COIL..... °F [°C] DB/WB  
 POWER INPUT REQUIREMENT ..... kW  
 SEER RATING.....  
(\*uses blower motor heat)

#### HEATING PERFORMANCE

GAS HEAT INPUT CAPACITY ..... MBH  
 HEAT PUMP HEATING PERFORMANCE  
 CAPACITY @ 47°F..... MBH  
 CAPACITY @ 17°F..... MBH  
 COEFFICIENT OF PERFORMANCE  
 @ 47°F..... C.O.P.  
 @ 17°F..... C.O.P.  
 ELECTRIC HEAT CAPACITY..... kW  
 H.S.P.F. ....

#### SUPPLY AIR BLOWER PERFORMANCE

TOTAL AIR SUPPLY..... CFM [L/s]  
 TOTAL RESISTANCE EXTERNAL  
 TO UNIT..... IWG  
 BLOWER SPEED..... RPM  
 POWER OUTPUT REQUIREMENT ..... BHP  
 MOTOR RATING ..... HP [W]  
 POWER INPUT REQUIREMENT ..... kW

#### ELECTRICAL DATA

POWER SUPPLY..... Hz  
 TOTAL UNIT AMPACITY..... AMPS  
 MINIMUM WIRE SIZE..... AWG  
 MAXIMUM OVERCURRENT DEVICE  
 FUSES/HACR BREAKER ..... AMPS

#### TOTAL UNIT WEIGHT

TOTAL OPERATING WEIGHT..... LBS [kg]  
(including field-installed accessories)

#### CLEARANCES

SIDE "A"	18"	[457 mm]
SIDE "B"	0"	
SIDE "C"	12"	[305 mm]
SIDE "D"	30"	[762 mm]
ABOVE UNIT	60"	[1524 mm]

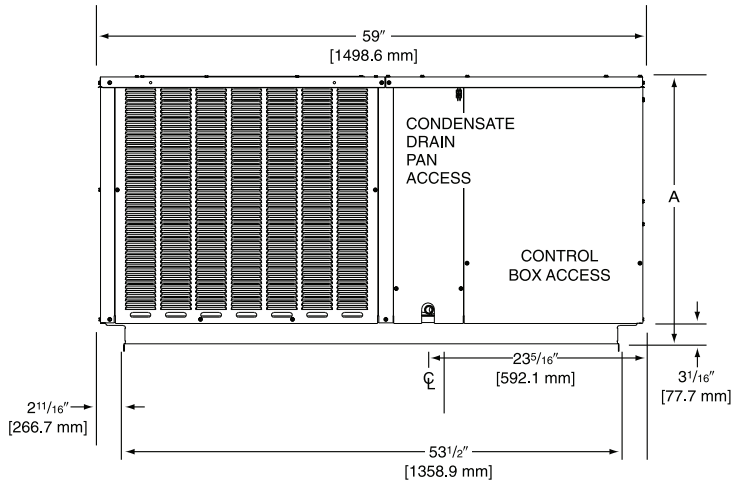
### FEATURES

- Base rails protect the base from ground moisture and provides air circulation around the unit
- Easy access to internal components
- Large, easy-to-access control box
- 100% scroll compressor technology
- Two-stage scroll compressor
- Low pressure control standard on all models
- High pressure control standard on -060 models



# RHPBZR

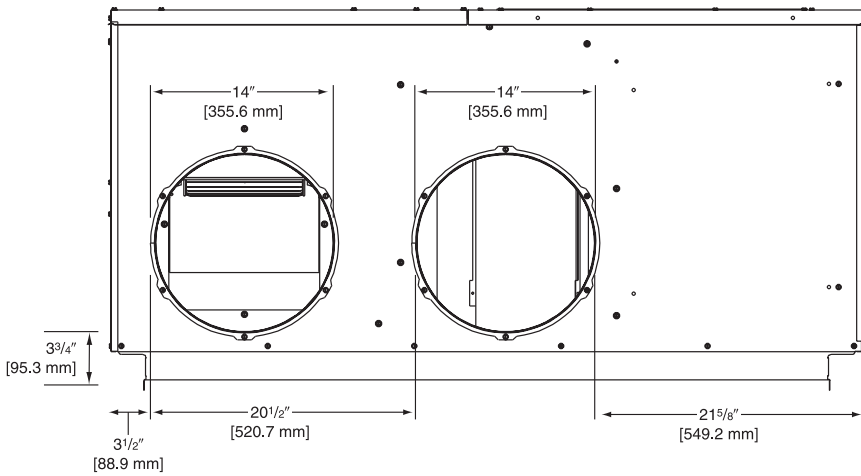
## FRONT VIEW



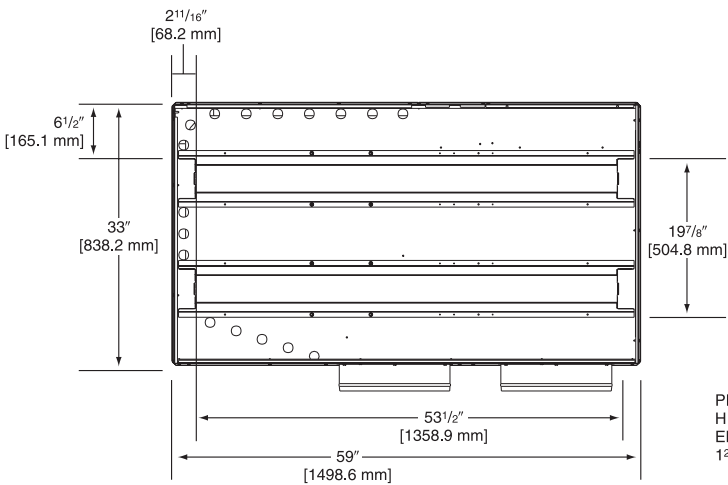
## DIMENSIONS

Model	Height "A"
024, 030	29 1/8"
036, 042, 060	37 1/8"

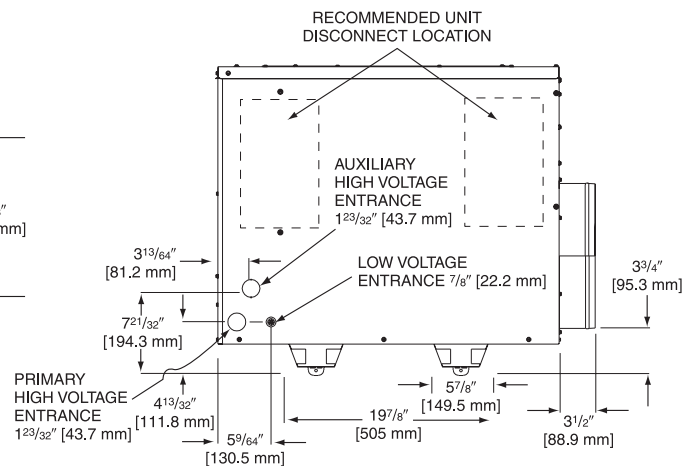
## REAR VIEW



## BOTTOM VIEW



## ELECTRICAL CONNECTIONS



[ ] Designates Metric Conversions

Before proceeding with installation, refer to installation instructions packaged with each model, as well as complying with all Federal, State, Provincial, and Local codes, regulations, and practices.

5600 Old Greenwood Road  
Fort Smith, Arkansas 72908

Friedrich trademarks are owned by Friedrich Air Conditioning LLC.  
Rheem and other trademarks are owned by Rheem Manufacturing Company.

In keeping with its policy of continuous progress and product improvement, Rheem reserves the right to make changes without notice.