

EcoSmart™ SmartBoost® Tankless Electric Water Heaters Delivers up to 45%* More Hot Water

SmartBoost conveniently installs on the tank outlet water connection with the option to mount on a nearby wall. It's a smart way to deliver more hot water when a tank alone can't keep up with the demand.

PERFORMANCE FEATURES

- Increases deliverable hot water up to 45%*
- **Saves Space** – compact design eliminates the need for a second water heater
- **High Efficiency** – UEF up to .96 and advanced self-modulating technology only consumes the power needed to satisfy hot water demand
- Easy to read digital display shows the inlet and outlet water temperature, operation status, water flow (GPM) and electricity load percentage
- Control dial sets the activation and maximum temperature in 1-degree increments ranging from 80°F - 140°F (26°C - 60°C)
- Vacation mode** turns tank water heater off while the home is unoccupied, saving energy
- Eco mode** allows user to schedule SmartBoost operation and take advantage of off-peak utility rates saving money on energy bills
- Freeze Protect** overrides vacation and eco modes if the ambient temperature drops below 60°F (15°C) to prevent damage
- Includes 3/4" push-to-connect outlet fitting and 3/4" NPT female fitting for installation onto the tank

*According to testing by an independent test agency, this product can increase hot water delivery by as much as 45% when tested to deliver hot water to a 2 GPM shower.

**Does not apply when used with a gas tank

WARRANTY

- Limited Lifetime Warranty – product registration required

See Use and Care Manual for complete information.



These products meet a stringent set of our company's internally defined sustainability standards



TANKLESS ELECTRIC SPECIFICATIONS & MINIMUM REQUIREMENTS

Model #	ECOTB240 (240V)	ECOTB240 (208V)
Power (kW)	7.2	5.4
Voltage	240	208
Total Unit Amperage (AMPS)	30 A Max	26 A
Required Number of Dedicated Circuit Breakers	30 A Double Pole	
Phase	1	
Uniform Energy Factor (UEF)	0.96	
Required Wire (75°C Insulation)	10 AWG*	
Water Connections	Inlet – 3/4" NPT female to 1/2" compression (included) Outlet – 1/2" compression to 3/4" push-to-connect female to pipe (included)	
Dimensions	8"H x 11.5"W x 3.75"D	
Weight	5.4 lbs.	
Operating Pressure	Minimum: 35 PSI Maximum: 150 PSI	
Flow Activation Rate (GPM)	0.3 GPM	

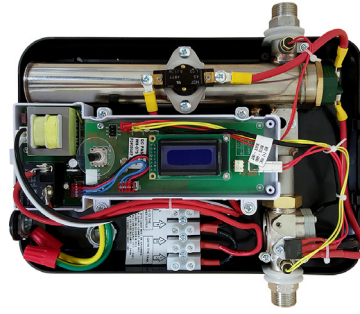
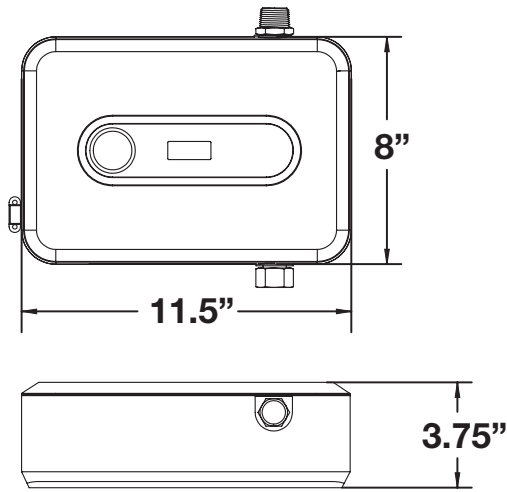
NOTE: See Use and Care Manual for specifications and minimum requirements for installation on gas tanks.

*AWG - American Wire Gauge

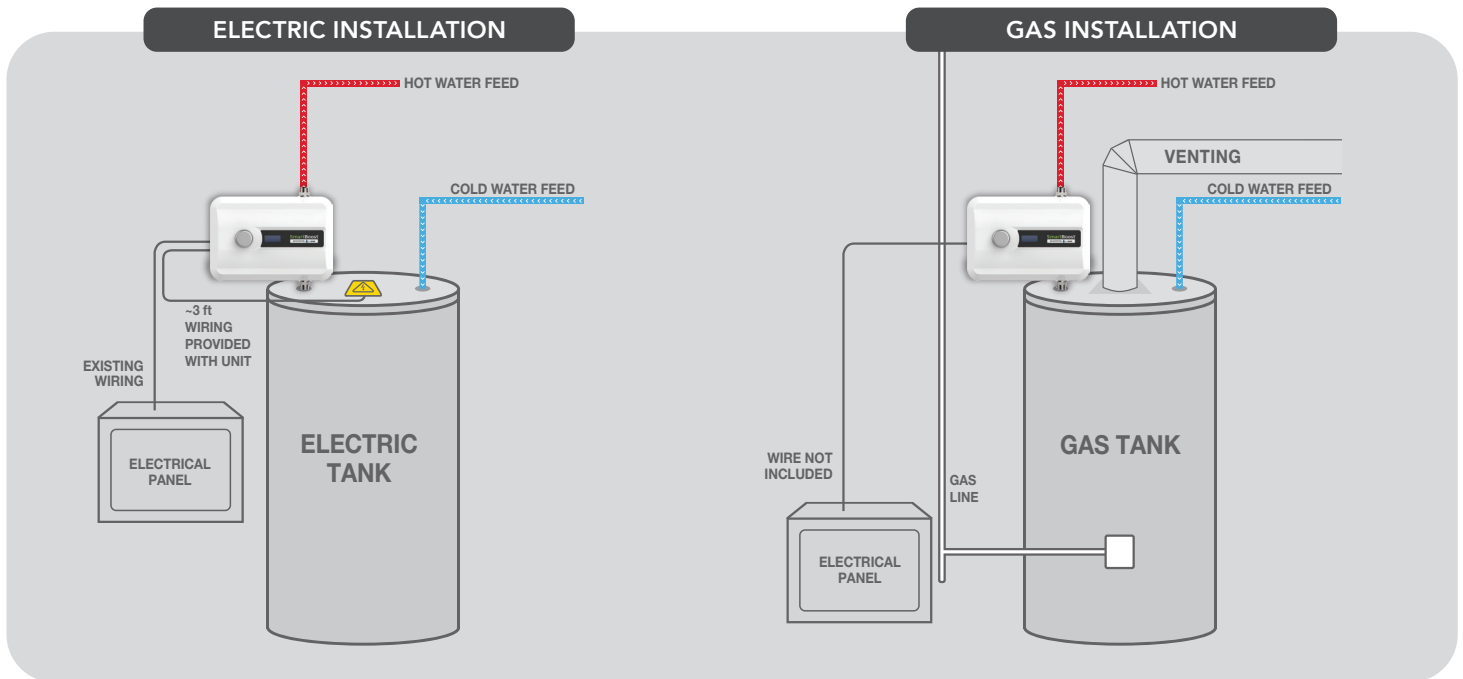


Tested and certified by the Water Quality Association against NSF/ANSI 372 for lead free compliance.

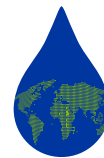
SmartBoost ECOTB240



INSTALL ON EXISTING ELECTRIC OR GAS TANK HOT WATER OUTLET



- Unit may be wall mounted if space over the tank is limited.
NOTE: Additional wiring may be necessary.



ecosmart[®]
TANKLESS WATER HEATERS

Sharing the Warmth™