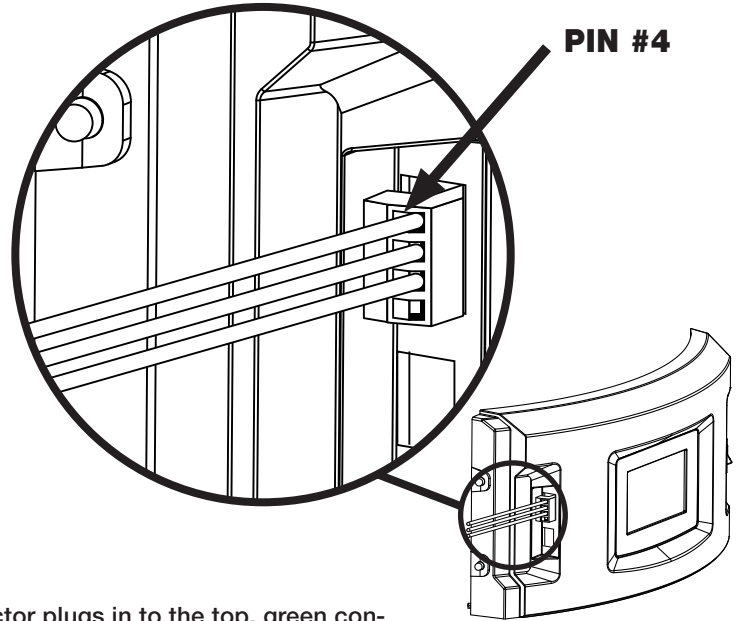


BACnet Quick Start Guide

Note: This water heater is compatible with BACnet RS-485 physical layer only.

Pinout:

Pin Number	Description
1	Ground (Optional)
2	RS-485 Minus (D-)
3	RS-485 Plus (D+)
4	Common (100Ω resistor to ground)



Instructions:

1. Wire up the BACnet connections per the given pinout
2. Plug in the connector to the heater as shown. The connector plugs in to the top, green connector to the left of the display. When connected properly, the screws will face the back of the water heater, and pin 4 will be to the top.
3. After connecting, select “Settings” and, then, “bacnet” on the display to modify the BACnet settings. See the below details on configuring the BACnet settings.

BACnet Settings Details:

BACnet Setting	Default Value	Additional Information
BACnet MAC Address	1	Range: 0 to 127 for MS/TP Master and 0 to 254 for MS/TP Slave When possible, 0 should be avoided. Must be unique among all devices on a given BACnet network segment.
BACnet Baud Rate	38.4 kbps	kbps: kilo-bits per second Options: 9.6 kbps, 19.2 kbps, 38.4 kbps, 57.6 kbps, 76.8 kbps, or 115.2 kbps
BACnet Config	MS/TP Master	Options: MS/TP Master or MS/TP Slave
BACnet Max Master Address	127	Only applicable if BACnet Config is set to MS/TP Master. Range: 0 through 127
BACnet Device Instance	4,194,303	Range: 0 through 4,194,303 The default value indicates unassigned instance, and should not be used. Instance must be assigned for use. Must be unique across devices on all BACnet network segments of the BACnet internetwork.

Technical Support:

In The U.S.A.:
Rheem Manufacturing Co., Water Heater Division
ATTN: Technical Service
800 Interstate Park Drive
Montgomery, AL 36109
Phone: 1-800-432-8373

In Canada:
Rheem Canada, Ltd. / Ltée
125 Edgeware Road, Unit 1
Brampton, ON L6Y 0P5
Phone: 1-800-268-6966