



Power Direct Vent Water Heaters

Professional Achiever Plus® Power Direct Vent gas water heaters are a perfect choice for tight construction and indoor air quality

Efficiency

- .65 UEF

Performance

- FHR: 111 gallons for natural and 81 gallons for LP gas
- Recovery: 47.5 to 65.7 GPH at a 90° F rise, based on model

Self-Diagnostic System

- Electronic gas control for improved monitoring and service



Low Emissions

- Eco-friendly burner, low NOx design

Features

- Two pipe system: one pipe pulls in outside air for combustion and the other exhausts combustion gases
- 120 VAC powered blower
- New whisper quiet blower

Flammable Vapor Detection System

- Protective control system that disables the heater in the presence of flammable vapor accumulation

Flexible Venting Options

- Long venting lengths up to 100 feet
- PVC, ABS, or CPVC vent and air inlet options
- Vertical or horizontal vent and air inlet system configurations
- 3" and 4" Concentric vent kits available

Longer Life

- Premium grade anode rod provides long-lasting tank protection

High Altitude Compliant

- Models are certified for applications up to 10,100 feet above sea level

Plus...

- Enhanced flow brass drain valve
- Temperature and pressure relief valve included
- Low lead compliant
- Durable silicon nitride igniter (HSI)
- Side taps for space heating
- EverKleen® patented system fights sediment build-up
- Standard replacement parts

Warranty

- 8-Year limited tank and parts warranty*
- With ProtectionPlus™ the 8-year limited tank warranty becomes 12-year

*See Residential Warranty Certificate for complete information

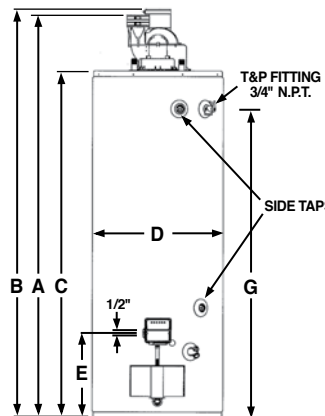
Units meet or exceed ANSI requirements and have been tested according to D.O.E. procedures. Units meet or exceed the energy efficiency requirements of NAECA, ASHRAE standard 90, ICC Code and all state energy efficiency performance criteria.



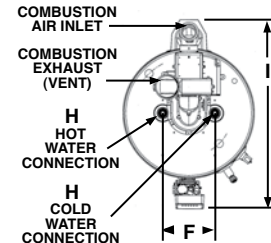
Professional Achiever Plus Power Direct Vent
50-Gallon Capacities
Up to 65,000 BTU/h
Natural and LP Gas



LEED Point = 1



See venting information on back.



DESCRIPTION				FEATURES						ROUGHING IN DIMENSIONS (SHOWN IN INCHES)											ENERGY INFO.	
TYPE	NOMINAL GALLON CAP.	RATED GALLON CAP.	MODEL NUMBER	GAS INPUT IN THOUS. BTU/H		RECOVERY IN G.P.H. 90° F RISE		FIRST HOUR RATING (GALLONS)		HEIGHT TO TOP OF VENT A	HEIGHT TO TOP OF AIR INLET B	TANK HEIGHT C	DIAM. D	HT. TO GAS CONN. E	WATER CONN. CNTR. F	HT. TO SIDE T&P VALVE G	WATER CONN. SIZE H	FRONT TO BACK I	SHIP WT. (LBS)	UNIFORM ENERGY FACTOR (UEF)		
				NAT.	LP	NAT.	LP	NAT.	LP													
Tall	50	48	PRO+G50-65N RU62 PDV	65	-	65.7	-	111	-	67-5/8	68-3/8	59-3/8	21-3/4	14	8	52-3/4	3/4	31-1/2	210	0.65		
Tall	50	48	PRO+G50-47P RU62 PDV	-	47	-	47.5	-	81	67-5/8	68-3/8	59-3/8	21-3/4	14	8	52-3/4	3/4	31-1/2	210	0.65		

Uniform Energy Factor and rated gallon capacity based on Department of Energy (DOE) requirements.

Power Direct Vent Water Heaters



Vent and Combustion Air Inlet System

MODEL NUMBER	VENT & COMBUSTION AIR-INLET SYSTEM DIAMETER	MIN. ALLOWED EQUIVALENT VENT & COMBUSTION AIR-INLET SYSTEM LENGTHS (EACH PIPE RUN)		MAX. ALLOWED EQUIVALENT VENT & COMBUSTION AIR-INLET SYSTEM LENGTHS (EACH PIPE RUN)		VENT AND COMBUSTION AIR-INLET SYSTEM TERMINATION(S)	
	INCHES	FEET	METERS	FEET	METERS		
FROM SEA LEVEL TO 2,000 FT. (609 M) ABOVE SEA LEVEL							
PRO+G50-65N RU62 PDV AND PRO+G50-47P RU62 PDV	3	7	2.1	50	15.2	90° Elbows	-
	3	7	2.1	40	12.2	-	Concentric*
	3	7	2.1	40	12.2	-	Concentric**
	4	7	2.1	100	30.5	90° Elbows	-
	4	7	2.1	90	27.4	-	Concentric*
	4	7	2.1	90	27.4	-	Concentric**
FROM 2,000 FT. (609 M) THROUGH 5,400 FT. (1,646 M) ABOVE SEA LEVEL							
PRO+G50-65N RU62 PDV AND PRO+G50-47P RU62 PDV	3	7	2.1	50	15.2	90° Elbows	-
	3	7	2.1	40	12.2	-	Concentric*
	3	7	2.1	40	12.2	-	Concentric**
	4	7	2.1	100	30.5	90° Elbows	-
	4	7	2.1	90	27.4	-	Concentric*
	4	7	2.1	90	27.4	-	Concentric**
FROM 6,000 FT. (1,829 M) ABOVE SEA LEVEL THROUGH 7,800 FT. (2,377 M) ABOVE SEA LEVEL							
PRO+G50-65N RU62 PDV AND PRO+G50-47P RU62 PDV	3	7	2.1	50	15.2	90° Elbows	-
	3	7	2.1	40	12.2	-	Concentric*
	3	7	2.1	40	12.2	-	Concentric**
	4	7	2.1	100	30.5	90° Elbows	-
	4	7	2.1	90	27.4	-	Concentric*
	4	7	2.1	90	27.4	-	Concentric**
FROM 7,701 FT. (2,347 M) ABOVE SEA LEVEL THROUGH 10,100 FT. (3,078 M) ABOVE SEA LEVEL							
PRO+G50-65N RU62 PDV AND PRO+G50-47P RU62 PDV	3	7	2.1	25	7.6	90° Elbows	-
	3	7	2.1	20	6.1	-	Concentric*
	3	7	2.1	20	6.1	-	Concentric**
	4	7	2.1	50	15.2	90° Elbows	-
	4	7	2.1	45	13.7	-	Concentric*
	4	7	2.1	45	13.7	-	Concentric**

In keeping with its policy of continuous progress and product improvement, Ruud reserves the right to make changes without notice.