



SUBMITTAL U36AJHUAH

Inverter Driven Heat Pump

36,000 BTU Multi Position AHU

Job Name _____
 Location _____
 Engineer _____
 Submitted To _____
 Submitted By _____
 Reference _____

Date _____
 Approval _____
 Construction _____
 Unit No _____
 Drawing No _____

PRODUCT FEATURES

- Up to 1" WC
- Two wire Control Compatible
- Heating operation rated down to -15°F outdoor temperature
- Quiet Operation (as low as 24 decibels)
- Long Lineset Lengths (up to 246')
- All Aluminium Coil



MODEL NUMBERS

Indoor Unit	RHMVZ3621MNAUAJ
Outdoor Unit	RD16AZ36AJHUA
System	U36AJHUAH

EFFICIENCIES

SEER	17.3	
SEER 2	17.1	
EER	11.5	
EER 2	11	
HSPF	11	
HSPF 2	10.4	
COP	kW/kW	3.9
COP	Btu/hW	13.3
COP2	kW/kW	3.8
COP2	Btu/hW	12.8

OUTDOOR TEMPERATURE OPERATION RANGE

Cooling	*F(°C)	-5 to 115 (-21 to 46)
Heating		-15 to 75 (-26 to 24)

CAPACITIES

Cooling	Rated	Btu/h	33000
	Min.-Max.		13,000-39,000
Heating	Rated	Btu/h	38000
	Min.-Max.		15,000-52,000

LINESET REQUIREMENTS

Connection Method	Flare		
Liquid	in (mm)	Ø 3/8 (Ø 9.52)	
Gas		Ø 5/8 (Ø 15.88)	
Pre-charge length		98 (30)	
Minimum Length	ft (m)	16 (5)	
Max. length		246 (75)	
Max. height difference		98 (30)	

INDOOR DIMENSIONS & WEIGHT

Net (H x W x D)	in (mm)	57 x 21 x 21-11/16
Gross (H x W x D)		57-1/8 x 23 x 26-1/2
Net Weight	lb (kg)	132 (60.0)
Gross Weight		146 (66.0)

OUTDOOR DIMENSIONS & WEIGHT

Net (H x W x D)	in (mm)	52-1/2 x 38-3/16 x 14-9/16
Gross (H x W x D)		59-5/16 x 41-7/8 x 18-13/16 (1,506 x 1,064 x 478)
Net Weight	lb (kg)	236 (107)
Gross Weight		260 (118)

Warranty Information

7 Year Compressor, 5 Year Parts out-of-the-box Warranty

10 Year Compressor, 10 Year Parts Warranty when registered within 60 days of installation in a residence

ACCESSORIES

RXRNRUZ -Series	Wired Remote Controller
RXRSRY	Simple Remote Controller
RXRHRV	Simple Remote Controller
RXLBTUM	IR Receiver Kit with Wireless Remote Controller
RXXSZX	Remote Sensor Unit
RXXWZXZG	External Connect Kit
RXXCSX	External Input and Output PCB
RXGXRA	External Input and Output PCB Box
RXXWZXZJ	Wire Kit
RXTTRXZ1	Thermostat Converter



RUUD
 P.O. Box 17010
 Fort Smith, AR 72917
 (800) 432-8373 Phone
 www.ruud.com

Due to continuous product improvements, specifications are subject to change without notice. Please log in to the Fujitsu Portal for the most up-to-date documentation <https://connect.fujitsugeneral.com>

Effective Date: 2/7/2023



SUBMITTAL U36AJHUAH

Inverter Driven Heat Pump

36,000 BTU Multi Position AHU

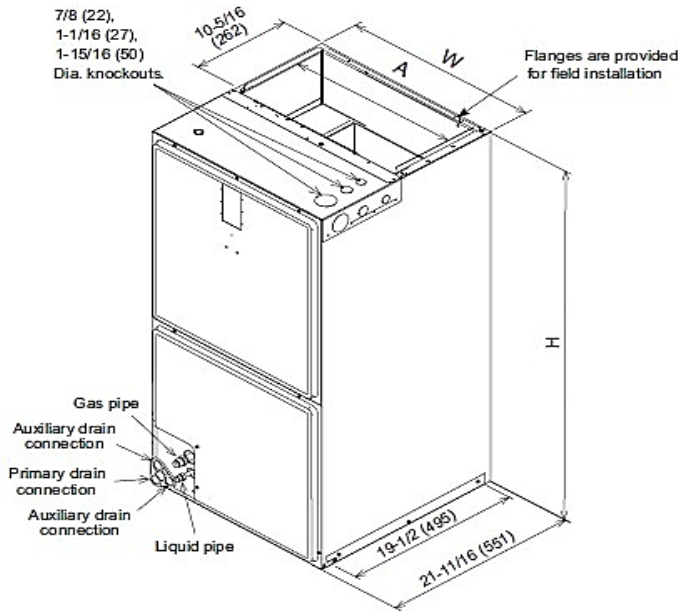
FAN DATA			
Indoor Unit Airflow rate	Cooling	HIGH	1,200 (2,039)
		MED	740 (1,257)
		LOW	590 (1,002)
		QUIET	490 (833)
	Heating	HIGH	1,200 (2,039)
		MED	740 (1,257)
		LOW	590 (1,002)
		QUIET	490 (833)
Outdoor Unit Airflow rate	Cooling	3,767 (6,400)	
	Heating	3,649 (6,200)	
SOUND PRESSURE			
Indoor Unit	Cooling	HIGH	41
		MED	30
		LOW	27
		QUIET	24
	Heating	HIGH	40
		MED	35
		LOW	28
		QUIET	26
Outdoor Unit	Cooling	52	
	Heating	53	
REFRIGERANT			
Type			R410A
Charge	lb oz	10 lb 9 oz	
	g	4800	
Oil Type	POE (RB68)		

ELECTRICAL SPECIFICATIONS			
Voltage/Frequency/Phase		208/230 V ~ 60 Hz	
Available Voltage Range		187–253 V	
Current	Cooling	Rated	13.4
	Heating	Rated	13.2
Maximum Operating Current	Cooling	A	23.9
	Heating		32.9
Starting Current		12.8	
MCA		38.7	
Maximum Circuit Breaker		40	
Input Power	Cooling	Rated	kW
		Min.–Max.	
	Heating	Rated	
Power Factor	Cooling	%	97.3
	Heating		97.5
OTHER			
Moisture removal		pints/h (L/h)	6.6 (3.1)
Energy Star		No	
Drain hose	Material		LDPE
	Tip diameter	in (mm)	Ø1/2 (13.0) [I.D.], Ø5/8 to Ø11/16 (16.0 to 16.7) [O.D.]
Operation Range	Cooling	°F (°C)	64 to 90 (18 to 32)
	Heating	%RH	–
Static pressure range		inWG (Pa)	0.08 to 1 (20 to 250)

DIMENSIONS:

Indoor Unit

Units: In. (mm)



Model	A (Supply duct)	W (Unit width)	H (Unit height)
RHMVZ3621MNAUAJ	19-1/2 (495)	21 (533)	57 (1,448)
Return Opening Dimensions			
Width (in)	Depth (in)		
19 3/8	19 3/4		



RUUD
 P.O. Box 17010
 Fort Smith, AR 72917
 (800) 432-8373 Phone
 www.ruud.com

Due to continuous product improvements, specifications are subject to change without notice. Please log in to the Fujitsu Portal for the most up-to-date documentation <https://connect.fujitsugeneral.com>



SUBMITTAL U36AJHUAH

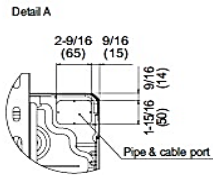
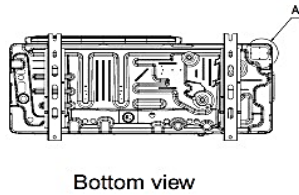
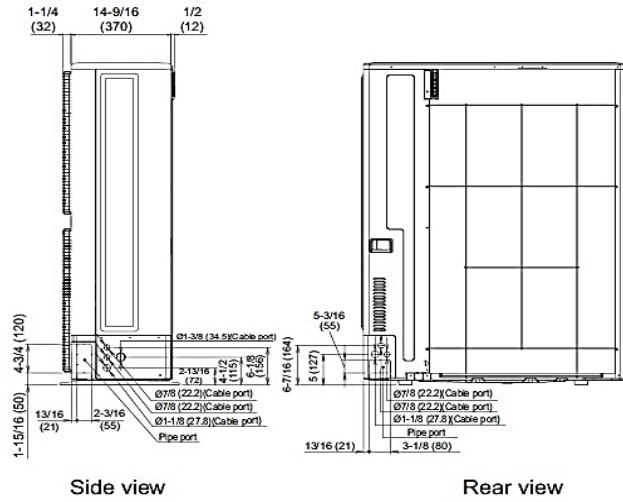
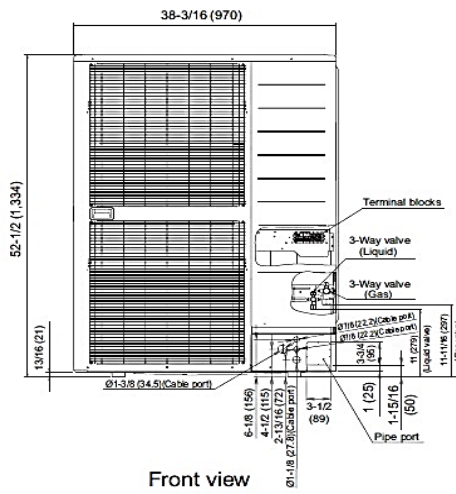
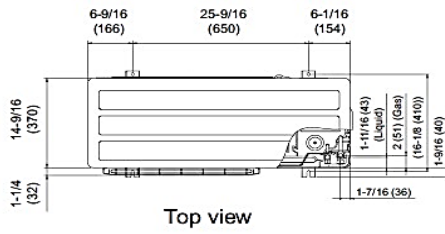
Inverter Driven Heat Pump

36,000 BTU Multi Position AHU

DIMENSIONS

Units: In. (mm)

Outdoor Unit



Ruud
P.O. Box 17010
Fort Smith, AR 72917
(800) 432-8373 Phone
www.ruud.com

Due to continuous product improvements, specifications are subject to change without notice. Please log in to the Fujitsu Portal for the most up-to-date documentation <https://connect.fujitsugeneral.com>