



Ruud® RUTG Series High Efficiency Non-Condensing Tankless Gas Water Heaters

Easy Installation

- **Industry Leading!** 43' vent run capability
- Enhanced design up to 10% smaller to fit in even more places than before
- Enhanced design up to 22% lighter making one-person installs even easier

Ready for Retrofits

- **Industry Best!** 1/2" side to side clearance allows you to safely work in spaces the competition can't
- 1/2" Gas line compatibility up to 24 ft (subject to local code)

- Universal Venting Compatibility with UBBINK, Metal Fab, and Rainbow venting for easier tankless to tankless replacements

Key Features

- **Ruud® Exclusive!** Hot-start Programming™ ensures the unit is in a ready state between back-to-back usage, minimizing any cold water bursts
- Built-in EcoNet® Wi-Fi technology for direct control from your device (on select models)
- LeakGuard® – All-inclusive leak detection and prevention system that detects any leak that comes from the unit (on indoor Wi-Fi models)



Indoor DV

Outdoor

Specifications

Ruud Model Number		INDOOR			OUTDOOR		
		RUTG-70DVLN-3	RUTG-84DVLN-3	RUTG-95DVLN-3 95DVELN-3 (Wi-Fi Model)	RUTG-70XLN-3	RUTG-84XLN-3	RUTG-95XLN-3 95XELN-3 (Wi-Fi Model)
Gas Input Rate (BTU/h)	MAX	160,000	180,000	199,900	160,000	180,000	199,900
	MIN	11,000	11,000	11,000	11,000	11,000	11,000
Uniform Energy Factor (UEF)		0.82					
Hot Water Flow Rate Capacity – Gallons Per Minute (GPM)	MAX (35°F)	7.0	8.4	9.5	7.0	8.4	9.5
	45°F Rise	6.0	6.7	7.4	6.0	6.7	7.4
	67°F Rise	4.1	4.5	5.0	4.1	4.5	5.0
Number of Bathrooms ¹		2-3	3	3-4	2-3	3	3-4
Temp. Range		100°F - 140°F					
Temp. Setting from Factory		120°F					
High Temp. Upgrade Available		No					
Freeze Protection		-30°F Air Intake ² , -4°F Ambient					
Heat Exchanger Material		Primary: Copper					
Minimum Activation Flow		0.4 GPM					
Minimum Continuous Flow		0.26 GPM					
Maximum Altitude		7,800 ft.					
Ultra Low NOx		Meets 14 ng/J NOx requirements - SCAQMD Rule 1146.2 compliant					
Warranty		15 Year Heat Exchanger 5-Year Parts 1-Year Labor					
Height		24.2"			20.75"		
Width		13.5"			13.5"		
Depth		10.27"			9.4"		
Weight (Lbs.)		46.5			42		
Venting Diam. Allowed		3" by 5" CONCENTRIC			N/A		
Max. Single Vent Run (straight pipe)		43 ft.			N/A		
Approved Venting Manufacturer		Metal Fab, Rainbow, UBBINK					
Manifold Controls (max. units)		6 Units ³					
Controls		Built-in digital display			External Remote (Included)		
Power Supply		120V 60Hz					
Max. Power Consumption		85W (Normal use), 0.7 Amps 132W (Antifreeze), 1.1 Amps 3.5W (Standby), 0.03 Amps ⁴					
Gas Connection		3/4" NPT					
Hot Water Connection		3/4" NPT					
Cold Water Connection		3/4" NPT					

All models are available in Natural Gas or Propane (LP). For Propane replace the N with P for LP model.

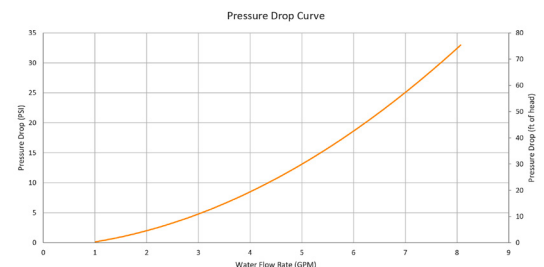
RUTG Series Models

Indoor & Outdoor Models
11,000-199,900 BTU/h
Natural Gas and
Liquid Propane Models*

*Swap P for N in model number for Liquid Propane model



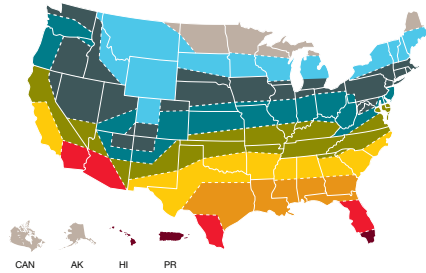
Clearances	
Top / Bottom	12"
Front	1/2" ⁵
Sides	1/2"
Back / From Vent Pipe	0"



¹ Based on simultaneous showers using 2.0 GPM flow rate pre-mixed with cold water line. Flow rates vary depending on temperature of incoming cold water and water heater set temperature. Refer to 9 zone ground water temperature map for accurate sizing. ² For indoor application, this is the temperature of outdoor intake air. ³ Manifolds with standard RJ11 communication cables. ⁴ If anti freeze is on and combustion is on, total W will be 217W (85+132). ⁵ Recommended 24" clearance for service.



U.S. Ground Water Temperature Zone Map



Average Flow Rates (GPM) by Application

Low Flow Faucet	0.5
Bathroom Faucet	1
Kitchen Faucet	1.5
Shower	2
Dishwasher	2
Washing Machine	3

Flow rates may vary.

Flow Rate Capacity Table by Zone (Gallons Per Minute - GPM)

Use the U.S. Ground Water Temperature Map to locate your zone. Then use the Flow Rate Capacity Table to determine model flow rate by zone. Flow rates calculated for tankless set temperature of 120°F with a mixed shower temperature of 105°F. Ground water temperatures vary seasonally.

MODEL #	Zone 1 37°F	Zone 2 42°F	Zone 3 47°F	Zone 4 52°F	Zone 5 57°F	Zone 6 62°F	Zone 7 67°F	Zone 8 72°F	Zone 9 77°F
RUTG-95	4.0	4.3	4.6	4.9	5.3	5.7	6.3	6.9	7.7
RUTG-84	3.6	3.8	4.1	4.4	4.8	5.2	5.7	6.3	7.0
RUTG-70	3.2	3.4	3.7	3.9	4.2	4.6	5.0	5.6	6.2

Venting

SINGLE UNIT: MAX. EQUIVALENT VENT LENGTHS - STRAIGHT PIPE	
Number of 90° Elbows	Max Length 3" / 5" straight pipe
0	43 ft. (13.1 m)
1	41.5 ft. (12.6 m)
2	38.5 ft. (12.2 m)
3	34 ft. (11.7 m)
4	28 ft. (11.3 m)
5	20.5 ft. (10.8 m)
6	11.5 ft. (10.4 m)

Equivalent Ft. of Elbows	
	3"/5"
90° Elbow	1.6 ft.
45° Elbow	9 in.

Venting Materials Allowed: 3-in./5-in. (7.6-cm/12.7-cm) UL-approved Category III Stainless Steel vent materials or water heater manufacturer-approved vent material (MetalFab, UBBINK, and Rainbow)

Min. Vent Length Straight Pipe	
Number of 90° Elbows	Min. Length 3"/5" pipe
1	1.0 ft (0.3 m)

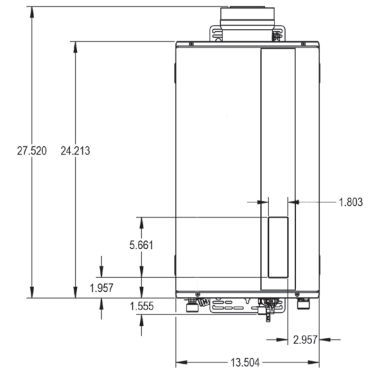
Hanging bracket is included with water heater.

Parts & Accessories

Recirculation Pump	Pipe Cover	Horizontal Vent Termination Twin Pipe System	Concentric Vent Termination Twin Pipe System	AllClear® Water Treatment System	Isolation Valve Kit	Manifold Cables
AP17920	RTG20330AJ	RTG20231-2	RTG20211	RTG20251	RTG20326	RCPN-AMP03-0013111101-0003 (48")

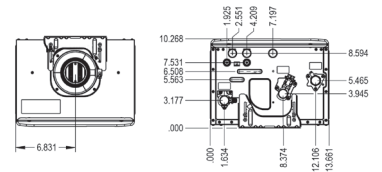
In keeping with its policy of continuous progress and product improvement, Ruud reserves the right to make changes without notice.

INDOOR DIRECT VENT

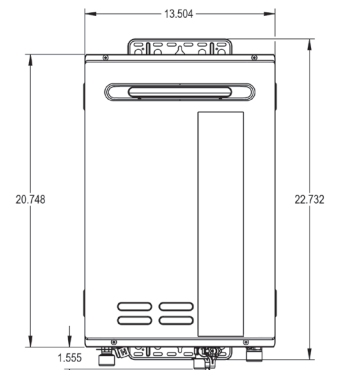


TOP VIEW

BOTTOM VIEW



OUTDOOR



TOP VIEW

BOTTOM VIEW

