



Ruud® Commercial Tankless Water Heater

- Various common venting options, including PVC and Polypropylene
- PVC Vent runs up to 70' (2"), 150' (3")
- Easy set up with full text digital display and no dip-switches
- Field gas convertible from natural gas to LP - conversion kit included
- Allows flex venting through existing B-vent up to 50'
- Manifold capable up to 32 units

Key Features

- Up to 98% thermal efficiency
- Stainless steel Primary and Secondary heat exchangers provide increased efficiency and durability

- **NEW!** Modular Rack System with easy build-on-site solution and pre-sized water/gas line manifold configurations. Available in back-to-back or in-line options for up to 8 units. See modular table for more details.

- **Ruud® Exclusive!** Hot-start programming™ ensures the unit is in a ready state between back-to-back usage, avoiding any cold water bursts

Plus...

- Built-in Recirculation pump for no wait continuous hot water at the tap (CSR models)
- Built-in EcoNet® Wi-Fi technology for direct control from your device
- LeakGuard® - All-inclusive leak detection and prevention system that detects any internal leak that comes from the unit.
- 8-year Heat Exchanger Warranty



RUTGH-CS/SR Models

Indoor Models
(Outdoor Conversion Kit Available, for Outdoor Installs, Order **RTGH-SX** with Unit)
11,000-199,900 BTU/h
Natural Gas/LP Convertible



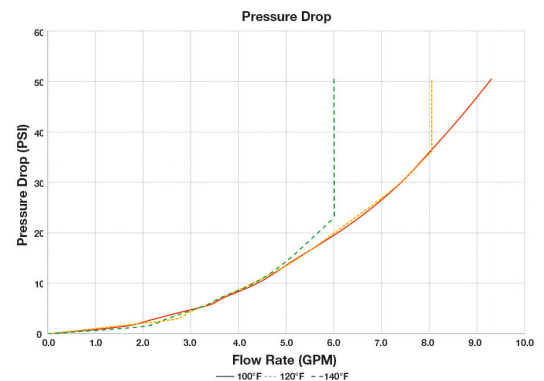
Specifications

Rheem Model Number		RUTGH-CS11i
Gas Input Rate	MAX	199,900 BTU/h
	MIN	11,000 BTU/h
Uniform Energy Factor (UEF)		0.96
Hot Water Flow Rate Capacity – Gallons Per Minute (GPM)	MAX (35°F)	11.2
	45°F Rise	8.8
	67°F Rise	5.9
Temp. Range		85°F - 185°F
Temp. Setting from Factory		120°F
Maximum Inlet Return Temperature		140°F*
Installation Type		Indoor (Outdoor Conversion Kit sold separately: RTGH-SX)
Fuel Type		Compatible with Natural Gas and LP (ships NG with LP conversion kit included)
Heat Exchanger Material		Primary: Stainless Steel – Secondary: Stainless Steel
Minimum Activation Flow		0.4 GPM
Minimum Continuous Flow		0.26 GPM
Maximum Altitude		10,200 ft.
Ultra Low NOx		Meets 14 ng/J NOx requirements – SCAQMD Rule 1146.2 compliant
Warranty		8 Year Heat Exchanger 5-Year Parts 1-Year Labor

CLEARANCES	
Top / Bottom	12"
Front	1/2" ⁵
Sides	1/2"
Back / From Vent Pipe	0"

RECIRCULATION LENGTH (CSR MODELS)	
Pipe Diameter	Max. Recirculation Loop
3/4"	400 ft.
1/2"	100 ft.

Model Number	RUTGH-CS	RUTGH-CSR
Height	28-9/16"	
Width	17-5/16"	
Depth	13-11/16"	
Weight	77.6lbs	86lbs
Venting Diam. Allowed	2" / 3"	
Max. Single Vent Run (straight pipe)	70 ft (2")/ 150 ft (3")	
Venting Materials	Sched. 40 PVC, CPVC, Polypropylene	
Common Venting (max. units)	12 units	
Flex Venting	Allowed: 2" up to 50'	
Manifold Controls (max. units)	Up to 32 units without external control required ³	
Controls	Built-in digital display with full-text menus and Wi-Fi	
Power Supply	120V 60Hz	
Max. Power Consumption	85W (Normal use), 0.7Amps 132W (Anti freeze only), 1.1Amps 3.5W (Standby), 0.03Amps ⁴	100W (Normal use), 0.83Amps 200W (Anti freeze), 1.67Amps 3.5W (Standby), 0.03Amps ⁴
Gas Connection	3/4" NPT	
Hot Water Connection	3/4" NPT	
Dedicated Recirc. Return (CSR Models)	3/4" NPT	
Cold Water Connection	3/4" NPT	
Condensate Connection	1/2" NPT	
Vent Connections Diameter	2" Band Connections (Adapter required to vent with 3" PVC from unit)	



*When in recirculation, max temperature is 140°F. Set point remains above 140°F for standard demand.

Approved for installations in Manufactured Home (Mobile Home) environments

¹Based on simultaneous showers using 2 GPM flow rate pre-mixed with cold water line. Flow rates vary depending on temperature of incoming cold water and water heater set temperature. Refer to capacity table by zone for accurate sizing. ²For indoor application, this is the temperature of outdoor intake air.

³Manifolds with standard RJ25 communication cables. ⁴If anti freeze is on and combustion is on, total W will be 217W (85+132) for CS models and 300W (100+200) for CSR models. ⁵Recommended 24" clearance for service.



Ruud® Commercial Tankless Max Vent Length (ft) (PP or PVC)

VENT SIZE		3"	4"	6"
Max. Units	2	60	150	170
	3	40	150	170
	4	30	70	170
	5	25	45	170
	6		35	170
	7		30	170
	8		25	170
	9			95
	10			95
	11			50
	12			50

Venting

SINGLE UNIT: MAX. EQUIVALENT VENT LENGTHS - STRAIGHT PIPE		
Number of 90° Elbows	Max Length 2" straight pipe	Max. length 3" straight pipe
0	70 ft. (21.3 m)	150 ft. (45.7 m)
1	64 ft. (19.5 m)	145 ft. (44.2 m)
2	58 ft. (17.7 m)	140 ft. (42.7 m)
3	52 ft. (15.8 m)	135 ft. (41.1 m)
4	46 ft. (14.0 m)	130 ft. (39.6 m)
5	40 ft. (12.2 m)	125 ft. (38.1 m)
6	34 ft. (10.4 m)	120 ft. (36.6 m)

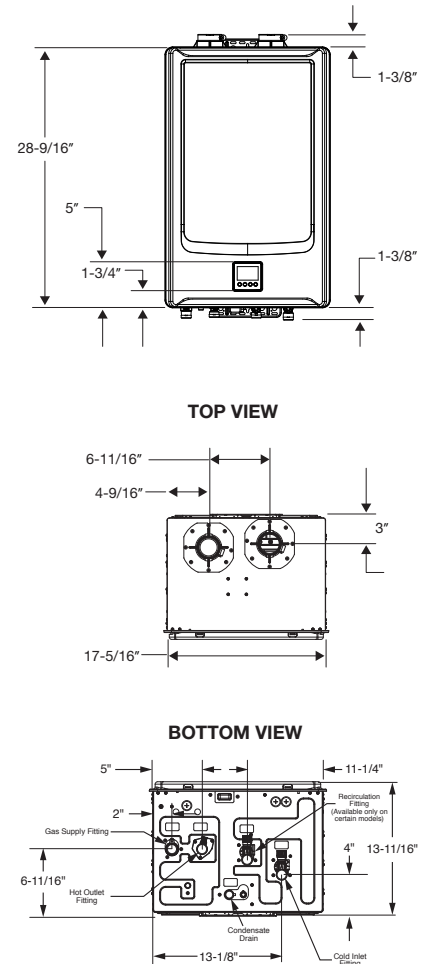
EQUIVALENT FT. OF ELBOWS		
	2" Pipe	3" Pipe
90° Elbow	6 ft (1.83 m)	5 ft (1.52 m)
45° Elbow	3 ft. (0.9 m)	2.5 ft. (0.75 m)

Venting Materials Allowed: Schedule 40 PVC, CPVC, Polypropylene

MIN. VENT LENGTH STRAIGHT PIPE	
Number of 90° Elbows	Min. Length 2" 3" pipe
1	1.0 ft (0.3 m)

SINGLE UNIT: MAX. FLEX VENTING	
Max Length 2" flex vent	
50 ft.	

Dimensions



Hanging bracket, bird screens, LP gas conversion kit are included with water heater.

Parts & Accessories

Multi-unit Condensate Neutralizer	Condensate Neutralizer	Flex Vent Kit	Pipe Cover	Horizontal Vent Termination	Concentric Vent Termination	AllClear® Water Treatment System	Isolation Valve Kit	Manifold Cables	Outdoor Conversion Kit	Crossover Valve
RTG20372	RTG20329AR (optional)	SP21091	RTG20322	2" US: SP21069G 3" US: SP21069E	2" - SP20897 3" - SP20245	RTG20251	RTG20326	RCPN-AMP03-0013111101-0003 (48')	RTGH-SX	RTG20285

Modular Rack System and Accessories

Rack System for DIY On-Site Assembly

Modular Rack	Rack Add-on Extension	4x4 Manifold Kit (4BB)	4x0 Manifold Kit (4SS)	3x0 Manifold Kit (3SS)	2x2 Manifold Kit (2BB)	2x0 Manifold Kit (2SS)
AP24551	AP24552	AP24553	AP24554	AP24555	AP24556	AP24557

In keeping with its policy of continuous progress and product improvement, Ruud reserves the right to make changes without notice.